

High Power Resistive Products



Resistors

AVX introduces its line of High Power Resistive Products. All products are designed and manufactured at our ISO 9001 Facilities.

ELECTRICAL SPECIFICATIONS

Resistance: 50 and 100 Ω standard (10 Ω - 200 Ω available)

Resistance Tolerance: $\pm 5\%$ standard ($\pm 2\%$ available)

Power: 2 Watts through 250 Watts

Operating Temperature Range: -55°C to $+150^{\circ}\text{C}$

Temperature Coefficient: < 150 ppm/ $^{\circ}\text{C}$

Low Capacitance



MECHANICAL SPECIFICATIONS

Package: Surface Mount Chips, Chips, Leaded Chips, Flanged

Substrate Material: Aluminum Nitride

Process: Thin Film

Resistive Material: Tantalum

Terminals: Silver

Cover: Alumina

Mounting Flange: 100% Cu, Ni or Ag Plated

Mechanical Tolerance: ± 0.13 (0.005)

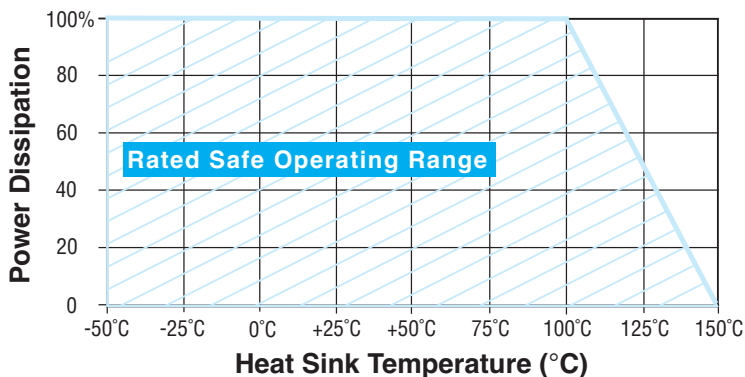
SMT and Chip products, supplied on Tape and Reel

Non-Magnetic (exception RP4 and RP5 Style Surface Mount Resistors)

RoHS Compliant



POWER DERATING



High Power Resistive Products



Resistors

FLANGE MOUNT RESISTORS

GENERAL SPECIFICATIONS

Resistance: 50 and 100 Ω standard
(contact factory for custom resistance values)

Resistive Tolerance: $\pm 5\%$ standard ($\pm 2\%$ available)

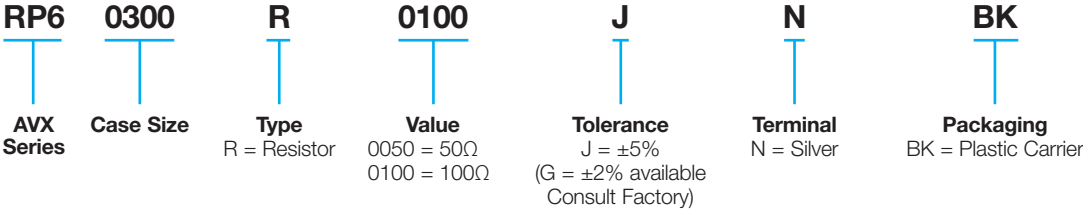
Power: 20-250 Watts

Capacitance: 1.0 pF

Operating Temperature Range: -55°C to $+150^{\circ}\text{C}$

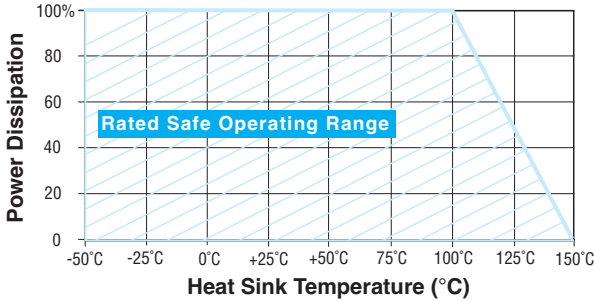
Temperature Coefficient: <150 ppm/ $^{\circ}\text{C}$

HOW TO ORDER



Contact factory for custom ratings and sizes.

POWER DERATING



High Power Resistive Products



Resistors

FLANGE MOUNT RESISTOR – P/N: RP60300RXXXXJNBK

ELECTRICAL SPECIFICATIONS

Resistance: 50 and 100 Ω standard
(other resistance values available)

Resistive Tolerance: $\pm 5\%$ standard ($\pm 2\%$ available)

Power: 20 Watts

Capacitance: 1.0 pF

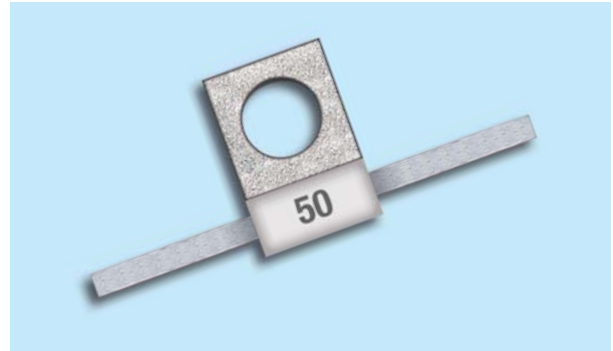
Operating Temperature Range: -55°C to $+150^{\circ}\text{C}$

Temperature Coefficient: <150 ppm/ $^{\circ}\text{C}$

Tabs: Silver

RoHS Compliant

Non-Magnetic available



mm (inches)

FLANGE MOUNT RESISTOR – P/N: RP60302RXXXXJNBK

ELECTRICAL SPECIFICATIONS

Resistance: 50 and 100 Ω standard
(other resistance values available)

Resistive Tolerance: $\pm 5\%$ standard ($\pm 2\%$ available)

Power: 20 Watts

Capacitance: 1.0pF

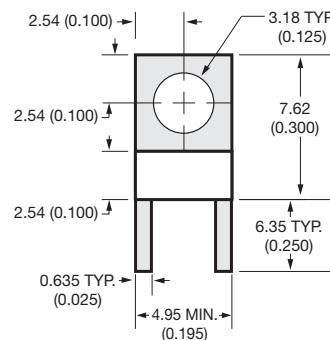
Operating Temperature Range: -55°C to $+150^{\circ}\text{C}$

Temperature Coefficient: <150 ppm/ $^{\circ}\text{C}$

Tabs: Silver

RoHS Compliant

Non-Magnetic available



mm (inches)

For Part Number Code, see page 8.



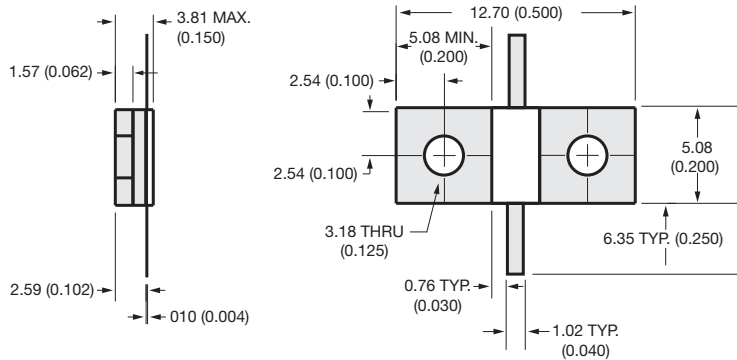
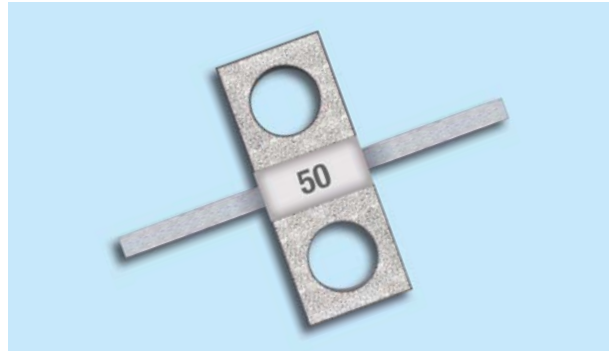
High Power Resistive Products



Resistors

FLANGE MOUNT RESISTOR – P/N: RP60500RXXXXJNBK ELECTRICAL SPECIFICATIONS

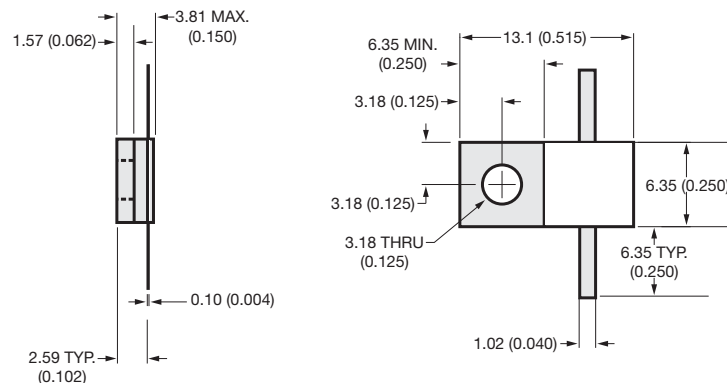
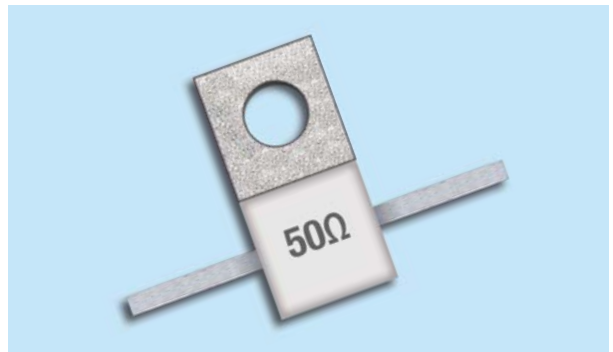
- Resistance:** 50 and 100 Ω standard
(other resistance values available)
- Resistive Tolerance:** $\pm 5\%$ standard ($\pm 2\%$ available)
- Power:** 25 Watts
- Capacitance:** 1.0pF
- Operating Temperature Range:** -55°C to $+150^{\circ}\text{C}$
- Temperature Coefficient:** <150 ppm/ $^{\circ}\text{C}$
- Tabs:** Silver
- RoHS Compliant**
- Non-Magnetic available**



mm (inches)

FLANGE MOUNT RESISTOR – P/N: RP60515RXXXXJNBK ELECTRICAL SPECIFICATIONS

- Resistance:** 50 and 100 Ω standard
(other resistance values available)
- Resistive Tolerance:** $\pm 5\%$ standard ($\pm 2\%$ available)
- Power:** 60 Watts
- Capacitance:** 2.0 pF
- Operating Temperature Range:** -55°C to $+150^{\circ}\text{C}$
- Temperature Coefficient:** <150 ppm/ $^{\circ}\text{C}$
- Tabs:** Silver
- RoHS Compliant**
- Non-Magnetic available**



mm (inches)

For Part Number Code, see page 8.



High Power Resistive Products



Resistors

FLANGE MOUNT RESISTOR – P/N: RP60517RXXXJNBK ELECTRICAL SPECIFICATIONS

- Resistance:** 50 and 100 Ω standard
(other resistance values available)
- Resistive Tolerance:** $\pm 5\%$ standard ($\pm 2\%$ available)
- Power:** 60 Watts
- Capacitance:** 2.2 pF
- Operating Temperature Range:** -55°C to $+150^{\circ}\text{C}$
- Temperature Coefficient:** <150 ppm/ $^{\circ}\text{C}$
- Tabs:** Silver
- RoHS Compliant**
- Non-Magnetic available**



mm (inches)

FLANGE MOUNT RESISTOR – P/N: RP60560RXXXJNBK ELECTRICAL SPECIFICATIONS

- Resistance:** 50 and 100 Ω standard
(other resistance values available)
- Resistive Tolerance:** $\pm 5\%$ standard ($\pm 2\%$ available)
- Power:** 75 Watts
- Capacitance:** 4.15 pF
- Operating Temperature Range:** -55°C to $+150^{\circ}\text{C}$
- Temperature Coefficient:** <150 ppm/ $^{\circ}\text{C}$
- Tabs:** Silver
- RoHS Compliant**
- Non-Magnetic available**



mm (inches)

For Part Number Code, see page 8.



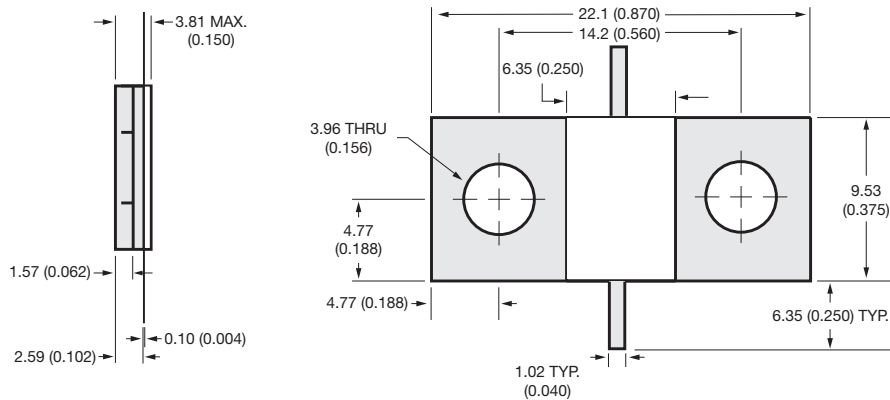
High Power Resistive Products



Resistors

FLANGE MOUNT RESISTOR – P/N: RP60870RXXXXJNBK ELECTRICAL SPECIFICATIONS

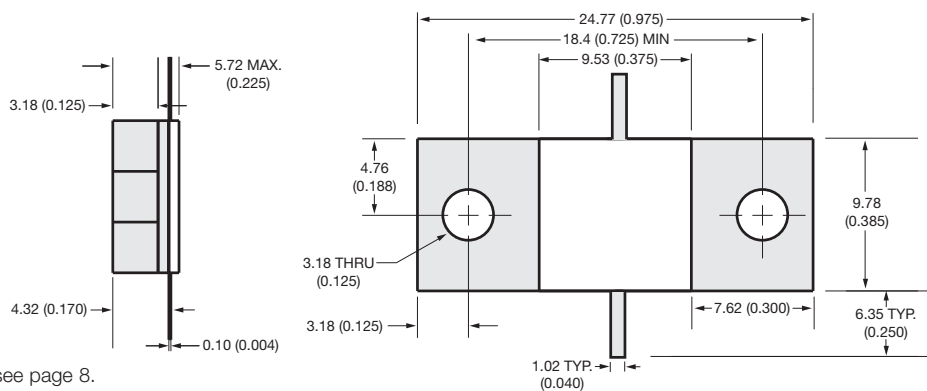
- Resistance:** 50 and 100 Ω standard
(other resistance values available)
- Resistive Tolerance:** $\pm 5\%$ standard ($\pm 2\%$ available)
- Power:** 150 Watts
- Capacitance:** 4.15 pF
- Operating Temperature Range:** -55°C to $+150^{\circ}\text{C}$
- Temperature Coefficient:** <150 ppm/ $^{\circ}\text{C}$
- Tabs:** Silver
- RoHS Compliant**
- Non-Magnetic available**



mm (inches)

FLANGE MOUNT RESISTOR – P/N: RP60975RXXXXJNBK ELECTRICAL SPECIFICATIONS

- Resistance:** 50 and 100 Ω standard
(other resistance values available)
- Resistive Tolerance:** $\pm 5\%$ standard ($\pm 2\%$ available)
- Power:** 250 Watts
- Capacitance:** 6.5 pF
- Operating Temperature Range:** -55°C to $+150^{\circ}\text{C}$
- Temperature Coefficient:** <150 ppm/ $^{\circ}\text{C}$
- RoHS Compliant**
- Non-Magnetic available**



mm (inches)

For Part Number Code, see page 8.



High Power Resistive Products



Resistors

FLANGE MOUNT RESISTOR – P/N: RP60562RXXXJNBK

ELECTRICAL SPECIFICATIONS

Resistance: 50 and 100 Ω standard
(other resistance values available)

Resistive Tolerance: $\pm 5\%$ standard ($\pm 2\%$ available)

Power: 75 Watts

Capacitance: 4.15 pF

Operating Temperature Range: -55°C to $+150^{\circ}\text{C}$

Temperature Coefficient: <150 ppm/ $^{\circ}\text{C}$

Tabs: Silver

RoHS Compliant

Non-Magnetic available



mm (inches)

FLANGE MOUNT RESISTOR – P/N: RP60800RXXXJNBK

ELECTRICAL SPECIFICATIONS

Resistance: 50 and 100 Ω standard
(other resistance values available)

Resistive Tolerance: $\pm 5\%$ standard ($\pm 2\%$ available)

Power: 100 Watts

Capacitance: 3.10 pF

Operating Temperature Range: -55°C to $+150^{\circ}\text{C}$

Temperature Coefficient: <150 ppm/ $^{\circ}\text{C}$

Tabs: Silver

RoHS Compliant

Non-Magnetic available



mm (inches)

For Part Number Code, see page 8.



Стандарт Электрон Связь

Мы молодая и активно развивающаяся компания в области поставок электронных компонентов. Мы поставляем электронные компоненты отечественного и импортного производства напрямую от производителей и с крупнейших складов мира.

Благодаря сотрудничеству с мировыми поставщиками мы осуществляем комплексные и плановые поставки широчайшего спектра электронных компонентов.

Собственная эффективная логистика и склад в обеспечивает надежную поставку продукции в точно указанные сроки по всей России.

Мы осуществляем техническую поддержку нашим клиентам и предпродажную проверку качества продукции. На все поставляемые продукты мы предоставляем гарантию .

Осуществляем поставки продукции под контролем ВП МО РФ на предприятия военно-промышленного комплекса России , а также работаем в рамках 275 ФЗ с открытием отдельных счетов в уполномоченном банке. Система менеджмента качества компании соответствует требованиям ГОСТ ISO 9001.

Минимальные сроки поставки, гибкие цены, неограниченный ассортимент и индивидуальный подход к клиентам являются основой для выстраивания долгосрочного и эффективного сотрудничества с предприятиями радиоэлектронной промышленности, предприятиями ВПК и научно-исследовательскими институтами России.

С нами вы становитесь еще успешнее!

Наши контакты:

Телефон: +7 812 627 14 35

Электронная почта: sales@st-electron.ru

Адрес: 198099, Санкт-Петербург,
Промышленная ул, дом № 19, литера Н,
помещение 100-Н Офис 331