

# MAX17572 5V Output Evaluation Kit

# Evaluates: MAX17572 in 5V Output-Voltage Application

## General Description

The MAX17572 5V output evaluation kit (EV kit) provides a proven design to evaluate the MAX17572 high-voltage, high-efficiency, synchronous step-down DC-DC converter. The EV kit is preset for 5V output at load currents up to 1A and features a 500kHz switching frequency for optimum efficiency and component size. The EV kit features adjustable input undervoltage-lockout, adjustable soft-start, open-drain  $\overline{\text{RESET}}$  signal, and external frequency synchronization.

## Features

- Operates From a 6V to 60V Input Supply
- 5V Output Voltage
- Up to 1A Output Current
- 500kHz Switching Frequency
- Enable/UVLO Input, Resistor-Programmable UVLO Threshold
- Adjustable Soft-Start Time
- Open-Drain  $\overline{\text{RESET}}$  Output
- External Frequency Synchronization
- Overcurrent and Overtemperature Protection
- Proven PCB Layout
- Fully Assembled and Tested

[Ordering Information](#) appears at end of data sheet.

## Quick Start

### Recommended Equipment

- MAX17572 5V output EV kit
- 6V to 60V, 2A DC input power supply
- Load capable of sinking 1A
- Digital voltmeter (DVM)

### Procedure

The EV kit is fully assembled and tested. Follow the steps below to verify the board operation. **Caution: Do not turn on power supply until all connections are completed.**

- 1) Set the power supply at a voltage between 6V and 60V. Disable the power supply.
- 2) Connect the positive terminal of the power supply to the  $V_{\text{IN}}$  PCB pad and the negative terminal to the nearest PGND PCB pad. Connect the positive terminal of the 1A load to the  $V_{\text{OUT}}$  PCB pad and the negative terminal to the nearest PGND PCB pad.
- 3) Connect the DVM across the  $V_{\text{OUT}}$  PCB pad and the nearest PGND PCB pad.
- 4) Verify that shunts are installed across pins 1-2 on jumper JU1 (see [Table 1](#) for details).
- 5) Turn on the DC power supply.
- 6) Enable the load.
- 7) Verify that the DVM displays 5V

**Detailed Description of Hardware**

The MAX17572 5V output EV kit provides a proven design to evaluate the MAX17572 high-voltage, high efficiency, synchronous step-down DC-DC converter. The EV kit is preset for 5V output from 6V to 60V input at load currents up to 1A and features a 500kHz switching frequency for optimum efficiency and component size. The EV kit includes an EN/UVLO PCB pad and jumper JU1 to enable the output at a desired input voltage. An additional RESET PCB pad is available for monitoring whether the converter output is in regulation.

**Soft-Start Capacitor Selection**

The device implements adjustable soft-start operation to reduce inrush current. A capacitor connected from the SS pin to GND programs the soft-start time. The selected output capacitance (C<sub>SEL</sub>) and the output voltage (V<sub>OUT</sub>) determine the minimum required soft-start capacitor as follows:

$$C_{SS} \geq 56 \times 10^{-6} \times C_{SEL} \times V_{OUT}$$

The soft-start time (t<sub>SS</sub>) is related to the capacitor connected at SS (C<sub>SS</sub>) by the following equation:

$$t_{SS} = \frac{C_{SS}}{5.55 \times 10^{-6}}$$

For example, to program a 2ms soft-start time, a 12nF capacitor should be connected from the SS pin to GND.

**Setting the Undervoltage-Lockout Level**

The device offers an adjustable input undervoltage-lockout level. Set the voltage at which the device turns on with a resistive voltage-divider connected from V<sub>IN</sub> to SGND.

Connect the center node of the divider to EN/UVLO. Choose R1 to be 3.3MΩ and then calculate R2 as follows:

$$R2 = \frac{1.215 \times R1}{(V_{INU} - 1.215)}$$

where V<sub>INU</sub> is the voltage at which the device is required to turn on. Ensure that V<sub>INU</sub> is higher than 0.8 x V<sub>OUT</sub>.

If the EN/UVLO pin is driven from an external signal source, a series resistance of minimum 1kΩ is recommended to be placed between the signal source output and the EN/UVLO pin, to reduce voltage ringing on the line.

**Adjusting Output Voltage**

Set the output voltage with a resistive voltage-divider connected from the positive terminal of the output capacitor (V<sub>OUT</sub>) to SGND. Connect the center node of the divider to the FB pin. Use the following procedure to choose the resistive voltage-divider values:

Calculate resistor R4 from the output to the FB pin as follows:

$$R3 = \frac{1850}{C_{OUT\_SEL}}$$

Where C<sub>OUT\_SEL</sub> (in μF) is the actual derated value of the output capacitance used and R3 is in kΩ. The minimum allowable value of R3 is (5.6 x V<sub>OUT</sub>), where R3 is in kΩ. If the value of R3 calculated using the above equation is less than (5.6 x V<sub>OUT</sub>), increase the value of R3 to at least (5.6 x V<sub>OUT</sub>).

$$R4 = \frac{R3 \times 0.9}{(V_{OUT} - 0.9)}$$

R3 is in kΩ.

**Table 1. TBD**

SHUNT POSITION	EN/UVLO PIN	MAX17572_OUTPUT
1-2*	Connected to VIN	Enabled
Not installed	Connected to the center node of resistor-divider R1 and R2	Enabled, UVLO level set through the R1 and R2 resistors
2-3	Connected to SGND	Disabled

# MAX17572 5V Output Evaluation Kit

# Evaluates: MAX17572 in 5V Output-Voltage Application

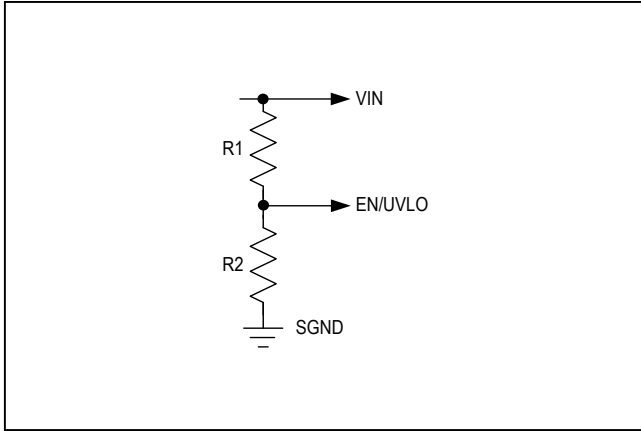


Figure 1. Setting the Input Undervoltage Lockout

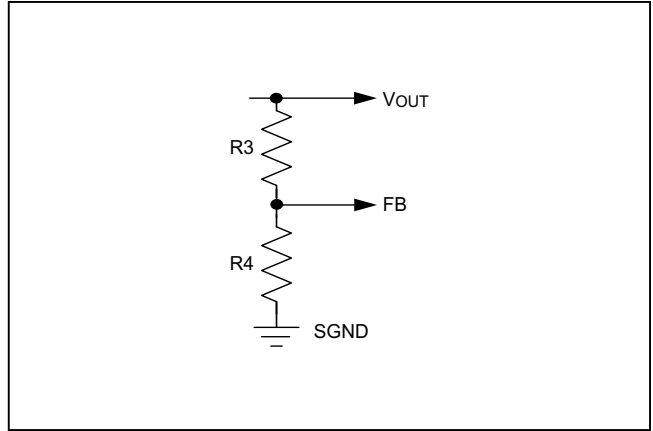
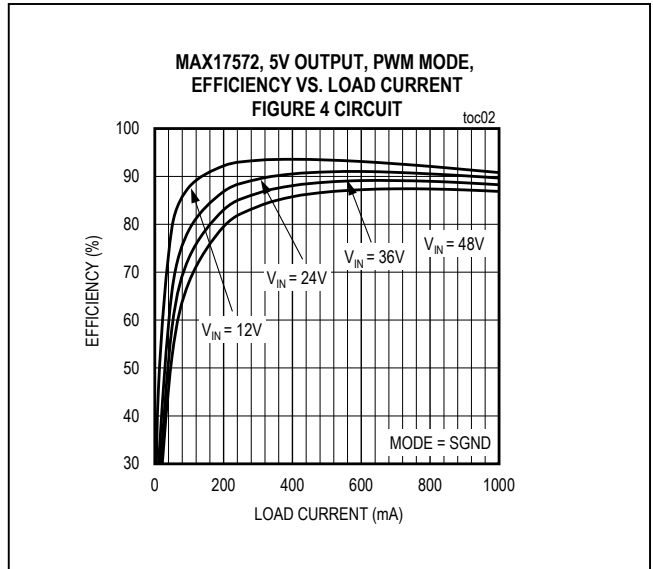
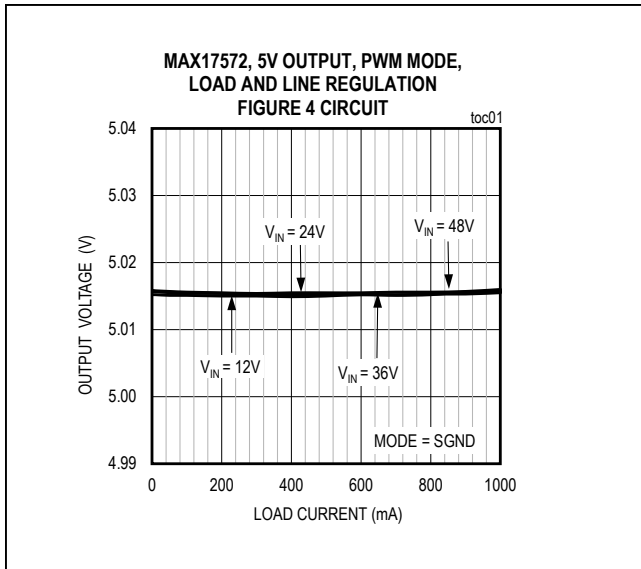
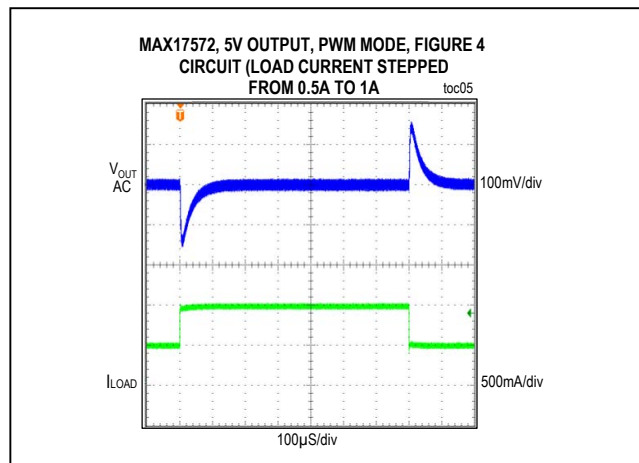
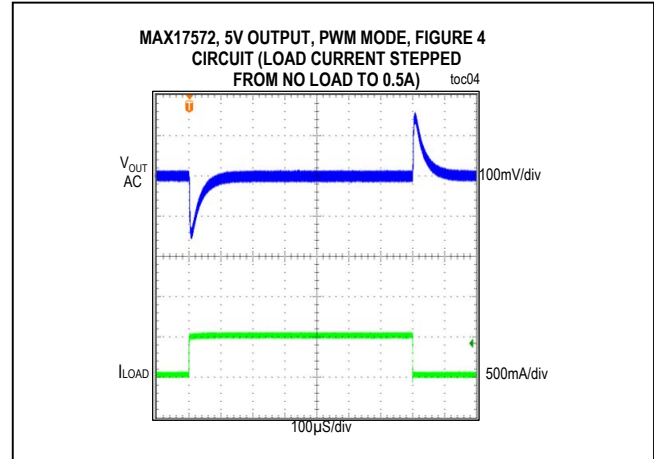
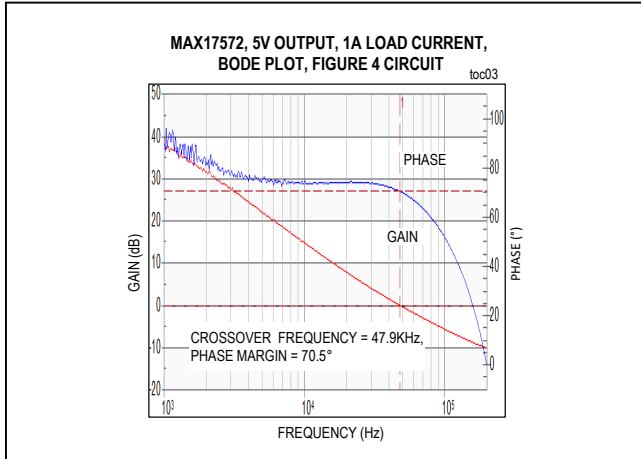


Figure 2. Adjusting Output Voltage

## EV Kit Performance Report



EV Kit Performance Report (continued)



Component Suppliers

SUPPLIER	WEBSITE
Coilcraft, Inc.	<a href="http://www.coilcraft.com">www.coilcraft.com</a>
Murata Americas	<a href="http://www.murata.com">www.murata.com</a>
Panasonic Corp.	<a href="http://www.panasonic.com">www.panasonic.com</a>
Vishay	<a href="http://www.vishay.com">www.vishay.com</a>
Onsemi	<a href="http://www.onsemi.com">www.onsemi.com</a>

**Note:** Indicate that you are using the MAX17572 when contacting these component suppliers.

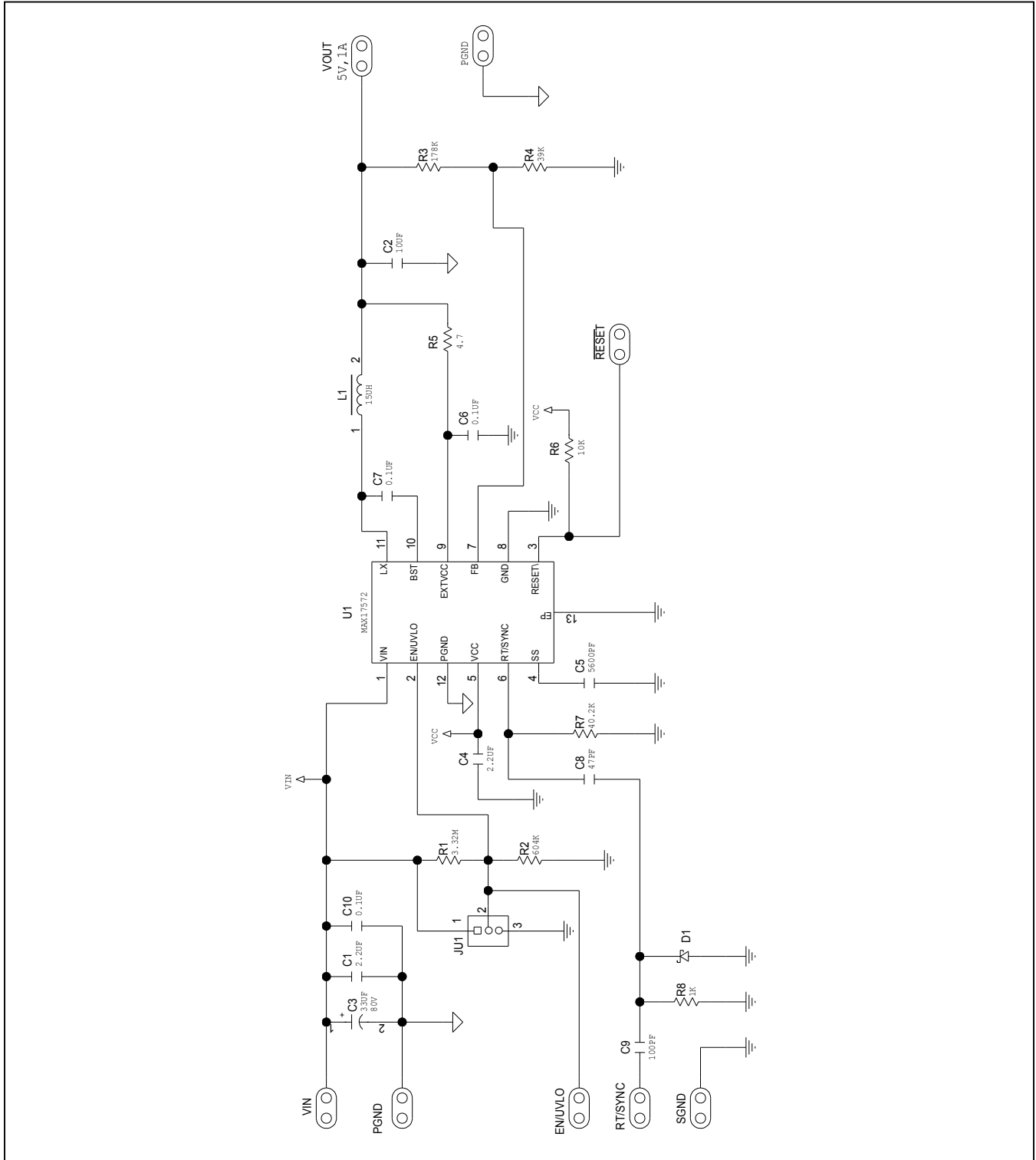
Ordering Information

PART	TYPE
MAX17572EVKITB#	EV KIT

## MAX17572 EV System Bill of Materials

NO.	DESCRIPTION	QUANTITY	DESIGNATOR	PART NUMBER
1	2.2uF 10%, 100V ,X7R, Ceramic capacitor (1210)	1	C1	MURATA GRM32ER72A225KA35
2	10uF 10%, 10V ,X7R, Ceramic capacitor (1210)	1	C2	MURATA GRM32DR71A106KA01
3	33uF,20%,80V, ELECT,10mm	1	C3	PANASONIC EEE-FK1K330P
4	1uF 10%, 6.3V ,X7R, Ceramic capacitor (0603)	1	C4	MURATA GRM188R70J105KA01
5	5600pF,10%,50V,X7R,0402, Ceramic capacitor(0402)	1	C5	KEMET C0402C562K5RAC
6	0.1uF,10%,50V,X7R, Ceramic capacitor(0402)	2	C6,C7	MURATA GRM155R71H104KE14
7	47pF,10%,50V,X7R,0402, Ceramic capacitor(0402)	1	C8	MURATA GRM1555C1H470JA01
8	100pF,10%,50V,X7R,0402, Ceramic capacitor(0402)	1	C9	KEMET C0402C101K5GAC, TDKC1005C0G1H101K050BA
9	0.1uF,10%,100V,X7R,0603, Ceramic capacitor(0603)	1	C10	MURATA GRM188R72A104KA35
10	Diode PIV=20V; IF=0.5A	1	D1	ON SEMICONDUCTOR NSR05F20NXT5G
11	3-pin header (36-pin header 0.1" centers )	1	JU1	Sullins: PTC36SAAN
12	INDUCTOR, 15uH, 2.8A	1	L1	COILCRAFT XAL4040-153ME
13	RES+,3.32MOHM,1%,0402	1	R1	
14	RES+,604K OHM,1%,0402	1	R2	
15	RES+,178K OHM,1%,0402	1	R3	
16	RES+, 39KOHM,1%,0402	1	R4	
17	RES+, 4.7OHM,1%,0402	1	R5	
18	RES+,100K OHM,1%,0402	1	R6	
19	RES+,40.2K OHM,1%,0402	1	R7	
20	RES+,1K OHM,1%,0402	1	R8	
21	Buck Converter MAX17572ATJ+	1	U1	MAX17572ATJ+
22	3 pin headers	1	See Jumper Table1	SULLINS STC02SYAN

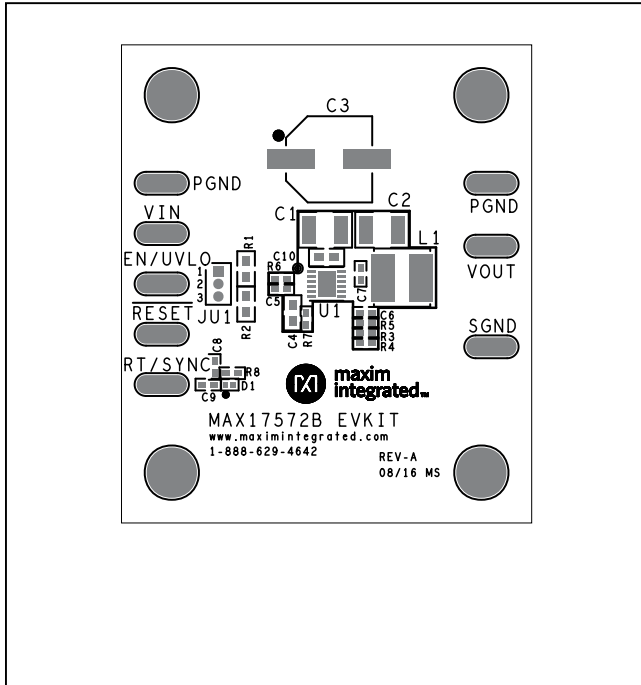
MAX17572 EV System Schematic



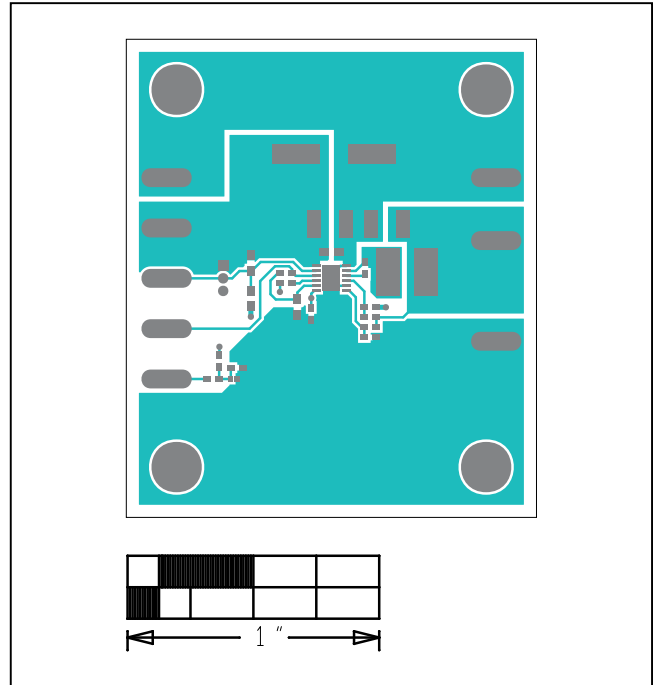
# MAX17572 5V Output Evaluation Kit

Evaluates: MAX17572 in 5V Output-Voltage Application

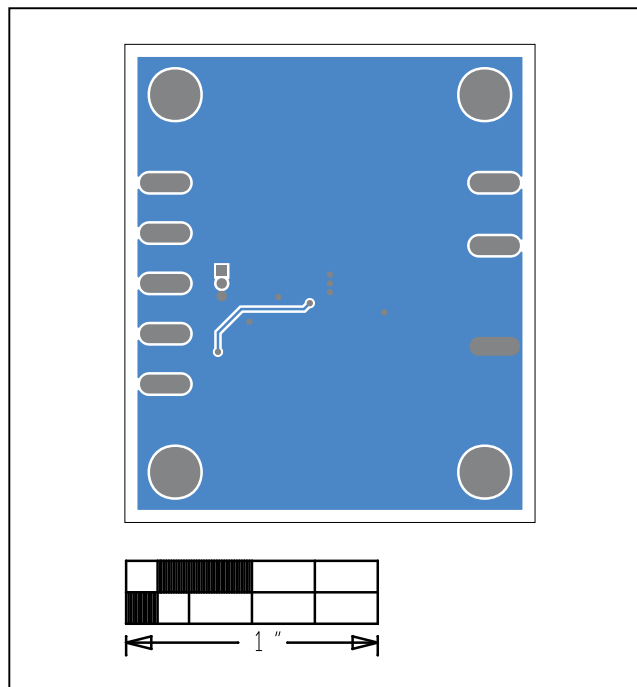
## MAX17572 EV System PCB Layout



MAX17572 5V EV Kit—Top Silkscreen



MAX17572 5V EV Kit—Top



MAX17572 5V EV Kit—Bottom

### Revision History

REVISION NUMBER	REVISION DATE	DESCRIPTION	PAGES CHANGED
0	9/16	Initial release	—

For pricing, delivery, and ordering information, please contact Maxim Direct at 1-888-629-4642, or visit Maxim Integrated's website at [www.maximintegrated.com](http://www.maximintegrated.com).

*Maxim Integrated cannot assume responsibility for use of any circuitry other than circuitry entirely embodied in a Maxim Integrated product. No circuit patent licenses are implied. Maxim Integrated reserves the right to change the circuitry and specifications without notice at any time.*





**Стандарт  
Электрон  
Связь**

Мы молодая и активно развивающаяся компания в области поставок электронных компонентов. Мы поставляем электронные компоненты отечественного и импортного производства напрямую от производителей и с крупнейших складов мира.

Благодаря сотрудничеству с мировыми поставщиками мы осуществляем комплексные и плановые поставки широчайшего спектра электронных компонентов.

Собственная эффективная логистика и склад в обеспечивает надежную поставку продукции в точно указанные сроки по всей России.

Мы осуществляем техническую поддержку нашим клиентам и предпродажную проверку качества продукции. На все поставляемые продукты мы предоставляем гарантию .

Осуществляем поставки продукции под контролем ВП МО РФ на предприятия военно-промышленного комплекса России , а также работаем в рамках 275 ФЗ с открытием отдельных счетов в уполномоченном банке. Система менеджмента качества компании соответствует требованиям ГОСТ ISO 9001.

Минимальные сроки поставки, гибкие цены, неограниченный ассортимент и индивидуальный подход к клиентам являются основой для выстраивания долгосрочного и эффективного сотрудничества с предприятиями радиоэлектронной промышленности, предприятиями ВПК и научно-исследовательскими институтами России.

С нами вы становитесь еще успешнее!

**Наши контакты:**

**Телефон:** +7 812 627 14 35

**Электронная почта:** [sales@st-electron.ru](mailto:sales@st-electron.ru)

**Адрес:** 198099, Санкт-Петербург,  
Промышленная ул, дом № 19, литера Н,  
помещение 100-Н Офис 331