

# ASSR-1218 , ASSR-1219 and ASSR-1228

## Form A, Solid State Relay (Photo MOSFET)

### (60V/0.2A/10Ω)



## Data Sheet



### Description

The ASSR-12XX Series consists of an AlGaAs infrared light-emitting diode (LED) input stage optically coupled to a high-voltage output detector circuit. The detector consists of a high-speed photovoltaic diode array and driver circuitry to switch on/off two discrete high voltage MOSFETs. The relay turns on (contact closes) with a minimum input current of 3mA through the input LED. The relay turns off (contact opens) with an input voltage of 0.8V or less.

The single channel configurations, ASSR-1218 and ASSR-1219, are equivalent to 1 Form A Electromechanical Relays (EMR), and the dual channel configuration, ASSR-1228, is equivalent to 2 Form A EMR. They are available in 4-pin SO, 6-pin DIP, 8-pin DIP and Gull Wing Surface Mount for DIP packages. ASSR-1219 enables AC/DC and DC-only output connections. For DC-only connection, the output current,  $I_o$ , increases to 0.4A and the on-resistance,  $R(ON)$  reduces to 2.5Ω.

### Applications

- Telecommunication Switching
- Data Communications
- Industrial Controls
- Medical
- Security
- EMR / Reed Relay Replacement

### Features

- Compact Solid-State Bi-directional Signal Switch
- Single and Dual Channel Normally-off Single-Pole-Single-Throw (SPST) Relay
- 60V Output Withstand Voltage
- 0.2A or 0.4A Current Rating (See Schematic for ASSR-1219 Connection A and B)
- Low Input Current: CMOS Compatibility
- Low On-Resistance: 0.25Ω Typical for DC-only, 1Ω Typical for AC/DC
- High Input-to-Output Insulation Voltage (Safety and Regulatory Approved)
  - 3750 Vrms for 1 min per UL1577
  - CSA Component Acceptance

### Functional Diagram



Truth Table

| LED | Output |
|-----|--------|
| Off | Open   |
| On  | Close  |

**CAUTION:** It is advised that normal static precautions be taken in handling and assembly of this component to prevent damage and/or degradation which may be induced by ESD.

## Ordering Information

ASSR-xxxx is UL Recognized with 3750 Vrms for 1 minute per UL1577 and is approved under CSA Component Acceptance Notice #5.

| Part number | Option         |               |               |           |             | Quantity            |
|-------------|----------------|---------------|---------------|-----------|-------------|---------------------|
|             | RoHS Compliant | Package       | Surface Mount | Gull Wing | Tape & Reel |                     |
| ASSR-1218   | -003E          | SO-4          | X             |           |             | 100 units per tube  |
|             | -503E          |               | X             |           | X           | 1500 units per reel |
| ASSR-1219   | -001E          | 300mil DIP-6  |               |           |             | 50 units per tube   |
|             | -301E          |               | X             | X         |             | 50 units per tube   |
|             | -501E          |               | X             | X         | X           | 1000 units per reel |
| ASSR-1228   | -002E          | 300 mil DIP-8 |               |           |             | 50 units per tube   |
|             | -302E          |               | X             | X         |             | 50 units per tube   |
|             | -502E          |               | X             | X         | X           | 1000 units per reel |

To order, choose a part number from the part number column and combine with the desired option from the option column to form an order entry.

Example 1:

ASSR-1219-501E to order product of 300mil DIP-6 Gull Wing Surface Mount package in Tape and Reel packaging and RoHS Compliant.

Example 2:

ASSR-1228-002E to order product of 300mil DIP-8 package in tube packaging and RoHS Compliant.

Option datasheets are available. Contact your Avago sales representative or authorized distributor for information.

## System Schematics

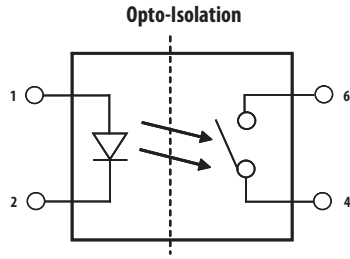
### ASSR-1218



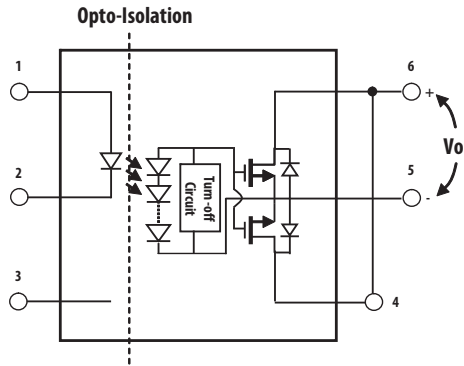
### ASSR-1219 Connection A



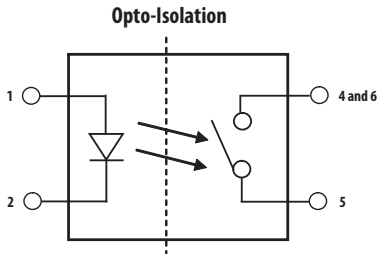
Equivalent Relay Diagram



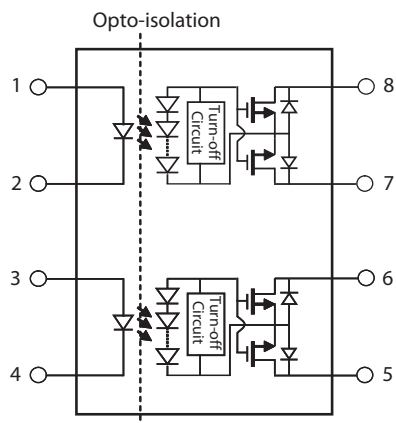
### ASSR-1219 Connection B



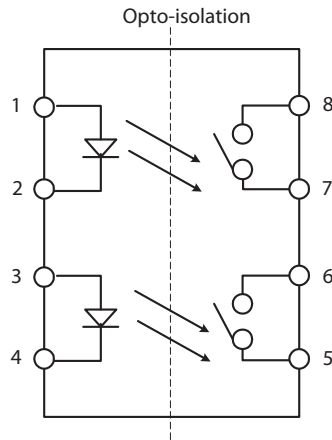
Equivalent Relay Diagram



### ASSR-1228



Equivalent Relay Diagram



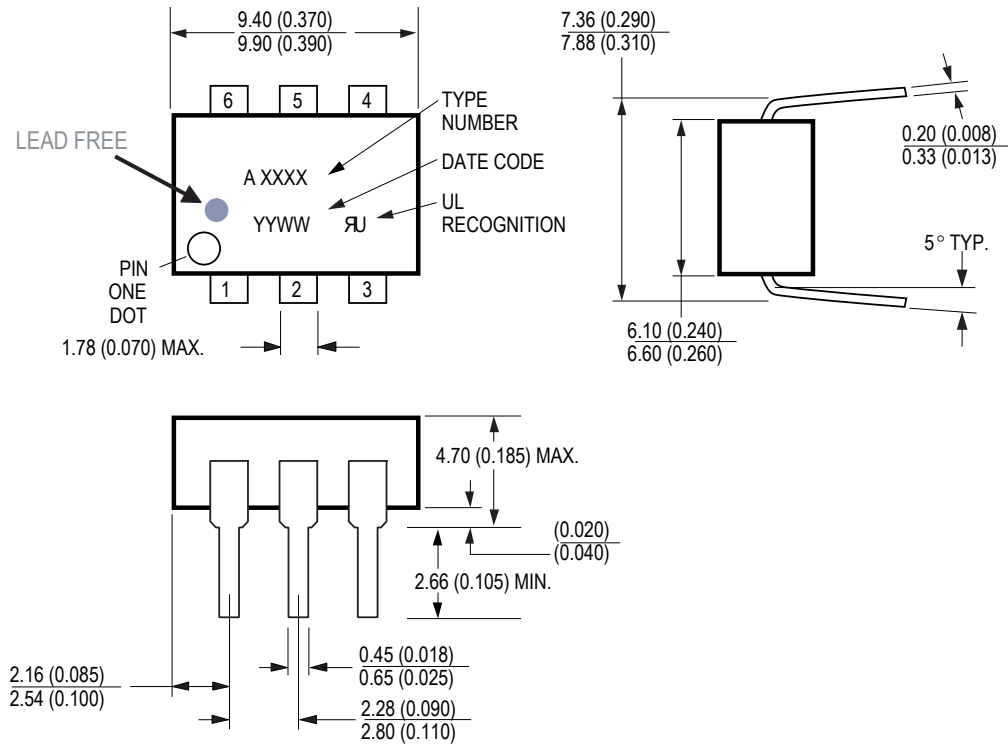
## Package Outline Drawings

### ASSR-1218 4-Pin Small Outline Package



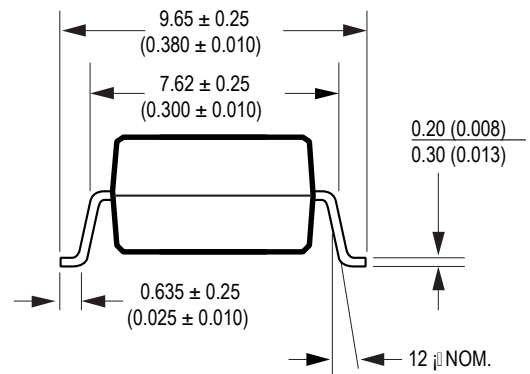
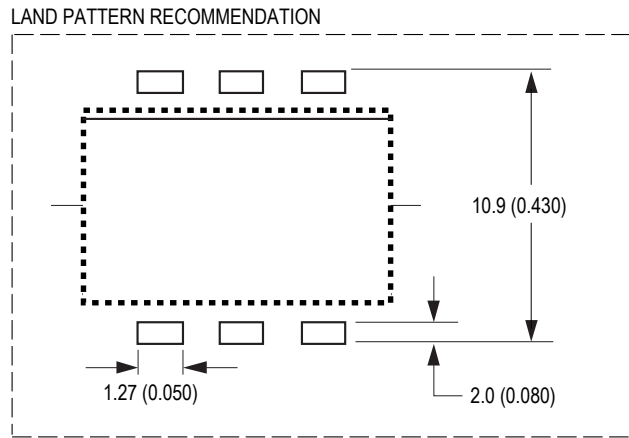
DIMENSIONS IN MILLIMETERS AND [INCHES]  
 OPTION NUMBER 500 AND UL RECOGNITION NOT MARKED

### ASSR-1219 6-Pin DIP Package



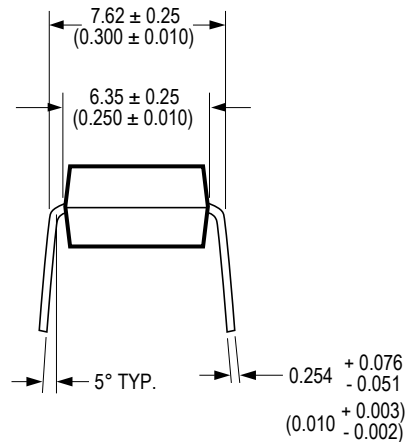
DIMENSIONS IN MILLIMETERS AND (INCHES).

### ASSR-1219 6-Pin DIP Package with Gull Wing Surface Mount Option 300



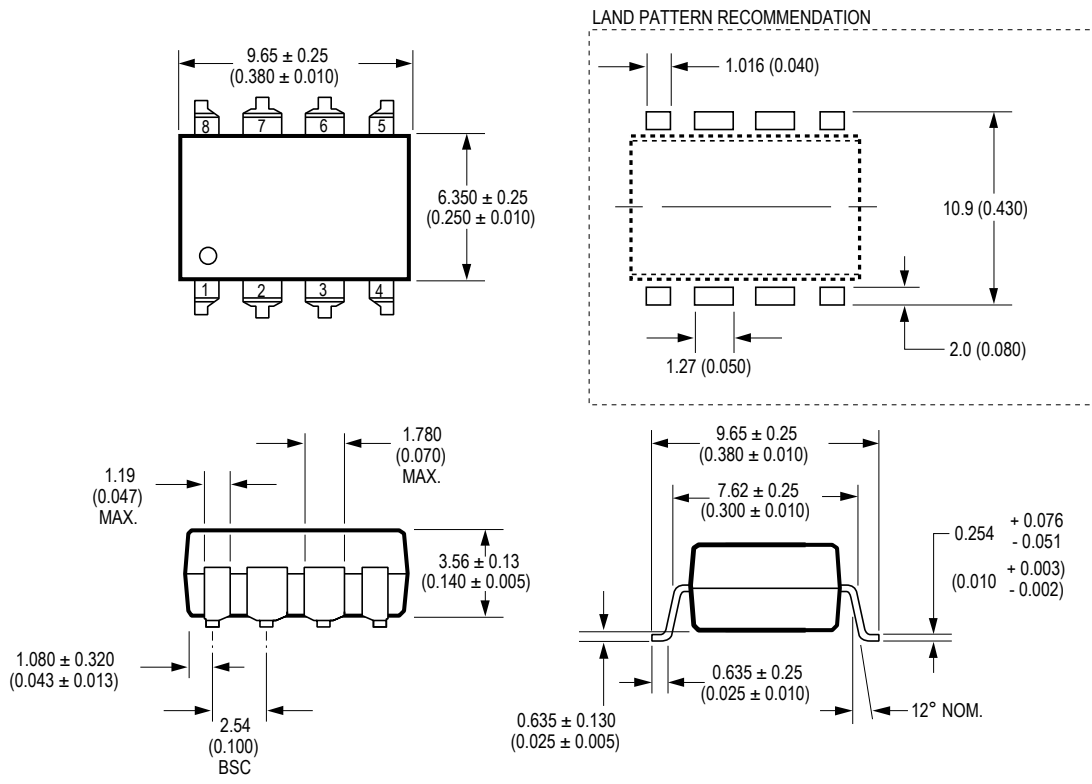
NOTE: FLOATING LEAD PROTRUSION IS 0.25 mm (10 mils) MAX.

### ASSR-1228 8-Pin DIP Package



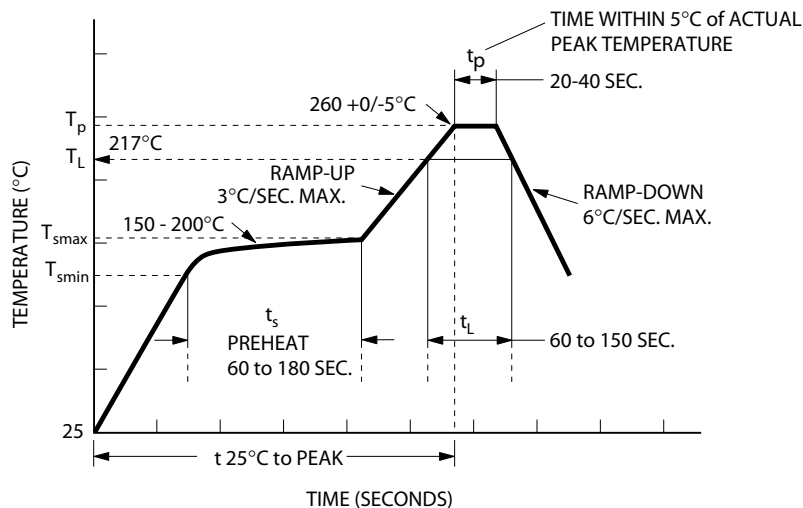
DIMENSIONS IN MILLIMETERS AND (INCHES).  
OPTION NUMBERS 300 AND 500 NOT MARKED.

# ASSR-1228 8-Pin DIP Package with Gull Wing Surface Mount Option 300



DIMENSIONS IN MILLIMETERS (INCHES).  
 LEAD COPLANARITY = 0.10 mm (0.004 INCHES).  
 NOTE: FLOATING LEAD PROTRUSION IS 0.25 mm (10 mils) MAX.

## Lead Free IR Profile



NOTES:  
 THE TIME FROM 25°C TO PEAK TEMPERATURE = 8 MINUTES MAX.  
 $T_{smax} = 200^{\circ}\text{C}$ ,  $T_{smin} = 150^{\circ}\text{C}$

Non-halide flux should be used

## Regulatory Information

The ASSR-1218, ASSR-1219 and ASSR-1228 are approved by the following organizations:

### UL

Approved under UL 1577, component recognition program up to  $V_{ISO} = 3750 V_{RMS}$

### CSA

Approved under CSA Component Acceptance Notice #5.

## Insulation and Safety Related Specifications

| Parameter   | Symbol | ASSR-1219 |           | Units | Conditions   |
|---|--------|-----------|-----------|-------|--|
|   |        | ASSR-1218 | ASSR-1228 |       |  |
| Minimum External Air Gap (Clearance)              | L(101) | 4.9       | 7.1       | mm    | Measured from input terminals to output terminals, shortest distance through air.  |
| Minimum External Tracking (Creepage)              | L(102) | 4.9       | 7.4       | mm    | Measured from input terminals to output terminals, shortest distance path along body.  |
| Minimum Internal Plastic Gap (Internal Clearance) |        | 0.08      | 0.08      | mm    | Through insulation distance conductor to conductor, usually the straight line distance thickness between the emitter and detector. |
| Tracking Resistance (Comparative Tracking Index)  | CTI    | 175       | 175       | V     | DIN IEC 112/VDE 0303 Part 1  |
| Isolation Group (DIN VDE0109)                     |        | IIIa      | IIIa      |       | Material Group (DIN VDE 0109)  |

## Absolute Maximum Ratings

| Parameter   | Symbol                    | Min.     | Max. | Units | Note |   |
|---|---------------------------|----------|------|-------|------|---|
| Storage Temperature   | $T_S$                     | -55      | 125  | °C    |      |   |
| Operating Temperature   | $T_A$                     | -40      | 85   | °C    |      |   |
| Junction Temperature  | $T_J$                     |          | 125  | °C    |      |   |
| Lead Soldering Cycle  | Temperature               |          | 260  | °C    |      |   |
|   | Time                      |          | 10   | s     |      |   |
| Input Current   | Average                   | $I_F$    | 25   | mA    |      |   |
|   | Surge                     |          | 50   |       |      |   |
|   | Transient                 |          | 1000 |       |      |   |
| Reversed Input Voltage  | $V_R$                     |          | 5    | V     |      |   |
| Input Power Dissipation   | ASSR-1218                 | $P_{IN}$ | 40   | mW    |      |   |
|   | ASSR-1219                 | $P_{IN}$ | 40   | mW    |      |   |
|   | ASSR-1228                 | $P_{IN}$ | 80   | mW    |      |   |
| Output Power Dissipation  | ASSR-1218                 | $P_O$    | 400  | mW    |      |   |
|   | ASSR-1219                 | $P_O$    | 400  | mW    |      |   |
|   | ASSR-1228                 | $P_O$    | 800  | mW    |      |   |
| Average Output Current<br>( $T_A = 25^\circ\text{C}$ , $T_C \leq 100^\circ\text{C}$ ) |                           | $I_O$    | 0.20 | A     | 1    |   |
|   | ASSR-1219<br>Connection B | $I_O$    | 0.40 | A     | 1    |   |
| Output Voltage ( $T_A = 25^\circ\text{C}$ )   |                           | $V_O$    | -60  | 60    | V    | 2 |
|   | ASSR-1219<br>Connection B | $V_O$    | 0    | 60    | V    |   |
| Solder Reflow Temperature Profile   | See Lead Free IR Profile  |          |      |       |      |   |

## Recommended Operating Conditions

| Parameter             | Symbol       | Min. | Max. | Units | Note |
|-----------------------|--------------|------|------|-------|------|
| Input Current (ON)    | $I_{F(ON)}$  | 3    | 20   | mA    | 3    |
| Input Voltage (OFF)   | $V_{F(OFF)}$ | 0    | 0.8  | V     |      |
| Operating Temperature | $T_A$        | -40  | +85  | °C    |      |



## Package Characteristics

Unless otherwise specified,  $T_A = 25^\circ\text{C}$ .

| Parameter                                | Sym.                   | Min. | Typ.      | Max. | Units    | Conditions   | Note |
|--|------------------------|------|-----------|------|----------|--|------|
| Input-Output Momentary Withstand Voltage | $V_{ISO}$              | 3750 |           |      | Vrms     | $RH \leq 50\%$ ,<br>$t = 1 \text{ min}$            | 4, 5 |
| Input-Output Resistance                  | $R_{I-O}$              |      | $10^{12}$ |      | $\Omega$ | $V_{I-O} = 500 \text{ Vdc}$                        |      |
| Input-Output Capacitance                 | ASSR-1218<br>$C_{I-O}$ |      | 0.4       |      | pF       | $f = 1 \text{ MHz}$ ;<br>$V_{I-O} = 0 \text{ Vdc}$ | 4    |
|  | ASSR-1219<br>$C_{I-O}$ |      | 0.5       |      | pF       | $f = 1 \text{ MHz}$ ;<br>$V_{I-O} = 0 \text{ Vdc}$ |      |
|  | ASSR-1228<br>$C_{I-O}$ |      | 0.8       |      | pF       | $f = 1 \text{ MHz}$ ;<br>$V_{I-O} = 0 \text{ Vdc}$ |      |

## Electrical Specifications (DC)

For operating  $T_A = +25^\circ\text{C}$

| Parameter                       | Sym.                      | Min. | Typ.  | Max. | Units         | Conditions  | Fig. | Note |
|---------------------------------|---------------------------|------|-------|------|---------------|---|------|------|
| Output Withstand Voltage        | $ V_{O(OFF)} $            | 60   | 65    |      | V             | $V_F = 0.8\text{V}$ , $I_O = 250 \mu\text{A}$                           | 5    |      |
| Output Leakage Current          | $I_{O(OFF)}$              |      | 0.005 | 1    | $\mu\text{A}$ | $V_F = 0.8\text{V}$ , $V_O = 60\text{V}$                                |      |      |
| Input Reverse Breakdown Voltage | $V_R$                     | 5    |       |      | V             | $I_R = 10 \mu\text{A}$  |      |      |
| Input Forward Voltage           | $V_F$                     | 1.1  | 1.3   | 1.6  | V             | $I_F = 5\text{mA}$  | 6, 7 |      |
| Output On-resistance            | $R_{(ON)}$                |      | 1     | 10   | $\Omega$      | $I_F = 5\text{mA}$ , $I_O = 200\text{mA}$ ,<br>Pulse $\leq 30\text{ms}$ | 8, 9 | 6    |
|                                 | ASSR-1219<br>Connection B |      | 0.25  | 2.5  | $\Omega$      | $I_F = 5\text{mA}$ , $I_O = 400\text{mA}$ ,<br>Pulse $\leq 30\text{ms}$ |      |      |

## Switching Specifications (AC)

For operating  $T_A = +25^\circ\text{C}$

| Parameter     | Sym.      | Min. | Typ. | Max. | Units | Conditions                              | Fig. | Note |
|---------------|-----------|------|------|------|-------|---|------|------|
| Turn On Time  | $T_{ON}$  |      | 0.7  | 5.0  | ms    | $I_F = 5\text{mA}, I_O = 200\text{mA}$  |      |      |
| Turn Off Time | $T_{OFF}$ |      | 0.04 | 5.0  | ms    | $I_F = 5\text{mA}, I_O = 200\text{mA},$ |      |      |

Notes:

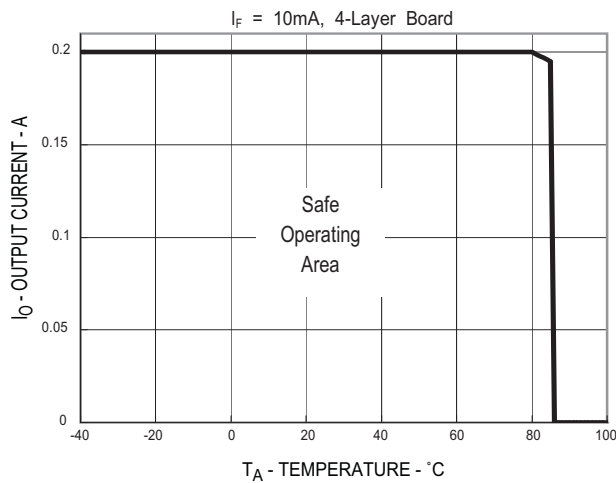
1. For derating, refer to Figure 1, 2, 3 and 4.
2. The voltage across the output terminals of the relay should not exceed this rated withstand voltage. Over-voltage protection circuits should be added in some applications to protect against over-voltage transients.
3. Threshold to switch device is  $I_F \geq 0.5\text{mA}$ , however, for qualified device performance over temperature range, it is recommended to operate at  $I_F = 5\text{mA}$ .
4. Device is considered as a two terminal device:
  - ASSR-1218 - pin 1, 2 shorted and pin 3, 4 shorted.
  - ASSR-1219 - pin 1, 2, 3 shorted and pin 4, 5, 6 shorted.
  - ASSR-1228 - pin 1, 2, 3, 4 shorted and pin 5, 6, 7, 8 shorted.
5. The Input-Output Momentary Withstand Voltage is a dielectric voltage rating that should not be interpreted as an input-output continuous voltage rating. For the continuous voltage rating refer to the IEC/EN/DIN EN 60747-5-2 Insulation Characteristics Table (if applicable), your equipment level safety specification, or Avago Technologies Application Note 1074, "Optocoupler Input-Output Endurance Voltage."
6. During the pulsed  $R_{(ON)}$  measurement ( $I_O$  duration  $\leq 30\text{ms}$ ), ambient ( $T_A$ ) and case temperature ( $T_C$ ) are equal.

## Application Information

### On-Resistance and Derating Curves

The Output On-Resistance,  $R_{(ON)}$ , specified in this data sheet, is the resistance measured across the output contact when a pulse current signal ( $I_o=200mA$ ) is applied to the output pins. The use of a pulsed signal ( $\leq 30ms$ ) implies that each junction temperature is equal to the ambient and case temperatures. The steady-state resistance,  $R_{ss}$ , on the other hand, is the value of resistance measured across the output contact when a DC current signal is applied to the output pins for a duration sufficient to reach thermal equilibrium.  $R_{ss}$  includes the effects of the temperature rise in the device.

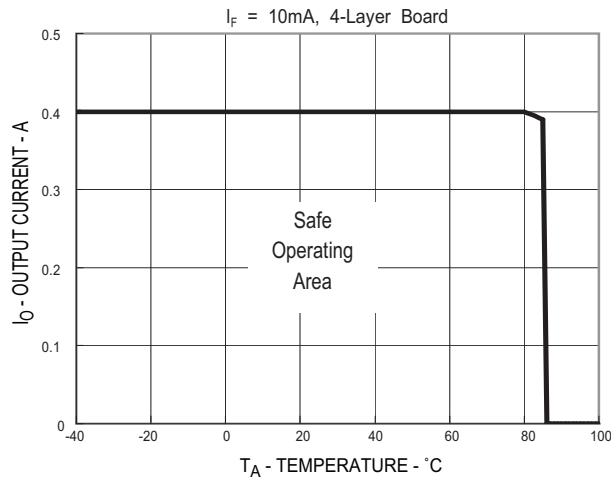
Figure 1, 2, 3 and 4 specify the maximum average output current allowable for a given ambient temperature. The maximum allowable output current and power dissipation are related by the expression  $R_{ss} = P_o(max) / (I_o(max))^2$  from which  $R_{ss}$  can be calculated. Staying within the safe area assures that the steady state MOS-FET junction temperature remains less than 125 °C.



**Figure 1. Maximum Output Current Rating vs Ambient Temperature (ASSR-1218-003E)**



**Figure 2. Maximum Output Current Rating vs Ambient Temperature (ASSR-1219-001E)**



**Figure 3. Maximum Output Current Rating vs Ambient Temperature (ASSR-1219-001E DC Connection)**



**Figure 4. Maximum Output Current Rating vs Ambient Temperature (ASSR-1228-002E)**



Figure 5. Normalized Output Withstand Voltage vs Temperature



Figure 6. Typical Forward Voltage vs Temperature



Figure 7. Typical Forward Current vs Forward Voltage

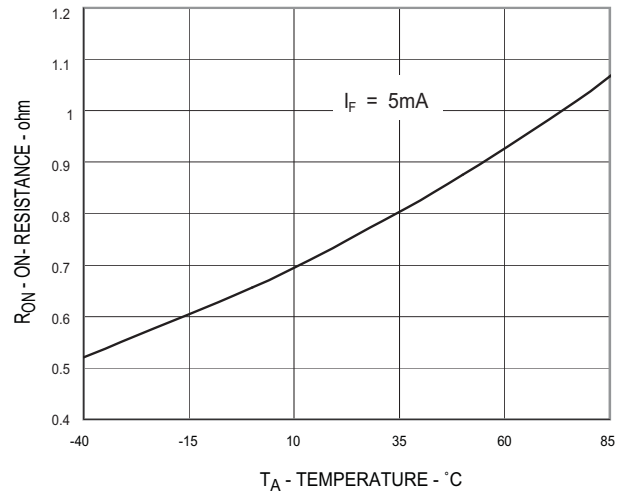


Figure 8. Typical on Resistance vs Temperature



Figure 9. Typical Output Current vs Output Voltage

For product information and a complete list of distributors, please go to our web site: [www.avagotech.com](http://www.avagotech.com)

Avago, Avago Technologies, and the A logo are trademarks of Avago Technologies in the United States and other countries. Data subject to change. Copyright © 2005-2012 Avago Technologies. All rights reserved. AV02-0173EN - March 19, 2012





## Стандарт Электрон Связь

Мы молодая и активно развивающаяся компания в области поставок электронных компонентов. Мы поставляем электронные компоненты отечественного и импортного производства напрямую от производителей и с крупнейших складов мира.

Благодаря сотрудничеству с мировыми поставщиками мы осуществляем комплексные и плановые поставки широчайшего спектра электронных компонентов.

Собственная эффективная логистика и склад в обеспечивает надежную поставку продукции в точно указанные сроки по всей России.

Мы осуществляем техническую поддержку нашим клиентам и предпродажную проверку качества продукции. На все поставляемые продукты мы предоставляем гарантию .

Осуществляем поставки продукции под контролем ВП МО РФ на предприятия военно-промышленного комплекса России , а также работаем в рамках 275 ФЗ с открытием отдельных счетов в уполномоченном банке. Система менеджмента качества компании соответствует требованиям ГОСТ ISO 9001.

Минимальные сроки поставки, гибкие цены, неограниченный ассортимент и индивидуальный подход к клиентам являются основой для выстраивания долгосрочного и эффективного сотрудничества с предприятиями радиоэлектронной промышленности, предприятиями ВПК и научно-исследовательскими институтами России.

С нами вы становитесь еще успешнее!

### Наши контакты:

**Телефон:** +7 812 627 14 35

**Электронная почта:** [sales@st-electron.ru](mailto:sales@st-electron.ru)

**Адрес:** 198099, Санкт-Петербург,  
Промышленная ул, дом № 19, литера Н,  
помещение 100-Н Офис 331