

250MHz Differential Twisted-Pair Drivers

EL5171, EL5371

The EL5171 and EL5371 are single and triple bandwidth amplifiers with an output in differential form. They are primarily targeted for applications such as driving twisted-pair lines in component video applications. The input signal is single-ended and the outputs are always differential.

On the EL5171 and EL5371, two feedback inputs provide the user with the ability to set the gain of each device (stable at minimum gain of one). For a fixed gain of two, please see EL5170 and EL5370.

The output common mode level for each channel is set by the associated V_{REF} pin, which have a -3dB bandwidth of over 50MHz. Generally, these pins are grounded but can be tied to any voltage reference.

All outputs are short circuit protected to withstand temporary overload condition.

The EL5171 and EL5371 are specified for operation over the full -40°C to +85°C temperature range.

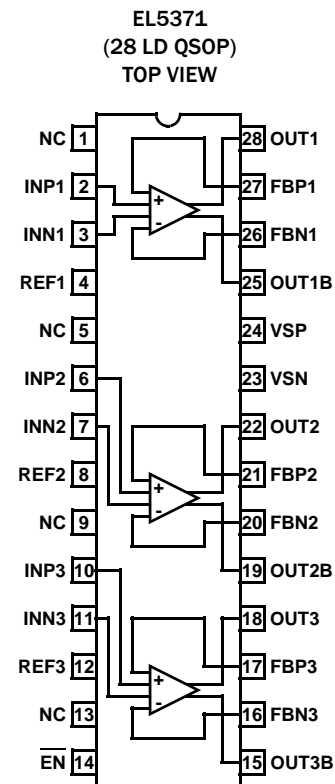
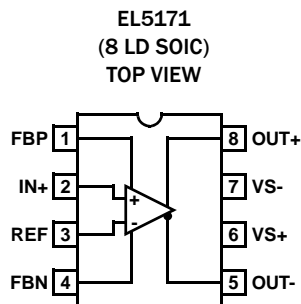
Features

- Fully differential outputs and feedback
- Input range $\pm 2.3V$ typ.
- 250MHz 3dB bandwidth
- 800V/ μs slew rate
- Low distortion at 5MHz
- Single 5V or dual $\pm 5V$ supplies
- 90mA maximum output current
- Low power - 8mA per channel
- Pb-free available (RoHS compliant)

Applications

- Twisted-pair driver
- Differential line driver
- VGA over twisted-pair
- ADSL/HDSL driver
- Single-ended to differential amplification
- Transmission of analog signals in a noisy environment

Pinouts



EL5171, EL5371

Pin Descriptions

EL5171	EL5371	PIN NAME	PIN FUNCTION
1		FBP	Feedback from non-inverting output
2		IN+	Non-inverting input
3		REF	Reference input, sets common-mode output voltage
4		FBN	Feedback from inverting output
5		OUT-	Inverting output
6		VS+	Positive supply
7		VS-	Negative supply
8		OUT+	Non-inverting output
	17, 21, 27	FBP3, FBP2, FBP1	Feedback from non-inverting output
	2, 6, 10	INP1, INP2, INP3	Non-inverting inputs
	4, 8, 12	REF1, REF2, REF3	Reference input, sets common-mode output voltage
	3, 7, 11	INN1, INN2, INN3	Inverting inputs, note that on EL5171, this pin is also the REF pin
	16, 20, 26	FBN3, FBN2, FBN1	Feedback from inverting output
	15, 19, 25	OUT3B, OUT2B, OUT1B	Inverting outputs
	24	VSP	Positive supply
	23	VSN	Negative supply
	18, 22, 28	OUT3, OUT2, OUT1	Non-inverting outputs
	1, 5, 9, 13	NC	No connects, grounded for best crosstalk performance
	14	$\overline{\text{EN}}$	$\overline{\text{ENABLE}}$

Ordering Information

PART NUMBER (Notes 1, 2, 3)	PART MARKING	PACKAGE (Pb-free)	PKG. DWG. #
EL5171ISZ	5171ISZ	8 Ld SOIC	M8.15E
EL5371IUZ	EL5371IUZ	28 Ld QSOP	M28.15

NOTES:

1. Add "-T*" suffix for tape and reel. Please refer to [TB347](#) for details on reel specifications.
2. These Intersil Pb-free plastic packaged products employ special Pb-free material sets, molding compounds/die attach materials, and 100% matte tin plate plus anneal (e3 termination finish, which is RoHS compliant and compatible with both SnPb and Pb-free soldering operations). Intersil Pb-free products are MSL classified at Pb-free peak reflow temperatures that meet or exceed the Pb-free requirements of IPC/JEDEC J STD-020.
3. For Moisture Sensitivity Level (MSL), please see device information page for [EL5171](#), [EL5371](#). For more information on MSL please see tech brief [TB363](#).

EL5171, EL5371

Absolute Maximum Ratings (T_A = +25°C)

Supply Voltage (V _{S+} to V _{S-})	12V
Supply Voltage Rate-of-rise (dV/dT)	1V/μs
Input Voltage (IN+, IN- to V _{S+} , V _{S-})	V _{S-} - 0.3V to V _{S+} + 0.3V
Differential Input Voltage (IN+ to IN-)	±4.8V
Maximum Output Current	±60mA

Thermal Information

Operating Junction Temperature	+135°C
Ambient Operating Temperature	-40°C to +85°C
Storage Temperature Range	-65°C to +150°C
Power Dissipation	See Curves
Pb-Free Reflow Profile	see link below http://www.intersil.com/pbfree/Pb-FreeReflow.asp

CAUTION: Do not operate at or near the maximum ratings listed for extended periods of time. Exposure to such conditions may adversely impact product reliability and result in failures not covered by warranty.

IMPORTANT NOTE: All parameters having Min/Max specifications are guaranteed. Typ values are for information purposes only. Unless otherwise noted, all tests are at the specified temperature and are pulsed tests, therefore: T_J = T_C = T_A

Electrical Specifications V_{S+} = +5V, V_{S-} = -5V, T_A = +25°C, V_{IN} = 0V, R_{LD} = 1kΩ, R_F = 0, R_G = OPEN, C_{LD} = 2.7pF, Unless Otherwise Specified.

PARAMETER	DESCRIPTION	CONDITIONS	MIN (Note 4)	TYP	MAX (Note 4)	UNIT
AC PERFORMANCE						
BW	-3dB Bandwidth	A _V = 1, C _{LD} = 2.7pF		250		MHz
		A _V = 2, R _F = 500, C _{LD} = 2.7pF		60		MHz
		A _V = 10, R _F = 500, C _{LD} = 2.7pF		10		MHz
BW	±0.1dB Bandwidth	A _V = 1, C _{LD} = 2.7pF		50		MHz
SR	Slew Rate (EL5171)	V _{OUT} = 3V _{P-P} , 20% to 80%	600	800	1000	V/μs
	Slew Rate (EL5371)	V _{OUT} = 3V _{P-P} , 20% to 80%	540	700	1000	V/μs
t _{STL}	Settling Time to 0.1%	V _{OUT} = 2V _{P-P}		10		ns
t _{OVR}	Output Overdrive Recovery Time			20		ns
GBWP	Gain Bandwidth Product			100		MHz
V _{REF} BW (-3dB)	V _{REF} -3dB Bandwidth	A _V = 1, C _{LD} = 2.7pF		50		MHz
V _{REF} SR+	V _{REF} Slew Rate - Rise	V _{OUT} = 2V _{P-P} , 20% to 80%		90		V/μs
V _{REF} SR-	V _{REF} Slew Rate - Fall	V _{OUT} = 2V _{P-P} , 20% to 80%		50		V/μs
V _N	Input Voltage Noise	at 10kHz		26		nV/√Hz
I _N	Input Current Noise	at 10kHz		2		pA/√Hz
HD2	Second Harmonic Distortion	V _{OUT} = 2V _{P-P} , 5MHz		-94		dBc
		V _{OUT} = 2V _{P-P} , 20MHz		-94		dBc
HD3	Third Harmonic Distortion	V _{OUT} = 2V _{P-P} , 5MHz		-77		dBc
		V _{OUT} = 2V _{P-P} , 20MHz		-75		dBc
dG	Differential Gain at 3.58MHz	R _L = 300Ω, A _V = 2		0.1		%
dθ	Differential Phase at 3.58MHz	R _L = 300Ω, A _V = 2		0.5		°
e _S	Channel Separation	at f = 1MHz		90		dB
INPUT CHARACTERISTICS						
V _{OS}	Input Referred Offset Voltage			±1.5	±25	mV
I _{IN}	Input Bias Current (V _{IN+} , V _{IN-})		-14	-6	-3	μA
I _{REF}	Input Bias Current (V _{REF})		0.5	1.3	4	μA
R _{IN}	Differential Input Resistance			300		kΩ
C _{IN}	Differential Input Capacitance			1		pF
DMIR	Differential Mode Input Range		±2.1	±2.3	±2.5	V
CMIR+	Common Mode Positive Input Range at V _{IN+} , V _{IN-}	Tested only for EL5371	3.1	3.4		V

EL5171, EL5371

Electrical Specifications $V_{S+} = +5V$, $V_{S-} = -5V$, $T_A = +25^\circ C$, $V_{IN} = 0V$, $R_{LD} = 1k\Omega$, $R_F = 0$, $R_G = OPEN$, $C_{LD} = 2.7pF$, Unless Otherwise Specified. (Continued)

PARAMETER	DESCRIPTION	CONDITIONS	MIN (Note 4)	TYP	MAX (Note 4)	UNIT
CMIR-	Common Mode Negative Input Range at V_{IN+} , V_{IN-}	Tested only for EL5371		-4.5	-4.2	V
V_{REFIN+}	Positive Reference Input Voltage Range (EL5371)	$V_{IN+} = V_{IN-} = 0V$	3.5	± 3.8		V
V_{REFIN-}	Negative Reference Input Voltage Range (EL5371)	$V_{IN+} = V_{IN-} = 0V$		-3.3	-3	V
V_{REFOS}	Output Offset Relative to V_{REF} (EL5371)			± 60	± 100	mV
CMRR	Input Common Mode Rejection Ratio (EL5371)	$V_{IN} = \pm 2.5V$	70	82		dB
Gain	Gain Accuracy	$V_{IN} = 1$ (EL5171)	0.981	0.996	1.011	V
		$V_{IN} = 1$ (EL5371)	0.978	0.993	1.008	V
OUTPUT CHARACTERISTICS						
V_{OUT}	Output Voltage Swing	$R_L = 500\Omega$ to GND (EL5171)		± 3.4		V
		$R_L = 500\Omega$ to GND (EL5371)	± 3.6	± 3.9		V
$I_{OUT(Max)}$	Maximum Output Current	$R_L = 10\Omega$, $V_{IN} = \pm 3.24$ (EL5171)	± 70	± 90	± 120	mA
		$R_L = 10\Omega$, $V_{IN} = \pm 3.24$ (EL5371)	± 50	± 70	± 90	mA
R_{OUT}	Output Impedance			130		m Ω
SUPPLY						
V_{SUPPLY}	Supply Operating Range	V_{S+} to V_{S-}	4.75		11	V
$I_{S(ON)}$	Power Supply Current - Per Channel		6.8	7.5	8.2	mA
$I_{S(OFF)+}$	Positive Power Supply Current - Disabled (EL5371)	\overline{EN} pin tied to 4.8V		1.7	10	μA
$I_{S(OFF)-}$	Negative Power Supply Current - Disabled (EL5371)		-200	-120		μA
PSRR	Power Supply Rejection Ratio	V_S from $\pm 4.5V$ to $\pm 5.5V$ (EL5171)	70	84		dB
		V_S from $\pm 4.5V$ to $\pm 5.5V$ (EL5371)	65	83		dB
ENABLE (EL5371 ONLY)						
t_{EN}	Enable Time			215		ns
t_{DS}	Disable Time			0.95		μs
V_{IH}	\overline{EN} Pin Voltage for Power-Up				$V_{S+} - 1.5$	V
V_{IL}	\overline{EN} Pin Voltage for Shutdown		$V_{S+} - 0.5$			V
I_{IH-EN}	\overline{EN} Pin Input Current High	At $V_{EN} = 5V$		122	130	μA
I_{IL-EN}	\overline{EN} Pin Input Current Low	At $V_{EN} = 0V$	-10	-8		μA

NOTE:

4. Parameters with MIN and/or MAX limits are 100% tested at $+25^\circ C$, unless otherwise specified. Temperature limits established by characterization and are not production tested.

Connection Diagrams

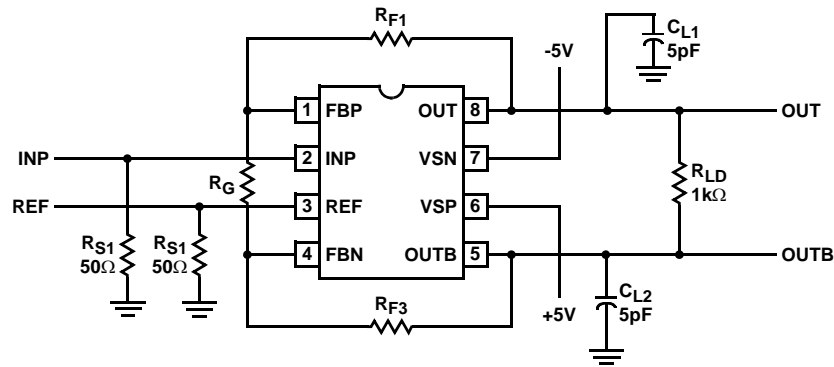


FIGURE 1. EL5171

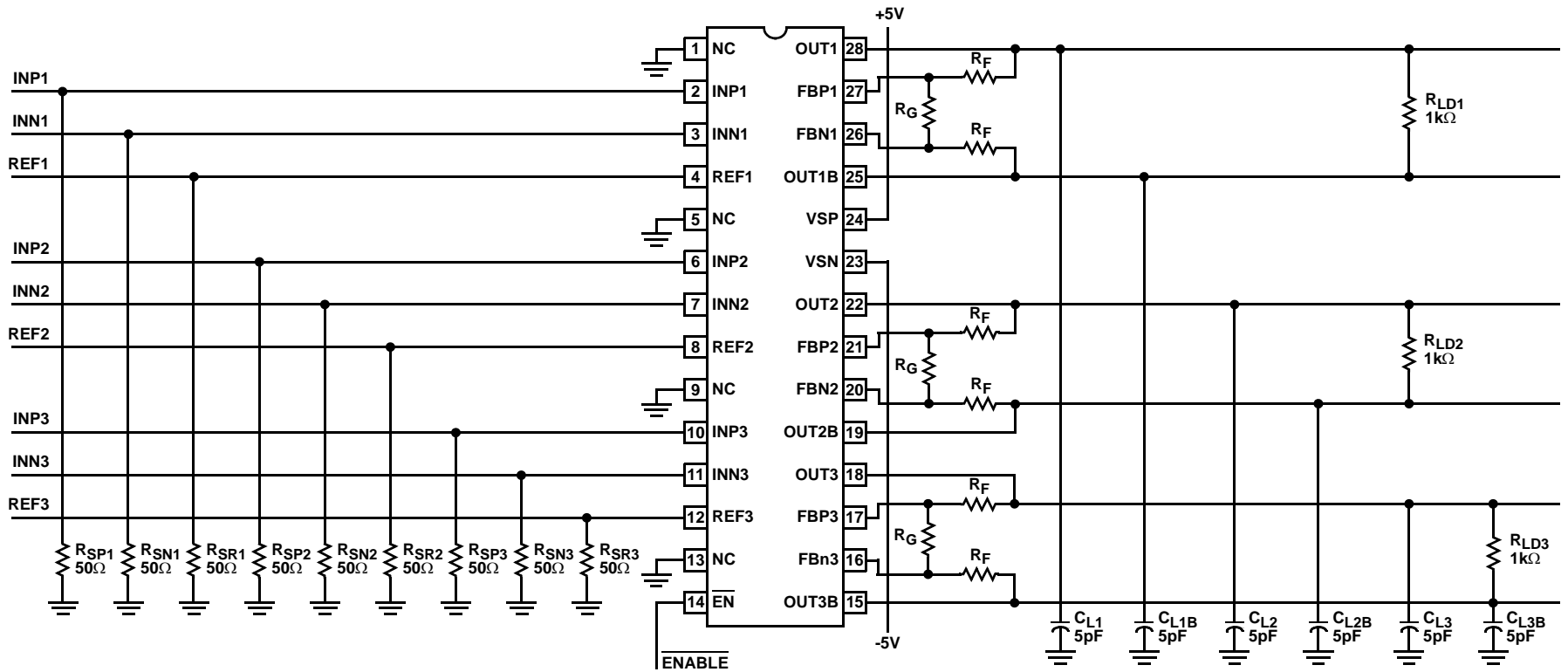


FIGURE 2. EL5371

Typical Performance Curves

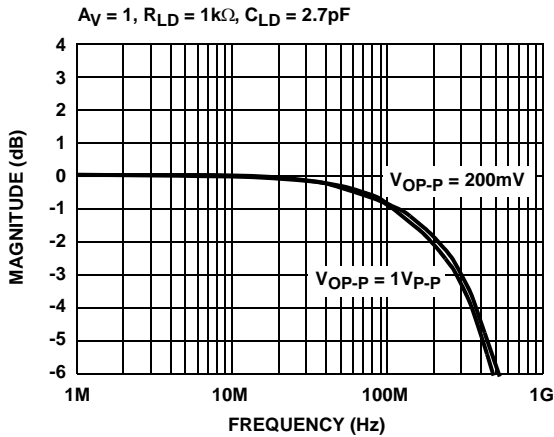


FIGURE 3. FREQUENCY RESPONSE

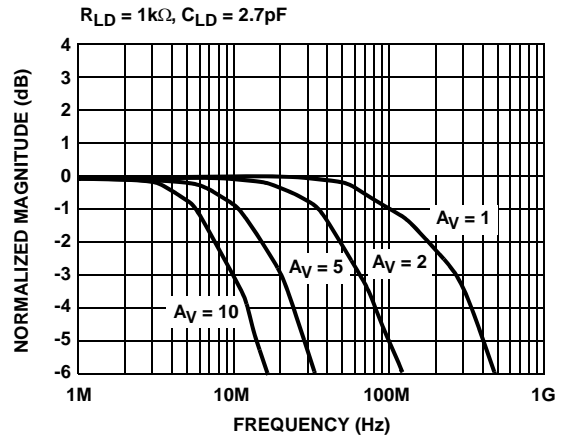


FIGURE 4. FREQUENCY RESPONSE FOR VARIOUS GAIN

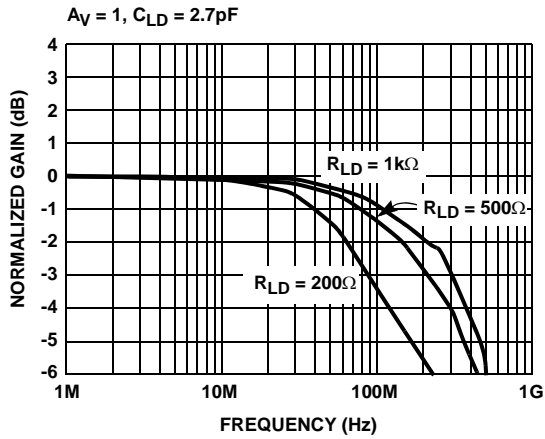


FIGURE 5. FREQUENCY RESPONSE vs RLD

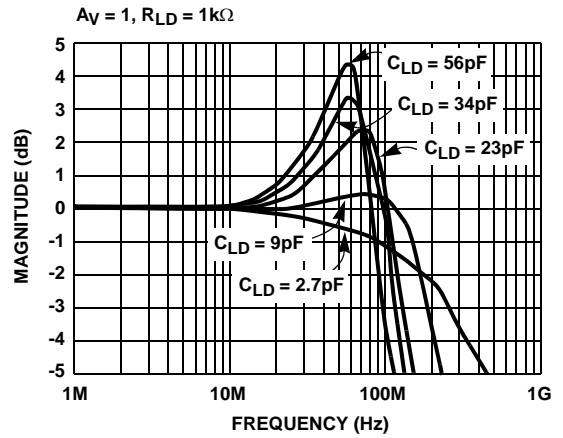


FIGURE 6. FREQUENCY RESPONSE vs CLD

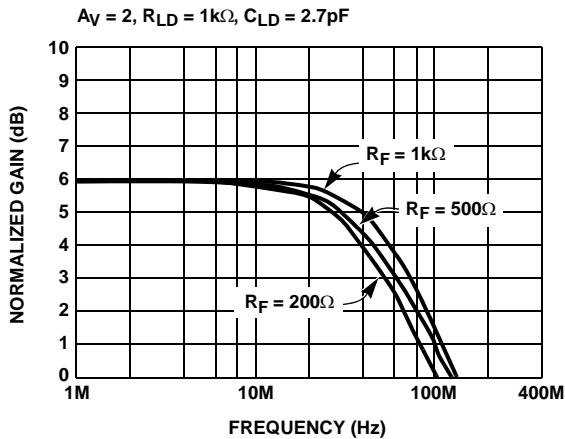


FIGURE 7. FREQUENCY RESPONSE

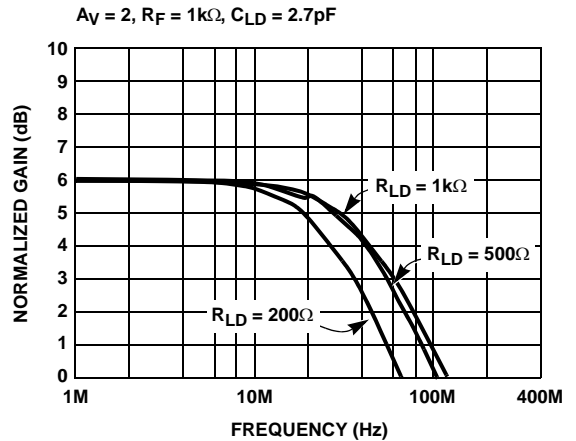


FIGURE 8. FREQUENCY RESPONSE vs RLD

Typical Performance Curves (Continued)

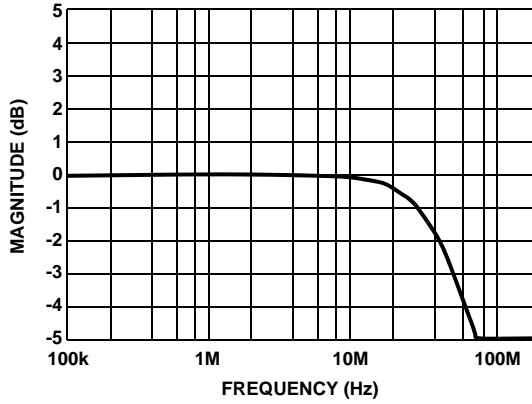


FIGURE 9. FREQUENCY RESPONSE - V_{REF}

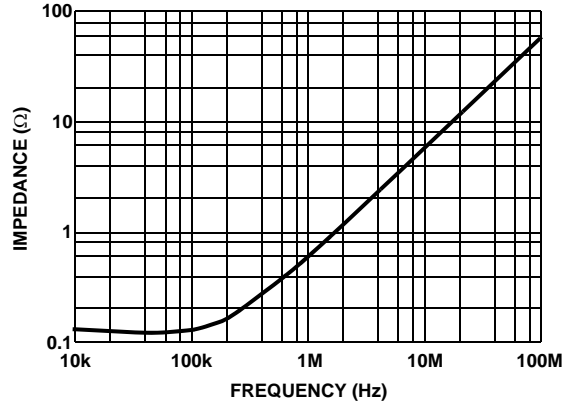


FIGURE 10. OUTPUT IMPEDANCE vs FREQUENCY

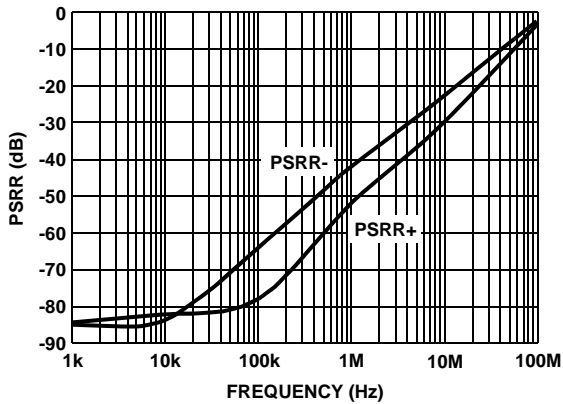


FIGURE 11. PSRR vs FREQUENCY

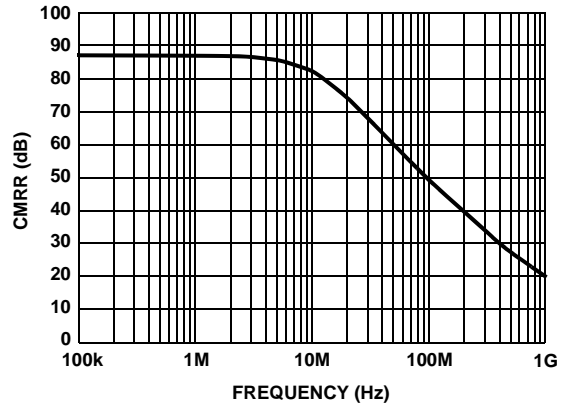


FIGURE 12. CMRR vs FREQUENCY

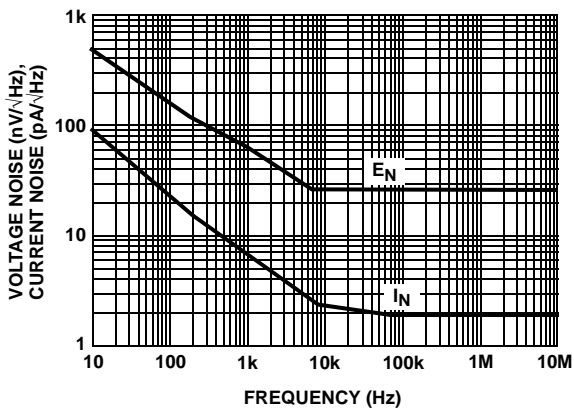


FIGURE 13. VOLTAGE AND CURRENT NOISE vs FREQUENCY

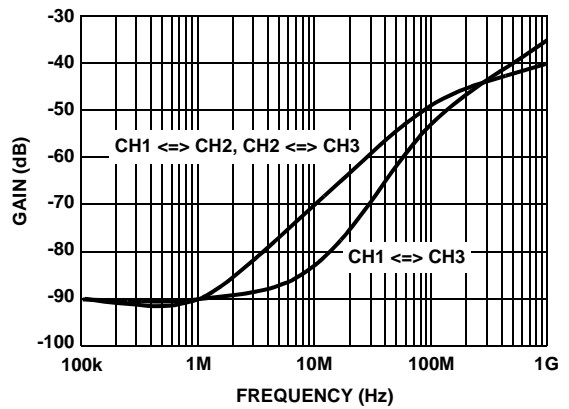


FIGURE 14. CHANNEL ISOLATION vs FREQUENCY

Typical Performance Curves (Continued)

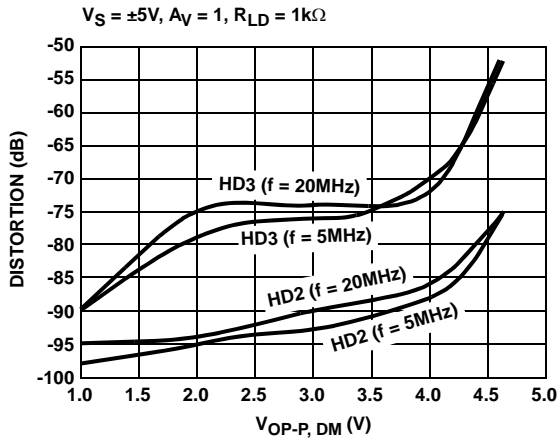


FIGURE 15. HARMONIC DISTORTION vs DIFFERENTIAL OUTPUT VOLTAGE

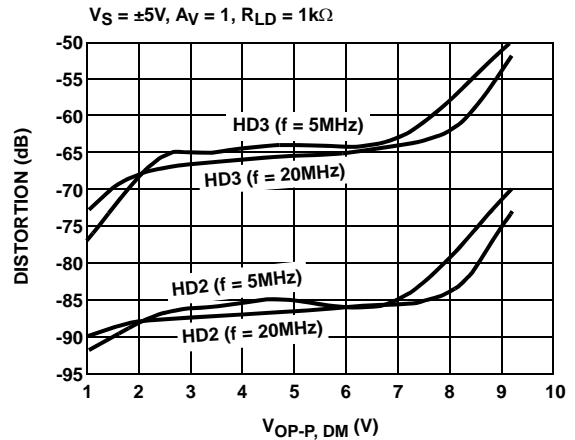


FIGURE 16. HARMONIC DISTORTION vs DIFFERENTIAL OUTPUT VOLTAGE

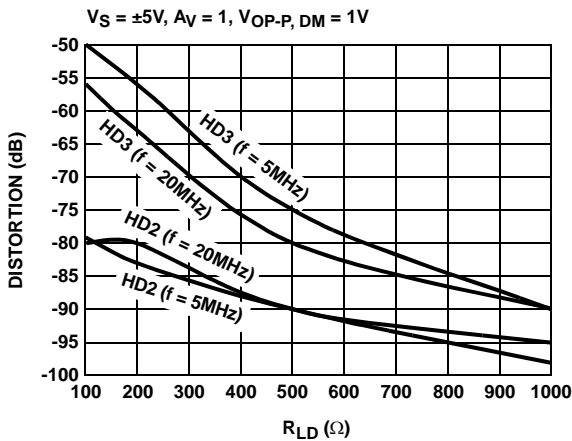


FIGURE 17. HARMONIC DISTORTION vs R_{LD}

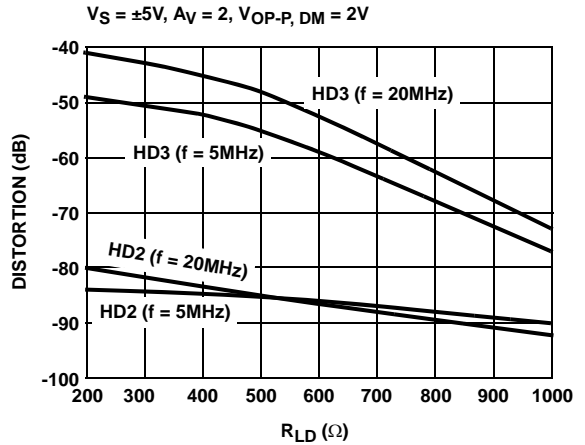


FIGURE 18. HARMONIC DISTORTION vs R_{LD}

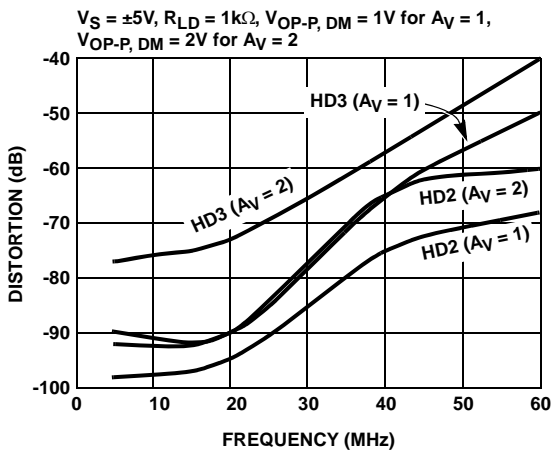


FIGURE 19. HARMONIC DISTORTION vs FREQUENCY

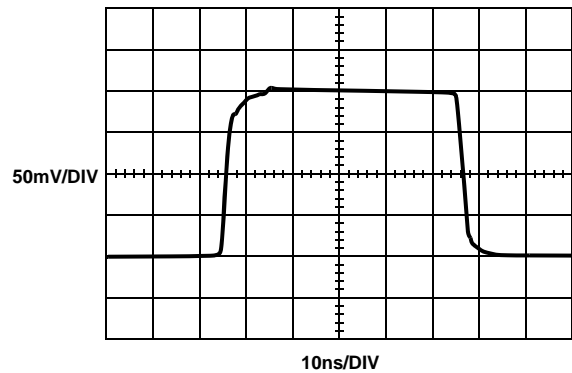


FIGURE 20. SMALL SIGNAL TRANSIENT RESPONSE

Typical Performance Curves (Continued)

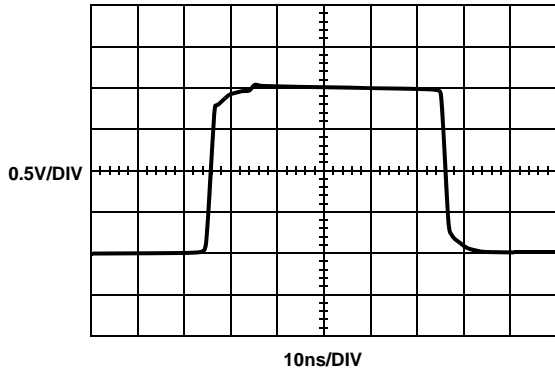


FIGURE 21. LARGE SIGNAL TRANSIENT RESPONSE

M = 100ns, CH1 = 500mV/DIV, CH2 = 5V/DIV

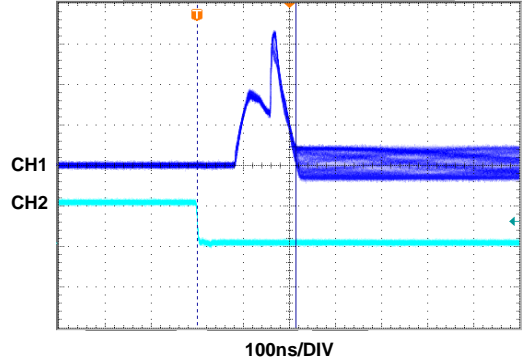


FIGURE 22. ENABLED RESPONSE

M = 200ns, CH1 = 500mV/DIV, CH2 = 5V/DIV

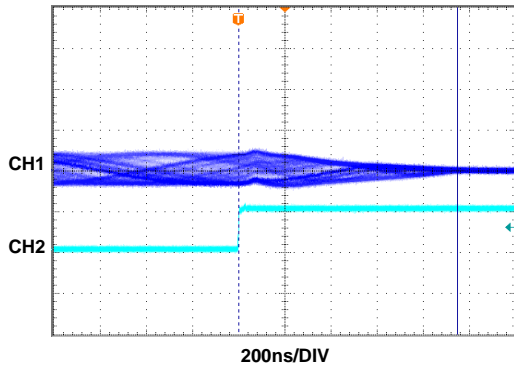


FIGURE 23. DISABLED RESPONSE

JEDEC JESD51-3 LOW EFFECTIVE THERMAL CONDUCTIVITY TEST BOARD

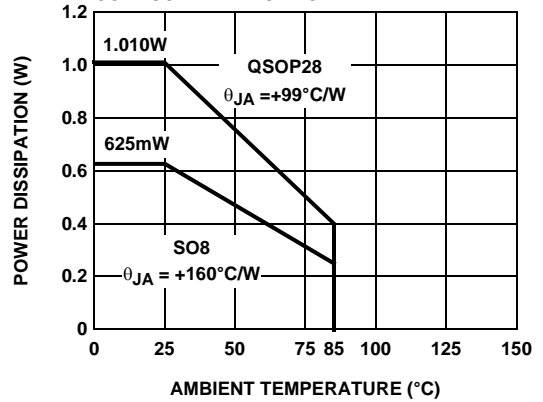


FIGURE 24. PACKAGE POWER DISSIPATION vs AMBIENT TEMPERATURE

JEDEC JESD51-7 HIGH EFFECTIVE THERMAL CONDUCTIVITY TEST BOARD

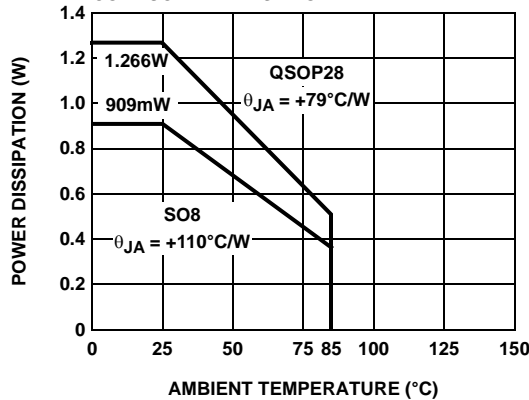
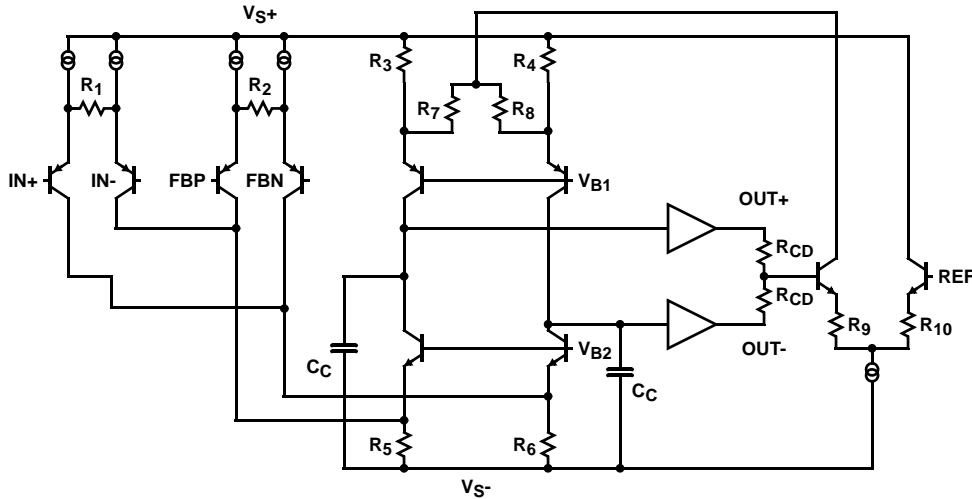


FIGURE 25. PACKAGE POWER DISSIPATION vs AMBIENT TEMPERATURE

Simplified Schematic



Description of Operation and Application Information

Product Description

The EL5171 and EL5371 are wide bandwidth, low power and single-ended to differential output amplifiers. The EL5171 is a single channel differential amplifier. Since the I_{N-} pin and REF pin are tied together internally, the EL5171 can be used as a single-ended to differential converter. The EL5371 is a triple channel differential amplifier. The EL5371 has a separate I_{N-} pin and REF pin for each channel. It can be used as a single/differential ended to differential converter. The EL5171 and EL5371 are internally compensated for closed loop gain of +1 or greater. Connected in gain of 1 and driving a $1k\Omega$ differential load, the EL5171 and EL5371 have a -3dB bandwidth of 250MHz. Driving a 200Ω differential load at gain of 2, the bandwidth is about 30MHz. The EL5371 is available with a power-down feature to reduce the power while the amplifier is disabled.

Input, Output, and Supply Voltage Range

The EL5171 and EL5371 have been designed to operate with a single supply voltage of 5V to 10V or split supplies with its total voltage from 5V to 10V. The amplifiers have an input common mode voltage range from -4.5V to 3.4V for $\pm 5V$ supply. The differential mode input range (DMIR) between the two inputs is from -2.3V to +2.3V. The input voltage range at the REF pin is from -3.3V to 3.8V. If the input common mode or differential mode signal is outside the above-specified ranges, it will cause the output signal to become distorted.

The output of the EL5171 and EL5371 can swing from -3.9V to +3.9V at $1k\Omega$ differential load at $\pm 5V$ supply. As the load resistance becomes lower, the output swing is reduced.

Differential and Common Mode Gain Settings

For EL5171, since the I_{N-} pin and REF pin are bound together as the REF pin in an 8 Ld package, the signal at the REF pin is part of

the common mode signal and also part of the differential mode signal. For the true balance differential outputs, the REF pin must be tied to the same bias level as the I_{N+} pin. For a $\pm 5V$ supply, just tie the REF pin to GND if the I_{N+} pin is biased at 0V with a 50Ω or 75Ω termination resistor. For a single supply application, if the I_{N+} is biased to half of the rail, the REF pin should be biased to half of the rail also.

The gain setting for EL5171 is expressed in Equation 1:

$$V_{ODM} = V_{IN+} \times \left(1 + \frac{R_{F1} + R_{F2}}{R_G} \right)$$

$$V_{OCM} = V_{REF} = 0V$$

$$V_{ODM} = V_{IN+} \times \left(1 + \frac{2R_F}{R_G} \right) \quad (EQ. 1)$$

Where:

- $V_{REF} = 0V$
- $R_{F1} = R_{F2} = R_F$

The EL5371 has a separate I_{N-} pin and REF pin. It can be used as a single/differential ended to differential converter. The voltage applied at REF pin can set the output common mode voltage and the gain is one.

The gain setting for EL5371 is expressed in Equation 2:

$$V_{OCM} = V_{REF}$$

$$V_{ODM} = (V_{IN+} - V_{IN-}) \times \left(1 + \frac{R_{F1} + R_{F2}}{R_G} \right)$$

$$V_{ODM} = (V_{IN+} - V_{IN-}) \times \left(1 + \frac{2R_F}{R_G}\right) \quad (\text{EQ. 2})$$

Where:

- $R_{F1} = R_{F2} = R_F$

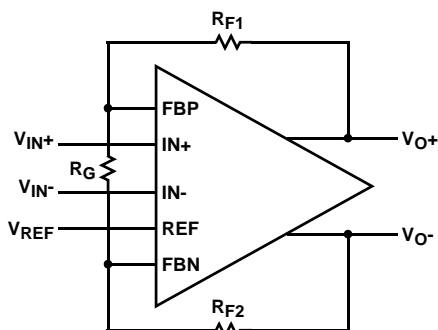


FIGURE 26.

Choice of Feedback Resistor and Gain Bandwidth Product

For applications that require a gain of +1, no feedback resistor is required. Just short the OUT+ pin to the FBP pin and the OUT- pin to the FBN pin. For gains greater than +1, the feedback resistor forms a pole with the parasitic capacitance at the inverting input. As this pole becomes smaller, the amplifier's phase margin is reduced. This causes ringing in the time domain and peaking in the frequency domain. Therefore, R_F has some maximum value that should not be exceeded for optimum performance. If a large value of R_F must be used, a small capacitor in the few Pico farad range in parallel with R_F can help to reduce the ringing and peaking at the expense of reducing the bandwidth.

The bandwidth of the EL5171 and EL5371 depends on the load and the feedback network. R_F and R_G appear in parallel with the load for gains other than +1. As this combination gets smaller, the bandwidth falls off. Consequently, R_F also has a minimum value that should not be exceeded for optimum bandwidth performance. For gain of +1, $R_F = 0$ is optimum. For the gains other than +1, optimum response is obtained with R_F between 500Ω to $1k\Omega$.

The EL5171 and EL5371 have a gain bandwidth product of 100MHz for $R_{LD} = 1k\Omega$. For gains ≥ 5 , their bandwidth can be predicted by Equation 3:

$$\text{Gain} \times \text{BW} = 100\text{MHz} \quad (\text{EQ. 3})$$

Driving Capacitive Loads and Cables

The EL5171 and EL5371 can drive 50pF differential capacitor in parallel with $1k\Omega$ differential load with less than 5dB of peaking at gain of +1. If less peaking is desired in applications, a small series resistor (usually between 5Ω to 50Ω) can be

placed in series with each output to eliminate most peaking. However, this will reduce the gain slightly. If the gain setting is greater than 1, the gain resistor R_G can then be chosen to make up for any gain loss, which may be created by the additional series resistor at the output.

When used as a cable driver, double termination is always recommended for reflection-free performance. For those applications, a back-termination series resistor at the amplifier's output will isolate the amplifier from the cable and allow extensive capacitive drive. However, other applications may have high capacitive loads without a back-termination resistor. Again, a small series resistor at the output can help to reduce peaking.

Disable/Power-Down (for EL5371 only)

The EL5371 can be disabled and its outputs placed in a high impedance state. The turn-off time is about $0.95\mu\text{s}$ and the turn-on time is about 215ns . When disabled, the amplifier's supply current is reduced to $1.7\mu\text{A}$ for I_{S+} and $120\mu\text{A}$ for I_{S-} typically, thereby effectively eliminating the power consumption. The amplifier's power-down can be controlled by standard CMOS signal levels at the ENABLE pin. The applied logic signal is relative to the V_{S+} pin. Letting the $\overline{\text{EN}}$ pin float or applying a signal that is less than 1.5V below V_{S+} will enable the amplifier. The amplifier will be disabled when the signal at the $\overline{\text{EN}}$ pin is above $V_{S+} - 0.5\text{V}$.

Output Drive Capability

The EL5171 and EL5371 have internal short circuit protection. Its typical short circuit current is $\pm 90\text{mA}$ for EL5171 and $\pm 70\text{mA}$ for EL5371. If the output is shorted indefinitely, the power dissipation could easily increase such that the part will be destroyed. Maximum reliability is maintained if the output current never exceeds $\pm 60\text{mA}$. This limit is set by the design of the internal metal interconnections.

Power Dissipation

With the high output drive capability of the EL5171 and EL5371, it is possible to exceed the $+135^\circ\text{C}$ absolute maximum junction temperature under certain load current conditions. Therefore, it is important to calculate the maximum junction temperature for the application to determine if the load conditions or package types need to be modified for the amplifier to remain in the safe operating area.

The maximum power dissipation allowed in a package is determined according to Equation 4:

$$PD_{MAX} = \frac{T_{JMAX} - T_{AMAX}}{\theta_{JA}} \quad (\text{EQ. 4})$$

Where:

- T_{JMAX} = Maximum junction temperature
- T_{AMAX} = Maximum ambient temperature
- θ_{JA} = Thermal resistance of the package

The maximum power dissipation actually produced by an IC is the total quiescent supply current times the total power supply

EL5171, EL5371

voltage, plus the power in the IC due to the load, or as represented in Equation 5:

$$PD = i \times \left(V_{STOT} \times I_{SMAX} + (V_{STOT} - \Delta V_O) \times \frac{\Delta V_O}{R_{LD}} \right) \quad (EQ. 5)$$

Where:

V_{STOT} = Total supply voltage = $V_{S+} - V_{S-}$

I_{SMAX} = Maximum quiescent supply current per channel

ΔV_O = Maximum differential output voltage of the application

R_{LD} = Differential load resistance

I_{LOAD} = Load current

i = Number of channels

By setting the two PD_{MAX} equations equal to each other, we can solve the output current and R_{LOAD} to avoid the device overheat.

Power Supply Bypassing and Printed Circuit Board Layout

As with any high frequency device, a good printed circuit board layout is necessary for optimum performance. Lead lengths should be as short as possible. The power supply pin must be well

bypassed to reduce the risk of oscillation. For normal single supply operation, where the V_{S-} pin is connected to the ground plane, a single 4.7 μ F tantalum capacitor in parallel with a 0.1 μ F ceramic capacitor from V_{S+} to GND will suffice. This same capacitor combination should be placed at each supply pin to ground if split supplies are to be used. In this case, the V_{S-} pin becomes the negative supply rail.

For good AC performance, parasitic capacitance should be kept to a minimum. Use of wire wound resistors should be avoided because of their additional series inductance. Use of sockets should also be avoided, if possible. Sockets add parasitic inductance and capacitance that can result in compromised performance. Minimizing parasitic capacitance at the amplifier's inverting input pin is very important. The feedback resistor should be placed very close to the inverting input pin. Strip line design techniques are recommended for the signal traces.

As the signal is transmitted through a cable, the high frequency signal will be attenuated. One way to compensate this loss is to boost the high frequency gain at the receiver side.

Typical Applications

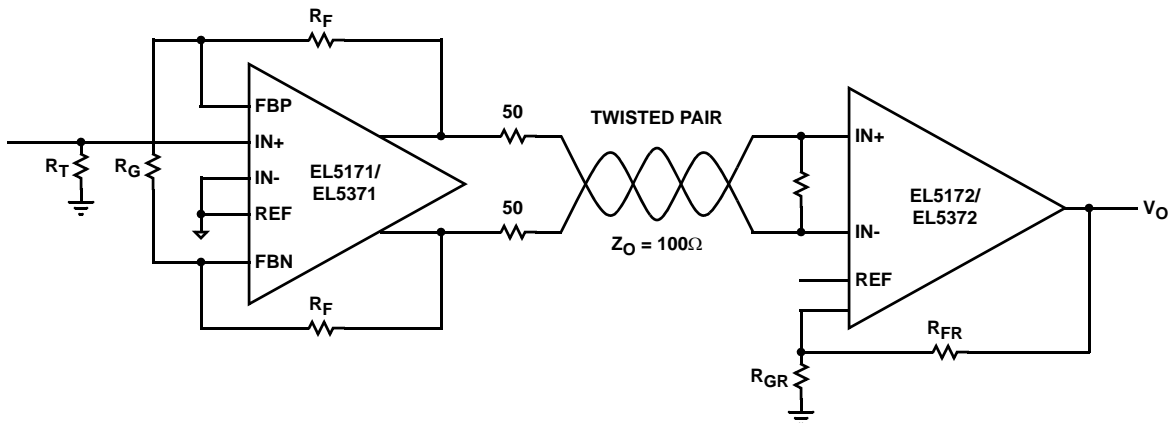
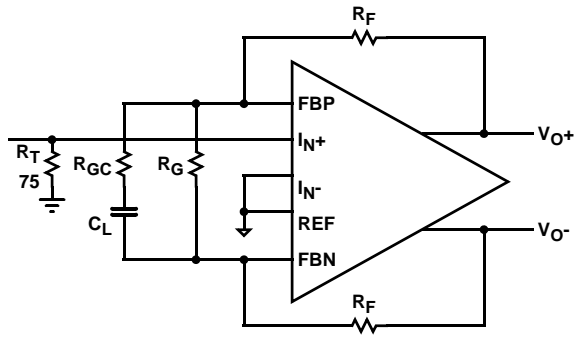
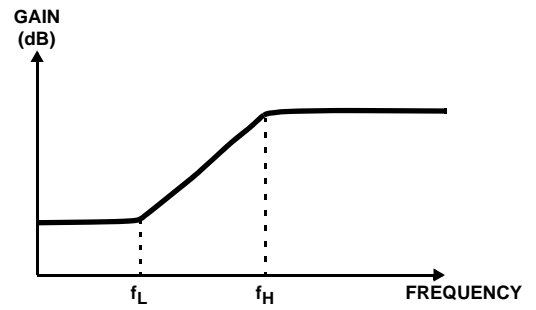


FIGURE 27. TWISTED PAIR CABLE RECEIVER



$$\text{DC Gain} = 1 + \frac{2R_F}{R_G}$$

$$\text{(HF)Gain} = 1 + \frac{2R_F}{R_G \parallel R_{GC}}$$



$$f_L \cong \frac{1}{2\pi R_G C_C}$$

$$f_H \cong \frac{1}{2\pi R_{GC} C_C}$$

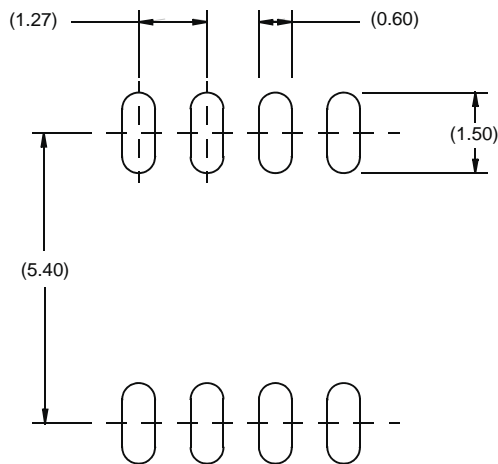
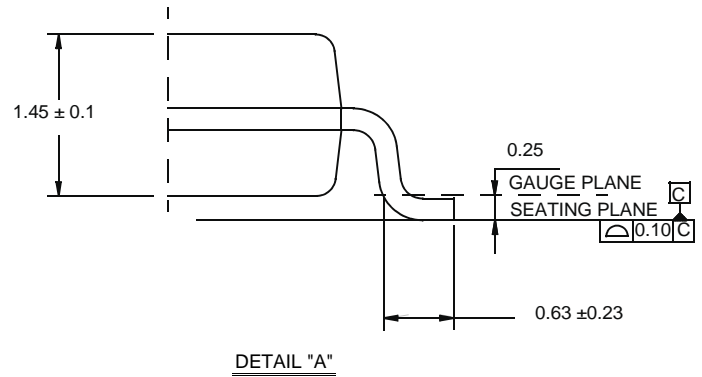
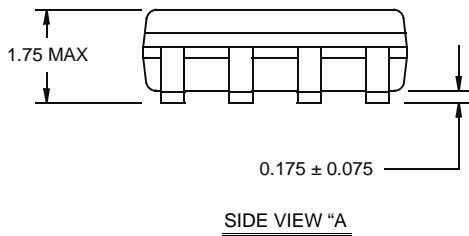
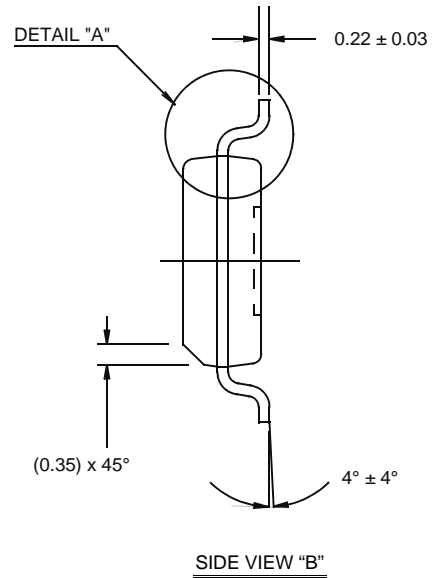
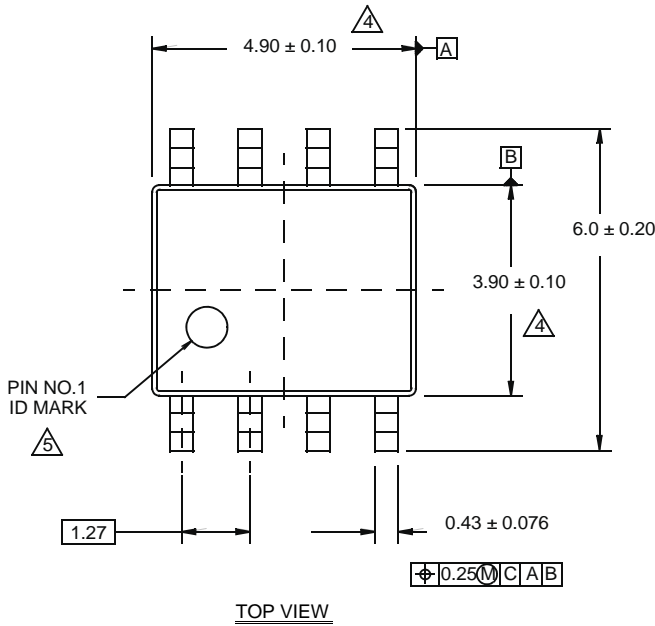
FIGURE 28. TRANSMIT EQUALIZER

Package Outline Drawing

M8.15E

8 LEAD NARROW BODY SMALL OUTLINE PLASTIC PACKAGE

Rev 0, 08/09

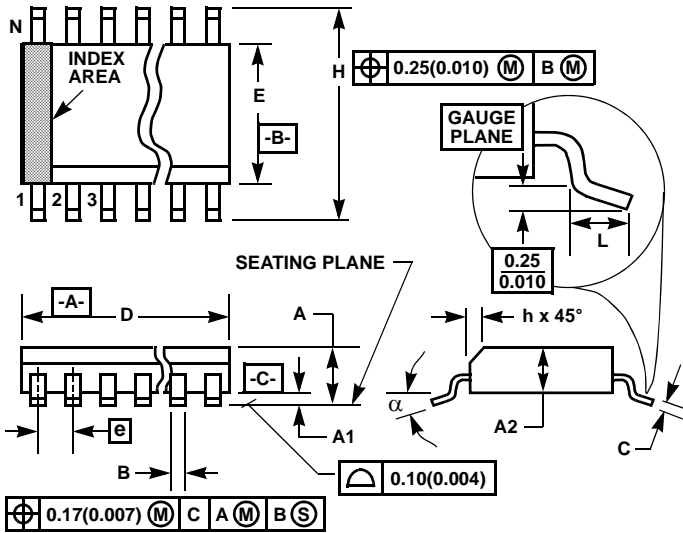


NOTES:

1. Dimensions are in millimeters.
Dimensions in () for Reference Only.
2. Dimensioning and tolerancing conform to AMSE Y14.5m-1994.
3. Unless otherwise specified, tolerance : Decimal ± 0.05
4. Dimension does not include interlead flash or protrusions.
Interlead flash or protrusions shall not exceed 0.25mm per side.
5. The pin #1 identifier may be either a mold or mark feature.
6. Reference to JEDEC MS-012.

EL5171, EL5371

Shrink Small Outline Plastic Packages (SSOP) Quarter Size Outline Plastic Packages (QSOP)



NOTES:

1. Symbols are defined in the "MO Series Symbol List" in Section 2.2 of Publication Number 95.
2. Dimensioning and tolerancing per ANSI Y14.5M-1982.
3. Dimension "D" does not include mold flash, protrusions or gate burrs. Mold flash, protrusion and gate burrs shall not exceed 0.15mm (0.006 inch) per side.
4. Dimension "E" does not include interlead flash or protrusions. Interlead flash and protrusions shall not exceed 0.25mm (0.010 inch) per side.
5. The chamfer on the body is optional. If it is not present, a visual index feature must be located within the crosshatched area.
6. "L" is the length of terminal for soldering to a substrate.
7. "N" is the number of terminal positions.
8. Terminal numbers are shown for reference only.
9. Dimension "B" does not include dambar protrusion. Allowable dambar protrusion shall be 0.10mm (0.004 inch) total in excess of "B" dimension at maximum material condition.
10. Controlling dimension: INCHES. Converted millimeter dimensions are not necessarily exact.

M28.15

28 LEAD SHRINK SMALL OUTLINE PLASTIC PACKAGE (0.150" WIDE BODY)

SYMBOL	INCHES		MILLIMETERS		NOTES
	MIN	MAX	MIN	MAX	
A	0.053	0.069	1.35	1.75	-
A1	0.004	0.010	0.10	0.25	-
A2	-	0.061	-	1.54	-
B	0.008	0.012	0.20	0.30	9
C	0.007	0.010	0.18	0.25	-
D	0.386	0.394	9.81	10.00	3
E	0.150	0.157	3.81	3.98	4
e	0.025 BSC		0.635 BSC		-
H	0.228	0.244	5.80	6.19	-
h	0.0099	0.0196	0.26	0.49	5
L	0.016	0.050	0.41	1.27	6
N	28		28		7
α	0°	8°	0°	8°	-

Rev. 1 6/04

For additional products, see www.intersil.com/product_tree

Intersil products are manufactured, assembled and tested utilizing ISO9000 quality systems as noted in the quality certifications found at www.intersil.com/design/quality

Intersil products are sold by description only. Intersil Corporation reserves the right to make changes in circuit design, software and/or specifications at any time without notice. Accordingly, the reader is cautioned to verify that data sheets are current before placing orders. Information furnished by Intersil is believed to be accurate and reliable. However, no responsibility is assumed by Intersil or its subsidiaries for its use; nor for any infringements of patents or other rights of third parties which may result from its use. No license is granted by implication or otherwise under any patent or patent rights of Intersil or its subsidiaries.

For information regarding Intersil Corporation and its products, see www.intersil.com



Стандарт Электрон Связь

Мы молодая и активно развивающаяся компания в области поставок электронных компонентов. Мы поставляем электронные компоненты отечественного и импортного производства напрямую от производителей и с крупнейших складов мира.

Благодаря сотрудничеству с мировыми поставщиками мы осуществляем комплексные и плановые поставки широчайшего спектра электронных компонентов.

Собственная эффективная логистика и склад в обеспечивает надежную поставку продукции в точно указанные сроки по всей России.

Мы осуществляем техническую поддержку нашим клиентам и предпродажную проверку качества продукции. На все поставляемые продукты мы предоставляем гарантию .

Осуществляем поставки продукции под контролем ВП МО РФ на предприятия военно-промышленного комплекса России , а также работаем в рамках 275 ФЗ с открытием отдельных счетов в уполномоченном банке. Система менеджмента качества компании соответствует требованиям ГОСТ ISO 9001.

Минимальные сроки поставки, гибкие цены, неограниченный ассортимент и индивидуальный подход к клиентам являются основой для выстраивания долгосрочного и эффективного сотрудничества с предприятиями радиоэлектронной промышленности, предприятиями ВПК и научно-исследовательскими институтами России.

С нами вы становитесь еще успешнее!

Наши контакты:

Телефон: +7 812 627 14 35

Электронная почта: sales@st-electron.ru

Адрес: 198099, Санкт-Петербург,
Промышленная ул, дом № 19, литера Н,
помещение 100-Н Офис 331