

**10 × 38, 14 × 51, 22 × 58**

**CH Series**



**Features:**

- 10 ≈ 38 Dovetail design provides maximum flexibility in assembling multiple poles
- Touchsafe design - No exposed contacts
- DIN rail mount (35mm)
- Optional open fuse indication lights
- Excellent for switchboard panel, control consoles, small motors, transformers, and similar applications
- Handle/fusepuller to install and remove fuses easily
- Available in single and multi-pole configurations
- Circuit marking system (P/N CH10CL and CH10CM)
- Wire ready: Saves time as terminals are ready to accept wires.
- CE marking

**Specifications**

| Fuse Size (mm)              |                    | <b>10 × 38</b>         | <b>14 × 51</b>                | <b>22 × 56</b>                 |
|-----------------------------|--------------------|------------------------|-------------------------------|--------------------------------|
| Voltage                     | U.L./CSA***<br>IEC | 600V<br>690V           | 750V***<br>660V               | 750V***<br>660V                |
| Amperage                    | U.L./CSA***<br>IEC | 30A<br>32A             | 30A***<br>50A(See Watts Loss) | 50A***<br>125A(See Watts Loss) |
| Wire Size                   |                    | #8 - #18 Cu only       | #6 - #14 Cu only              | #1 - #14 Cu only               |
| Wire Type (& Temp.)         |                    | Solid/Stranded (75°)   | Solid/Stranded (75°)          | Solid/Stranded (75°)           |
| Torque (in-lbs)             |                    | 12 in-lbs              | 17.7 in-lbs                   | 22.1 in-lbs                    |
| IP Rating                   |                    | IP 20                  | IP 20                         | IP 20                          |
| Contact Material (fuseclip) |                    | Tin-plated copper      | Tin-plated copper             | Tin-plated copper              |
| Connector Material          |                    | Steel                  | Steel                         | Steel                          |
| Maximum Watts Loss of Fuse  |                    | 3W‡                    | 5W‡                           | 9.5W‡                          |
| Dual Wire Rating            |                    | Please consult factory |                               |                                |

| <b>10 × 38</b>           | 30A, 600V                          | 30A, 600V                        | 32A, 690V                   |
|--------------------------|------------------------------------|----------------------------------|-----------------------------|
| Description              | North American Class CC Fuseholder | North American Midget Fuseholder | European 10 ≈ 38 Fuseholder |
| 1 Pole                   | CHCC1                              | CHM1                             | CH101                       |
| 1 Pole w/Indication      | CHCC1I                             | CHM1I                            | CH101I                      |
| 2 Pole                   | CHCC2                              | CHM2                             | CH102                       |
| 2 Pole w/Indication      | CHCC2I                             | CHM2I                            | CH102I                      |
| 3 Pole                   | CHCC3                              | CHM3                             | CH103                       |
| 3 Pole w/Indication      | CHCC3I                             | CHM3I                            | CH103I                      |
| *Assembly Pins - 2 Poles | CH102AP                            | CH102AP                          | CH102AP                     |
| *Assembly Pins - 3 Poles | CH103AP                            | CH103AP                          | CH103AP                     |
| **Circuit markers        | CH10CM                             | CH10CM                           | CH10CM                      |
| **Circuit marker labels  | CH10CL                             | CH10CL                           | CH10CL                      |
| Spare Fuseholder         | 5TPH                               | 5TPH                             | 5TPH                        |

‡Refer to BIF documents 720003, 720008, 720025 and 720028 for watts loss of applicable fuses.  
 \*CH102AP and CH103AP are packaged in quantities of ten pins. One pin is required to gang units together, and rating multiple poles.  
 \*\*CH10CM are packaged in quantities of ten. CH10CL are packaged in quantities of ten sheets of labels.  
 \*\*\*U.L./CSA part numbers include U.L. suffix.

**Standards:**

**North American 10 × 38 Class CC**

Listed U.L. 512, Guide IZLT, File E14853  
 Certified CSA Std. C22.2 No. 39, Class 6225-01,  
 File LR47235

**North American 10 × 38 Midget**

U.L. Recognized 512, Guide IZLT2, File E14853  
 CSA Certified, Std. C22.2 No. 39, Class 6225-01,  
 File LR47235

**European 10 × 38 IEC 269-2 1**

**14 × 51 IEC 269-2\*\*\***

U.L. Recognized, CSA Certified

**22 × 58 IEC 269-2\*\*\***

U.L. Recognized, CSA Certified

**Recommended Buss® Fuse Types:**

- 10 ≈ 38 North American Class CC Fuses - LP-CC, FNQ-R, KTK-R
- 10 ≈ 38 North American Midget Fuses - FNQ, KTK, AGU, KLM, BAF, BAN, FNM, FWA, FWC, & FNQ
- 14 ≈ 51 Fuses - FWX, FWH, FWP & NON
- 22 ≈ 58 Fuses - FWP

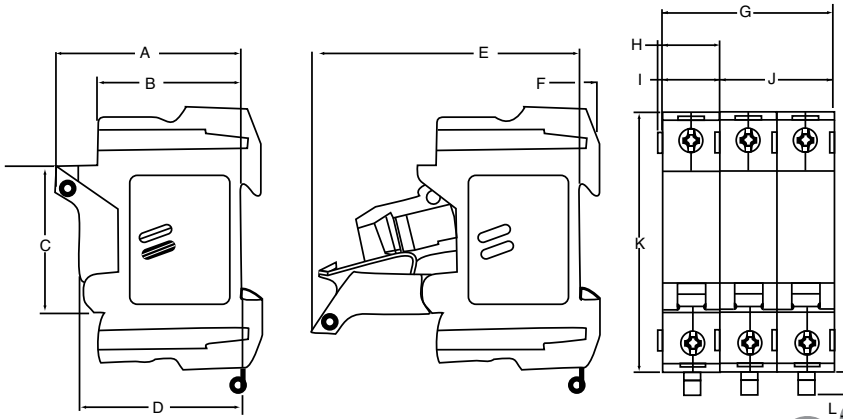
| Description              | <b>14 × 51</b> |           | <b>22 × 58</b> |           |
|--------------------------|----------------|-----------|----------------|-----------|
|                          | Part No.       | Ctn. Qty. | Part No.       | Ctn. Qty. |
| 1 Pole                   | CH141G         | 6         | CH221G         | 6         |
| 1 Pole w/U.L. markings   | CH141GUL       | 6         | CH221GUL       | 6         |
| 1 Pole w/microswitch     | CH141MSG       | 6         | CH221MSG       | 6         |
| 2 Pole                   | CH142G         | 3         | CH222G         | 3         |
| 3 Pole                   | CH143G         | 2         | CH223G         | 2         |
| 3 Pole w/U.L. markings   | CH143GUL       | 2         | CH223GUL       | 2         |
| 3 Pole w/microswitch     | CH143MSG       | 2         | CH223MSG       | 2         |
| Handle Profile - 2 Poles | CH142HCG       | 10        | CH222HCG       | 10        |
| Handle Profile - 3 Poles | CH143HCG       | 10        | CH223HCG       | 10        |

CE CE logo denotes compliance with European Union Low Voltage Directive (50-1000 Vac, 75-1500 Vdc). Refer to BIF document #8002 or contact Bussmann Application Engineering at 636-527-1270 for more information.

**10 × 38, 14 × 51, 22 × 58**

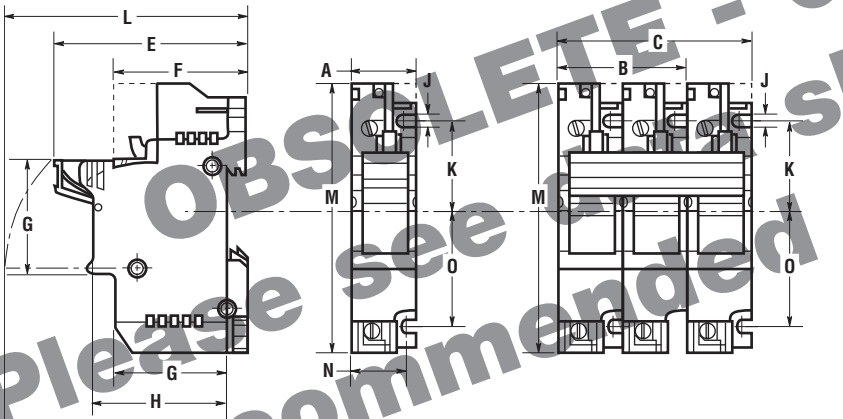
**CH Series**

**Size: 10 × 38 Fuseholder**



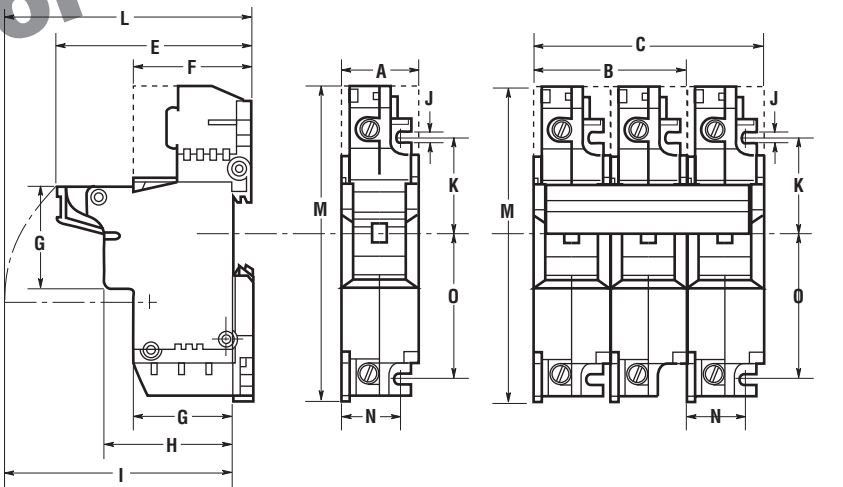
|          | in   | (mm)   |          | in   | (mm)   |
|----------|------|--------|----------|------|--------|
| <b>A</b> | 2.26 | (57.5) | <b>G</b> | 2.07 | (52.5) |
| <b>B</b> | 1.73 | (44.0) | <b>H</b> | 0.75 | (19.0) |
| <b>C</b> | 1.78 | (45.2) | <b>I</b> | 0.69 | (17.5) |
| <b>D</b> | 1.97 | (49.9) | <b>J</b> | 1.38 | (35.0) |
| <b>E</b> | 3.24 | (82.2) | <b>K</b> | 3.18 | (80.7) |
| <b>F</b> | 0.24 | (6.0)  | <b>L</b> | 0.30 | (7.6)  |

**Size: 14 × 51 Fuseholder**



|          | in   | (mm)   |          | in   | (mm)    |
|----------|------|--------|----------|------|---------|
| <b>A</b> | 0.98 | (26.0) | <b>I</b> | 3.50 | (89.0)  |
| <b>B</b> | 2.05 | (52.0) | <b>J</b> | 0.20 | (5.0)   |
| <b>C</b> | 3.07 | (78.0) | <b>K</b> | 1.28 | (32.5)  |
| <b>E</b> | 3.19 | (81.0) | <b>L</b> | 3.86 | (98.0)  |
| <b>F</b> | 2.11 | (53.5) | <b>M</b> | 4.17 | (106.0) |
| <b>G</b> | 1.75 | (44.5) | <b>N</b> | 0.83 | (21.0)  |
| <b>H</b> | 2.07 | (52.6) | <b>O</b> | 1.72 | (43.8)  |

**Size: 22 × 58 Fuseholder**



|          | in   | (mm)    |          | in   | (mm)    |
|----------|------|---------|----------|------|---------|
| <b>A</b> | 1.38 | (35.0)  | <b>I</b> | 4.06 | (103.0) |
| <b>B</b> | 2.76 | (70.0)  | <b>J</b> | 0.18 | (4.5)   |
| <b>C</b> | 4.13 | (105.0) | <b>K</b> | 1.77 | (45.0)  |
| <b>E</b> | 3.46 | (88.0)  | <b>L</b> | 4.41 | (112.0) |
| <b>F</b> | 2.09 | (53.0)  | <b>M</b> | 5.51 | (140.0) |
| <b>G</b> | 1.77 | (45.0)  | <b>N</b> | 1.04 | (26.5)  |
| <b>H</b> | 2.28 | (58.0)  | <b>O</b> | 2.48 | (63.0)  |

The only controlled copy of this BIF document is the electronic read-only version located on the Bussmann Network Drive. All other copies of this document are by definition uncontrolled. This bulletin is intended to clearly present comprehensive product data and provide technical information that will help the end user with design applications. Bussmann reserves the right, without notice, to change design or construction of any products and to discontinue or limit distribution of any products. Bussmann also reserves the right to change or update, without notice, any technical information contained in this bulletin. Once a product has been selected, it should be tested by the user in all possible applications.



## Стандарт Электрон Связь

Мы молодая и активно развивающаяся компания в области поставок электронных компонентов. Мы поставляем электронные компоненты отечественного и импортного производства напрямую от производителей и с крупнейших складов мира.

Благодаря сотрудничеству с мировыми поставщиками мы осуществляем комплексные и плановые поставки широчайшего спектра электронных компонентов.

Собственная эффективная логистика и склад в обеспечивает надежную поставку продукции в точно указанные сроки по всей России.

Мы осуществляем техническую поддержку нашим клиентам и предпродажную проверку качества продукции. На все поставляемые продукты мы предоставляем гарантию .

Осуществляем поставки продукции под контролем ВП МО РФ на предприятия военно-промышленного комплекса России , а также работаем в рамках 275 ФЗ с открытием отдельных счетов в уполномоченном банке. Система менеджмента качества компании соответствует требованиям ГОСТ ISO 9001.

Минимальные сроки поставки, гибкие цены, неограниченный ассортимент и индивидуальный подход к клиентам являются основой для выстраивания долгосрочного и эффективного сотрудничества с предприятиями радиоэлектронной промышленности, предприятиями ВПК и научно-исследовательскими институтами России.

С нами вы становитесь еще успешнее!

### Наши контакты:

**Телефон:** +7 812 627 14 35

**Электронная почта:** [sales@st-electron.ru](mailto:sales@st-electron.ru)

**Адрес:** 198099, Санкт-Петербург,  
Промышленная ул, дом № 19, литера Н,  
помещение 100-Н Офис 331