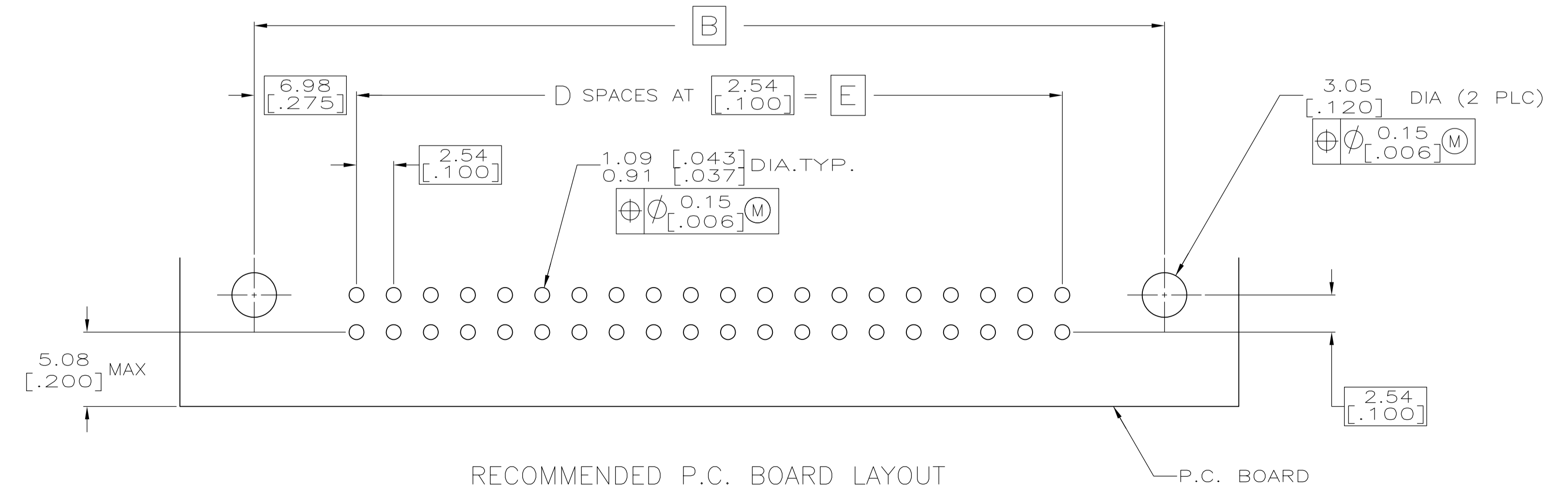
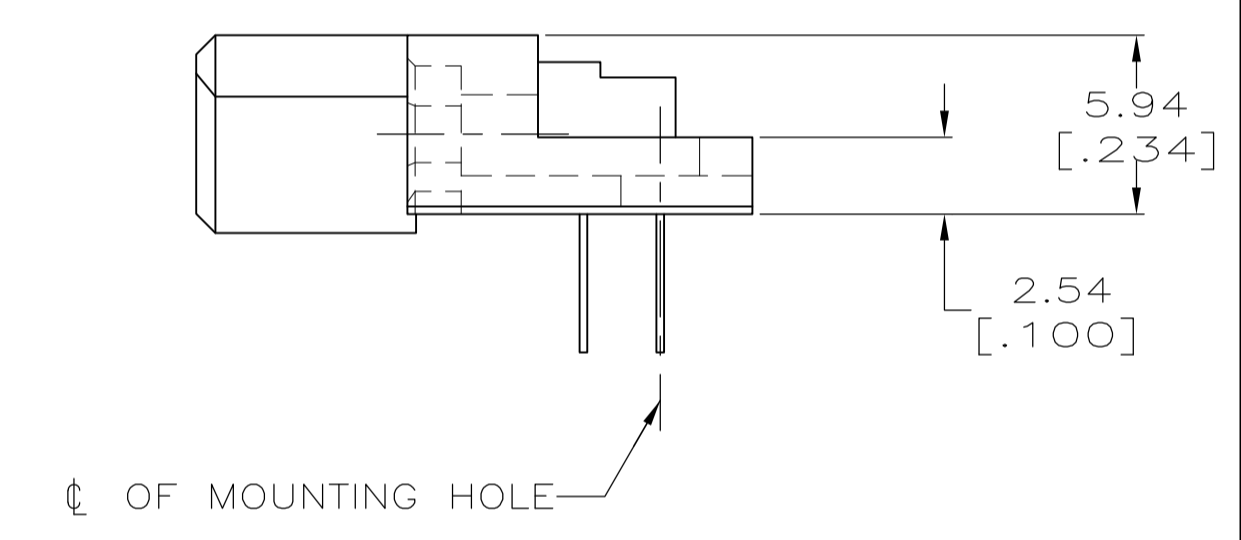
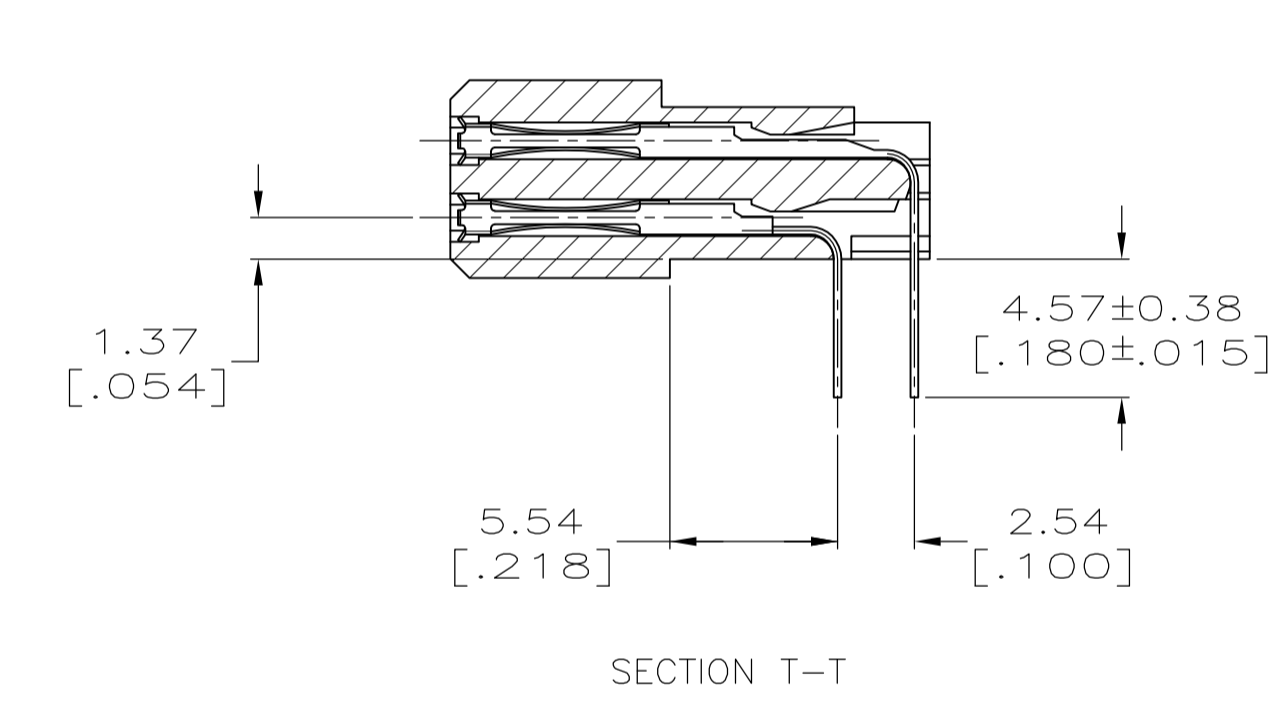
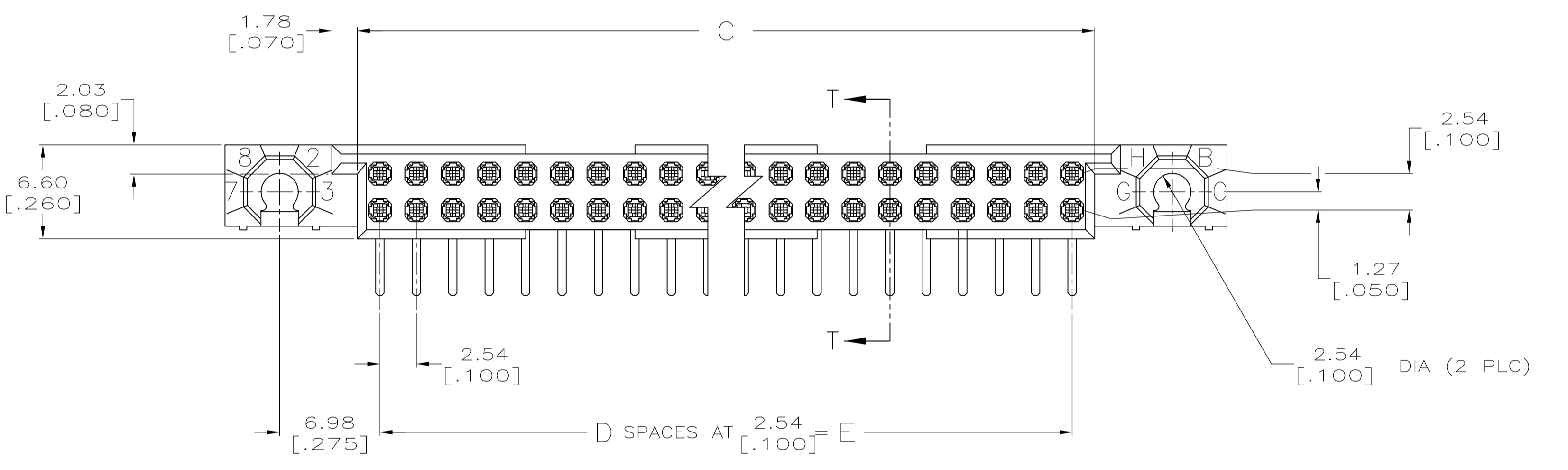
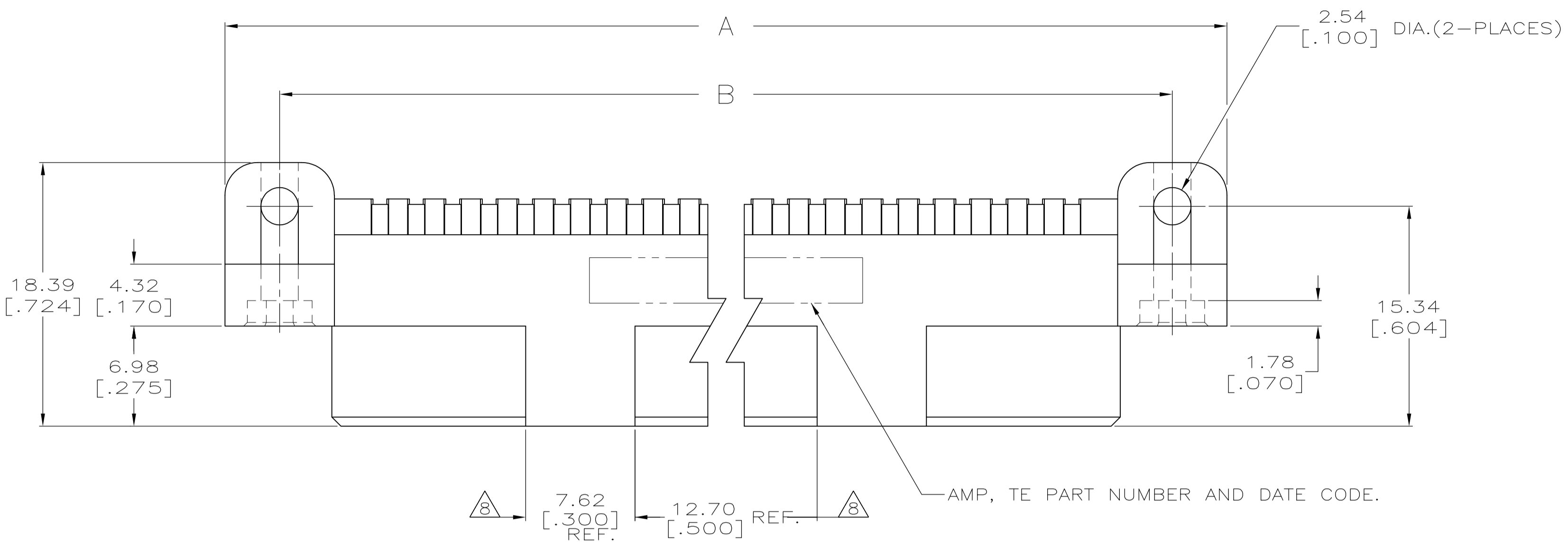


THIS DRAWING IS A CONTROLLED DOCUMENT. DWG NO. 532428



THIS INFORMATION IS CONFIDENTIAL AND PROPRIETARY TO TE CONNECTIVITY AND ITS AFFILIATES. IT IS NOT TO BE DISCLOSED, REPRODUCED, COPIED, OR TRANSMITTED IN ANY FORM OR BY ANY MEANS, WITHOUT AUTHORIZATION FROM TE CONNECTIVITY.

| | | | | | | | |
|---|---------------------------|-----------------|------|-------------|-----------|--------------------|--------|
| DWG: R.K. SEIFRIED | | DATE: 06/14/90 | | MATERIAL: - | | HEAT TREAT: - | |
| CHK: G.E.SKIPPER | | DATE: 3/29/94 | | APVD: - | | TE Connectivity | |
| NAME: HDI, 2 ROW, RECEPTACLE ASSEMBLY, 4.57 [0.180] LONG SOLDER TAILS | | SCALE: 4:1 | | SIZE: A1 | | DRAWING NO: 532428 | |
| REVISION RECORD | | DATE | | DWG | | APVD | |
| U | REVISED PER ECO-16-009924 | 7JUL2016 | DS | SY | ANGLES: - | SURFACE TEXTURE: √ | |
| P | LTR | REVISION RECORD | DATE | DWG | APVD | SCALE | SIZE |
| | | | | | | 4:1 | A1 |
| | | | | | | 532428 | 1 of 2 |
| | | | | | | | REV U |

- 1 HOUSING MATERIAL: THERMOPLASTIC, COLOR-NATURAL, COLOR IS BLACK FOR P/N 1-532428-0.
- 2 CONTACT MATERIAL: COPPER ALLOY.
- 3 FINISH: MATING AREA: MEETS THE PERFORMANCE REQUIREMENTS OF PRODUCT SPECIFICATION 108-9063; BASED ON TELCORDIA DR-1217-CORE APPLICATIONS IN UNCONTROLLED ENVIRONMENTS. SOLDER TAILS AREA: TIN-LEAD PLATED.
- 4 SOLDER TAILS MUST FIT HOLE PATTERN AS SHOWN ON THE RECOMMENDED P.C. BOARD LAYOUT.
- 5 DIMENSIONS IN BRACKETS ARE IN INCHES.
- 6 HOUSINGS WITH CENTER MOUNTING IS RECOMMENDED FOR ASSEMBLIES HAVING 75 CONTACTS PER ROW OR MORE.
- 7 PART NUMBER IS OBSOLETE.
- 8 QUANTITIES OF VOID CORING ARE DEPENDENT ON THE POSITION SIZE OF THE HOUSING.
- 9 OBSOLETE PARTS: OBSOLETE CIS STREAMLINING PER D.RENAUD/D.SINISI
- 10 FINISH: CONTACT FINISH: .00127-.00254 [.000050-.000100] NICKEL UNDERPLATE ALL OVER; .000762 [.000030] GOLD PLATE IN CONTACT AREA, TIN-LEAD PLATED POSTS.

| | | | | | | |
|-------------------|-----|--------------------|--------------------|--------------------|------|-------------|
| 226.06 [8.900] | 89 | 229.21 [9.024] | 240.03 [9.450] | 247.65 [9.750] | 180 | 4-532428-8 |
| 200.66 [7.900] | 79 | 203.81 [8.024] | 214.63 [8.450] | 222.25 [8.750] | 160 | 4-532428-6 |
| 251.46 [9.900] | 99 | 254.61 [10.024] | 265.43 [10.450] | 273.05 [10.750] | 200 | 4-532428-5 |
| 175.26 [6.900] | 69 | 178.41 [7.024] | 189.23 [7.450] | 196.85 [7.750] | 140 | 4-532428-3 |
| 149.86 [5.900] | 59 | 153.01 [6.024] | 163.83 [6.450] | 171.45 [6.750] | 120 | 4-532428-1 |
| 124.46 [4.900] | 49 | 127.61 [5.024] | 138.43 [5.450] | 146.05 [5.750] | 100 | 3-532428-9 |
| 99.06 [3.900] | 39 | 102.21 [4.024] | 113.03 [4.450] | 120.65 [4.750] | 80 | 3-532428-7 |
| 73.66 [2.900] | 29 | 76.81 [3.024] | 87.63 [3.450] | 95.25 [3.750] | 60 | 3-532428-5 |
| 60.96 [2.400] | 24 | 64.11 [2.524] | 74.93 [2.950] | 82.55 [3.250] | 50 | 3-532428-4 |
| 48.26 [1.900] | 19 | 51.41 [2.024] | 62.23 [2.450] | 69.85 [2.750] | 40 | 3-532428-3 |
| 210.82 [8.300] | 83 | 213.97 [8.424] | 224.79 [8.850] | 232.41 [9.150] | 168 | 2-532428-1 |
| --- | --- | --- | --- | --- | --- | 2-532428-0 |
| --- | --- | --- | --- | --- | --- | 1-532428-9 |
| 226.06 [8.900] | 89 | 229.21 [9.024] | 240.03 [9.450] | 247.65 [9.750] | 180 | 1-532428-8 |
| --- | --- | --- | --- | --- | --- | 1-532428-7 |
| 200.66 [7.900] | 79 | 203.81 [8.024] | 214.63 [8.450] | 222.25 [8.750] | 160 | 1-532428-6 |
| 251.46 [9.900] | 99 | 254.61 [10.024] | 265.43 [10.450] | 273.05 [10.750] | 200 | 1-532428-5 |
| 187.96 [7.400] | 74 | 191.11 [7.524] | 201.93 [7.950] | 209.55 [8.250] | 150 | 1-532428-4 |
| 175.26 [6.900] | 69 | 178.41 [7.024] | 189.23 [7.450] | 196.85 [7.750] | 140 | 1-532428-3 |
| --- | --- | --- | --- | --- | --- | 1-532428-2 |
| 149.86 [5.900] | 59 | 153.01 [6.024] | 163.83 [6.450] | 171.45 [6.750] | 120 | 1-532428-1 |
| 137.16 [5.400] | 54 | 140.31 [5.524] | 151.13 [5.950] | 158.75 [6.250] | 110 | 1-532428-0 |
| 124.46 [4.900] | 49 | 127.61 [5.024] | 138.43 [5.450] | 146.05 [5.750] | 100 | 532428-9 |
| --- | --- | --- | --- | --- | --- | 532428-8 |
| 99.06 [3.900] | 39 | 102.21 [4.024] | 113.03 [4.450] | 120.65 [4.750] | 80 | 532428-7 |
| 86.36 [3.400] | 34 | 89.51 [3.524] | 100.33 [3.950] | 107.95 [4.250] | 70 | 532428-6 |
| 73.66 [2.900] | 29 | 76.81 [3.024] | 87.63 [3.450] | 95.25 [3.750] | 60 | 532428-5 |
| 60.96 [2.400] | 24 | 64.11 [2.524] | 74.93 [2.950] | 82.55 [3.250] | 50 | 532428-4 |
| 48.26 [1.900] | 19 | 51.41 [2.024] | 62.23 [2.450] | 69.85 [2.750] | 40 | 532428-3 |
| --- | --- | --- | --- | --- | --- | 532428-2 |
| 22.86 [.900] | 9 | 26.01 [1.024] | 36.83 [1.450] | 44.45 [1.750] | 20 | 532428-1 |
| E | D | C | B | A | POSN | PART NUMBER |

| | | | | | | | | | |
|----------------------------|--|--|--|-----------------------------|--|-------------|--|--|--|
| DIMENSIONS: mm [INCHES] | | TOLERANCES UNLESS OTHERWISE SPECIFIED: | | DWN: R.K. SEIFRIED 06/14/90 | | MATERIAL: - | | HEAT TREAT: - | |
| 0 PLC ± - | | 1 PLC ± - | | CHK: G.E.SKIPPER 3/29/94 | | APVD: - | | NAME: HDI, 2 ROW, RECEPTACLE ASSEMBLY, 4.57 [1.80] LONG SOLDER TAILS | |
| 2 PLC ± - | | 3 PLC ± 0.13 [005] | | SCALE: 4:1 | | SIZE: A1 | | DRAWING NO: 532428 | |
| 4 PLC ± - | | SURFACE TEXTURE: √ | | SHEET: 2 of 2 | | REV: U | | REV: U | |



**Стандарт
Электрон
Связь**

Мы молодая и активно развивающаяся компания в области поставок электронных компонентов. Мы поставляем электронные компоненты отечественного и импортного производства напрямую от производителей и с крупнейших складов мира.

Благодаря сотрудничеству с мировыми поставщиками мы осуществляем комплексные и плановые поставки широчайшего спектра электронных компонентов.

Собственная эффективная логистика и склад в обеспечивает надежную поставку продукции в точно указанные сроки по всей России.

Мы осуществляем техническую поддержку нашим клиентам и предпродажную проверку качества продукции. На все поставляемые продукты мы предоставляем гарантию .

Осуществляем поставки продукции под контролем ВП МО РФ на предприятия военно-промышленного комплекса России , а также работаем в рамках 275 ФЗ с открытием отдельных счетов в уполномоченном банке. Система менеджмента качества компании соответствует требованиям ГОСТ ISO 9001.

Минимальные сроки поставки, гибкие цены, неограниченный ассортимент и индивидуальный подход к клиентам являются основой для выстраивания долгосрочного и эффективного сотрудничества с предприятиями радиоэлектронной промышленности, предприятиями ВПК и научно-исследовательскими институтами России.

С нами вы становитесь еще успешнее!

Наши контакты:

Телефон: +7 812 627 14 35

Электронная почта: sales@st-electron.ru

Адрес: 198099, Санкт-Петербург,
Промышленная ул, дом № 19, литера Н,
помещение 100-Н Офис 331