



MICRO SWITCH™
Miniature Sealed Basic Switches
SE and XE Series



MICRO SWITCH™ SE and XE Series

Miniature Sealed Basic Switches

Honeywell SE and XE miniature sealed basic switches are designed for precise and reliable position indication of critical applications on aircraft and military systems. The applications range from military and commercial aircraft and helicopters to military land vehicles (track and wheeled vehicles). These switches are also suitable for other commercial and industrial applications where a degree of environmental sealing is required.

The environmentally sealed SE Series is designed for demanding applications where water and/or particulate contaminant is present along with the potential for a wide range of temperatures. The SE Series incorporates the Honeywell time-proven MICRO SWITCH™ SM Series electromechanical switches in the SE housing.

The environmentally sealed miniature XE Series is similar to the SE Series except smaller in package size, utilizing the Honeywell MICRO SWITCH™ SX subminiature electromechanical switch. In addition, select Honeywell XE switches are MIL-PRF-8805 qualified satisfying the requirements where a military qualified or compliant switch is required.

To add to the versatility of the SE and XE family of products, CSA and UL certified products are available where the application is not aerospace or military related.

What makes our switches better?

- SE Series is certified by UL and CSA. XE Series holds approval from UL and within the family qualified to MIL-PRF-8805
- Built with high quality MICRO SWITCH™ switching mechanism: SE Series features MICRO SWITCH™ SM switches and XE Series is built with MICRO SWITCH™ SX switches
- Available with pin plungers or auxiliary levers to meet equipment requirements
- Designed for control of circuits ranging from logic level to power duty



***Big performance
in a little package.***

HIGH PERFORMANCE • DURABILITY
COMPACT • CUSTOMIZATION/CONFIGURABLE

Features and Benefits

MIL-QUALIFIED AND AGENCY CERTIFIED

Military qualified listings offered in the MICRO SWITCH™ XE product family are for onboard or support equipment as specified. UL and CSA certified products are available for use where the application is not aerospace or military related.

COMPACT AND SEALED

Miniature overall package size **requires less space on the equipment.** SE and XE Series switches are environmentally sealed in a small package for stringent indoor or outdoor applications where liquid and/or particulate contaminants are present.

Tiny, tough, and high-temp rated

WELL SUITED FOR HIGH TEMPERATURES

SE/XE switches boast temperature ratings from -53 °C to 105 °C [-65 °F to 221 °F] for design flexibility, with **high temperature options** to 149 °C [300 °F].

LOW VOLTAGE AND POWER DUTY CAPABILITY

SE/XE product are available with **silver contacts** for control of power duty circuits or **gold contacts** for control of logic level circuits.

LEVERS FURTHER EXPAND FUNCTIONALITY

Auxiliary actuators expand the capability of the products for additional applications.

RANGE OF TERMINATION OPTIONS

Electrical connectivity options include solder post, prelead with MIL-rated leadwire, or custom connectivity to **decrease installation time.**

Potential Applications



MILITARY AIRCRAFT AND HELICOPTERS

- Monitor doors or panels whether open/closed or locked/unlocked
- Mechanical position of actuators
- Valve position open or closed in conjunction with the hydraulics, fuel, and other systems
- Missile, bomb, and ordnance systems

COMMERCIAL AIRCRAFT AND HELICOPTERS

- Monitor doors or panels whether open/closed or locked/unlocked
- Mechanical position of actuators
- Valve position open or closed in conjunction with the hydraulics, fuel, and other systems



AVIATION GROUND SUPPORT EQUIPMENT

- Monitoring doors or panels
- Valve position whether open or closed

MILITARY LAND VEHICLES (TRACK AND WHEELED VEHICLES)

- Monitor position of doors, guards
- Monitor position of valves and solenoids

MICRO SWITCH™ Miniature Sealed Basic Switches

Table 1. Specifications

Characteristic	SE Series	XE Series
Description	environmentally sealed switch	environmentally sealed miniature switch
Housing material	Anodized aluminum	Anodized aluminum
Mechanical endurance	please contact info.sc@honeywell.com for details	25,000
Electrical endurance	please contact info.sc@honeywell.com for details	25,000
Circuitry	SPST (NC), SPST (NO), SPDT	SPST (NC), SPST (NO), SPDT
Electrical termination	epoxy sealed leadwire, (0,52 mm ² [20 awg]) or epoxy sealed solder pins	epoxy sealed leadwire, (0,52 mm ² [20 awg]) or epoxy sealed solder pins
Electrical rating	5 A @ 30 Vdc; 5 A @ 250 Vac, 60 Hz	7 A @ 28 Vdc; 7 A @ 250 Vac, 60 Hz
Sealing	Symbol 3 “watertight” per MIL-PRF-8805	Symbol 3 “watertight” per MIL-PRF-8805
Temperature range	-53 °C to 105 °C [-65 °F to 221 °F] (standard) -26 °C to 85 °C [-15 °F to 185 °F] (5SE Series)	-53 °C to 105 °C [-65°F to 221 °F] (standard) -26 °C to 85 °C [-15 °F to 185 °F] (5XE Series)
Temperature range (optional)	please contact info.sc@honeywell.com for details	-53 °C to 149 °C [-65°F to 300 °F] (14XE Series)
Vibration	Grade 2 (15 G) per MIL-PRF-8805	Grade 2 (15 G) per MIL-PRF-8805
Approvals	UL, CSA	UL, MIL-PRF-8805
Actuators	Top pin plunger, optional auxiliary actuators available	Top pin plunger, optional auxiliary actuators available

Table 2. Electrical Ratings

Rating code	SE/XE Series
A	Sea level @ 28 Vdc; 5 A res. and 3 A ind. 50,000 feet @ 28 Vdc; 5 A res. and 2.5 A ind. General purpose; 5 A res. and 5 A ind. at 125 or 250 Vac, 60 Hz
B	UL and CSA rating; 5 A at 125 or 250 Vac, 60 Hz
C	Sea level @ 28 Vdc; 7 A res. and 4 A ind. 50,000 feet @ 28 Vdc; 7 A res. and 2.5 A ind. General purpose; 7 A res. and 4 A ind. at 115 Vac, 400 Hz
D	UL rating; 7 A at 125 or 250 Vac, 60 Hz
E	Sea level @ 28 Vdc; 7 A res. and 4 A ind. 50,000 feet @ 28 Vdc; 7 A res and 2.5 A ind.
F	Logic level @ 28 Vdc; 1 amp res. and 0.50 A ind.

SE and XE Series

ELECTROMECHANICAL SWITCHES

Definitions below explain the meaning of operating characteristics. Characteristics shown in tables were chosen as most significant. They are taken at normal room temperature and humidity. These may vary as temperature and humidity conditions differ. Sketches show how characteristics are measured for in-line plunger actuation.

Linear dimensions for in-line actuation are from top of plunger to a reference line, usually the center of the mounting holes.

Differential Travel (D.T.) – Plunger or actuator travel from point where contacts “snap-over” to point where they “snap-back.”

Free Position (F.P.) – Position of switch plunger or actuator when no external force is applied (other than gravity).

Full Overtravel Force – Force required to attain full overtravel of actuator.

Operating Position (O.P.) – Position of switch plunger or actuator at which point contacts snap from normal to operated position. Note that in the case of flexible or adjustable actuators, the operating position is measured from the end of the lever or its maximum length. Location of operating position measurement shown on mounting dimension drawings.

Operating Force (O.F.) – Amount of force applied to switch plunger or actuator to cause contact “snap-over.” Note in the case of adjustable actuators, the force is measured from the maximum length position of the lever.

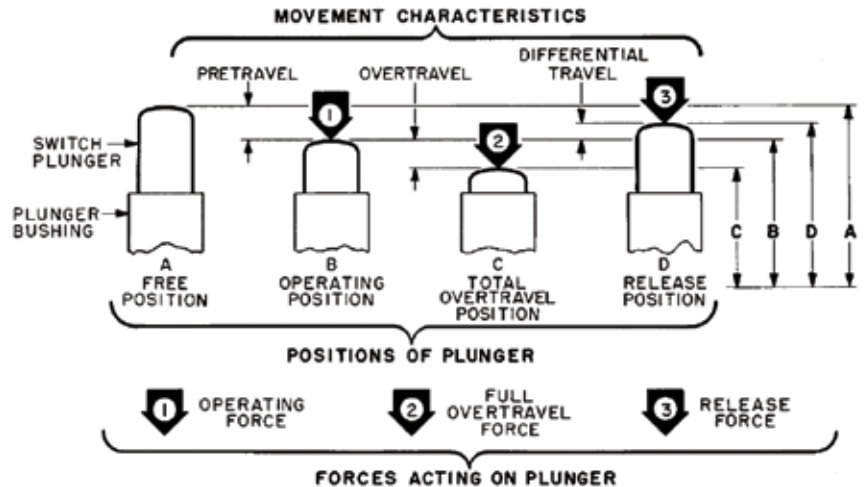
Overtravel (O.T.) – Plunger or actuator travel safely available beyond operating position.

Pretravel (P.T.) – Distance or angle traveled in moving plunger or actuator from free position to operating position.

Release Force (R.F.) – Amount of force still applied to switch plunger or actuator at moment contacts snap from operated position to unoperated position.

Total Travel (T.T.) – Distance from actuator free position to overtravel limit position.

IN-LINE PLUNGER ACTUATION





MICRO SWITCH™ Miniature Sealed Basic Switches

O.F. • Operating force
 R.F. • Release force
 P.T. • Pretravel
 O.T. • Overtravel
 D.T. • Differential travel
 O.P. • Operating position

MICRO SWITCH™ SE PRODUCT SPECIFICATIONS AND LISTINGS

Contact your Honeywell rep or distributor for additional listings



	Catalog Listing	Elect. Rating Spec. (page 5)	Contacts	Termination mm [in]	O.F. g [oz]	R.F. min. g [oz]	P.T. max. mm [inches]	O.T. min. mm [inches]	D.T. max. mm [inches]	O.P. nom. mm [inches]	Comment
 (see Figure 1)	1SE1	A	SPDT	Wire leads (3) 305 [12]	142 to 482 [5 to 17]	113 [4]	1,27 [0.050]	0,08 [0.003]	0,1 [0.004]	10,8 [0.425]	General purpose
	1SE2	A	SPST, NC	Wire leads (2) 305 [12]	142 to 482 [5 to 17]	113 [4]	1,27 [0.050]	0,08 [0.003]	0,1 [0.004]	10,8 [0.425]	Single circuit only
	1SE3	A	SPST, NO	Wire leads (2) 305 [12]	142 to 482 [5 to 17]	113 [4]	1,27 [0.050]	0,08 [0.003]	0,1 [0.004]	10,8 [0.425]	Single circuit only
	1SE401	F	SPDT	Wire leads (3) 305 [12]	142 to 482 [5 to 17]	113 [4]	1,27 [0.050]	0,08 [0.003]	0,1 [0.004]	10,8 [0.425]	Gold bifurcated contacts
	4SE1	B	SPDT	Wire leads (3) 305 [12]	142 to 482 [5 to 17]	113 [4]	1,27 [0.050]	0,08 [0.003]	0,1 [0.004]	10,8 [0.425]	UL, CSA
	5SE1	A	SPDT	Wire leads (3) 305 [12]	142 to 482 [5 to 17]	113 [4]	1,27 [0.050]	0,08 [0.003]	0,1 [0.004]	10,8 [0.425]	Oil resistant fluorosilicone seal
	7SE1	A	SPDT	Wire leads (3) 305 [12]	113 to 227 [4 to 8]	57 [2]	1,27 [0.050]	0,08 [0.003]	0,1 [0.004]	10,8 [0.425]	Lower force
 (see Figure 2)	1SE1-T	A	SPDT	Solder pins	142 to 482 [5 to 17]	113 [4]	1,27 [0.050]	0,08 [0.003]	0,1 [0.004]	10,8 [0.425]	Solder terminals
	12SE4-T	A	SPDT	Solder pins	142 to 539 [5 to 19]	113 [4]	1,27 [0.050]	0,08 [0.003]	0,1 [0.004]	10,8 [0.425]	Higher force

SE and XE Series

O.F. • Operating force
 R.F. • Release force
 P.T. • Pretravel
 O.T. • Overtravel
 D.T. • Differential travel
 O.P. • Operating position

MICRO SWITCH™ XE PRODUCT SPECIFICATIONS AND LISTINGS

Contact your Honeywell rep or distributor for additional listings

	Catalog Listing	Elect. Rating Spec. (page 5)	Contacts	Termination mm [in]	O.F. g [oz]	R.F. min. g [oz]	P.T. max. mm [in]	O.T. min. mm [in]	D.T. max. mm [in]	O.P. nom. mm [in]	Comment
 (see Figure 3)	1XE1* [MS27994-1]	C	SPDT	Wire leads (3) 305 [12]	142 to 482 [5 to 17]	113 [4]	1,27 [0.050]	0,1 [0.004]	0,13 [0.005]	10,8 [0.425]	MIL-PRF 8805 applications
	1XE201* [MS27994-4]	C	SPDT	Wire leads (3) 305 [12]	142 to 482 [5 to 17]	113 [4]	1,27 [0.050]	0,1 [0.004]	0,13 [0.005]	10,8 [0.425]	MIL-PRF 8805 applications
	1XE2-3	C	SPNC	Wire leads (2) 914 [36]	142 to 482 [5 to 17]	113 [4]	1,27 [0.050]	0,1 [0.004]	0,13 [0.005]	10,8 [0.425]	Normally closed circuit
	1XE3	C	SPNO	Wire leads (3) 305 [12]	142 to 482 [5 to 17]	113 [4]	1,27 [0.050]	0,1 [0.004]	0,13 [0.005]	10,8 [0.425]	Normally open circuit
	1XE301* [MS27994-5]	F	SPDT	Wire leads (3) 305 [12]	142 to 482 [5 to 17]	113 [4]	1,27 [0.050]	0,1 [0.004]	0,13 [0.005]	10,8 [0.425]	Gold bifurcated contacts
	4XE1	D	SPDT	Wire leads (3) 305 [12]	142 to 482 [5 to 17]	113 [4]	1,27 [0.050]	0,1 [0.004]	0,13 [0.005]	10,8 [0.425]	UL
	5XE1	C	SPDT	Wire leads (3) 305 [12]	142 to 482 [5 to 17]	113 [4]	1,27 [0.050]	0,1 [0.004]	0,13 [0.005]	10,8 [0.425]	Oil resistant fluorosilicone seal
	14XE1	E	SPDT	Wire leads (3) 305 [12]	255 [9] max.	57 [2]	0,76 [0.030]	0,1 [0.004]	0,13 [0.005]	10,9 [0.430]	High temp. 149 °C [300 °F]
 (see Figure 4)	1XE401-T	F	SPDT	Solder pins	142 to 482 [5 to 17]	85 [3]	1,27 [0.050]	0,1 [0.004]	0,13 [0.005]	10,8 [0.425]	Gold bifurcated contacts
	14XE1-T	E	SPDT	Solder pins	255 [9] max.	57 [2]	0,76 [0.030]	0,1 [0.004]	0,13 [0.005]	10,9 [0.430]	High temp. 149 °C [300 °F]
	14XE1-T* [MS27994-3]	C	SPDT	Solder pins	142 to 482 [5 to 17]	113 [4]	1,27 [0.050]	0,1 [0.004]	0,13 [0.005]	10,8 [0.425]	Mil-PRF 8805

* Reference MIL-PRF-8805/32



MICRO SWITCH™ Miniature Sealed Basic Switches

MICRO SWITCH™ JE SERIES AUXILIARY ACTUATORS FOR THE MICRO SWITCH™ SE SERIES SWITCHES (specifications when assembled to 1SE1)

		Description	Actuator Length	Operating Force max.	Release Force min.	Pretravel max.	Overtravel min.	Differential Travel max.	Operating Point nom.	Free Position nom.
JE-1	 (see Figure 5)	Straight leaf (mounting hardware included)	16,8 mm [0.66 in]	340 g [12 oz]	57 g [2 oz]	3,81 mm [0.150 in]	0,38 mm [0.015 in]	0,64 mm [0.025 in]	11,2 mm [0.44 in]	15 mm [0.59 in]
JE-4	 (see Figure 6)	Roller leaf, roller rotated 90° to switch axis (mounting hardware included)	16,8 mm [0.66 in]	340 g [12 oz]	57 g [2 oz]	3,81 mm [0.150 in]	0,38 mm [0.015 in]	0,64 mm [0.025 in]	16,3 mm [0.64 in]	20,1 mm [0.79 in]
JE-5	 (see Figure 7)	Roller leaf (mounting hardware included)	15,2 mm [0.60 in]	340 g [12 oz]	57 g [2 oz]	3,81 mm [0.150 in]	0,38 mm [0.015 in]	0,64 mm [0.025 in]	16,3 mm [0.64 in]	20,1 mm [0.79 in]
JE-17	 (see Figure 8)	Roller leaf [reversed] (mounting hardware included)	15,2 mm [0.60 in]	340 g [12 oz]	57 g [2 oz]	3,81 mm [0.150 in]	0,38 mm [0.015 in]	0,64 mm [0.025 in]	16,3 mm [0.64 in]	20,1 mm [0.79 in]
JE-21	 (see Figure 9)	Roller lever	13,7 mm [0.540 in]	170 g [6 oz]	28 g [1 oz]	2,54 mm [0.100 in]	0,25 mm [0.01 in]	0,41 mm [0.016 in]	16,3 mm [0.64 in]	18,8 mm [0.74 in]
JE-22	 (see Figure 10)	Tandem roller lever	17,8 mm [0.700 in]	482 g [17 oz]	113 g [4 oz]	2,54 mm [0.100 in]	0,15 mm [0.006 in]	0,3 mm [0.012 in]	16,8 mm [0.66 in]	19,3 mm [0.76 in]

** Travel characteristics on tandem actuators vary with actual basic switch characteristics

MICRO SWITCH™ JM SERIES AUXILIARY ACTUATORS FOR THE MICRO SWITCH™ XE SERIES SWITCHES (specifications when assembled to 1XE1)

		Description	Actuator Length	Operating Force max.	Release Force min.	Pretravel max.	Overtravel min.	Differential Travel max.	Operating Point nom.	Free Position nom.
JM-1	 (see Figure 11)	Straight leaf (mounting hardware included)	11,4 mm [0.45 in]	595 g [21 oz]	85 g [3 oz]	3,18 mm [0.125 in]	0,23 mm [0.009 in]	0,3 mm [0.012 in]	10,8 mm [0.425 in]	14 mm [0.55 in]
JM-5	 (see Figure 12)	Roller leaf (mounting hardware included)	9,5 mm [0.375 in]	595 g [21 oz]	85 g [3 oz]	3,18 mm [0.125 in]	0,23 mm [0.009 in]	0,3 mm [0.012 in]	15,9 mm [0.625 in]	19,1 mm [0.75 in]

** Travel characteristics on tandem actuators vary with actual basic switch characteristics

SE and XE Series

PRODUCT AND ACTUATOR DIMENSIONS

Figure 1. MICRO SWITCH™ SE Dimensions, Wire Lead

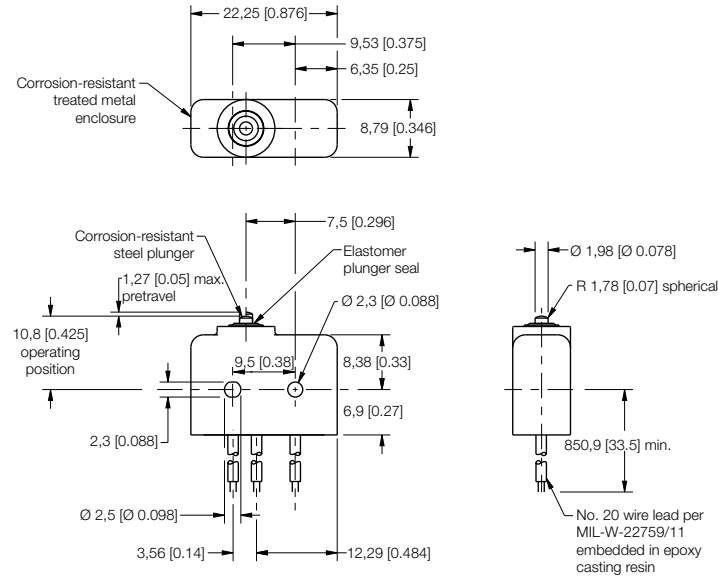


Figure 2. MICRO SWITCH™ SE Dimensions, Solder Terminal

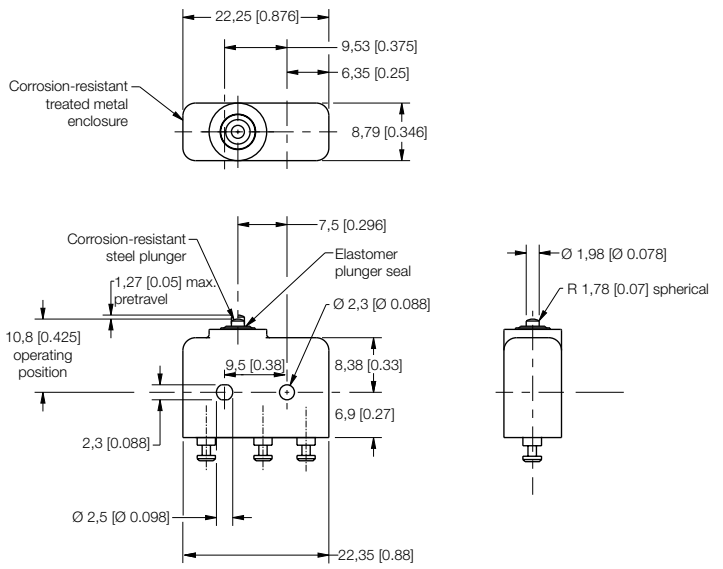


Figure 3. MICRO SWITCH™ XE Dimensions, Wire Lead

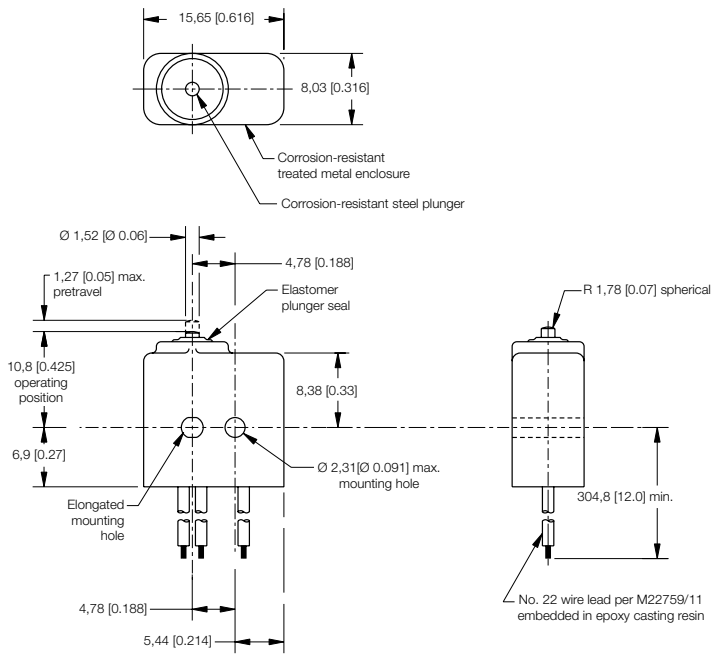
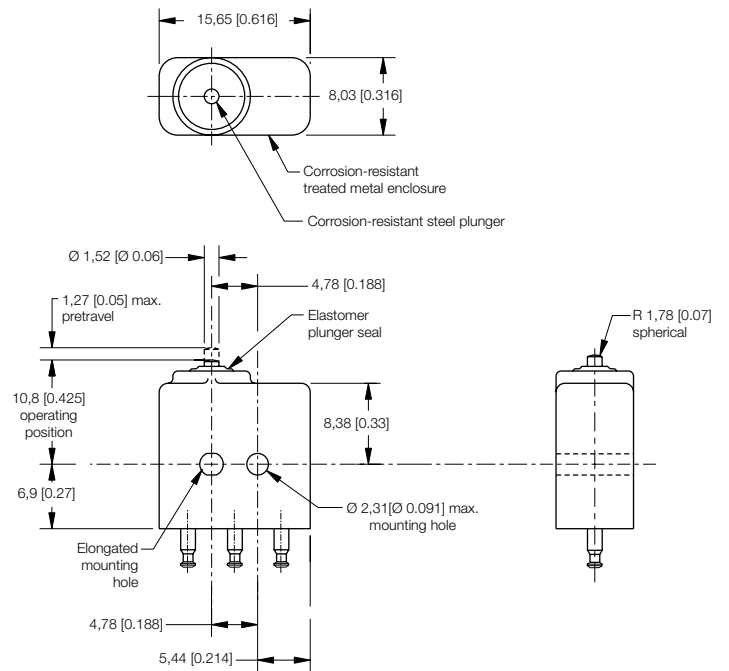


Figure 4. MICRO SWITCH™ XE Dimensions, Solder Terminal



MICRO SWITCH™ Miniature Sealed Basic Switches

Figure 5. JE-1 Dimensions

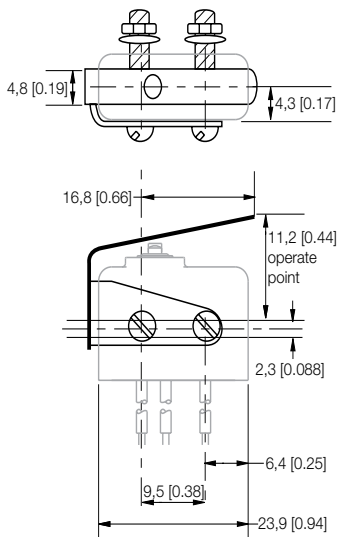


Figure 6. JE-4 Dimensions

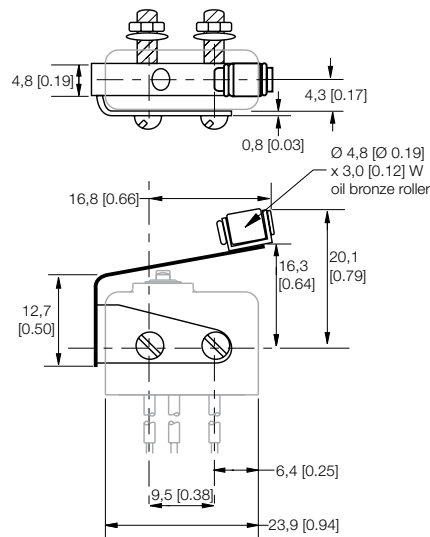


Figure 7. JE-5 Dimensions

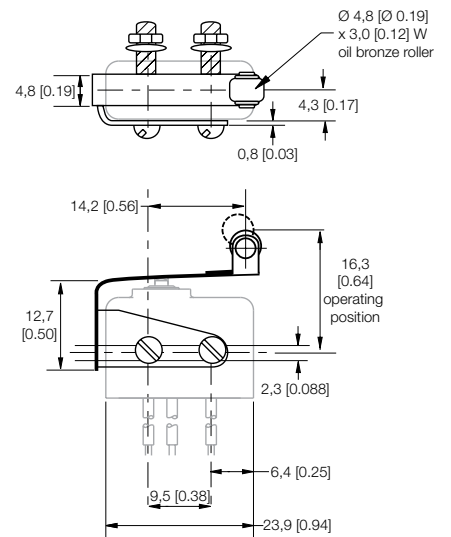


Figure 8. JE-17 Dimensions

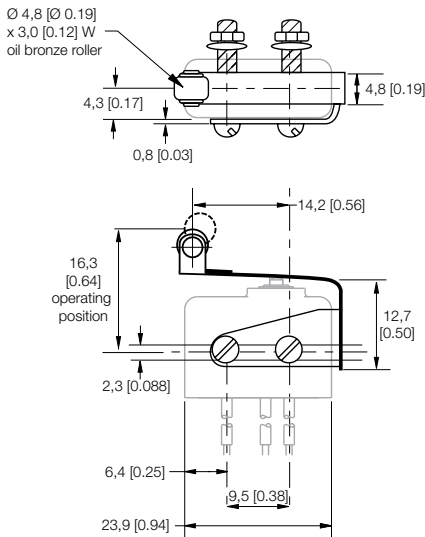


Figure 9. JE-21 Dimensions

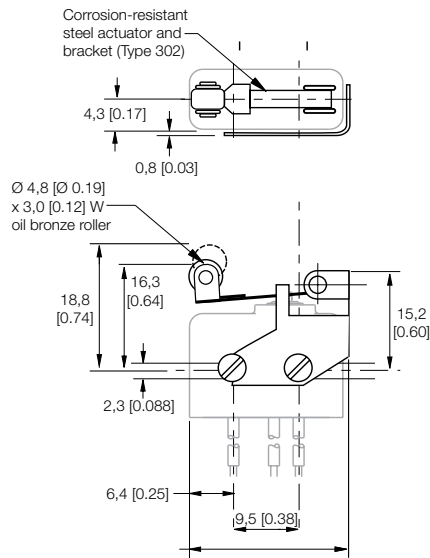


Figure 10. JE-22 Dimensions

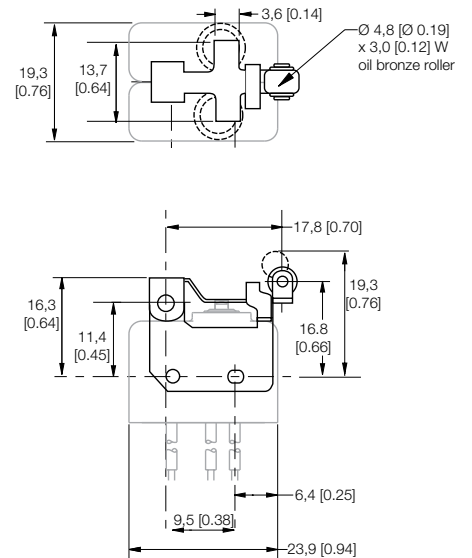


Figure 11. JM-1 Dimensions

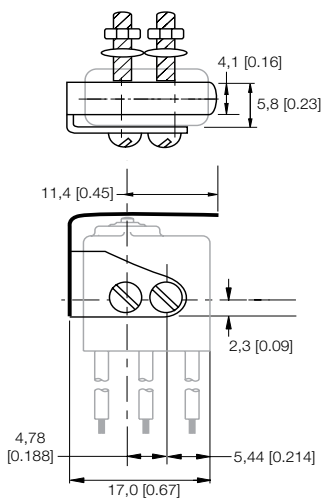
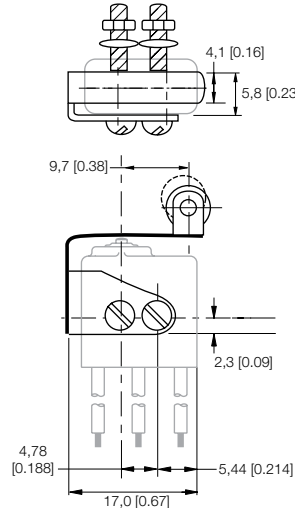


Figure 12. JM-5 Dimensions



SE and XE Series

This Honeywell datasheet supports the following MICRO SWITCH™ SE/XE Series Basic Switch Listings

12SE2	1SE3-12	1XE313	5SE223-6
12SE3-3	1SE3-2	1XE314	5SE3-3
12SE42	1SE3-3	1XE315	5SE3-6
12SE4-2	1SE3-3N26	1XE316	5SE3-N43
12SE4-T	1SE36	1XE3-4	5SE401-T
12SE5-T	1SE3-6	1XE401-6	5SE-N2
12SE6	1SE3-N26	1XE401-T	5XE1
12SE7	1SE3-T	1XE41	5XE1-6
14XE1	1SE401	1XE70	5XE17
14XE1-12	1SE401-3	1XE79-3	5XE17-2
14XE1-6	1SE401-6	1XE8	5XE18
14XE17	1SE402-3	1XE83	5XE1-T
14XE17-T	1SE402-6	1XE92	5XE401-1
14XE1-T	1SE403	1XE97	5XE401-T
14XE24	1SE4-2	1XE99-T	5XE75
14XE4	1SE61-T	2SE156-3	6SE1
14XE65	1SE65	2SE157-3	6SE173
14XE66	1SE65-N64	2SE321	6SE175-3
1SE1	1SE65-N65	2SE322	6SE315
1SE105	1SE65-N82	2SE323	6SE801
1SE112	1SE7	2SE4	6SE803
1SE1-12	1SE7-3	2SE6	6XE21-4
1SE113-3	1SE-N21	2SE62	6XE27-1
1SE114-8	1XE1	2SE89	6XE60-4
1SE118-8	1XE122	2XE59	7SE1
1SE119	1XE1-3	2XE68	7SE19
1SE1-2	1XE1-6	39SE10	7SE1-T
1SE120	1XE17	39SE11	7SE9-T
1SE1-3	1XE18	39SE21	7XE1
1SE1-3N26	1XE1-GN6	39SE22-R	91SE1
1SE144	1XE1-T	39SE7	91SE1-12
1SE144-6	1XE201	39SE8	91SE1-3
1SE146-3	1XE202	39SE9	91SE13-3
1SE1-6	1XE203	39XE400-1	91SE1-3N55
1SE1-6N26	1XE204	39XE96	91SE1-3N62
1SE178	1XE205	4SE1	91SE1-3N69
1SE193	1XE206	4SE1-3	91SE1-3N85
1SE197	1XE207	4SE1-6	91SE1-4
1SE198	1XE21	4SE171	91SE14-1GN70
1SE1-H58	1XE2-1	4XE1	91SE141GN77
1SE1-N79	1XE214	4XE1-4	91SE14-1GN77
1SE1-T	1XE217	5SE1	91SE14-1N71
1SE2	1XE22	5SE1-12	91SE14-1N78
1SE201	1XE2-2	5SE1-3	91SE1-6
1SE202	1XE2-3	5SE1-6	91SE1N72
1SE209	1XE24-2	5SE166-12	91SE1-TG
1SE211	1XE25-2	5SE1-6N26	91SE2
1SE216-6	1XE2-6	5SE175-12	91SE2-3
1SE227	1XE26-2	5SE183-2	91SE2-6
1SE2-3	1XE27-2	5SE1-N27	91SE3
1SE25-10	1XE3	5SE1-T	91SE3-3
1SE26	1XE301	5SE2-1	91SE3-3N52
1SE2-6	1XE304	5SE218	91SE3-GN67
1SE2-T	1XE306	5SE2181-3	91SE3-N52
1SE3	1XE311	5SE218-3	91SE3-N84

MICRO SWITCH™ Miniature Sealed Basic Switches

ADDITIONAL INFORMATION

The following associated literature is available on the Honeywell web site at sensing.honeywell.com:

- Product installation instructions
- Product range guide
- Aerospace and defense range guide

WARNING

PERSONAL INJURY

DO NOT USE these products as safety or emergency stop devices or in any other application where failure of the product could result in personal injury.

Failure to comply with these instructions could result in death or serious injury.

WARNING

MISUSE OF DOCUMENTATION

- The information presented in this product sheet is for reference only. Do not use this document as a product installation guide.
- Complete installation, operation, and maintenance information is provided in the instructions supplied with each product.

Failure to comply with these instructions could result in death or serious injury.

WARRANTY/REMEDY

Honeywell warrants goods of its manufacture as being free of defective materials and faulty workmanship. Honeywell's standard product warranty applies unless agreed to otherwise by Honeywell in writing; please refer to your order acknowledgement or consult your local sales office for specific warranty details. If warranted goods are returned to Honeywell during the period of coverage, Honeywell will repair or replace, at its option, without charge those items it finds defective. **The foregoing is buyer's sole remedy and is in lieu of all other warranties, expressed or implied, including those of merchantability and fitness for a particular purpose. In no event shall Honeywell be liable for consequential, special, or indirect damages.**

While we provide application assistance personally, through our literature and the Honeywell website, it is up to the customer to determine the suitability of the product in the application.

Specifications may change without notice. The information we supply is believed to be accurate and reliable as of this printing. However, we assume no responsibility for its use.

Find out more

Honeywell serves its customers through a worldwide network of sales offices, representatives and distributors. For application assistance, current specifications, pricing or name of the nearest Authorized Distributor, contact your local sales office.

To learn more about Honeywell's sensing and control products, call **+1-815-235-6847** or **1-800-537-6945**, visit **sensing.honeywell.com**, or e-mail inquiries to **info.sc@honeywell.com**

Sensing and Control
Honeywell
1985 Douglas Drive North
Golden Valley, MN 55422
honeywell.com

The Honeywell logo is displayed in a bold, red, sans-serif font.



Стандарт Электрон Связь

Мы молодая и активно развивающаяся компания в области поставок электронных компонентов. Мы поставляем электронные компоненты отечественного и импортного производства напрямую от производителей и с крупнейших складов мира.

Благодаря сотрудничеству с мировыми поставщиками мы осуществляем комплексные и плановые поставки широчайшего спектра электронных компонентов.

Собственная эффективная логистика и склад в обеспечивает надежную поставку продукции в точно указанные сроки по всей России.

Мы осуществляем техническую поддержку нашим клиентам и предпродажную проверку качества продукции. На все поставляемые продукты мы предоставляем гарантию .

Осуществляем поставки продукции под контролем ВП МО РФ на предприятия военно-промышленного комплекса России , а также работаем в рамках 275 ФЗ с открытием отдельных счетов в уполномоченном банке. Система менеджмента качества компании соответствует требованиям ГОСТ ISO 9001.

Минимальные сроки поставки, гибкие цены, неограниченный ассортимент и индивидуальный подход к клиентам являются основой для выстраивания долгосрочного и эффективного сотрудничества с предприятиями радиоэлектронной промышленности, предприятиями ВПК и научно-исследовательскими институтами России.

С нами вы становитесь еще успешнее!

Наши контакты:

Телефон: +7 812 627 14 35

Электронная почта: sales@st-electron.ru

Адрес: 198099, Санкт-Петербург,
Промышленная ул, дом № 19, литера Н,
помещение 100-Н Офис 331