

PLEASE CHECK WWW.MOLEX.COM FOR LATEST PART INFORMATION

Part Number: [0740611013](#)
Status: **Active**
Overview: [vhdm](#)
Description: 2.00mm (.079") Pitch VHDM® Board-to-Board Backplane Header, Vertical, 8-Row, Guide Pin Signal Module, Pin End Version, 80 Circuits, Pin Length 4.25mm (.167")

Documents:

[Drawing \(PDF\)](#) [RoHS Certificate of Compliance \(PDF\)](#)

General

Product Family	Backplane Connectors
Series	74061
Application	Backplane
Application Tooling Documents	http://www.molex.com/pdm_docs/ats/TM-622010999.pdf >Tooling Manual
Comments	Keying Position A
Component Type	PCB Header
Overview	vhdm
Product Name	VHDM®
Style	N/A

Physical

Circuits (Loaded)	80
Circuits (maximum)	80
Color - Resin	Black
Durability (mating cycles max)	200
First Mate / Last Break	No
Guide to Mating Part	Yes
Keying to Mating Part	Yes
Material - Metal	Beryllium Copper, High Performance Alloy (HPA), Stainless Steel
Material - Plating Mating	Gold
Material - Plating Termination	Tin-Lead
Material - Resin	High Temperature Thermoplastic
Number of Columns	N/A
Number of Pairs	Open Pin Field
Number of Rows	8
Orientation	Vertical
PC Tail Length (in)	0.098 In
PC Tail Length (mm)	2.50 mm
PCB Locator	No
PCB Retention	None
PCB Thickness Recommended (in)	0.070 In
PCB Thickness Recommended (mm)	1.80 mm
Packaging Type	Tube
Pitch - Mating Interface (in)	0.079 In
Pitch - Mating Interface (mm)	2.00 mm
Pitch - Term. Interface (in)	0.079 In
Pitch - Term. Interface (mm)	2.00 mm
Plating min: Mating (µin)	30
Plating min: Mating (µm)	0.75
Plating min: Termination (µin)	30
Plating min: Termination (µm)	0.75
Polarized to PCB	Yes
Stackable	No
Surface Mount Compatible (SMC)	Yes

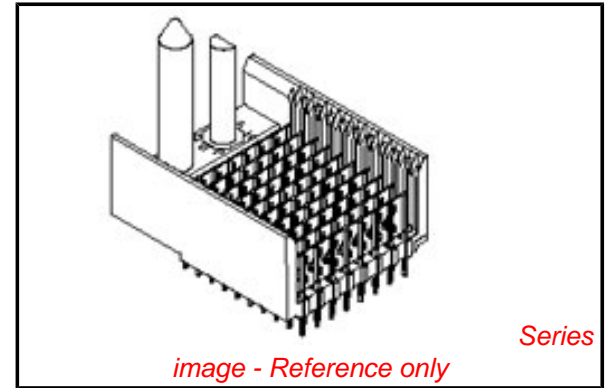


image - Reference only

EU RoHS

RoHS Compliant by Exemption

REACH SVHC

Not Reviewed

Halogen-Free

Status

Not Reviewed

China RoHS



Pb

Need more information on product environmental compliance?

Email productcompliance@molex.com
 For a multiple part number RoHS Certificate of Compliance, [click here](#)

Please visit the [Contact Us](#) section for any non-product compliance questions.

Search Parts in this Series

[74061Series](#)

Mates With

[74040 VHDM® Board-to-Board Daughtercard Receptacle](#)

Application Tooling | FAQ

Tooling specifications and manuals are found by selecting the products below. Crimp Height Specifications are then contained in the Application Tooling Specification document.

Global

Description	Product #
VHDM® Signal Pin Inserter Repair Tool	0622015700
VHDM® 8 Row Pin and Shield Repair Tool	0622015900
VHDM® 8 Row Shield Extraction Tool	0622016100

Temperature Range - Operating
Termination Interface: Style

105°C max
Through Hole - Compliant Pin

Electrical

Current - Maximum per Contact
Data Rate
Real Signals (per 25mm)
Shield Type
Shielded
Voltage - Maximum

1A
3.125 Gbps
100
Ground Plane Shield
Yes
120V AC (RMS)/DC

Material Info

Reference - Drawing Numbers

Sales Drawing

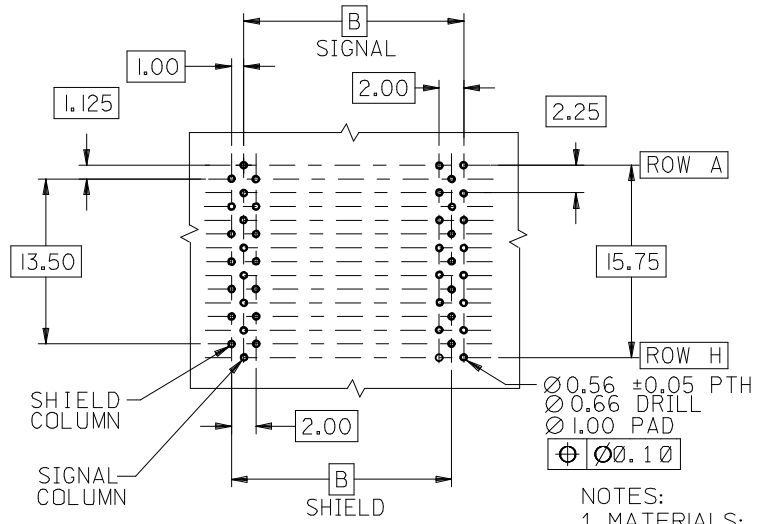
SD-74061-002

VHDM and Very High Density Metric are trademarks of Amphenol Corporation

VHDM® Insertion 0622020205
Module for Advanced
Mate Signal Header,
8 Row by 10 Wide,
20.00mm (.787")
VHDM® Insertion 0622020209
Module for Standard
Shield Signal
Header, 8 Row by
10 Wide, 20.00mm
(.787")
Flat Rock Tooling for 0622013700
Pneumatic Press

This document was generated on 06/01/2010

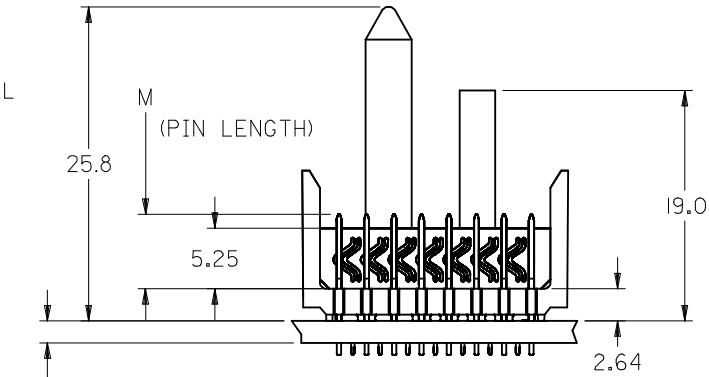
PLEASE CHECK WWW.MOLEX.COM FOR LATEST PART INFORMATION



BACKPLANE HOLE PATTERN
RECOMMENDED DIMENSION

- NOTES:
- MATERIALS:
HOUSING - LIQUID CRYSTAL POLYMER (LCP),
GLASS-FILLED, UL 94V-0, COLOR: BLACK
SIGNAL PIN & SHIELD - COPPER ALLOY
 - FINISHES:
CONTACT AREA: SELECTIVE GOLD (Au)
PCB TAILS: SELECTIVE TIN/LEAD (Sn/Pb)
OR SELECTIVE MATTE TIN (Sn)
NICKEL (Ni) OVERALL.
 - THIS PART CONFORMS TO MOLEX PRODUCT SPECIFICATION PS-74031-999
 - FOR MIXED CONTACT LENGTHS CONSULT MOLEX FOR AVAILABILITY
 - FOR SPECIFIC MATERIAL NUMBERS & MATING INFORMATION REFER TO SHEET 2
 - PACKAGE PER PK-74061-003
 - EITHER MARK PART WITH PART NUMBER & DATE CODE APPROXIMATELY WHERE SHOWN OR PLACE LABEL ON THE TUBE.

0.26 MAX OVERALL PROTRUSION



1.8 MIN PCB

CORRECTED DIMS EC NO: UCP2008-0329 DRAWN: J JONIAK 2007/08/28 CHKD: J JONIAK 2007/08/28 APPR: C BIXLER 2007/08/28	DESCRIPTION REV	QUALITY SYMBOLS	GENERAL TOLERANCES (UNLESS SPECIFIED)	DIMENSION STYLE	SCALE	DESIGN UNITS	THIRD ANGLE PROJECTION
		$\nabla=0$ $\nabla=7$	mm INCH 4 PLACES ± --- ± --- 3 PLACES ± --- ± --- 2 PLACES ± --- ± --- 1 PLACE ± --- ± --- ANGULAR ±1/2°	MM ONLY	2.5:1	METRIC	DRAWN BY DATE MWANG 1998/11/09 CHECKED BY DATE JLAURX 1998/11/09 APPROVED BY DATE C BIXLER 1998/11/09
		DRAFT WHERE APPLICABLE MUST REMAIN WITHIN DIMENSIONS	MATERIAL NO. SEE SHEET 2 SIZE B	TITLE VHDM 8 ROW SIGNAL END BACKPLANE SALES ASSEMBLY MOLEX INCORPORATED	DOCUMENT NO. SD-74061-002	SHEET NO. 1 OF 3	
		THIS DRAWING CONTAINS INFORMATION THAT IS PROPRIETARY TO MOLEX INCORPORATED AND SHOULD NOT BE USED WITHOUT WRITTEN PERMISSION					

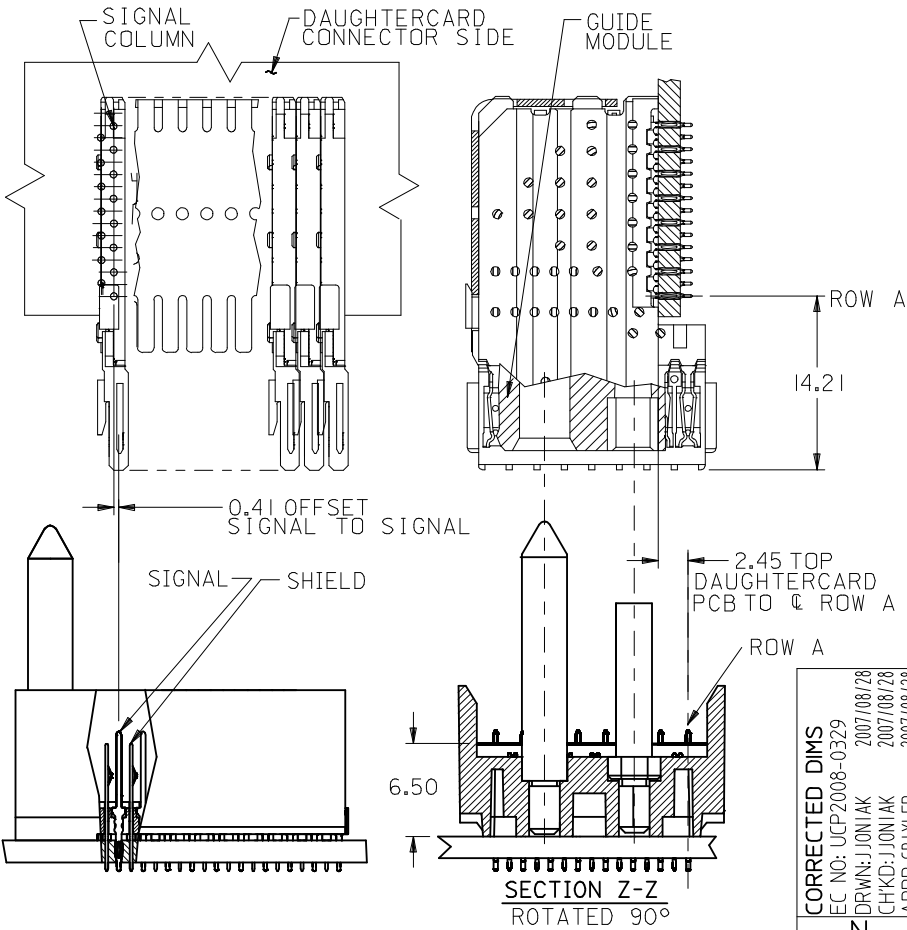
M/N 74061-()	-**0*	-**1*	-**2*	-**3*	-**4*	-**5*	-**6*	-**7*	-**8*
KEYING PIN ORIENTATION	O	A	B	C	D	E	F	G	H

74061 - * * * *

NUMBER OF COLUMNS/PLATING
 10 = 10 COLUMN TIN/LEAD
 12 = 12 COLUMN TIN/LEAD*
 25 = 25 COLUMN TIN/LEAD
 90 = 10 COLUMN MATTE TIN
 92 = 12 COLUMN MATTE TIN*
 85 = 25 COLUMN MATTE TIN

CONTACT LOAD
 (PIN LENGTH)
 1 & 6 = 4.75
 2 & 7 = 6.25
 3 & 8 = 4.25
 4 & 9 = 5.15

*12 COLUMN P/N'S ON SHEET 3



PART NUMBER	COLUMN	NUMBER OF SIGNAL PIN	NUMBER OF SHIELD	A	B	M	Au (um) THICKNESS	Sn (um) THICKNESS
74061-*0*1	10	80	10	27.00	18.00	4.75	0.76	0.76-1.52
74061-*0*6							1.27	
74061-*5*1	25	200	25	57.00	48.00	6.25	0.76	
74061-*5*6							1.27	
74061-*0*2	10	80	10	27.00	18.00	6.25	0.76	
74061-*0*7							1.27	
74061-*5*2	25	200	25	57.00	48.00	4.25	0.76	
74061-*5*7							1.27	
74061-*0*3	10	80	10	27.00	18.00	4.25	0.76	
74061-*0*8							1.27	
74061-*5*3	25	200	25	57.00	48.00	5.15	0.76	
74061-*5*8							1.27	
74061-*0*4	10	80	10	27.00	18.00	5.15	0.76	
74061-*0*9							1.27	
74061-*5*4	25	200	25	57.00	48.00	4.75	0.76	
74061-*5*9							1.27	

CORRECTED DIMS EC NO: UCP2008-0329 DRAWN: J JONIAK 2007/08/28 CHKD: J JONIAK 2007/08/28 APPR: CBIXLER 2007/08/28 N	QUALITY SYMBOLS ▽=0 ▽=0	GENERAL TOLERANCES (UNLESS SPECIFIED) mm INCH 4 PLACES ± --- ± --- 3 PLACES ± --- ± --- 2 PLACES ± --- ± --- 1 PLACE ± --- ± --- ANGULAR ±1/2°	DIMENSION STYLE MM ONLY DRAWN BY DATE MWANG 1998/11/09 CHECKED BY DATE JLAURX 1998/11/09 APPROVED BY DATE CBIXLER 1998/11/09	SCALE 2.5:1 TITLE VHM 8 ROW SIGNAL END BACKPLANE SALES ASSEMBLY	DESIGN UNITS METRIC THIRD ANGLE PROJECTION	
	DRAFT WHERE APPLICABLE MUST REMAIN WITHIN DIMENSIONS			MATERIAL NO. SEE CHART	DOCUMENT NO. SD-74061-002	SHEET NO. 2 OF 3
	MOLEX INCORPORATED					
	THIS DRAWING CONTAINS INFORMATION THAT IS PROPRIETARY TO MOLEX INCORPORATED AND SHOULD NOT BE USED WITHOUT WRITTEN PERMISSION					



Стандарт Электрон Связь

Мы молодая и активно развивающаяся компания в области поставок электронных компонентов. Мы поставляем электронные компоненты отечественного и импортного производства напрямую от производителей и с крупнейших складов мира.

Благодаря сотрудничеству с мировыми поставщиками мы осуществляем комплексные и плановые поставки широчайшего спектра электронных компонентов.

Собственная эффективная логистика и склад в обеспечивает надежную поставку продукции в точно указанные сроки по всей России.

Мы осуществляем техническую поддержку нашим клиентам и предпродажную проверку качества продукции. На все поставляемые продукты мы предоставляем гарантию .

Осуществляем поставки продукции под контролем ВП МО РФ на предприятия военно-промышленного комплекса России , а также работаем в рамках 275 ФЗ с открытием отдельных счетов в уполномоченном банке. Система менеджмента качества компании соответствует требованиям ГОСТ ISO 9001.

Минимальные сроки поставки, гибкие цены, неограниченный ассортимент и индивидуальный подход к клиентам являются основой для выстраивания долгосрочного и эффективного сотрудничества с предприятиями радиоэлектронной промышленности, предприятиями ВПК и научно-исследовательскими институтами России.

С нами вы становитесь еще успешнее!

Наши контакты:

Телефон: +7 812 627 14 35

Электронная почта: sales@st-electron.ru

Адрес: 198099, Санкт-Петербург,
Промышленная ул, дом № 19, литера Н,
помещение 100-Н Офис 331