

Analog Microphone with Low Power Mode

GENERAL DESCRIPTION

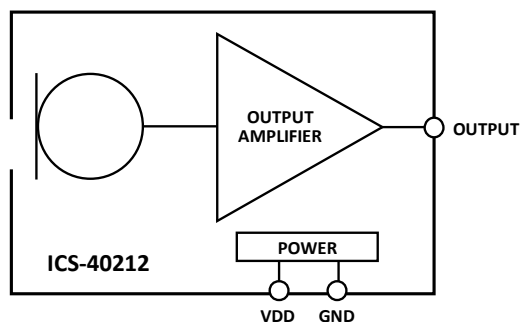
The ICS-40212 is an analog MEMS microphone with very high dynamic range and a low-power AlwaysOn mode. The ICS-40212 includes a MEMS microphone element, an impedance converter, and an output amplifier.

This microphone features a low-power mode, which is active when the supply voltage is <math><2.0\text{V}</math>. In this mode, the ICS-40212 operates with $55\ \mu\text{A}</math>.$

Other high-performance specifications include 128 dB SPL acoustic overload point in high performance mode, tight $\pm 1\ \text{dB}$ sensitivity tolerance.

The ICS-40212 is available in a small $3.50\ \text{mm} \times 2.65\ \text{mm} \times 0.98\ \text{mm}$ bottom port surface-mount package.

FUNCTIONAL BLOCK DIAGRAM



APPLICATIONS

- Smartphones
- “AlwaysOn” listening
- Wearable devices
- Still and video cameras
- IoT devices

FEATURES

| SPEC | HIGH PERFORMANCE MODE | LOW-POWER MODE |
|---------|-----------------------|------------------|
| SNR | 66 dBA | 66 dBA |
| Current | 165 μA | 55 μA |
| AOP | 128 dB SPL | 123 dB SPL |

- Analog output
- $-38\ \text{dBV}$ sensitivity
- $\pm 1\ \text{dB}$ sensitivity tolerance
- Extended frequency response from 35 Hz to 20 kHz
- $-84\ \text{dB}$ PSRR
- $3.50 \times 2.65 \times 0.98\ \text{mm}$ surface-mount package
- Compatible with Sn/Pb and Pb-free solder processes
- RoHS/WEEE compliant

ORDERING INFORMATION

| PART | TEMP RANGE | PACKAGING |
|-----------------|--|-------------------|
| ICS-40212 | -40°C to $+85^\circ\text{C}$ | 13” Tape and Reel |
| EV_IC3-40212-FX | — | |

TABLE OF CONTENTS

| | | |
|----|--|----|
| | General Description | 1 |
| | Functional Block Diagram | 1 |
| | Applications | 1 |
| | Features | 1 |
| | Ordering Information..... | 1 |
| 1 | Specifications | 3 |
| | 1.1 Table 1. Electrical Characteristics..... | 3 |
| 2 | Absolute Maximum Ratings | 5 |
| | 2.1 Table 2. Absolute Maximum Ratings..... | 5 |
| | 2.2 ESD Caution | 5 |
| | 2.3 Soldering Profile | 6 |
| | 2.4 Table 3. Recommended Soldering Profile | 6 |
| 3 | Pin Configurations And Function Descriptions | 7 |
| | 3.1 Table 4. Pin Function Descriptions | 7 |
| 4 | Typical Performance Characteristics..... | 8 |
| 5 | Theory Of Operation | 9 |
| | 5.1 Low-Power Mode | 9 |
| 6 | Applications Information | 10 |
| | 6.1 Codec Connection | 10 |
| 7 | Supporting Documents | 11 |
| | 7.1 Evaluation Board User Guide | 11 |
| | 7.2 Application Notes..... | 11 |
| 8 | PCB Design And Land Pattern Layout | 12 |
| | 8.1 PCB Material And Thickness..... | 12 |
| 9 | Handling Instructions..... | 13 |
| | 9.1 Pick And Place Equipment..... | 13 |
| | 9.2 Reflow Solder | 13 |
| | 9.3 Board Wash..... | 13 |
| 10 | Outline Dimensions..... | 14 |
| | 10.1 Ordering Guide..... | 14 |
| | 10.2 Revision History..... | 15 |
| 11 | Compliance Declaration Disclaimer | 16 |

1 SPECIFICATIONS

1.1 TABLE 1. ELECTRICAL CHARACTERISTICS

T_A = 25°C, V_{DD} = 1.52 to 3.63 V, unless otherwise noted. Typical specifications are not guaranteed.

| PARAMETER | CONDITIONS | MIN | TYP | MAX | UNITS | NOTES |
|-------------------------------------|---|----------|------|------|--------|-------|
| PERFORMANCE | | | | | | |
| Directionality | | Omni | | | | |
| Output Polarity | | Inverted | | | | |
| Sensitivity | 1 kHz, 94 dB SPL | -39 | -38 | -37 | dBV | |
| HIGH PERFORMANCE MODE | | | | | | |
| Signal-to-Noise Ratio (SNR) | 20 kHz bandwidth, A-weighted | | 66 | | dB | |
| Equivalent Input Noise (EIN) | 20 kHz bandwidth, A-weighted | | 28 | | dB | |
| Dynamic Range | Derived from EIN and acoustic overload point | | 100 | | dB | |
| Total Harmonic Distortion (THD) | 105 dB SPL | | 0.2 | 1 | % | |
| Power Supply Rejection Ratio (PSRR) | 1 kHz, 100 mV p-p sine wave superimposed on V _{DD} = 2.75V | | -84 | | dB | |
| Power Supply Rejection (PSR) | 217 Hz, 100 mVp-p square wave superimposed on V _{DD} = 2.75V | | -102 | | dBV | |
| Acoustic Overload Point | 10% THD | | 128 | | dB SPL | |
| LOW-POWER MODE | | | | | | |
| Signal-to-Noise Ratio (SNR) | 20 kHz bandwidth, A-weighted | | 66 | | dB | |
| Equivalent Input Noise (EIN) | 20 kHz bandwidth, A-weighted | | 28 | | dB | |
| Dynamic Range | Derived from EIN and acoustic overload point | | 95 | | dB | |
| Total Harmonic Distortion (THD) | 105 dB SPL | | 0.2 | 1 | % | |
| Power Supply Rejection Ratio (PSRR) | 1 kHz, 100 mV p-p sine wave superimposed on V _{DD} = 1.8V | | -75 | | dB | |
| Power Supply Rejection (PSR) | 217 Hz, 100 mVp-p square wave superimposed on V _{DD} = 1.8V | | -96 | | dBV | |
| Acoustic Overload Point | 10% THD, V _{DD} = 1.8 V | | 123 | | dB SPL | |
| POWER SUPPLY | | | | | | |
| Supply Voltage (V _{DD}) | Low-power mode | 1.52 | | 2.0 | V | |
| | High performance mode | 2.2 | | 3.63 | V | |
| Supply Current (I _S) | V _{DD} = 1.8V | | 55 | 65 | μA | |
| | V _{DD} = 2.75V | | 165 | 190 | μA | |

| PARAMETER | CONDITIONS | MIN | TYP | MAX | UNITS | NOTES |
|-------------------------------|---|-----|-------|-----|------------|-------|
| OUTPUT CHARACTERISTICS | | | | | | |
| Output Impedance | High-performance mode | | 190 | | Ω | |
| | Low-power mode | | 2.90 | | k Ω | |
| Output Common Mode Voltage | High-performance mode | | 1.0 | | V | |
| | Low-power mode | | 0.8 | | V | |
| Startup Time | Output to within ± 0.5 dB of stable sensitivity | | 15 | 20 | ms | |
| Mode Switching Time | High performance mode to low-power mode | | | 1 | ms | |
| | Low-power mode to high performance mode | | | 1 | ms | |
| Maximum Output Voltage | 128 dB SPL input | | 0.631 | | V rms | |
| Noise Floor | 20 Hz to 20 kHz, A-weighted, rms, high performance mode | | -104 | | dBV | |

2 ABSOLUTE MAXIMUM RATINGS

Stress above those listed as Absolute Maximum Ratings may cause permanent damage to the device. These are stress ratings only and functional operation of the device at these conditions is not implied. Exposure to the absolute maximum ratings conditions for extended periods may affect device reliability.

2.1 TABLE 2. ABSOLUTE MAXIMUM RATINGS

| PARAMETER | RATING |
|-----------------------------------|---|
| Supply Voltage (V _{DD}) | -0.3V to +3.63V |
| Sound Pressure Level | 160 dB |
| Mechanical Shock | 10,000g |
| Vibration | Per MIL-STD-883 Method 2007, Test Condition B |
| Temperature Range | |
| Biased | -40°C to +85°C |
| Storage | -55°C to +150°C |

2.2 ESD CAUTION



ESD (electrostatic discharge) sensitive device. Charged devices and circuit boards can discharge without detection. Although this product features patented or proprietary protection circuitry, damage may occur on devices subjected to high energy ESD. Therefore proper ESD precautions should be taken to avoid performance degradation or loss of functionality.

2.3 SOLDERING PROFILE

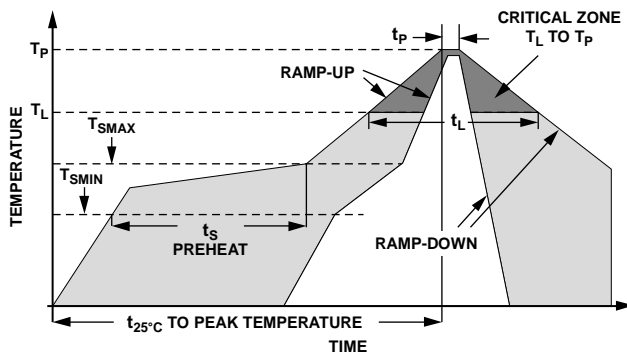


Figure 1. Recommended Soldering Profile Limits

2.4 TABLE 3. RECOMMENDED SOLDERING PROFILE

| PROFILE FEATURE | | SN63/PB37 | PB-FREE |
|---|--|------------------|------------------|
| Average Ramp Rate (T_L to T_P) | | 1.25°C/sec max | 1.25°C/sec max |
| Preheat | Minimum Temperature (T_{SMIN}) | 100°C | 100°C |
| | Minimum Temperature (T_{SMIN}) | 150°C | 200°C |
| | Time (T_{SMIN} to T_{SMAX}), t_S | 60 sec to 75 sec | 60 sec to 75 sec |
| Ramp-Up Rate (T_{SMAX} to T_L) | | 1.25°C/sec | 1.25°C/sec |
| Time Maintained Above Liquidous (t_L) | | 45 sec to 75 sec | ~50 sec |
| Liquidous Temperature (T_L) | | 183°C | 217°C |
| Peak Temperature (T_P) | | 215°C +3°C/-3°C | 260°C +0°C/-5°C |
| Time Within +5°C of Actual Peak Temperature (t_P) | | 20 sec to 30 sec | 20 sec to 30 sec |
| Ramp-Down Rate | | 3°C/sec max | 3°C/sec max |
| Time +25°C ($t_{25^\circ\text{C}}$) to Peak Temperature | | 5 min max | 5 min max |

Note: The reflow profile in Table 3 is recommended for board manufacturing with InvenSense MEMS microphones. All microphones are also compatible with the J-STD-020 profile.

3 PIN CONFIGURATIONS AND FUNCTION DESCRIPTIONS

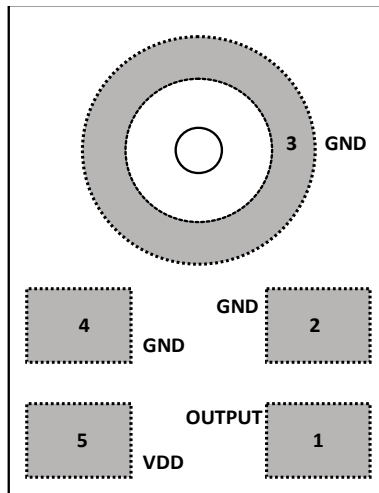


Figure 2. Pin Configuration (Top View, Terminal Side Down)

3.1 TABLE 4. PIN FUNCTION DESCRIPTIONS

| PIN | NAME | FUNCTION |
|-----|--------|----------------------|
| 1 | OUTPUT | Analog Output Signal |
| 2 | GND | Ground |
| 3 | GND | Ground |
| 4 | GND | Ground |
| 5 | VDD | Power Supply |

4 TYPICAL PERFORMANCE CHARACTERISTICS

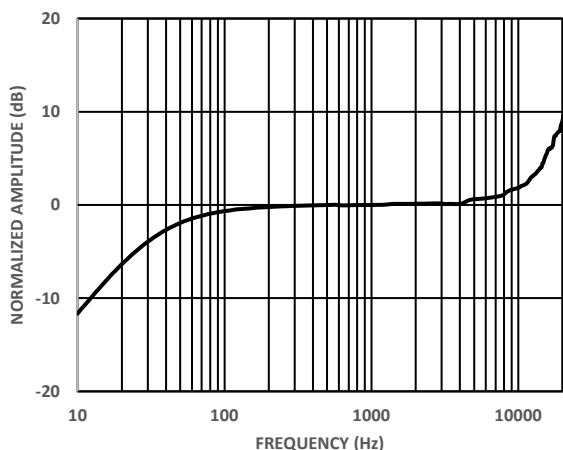


Figure 3. Typical Frequency Response (Measured)

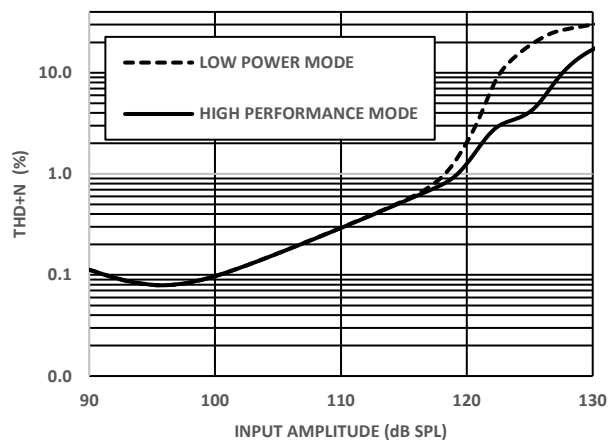


Figure 4. THD + N vs. Input Amplitude

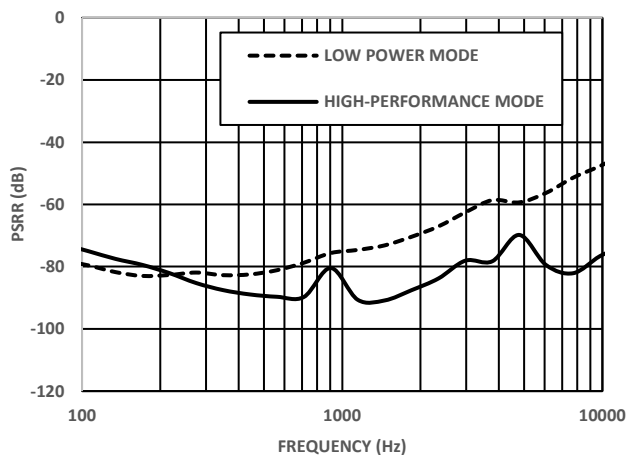


Figure 5. Power-Supply Rejection Ratio (PSRR) vs. Frequency

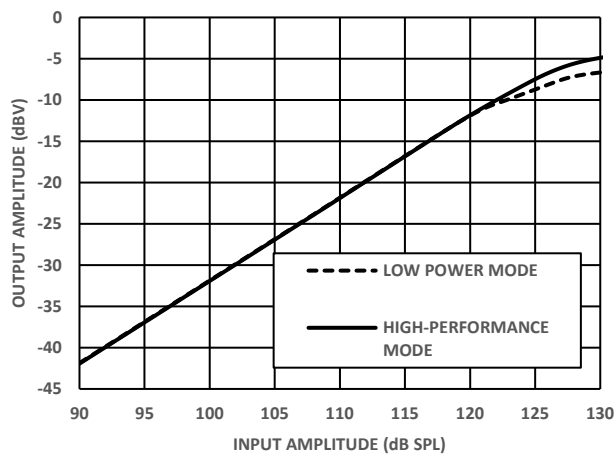


Figure 6. Linearity

5 THEORY OF OPERATION

5.1 LOW-POWER MODE

The ICS-40212 will enter a low-power mode when the supply voltage V_{DD} falls below 2.0 V. In this mode, the microphone will operate with 55 μ A supply current. While the microphone is switched between the two modes, the output signals should be muted for a short time.

6 APPLICATIONS INFORMATION

6.1 CODEC CONNECTION

The ICS-40212 output can be connected to a dedicated codec microphone input (see Figure 7) or to a high input impedance gain stage. A 0.1 μF ceramic capacitor placed close to the ICS-40212 supply pin is used for testing and is recommended to adequately decouple the microphone from noise on the power supply. A dc blocking capacitor is required at the output of the microphone. This capacitor creates a high-pass filter with a corner frequency at

$$f_c = 1/(2\pi \times C \times R)$$

where R is the input impedance of the codec.

A minimum value of 2.2 μF is recommended in Figure 7 for codecs, which may have a very low input impedance at some PGA gain settings.

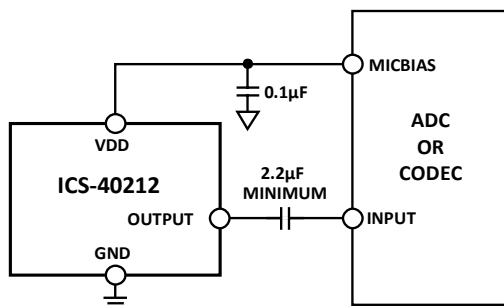


Figure 7. ICS-40212 Connected to a Codec

7 SUPPORTING DOCUMENTS

For additional information, see the following documents.

7.1 EVALUATION BOARD USER GUIDE

AN-000013, *Analog Output MEMS Microphone Flex Evaluation Board*

7.2 APPLICATION NOTES

AN-100, *MEMS Microphone Handling and Assembly Guide*

AN-1003, *Recommendations for Mounting and Connecting the InvenSense Bottom-Ported MEMS Microphones*

AN-1112, *Microphone Specifications Explained*

AN-1124, *Recommendations for Sealing InvenSense Bottom-Port MEMS Microphones from Dust and Liquid Ingress*

AN-1140, *Microphone Array Beamforming*

AN-1165, *Op Amps for Microphone Preamp Circuits*

AN-1181, *Using a MEMS Microphone in a 2-Wire Microphone Circuit*

AN-000056, *MEMS Microphones for Active Noise Cancellation Applications*

8 PCB DESIGN AND LAND PATTERN LAYOUT

Lay out the PCB land pattern for the ICS-40212 at a 1:1 ratio to the solder pads on the microphone package (see Figure 8.) Avoid applying solder paste to the sound hole in the PCB. Figure 9 shows a suggested solder paste stencil pattern layout.

The response of the ICS-40212 is not affected by the PCB hole size, as long as the hole is not smaller than the sound port of the microphone (0.325 mm in diameter). A 0.5 mm to 1 mm diameter for the hole is recommended.

Align the hole in the microphone package with the hole in the PCB. The exact degree of the alignment does not affect the performance of the microphone as long as the holes are not partially or completely blocked.

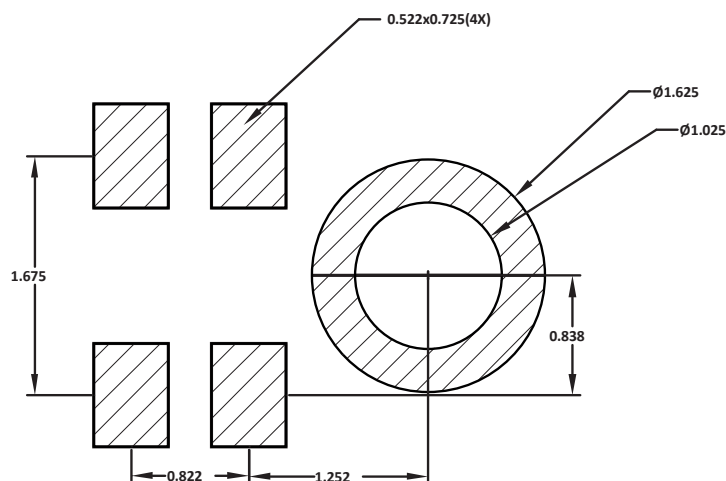


Figure 8. Recommended PCB Land Pattern Layout

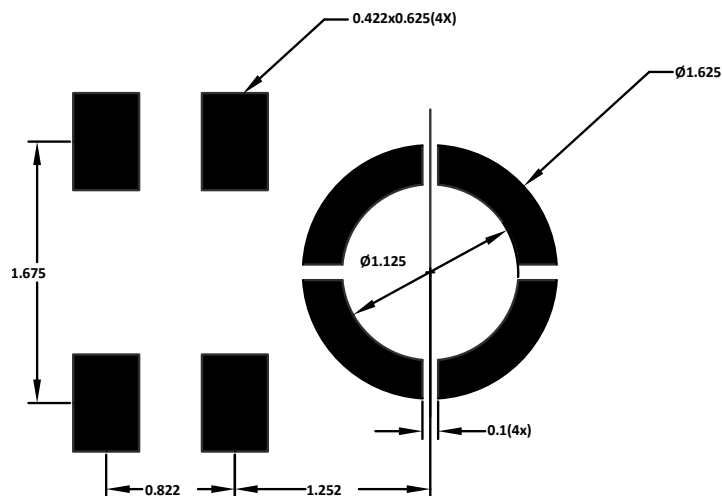


Figure 9. Recommended Solder Paste Stencil Pattern Layout

8.1 PCB MATERIAL AND THICKNESS

The performance of the ICS-40212 is not affected by PCB thickness. The ICS-40212 can be mounted on either a rigid or flexible PCB. A flexible PCB with the microphone can be attached directly to the device housing with an adhesive layer. This mounting method offers a reliable seal around the sound port while providing the shortest acoustic path for good sound quality.

9 HANDLING INSTRUCTIONS

9.1 PICK AND PLACE EQUIPMENT

The MEMS microphone can be handled using standard pick-and-place and chip shooting equipment. Take care to avoid damage to the MEMS microphone structure as follows:

- Use a standard pickup tool to handle the microphone. Because the microphone hole is on the bottom of the package, the pickup tool can make contact with any part of the lid surface.
- Do not pick up the microphone with a vacuum tool that makes contact with the bottom side of the microphone. Do not pull air out of or blow air into the microphone port.
- Do not use excessive force to place the microphone on the PCB.

9.2 REFLOW SOLDER

For best results, the soldering profile must be in accordance with the recommendations of the manufacturer of the solder paste used to attach the MEMS microphone to the PCB. It is recommended that the solder reflow profile not exceed the limit conditions specified in Figure 1 and Table 3.

9.3 BOARD WASH

When washing the PCB, ensure that water does not make contact with the microphone port. Do not use blow-off procedures or ultrasonic cleaning.

10 OUTLINE DIMENSIONS

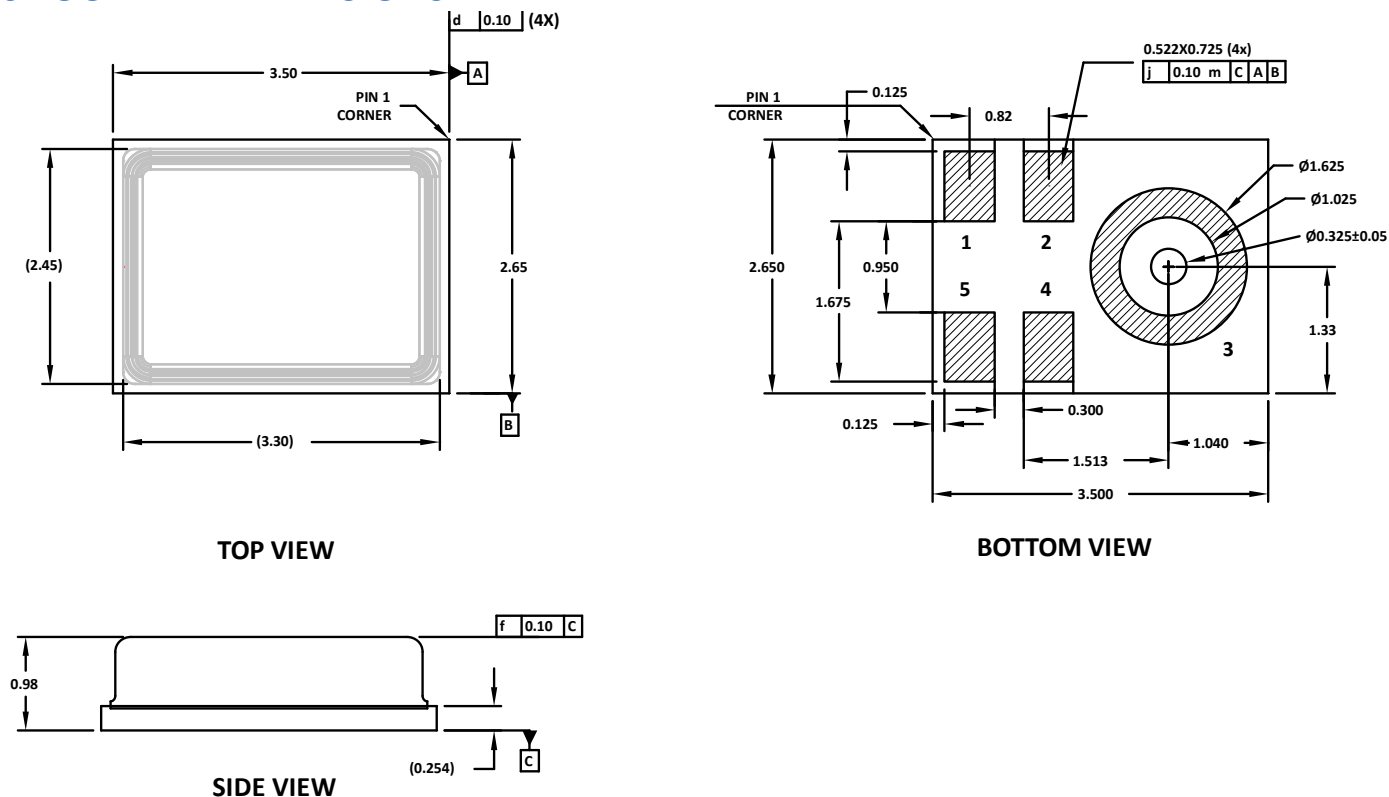


Figure 10. 5-Terminal Chip Array Small Outline No Lead Cavity
3.50 mm × 2.65 mm × 0.98 mm Body
Dimensions shown in millimeters

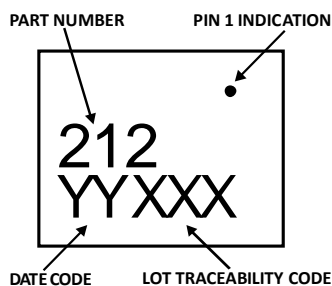


Figure 11. Package Marking Specification (Top View, not to scale)

10.1 ORDERING GUIDE

| PART | TEMP RANGE | PACKAGE | QUANTITY | PACKAGING |
|-----------------|----------------|---------------------------|----------|-------------------|
| ICS-40212 | -40°C to +85°C | 5-Terminal LGA_CAV | 10,000 | 13" Tape and Reel |
| EV_IC3-40212-FX | — | Flexible Evaluation Board | — | |

10.2 REVISION HISTORY

| REVISION DATE | REVISION | DESCRIPTION |
|---------------|----------|------------------------|
| 2/16/2017 | 1.0 | Initial Version |
| 7/05/2017 | 1.1 | Updated Setion 2 and 4 |

11 COMPLIANCE DECLARATION DISCLAIMER

InvenSense believes the environmental and other compliance information given in this document to be correct but cannot guarantee accuracy or completeness. Conformity documents substantiating the specifications and component characteristics are on file. InvenSense subcontracts manufacturing, and the information contained herein is based on data received from vendors and suppliers, which has not been validated by InvenSense.

This information furnished by InvenSense, Inc. ("InvenSense") is believed to be accurate and reliable. However, no responsibility is assumed by InvenSense for its use, or for any infringements of patents or other rights of third parties that may result from its use. Specifications are subject to change without notice. InvenSense reserves the right to make changes to this product, including its circuits and software, in order to improve its design and/or performance, without prior notice. InvenSense makes no warranties, neither expressed nor implied, regarding the information and specifications contained in this document. InvenSense assumes no responsibility for any claims or damages arising from information contained in this document, or from the use of products and services detailed therein. This includes, but is not limited to, claims or damages based on the infringement of patents, copyrights, mask work and/or other intellectual property rights.

Certain intellectual property owned by InvenSense and described in this document is patent protected. No license is granted by implication or otherwise under any patent or patent rights of InvenSense. This publication supersedes and replaces all information previously supplied. Trademarks that are registered trademarks are the property of their respective companies. InvenSense sensors should not be used or sold in the development, storage, production or utilization of any conventional or mass-destructive weapons or for any other weapons or life threatening applications, as well as in any other life critical applications such as medical equipment, transportation, aerospace and nuclear instruments, undersea equipment, power plant equipment, disaster prevention and crime prevention equipment.

©2017 InvenSense. All rights reserved. InvenSense, MotionTracking, MotionProcessing, MotionProcessor, MotionFusion, MotionApps, DMP, AAR, and the InvenSense logo are trademarks of InvenSense, Inc.



©2017 InvenSense. All rights reserved.



**Стандарт
Электрон
Связь**

Мы молодая и активно развивающаяся компания в области поставок электронных компонентов. Мы поставляем электронные компоненты отечественного и импортного производства напрямую от производителей и с крупнейших складов мира.

Благодаря сотрудничеству с мировыми поставщиками мы осуществляем комплексные и плановые поставки широчайшего спектра электронных компонентов.

Собственная эффективная логистика и склад в обеспечивает надежную поставку продукции в точно указанные сроки по всей России.

Мы осуществляем техническую поддержку нашим клиентам и предпродажную проверку качества продукции. На все поставляемые продукты мы предоставляем гарантию .

Осуществляем поставки продукции под контролем ВП МО РФ на предприятия военно-промышленного комплекса России , а также работаем в рамках 275 ФЗ с открытием отдельных счетов в уполномоченном банке. Система менеджмента качества компании соответствует требованиям ГОСТ ISO 9001.

Минимальные сроки поставки, гибкие цены, неограниченный ассортимент и индивидуальный подход к клиентам являются основой для выстраивания долгосрочного и эффективного сотрудничества с предприятиями радиоэлектронной промышленности, предприятиями ВПК и научно-исследовательскими институтами России.

С нами вы становитесь еще успешнее!

Наши контакты:

Телефон: +7 812 627 14 35

Электронная почта: sales@st-electron.ru

Адрес: 198099, Санкт-Петербург,
Промышленная ул, дом № 19, литера Н,
помещение 100-Н Офис 331