

## OP179/OP279

### FEATURES

**Rail-to-Rail Inputs and Outputs**  
**High Output Current:  $\pm 60$  mA**  
**Single Supply: 5 V to 12 V**  
**Wide Bandwidth: 5 MHz**  
**High Slew Rate: 3 V/ $\mu$ s**  
**Low Distortion: 0.01%**  
**Unity-Gain Stable**  
**No Phase Reversal**  
**Short-Circuit Protected**  
**Drives Capacitive Loads: 10 nF**

### APPLICATIONS

**Multimedia**  
**Telecom**  
**DAA Transformer Driver**  
**LCD Driver**  
**Low Voltage Servo Control**  
**Modems**  
**FET Drivers**

### GENERAL DESCRIPTION

The OP179 and OP279 are rail-to-rail, high output current, single-supply amplifiers. They are designed for low voltage applications that require either current or capacitive load drive capability. The OP179/OP279 can sink and source currents of  $\pm 60$  mA (typical) and are stable with capacitive loads to 10 nF.

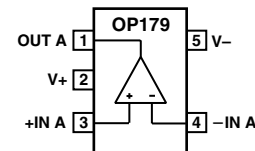
Applications that benefit from the high output current of the OP179/OP279 include driving headphones, displays, transformers and power transistors. The powerful output is combined with a unique input stage that maintains very low distortion with wide common-mode range, even in single supply designs.

The OP179/OP279 can be used as a buffer to provide much greater drive capability than can usually be provided by CMOS outputs. CMOS ASICs and DAC often have outputs that can swing to both the positive supply and ground, but cannot drive more than a few milliamps.

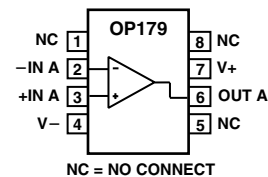
Bandwidth is typically 5 MHz and the slew rate is 3 V/ $\mu$ s, making these amplifiers well suited for single supply applications that require audio bandwidths when used in high gain configurations. Operation is guaranteed from voltages as low as 4.5 V, up to 12 V.

### PIN CONFIGURATIONS

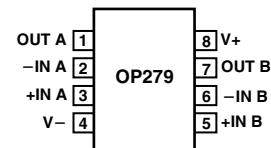
#### 5-Lead SOT-23-5 (RT-5)



#### 8-Lead SOIC (S Suffix)



#### 8-Lead SOIC and TSSOP SO-8 (S) and RU-8



Very good audio performance can be attained when using the OP179/OP279 in 5 volt systems. THD is below 0.01% with a 600  $\Omega$  load, and noise is a respectable 21 nV/ $\sqrt{\text{Hz}}$ . Supply current is less than 3.5 mA per amplifier.

The single OP179 is available in the 5-lead SOT-23-5 package. It is specified over the industrial ( $-40^{\circ}\text{C}$  to  $+85^{\circ}\text{C}$ ) temperature range.

The OP279 is available in 8-lead TSSOP and SO-8 surface mount packages. They are specified over the industrial ( $-40^{\circ}\text{C}$  to  $+85^{\circ}\text{C}$ ) temperature range.

### REV. G

Information furnished by Analog Devices is believed to be accurate and reliable. However, no responsibility is assumed by Analog Devices for its use, nor for any infringements of patents or other rights of third parties that may result from its use. No license is granted by implication or otherwise under any patent or patent rights of Analog Devices.

# OP179/OP279—SPECIFICATIONS

## ELECTRICAL SPECIFICATIONS (@ $V_S = 5.0\text{ V}$ , $V_{CM} = 2.5\text{ V}$ , $-40^\circ\text{C} \leq T_A \leq +85^\circ\text{C}$ unless otherwise noted.)

| Parameter                     | Symbol                   | Conditions   | Min      | Typ  | Max       | Unit                         |
|-------------------------------|--------------------------|--|----------|------|-----------|------------------------------|
| <b>INPUT CHARACTERISTICS</b>  |                          |  |          |      |           |                              |
| Offset Voltage                |                          |  |          |      |           |                              |
| OP179                         | $V_{OS}$                 | $V_{OUT} = 2.5\text{ V}$   |          |      | $\pm 5$   | mV                           |
| OP279                         | $V_{OS}$                 | $V_{OUT} = 2.5\text{ V}$   |          |      | $\pm 4$   | mV                           |
| Input Bias Current            | $I_B$                    | $V_{OUT} = 2.5\text{ V}$ , $T_A = 25^\circ\text{C}$                      |          |      | $\pm 300$ | nA                           |
|                               |                          | $V_{OUT} = 2.5\text{ V}$   |          |      | $\pm 700$ | nA                           |
| Input Offset Current          | $I_{OS}$                 | $V_{OUT} = 2.5\text{ V}$ , $T_A = 25^\circ\text{C}$                      |          |      | $\pm 50$  | nA                           |
|                               |                          | $V_{OUT} = 2.5\text{ V}$   |          |      | $\pm 100$ | nA                           |
| Input Voltage Range           | $V_{CM}$                 |  | 0        |      | 5         | V                            |
| Common-Mode Rejection Ratio   | CMRR                     | $V_{CM} = 0\text{ V to } 5\text{ V}$                                     | 56       | 66   |           | dB                           |
| Large Signal Voltage Gain     | $A_{VO}$                 | $R_L = 1\text{ k}\Omega$ , $0.3\text{ V} \leq V_{OUT} \leq 4.7\text{ V}$ | 20       |      |           | V/mV                         |
| Offset Voltage Drift          | $\Delta V_{OS}/\Delta T$ |  |          | 4    |           | $\mu\text{V}/^\circ\text{C}$ |
| <b>OUTPUT CHARACTERISTICS</b> |                          |  |          |      |           |                              |
| Output Voltage High           | $V_{OH}$                 | $I_L = 10\text{ mA Source}$  | +4.8     |      |           | V                            |
| Output Voltage Low            | $V_{OL}$                 | $I_L = 10\text{ mA Sink}$ , $T_A = 25^\circ\text{C}$                     |          |      | 75        | mV                           |
|                               |                          | $I_L = 10\text{ mA Sink}$  |          |      | 100       | mV                           |
| Short-Circuit Limit           | $I_{SC}$                 | $T_A = 25^\circ\text{C}$   | $\pm 40$ |      |           | mA                           |
| Output Impedance              | $Z_{OUT}$                | $f = 1\text{ MHz}$ , $A_V = 1$   |          | 22   |           | $\Omega$                     |
| <b>POWER SUPPLY</b>           |                          |  |          |      |           |                              |
| Power Supply Rejection Ratio  | PSRR                     | $V_S = 4.5\text{ V to } 12\text{ V}$                                     | 70       | 88   |           | dB                           |
| Supply Current/Amplifier      | $I_{SY}$                 | $V_{OUT} = 2.5\text{ V}$   |          |      | 3.5       | mA                           |
| Supply Voltage Range          | $V_S$                    |  | +4.5     |      | +12       | V                            |
| <b>DYNAMIC PERFORMANCE</b>    |                          |  |          |      |           |                              |
| Slew Rate                     | SR                       | $R_L = 1\text{ k}\Omega$ , $1\text{ nF}$                                 |          | 3    |           | V/ $\mu\text{s}$             |
| Gain Bandwidth Product        | GBP                      |  |          | 5    |           | MHz                          |
| Phase Margin                  | $\phi_m$                 |  |          | 60   |           | Degrees                      |
| Capacitive Load Drive         |                          | No Oscillation   |          | 10   |           | nF                           |
| <b>AUDIO PERFORMANCE</b>      |                          |  |          |      |           |                              |
| Total Harmonic Distortion     | THD                      |  |          | 0.01 |           | %                            |
| Voltage Noise Density         | $e_n$                    | $f = 1\text{ kHz}$   |          | 22   |           | $\text{nV}/\sqrt{\text{Hz}}$ |

## ELECTRICAL SPECIFICATIONS (@ $V_S = \pm 5.0\text{ V}$ , $-40^\circ\text{C} \leq T_A \leq +85^\circ\text{C}$ unless otherwise noted.)

| Parameter                     | Symbol                   | Conditions  | Min      | Typ | Max       | Unit                         |
|-------------------------------|--------------------------|---|----------|-----|-----------|------------------------------|
| <b>INPUT CHARACTERISTICS</b>  |                          |   |          |     |           |                              |
| Offset Voltage                |                          |   |          |     |           |                              |
| OP179                         | $V_{OS}$                 | $V_{OUT} = 0$   |          |     | $\pm 5$   | mV                           |
| OP279                         | $V_{OS}$                 | $V_{OUT} = 0$   |          |     | $\pm 4$   | mV                           |
| Input Bias Current            | $I_B$                    | $T_A = 25^\circ\text{C}$  |          |     | $\pm 300$ | nA                           |
|                               |                          |   |          |     | $\pm 700$ | nA                           |
| Input Offset Current          | $I_{OS}$                 | $T_A = 25^\circ\text{C}$  |          |     | $\pm 50$  | nA                           |
|                               |                          |   |          |     | $\pm 100$ | nA                           |
| Input Voltage Range           | $V_{CM}$                 |   | -5       |     | +5        | V                            |
| Common-Mode Rejection Ratio   | CMRR                     | $V_{CM} = -5\text{ V to } +5\text{ V}$                                    | 56       | 66  |           | dB                           |
| Large Signal Voltage Gain     | $A_{VO}$                 | $R_L = 1\text{ k}\Omega$ , $-4.7\text{ V} \leq V_{OUT} \leq 4.7\text{ V}$ | 20       |     |           | V/mV                         |
| Offset Voltage Drift          | $\Delta V_{OS}/\Delta T$ |   |          | 3   |           | $\mu\text{V}/^\circ\text{C}$ |
| <b>OUTPUT CHARACTERISTICS</b> |                          |   |          |     |           |                              |
| Output Voltage High           | $V_{OH}$                 | $I_L = 10\text{ mA Source}$   | +4.8     |     |           | V                            |
| Output Voltage Low            | $V_{OL}$                 | $I_L = 10\text{ mA Sink}$   |          |     | -4.85     | V                            |
| Short Circuit Limit           | $I_{SC}$                 | $T_A = 25^\circ\text{C}$  | $\pm 50$ |     |           | mA                           |
| Open-Loop Output Impedance    | $Z_{OUT}$                | $f = 1\text{ MHz}$ , $A_V = +1$   |          | 22  |           | $\Omega$                     |
| <b>POWER SUPPLY</b>           |                          |   |          |     |           |                              |
| Supply Current/Amplifier      | $I_{SY}$                 | $V_S = \pm 6\text{ V}$ , $V_{OUT} = 0\text{ V}$                           |          |     | 3.75      | mA                           |
| <b>DYNAMIC PERFORMANCE</b>    |                          |   |          |     |           |                              |
| Slew Rate                     | SR                       | $R_L = 1\text{ k}\Omega$ , $1\text{ nF}$                                  |          | 3   |           | V/ $\mu\text{s}$             |
| Full-Power Bandwidth          | $BW_p$                   | 1% Distortion   |          |     |           | kHz                          |
| Gain Bandwidth Product        | GBP                      |   |          | 5   |           | MHz                          |
| Phase Margin                  | $\phi_m$                 |   |          | 69  |           | Degrees                      |
| <b>NOISE PERFORMANCE</b>      |                          |   |          |     |           |                              |
| Voltage Noise                 | $e_n\text{ p-p}$         | 0.1 Hz to 10 Hz   |          | 2   |           | $\mu\text{V p-p}$            |
| Voltage Noise Density         | $e_n$                    | $f = 1\text{ kHz}$  |          | 22  |           | $\text{nV}/\sqrt{\text{Hz}}$ |
| Current Noise Density         | $i_n$                    |   |          | 1   |           | $\text{pA}/\sqrt{\text{Hz}}$ |

Specifications subject to change without notice.

# OP179/OP279

## ABSOLUTE MAXIMUM RATINGS

|  |                 |
|--|-----------------|
| Supply Voltage                             | 16 V            |
| Input Voltage                              | 16 V            |
| Differential Input Voltage <sup>1</sup>    | ±1 V            |
| Output Short-Circuit Duration to GND       | Indefinite      |
| Storage Temperature Range                  |                 |
| S, RT, RU Package                          | -65°C to +150°C |
| Operating Temperature Range                |                 |
| OP179G/OP279G                              | -40°C to +85°C  |
| Junction Temperature Range                 |                 |
| S, RT, RU Package                          | -65°C to +150°C |
| Lead Temperature Range (Soldering, 60 sec) | 300°C           |

| Package Types      | $\theta_{JA}^2$ | $\theta_{JC}$ | Unit |
|--------------------|-----------------|---------------|------|
| 5-Lead SOT-23 (RT) | 256             | 81            | °C/W |
| 8-Lead SOIC (S)    | 158             | 43            | °C/W |
| 8-Lead TSSOP (RU)  | 240             | 43            | °C/W |

### NOTES

<sup>1</sup>The inputs are clamped with back-to-back diodes. If the differential input voltage exceeds 1 volt, the input current should be limited to 5 mA.

<sup>2</sup> $\theta_{JA}$  is specified for the worst-case conditions, i.e.,  $\theta_{JA}$  is specified for device soldered in circuit board for SOIC packages.

## ORDERING GUIDE

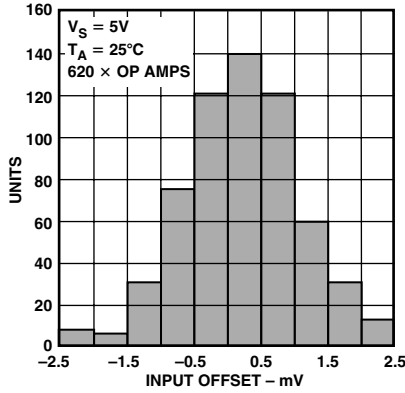
| Package  | Temperature Range | Package Description | Package Option | Brand Code |
|----------|-------------------|---------------------|----------------|------------|
| OP179GRT | -40°C to +85°C    | 5-Lead SOT-23       | RT-5           | A2G        |
| OP279GS  | -40°C to +85°C    | 8-Lead SOIC         | SO-8           |            |
| OP279GRU | -40°C to +85°C    | 8-Lead TSSOP        | RU-8           |            |

### CAUTION

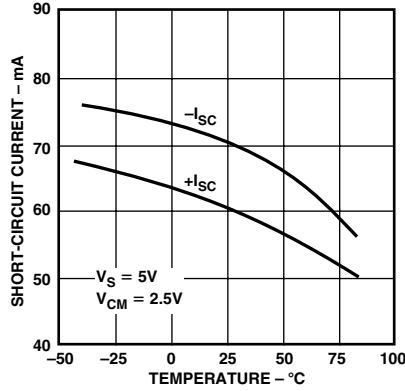
ESD (electrostatic discharge) sensitive device. Electrostatic charges as high as 4000 V readily accumulate on the human body and test equipment and can discharge without detection. Although the OP179/OP279 features proprietary ESD protection circuitry, permanent damage may occur on devices subjected to high energy electrostatic discharges. Therefore, proper ESD precautions are recommended to avoid performance degradation or loss of functionality.



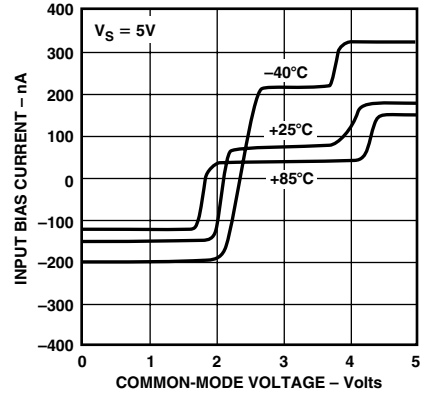
# OP179/OP279 – Typical Performance Characteristics



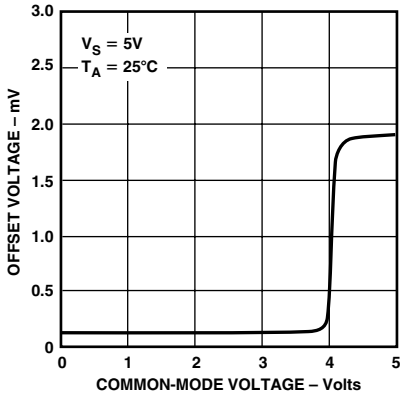
TPC 1. Input Offset Distribution



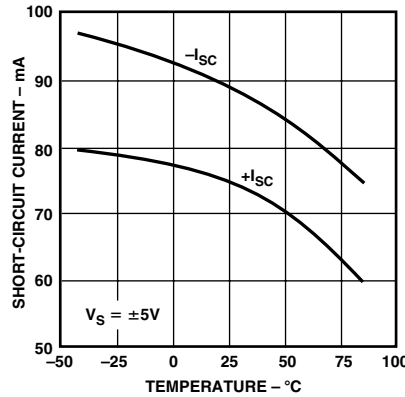
TPC 2. Short-Circuit Current vs. Temperature



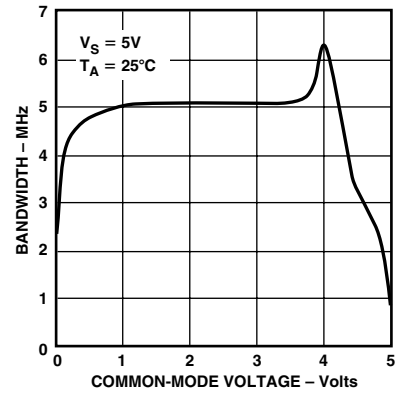
TPC 3. Input Bias Current vs. Common-Mode Voltage



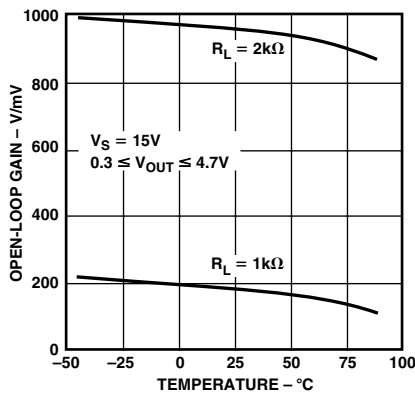
TPC 4. Offset Voltage vs. Common-Mode Voltage



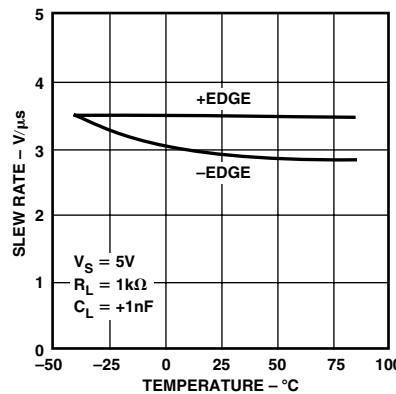
TPC 5. Short-Circuit Current vs. Temperature



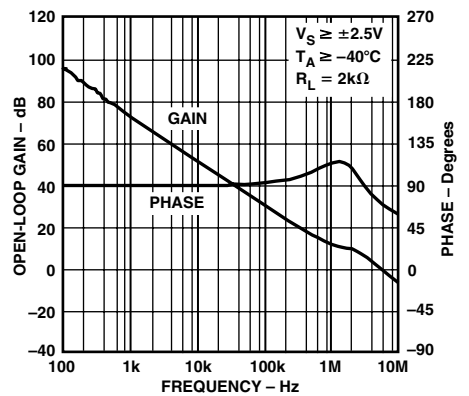
TPC 6. Bandwidth vs. Common-Mode Voltage



TPC 7. Open-Loop Gain vs. Temperature



TPC 8. Slew Rate vs. Temperature



TPC 9. Open-Loop Gain and Phase vs. Frequency



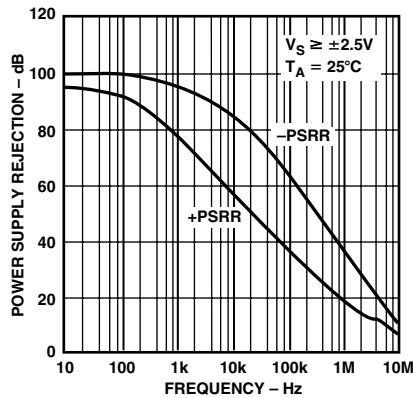
TPC 10. Supply Current vs. Temperature



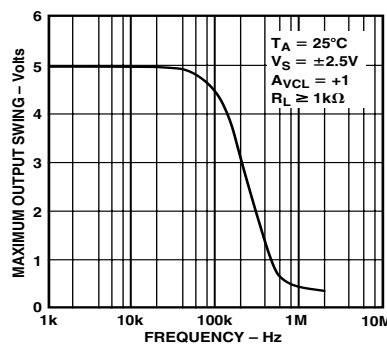
TPC 11. Slew Rate vs. Temperature



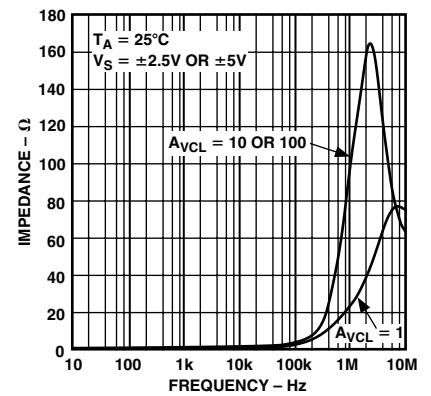
TPC 12. Open-Loop Gain and Phase vs. Frequency



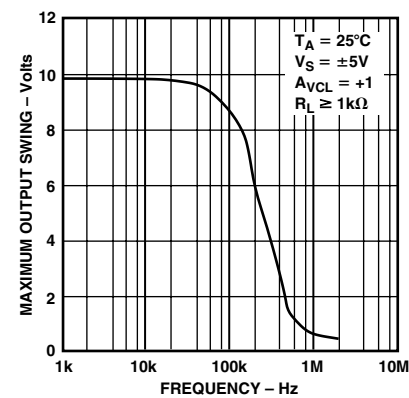
TPC 13. Power Supply Rejection vs. Frequency



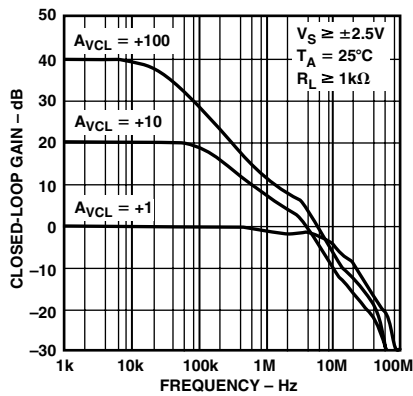
TPC 14. Maximum Output Swing vs. Frequency



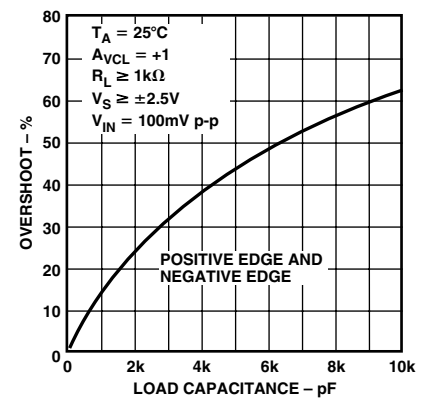
TPC 15. Closed-Loop Output Impedance vs. Frequency



TPC 16. Maximum Output Swing vs. Frequency

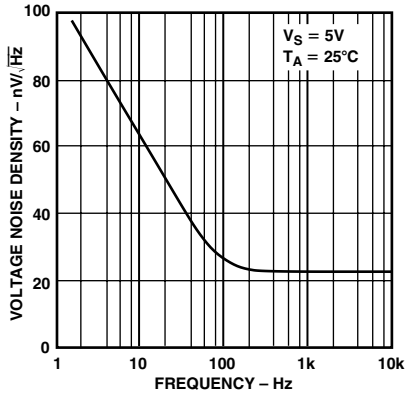


TPC 17. Closed-Loop Gain vs. Frequency

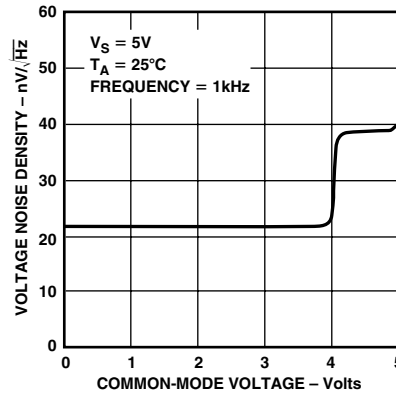


TPC 18. Small Signal Overshoot vs. Load Capacitance

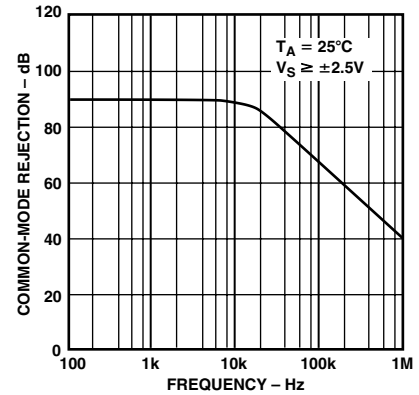
# OP179/OP279



TPC 19. Voltage Noise Density vs. Frequency



TPC 20. Voltage Noise Density vs. Common-Mode Voltage



TPC 21. Common-Mode Rejection vs. Frequency

## THEORY OF OPERATION

The OP179/OP279 is the latest entry in Analog Devices' expanding family of single-supply devices, designed for the multimedia and telecom marketplaces. It is a high output current drive, rail-to-rail input/output operational amplifier, powered from a single 5 V supply. It is also intended for other low supply voltage applications where low distortion and high output current drive are needed. To combine the attributes of high output current and low distortion in rail-to-rail input/output operation, novel circuit design techniques are used.

For example, TPC 1 illustrates a simplified equivalent circuit for the OP179/OP279's input stage. It is comprised of two PNP differential pairs, Q5-Q6 and Q7-Q8, operating in parallel, with diode protection networks. Diode networks D5-D6 and D7-D8 serve to clamp the applied differential input voltage to the OP179/OP279, thereby protecting the input transistors against avalanche damage. The fundamental differences between these two PNP gain stages are that the Q7-Q8 pair are normally OFF and that their inputs are buffered from the operational amplifier inputs by Q1-D1-D2 and Q9-D3-D4. Operation is best understood as a function of the applied common-mode voltage: When the inputs of the OP179/OP279 are biased midway between the supplies, the differential signal path gain is controlled by the resistively loaded (via R7, R8) Q5-Q6. As the input common-mode level is reduced toward the negative supply ( $V_{NEG}$  or GND), the input transistor current sources, I1 and I3, are forced into saturation, thereby forcing the Q1-D1-D2 and Q9-D3-D4 networks into cutoff; however, Q5-Q6 remain active, providing input stage gain. On the other hand, when the common-mode input voltage is increased toward the positive supply, Q5-Q6 are driven into cutoff, Q3 is driven into saturation, and Q4 becomes active, providing bias to the Q7-Q8 differential pair. The point at which the Q7-Q8 differential pair becomes active is approximately equal to  $(V_{POS} - 1 V)$ .



Figure 1. OP179/OP279 Equivalent Input Circuit

The key issue here is the behavior of the input bias currents in this stage. The input bias currents of the OP179/OP279 over the range of common-mode voltages from  $(V_{NEG} + 1 V)$  to  $(V_{POS} - 1 V)$  are the arithmetic sum of the base currents in Q1-Q5 and Q9-Q6. Outside of this range, the input bias currents are dominated by the base current sum of Q5-Q6 for input signals close to  $V_{NEG}$ , and of Q1-Q5 (Q9-Q6) for input signals close to  $V_{POS}$ . As a result of this design approach, the input bias currents in the OP179/OP279 not only exhibit different amplitudes, but also exhibit different polarities. This input bias current behavior is best illustrated in TPC 3. It is, therefore, of paramount importance that the effective source impedances connected to the OP179/OP279's inputs are balanced for optimum dc and ac performance.

In order to achieve rail-to-rail output behavior, the OP179/OP279 design employs a complementary common-emitter (or  $g_m R_L$ ) output stage (Q15-Q16), as illustrated in Figure 2. These amplifiers provide output current until they are forced into saturation, which occurs at approximately 50 mV from either supply rail. Thus, their saturation voltage is the limit on the maximum output voltage swing in the OP179/OP279. The output stage also exhibits voltage gain, by virtue of the use of common-emitter amplifiers; and, as a result, the voltage gain of the output stage (thus, the open-loop gain of the device) exhibits a strong dependence to the total load resistance at the output of the OP179/OP279 as illustrated in TPC 7.

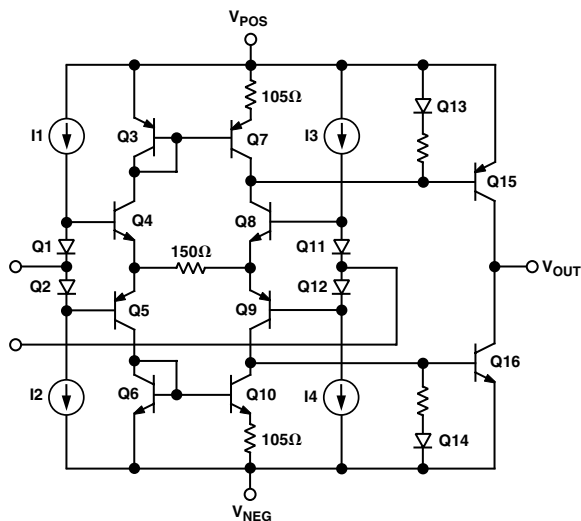


Figure 2. OP179/OP279 Equivalent Output Circuit

### Input Overvoltage Protection

As with any semiconductor device, whenever the condition exists for the input to exceed either supply voltage, the device's input overvoltage characteristic must be considered. When an overvoltage occurs, the amplifier could be damaged, depending on the magnitude of the applied voltage and the magnitude of the fault current. Figure 3 illustrates the input overvoltage characteristic of the OP179/OP279. This graph was generated with the power supplies at ground and a curve tracer connected to the input. As can be seen, when the input voltage exceeds either supply by more than 0.6 V, internal pn-junctions energize, which allows current to flow from the input to the supplies. As illustrated in the simplified equivalent input circuit (Figure 1), the OP179/OP279 does not have any internal current limiting resistors, so fault currents can quickly rise to damaging levels.

This input current is not inherently damaging to the device as long as it is limited to 5 mA or less. For the OP179/OP279, once the input voltage exceeds the supply by more than 0.6 V, the input current quickly exceeds 5 mA. If this condition continues to exist, an external series resistor should be added. The size of the resistor is calculated by dividing the maximum overvoltage by 5 mA. For example, if the input voltage could reach 100 V, the external resistor should be  $(100 \text{ V}/5 \text{ mA}) = 20 \text{ k}\Omega$ . This resistance should be placed in series with either or both inputs if they are exposed to an overvoltage. Again, in order to ensure optimum dc and ac performance, it is important to balance source imped-

ance levels. For more information on general overvoltage characteristics of amplifiers refer to the *1993 Seminar Applications Guide*, available from the Analog Devices Literature Center.

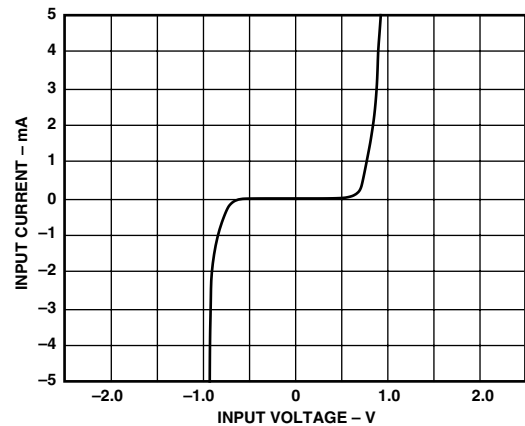


Figure 3. OP179/OP279 Input Overvoltage Characteristic

### Output Phase Reversal

Some operational amplifiers designed for single-supply operation exhibit an output voltage phase reversal when their inputs are driven beyond their useful common-mode range. Typically for single-supply bipolar op amps, the negative supply determines the lower limit of their common-mode range. With these devices, external clamping diodes, with the anode connected to ground and the cathode to the inputs, input signal excursions are prevented from exceeding the device's negative supply (i.e., GND), preventing a condition that could cause the output voltage to change phase. JFET input amplifiers may also exhibit phase reversal and, if so, a series input resistor is usually required to prevent it.

The OP179/OP279 is free from reasonable input voltage range restrictions provided that input voltages no greater than the supply voltages are applied. Although the device's output will not change phase, large currents can flow through the input protection diodes, shown in Figure 1. Therefore, the technique recommended in the Input Overvoltage Protection section should be applied in those applications where the likelihood of input voltages exceeding the supply voltages is possible.

### Capacitive Load Drive

The OP179/OP279 has excellent capacitive load driving capabilities. It can drive up to 10 nF directly as the performance graph titled Small Signal Overshoot vs. Load Capacitance (TPC 18) shows. However, even though the device is stable, a capacitive load does not come without a penalty in bandwidth. As shown in Figure 4, the bandwidth is reduced to under 1 MHz for loads greater than 3 nF. A "snubber" network on the output will not increase the bandwidth, but it does significantly reduce the amount of overshoot for a given capacitive load. A snubber consists of a series R-C network ( $R_S, C_S$ ), as shown in Figure 5, connected from the output of the device to ground. This network operates in parallel with the load capacitor,  $C_L$ , to provide phase lag compensation. The actual value of the resistor and capacitor is best determined empirically.

# OP179/OP279

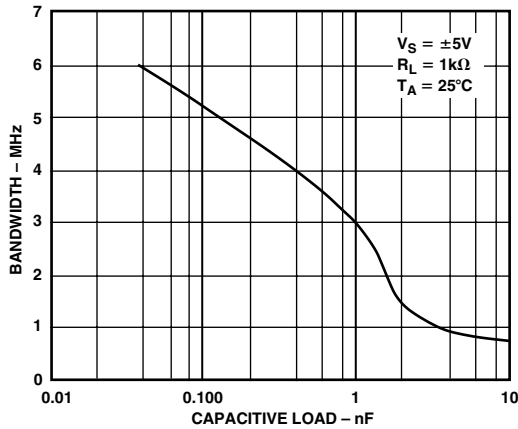


Figure 4. OP179/OP279 Bandwidth vs. Capacitive Load

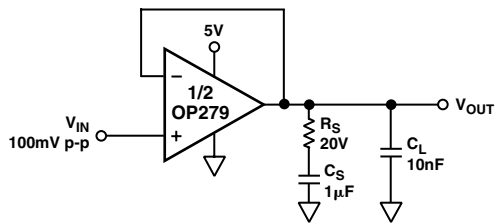


Figure 5. Snubber Network Compensates for Capacitive Load

The first step is to determine the value of the resistor,  $R_S$ . A good starting value is 100  $\Omega$  (typically, the optimum value will be less than 100  $\Omega$ ). This value is reduced until the small-signal transient response is optimized. Next,  $C_S$  is determined—10  $\mu\text{F}$  is a good starting point. This value is reduced to the smallest value for acceptable performance (typically, 1  $\mu\text{F}$ ). For the case of a 10 nF load capacitor on the OP179/OP279, the optimal snubber network is a 20  $\Omega$  in series with 1  $\mu\text{F}$ . The benefit is immediately apparent as seen in the scope photo in Figure 6. The top trace was taken with a 10 nF load and the bottom trace with the 20  $\Omega$ , 1  $\mu\text{F}$  snubber network in place. The amount of overshoot and ringing is dramatically reduced. Table I illustrates a few sample snubber networks for large load capacitors.

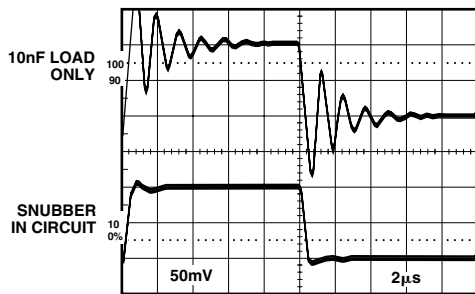


Figure 6. Overshoot and Ringing Are Reduced by Adding a "Snubber" Network in Parallel with the 10 nF Load

Table I. Snubber Networks for Large Capacitive Loads

| Load Capacitance ( $C_L$ ) | Snubber Network ( $R_S$ , $C_S$ ) |
|----------------------------|-----------------------------------|
| 10 nF                      | 20 $\Omega$ , 1 $\mu\text{F}$     |
| 100 nF                     | 5 $\Omega$ , 10 $\mu\text{F}$     |
| 1 $\mu\text{F}$            | 0 $\Omega$ , 10 $\mu\text{F}$     |

## Overload Recovery Time

Overload, or overdrive, recovery time of an operational amplifier is the time required for the output voltage to recover to its linear region from a saturated condition. This recovery time is important in applications where the amplifier must recover after a large transient event. The circuit in Figure 7 was used to evaluate the OP179/OP279's overload recovery time. The OP179/OP279 takes approximately 1  $\mu\text{s}$  to recover from positive saturation and approximately 1.2  $\mu\text{s}$  to recover from negative saturation.

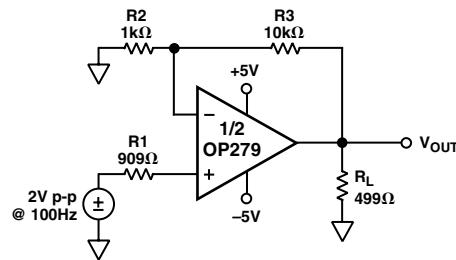


Figure 7. Overload Recovery Time Test Circuit

## Output Transient Current Recovery

In many applications, operational amplifiers are used to provide moderate levels of output current to drive the inputs of ADCs, small motors, transmission lines and current sources. It is in these applications that operational amplifiers must recover quickly to step changes in the load current while maintaining steady-state load current levels. Because of its high output current capability and low closed-loop output impedance, the OP179/OP279 is an excellent choice for these types of applications. For example, when sourcing or sinking a 25 mA steady-state load current, the OP179/OP279 exhibits a recovery time of less than 500 ns to 0.1% for a 10 mA (i.e., 25 mA to 35 mA and 35 mA to 25 mA) step change in load current.

## A Precision Negative Voltage Reference

In many data acquisition applications, the need for a precision negative reference is required. In general, any positive voltage reference can be converted into a negative voltage reference through the use of an operational amplifier and a pair of matched resistors in an inverting configuration. The disadvantage to that approach is that the largest single source of error in the circuit is the relative matching of the resistors used.

The circuit illustrated in Figure 8 avoids the need for tightly matched resistors with the use of an active integrator circuit. In this circuit, the output of the voltage reference provides the input drive for the integrator. The integrator, to maintain circuit equilibrium, adjusts its output to establish the proper relationship between the reference's  $V_{\text{OUT}}$  and GND. Thus, various negative output voltages can be chosen simply by substituting for the appropriate reference IC (see table). To speed up the



ON-OFF settling time of the circuit, R2 can be reduced to 50 kΩ or less. Although the integrator's time constant chosen here is 1 ms, room exists to trade off circuit bandwidth and noise by increasing R3 and decreasing C2. The SHUTDOWN feature is maintained in the circuit with the simple addition of a PNP transistor and a 10 kΩ resistor. One caveat with this approach should be mentioned: although rail-to-rail output amplifiers work best in the application, these operational amplifiers require a finite amount (mV) of headroom when required to provide any load current. The choice for the circuit's negative supply should take this issue into account.

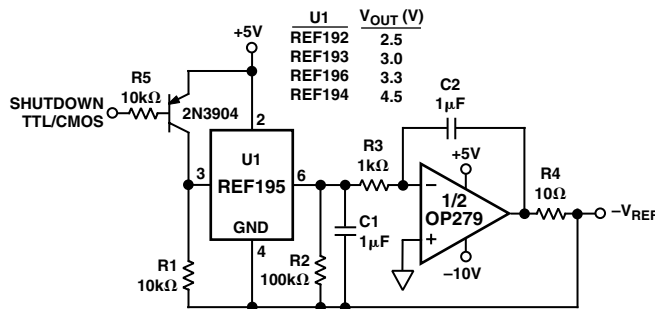


Figure 8. A Negative Precision Voltage Reference That Uses No Precision Resistors Exhibits High Output Current Drive

**A High Output Current, Buffered Reference/Regulator**

Many applications require stable voltage outputs relatively close in potential to an unregulated input source. This “low dropout” type of reference/regulator is readily implemented with a rail-to-rail output op amp, and is particularly useful when using a higher current device such as the OP179/OP279. A typical example is the 3.3 V or 4.5 V reference voltage developed from a 5 V system source. Generating these voltages requires a three-terminal reference, such as the REF196 (3.3 V) or the REF194 (4.5 V), both of which feature low power, with sourcing outputs of 30 mA or less. Figure 9 shows how such a reference can be outfitted with an OP179/OP279 buffer for higher currents and/or voltage levels, plus sink and source load capability.

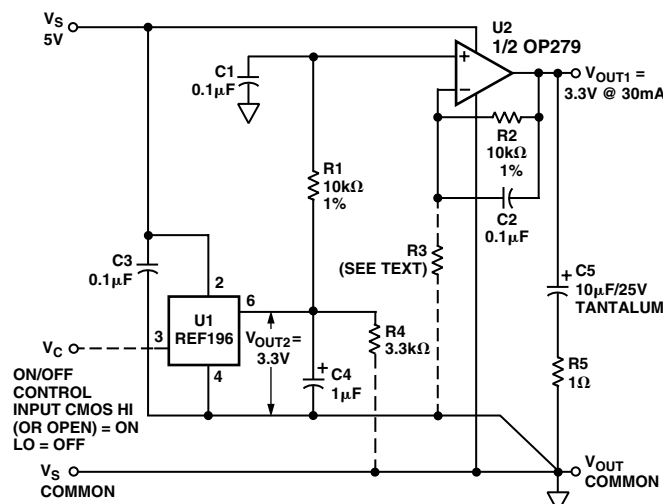


Figure 9. A High Output Current Reference/Regulator

The low dropout performance of this circuit is provided by stage U2, one-half of an OP179/OP279 connected as a follower/buffer for the basic reference voltage produced by U1. The low voltage saturation characteristic of the OP179/OP279 allows up to 30 mA of load current in the illustrated use, as a 5 V to 3.3 V converter with high dc accuracy. In fact, the dc output voltage change for a 30 mA load current delta measures less than 1 mV. This corresponds to an equivalent output impedance of < 0.03 Ω. In this application, the stable 3.3 V from U1 is applied to U2 through a noise filter, R1-C1. U2 replicates the U1 voltage within a few mV, but at a higher current output at V<sub>OUT1</sub>, with the ability to both sink and source output current(s)—unlike most IC references. R2 and C2 in the feedback path of U2 provide bias compensation for lowest dc error and additional noise filtering.

Transient performance of the reference/regulator for a 10 mA step change in load current is also quite good and is determined largely by the R5-C5 output network. With values as shown, the transient is about 10 mV peak and settles to within 2 mV in 8 μs, for either polarity. Although room exists for optimizing the transient response, any changes to the R5-C5 network should be verified by experiment to preclude the possibility of excessive ringing with some capacitor types.

To scale V<sub>OUT2</sub> to another (higher) output level, the optional resistor R3 (shown dotted) is added, causing the new V<sub>OUT1</sub> to become:

$$V_{OUT1} = V_{OUT2} \times \left(1 + \frac{R2}{R3}\right)$$

As an example, for a V<sub>OUT1</sub> = 4.5 V, and V<sub>OUT2</sub> = 2.5 V from a REF192, the gain required of U2 is 1.8 times, so R2 and R3 would be chosen for a ratio of 0.8:1, or 18 kΩ:22.5 kΩ. Note that for the lowest V<sub>OUT1</sub> dc error, the parallel combination of R2 and R3 should be maintained equal to R1 (as here), and the R2-R3 resistors should be stable, close tolerance metal film types.

The circuit can be used as shown as either a 5 V to 3.3 V reference/regulator, or it can be used with ON/OFF control. By driving Pin 3 of U1 with a logic control signal as noted, the output is switched ON/OFF. Note that when ON/OFF control is used, resistor R4 should be used with U1 to speed ON-OFF switching.

**Direct Access Arrangement for Telephone Line Interface**

Figure 10 illustrates a 5 V only transmit/receive telephone line interface for 110 Ω transmission systems. It allows full duplex transmission of signals on a transformer coupled 110 Ω line in a differential manner. Amplifier A1 provides gain that can be adjusted to meet the modem output drive requirements. Both A1 and A2 are configured to apply the largest possible signal on a single supply to the transformer. Because of the OP179/OP279's high output current drive and low dropout voltage, the largest signal available on a single 5 V supply is approximately 4.5 V p-p into a 110 Ω transmission system. Amplifier A3 is configured as a difference amplifier to extract the receive signal from the transmission line for amplification by A4. A4's gain can be adjusted in the same manner as A1's to meet the modem's input signal requirements. Standard resistor values permit the use of SIP (Single In-line Package) format resistor arrays. Couple this with the OP179/OP279's 8-lead SOIC footprint and this circuit offers a compact, cost-sensitive solution.

# OP179/OP279

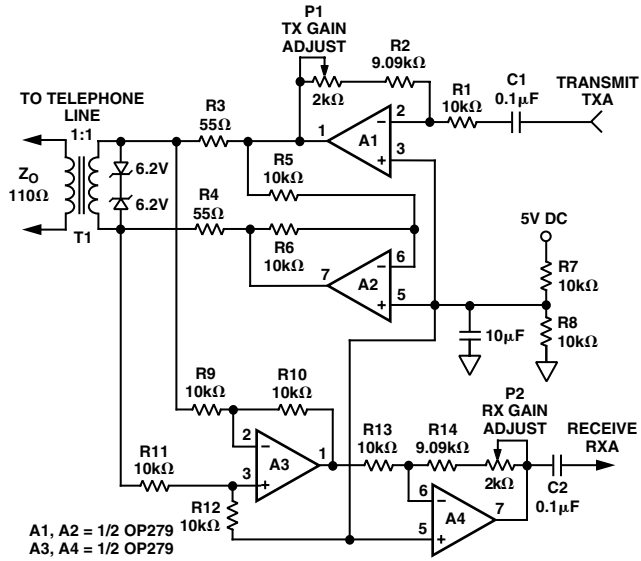


Figure 10. A Single-Supply Direct Access Arrangement for Modems

## A Single-Supply, Remote Strain Gage Signal Conditioner

The circuit in Figure 11 illustrates a way by which the OP179/OP279 can be used in a 12 V single supply, 350 Ω strain gage signal conditioning circuit. In this circuit, the OP179/OP279 serves two functions: (1) By servoing the output of the REF43's 2.5 V output across R1, it provides a 20 mA drive to the 350 Ω strain gage. In this way, small changes in the strain gage produce large differential output voltages across the AMP04's inputs. (2) To maximize the circuit's dynamic range, the other half of the OP179/OP279 is configured as a supply-splitter connected to the AMP04's REF terminal. Thus, tension or compression in the application can be measured by the circuit.

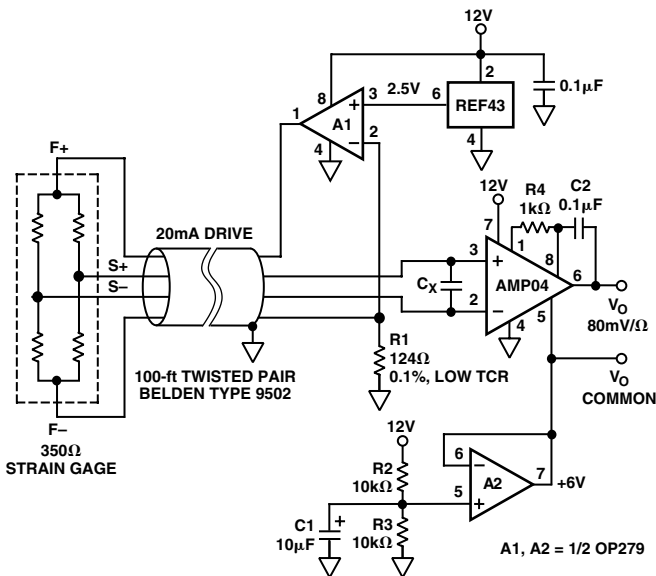


Figure 11. A Single-Supply, Remote Strain Gage Signal Conditioner

The AMP04 is configured for a gain of 100, producing a circuit sensitivity of 80 mV/Ω. Capacitor C2 is used across the AMP04's Pins 8 and 6 to provide a 16-Hz noise filter. If additional noise filtering is required, an optional capacitor, C<sub>X</sub>, can be used across the AMP04's input to provide differential-mode noise rejection.

## A Single-Supply, Balanced Line Driver

The circuit in Figure 12 is a unique line driver circuit topology used in professional audio applications and has been modified for automotive audio applications. On a single 12 V supply, the line driver exhibits less than 0.02% distortion into a 600 Ω load across the entire audio band (not shown). For loads greater than 600 Ω, distortion performance improves to where the circuit exhibits less than 0.002%. The design is a transformerless, balanced transmission system where output common-mode rejection of noise is of paramount importance. Like the transformer-based system, either output can be shorted to ground for unbalanced line driver applications without changing the circuit gain of 1. Other circuit gains can be set according to the equation in the diagram. This allows the design to be easily configured for noninverting, inverting, or differential operation.

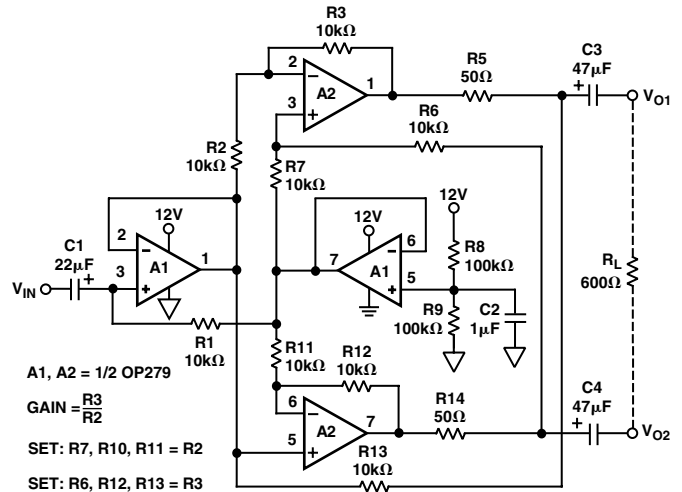


Figure 12. A Single-Supply, Balanced Line Driver for Automotive Applications

**A Single-Supply Headphone Amplifier**

Because of its high speed and large output drive, the OP179/P279 makes for an excellent headphone driver, as illustrated in Figure 13. Its low supply operation and rail-to-rail inputs and outputs give a maximum signal swing on a single 5 V supply. To ensure maximum signal swing available to drive the headphone, the amplifier inputs are biased to  $V+/2$ , which is in this case 2.5 V. The 100 k $\Omega$  resistor to the positive supply is equally split into two 50 k $\Omega$  with their common point bypassed by 10  $\mu$ F to prevent power supply noise from contaminating the audio signal.



Figure 13. A Single-Supply, Stereo Headphone Driver

The audio signal is then ac-coupled to each input through a 10  $\mu$ F capacitor. A large value is needed to ensure that the 20 Hz audio information is not blocked. If the input already has the proper dc bias, the ac coupling and biasing resistors are not required. A 220  $\mu$ F capacitor is used at the output to couple the amplifier to the headphone. This value is much larger than that used for the input because of the low impedance of the headphones, which can range from 32  $\Omega$  to 600  $\Omega$ . An additional 16  $\Omega$  resistor is used in series with the output capacitor to protect the op amp's output stage by limiting capacitor discharge current. When driving a 48  $\Omega$  load, the circuit exhibits less than 0.02% THD+N at low output drive levels (not shown). The OP179/OP279's high current output stage can drive this heavy load to 4 V p-p and maintain less than 1% THD+N.

**Active Filters**

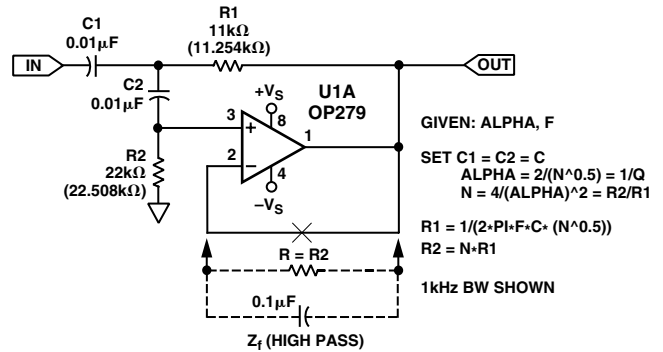
Several active filter topologies are useful with the OP179/OP279. Among these are two popular architectures, the familiar Sallen-Key (SK) voltage controlled voltage source (VCVS) and the multiple feedback (MFB) topologies. These filter types can be arranged for high pass (HP), low pass (LP), and band-pass (BP) filters. The SK filter type uses the op amp as a fixed gain voltage follower at unity or a higher gain, while the MFB structure uses it as an inverting stage. Discussed here are simplified, 2-pole forms of these filters, highly useful as system building blocks.

**UNITY-GAIN, SALLEN-KEY (VCVS) FILTERS**

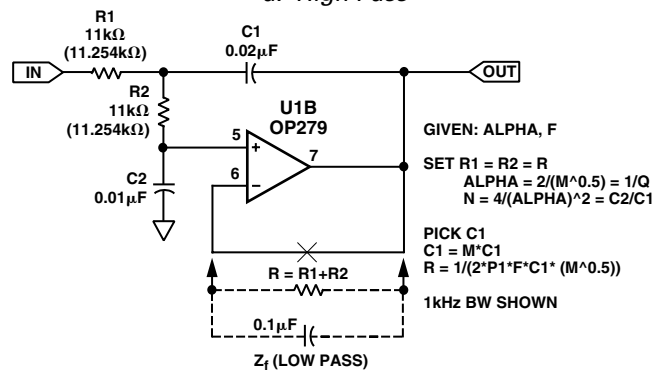
**High Pass Configurations**

Figure 14a is the HP form of a unity-gain 2-pole SK filter using an OP179/OP279 section. For this filter and its LP counterpart, the gain in the passband is inherently unity, and the signal phase is noninverting due to the follower hookup. For simplicity and practicality, capacitors C1-C2 are set equal, and resistors R2-R1 are adjusted to a ratio "N," which provides the filter damping " $\alpha$ " as per the design expressions. An HP design starts with the selection of standard capacitor values for C1 and C2, and a calculation of N. R1 and R2 are then calculated as per the figure expressions.

In these examples,  $\alpha$  (or 1/Q) is set equal to  $\sqrt{2}$ , providing a Butterworth (maximally flat) response characteristic. The filter corner frequency is normalized to 1 kHz, with resistor values shown in both rounded and (exact) form. Various other two-pole response shapes are also possible with appropriate selection of  $\alpha$ . For a given response type ( $\alpha$ ), frequency can be easily scaled, using proportional R or C values.



a. High Pass



b. Low Pass

Figure 14. Two-Pole Unity-Gain Sallen Key HP/LP Filters

**Low Pass Configurations**

In the LP SK arrangement of Figure 14b, R and C elements are interchanged, and the resistors are made equal. Here the C2/C1 ratio "M" is used to set the filter  $\alpha$ , as noted. This design is begun with the choice of a standard capacitor value for C1 and a calculation of M, which forces a value of "M  $\times$  C1" for C2. Then, the value "R" for R1 and R2 is calculated as per the expression.

For highest performance, the passive components used for tuning active filters deserve attention. Resistors should be 1%, low TC, metal film types of the RN55 or RN60 style, or similar.

# OP179/OP279

Capacitors should be 1% or 2% film types preferably, such as polypropylene or polystyrene, or NPO (COG) ceramic for smaller values. Somewhat lesser performance is available with the use of polyester capacitors.

## Parasitic Effects in Sallen-Key Implementations

In designing these circuits, moderately low (10 kΩ or less) values for R1-R2 can be used to minimize the effects of Johnson noise when critical, with, of course, practical tradeoffs of capacitor size and expense. DC errors will result for larger values of resistance, unless bias current compensation is used. To add bias compensation in the HP filter of Figure 14a, a feedback compensation resistor with a value equal to R2 is used, shown optionally as Z<sub>b</sub>. This will minimize bias induced offset, reducing it to the product of the OP179/OP279's I<sub>OS</sub> and R2. Similar compensation is applied to the LP filter, using a Z<sub>f</sub> resistance of R1 + R2. Using dc compensation and relatively low filter values, filter output dc errors using the OP179/OP279 will be dominated by V<sub>OS</sub>, which is limited to 4 mV or less. A caveat here is that the additional resistors increase noise substantially—for example, an unbypassed 10 kΩ resistor generates ≈ 12 nV/√Hz of noise. However, the resistance can be ac-bypassed to eliminate noise with a simple shunt capacitor, such as 0.1 μF.

## Sallen-Key Implementations in Single-Supply Applications

The hookups shown illustrate a classical dual supply op amp application, which for the OP179/OP279 would use supplies up to ±5 V. However, these filters can also use the op amp in a single-supply mode, with little if any alteration to the filter itself. To operate single supply, the OP179/OP279 is powered from 5 V at Pin 8 with Pin 4 grounded. The input dc bias for the op amp must be supplied from a dc source equal to one-half supply, or 2.5 V in this case.

For the HP section, dc bias is applied to the common end of R2. R2 is simply returned to an ac ground that is a well-bypassed 2:1 divider across the 5 V source. This can be as simple as a pair of 100 kΩ resistors with a 10 μF bypass cap. The output from the stage is then ac coupled, using an appropriate coupling cap from U1A to the next stage. For the LP section dc bias is applied to the input end of R1, in common with the input signal. This dc can be taken from an unbypassed dual 100 kΩ divider across the supply, with the input signal ac coupled to the divider and R1.

## Multiple Feedback Filters

MFB filters, like their SK relatives, can be used as building blocks as well. They feature LP and HP operation as well, but can also be used in a band-pass BP mode. They have the property of inverting operation in the pass band, since they are based on an inverting amplifier structure. Another useful asset is their ability to be easily configured for gain.

## High Pass Configurations

Figure 15 shows an HP MFB 2-pole filter using an OP179/OP279 section. For this filter, the gain in the pass band is user configurable, and the signal phase is inverting. The circuit uses one more tuning component than the SK types. For simplicity, capacitors C1 and C3 are set to equal standard values, and resistors R1-R2 are selected as per the relationships noted. Gain of this filter, H, is set by capacitors C1 and C2, and this factor limits both gain selectability and precision. Also, input capacitance C1 makes the load seen by the driving stage highly reactive, and limits overall practicality of this filter. The dire effect of C1

loading can be tempered somewhat by using a small series input resistance of about 100 Ω, but can still be an issue.

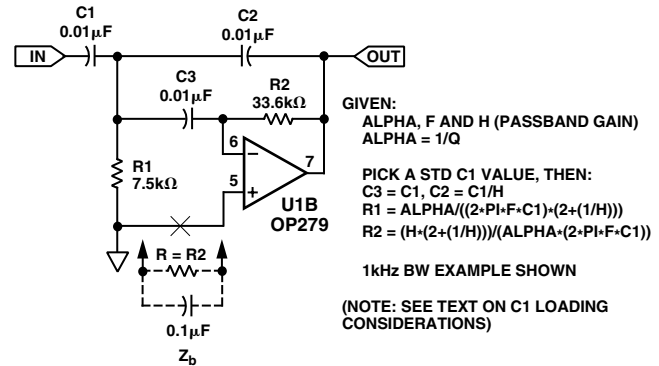


Figure 15. Two-Pole, High Pass Multiple Feedback Filters

In this example, the filter gain is set to unity, the corner frequency is 1 kHz, and the response is a Butterworth type. For applications where dc output offset is critical, bias current compensation can be used for the amplifier. This is provided by network Z<sub>b</sub>, where R is equal to R2, and the capacitor provides a noise bypass.

## Low Pass Configurations

Figure 16 is a LP MFB 2-pole filter using an OP179/OP279 section. For this filter, the gain in the pass band is user configurable over a wide range, and the pass band signal phase is inverting. Given the design parameters for α, F, and H, a simplified design process is begun by picking a standard value for C2. Then C1 and resistors R1-R3 are selected as per the relationships noted. Optional dc bias current compensation is provided by Z<sub>b</sub>, where R is equal to the value of R3 plus the parallel equivalent value of R1 and R2.

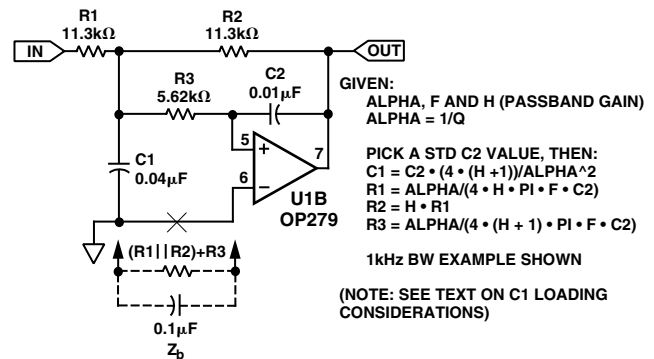


Figure 16. Two-Pole, Low-Pass Multiple Feedback Filters

Gain of this filter, H, is set here by resistors R2 and R1 (as in a standard op amp inverter), and can be just as precise as these resistors allow at low frequencies. Because of this flexible and accurate gain characteristic, plus a low range of component value spread, this filter is perhaps the most practical of all the MFB types. Capacitor ratios are best satisfied by paralleling two or more common types, as in the example, which is a 1 kHz unity-gain Butterworth filter.

**Band-pass Configurations**

The MFB band-pass filter using an OP179/OP279 section is shown in Figure 17. This filter provides reasonably stable medium Q designs for frequencies of up to a few kHz. For best predictability and stability, operation should be restricted to applications where the OP179/OP279 has an open-loop gain in excess of  $2Q^2$  at the filter center frequency.

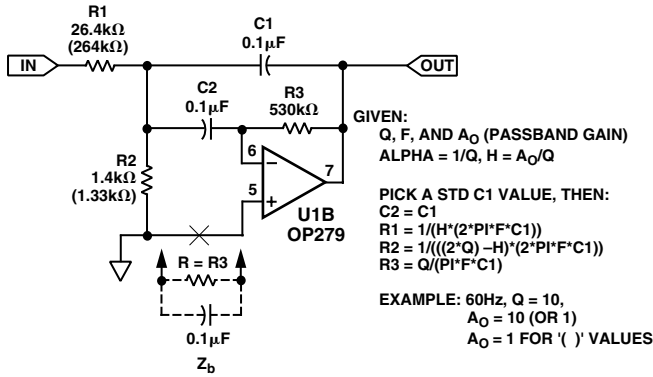


Figure 17. Two-Pole, Band-pass Multiple Feedback Filters

Given the band-pass design parameters for Q, F, and pass band gain  $A_0$ , the design process is begun by picking a standard value for C1. Then C2 and resistors R1-R3 are selected as per the relationships noted. This filter is subject to a wide range of component values by nature. Practical designs should attempt to restrict resistances to a 1 kΩ to 1 MΩ range, with capacitor values of 1 μF or less. When needed, dc bias current compensation is provided by  $Z_b$ , where R is equal to R3.

**Two-Way Loudspeaker Crossover Networks**

Active filters are useful in loudspeaker crossover networks for reasons of small size, relative freedom from parasitic effects, and the ease of controlling low/high channel drive, plus the controlled driver damping provided by a dedicated amplifier. Both Sallen-Key (SK) VCVS and multiple-feedback (MFB) filter architectures are useful in implementing active crossover networks (see Reference 4, page 14), and the circuit shown in Figure 18 is a two-way active crossover that combines the advantages of both filter topologies. This active crossover exhibits less than 0.01% THD+N at output levels of 1 V rms using general purpose unity gain HP/LP stages. In this two-way example, the LO signal is a dc-500 Hz LP woofer output, and the HI signal is the HP (> 500 Hz) tweeter output. U1B forms an MFB LP section at 500 Hz, while U1A provides an SK HP section, covering frequencies  $\geq 500$  Hz.

This crossover network is a Linkwitz-Riley type (see Reference 5, page 14), with a damping factor or  $\alpha$  of 2 (also referred to as “Butterworth squared”). A hallmark of the Linkwitz-Riley type of filter is the fact that the summed magnitude response is flat across the pass band. A necessary condition for this to happen is the relative signal polarity of the HI output must be inverted with respect to the LOW outputs. If only SK filter sections were used, this requires that the connections to one speaker be reversed on installation. Alternately, with one inverting stage used in the LO channel, this accomplishes the same effect. In the circuit as shown, stage U1B is the MFB LP filter, which provides the necessary polarity inversion. Like the SK sections, it is configured for unity gain and an  $\alpha$  of 2. The cutoff frequency is 500 Hz, which complements the SK HP section of U4.

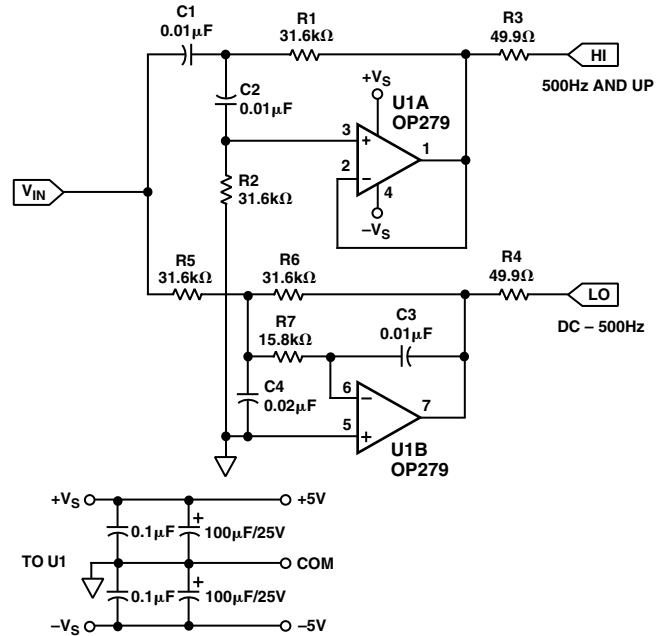


Figure 18. Two-Way Active Crossover Networks

In the filter sections, component values have been selected for good balance between reasonable physical/electrical size, and lowest noise and distortion. DC offset errors can be minimized by using dc compensation in the feedback and bias paths, ac bypassed with capacitors for low noise. Also, since the network input is reactive, it should be driven from a directly coupled low impedance source at  $V_{IN}$ .

Figure 19 shows this filter architecture adapted for single-supply operation from a 5 V dc source, along the lines discussed previously.

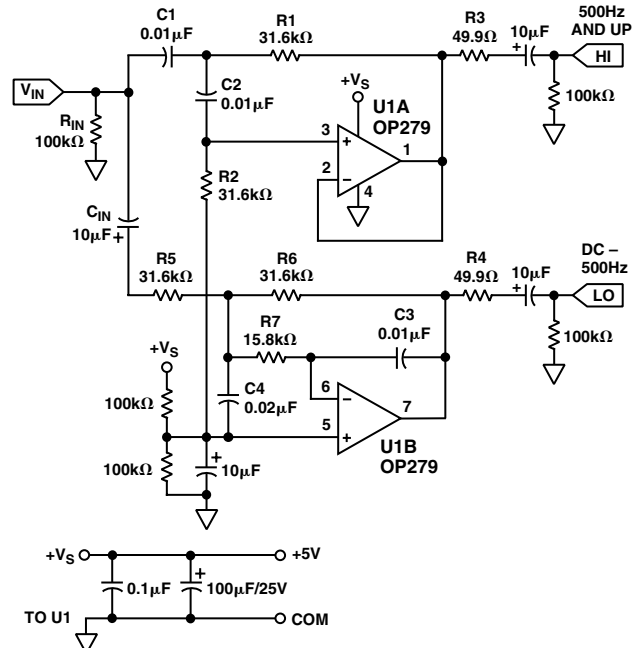


Figure 19. A Single-Supply, Two-Way Active Crossover

# OP179/OP279

The crossover example frequency of 500 Hz can be shifted lower or higher by frequency scaling of either resistors or capacitors. In configuring the circuit for other frequencies, complementary LP/HP action must be maintained between sections, and component values within the sections must be in the same ratio. Table II provides a design aid to adaptation, with suggested standard component values for other frequencies.

**Table II. RC Component Selection for Various Crossover Frequencies**

| Crossover Frequency (Hz) | R1/C1 (U1A)*<br>R5/C3 (U1B)** |
|--------------------------|-------------------------------|
| 100                      | 160 kΩ/0.01 μF                |
| 200                      | 80.6 kΩ/0.01 μF               |
| 319                      | 49.9 kΩ/0.01 μF               |
| 500                      | 31.6 kΩ/0.01 μF               |
| 1 k                      | 16 kΩ/0.01 μF                 |
| 2 k                      | 8.06 kΩ/0.01 μF               |
| 5 k                      | 3.16 kΩ/0.01 μF               |
| 10 k                     | 1.6 kΩ/0.01 μF                |

Table notes (applicable for  $\alpha = 2$ ).

\* For SK stage U1A: R1 = R2, and C1 = C2, etc.

\*\* For MFB stage U1B: R6 = R5, R7 = R5/2, and C4 = 2C3.

## References on Active Filters and Active Crossover Networks

1. Sallen, R.P.; Key, E.L., "A Practical Method of Designing RC Active Filters," *IRE Transactions on Circuit Theory*, Vol. CT-2, March 1955.
2. Huelsman, L.P.; Allen, P.E., *Introduction to the Theory and Design of Active Filters*, McGraw-Hill, 1980.
3. Zumbahlen, H., "Chapter 6: Passive and Active Analog Filtering," within 1992 *Analog Devices Amplifier Applications Guide*.
4. Zumbahlen, H., "Speaker Crossovers," within Chapter 8 of 1993 *Analog Devices System Applications Guide*.
5. Linkwitz, S., "Active Crossover Networks for Noncoincident Drivers," *JAES*, Vol. 24, #1, Jan/Feb 1976.

OP179/OP279 Spice Macro Model

\* OP179/OP279 SPICE Macro Model Rev. A, 5/94

\* ARG / ADI

\* Copyright 1994 by Analog Devices

\* Refer to "README.DOC" file for License Statement. Use of this model indicates your acceptance of the terms and provisions in the License Statement.

\* Node assignments

```

*           noninverting input
*           |   inverting input
*           |   |   positive supply
*           |   |   |   negative supply
*           |   |   |   |   output
*           |   |   |   |   |

```

.SUBCKT OP179/OP279 3 2 99 50 45

\* INPUT STAGE AND POLE AT 6 MHz

```

I1  1  50  60.2E-6
Q1  5  2  7 QN
Q2  6  4  8 QN
D1  4  2  DX
D2  2  4  DX
R1  1  7  1.628E3
R2  1  8  1.628E3
R3  5  99 2.487E3
R4  6  99 2.487E3
C1  5  6  5.333E-12
EOS 4  3  POLY(1) (16,39) 0.25E-3 50.118
IOS 2  3  5E-9
GB1 2  98 (24,98) 100E-9
GB2 4  98 (24,98) 100E-9
CIN 2  3  1E-12

```

\* GAIN STAGE AND DOMINANT POLE AT 16 Hz

```

EREF 98  0  (39,0) 1
G1  98  9  (5,6) 402.124E-6
R7  9  98  497.359E6
C2  9  98  20E-12
V1  99  10  0.58
V2  11  50  0.47
D5  9  10  DX
D6  11  9  DX

```

\* COMMON-MODE STAGE WITH ZERO AT 10 kHz

```

ECM 15  98  POLY(2) (3,39) (2,39) 0 0.5 0.5
R9  15  16  1E6

```

```

R10 16  98  10
C3  15  16  15.915E-12

```

\* ZERO AT 1.5 MHz

```

E1  14  98  (9,39) 1E6
R5  14  18  1E6
R6  18  98  1
C4  14  18  106.103E-15

```

\* BIAS CURRENT-VS-COMMON-MODE VOLTAGE

```

EP  97  0  (99,0) 1
EN  51  0  (50,0) 1
V3  20  21  1.6
V4  22  23  2.8
R12 97  20  530
R13 23  51  1E3
D13 15  21  DX
D14 22  15  DX
FIB 98  24  POLY(2) V3 V4 0 -1 1
RIB 24  98  10E3
E3  97  25  POLY(1) (99,39) -1.63 1
E4  26  51  POLY(1) (39,50) -2.73 1
D15 24  25  DX
D16 26  24  DX

```

\* POLE AT 6 MHz

```

G6  98  40  (18,39) 1E  6
R20 40  98  1E6
C10 40  98  26.526E-15

```

\* OUTPUT STAGE

```

RS1 99  39  6.0345E3
RS2 39  50  6.0345E3
RO1 99  45  40
RO2 45  50  40
G7  45  99  (99,40) 25E-3
G8  50  45  (40,50) 25E-3
G9  98  60  (45,40) 25E-3
D9  60  61  DX
D10 62  60  DX
V7  61  98  DC  0
V8  98  62  DC  0
FSY 99  50  POLY(2) V7 V8 1.711E-3 1 1
D11 41  45  DZ
D12 45  42  DZ
V5  40  41  1.54
V6  42  40  1.54
.MODEL DX D()
.MODEL DZ D(IS=1E-6)
.MODEL QN NPN(BF=300)
.ENDS

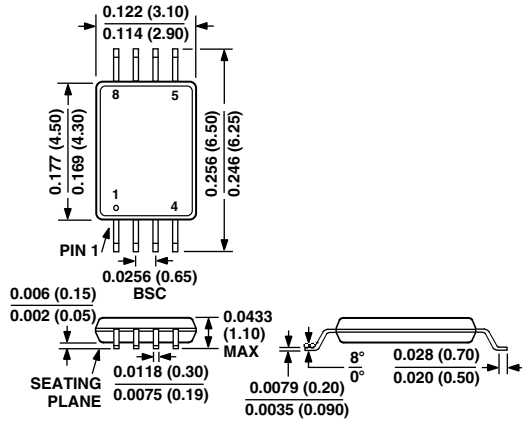
```

# OP179/OP279

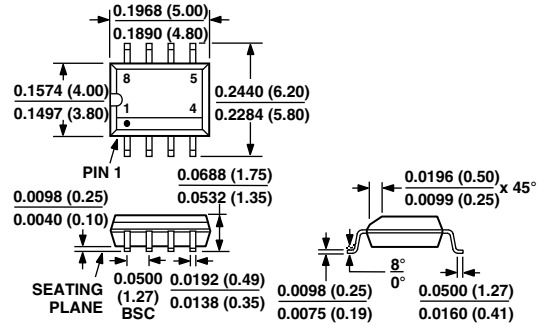
## OUTLINE DIMENSIONS

Dimensions shown in inches and (mm).

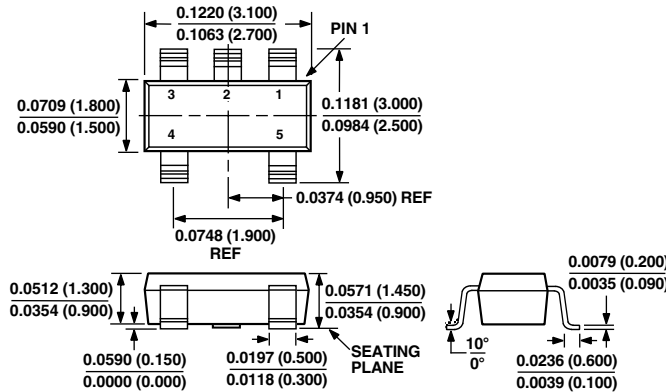
**8-Lead TSSOP  
(RU-8)**



**8-Lead Narrow-Body SO  
(SO-8)**



**5-Lead SOT-23  
(RT-5)**



NOTE:  
PACKAGE OUTLINE INCLUSIVE AS SOLDER PLATING.

## Revision History

| Location                                  | Page |
|---|------|
| Data Sheet changed from REV. F to REV. G. |      |
| Edits to GENERAL DESCRIPTION .....        | 1    |
| Edits to PIN CONNECTIONS .....            | 1    |
| Edits to ORDERING GUIDE .....             | 3    |
| Edits to ABSOLUTE MAXIMUM RATINGS .....   | 3    |
| Edits to PACKAGE TYPES .....              | 3    |
| Edits to OUTLINE DIMENSIONS .....         | 16   |





## Стандарт Электрон Связь

Мы молодая и активно развивающаяся компания в области поставок электронных компонентов. Мы поставляем электронные компоненты отечественного и импортного производства напрямую от производителей и с крупнейших складов мира.

Благодаря сотрудничеству с мировыми поставщиками мы осуществляем комплексные и плановые поставки широчайшего спектра электронных компонентов.

Собственная эффективная логистика и склад в обеспечивает надежную поставку продукции в точно указанные сроки по всей России.

Мы осуществляем техническую поддержку нашим клиентам и предпродажную проверку качества продукции. На все поставляемые продукты мы предоставляем гарантию .

Осуществляем поставки продукции под контролем ВП МО РФ на предприятия военно-промышленного комплекса России , а также работаем в рамках 275 ФЗ с открытием отдельных счетов в уполномоченном банке. Система менеджмента качества компании соответствует требованиям ГОСТ ISO 9001.

Минимальные сроки поставки, гибкие цены, неограниченный ассортимент и индивидуальный подход к клиентам являются основой для выстраивания долгосрочного и эффективного сотрудничества с предприятиями радиоэлектронной промышленности, предприятиями ВПК и научно-исследовательскими институтами России.

С нами вы становитесь еще успешнее!

### Наши контакты:

**Телефон:** +7 812 627 14 35

**Электронная почта:** [sales@st-electron.ru](mailto:sales@st-electron.ru)

**Адрес:** 198099, Санкт-Петербург,  
Промышленная ул, дом № 19, литера Н,  
помещение 100-Н Офис 331