

# AS3415/AS3435

## Integrated Active Noise Cancelling Solution with Bypass Feature

### General Description

The AS3415/35 are speaker drivers with Ambient Noise Cancelling function for headsets, headphones or ear pieces. They are intended to improve quality of e.g. music listening, a phone conversation etc. by reducing background ambient noise.

The fully analog implementation allows the lowest power consumption, lowest system BOM cost and most natural received voice enhancement otherwise difficult to achieve with DSP implementations. The device is designed to be easily applied to existing architectures.

An internal OTP-ROM can be optionally used to store the microphones gain calibration settings. The AS3415/35 can be used in different configurations for best trade-off of noise cancellation, required filtering functions and mechanical designs.

The simpler feed-forward topology is used to effectively reduce frequencies typically up to 2-3 kHz. The feed-back topology with either 1 or 2 filtering stages has its strengths especially at very low frequencies. The typical bandwidth for a feed-back system is from 20Hz up to 1 kHz which is lower than the feed-forward systems.

The filter loop for both systems is determined by measurements, for each specific headset individually, and depends very much on mechanical designs. The gain and phase compensation filter network is implemented with cheap resistors and capacitors for lowest system costs.

### Key Benefits & Features

The benefits and features of AS3415/35, Integrated Active Noise Cancelling Solution with Bypass Feature are listed below:

**Figure 1:**  
Added Value of Using AS3415/35

Benefits	Features
All ANC Topologies	Feed Forward, Feed Back and Hybrid
No mechanical audio bypass switch	Integrated depletion mode transistors
Music EQ functionality	Ultra flexible low power EQ circuit
Longest play time	10mW @1.5V stereo ANC; <1µA quiescent
Highest audio quality	2x24mW, 0.1% THD+N @ 32Ω, 1.5V supply

Benefits	Features
Smallest package	Two different packages available: <ul style="list-style-type: none"> <li>AS3415 QFN32 [5x5mm] 0.5mm pitch</li> <li>AS3435 QFN36 [5x5mm] 0.4mm pitch</li> </ul>
Low battery indication	LED driver with selectable driving strength
Different control interface options	Push Button-, Slide switch- or I <sup>2</sup> C control interface
Highly innovative production trimming interface	OTP production trimming via audio interface
Active hearing mode with or without ANC and optional voice EQ	Monitor mode function

### Applications

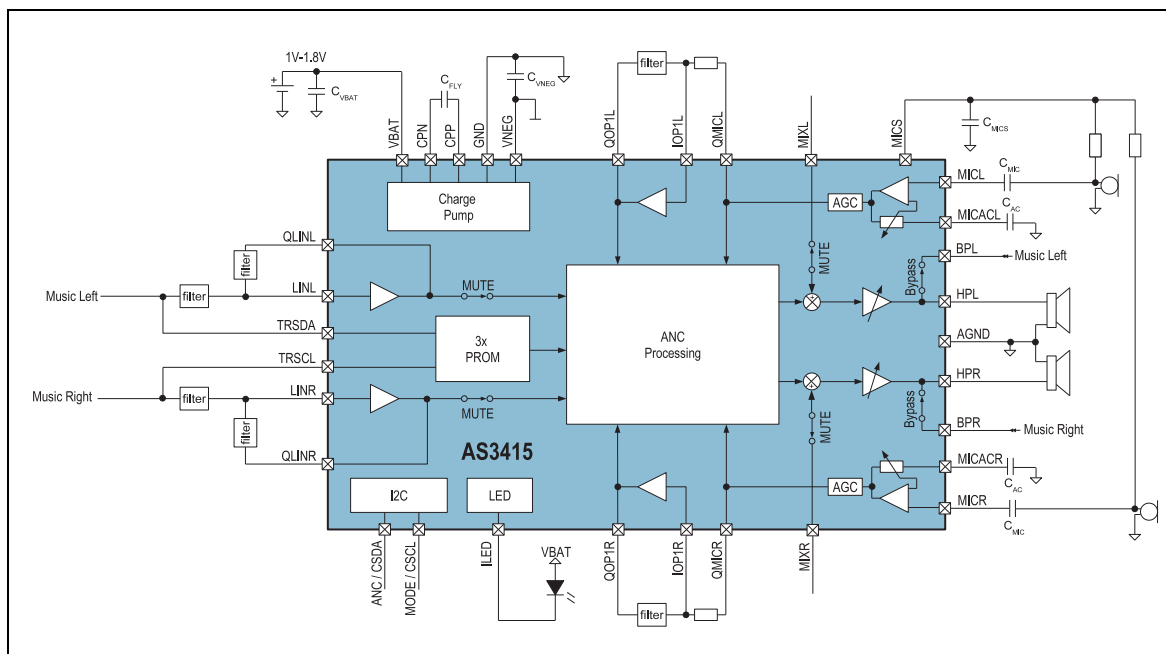
The devices are ideal for:

- Ear pieces
- Headsets
- Hands-Free Kits
- Mobile Phones
- Voice Communicating Devices

### Block Diagram

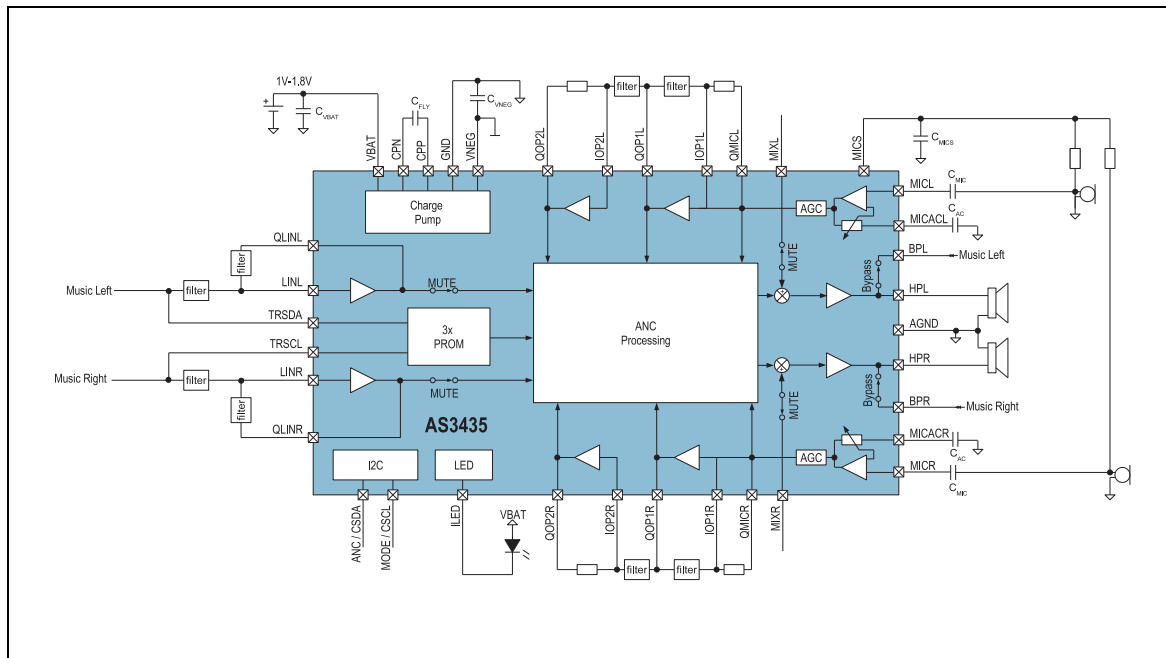
The functional blocks of AS3415/35 for reference are shown below:

**Figure 2:**  
AS3415 Block Diagram



**AS3415 Block Diagram:** This figure shows the block diagram of the AS3415 with all relevant system components.

**Figure 3:**  
**AS3435 Block Diagram**

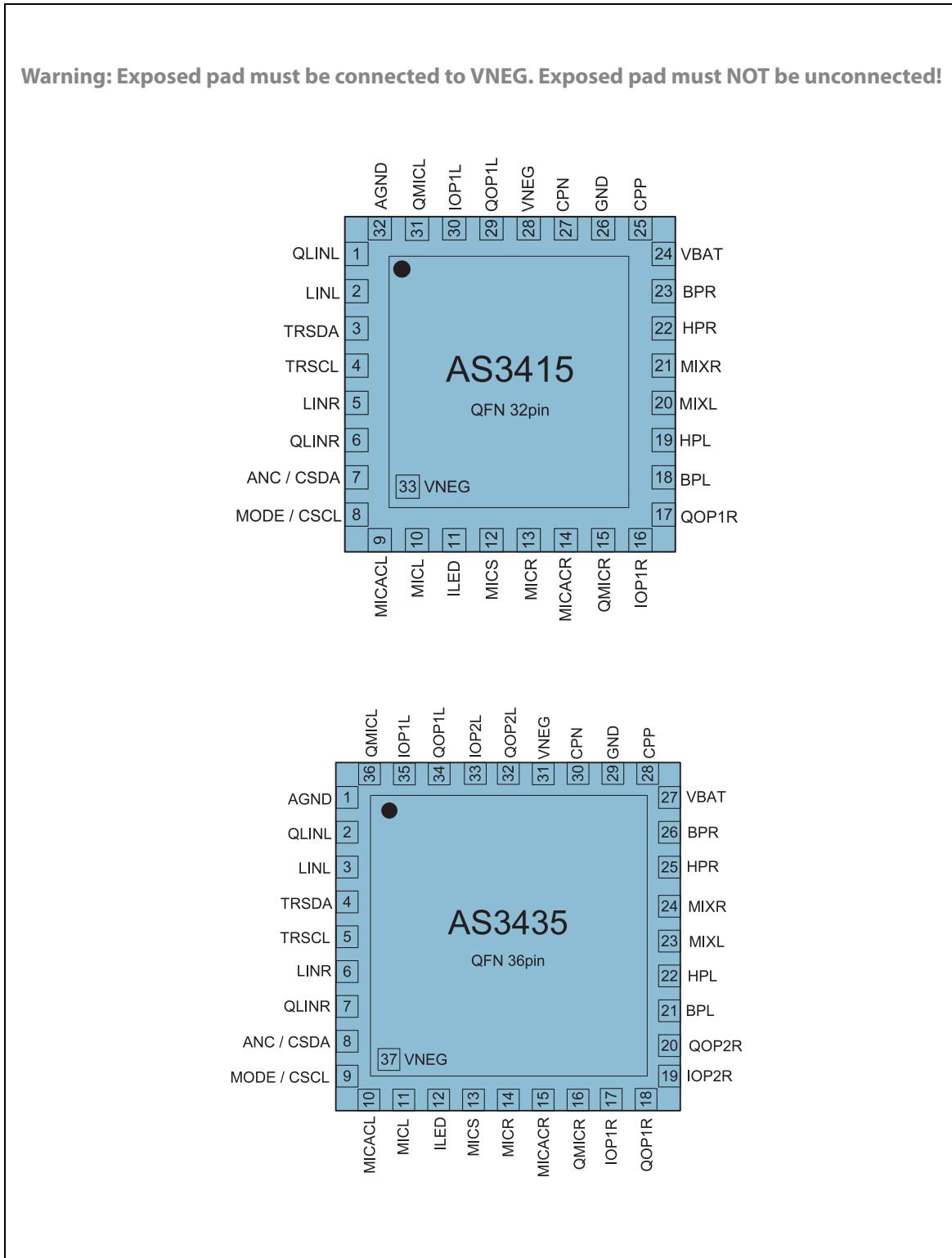


**AS3435 Block Diagram:** This figure shows the block diagram of the AS3435 with all relevant system components.

### Pin Assignment

The AS3415 and AS3435 pin assignments are described below.

Figure 4:  
Pin Assignments



Pin Assignments: Shows the pin assignment of the AS3415 and AS3435 (Top View).

## Pin Description

The following figure shows the pin description for AS3415/35.

**Figure 5:**  
**Pin Description**

Pin Name	Pin Number		Pin Type	Description
	AS3435	AS3415		
AGND	1	32	ANA OUT	Analog reference ground. Do not connect this pin to power or digital ground plane.
QLINL	2	1	ANA OUT	Line input EQ gain stage output left channel.
LINL	3	2	ANA IN	Line input EQ left channel.
TRSDA	4	3	ANA IN	Clock input for production trimming. Can be connected to LINL pin to enable production trimming via 3.5mm audio jack.
TRSCL	5	4	ANA IN	Data input for production trimming. Can be connected to LINR pin to enable production trimming via 3.5mm audio jack.
LINR	6	5	ANA IN	Line input EQ right channel.
QLINR	7	6	ANA IN	Line input EQ gain stage output right channel.
ANC / CSDA	8	7	DIG IN	Serial interface data for I <sup>2</sup> C interface and ANC control to enable/disable ANC.
MODE / CSCL	9	8	DIG IN	Serial Interface Clock for I <sup>2</sup> C interface and control pin for power up/down and Monitor mode.
MICACL	10	9	ANA OUT	Microphone preamplifier AC coupling ground terminal. This pin requires a 10 $\mu$ F capacitor connected to AGND pin.
MICL	11	10	ANA IN	ANC microphone input left channel.
ILED	12	11	ANA IN	Current sink input for on-indication LED.
MICS	13	12	SUP OUT	Microphone Supply output. This pin needs an output blocking capacitor with 10 $\mu$ F.
MICR	14	13	ANA IN	ANC microphone preamplifier input right channel.
MICACR	15	14	ANA OUT	Microphone preamplifier AC coupling ground terminal. This pin requires a 10 $\mu$ F capacitor connected to AGND pin.
QMICR	16	15	ANA OUT	ANC microphone preamplifier output right channel.
IOP1R	17	16	ANA IN	ANC filter OpAmp1 input right channel.
QOP1R	18	17	ANA OUT	ANC filter OpAmp1 output right channel.

Pin Name	Pin Number		Pin Type	Description
	AS3435	AS3415		
IOP2R	19	-	ANA IN	ANC Filter OpAmp2 input right channel.
QOP2R	20	-	ANA OUT	ANC filter OpAmp2 output right channel.
BPL	21	18	ANA IN	Left audio bypass terminal input.
HPL	22	19	ANA OUT	Headphone amplifier output left channel
MIXL	23	20	ANA IN	Headphone amplifier external summation input terminal left channel.
MIXR	24	21	ANA IN	Headphone amplifier external summation input terminal right channel.
HPR	25	22	ANA OUT	Headphone amplifier output right channel
BPR	26	23	ANA OUT	Right audio bypass terminal input.
VBAT	27	24	SUP IN	Positive supply terminal of IC.
CPP	28	25	ANA OUT	V <sub>NEG</sub> charge pump flying capacitor positive terminal.
GND	29	26	GND	V <sub>NEG</sub> charge pump ground terminal.
CPN	30	27	ANA OUT	V <sub>NEG</sub> charge pump flying capacitor negative terminal.
VNEG	31	28	SUP OUT	V <sub>NEG</sub> charge pump output. This pin must be connected to exposed pad of QFN package.
QOP2L	32	-	ANA OUT	ANC Filter OpAmp2 output left channel.
IOP2L	33	-	ANA IN	ANC Filter OpAmp2 input left channel.
QOP1L	34	29	ANA IN	Filter OpAmp1 output left channel.
IOP1L	35	30	ANA OUT	Filter OpAmp1 input left channel.
QMICL	36	31	SUP IN	ANC microphone preamplifier output left channel.
VNEG	37	33	SUP IN	Exposed Pad: Must be connected to VNEG pin 31(AS3435) or 28(AS3415).

**Pin Description:** This table shows a detailed pin description of the AS3415 and AS3435.

## Absolute Maximum Ratings

Stresses beyond those listed under “Absolute Maximum Ratings” may cause permanent damage to the device. These are stress ratings only. Functional operation of the device at these or any other conditions beyond those indicated under “Operating Conditions” is not implied. Exposure to absolute maximum rating conditions for extended periods may affect device reliability.

**Figure 6:**  
Absolute Maximum Ratings

Parameter	Min	Max	Units	Comments
Reference Ground				Defined as in GND
Supply terminals	-0.5	2.0	V	Applicable for pin VBAT
Ground terminals	-0.5	0.5	V	Applicable for pin AGND
Negative terminals	-2.0	0.5	V	Applicable for pins VNEG
Charge Pump pins	$V_{NEG}-0.5$	$V_{BAT}+0.5$	V	Applicable for pins CPN and CPP
Headphone pins	$VSS-0.5$	$V_{BAT}+0.5$	V	Applicable for pins HPR and HPL
Analog pins	$VSS-0.5$	$V_{BAT}+0.5$	V	Applicable for pins LINL, LINR, MICL/R, HPR, HPL, QMICL/R, QLINL/R, IOPx, QOPx, CPP, CPN, TRSCL, TRSDA, MICACL, MICACR, MIXR, MIXL, BPL, BPR and ILED
Control Pins	$VSS-0.5$	5	V	Applicable for pins MICS, ANC/CSDA, MODE/CSCL
Other Pins	$VSS-0.5$	5	V	Applicable for pin MICS
Input Current (latch-up immunity)	-100	100	mA	Norm: JEDEC 17
<b>Continuous Power Dissipation (<math>T_A = +70^\circ\text{C}</math>)</b>				
Continuous Power Dissipation	-	200	mW	PT <sup>(1)</sup> for QFN32/36 package
Electrostatic Discharge				
Electrostatic Discharge HBM		$\pm 2$	kV	Norm: JEDEC JESD22-A114C
<b>Temperature Ranges and Storage Conditions</b>				
Junction Temperature		+85	°C	
Storage Temperature Range	-55	+125	°C	
Humidity non-condensing	5	85	%	
Moisture Sensitive Level	3			Represents a max. floor life time of 168h

Parameter	Min	Max	Units	Comments
Package Body Temperature		260	°C	The reflow peak soldering temperature (body temperature) specified is in accordance with IPC/JEDEC J-STD-020 "Moisture/Reflow Sensitivity Classification for Non-Hermetic Solid State Surface Mount Devices".

**Note(s) and/or Footnote(s):**

1. Depending on actual PCB layout and PCB used



## Electrical Characteristics

All limits are guaranteed. The parameters with min and max values are guaranteed with production tests or SQC (Statistical Quality Control) methods.

$V_{BAT} = 1.0V$  to  $1.8V$ ,  $T_A = -20^{\circ}C$  to  $+85^{\circ}C$ . Typical values are at  $V_{BAT} = 1.5V$ ,  $T_A = +25^{\circ}C$ , unless otherwise specified.

**Figure 7:**  
Electrical Characteristics

Symbol	Parameter	Conditions	Min	Typ	Max	Unit
$T_A$	Ambient Temperature Range		-20		+85	$^{\circ}C$
<b>Supply Voltages</b>						
GND	Reference Ground		0		0	V
$V_{BAT}$	Battery Supply Voltage	Normal operation	1.0		1.8	V
		Two wire interface operation	1.4		1.8	V
$V_{NEG}$	Charge Pump Voltage		-1.8		-0.7	V
$V_{DELTA}$	Difference of Ground Supplies GND, AGND	To achieve good performance, the negative supply terminals should be connected to a low impedance ground plane.	-0.1		0.1	V
<b>Other pins</b>						
$V_{MICS}$	Microphone Supply Voltage	MICS	0		3.7	V
$V_{ANALOG}$	Analog Pins	MICACL, MICACR, LINR, LINL, MIXL, MIXR, HPR, HPL, QMICL, QMICR, QLINL, QLINR, IOPx, QOPx, BPL, BPR	$V_{NEG}$		$V_{BAT}$	V
$V_{CONTROL}$	Control Pins	MODE/CSCL, ANC/CSDA	$V_{NEG}$		3.7	V
$V_{LED}$	ILED current source	ILED	VSS		$V_{BAT}$	V
$V_{CP}$	Charge Pump pins	CPN, CPP	$V_{NEG}$		$V_{BAT}$	V
$V_{TRIM}$	Application Trim Pins	TRSCL and TRSDA	$V_{NEG}$ -0.3 or -1.8		$V_{BAT}$ +0.5 or 1.8	V
$V_{MIC}$	Microphone Inputs	MICL and MICR	VSS		$V_{BAT}$	V
$I_{leak}$	Leakage current	$V_{BAT} < 0.8V$			20	$\mu A$
		$V_{BAT} < 0.6V$			10	$\mu A$

Symbol	Parameter	Conditions	Min	Typ	Max	Unit
<b>Block Power Requirements @ 1.5V V<sub>BAT</sub></b>						
I <sub>OFF</sub>	Off mode current	MODE pin low, device switched off		1		μA
I <sub>SYS</sub>	Reference supply current	Bias generation, oscillator, POR		0.46		mA
I <sub>VNEG</sub>	V <sub>NEG</sub> Charge Pump			0.36		mA
I <sub>LIN</sub>	LineIn gain stage current	No signal, stereo, normal mode		1.4		mA
		No signal, stereo, ECO mode		1		mA
I <sub>MIC</sub>	Mic gain stage current	No signal, stereo, normal mode		1.5		mA
		No signal, stereo, ECO mode		1.1		mA
I <sub>HP</sub>	Headphone stage current	No signal, normal mode		2.4		mA
		No signal, ECO mode		2		mA
I <sub>MICS</sub>	MICS charge pump current	No load		400		μA
I <sub>OP1</sub>	OP1 supply current	OP1L and OP1R enabled, normal mode		1.4		mA
		OP1L and OP1R enabled, ECO mode		1		mA
I <sub>OP2</sub>	OP2 supply current	OP2L and OP2R enabled, normal mode		1.4		mA
		OP2L and OP2R enabled, ECO mode		1		mA
<b>Typical System Power Consumption</b>						
P <sub>FF</sub>	Typical power consumption feed forward application	OP1L, OP1R enabled OP2L, OP2R disabled 500μA microphone load ILED disabled		13.5		mW
P <sub>FF_ECO</sub>	Typical power consumption feed forward application in ECO mode	All blocks in ECO mode OP1L, OP1R enabled OP2L, OP2R disabled 500μA microphone load ILED disabled		10.5		mW
P <sub>FB</sub>	Typical power consumption feed forward application	OP1L, OP1R enabled OP2L, OP2R enabled 500μA microphone load ILED disabled		15.5		mW
P <sub>FB_ECO</sub>	Typical power consumption feedback application in ECO mode	All blocks in ECO mode OP1L, OP1R enabled OP2L, OP2R enabled 500μA microphone load ILED disabled		13		mW

**Electrical Characteristics:** Shows the electrical characteristics like typical supply voltages as well as system current consumption.

## Detailed Description

This section provides a detailed description of the device related components.

### Audio Line Input

The chip features one stereo line input for music playback. Due to the fact that the line input gain stage operates as an inverting amplifier, with access to the negative input pin and the output pin, the gain can be freely configured. In monitor mode the line inputs can also be muted in order to interrupt the music playback and increase speech intelligibility.

Besides setting the gain with a resistor network, it is also possible to do simple EQ functions for sound enhancement. The EQ function can also be used to compensate for low frequency bass losses in ANC headset with a feed-back topology. For feed-forward headsets it can be used for sound enhancement to compensate for example a lack of bass because of physical design constraints of a headset.

### Line Input Gain Setting

The line input gain can be configured with two external resistors,  $R_1$  and  $R_2$ , per channel as shown in [Figure 8](#). The gain can be calculated with the following formula:

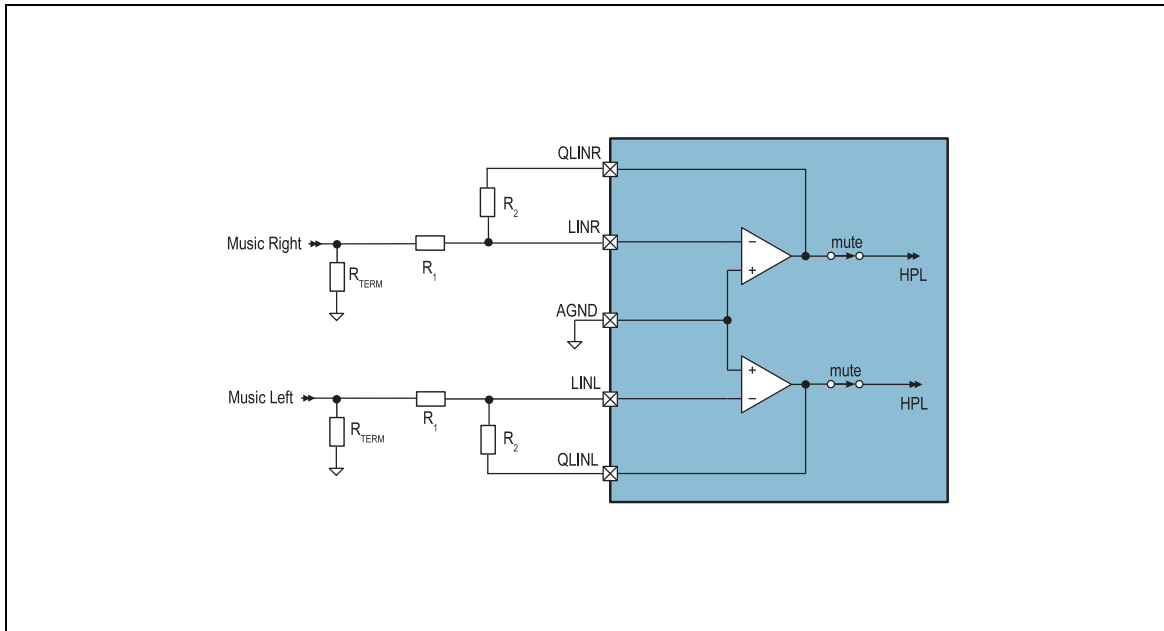
$$A_{Line} = 20 \cdot \log \frac{R_2}{R_1} \dots [\text{dB}]$$

The resistors  $R_1$  and  $R_2$  should be in the range from  $1\text{k}\Omega$  to  $100\text{k}\Omega$ . If the application requires a gain of +6dB the resistor value can be calculated as follows:

$$R_2 = R_1 \cdot 10^{\frac{A_{Line}}{20}} = 10\text{k}\Omega \cdot 10^{\frac{6}{20}} = 20\text{k}\Omega$$

For this example, a resistor value for  $R_1$  was defined as  $10\text{k}\Omega$ . This +6dB calculation yields a value for  $R_2$  of  $20\text{k}\Omega$ .

**Figure 8:**  
**Stereo Line Input**



**Stereo Line Input:** Internal structure of the stereo line input preamplifier.

**High Pass EQ Function**

If there is a high pass function desired in an application, to block very low frequencies that could harm the speaker, or eliminate little offset voltages a simple capacitor  $C_{HP}$  could do this function. The implementation is shown in Figure 10. The correct capacitor value for the desired cut-off frequency can be calculated with the following formula:

$$C_{HP} = \frac{1}{2 \cdot \pi \cdot R_1 \cdot f_{cut-off}}$$

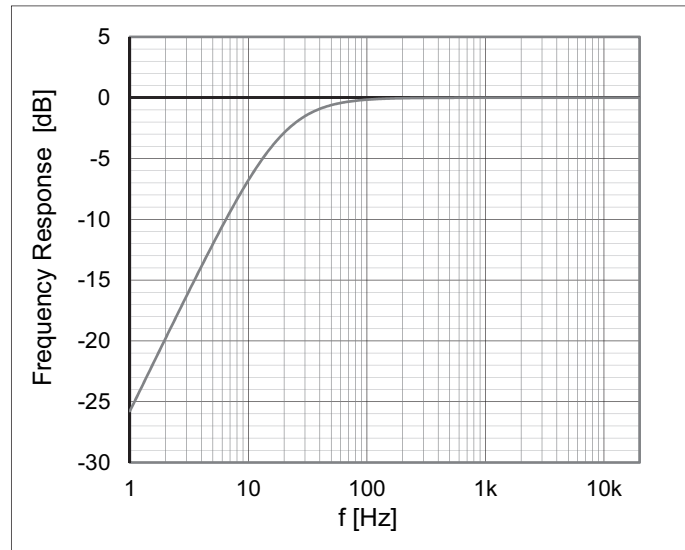
A typical cut-off frequency in an audio application is 20Hz. The resistor value of  $R_1$  in this example is 10kΩ.

$$C_{HP} = \frac{1}{2 \cdot \pi \cdot 10k\Omega \cdot 20Hz} = 796nF$$

The result of the calculation is a capacitor with a value of 796nF. Because such a capacitor is not available on the market a capacitor close to the calculated value should be selected. This would be 750nF or 820nF.

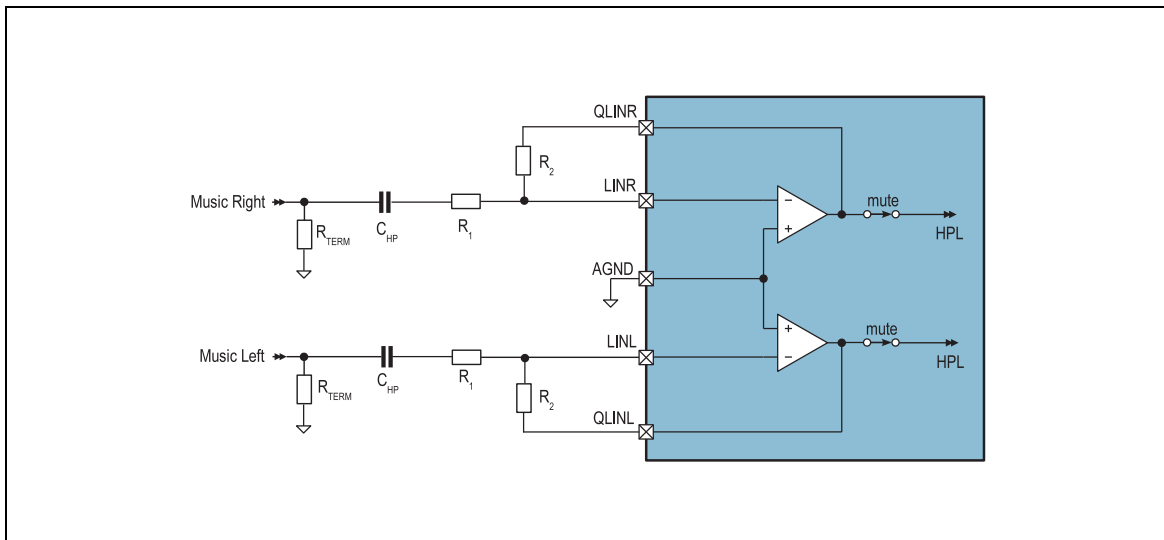
**Figure 9:**  
Frequency Response Line Input High Pass

**Frequency Response Line Input High Pass:** This diagram shows the frequency response of the calculated line input high pass with  $C_{HP}=820\text{nF}$  and  $R_1=10\text{k}\Omega$ .



The frequency response shown in Figure 9 shows the transfer function of the filter calculation. The cut-off frequency is close to 20Hz even though we selected a slightly different capacitor than the calculated one. Therefore it is no problem for an application to select an approximated component value.

**Figure 10:**  
High Pass EQ Circuit



**Stereo Line Input:** This figure shows the circuit diagram for the line input high pass EQ circuit.

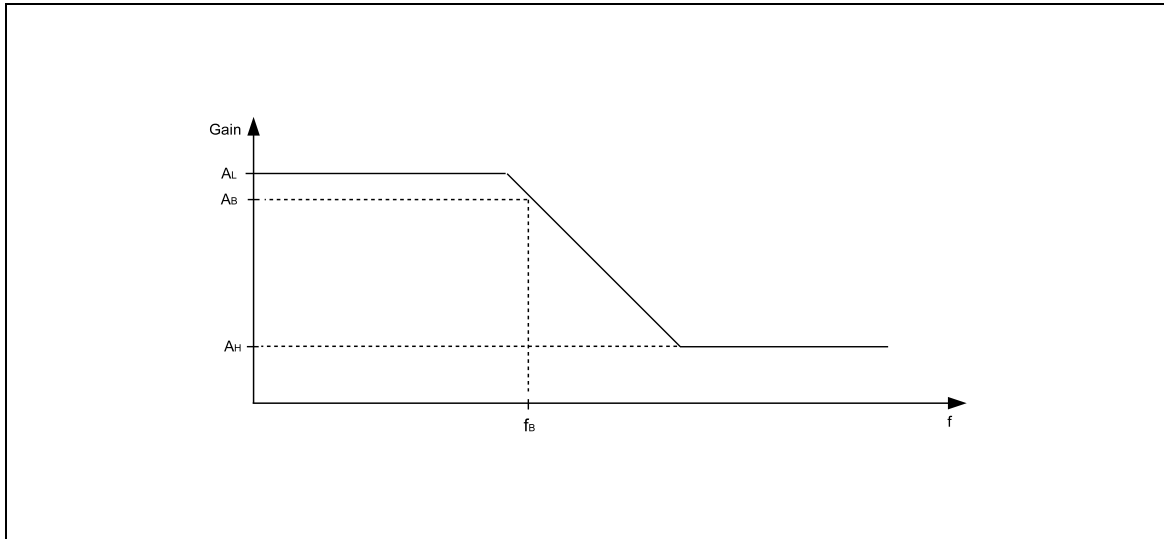
### Bass Boost EQ Function

#### Complex EQ Filtering:

It is also possible to do even more complex EQ filtering than is shown in the example with the integrated EQ amplifier. For details please contact our local support team.

Some applications may require low frequency compensation. This function can either help to compensate low frequency losses due to an ANC feedback circuit or just to help compensate for a lack of low frequency presence in a headset. In order to amplify low frequencies there are three parameters that can be selected by the design engineer. These are shown in Figure 11 below.

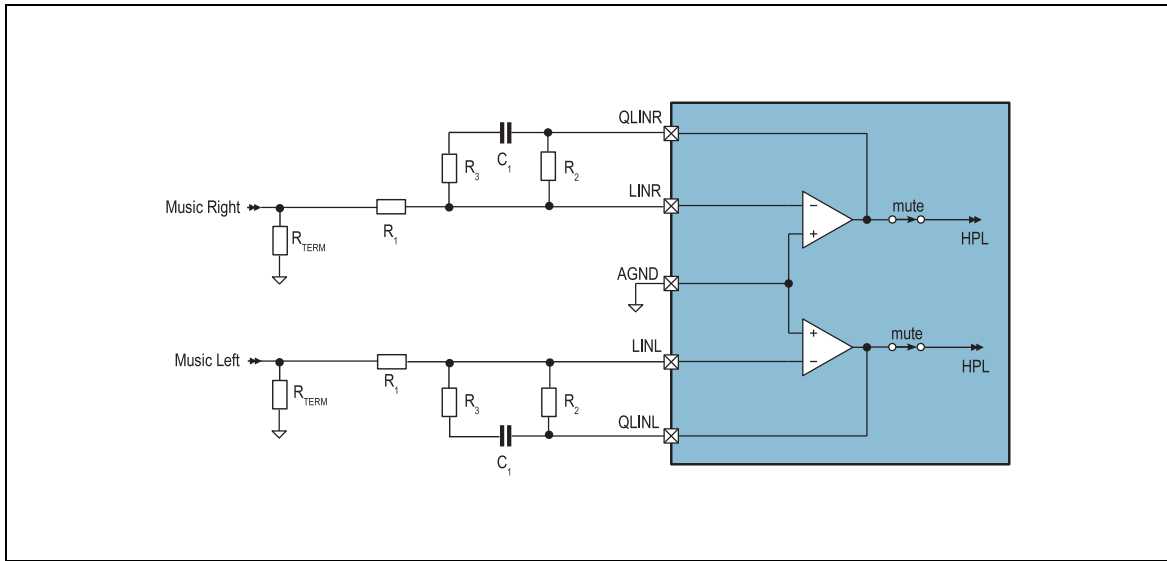
Figure 11:  
Bass Boost Definition



**Bass Boost Definition:** This figure shows the typical shape of a bass boost transfer function with the key parameters for the definition of it.

The first parameter is the desired gain level at the lower frequencies. This parameter is called  $A_L$  and defines the gain below the defined cut-off frequency. The second parameter is  $A_H$ . This defines the gain at the higher frequencies. The boost frequency,  $f_B$ , defines the attenuation at which the low frequency starts to roll off. The design engineer can define the desired attenuation level at the boost frequency. Depending on the overall gain distribution of the system the boost frequency is not the same as the cut off frequency with 3dB attenuation. The application circuit of the bass boost function is shown in Figure 12 below.

**Figure 12:**  
**Bass Boost Circuit**



**Bass Boost Definition:** This figure shows the circuit diagram for the line input bass boost EQ circuit.

The component values for  $A_L$  can be calculated with the following formula:

$$A_L = \frac{R_2}{R_1} \dots [\text{dB}]$$

The component values for  $A_H$  can be calculated with the following formula:

$$A_H = \frac{R_2 \cdot R_3}{R_1 \cdot (R_2 + R_3)} \dots [\text{dB}]$$

An example for a typical bass boost is 6dB gain at the low frequency. If we select for  $R_1$  a value of 10k $\Omega$  we can calculate  $R_2$  as follows:

$$R_2 = 10^{\frac{A_L}{20}} \cdot R_1 = 10^{\frac{6}{20}} \cdot 10\text{k}\Omega = 20\text{k}\Omega$$

In this example, the gain for the higher frequency should be 0dB. This allows us to calculate  $R_3$  as follows:

$$R_3 = \frac{-A_H \cdot R_1 \cdot R_2}{A_H \cdot R_1 - R_2} = \frac{-10^{\frac{0}{20}} \cdot 10\text{k}\Omega \cdot 20\text{k}\Omega}{10^{\frac{0}{20}} \cdot 10\text{k}\Omega - 20\text{k}\Omega} = 20\text{k}\Omega$$

The last component to be calculated for the example is capacitor  $C_1$ . This capacitor defines the cut-off frequency of the bass boost circuit. The desired gain level  $A_{\text{cut-off}}$  at the cut-off frequency can be defined by the engineer together with the frequency. In this example, we select a cut-off frequency of 400Hz and a gain level of 5dB. Thus we get an attenuation of 1dB at a frequency of 400Hz. The necessary capacitor can be calculated with the following formula:

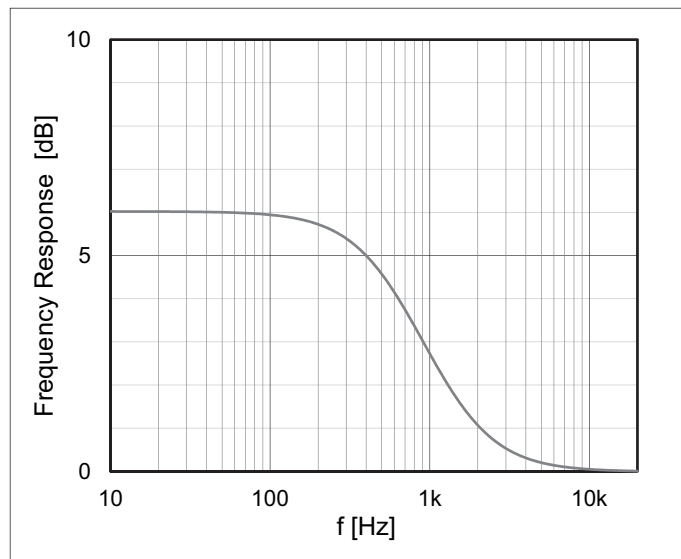
$$C_1 = \frac{\sqrt{R_2^2 - A_B^2 \cdot R_1^2}}{\sqrt{A_B^2 \cdot R_1^2 \cdot (R_2 + R_3)^2 \cdot (2 \cdot \pi \cdot f_B)^2 - R_2^2 \cdot R_3^2 \cdot (2 \cdot \pi \cdot f_B)^2}}$$

$$C_1 = \frac{\sqrt{20000^2 - 10^{\frac{5}{20}} \cdot 10000^2}}{\sqrt{\left(10^{\frac{5}{20}}\right)^2 \cdot 10000^2 \cdot (20000 + 20000)^2 \cdot 2 \cdot \pi \cdot 400 - 20000^2 \cdot 20000^2 \cdot 2 \cdot \pi \cdot 400}} = 6.3nF$$

The Spice simulation for the calculated resistor and capacitor values is shown in Figure 13. The simulation shows exactly at 400Hz an attenuation of 1dB.

**Figure 13:**  
**Frequency Response Bass Boost**

**Frequency Response Bass Boost:** The diagram shows the Spice simulation result of the bass boost calculation example done in this chapter with  $C_1=6.2nF$ ,  $R_1=10k$ ,  $R_2=20k\Omega$  and  $R_3=20k\Omega$ .





**Parameter**

$V_{BAT}=1.5V$ ,  $T_A=25^{\circ}C$ ,  $R_1=1k\Omega$ ,  $R_2=1k\Omega$  unless otherwise specified

**Figure 14:**  
**Line Input Parameter**

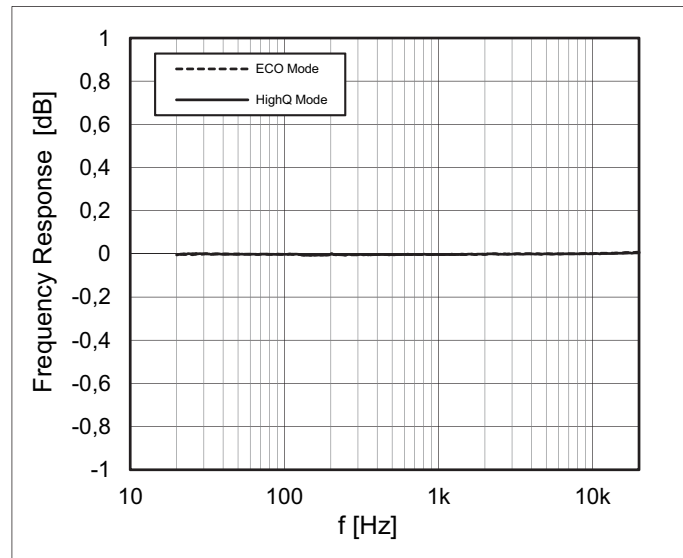
Symbol	Parameter	Conditions	Min	Typ	Max	Unit
$V_{LIN}$	Input Signal Level	Gain=0dB		$0.9 \cdot V_{BAT}$		$V_{PEAK}$
SNR	Signal to Noise Ratio	10k $\Omega$ load, Gain = 0dB, $V_{BAT}=1.8V$ , High Quality Mode		121		dB
		10k $\Omega$ load, Gain = 0dB, $V_{BAT}=1.5V$ High Quality Mode		119		dB
		10k $\Omega$ load, Gain = 0dB, $V_{BAT}=1.0V$ High Quality Mode		115		dB
		10k $\Omega$ load, Gain = 0dB, $V_{BAT}=1.8V$ , ECO Mode		115		dB
		10k $\Omega$ load, Gain = 0dB, $V_{BAT}=1.5V$ , ECO Mode		113		dB
		10k $\Omega$ load, Gain = 0dB, $V_{BAT}=1.0V$ , ECO Mode		109		dB
$I_{LIN}$	Block Current Consumption	No load, Gain = 0dB, $V_{BAT}=1.8V$ , High Quality Mode		1.4		mA
		No load, Gain = 0dB, $V_{BAT}=1.5V$ , High Quality Mode		1.3		mA
		No load, Gain = 0dB, $V_{BAT}=1.0V$ , High Quality Mode		1.1		mA
		No load, Gain = 0dB, $V_{BAT}=1.8V$ , ECO Mode		1.1		mA
		No load, Gain = 0dB, $V_{BAT}=1.5V$ , ECO Mode		950		$\mu A$
		No load, Gain = 0dB, $V_{BAT}=1.0V$ , ECO Mode		700		$\mu A$
$V_{NOISE-A}$	Input Referred Noise Floor A-Weighted	High Quality Mode		900		nV
		ECO Mode		1.9		$\mu V$

Symbol	Parameter	Conditions	Min	Typ	Max	Unit
$V_{\text{offset}}$	DC offset voltage				2	mV
$C_L$	Load Capacitance				100	pF
$R_L$	Load Impedance		1			k $\Omega$

**Line Input Parameter:** This table shows the detailed electrical characteristics of the line input gain stage like maximum input signal level and audio parameter like SNR.

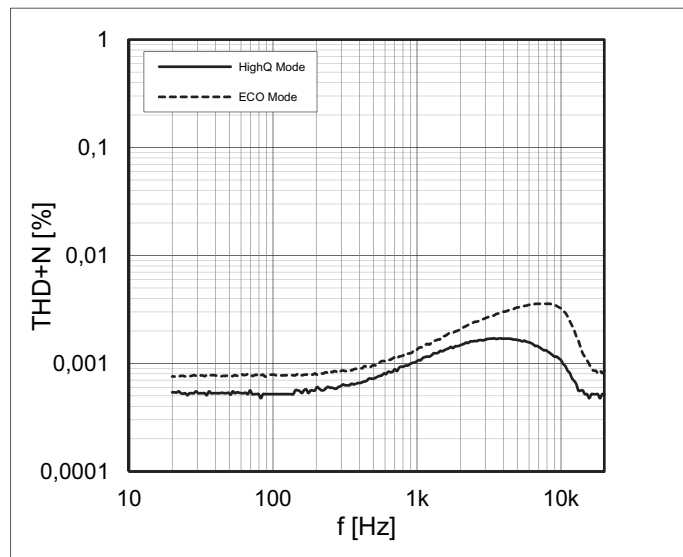
**Figure 15:**  
Line Input Frequency Response

**Line Input Frequency Response:** The diagram shows the frequency response measurement of the line input amplifier with 0dB gain and  $V_{\text{BAT}}=1.5\text{V}$ ,  $R_1=10\text{k}\Omega$  and  $R_2=10\text{k}\Omega$ . The solid line represents the default high quality mode and the dashed line shows the frequency response in ECO mode.



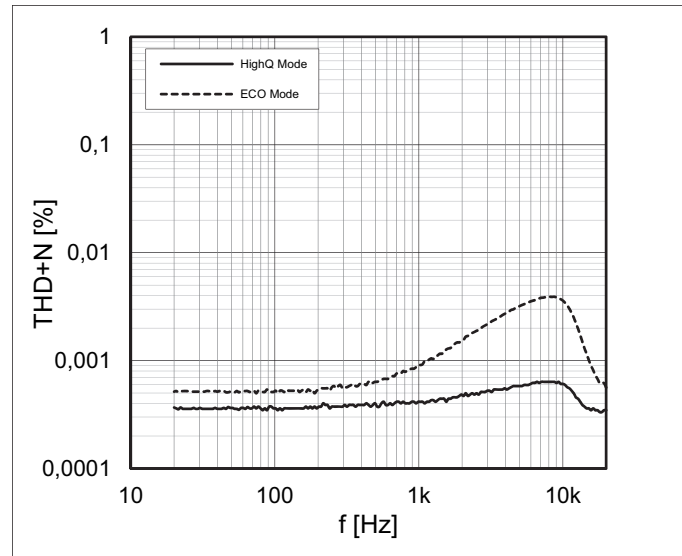
**Figure 16:**  
Line Input THD+N vs. Frequency  $V_{\text{BAT}} = 1\text{V}$

**Line Input THD+N vs. Frequency:** The diagram shows the A-weighted THD+N measurement of the line input amplifier with 0dB gain and  $V_{\text{BAT}}=1.0\text{V}$ ,  $R_1=10\text{k}\Omega$  and  $R_2=10\text{k}\Omega$ . The solid line represents the default high quality mode and the dashed line shows the frequency response in ECO mode.



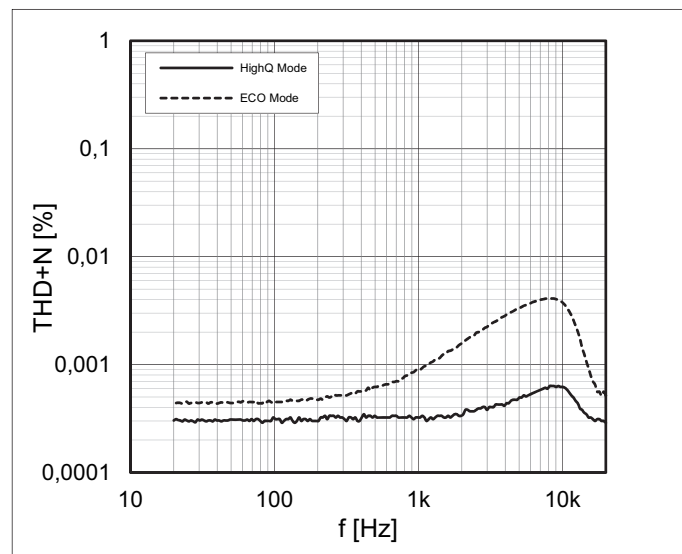
**Line Input THD+N vs. Frequency:** The diagram shows the A-weighted THD+N measurement of the line input amplifier with 0dB gain and  $V_{BAT}=1.5V$ ,  $R_1=10k\Omega$  and  $R_2=10k\Omega$ . The solid line represents the default high quality mode and the dashed line shows the frequency response in ECO mode.

**Figure 17:**  
Line Input THD+N vs. Frequency  $V_{BAT} = 1.5V$



**Line Input THD+N vs. Frequency:** The diagram shows the A-weighted THD+N measurement of the line input amplifier with 0dB gain and  $V_{BAT}=1.8V$ ,  $R_1=10k\Omega$  and  $R_2=10k\Omega$ . The solid line represents the default high quality mode and the dashed line shows the frequency response in ECO mode.

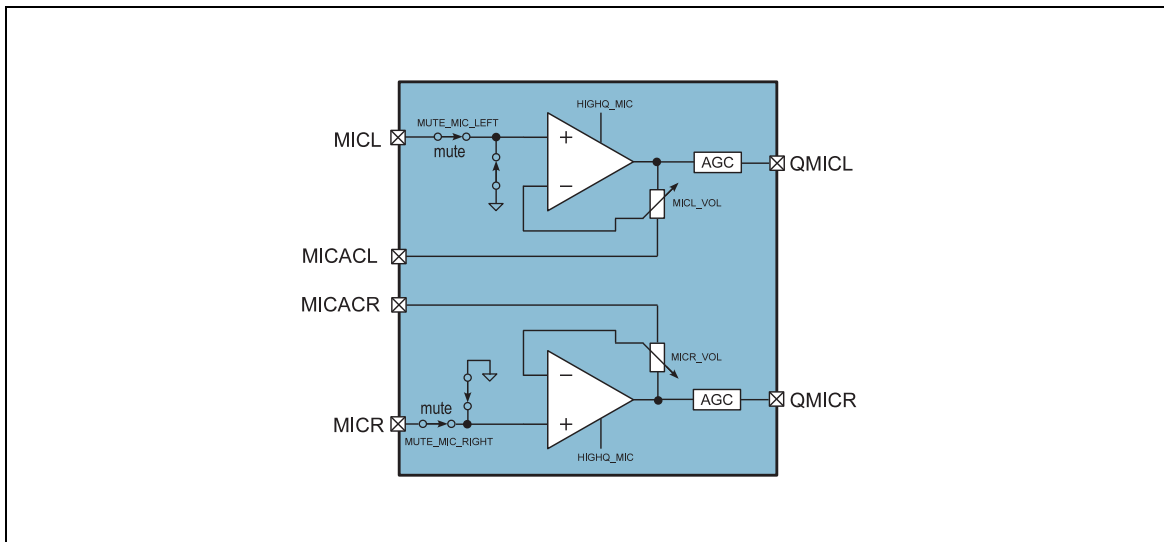
**Figure 18:**  
Line Input THD+N vs. Frequency  $V_{BAT} = 1.8V$



### Microphone Inputs

The AS3415/35 offers two low noise microphone inputs with full digital control and a dedicated DC offset cancellation pin for each microphone input. In total each gain stage offers up to 63 gain steps of 0.5dB resulting in a gain range from 0dB to +31dB. The microphone gain is stored digitally during production, in OTP on the ANC chipset. Besides the standard microphone gain register for left and right channel, the chip also features two additional microphone gain registers for monitor mode. Thus, in monitor mode, a completely different gain setting for left and right microphone can be selected to implement voice filter functions to amplify the speech band for better intelligibility.

**Figure 19:**  
Stereo Microphone Input



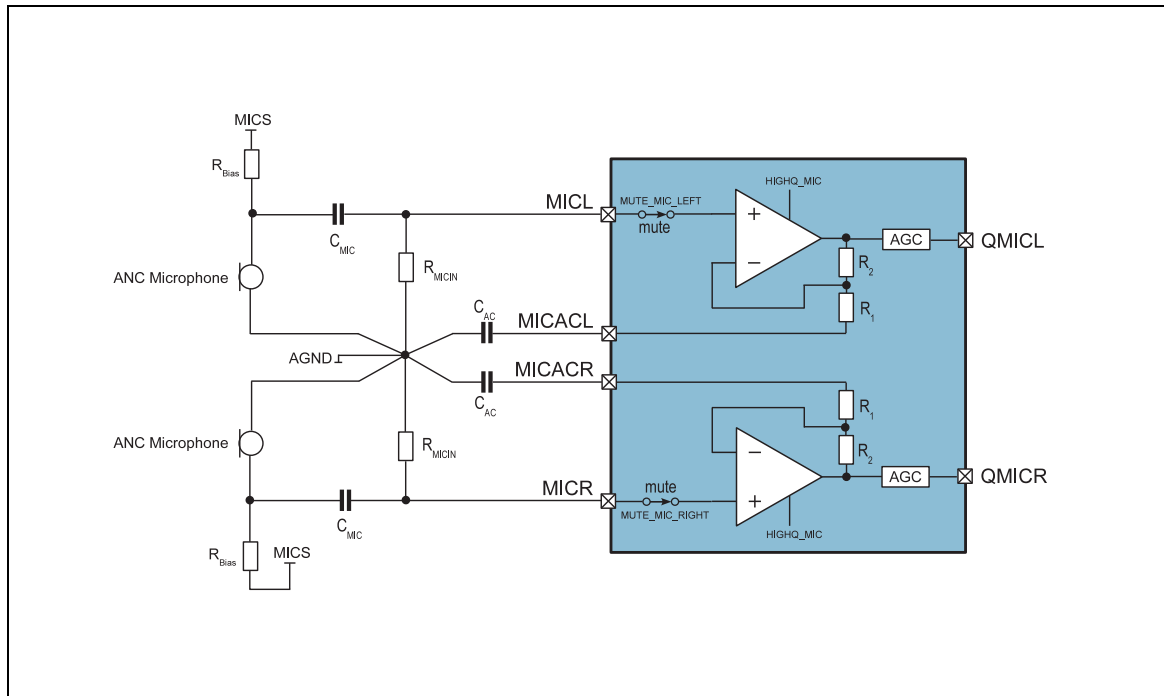
**Stereo Microphone Input:** This diagram shows the internal structure of the stereo microphone preamplifier including the mute switch as well as the automatic gain control (AGC).

To avoid unwanted start-up pop noise, a soft-start function is implemented for an automatic gain ramping of the device. In case of an overload condition on the microphone input (e.g. high sound pressure level), an internal state machine reduces the microphone gain automatically. For some designs it might be useful to switch off this feature. Especially in feed-back systems very often infrasound can cause an overload condition of the microphone preamplifier which results in low frequency noise which can be avoided by disabling the AGC.

### Input Capacitor Selection

The microphone preamplifier needs a bias resistor ( $R_{Bias}$ ) per channel as well as DC blocking capacitors ( $C_{MIC}$ ). The capacitors  $C_{AC}$  are DC blocking capacitors to avoid DC amplification of the non-inverting microphone preamplifier. This capacitor has an influence on the frequency response because the internal feedback resistors create a high pass filter. The typical application circuit is shown in [Figure 20](#) with all necessary components.

**Figure 20:**  
Microphone Capacitor Selection Circuit



**Microphone Capacitor Selection Circuit:** This diagram shows a typical microphone application circuit with all necessary components to operate the amplifier.

The corner frequency of this high pass filter is defined with the capacitor  $C_{AC}$  and the gain of the headphone amplifier.

[Figure 21](#) shows an overview of typical cut-off frequencies with different microphone gain settings.

**Figure 21:**  
Microphone Cut-Off Frequency Overview

Microphone Gain	$R_1$	$R_2$	$F_{cut-off}$
0dB	22.2k $\Omega$	0 $\Omega$	1.7Hz
3dB	15716 $\Omega$	6484 $\Omega$	1.9Hz
6dB	11126 $\Omega$	11074 $\Omega$	2.2Hz

Microphone Gain	R <sub>1</sub>	R <sub>2</sub>	F <sub>cut-off</sub>
9dB	7877Ω	14323Ω	2.7Hz
12dB	5576Ω	16623Ω	3.5Hz
15dB	3948Ω	18252Ω	4.5Hz
18dB	2795Ω	19405Ω	6.1Hz
21dB	1979Ω	20221Ω	8.4Hz
24dB	1400Ω	20800Ω	11.5Hz
27dB	992Ω	21208Ω	16.3Hz
30dB	702Ω	21498Ω	22.7Hz

**Microphone Cut-Off frequency overview:** This table shows an overview of the different cut-off frequencies with C<sub>AC</sub>=10μF, C<sub>MIC</sub>= 2.2μF and R<sub>MICIN</sub>=22kΩ of the microphone preamplifier.

In the cut-off frequency overview, capacitor C<sub>AC</sub> was defined as 10μF which results in a rather low cut-off frequency for best ANC filter design. If a different capacitor value is desired in the application, the following formula defines the transfer function of the high pass circuit of the microphone preamplifier:

$$|A| = \frac{\sqrt{4 \cdot C_{AC}^2 \cdot f^2 \cdot (R_1 + R_2)^2 \cdot \pi^2 + 1}}{\sqrt{4 \cdot C_{AC}^2 \cdot f^2 \cdot R_1^2 \cdot \pi^2 + 1}}$$

**Filter Simulations:**

It is important when doing the ANC filter simulations to include all microphone filter components to incorporate the gain and phase influence of these components.

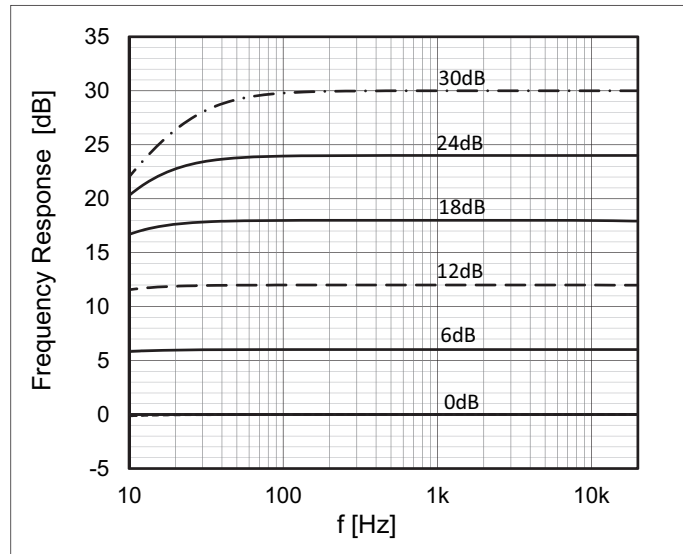
The simplified transfer function does not include the high pass filter defined by C<sub>MIC</sub> and R<sub>MICIN</sub>. With the recommended values of 2.2μF for C<sub>MIC</sub> and 22kΩ for R<sub>MICIN</sub> this filter can be neglected because of the very low cut-off frequency of 1.5Hz. The cut-off frequency for this filter can be calculated with the following formula:

$$f_{cut-off} = \frac{1}{2 \cdot \pi \cdot R_{MICIN} \cdot C_{MIC}}$$

The simulated frequency response for the microphone preamplifier with the recommended component values is shown in Figure 22.

**Figure 22:**  
**Simulated Microphone Frequency Response**

**Microphone Frequency Response:** This graph shows the frequency response of the microphone preamplifier with different gain settings with  $C_{AC}=10\mu\text{F}$ ,  $C_{MIC}=2.2\mu\text{F}$  and  $R_{MICIN}=22\text{k}\Omega$ .



In application with PCB space limitations it is also possible to remove the capacitors  $C_{AC}$  and connect MICACL and MICACR pins directly to  $A_{GND}$ . In this configuration AC coupling of the QMICR and QMICL signals is recommended.

**Parameter**

$V_{BAT}=1.5V$ ,  $T_A=25^{\circ}C$ ,  $C_{AC}=10\mu F$ ,  $C_{MIC}=2.2\mu F$  and  $R_{MICIN}=22k\Omega$  unless otherwise specified.

**Figure 23:**  
**Microphone Parameter**

Symbol	Parameter	Conditions	Min	Typ	Max	Unit
$V_{MICIN0}$	Input Signal Level	$A_{MIC} = 10dB$		80		$mV_{RMS}$
$V_{MICIN1}$		$A_{MIC} = 20dB$		40		$mV_{RMS}$
$V_{MICIN2}$		$A_{MIC} = 30dB$		10		$mV_{RMS}$
SNR	Signal to Noise Ratio	0dB gain, High quality mode, AGC off		115		dB
		10dB gain, High quality mode, AGC off		108		dB
		20dB gain, High quality mode, AGC off		98		dB
		0dB gain, ECO mode, AGC off		113		dB
		10dB gain, ECO mode, AGC off		105		dB
		20dB gain, ECO mode, AGC off		96		dB
$V_{NOISE-A}$	A-Weighted Output Noise Floor	0dB gain, 20Hz – 20kHz bandwidth, High quality		1.3		$\mu V$
		10dB gain, 20Hz – 20kHz bandwidth, High quality		4.2		$\mu V$
		20dB gain, 20Hz – 20kHz bandwidth, High quality		13		$\mu V$
		0dB gain, 20Hz – 20kHz bandwidth, ECO mode		1.6		$\mu V$
		10dB gain, 20Hz – 20kHz bandwidth, ECO mode		5.5		$\mu V$
		20dB gain, 20Hz – 20kHz bandwidth, ECO mode		16.5		$\mu V$
$I_{MIC}$	Block Current Consumption	No load, normal mode		1.4		mA
		No load, ECO mode		1		mA
$A_{MIC}$	Programmable Gain	Discrete logarithmic gain steps	0		+31	dB
	Gain Step Size			0.5		dB
	Gain Step Precision				0.2	dB
$\Delta A_{MIC}$	Gain Ramp Rate	$V_{PEAK}$ related to $V_{BAT}$ or $V_{NEG}$		1		ms/step

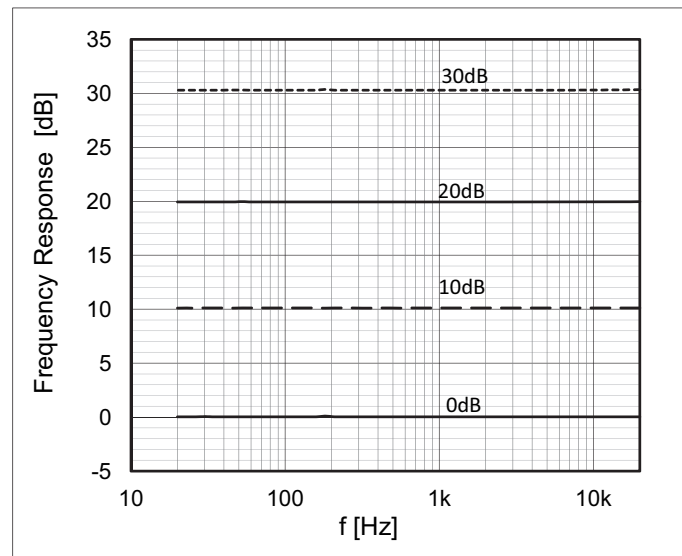


Symbol	Parameter	Conditions	Min	Typ	Max	Unit
$V_{\text{ATTACK}}$	Limiter Activation Level	$V_{\text{PEAK}}$ related to $V_{\text{BAT}}$ or $V_{\text{NEG}}$ 64 @ 0.5dB		0.67		1
$V_{\text{DECAY}}$	Limiter Release Level			0.4		1
$A_{\text{MICLIMIT}}$	Limiter Minimum Gain			0		dB
$t_{\text{ATTACK}}$	Limiter Attack Time			5		$\mu\text{s}/\text{step}$
$t_{\text{DECAY}}$	Limiter Decay Time			1		$\text{ms}/\text{step}$

**Microphone Parameter:** This table shows the detailed electrical characteristics of the microphone preamplifier gain stage.

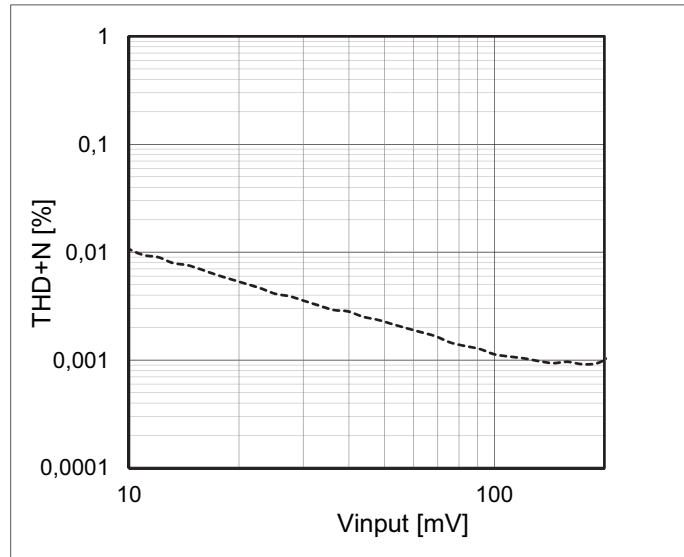
**Figure 24:**  
**Microphone Frequency Response**

**Microphone Frequency Response:** This graph shows the frequency response of the microphone preamplifier with different gain settings without  $R_{\text{MICIN}}$  resistor,  $C_{\text{AC}}$  capacitor (MICACx pin connected to  $A_{\text{GND}}$ ) and  $C_{\text{MIC}}=2.2\mu\text{F}$ .



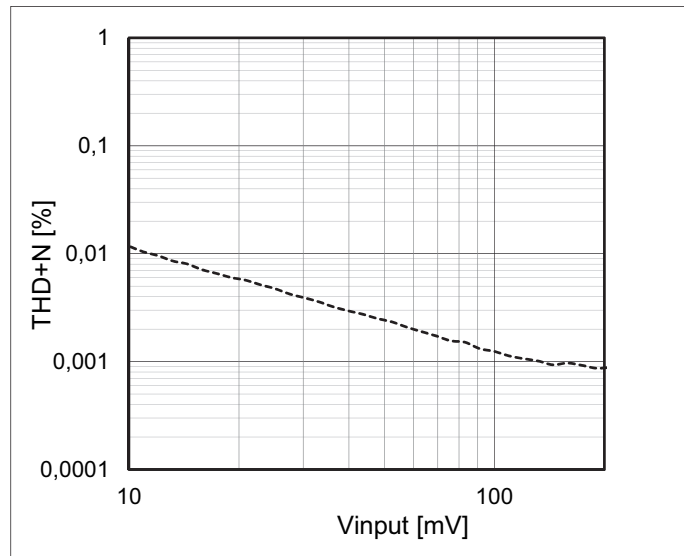
**Figure 25:**  
Microphone THD+N vs.  $V_{input}$

**Microphone THD+N vs.  $V_{input}$ :** This graph shows the A-weighted THD+N versus input voltage of the microphone preamplifier with 0dB gain and  $V_{BAT}=1.5V$ .



**Figure 26:**  
Microphone THD+N vs.  $V_{input}$  ECO Mode

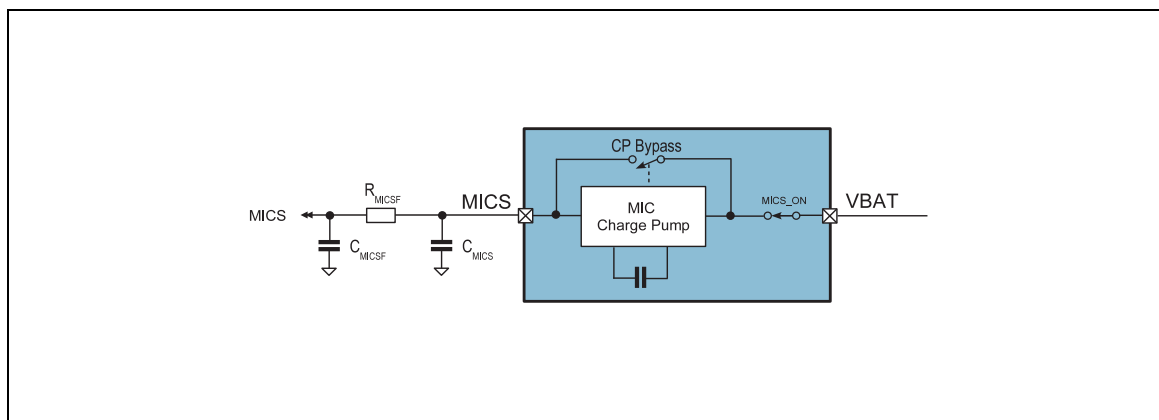
**Microphone THD+N vs.  $V_{input}$ :** This graph shows the A-weighted THD+N versus input voltage of the microphone preamplifier with 0dB gain and  $V_{BAT}=1.5V$ . The amplifier runs in ECO mode.



## Microphone Supply

The AS3415/35 features an integrated microphone supply charge pump. This charge pump provides the proper microphone supply voltage for a single cell battery supply (1.5V). Since AAA batteries can operate down to 1.0V, the direct battery voltage cannot be used for microphone supply. This would reduce the sensitivity of the microphone dramatically.

**Figure 27:**  
Microphone Supply



**Microphone Supply:** This block diagram shows how the integrated microphone supply works including all options for configuration like off mode and bypass mode.

**Bypass Switch Operation:**  
When using the integrated music bypass switch you must not switch off the microphone supply!

Therefore the integrated charge pump generates a microphone supply voltage which is typically 2.7V. In case the ANC chipset is supplied with a fixed voltage e.g. 1.8V the integrated charge pump supports a mode which allows the designer to directly connect the microphone supply pin to the chip supply voltage. This can help to reduce total power consumption of the system. A third mode is available to switch off the microphone supply. This use case can occur if the headset is operated without ANC function. Please mind that you must not switch off the microphone supply at all if the integrated music bypass function is in use. The microphone supply voltage is also used to switch off the integrated music bypass switch if the AS3415/35 is in active mode.

**Parameter**

$V_{BAT}=1.5V$ ,  $T_A=25^{\circ}C$ ,  $C_{MICS} = 10\mu F$ ,  $C_{MICSF} = 22\mu F$  and  $R_{MICSF} = 220\Omega$  unless otherwise specified.

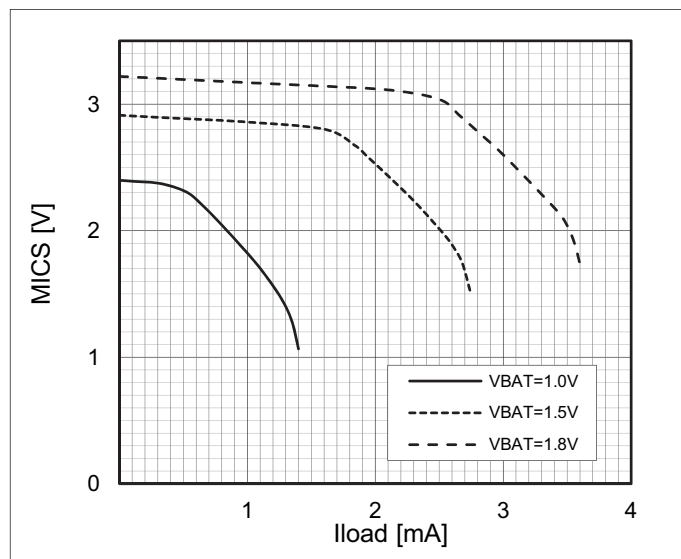
**Figure 28:**  
Microphone Supply Parameter

Symbol	Parameter	Conditions	Min	Typ	Max	Unit
$V_{MICS}$	Microphone Supply Voltage	$V_{BAT} = 1.8V$ , no load		3.2		V
		$V_{BAT} = 1.5V$ , no load		2.9		V
		$V_{BAT} = 1.0V$ , no load		2.4		V
$I_{MICS}$	Block Current Consumption	$V_{BAT} = 1.8V$ , no load		500		$\mu A$
		$V_{BAT} = 1.5V$ , no load		410		$\mu A$
		$V_{BAT} = 1.0V$ , no load		300		$\mu A$
$I_{typ.}$	Typical current consumption	500 $\mu A$ load		1.9		mA
$V_{Noise-A}$	Microphone Supply Noise	A-Weighted, 500 $\mu A$ load		1.1		$\mu V$
		A-Weighted, 500 $\mu A$ load, only $C_{MICS}$ assembled		5,3		$\mu V$

**Microphone Supply Parameter:** This table shows the detailed electrical characteristics of the microphone supply.

**Figure 29:**  
Microphone Supply Load Characteristic

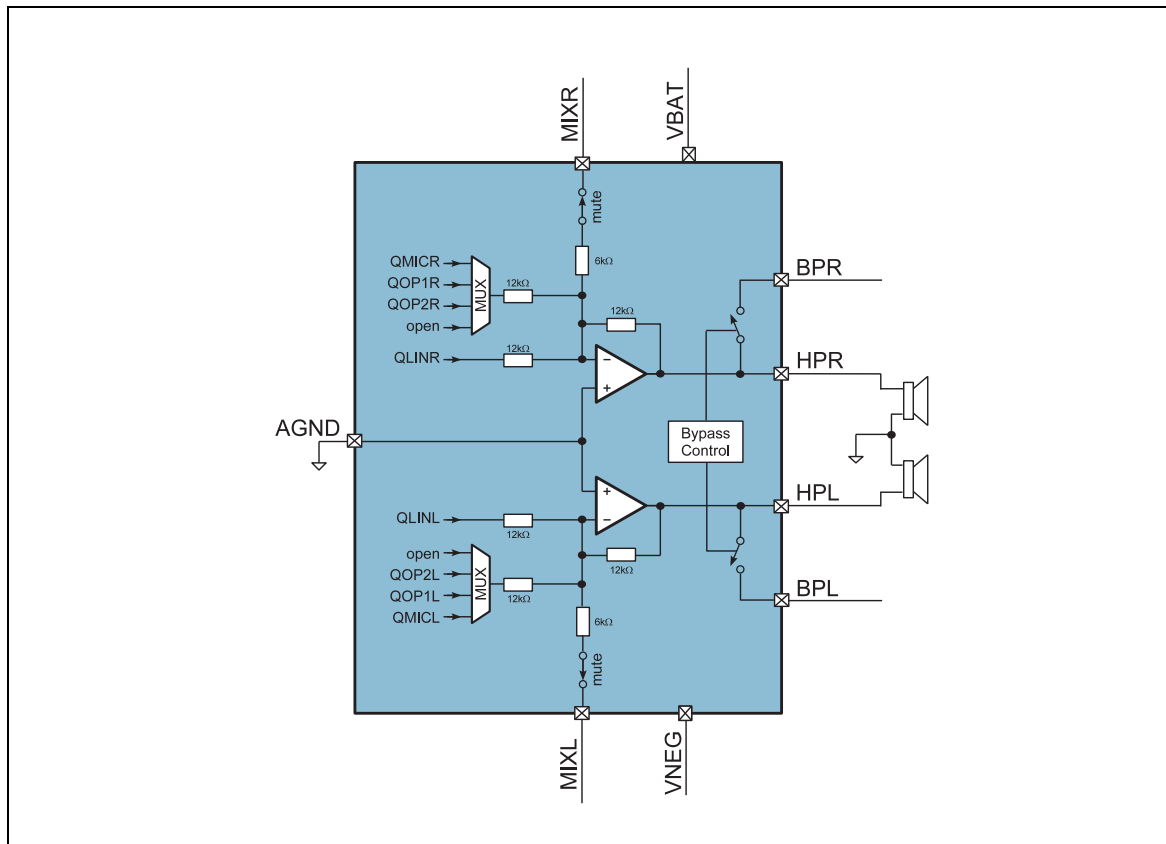
**Microphone Supply Load Characteristic:** This diagram shows output voltage of the microphone supply vs. output load on the microphone supply.



## Headphone Amplifier

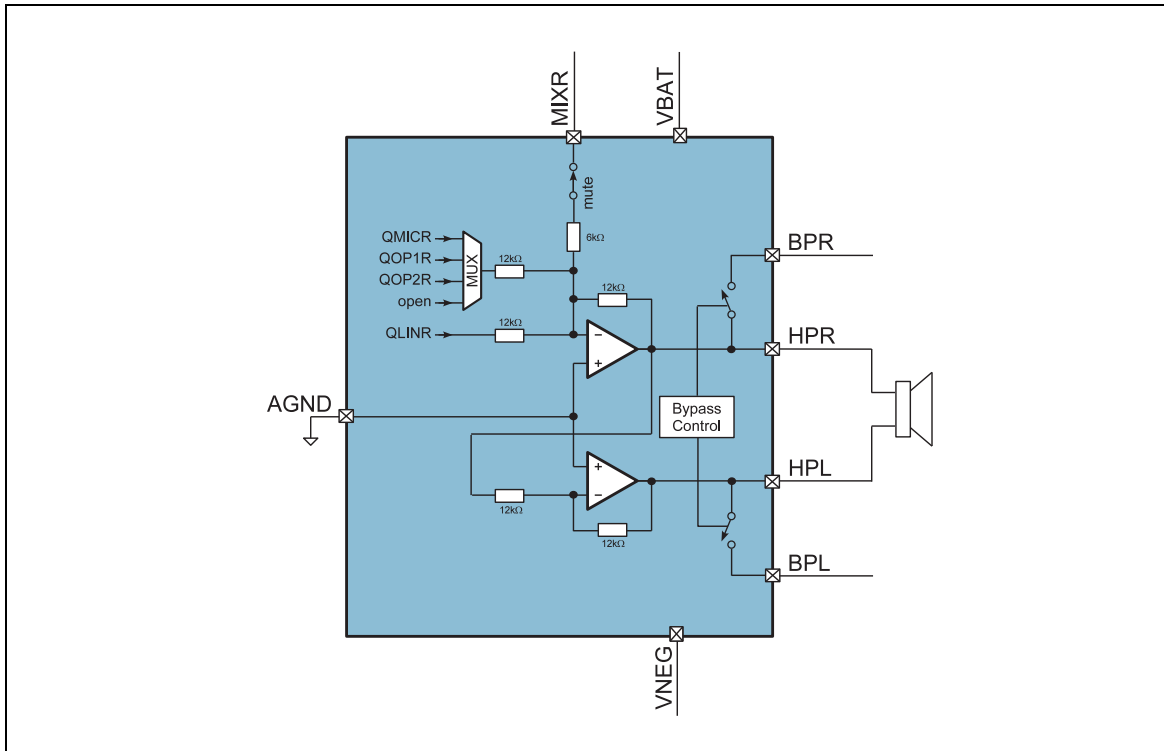
The headphone amplifier is a true ground output using  $V_{NEG}$  as negative supply. It is designed to provide the audio signal with  $2 \times 34\text{mW} @ 32\Omega$ . For higher output requirements, the headphone amplifier is also capable of operating in bridged mode. In this mode the left output is carrying the inverted signal of the right output shown in Figure 30. With a  $V_{BAT}$  voltage of 1.8V, a maximum output power of 120mW can be achieved in this mode. This is especially required for over ear headsets with hybrid ANC topology or any other headset with high output power requirements. The amplifier itself features various input sources. The line input signal is directly connected to the headphone amplifier. In case the application requires more complex music filtering the line input connection can be disabled and the mixer inputs MIXR and MIXL can be used to feed the music signal to the headphone amplifier. The mixer inputs have a  $6\text{k}\Omega$  input resistance which gives a typical gain of 6dB with the internal  $12\text{k}\Omega$  feedback resistor of the headphone amplifier. The input multiplexer supports four different input signals which can be configured according to complexity of the ANC filter.

**Figure 30:**  
Headphone Amplifier Single Ended



**Headphone Amplifier:** This figure shows the block diagram of the headphone amplifier including the integrated music bypass switches as well as the summation input of the amplifier in single ended configuration.

**Figure 31:**  
**Headphone Amplifier Differential**



**Headphone Amplifier:** This figure shows the block diagram of the headphone amplifier including the integrated music bypass switches as well as the summation input of the amplifier in differential output mode.

**Parameter**

$V_{BAT}=1.5V$ ,  $T_A= 25^{\circ}C$ , unless otherwise specified.

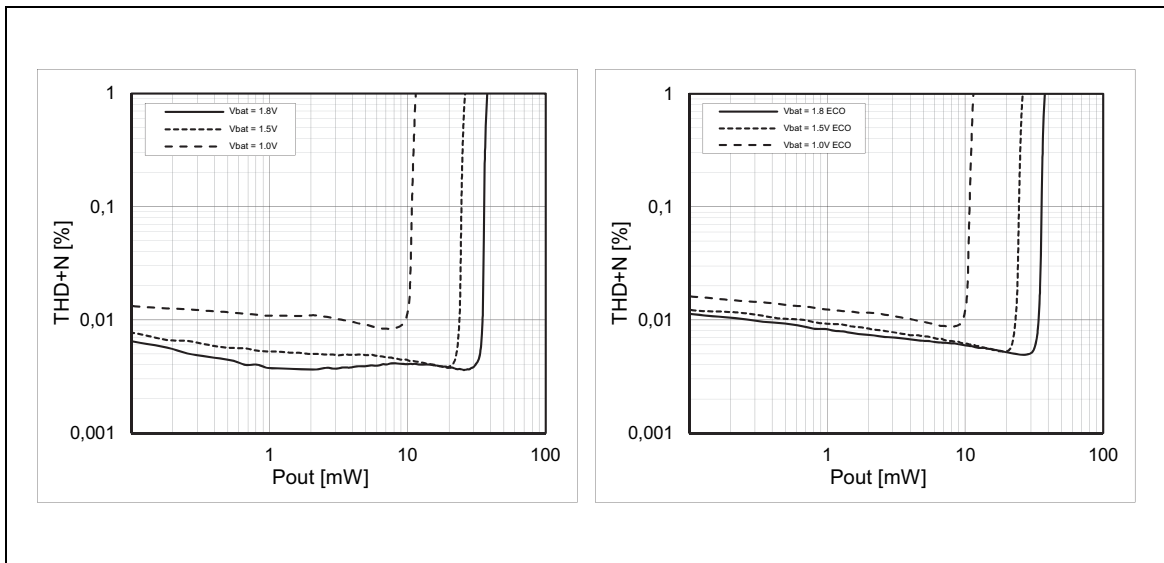
**Figure 32:**  
**Headphone Amplifier Parameter**

Symbol	Parameter	Conditions	Min	Typ	Max	Unit
$R_{L\_HP}$	Load Impedance	Stereo mode	16	32		$\Omega$
$C_{L\_HP}$	Load Capacitance	Stereo mode			100	pF
$P_{HP}$	Nominal Output Power Stereo Mode	$V_{BAT} = 1.8V$ , 32 $\Omega$ load		35		mW
		$V_{BAT} = 1.5V$ , 32 $\Omega$ load		24		mW
		$V_{BAT} = 1.0V$ , 32 $\Omega$ load		10		mW
		$V_{BAT} = 1.8V$ , 16 $\Omega$ load		60		mW
		$V_{BAT} = 1.5V$ , 16 $\Omega$ load		40		mW
		$V_{BAT} = 1.0V$ , 16 $\Omega$ load		16		mW

Symbol	Parameter	Conditions	Min	Typ	Max	Unit
P <sub>HP_BRIDGE</sub>	Nominal Output Power Differential Mode	V <sub>BAT</sub> = 1.8V, 32Ω load		110		mW
		V <sub>BAT</sub> = 1.5V, 32Ω load		75		mW
		V <sub>BAT</sub> = 1.0V, 32Ω load		30		mW
		V <sub>BAT</sub> = 1.8V, 16Ω load		150		mW
		V <sub>BAT</sub> = 1.5V, 16Ω load		100		mW
		V <sub>BAT</sub> = 1.0V, 16Ω load		35		mW
I <sub>HPH</sub>	Supply current	Normal mode		2.4		mA
		ECO mode		2		mA
P <sub>SRRHP</sub>	Power Supply Rejection Ratio	1 kHz		100		dB
SNR	Signal to Noise Ration	High Quality Mode, 0dB gain via MIXx input pin, 32Ω load		112		dB
		ECO Mode, 0dB gain via MIXx input pin, 32Ω load		110		dB
Channel Separation		32Ω load		-87		dB
V <sub>Noise-A</sub>	Output Noise Floor A-Weighted	High Quality Mode, 32Ω load, HP_MUX = nc, Mixer input disabled, 0dB gain		2.8		μV
		ECO Mode, 32Ω load, HP_MUX = nc, Mixer input disabled, 0dB gain		3.3		μV

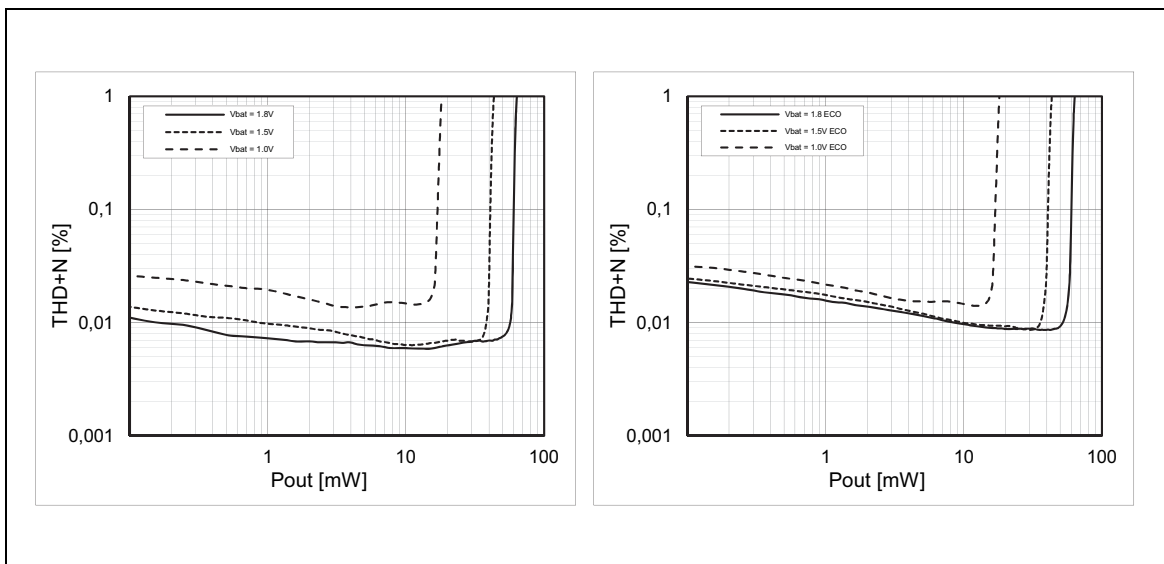
**Headphone Parameter:** This table shows the detailed electrical characteristics of the headphone amplifier like output power, SNR and channel separation.

**Figure 33:**  
Headphone THD+N vs. Output Power 32Ω Stereo



**Headphone THD+N vs. Output Power:** These figures shows the THD+N measurements of the headphone amplifier with different supply voltages in normal mode and ECO mode. The selected amplifier gain is 0dB with 32Ω load.

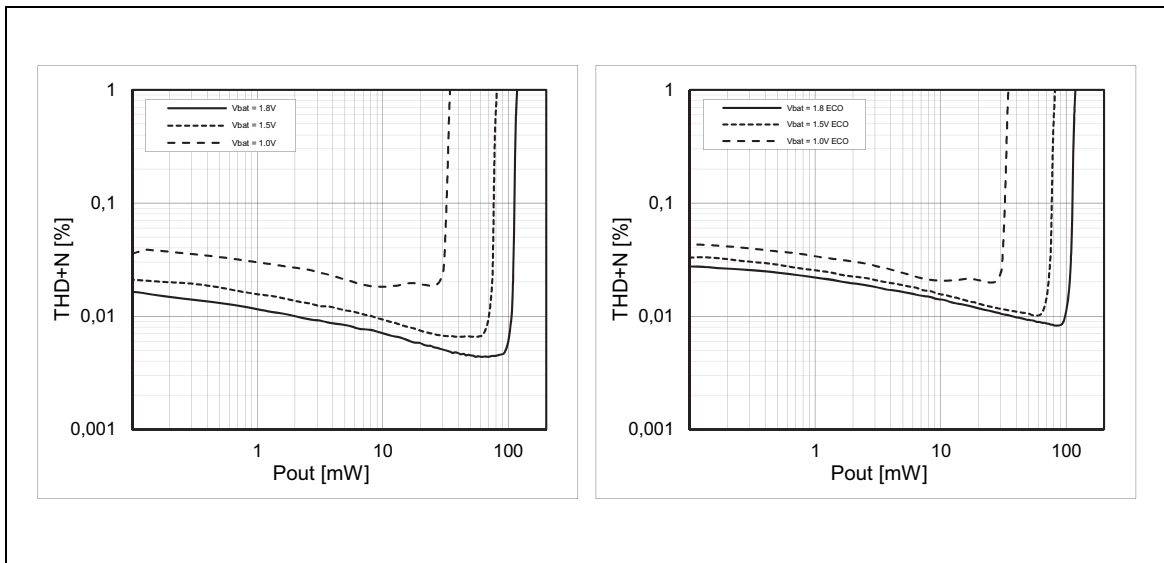
**Figure 34:**  
Headphone THD+N vs. Output Power 16Ω Stereo



**Headphone THD+N vs. Output Power:** These figures shows the THD+N measurements of the headphone amplifier with different supply voltages in normal mode and ECO mode. The selected amplifier gain is 0dB with 16Ω load.

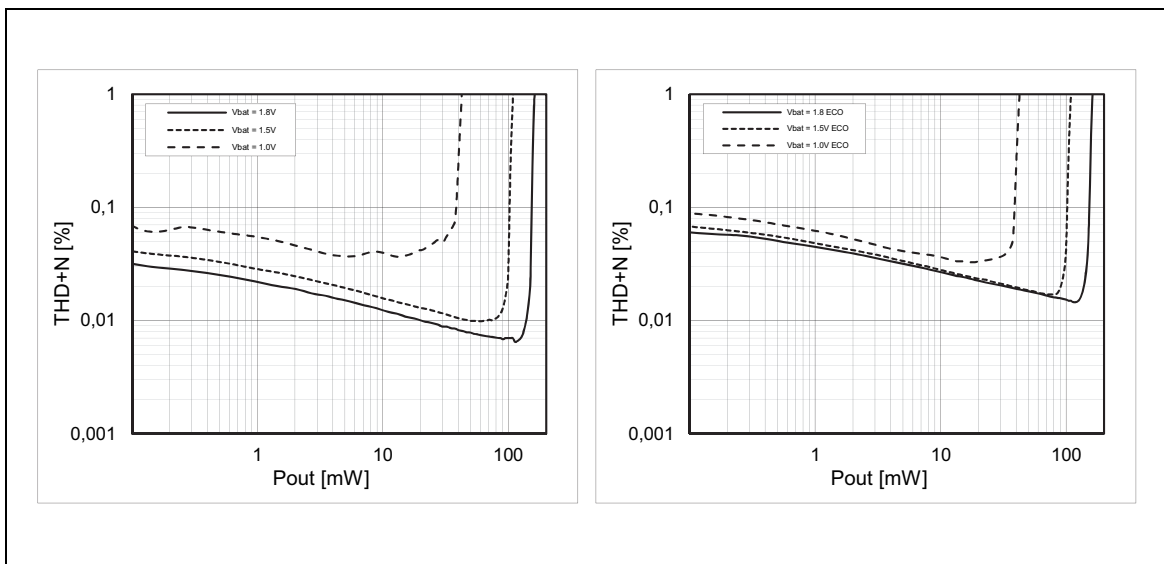


**Figure 35:**  
Headphone THD+N vs. Output Power 32Ω Mono



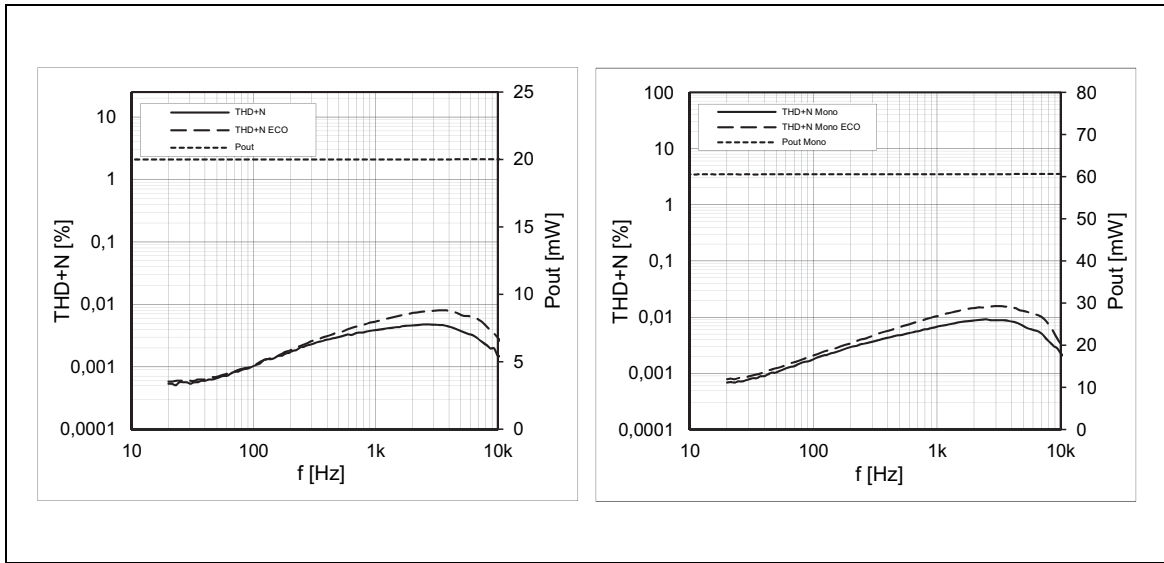
**Headphone THD+N vs. Output Power:** These figures show the A-weighted THD+N measurements of the headphone amplifier with different supply voltages in normal mode and ECO mode. The selected amplifier gain is 0dB with 32Ω load in mono configuration.

**Figure 36:**  
Headphone THD+N vs. Output Power 16Ω Mono



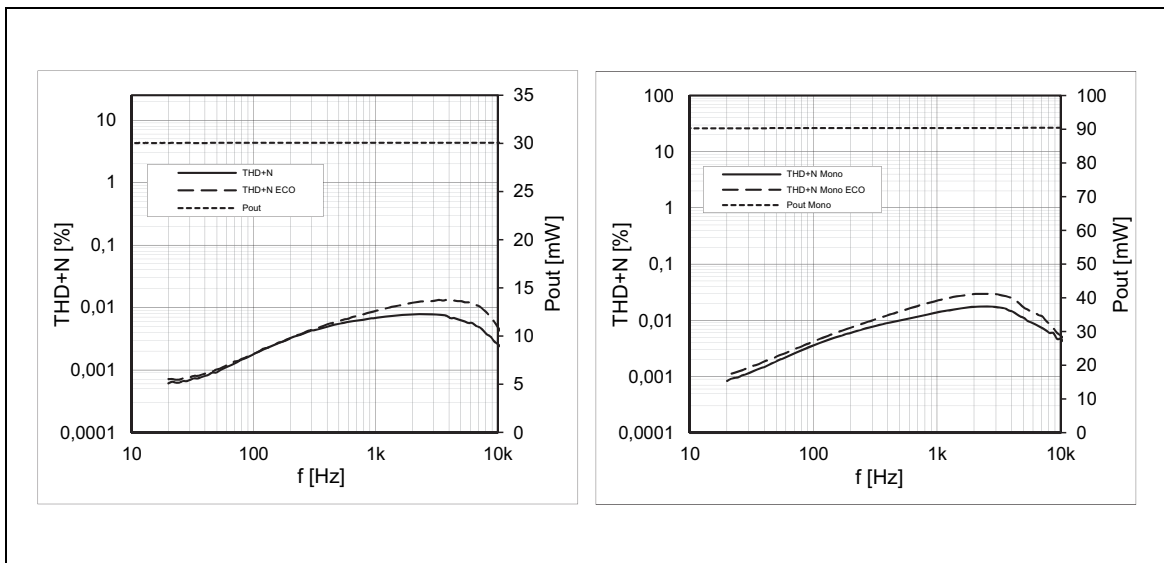
**Headphone THD+N vs. Output Power:** These figures show the A-weighted THD+N measurements of the headphone amplifier with different supply voltages in normal mode and ECO mode. The selected amplifier gain is 0dB with 16Ω load in mono configuration.

**Figure 37:**  
Headphone THD+N vs. Frequency 32Ω



**Headphone THD+N vs. Frequency:** These figures shows the A-weighted THD+N measurements over frequency in stereo and mono differential mode. The amplifier gain is 0dB and the load in both modes is 32Ω.

**Figure 38:**  
Headphone THD+N vs. Frequency 16Ω



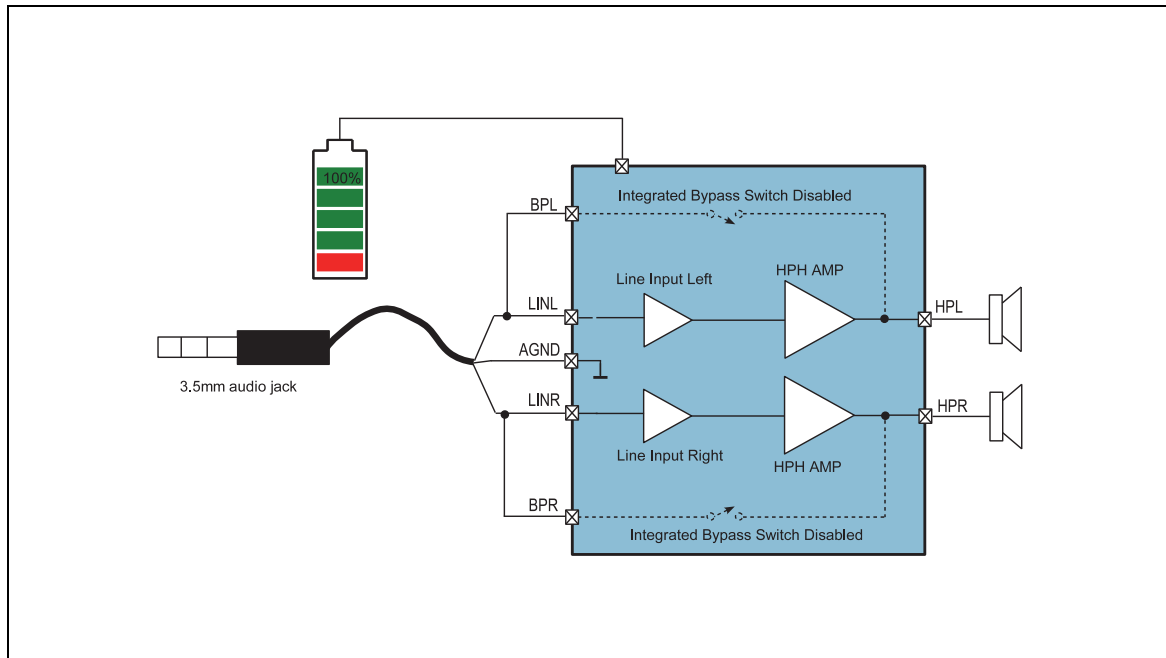
**Headphone THD+N vs. Frequency:** These figures shows the A-weighted THD+N measurements over frequency in stereo and mono differential mode. The amplifier gain is 0dB and the load in both modes is 16Ω.

## Integrated Music Bypass Switch

If the AS3415/35 is switched off the device features a unique feature which is integrated bypass switches. These switches can be used in place of a mechanical switch to bypass the ANC chipset in off mode or if the headset runs out of battery.

Figure 39 shows the basic music playback path of the AS3415/35 with a full battery. In this mode the line input amplifier is enabled as well as the headphone amplifier. The integrated bypass switches are disabled if the device is powered.

**Figure 39:**  
**Bypass Mode Inactive**

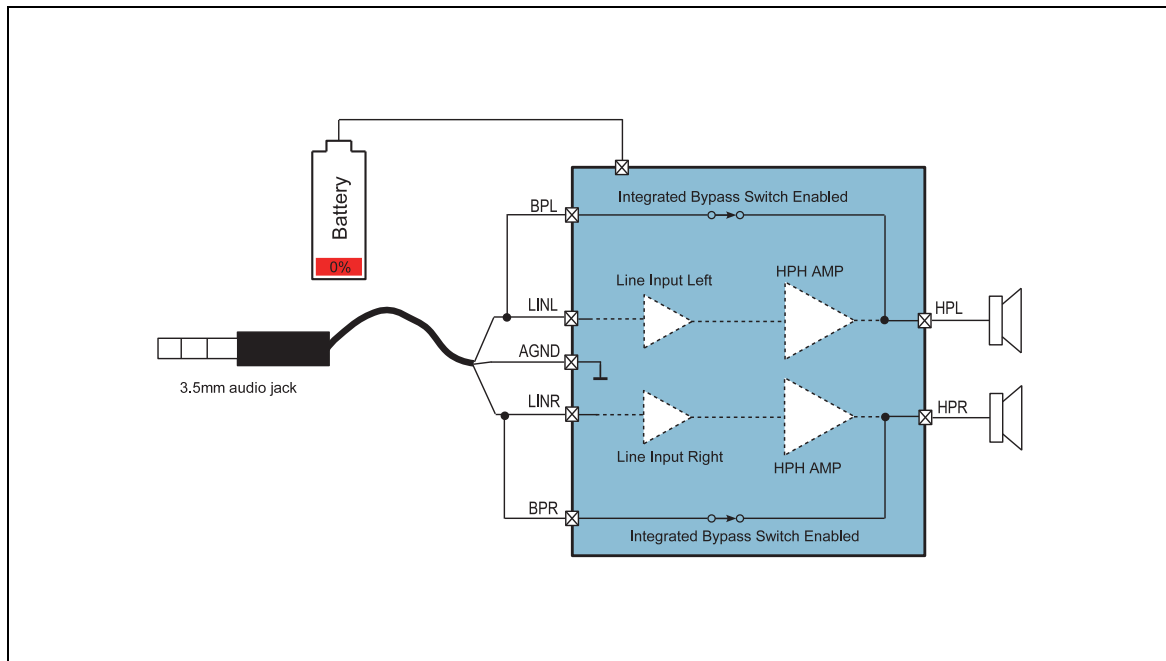


**Bypass Mode Inactive:** This block diagram shows the general music playback path of AS3515/35 with the integrated music bypass switches disabled.

**Integrated Bypass Switch:**  
The integrated bypass switch works even without any battery connected to the device. It helps to reduce BOM costs and PCB area. Furthermore it facilitates new industrial designs to ANC solutions.

Figure 40 shows the AS3415/35 in off mode with an empty battery. This is basically the same use case as no battery at all. In this mode the internal bypass switch becomes active. The line input amplifier and the headphone amplifier are not powered because the headset has run out of battery and the bypass switch is active. Thus the music signal coming from the 3.5mm audio jack is routed through the ANC chipset without any power source connected to the device.

**Figure 40:**  
Bypass Mode Active



**Bypass Mode Inactive:** This block diagram shows the general music playback path of AS3515/35 with the integrated music bypass switches enabled. The device has no supply any more but music playback is still possible via the internal bypass switches.

**Parameter**

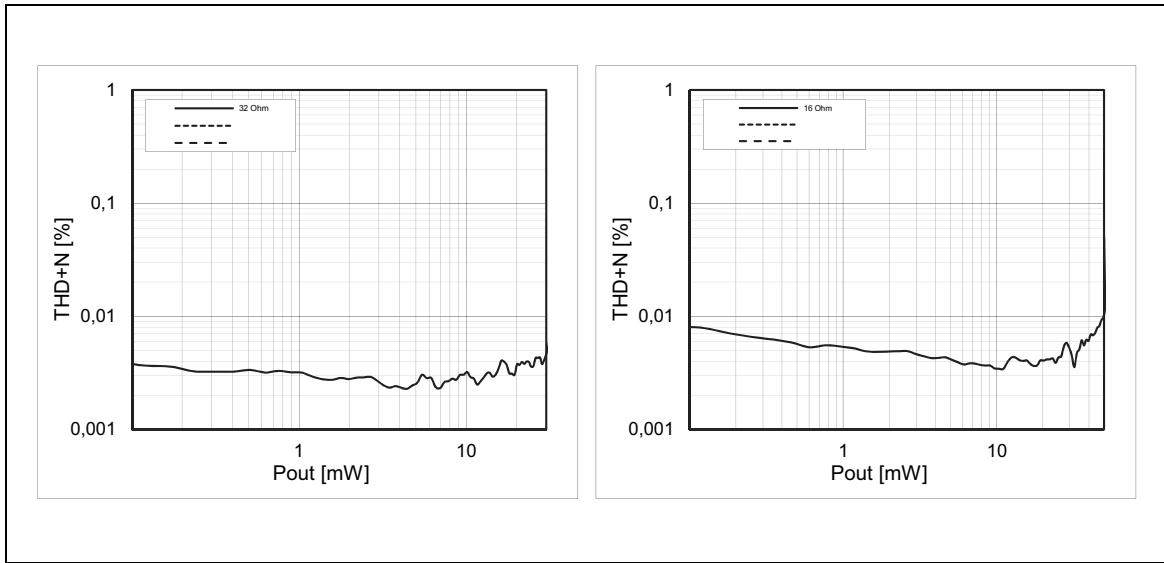
$V_{BAT}=1.5V, T_A=25^{\circ}C$ , unless otherwise specified.

**Figure 41:**  
Bypass Switch Parameter

Symbol	Parameter	Conditions	Min	Typ	Max	Unit
$R_{Switch}$	Impedance	Power down		1.2		$\Omega$
THD	Total Harmonic Distortion	0dBV input signal, 32 $\Omega$ load		-90		dB
		0dBV input signal, 16 $\Omega$ load		-80		dB

**Bypass Switch Parameter:** This table shows the detailed electrical characteristics of the integrated bypass switch.

**Figure 42:**  
**Bypass THD+N vs. Output Power**

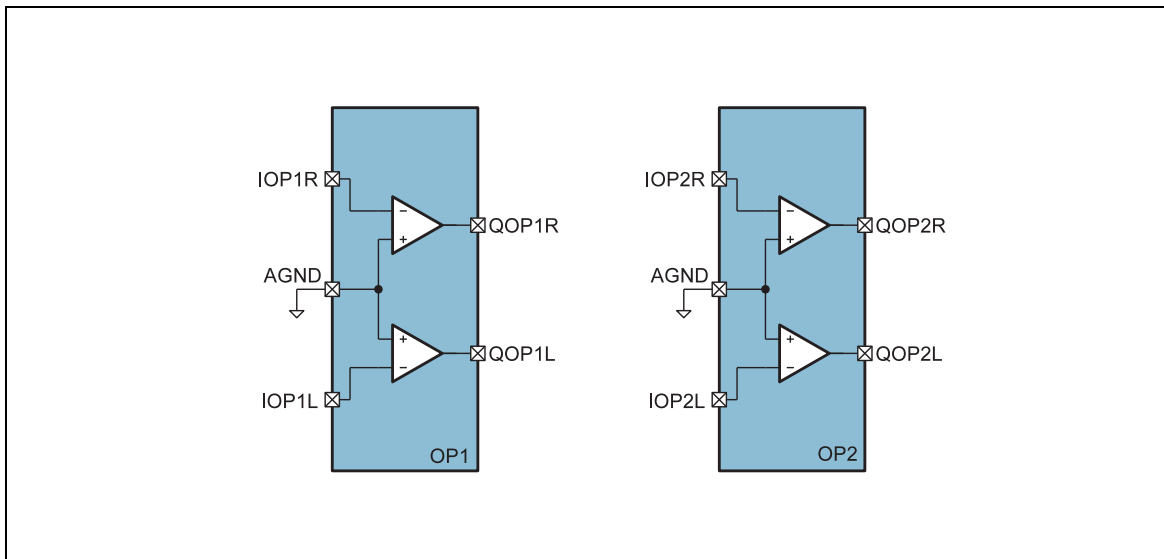


**Bypass THD+N vs. Output Power:** This table shows A-weighted THD+N characteristics of the integrated bypass switch.

### Operational Amplifier

The AS3415 offers only one operational amplifier for feed-forward ANC. The AS3435 features a second additional operational amplifier stage to perform feed-back ANC or any other needed filtering. Both operational amplifiers stages can be activated and used individually.

**Figure 43:**  
**Operational Amplifiers**



**Operational Amplifier:** This figure shows the block diagram of the operational amplifiers to be used for ANC filter design.

**Parameter**

$V_{BAT}=1.5V$ ,  $T_A=25^{\circ}C$ ,  $R_{input} = R_{FB} = 1k\Omega$  unless otherwise specified.

**Figure 44:**  
**Operational Amplifier Parameter**

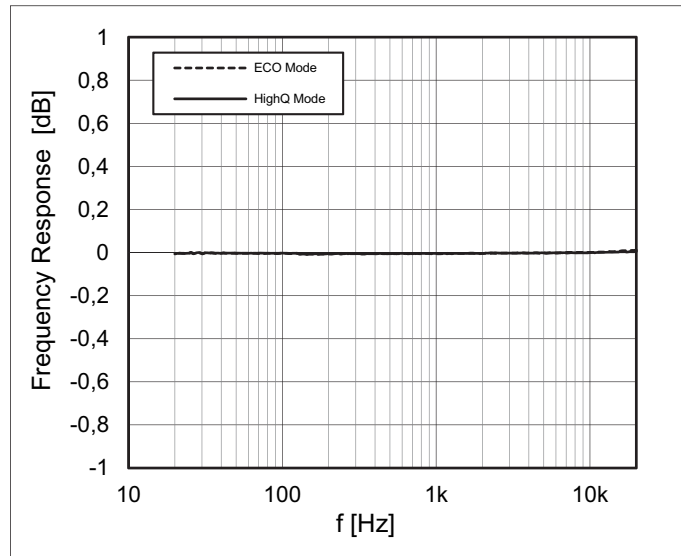
Symbol	Parameter	Conditions	Min	Typ	Max	Unit
$V_{LIN}$	Input Signal Level	Gain=0dB		0.9* $V_{BAT}$	$V_{BAT}$	$V_{PEAK}$
SNR	Signal to Noise Ratio	10k $\Omega$ load, Gain = 0dB, $V_{BAT}=1.8V$ , High Quality Mode		122		dB
		10k $\Omega$ load, Gain = 0dB, $V_{BAT}=1.5V$ High Quality Mode		121		dB
		10k $\Omega$ load, Gain = 0dB, $V_{BAT}=1.0V$ High Quality Mode		117		dB
		10k $\Omega$ load, Gain = 0dB, $V_{BAT}=1.8V$ , ECO Mode		118		dB
		10k $\Omega$ load, Gain = 0dB, $V_{BAT}=1.5V$ , ECO Mode		117		dB
		10k $\Omega$ load, Gain = 0dB, $V_{BAT}=1.0V$ , ECO Mode		113		dB
$I_{LIN}$	Block Current Consumption	No load, Gain = 0dB, $V_{BAT}=1.8V$ , High Quality Mode		660		$\mu A$
		No load, Gain = 0dB, $V_{BAT}=1.5V$ , High Quality Mode		660		$\mu A$
		No load, Gain = 0dB, $V_{BAT}=1.0V$ , High Quality Mode		530		$\mu A$
		No load, Gain = 0dB, $V_{BAT}=1.8V$ , ECO Mode		460		$\mu A$
		No load, Gain = 0dB, $V_{BAT}=1.5V$ , ECO Mode		480		$\mu A$
		No load, Gain = 0dB, $V_{BAT}=1.0V$ , ECO Mode		360		$\mu A$
$V_{NOISE-A}$	Input Referred Noise Floor A-Weighted	High Quality Mode		900		nV
		ECO Mode		1.9		$\mu V$
$V_{offset}$	DC offset voltage	Gain = 0dB			2	mV
$C_L$	Load Capacitance				100	pF

Symbol	Parameter	Conditions	Min	Typ	Max	Unit
$A_{Loop}$	Open Loop Gain	100Hz		120		dB
$R_L$	Load Impedance		1			k $\Omega$

**Operational Amplifier:** This table shows the detailed electrical characteristics of the operational amplifiers to be used for ANC signal processing.

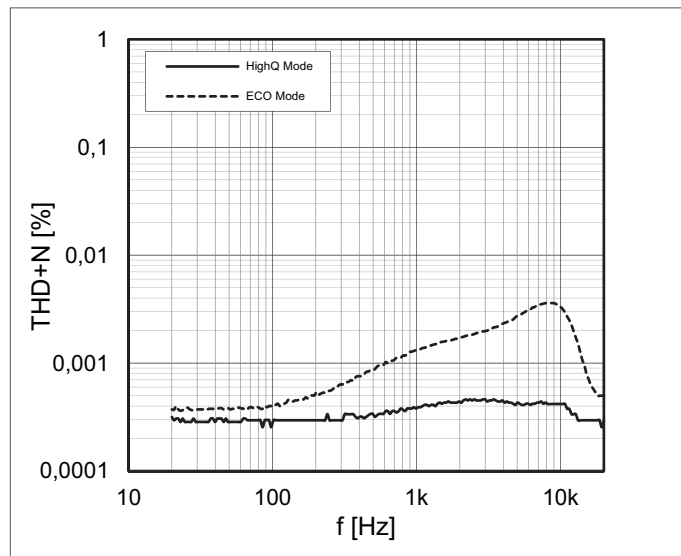
**Figure 45:**  
Operational Amplifier Frequency Response

**Operational Amplifier Frequency Response:** This graph shows the frequency response of the operational amplifiers with 0dB gain in normal and ECO mode.



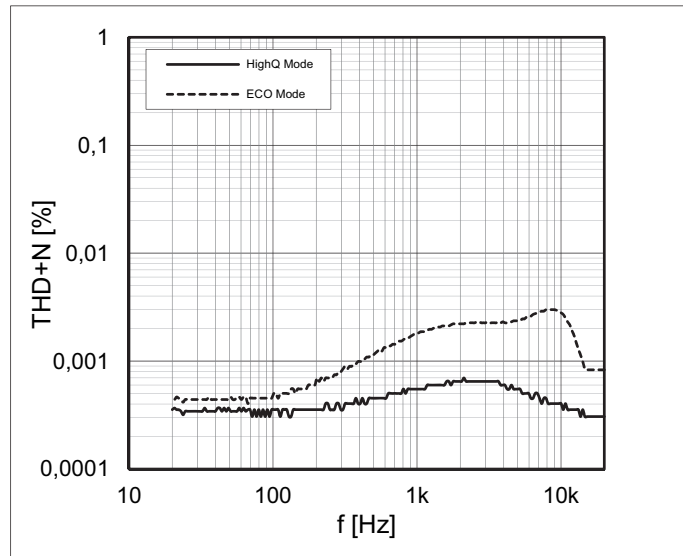
**Figure 46:**  
Operation Amplifier THD+N vs. Frequency  $V_{BAT} = 1.8V$

**Operation Amplifier THD+N vs. Frequency:** The diagram shows the A-weighted THD+N measurement of the line input amplifier with 0dB gain and  $V_{BAT}=1.8V$ .



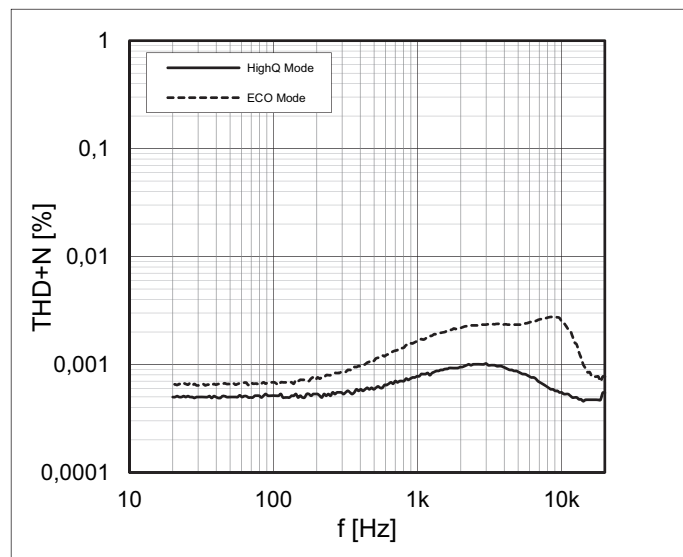
**Figure 47:**  
Operational Amplifier THD+N vs. Frequency  $V_{BAT} = 1.5V$

**Operation Amplifier THD+N vs. Frequency:** The diagram shows the A-weighted THD+N measurement of the line input amplifier with 0dB gain and  $V_{BAT}=1.5V$ .



**Figure 48:**  
Operational Amplifier THD+N vs. Frequency  $V_{BAT} = 1.0V$

**Operation Amplifier THD+N vs. Frequency:** The diagram shows the A-weighted THD+N measurement of the line input amplifier with 0dB gain and  $V_{BAT}=1.0V$ .





## System

The system block handles the power up and power down sequencing as well as the mode switching.

### Power Up/Down Conditions

The chip powers up when one of the following conditions is true:

**Figure 49:**  
Power Up Conditions

#	Source	Description
1	MODE pin	In stand-alone mode, MODE pin has to be driven high for >2ms to turn on the device
2	I <sup>2</sup> C start	In I <sup>2</sup> C mode, an I <sup>2</sup> C start condition turns on the device

**Power Up Conditions:** This table shows the available power up conditions of the AS3415/35.

The chip automatically shuts off if one of the following conditions arises:

**Figure 50:**  
Power Down Conditions

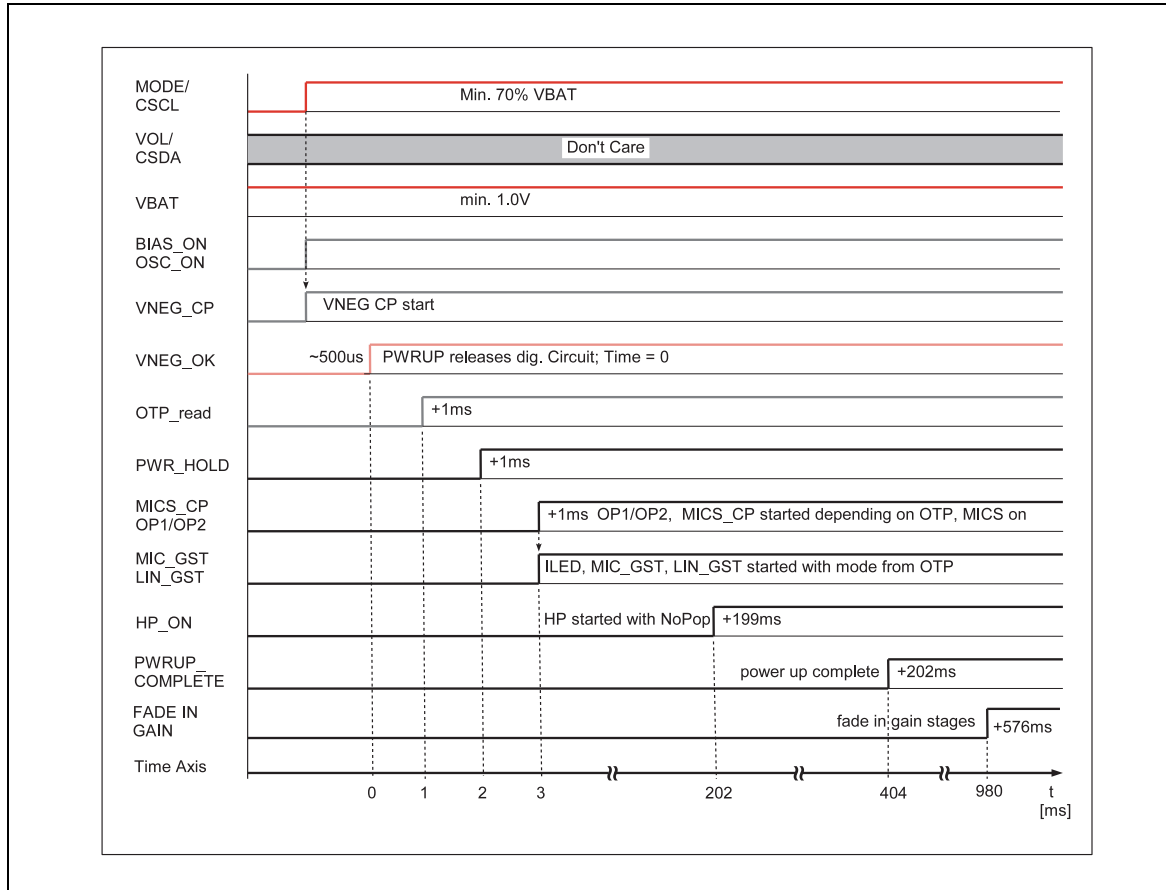
#	Source	Description
1	MODE pin	Slider Mode: Mode pin has to be driven low for 10ms to turn off Push Button Mode: Mode pin has to be driven high for >2.4sec to turn off
2	Serial Interface	Power down by serial interface by clearing the PWR_HOLD bit. (Please mind that the I2C_MODE bit has to be set before clearing the PWR_HOLD bit for security reasons)
3	Low Battery	Power down if $V_{BAT}$ is lower than the supervisor off-threshold
4	$V_{NEG}$ CP OVC	Power down if $V_{NEG}$ is higher than the $V_{NEG}$ off-threshold

**Power Down Conditions:** This table shows the available power down conditions of the AS3415/35.

### Start-Up Sequence

The AS3515/35 has a defined startup sequence. Once the AS3415/35 MODE pin is pulled high, the device initiates the automatic startup sequence shown in Figure 51.

**Figure 51:**  
Start-Up Sequence



**Stand Alone Mode:** This timing diagram shows the startup sequence of the AS3415/35 in detail.

### Modes of Operation

If the AS3415/35 is in stand-alone mode (no I<sup>2</sup>C control), the device can work in different operation modes. An overview of the different operation modes is shown in [Figure 52](#).

**Figure 52:**  
Operation Modes

MODE	Description
OFF	Chip is turned off.
ANC	Chip is turned on and active noise cancellation is active
MONITOR	In monitor mode, a different (normally higher) microphone preamplifier gain can be chosen to get an amplification of the surrounding noise. To get rid of the low pass filtering needed for the noise cancellation, the headphone input multiplexer can be set to a different (normally to MIC) source to increase speech intelligibility. In addition, the Line In gain can be lowered to reduce the loudness of the music currently played back. If desired the music can also be disabled completely in monitor mode. If the device is operated in I <sup>2</sup> C mode, it is also possible to enter the monitor mode by setting the MON_MODE bit in register 0x3D.
PBO	The Playback Only Mode is a special mode that disables the noise cancelling function and just keeps the line input amplifier as well as the headphone amplifier active. This allows the user to make use of a possibly implemented equalizer function like bass boost just for listening to music without ANC function.

**Operation Modes:** This table gives an overview of the different operation modes of the AS3415/35.

With the AS3415/35 the design engineer has different options to enter the described operation modes shown in [Figure 52](#). In addition to the different switch and push buttons connections described in the following three chapters, it is also important to configure the chipset accordingly. [Figure 53](#) shows the required register configuration settings to enable the different AS3415/35 control modes.

**Figure 53:**  
User Interface Control Modes

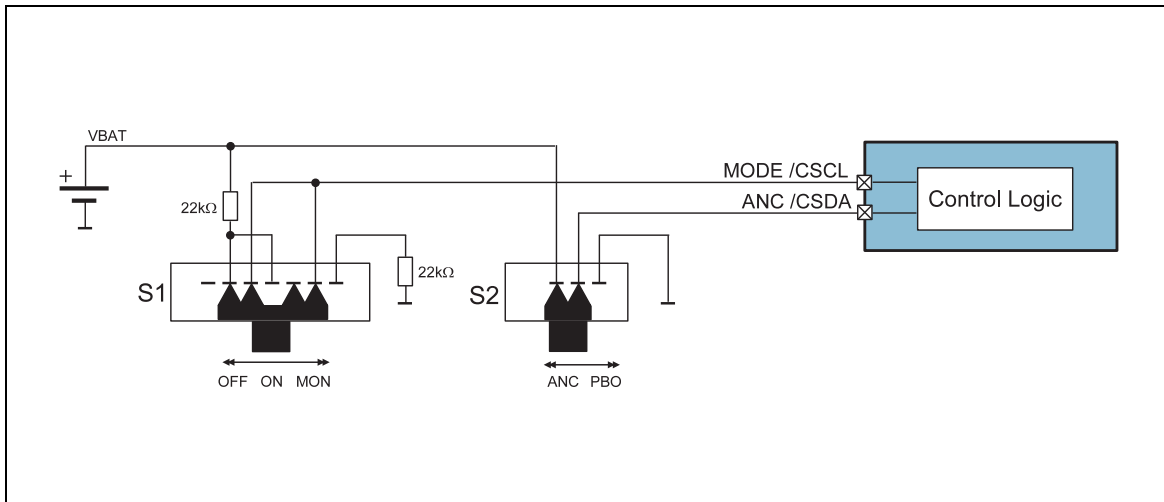
MODE	Register Name	
	SLIDE_PWR_UP	SLIDER_MON
Button Mode	0	0
Do not use	0	1
Slider Mode	1	0
Full Slider Mode	1	1

**Stand Alone Operation Mode:** Shows the different operation modes that can be selected with push button control or slide switch control.

**Full Slider Mode**

Full Slider Mode enables the AS3415/35 to be connected to two slide switches for Power, ANC and Monitor Mode control. To enable this operation mode bits SLIDE\_PWR\_UP and SLIDER\_MON have to be set to '1'. The typical connection of the slide switches is shown in [Figure 54](#).

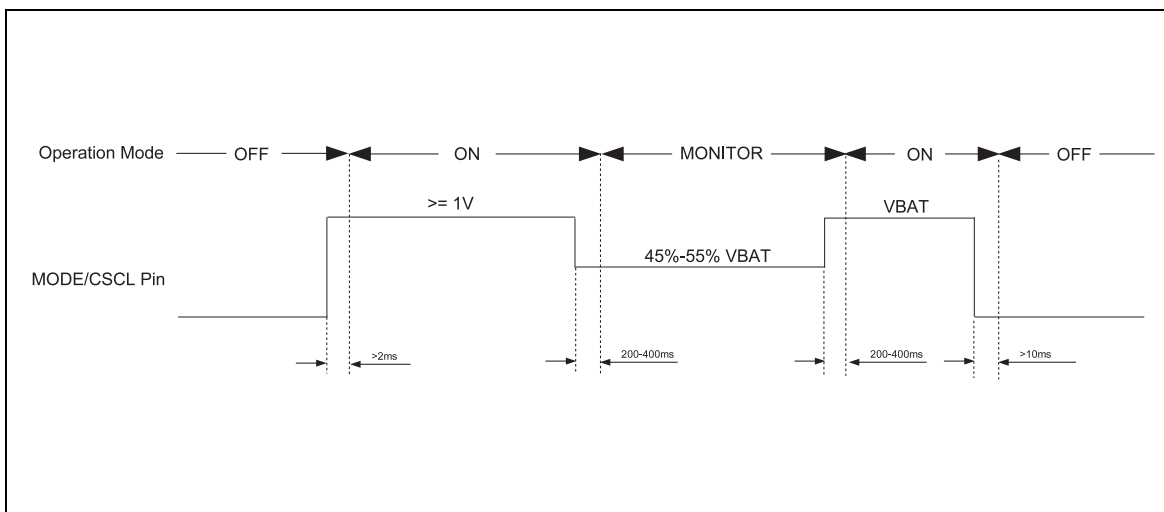
**Figure 54:**  
Full Slider Mode



**Full Slider Mode:** The diagram shows the external connection of the switches in full slider mode.

In Full Slider Mode the MODE/CSCL pin can detect three different input levels to distinguish between different operating modes: On, Off and Monitor mode. The timing diagram with all relevant information is shown in [Figure 55](#).

**Figure 55:**  
Full Slider Mode Timing Diagram

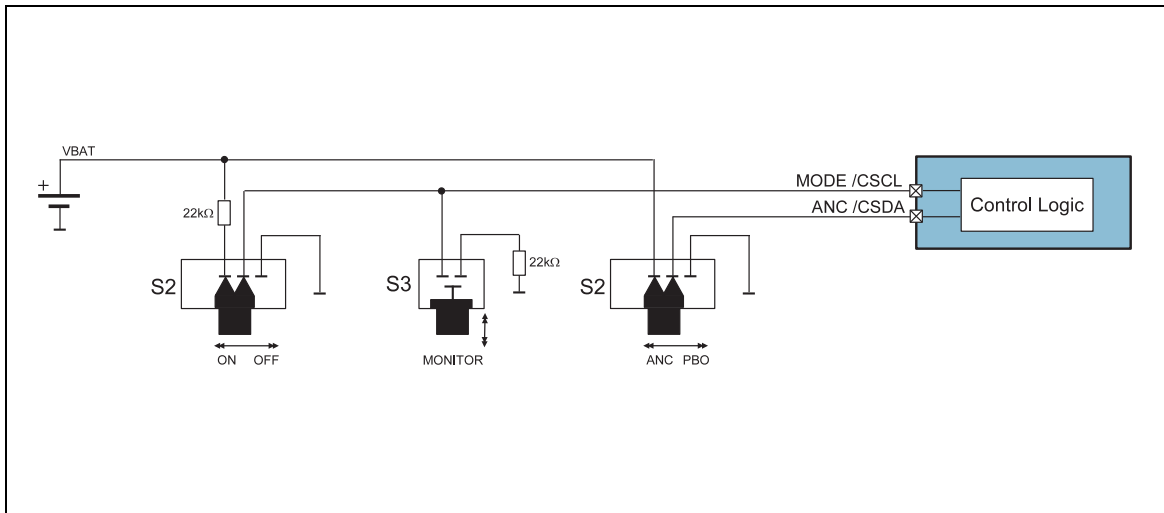


**Full Slider Mode Timing Diagram:** The diagram shows the necessary pin voltages and timings for different operation modes in Full Slider Mode configuration.

**Slider Mode**

Slider Mode is similar to Full Slider Mode with the only difference that it is possible to use a push button (S3) to enable and disable the Monitor Mode. Be aware that for Slider Mode operation bit SLIDE\_PWR\_UP has to be set to '1' and the SLIDER\_MON bit has to be set to '0'.

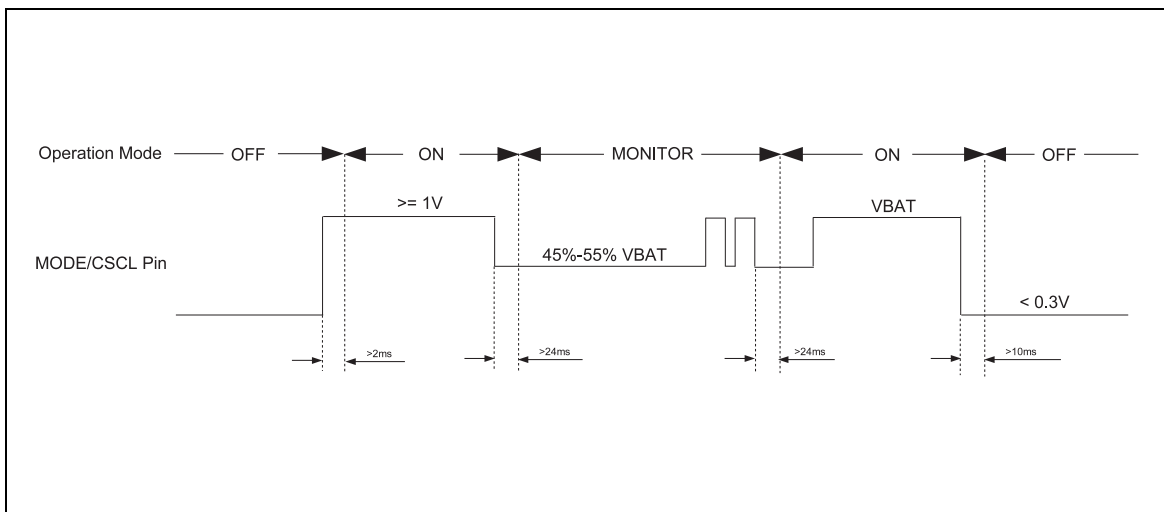
**Figure 56:**  
**Slider Mode**



**Slider Mode:** The diagram shows the external connection of the switches and push button in slider mode.

The advantage of this mode compared to Full Slider Mode is the automatic hold function of the Monitor Mode. Once the push button S3 is pressed the device enters monitor mode. This mode stays active until the user pushes the button again.

**Figure 57:**  
**Slider Mode Timing Diagram**

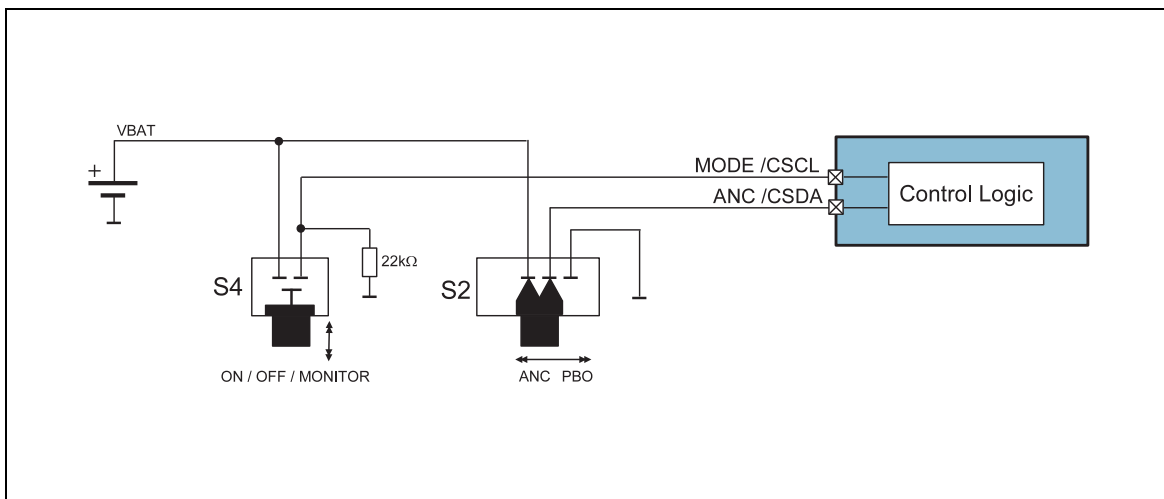


**Slider Mode Timing Diagram:** The diagram shows the necessary voltages and timings for different operation modes in Slider Mode configuration.

**Push Button Mode**

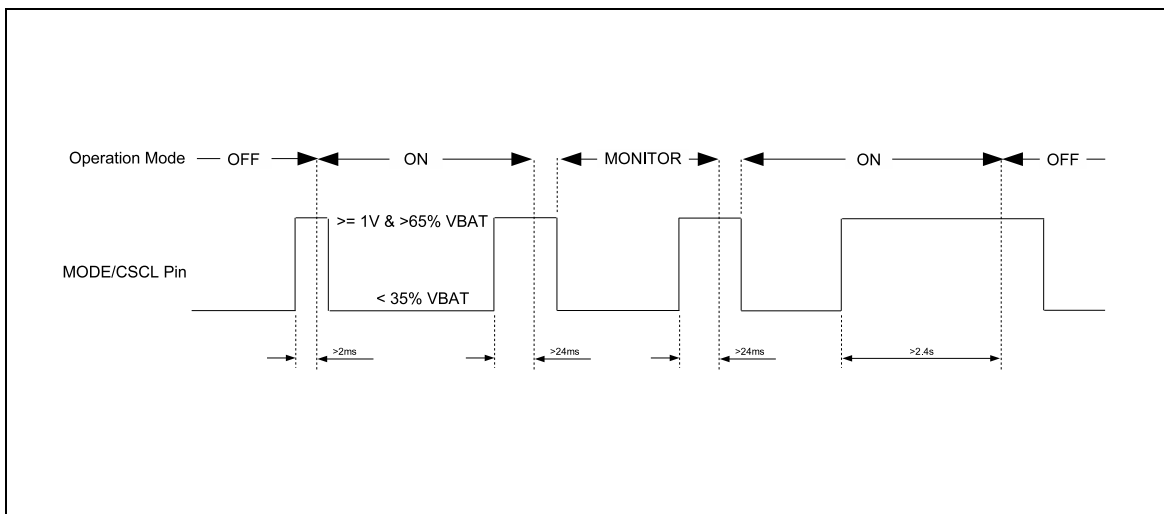
Push Button mode allows the user to control the device with a single normally open (NO) push button. A simple key press powers up the AS3515/35. Once the device is running, a long key press (~2.4 seconds) shuts the device down. As long as the device is active a short key press enters monitor mode. The monitor mode can be deactivated with a second, short key press. A timing diagram of this function is shown in Figure 60. If the monitor mode function is not desired, it is possible to deactivate the monitor mode by setting the bit DISABLE\_MONITOR in register 0x15. The typical connection of the push button to the AS3415/35 is shown in Figure 58.

**Figure 58:**  
Push Button Mode



**Push Button Mode:** The diagram shows the external connection of the switches and push button in slider mode.

**Figure 59:**  
Push Button Mode Timing Diagram

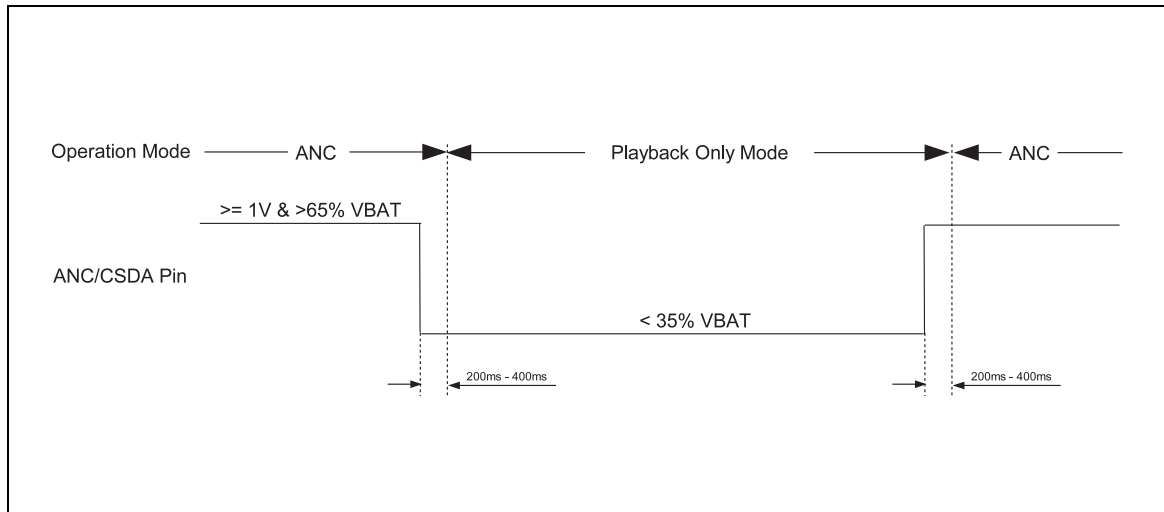


**Push Button Mode Timing Diagram:** The diagram shows the necessary voltages and timings for different operation modes in Push Button configuration.

### Playback Only Mode

The active noise cancelling feature of the AS3415/35 can also be disabled with the ANC/CSDA pin. The ANC/CSDA pin has to be pulled high to enable the ANC function during startup (ANC MODE). If the pin is connected to ground, the chip enters playback only mode (PBO MODE) in which the ANC function is disabled. The operating mode of the line input mute switch, as well as the mixer input, can be defined in register PBO\_MODE. The microphone amplifier shuts down automatically, but it is possible to control the operational amplifiers in this mode separately. Typically only the line input amplifiers and the headphone amplifier are enabled in the playback only mode. This very special mode allows the user to disable the ANC function but still use the line input equalizer function of the chipset. If this function is not desired you just need to pull the pin high through a 22kΩ resistor.

**Figure 60:**  
Playback Only Mode Timing Diagram

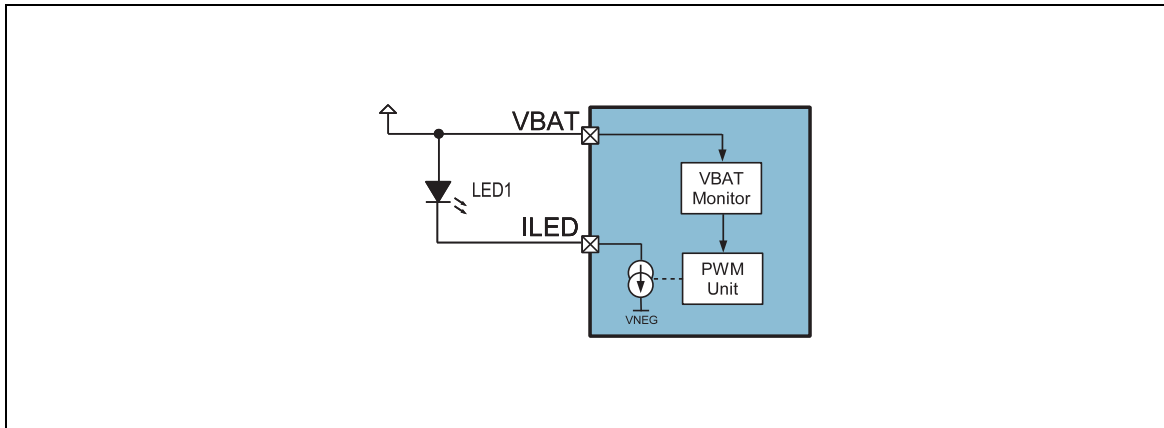


**Playback Only Mode Timing Diagram:** The diagram shows the necessary voltages and timings for different operation modes in Playback Only Mode.

### LED Status Indication

AS3415 and AS3435 feature On-status information via the current sink pin ILED with a maximum driving strength of 2.2mA. The current can be controlled in 3 steps and be switched off by setting the PWM to 0%, 25%, 50% or 100% duty cycle of a 50kHz signal. If LOW\_BAT is active, ILED switches to blinking at 1Hz, 50% duty cycle and 50% current setting. The LED can be directly connected to the AS3415/35 without the need of a current limiting resistor. The typical connection circuit is shown in [Figure 61](#).

**Figure 61:**  
**LED Status Indication Circuit**



**LED Status:** The block diagram shows the connection of an LED which indicated the operation mode of the ANC chipset.

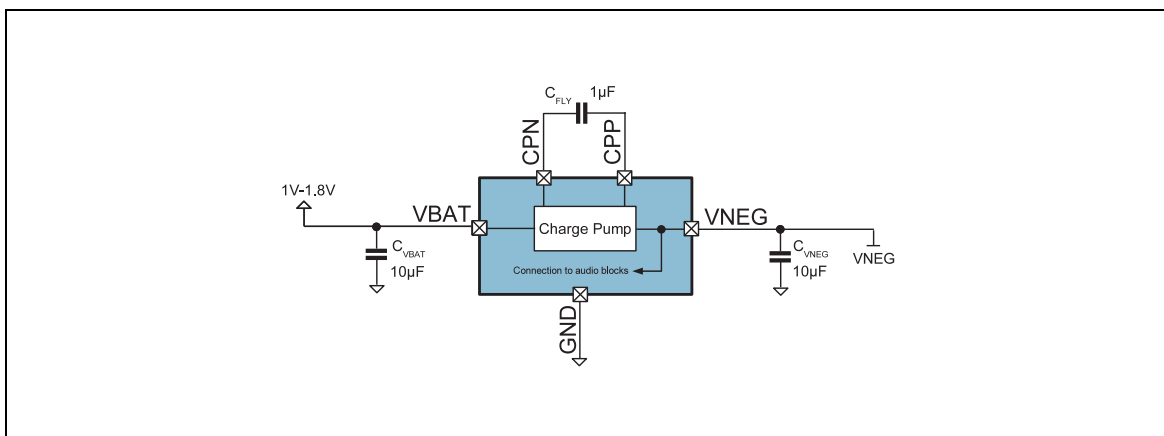
**Figure 62:**  
**Electrical Characteristics**

Symbol	Parameter	Condition	Min	Typ	Max	Unit
$I_{ILED}$	ILED current sink current	100% duty cycle		2.2		mA

### V<sub>NEG</sub> Charge Pump

The V<sub>NEG</sub> charge pump uses one external 1 μF ceramic capacitor (C<sub>FLY</sub>) to generate a negative supply voltage out of the battery input voltage to supply all audio related blocks. This allows a true-ground headphone output with no more need of external DC-decoupling capacitors.

**Figure 63:**  
**V<sub>NEG</sub> Charge Pump**



**V<sub>NEG</sub> Charge Pump:** This figure shows the block diagram of the V<sub>NEG</sub> charge pump that supplies all audio blocks of the AS3415/35.



The charge pump typically requires an additional input capacitor,  $C_{VBAT}$  of  $10\mu\text{F}$  and output capacitor,  $C_{VNEG}$ , with the same size as the input capacitor. The flying capacitor,  $C_{FLY}$ , should be  $1\mu\text{F}$ . If hybrid operation is desired, which means two ANC chips are working in parallel, it is possible to disable the  $V_{NEG}$  charge pump and share one charge pump for both chips. This should help to reduce the system power consumption of the headset.

### Parameter

$V_{BAT}=1.5\text{V}$ ,  $T_A=25^\circ\text{C}$ , unless otherwise specified.

**Figure 64:**  
 **$V_{NEG}$  Charge Pump Parameter**

Symbol	Parameter	Conditions	Min	Typ	Max	Unit
$V_{IN}$	Input voltage	$V_{BAT}$	1.0	1.5	1.8	V
$V_{OUT}$	Output voltage	$V_{NEG}$	-0.7	-1.5	-1.8	V
$C_{FLY}$	External flying capacitor			1		$\mu\text{F}$
$C_{VBAT}$	$V_{BAT}$ input capacitor			10		$\mu\text{F}$
$C_{VNEG}$	$V_{NEG}$ output capacitor			10		$\mu\text{F}$

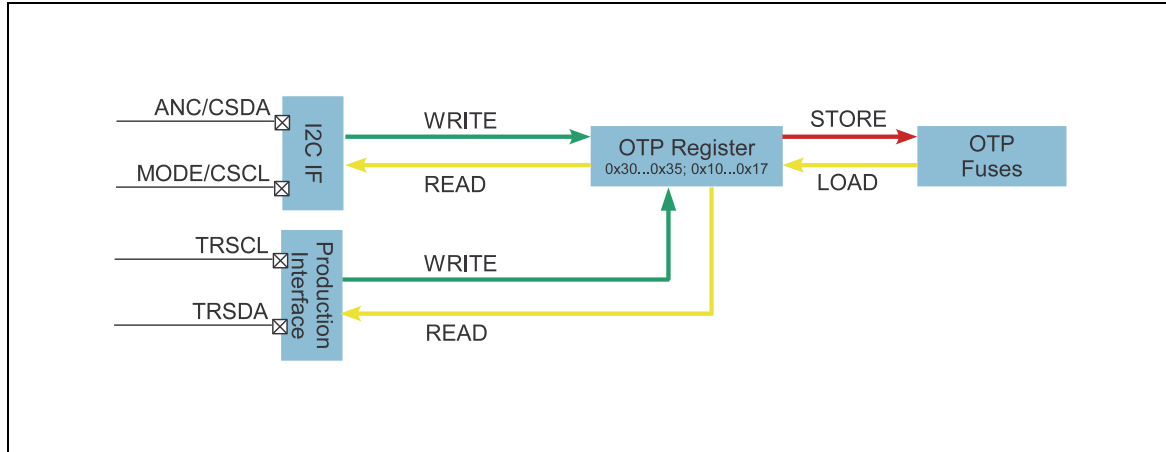
**$V_{NEG}$  Charge Pump Parameter:** This table describes the electrical characteristics of the  $V_{NEG}$  charge pump.

### OTP Memory & Internal Registers

The OTP (one-time programmable) memory consists of OTP registers (0x10 - 0x17 and 0x30 - 0x35) and the OTP fuses. The OTP registers can be written as often as wanted but they are volatile memory. It is possible to access the OTP registers using the I<sup>2</sup>C interface for “soft programming” the part or via the production programming interface pins (TRSDA and TRSCL). In order to store chip configuration data to the ANC chipset, the OTP registers are linked together with the OTP fuses shown in [Figure 65](#). The OTP fuse block is a shadow register of the OTP registers that are nonvolatile memory cells. These registers store chip parameters during power-down. Programming the fuses can be done three times and is a permanent change. In order to configure the ANC chipset during startup the OTP fuse content is loaded to the OTP registers. The AS3415/35 offers 3 OTP fuse sets for storing the microphone gain making it possible to change the gain 2 times for re-calibration or other purposes. In order to determine the right register settings for microphone gain in production, as well as in the engineering design phase, the non-volatile OTP registers should be used without OTP programming. This allows you to configure all registers as many times as desired to find the best microphone

gain calibration data. Once all the right register settings have been found, the OTP fuse block should be used to store these settings.

**Figure 65:**  
**Register Access**



**Register Access:** This diagram shows the OTP and register architecture of the AS3515/35.

A single OTP cell can be programmed only once. By default, the cell is "0"; a programmed cell will contain a "1". While it is not possible to reset a programmed bit from "1" to "0", multiple OTP writes are possible, but only additional un-programmed "0"-bits can be programmed to "1".

**OTP Registers & Fuses:**

The OTP registers are volatile memory cells which lose the content once the device is switched off. Multiple read and write commands are possible but in order to store chip settings during power off mode, the OTP fuses have to be used.

Independent of the OTP programming, it is possible to overwrite the OTP register temporarily if the chip is controlled by a microcontroller via I<sup>2</sup>C. The chip configuration can be stored in the flash memory of the Bluetooth- or wireless chipset and can be loaded to the ANC chipset during startup of the device via the I<sup>2</sup>C interface. Because the OTP fuses upload their contents into the OTP register at power-up, the new OTP settings from the microcontroller will overwrite the default settings from the fuses. All I<sup>2</sup>C OTP registers settings can be changed as many times as desired, but will be lost at power off.

The OTP memory can be accessed in the following ways:

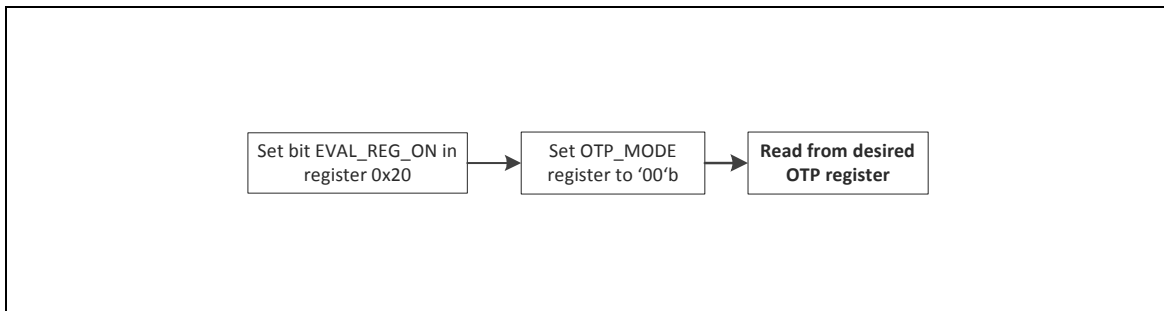
- **LOAD Operation:** The LOAD operation reads the OTP fuses and loads the contents into the OTP register. A LOAD operation is automatically executed after each power-on-reset.
- **WRITE Operation:** The WRITE operation allows a temporary modification of the OTP register. It does not program the OTP. This operation can be invoked multiple times and will remain set while the chip is supplied with power and while the OTP register is not modified with another WRITE or LOAD operation.
- **READ Operation:** The READ operation reads the contents of the OTP register, for example to verify a WRITE command or to read the OTP memory after a LOAD command.

- **STORE Operation:** The STORE operation programs the contents of the OTP register permanently into the OTP fuses. Don't use old or nearly empty batteries for programming the fuses.

### OTP Read/Write and Load Access

With the OTP register architecture of the AS3415/35 it is important to know how to access the registers for reading and writing. Before an I<sup>2</sup>C read command can be sent there are two registers that have to be configured prior to the desired I<sup>2</sup>C read command. The flow chart in [Figure 66](#) show the correct read access sequence. The first step is to configure the EVAL\_REG\_ON register. This register enables access to the OTP\_MODE register. The OTP\_MODE register defines whether you want to read or write to the OTP registers. By setting the OTP\_MODE register '00' we select OTP read access. Once the OTP\_MODE register has been configured you can start reading from the OTP registers.

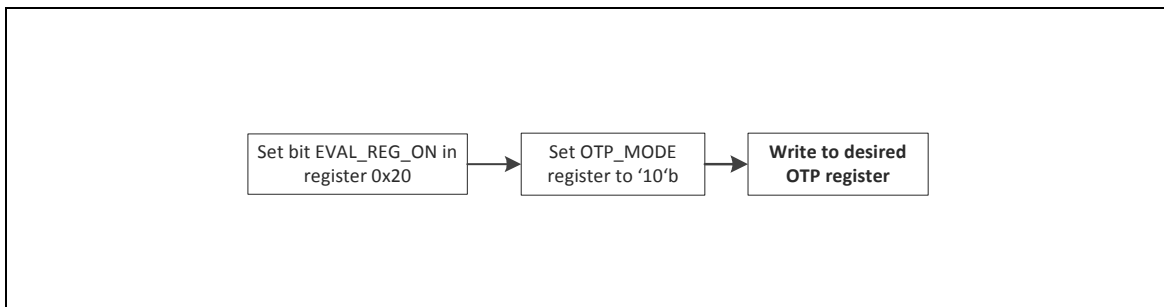
**Figure 66:**  
OTP Read Access Flow Chart



**OTP Read Access Flow Chart:** This flow chart shows how to successfully read from an OTP register via the I<sup>2</sup>C or production trimming interface.

The principle for writing to a register is basically the same. The only difference is the configuration of the OTP\_MODE register, shown in [Figure 67](#). The first step is to enable the OTP\_MODE register by setting the EVAL\_REG\_ON register to '1'. The next step is to configure the OTP\_MODE register to '10' in order to select OTP write access. Now you can start writing to any OTP register inside the AS3415/35.

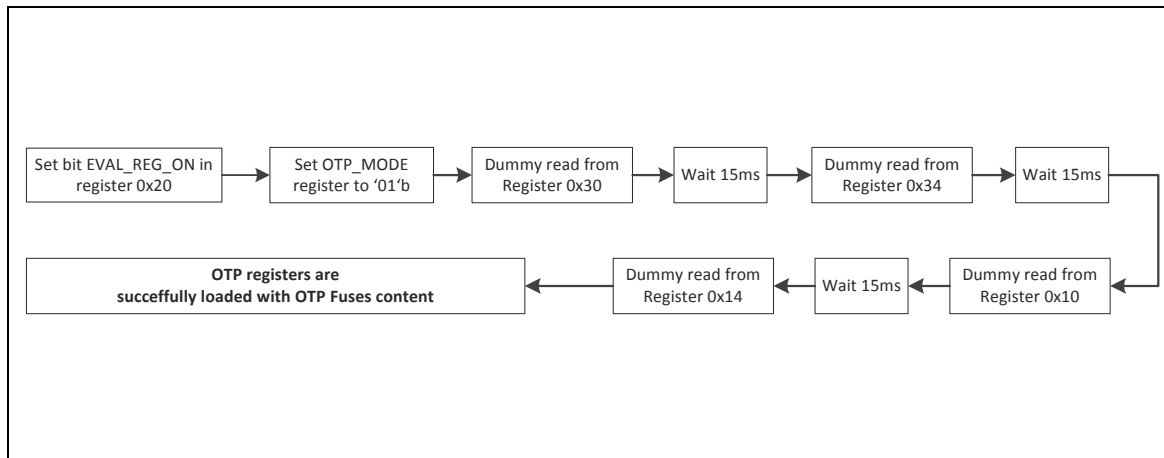
**Figure 67:**  
OTP Write Access Flow Chart



**OTP Write Access Flow Chart:** This flow chart shows how to successfully write to an OTP register via the I<sup>2</sup>C or production trimming interface.

If you want to read out the OTP fuse content the OTP load function is necessary. In order to load the OTP fuse content to the OTP registers, a special sequence is necessary, as shown in [Figure 68](#).

**Figure 68:**  
**OTP Load Access Flow Chart**

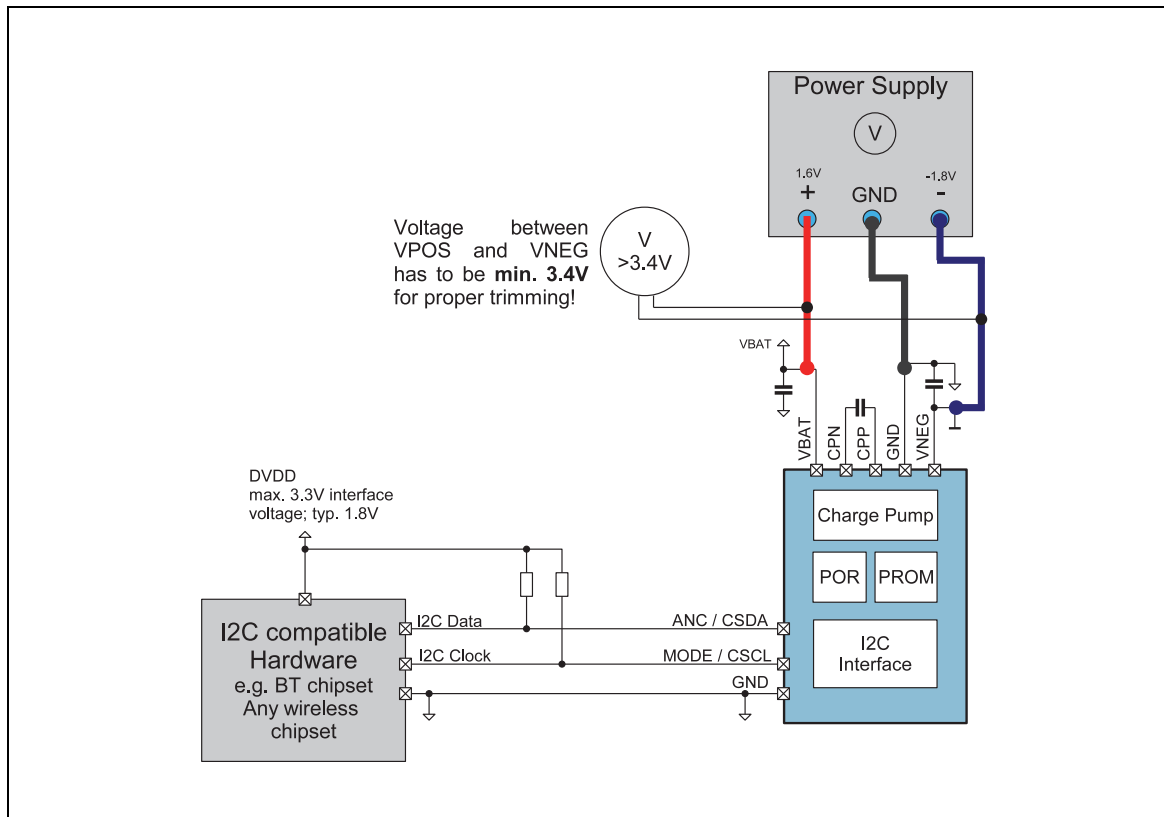


**OTP Load Access Flow Chart:** This flow chart shows how to successfully load the OTP fuse content back to the OTP register via the I<sup>2</sup>C or production trimming interface.

**OTP Fuse Storing**

Many wireless applications, like Bluetooth single chips support programmable solutions, as well as ROM versions. As such, it is necessary for ROM versions to store microphone gain compensation data and the general ANC configuration inside the ANC chip. This is necessary because there is no other way to configure the ANC chip during startup. In order to guarantee successful trimming of AS3415/35 it is necessary to provide a decent environment for the trimming process. [Figure 69](#) shows a principal block diagram for trimming the AS3415/35 properly in production using the I<sup>2</sup>C interface. The most important block is the external power supply. Usually it is possible to trim the AS3415/35 with a single supply voltage of min. 1.8V in laboratory environment, but as soon as it comes to mass production we highly recommend buffering V<sub>NEG</sub> supply of the chip. As highlighted in the block diagram, it is mandatory to get a voltage difference between V<sub>POS</sub> and V<sub>NEG</sub> of 3.4V (minimum) to guarantee proper trimming of the device, therefore it is possible to buffer it externally with a negative power supply. The V<sub>NEG</sub> voltage applied to VNEG pin must be lower than the voltage created with the charge pump. This means if the typical V<sub>NEG</sub> output voltage is -1.5V you can easily apply externally -1.7V. The charge pump switches then automatically into skip mode.

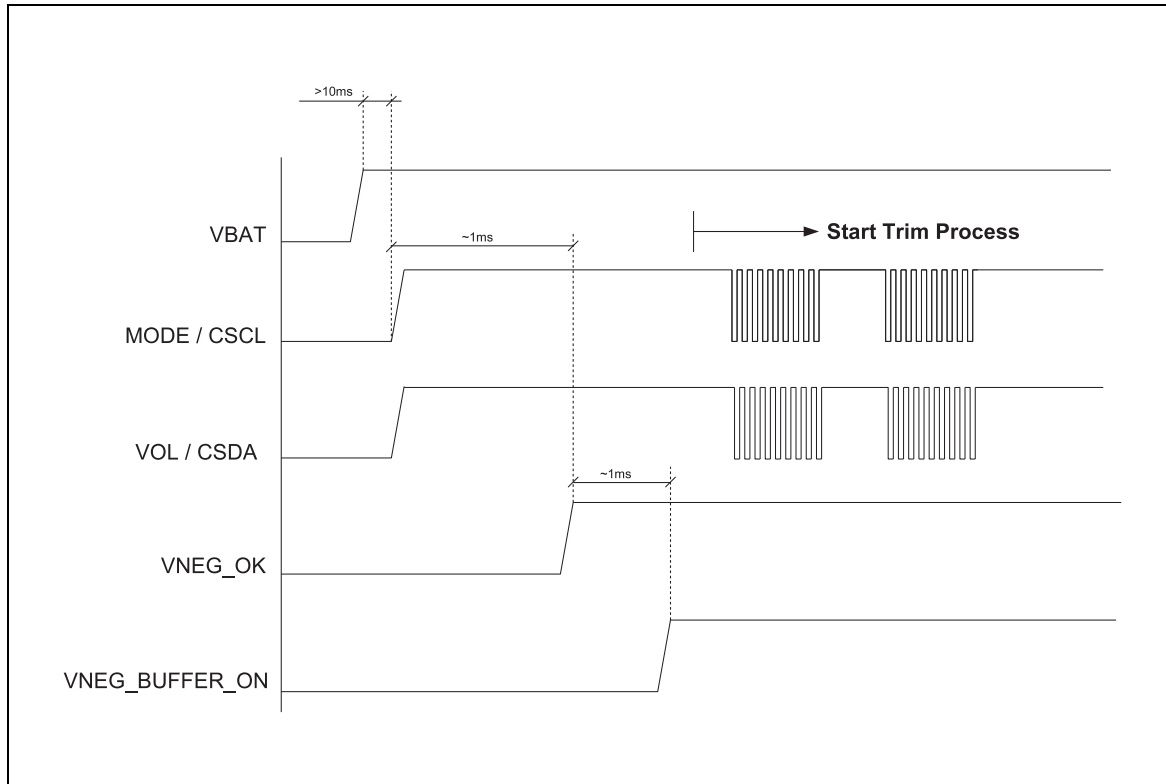
**Figure 69:**  
**Production Environment I<sup>2</sup>C Interface Trimming**



**I<sup>2</sup>C Trimming:** This block diagram shows a general overview of the production environment when storing the register settings to the AS3415/35 using a standard I<sup>2</sup>C interface.

Timing is important, to avoid latch-up, when using an external buffer and switching on the ANC device. The timing diagram in [Figure 70](#) shows that it is important that there is a certain delay requirement between VBAT and the MODE / CSCL pin. This delay is mandatory in order to guarantee that the device starts up properly. The MODE / CSCL pin powers up the ANC device. The whole sequence to power up the internal charge pump of the AS3415/35 takes approximately 1ms. Once V<sub>NEG</sub> is settled the external V<sub>NEG</sub> buffer (e.g. power supply) can be enabled in order to support the charge pump especially during the trim process which can now be started.

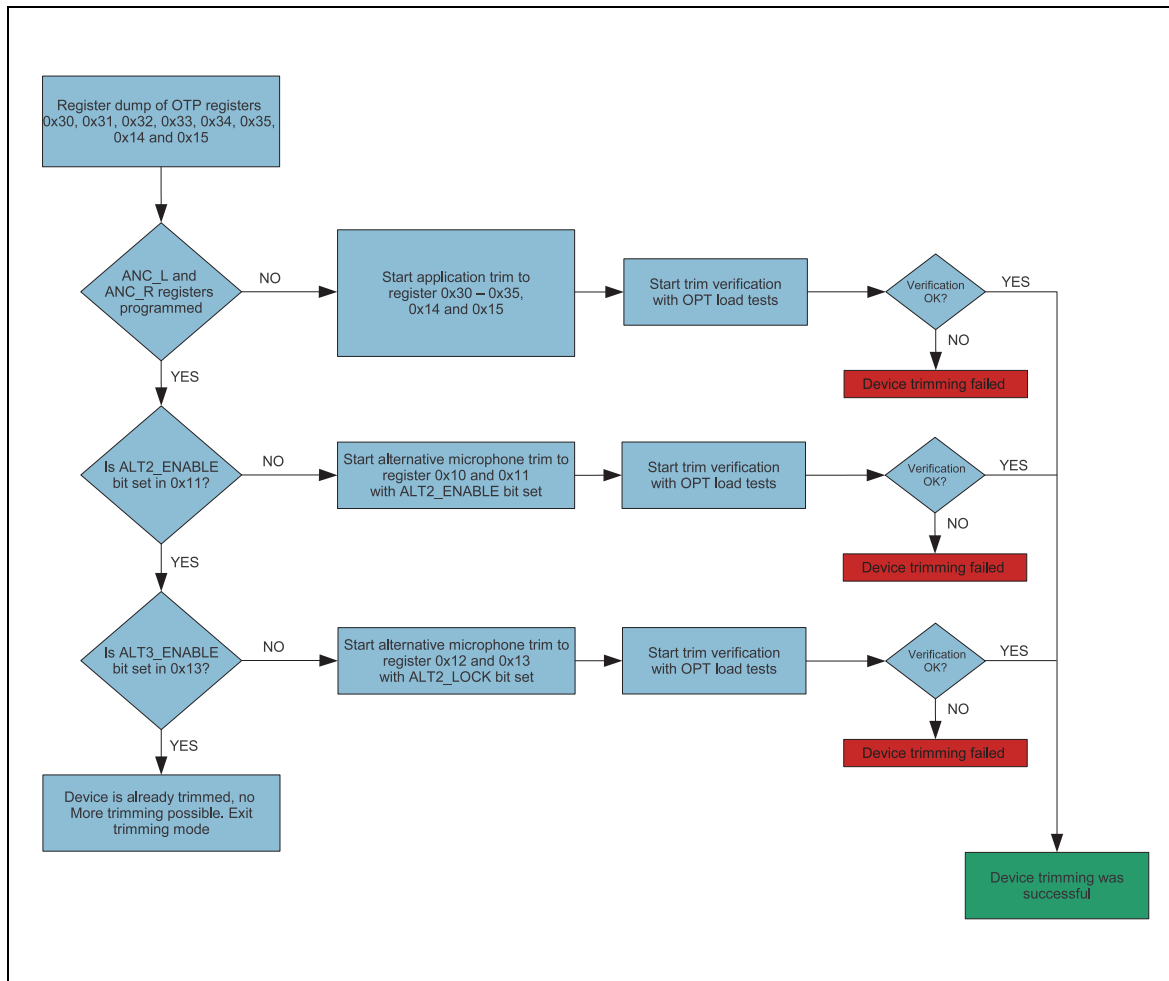
**Figure 70:**  
**Timing Diagram  $V_{NEG}$  Buffering**



**$V_{NEG}$  Buffer Timing:** This timing diagram shows how to buffer the  $V_{NEG}$  supply during the OTP programming process.

To guarantee a successful trimming process it is important to follow the predefined trimming sequence shown in [Figure 71](#) exactly. As a first step it is important to do a register dump of all OTP registers. This register backup in your system memory is a backup of all register settings and is necessary for verification after the trim process to make sure that all bits are trimmed correctly. Once the register dump has been done it is important to check registers 0x30 and 0x31. These registers typically indicate if the device is already trimmed or not. If both registers have the value 0x80 you can enter the trim mode and start the trimming process. Once trimming is done, the most important step is comparing the values trimmed to the device with the original register dump performed just before we started the actual trimming process. If the verification was successful we know that all bits have been trimmed correctly to AS3415/AS3435. What is important to mention is that the AS3415 and AS3435 have a couple of test bits inside which are by default set to '1'. We do not recommend overwriting these bits. Furthermore, it is important to know that it is not possible to change bits once they are trimmed. It is not possible to change a bit from '1' back to zero. If an additional trimming is done it is only possible to change bits from '0' to '1'. It is important that all necessary bits are trimmed exactly like in the block diagram shown in [Figure 71](#).

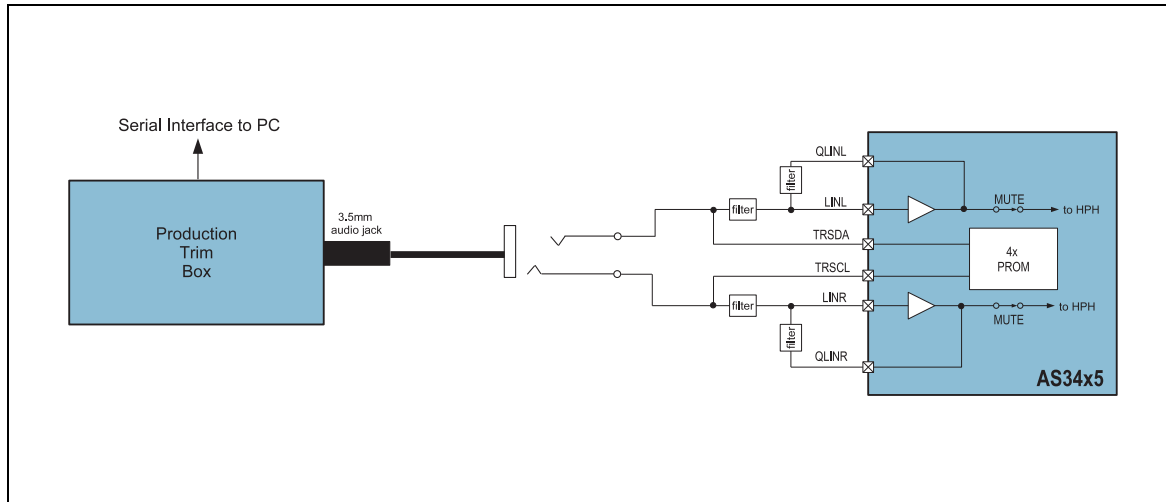
**Figure 71:**  
**OTP Programming Process**



**OTP Programming:** This flow chart describes the OTP programming process in detail.

Besides production trimming using the I<sup>2</sup>C interface, the AS3415/35 features a second unique trimming mechanism. This very special mode enables the analog music inputs of the AS3415/35 to become a production trimming input.

**Figure 72:**  
**Production Environment Production Trim Box**



**Production Trim Box:** This block diagram shows the connection of the Trim Box enabling the audio inputs to become a trim input for mass production.

With this new system, there is no need for mechanical potentiometers any more. Up to now, operators in production use screw drivers to fine tune the ANC performance of each headset. The disadvantage of this is reliability and cost of potentiometers. Additionally, operators are not always precise in their work, thus yielding inconsistent results. With the new production trimming system from ams there are no mechanical potentiometers required. The operator connects a 3.5mm audio jack to a trimming box and this box enables the audio input of the headset to become the ANC tuning input. This new feature also helps industrial designers of headset because there are no more considerations concerning leakage holes for the old mechanical trimming. Thus, the headset can be fully assembled and ready for the ANC test system at the end of the manufacturing process. The trim box can be easily controlled with an RS232 interface so it is also possible to create fully automated trimming systems. For further details please contact our local sales office; they can provide you with source code examples and application notes.

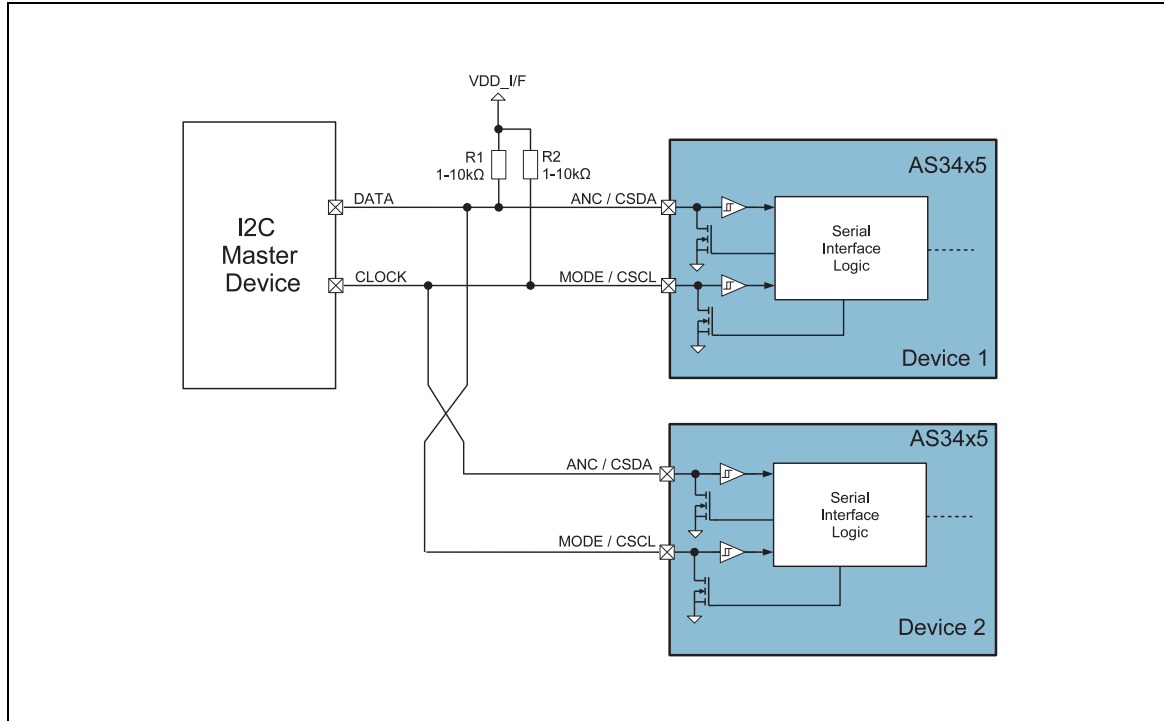
### 2-Wire Serial Interface

In order to configure the device using the evaluation software or a MCU the AS3515/35 features a serial two wire interface. Some applications like hybrid systems do require two ANC chipsets in parallel; therefore the AS3515/35 supports two different slave addresses to enable communication on a single bus with two devices. The AS3515/35 features two I<sup>2</sup>C slave addresses without having a dedicated address selection pin. The selection of the I<sup>2</sup>C address is done with the interconnection of AS3515/35 to the bus lines shown in [Figure 73](#) below. The serial interface logic inside AS3515/35 is able to distinguish between a direct I<sup>2</sup>C connection to the



master or a second option where data and clock line are crossed. Therefore it is only possible to address a maximum of two AS3515/35 slaves on one I<sup>2</sup>C bus.

**Figure 73:**  
I<sup>2</sup>C Address Selection



**I<sup>2</sup>C Address Selection:** This block diagram shows how to connect two AS3514/35 to an I<sup>2</sup>C master.

The I<sup>2</sup>C addresses for the devices in the different connection modes can be found in [Figure 74](#).

**Figure 74:**  
I<sup>2</sup>C Slave Address Table

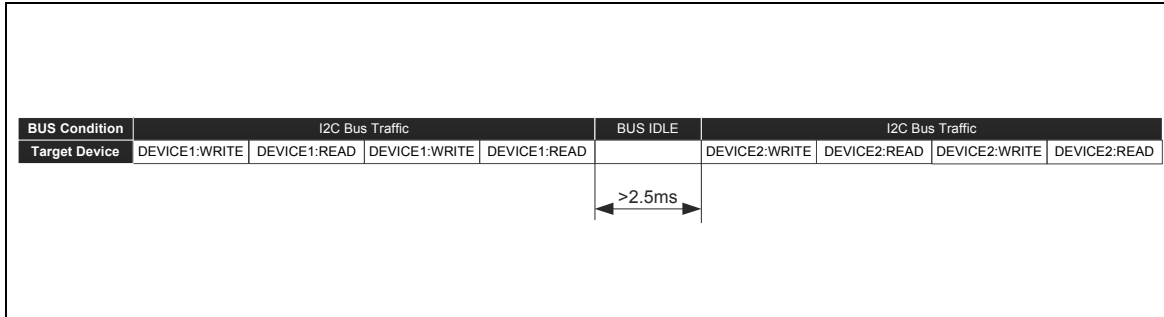
DEVICE Number	7 bit I <sup>2</sup> C address	8 Bit read address	8 Bit write address
1(default)	0x47	0x8F	0x8E
2	0x46	0x8D	0x8C

**I<sup>2</sup>C Slave Address Table:** Shows the two I<sup>2</sup>C addresses for the AS3515/35 depending on the master connection.

When the I<sup>2</sup>C master is accessing two devices on the bus it is important not violating the minimum bus idle time of 2.5ms. Thus, if the I<sup>2</sup>C master is communicating with device one it is not possible to read/write for example from device two right after a read/write command has been sent to device one without a minimum bus idle time of 2.5ms. Due to the reason that the AS3415/35 does not have a dedicated I<sup>2</sup>C address selection pin this idle time is necessary to recover the internal

I<sup>2</sup>C address selection block for a correct I<sup>2</sup>C slave address detection. The I<sup>2</sup>C address selection timing diagram in Figure 75 shows the necessary bus idle time.

**Figure 75:**  
I<sup>2</sup>C Address Selection Timing



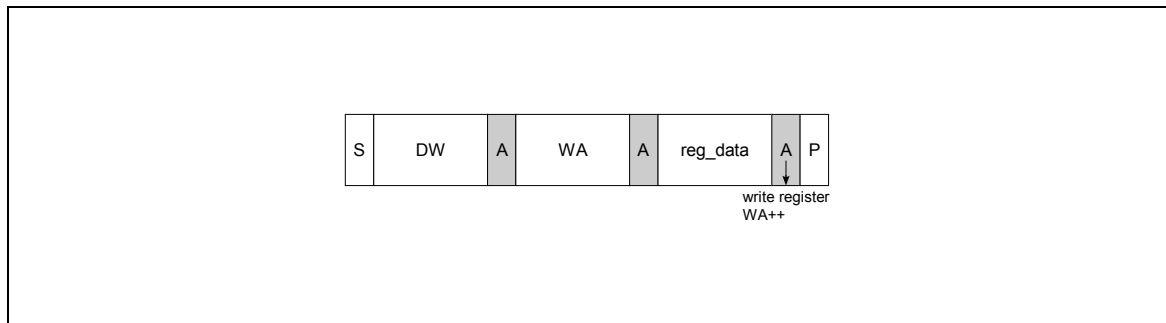
**Protocol**

**Figure 76:**  
I<sup>2</sup>C Serial Interface Symbol Definition

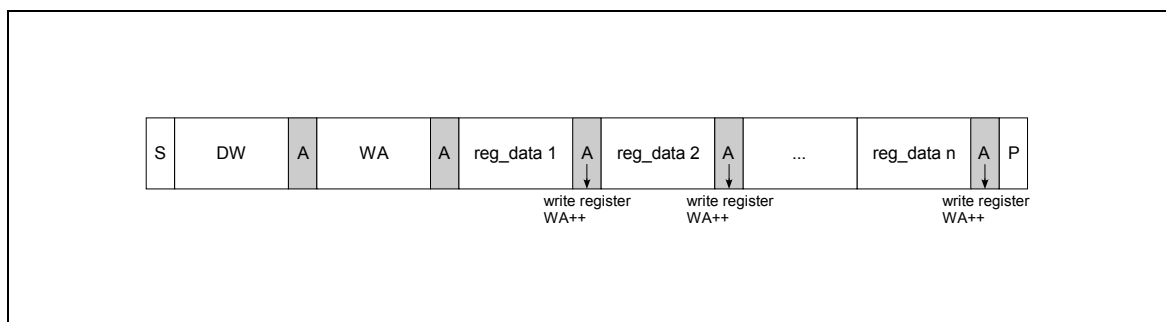
Symbol	Definition	RW	Note
S	Start condition after stop	R	1 bit
Sr	Repeated start	R	1 bit
DW	Device address for write	R	1000 1110b (8Eh)
DR	Device address for read	R	1000 1111b (8Fh)
WA	Word address	R	8 bit
A	Acknowledge	W	1 bit
N	No Acknowledge	R	1 bit
reg_data	Register data/write	R	8 bit
data (n)	Register data/read	W	8 bit
P	Stop condition	R	1 bit
WA++	Increment word address internally	R	during acknowledge
	AS3421 AS3422 (=slave) receives data		
	AS3421 AS3422 (=slave) transmits data		

**Symbol Definition:** The table shows the symbol definitions being used in the explanations for the data transfer between master and slave.

**Figure 77:**  
**Byte Write**



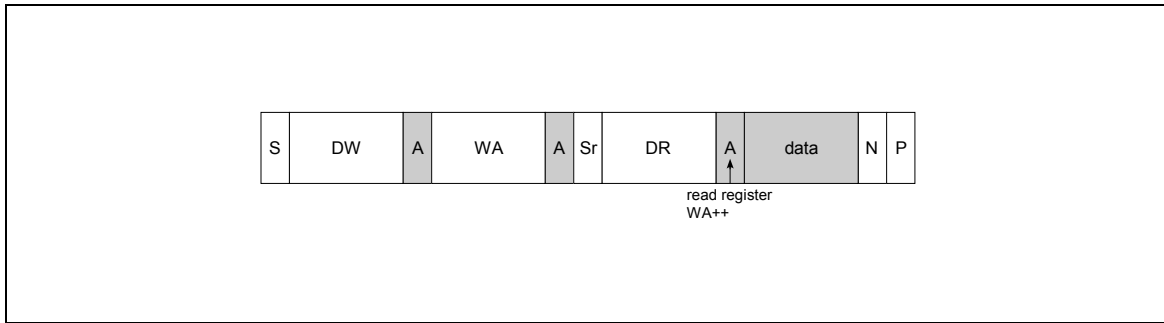
**Figure 78:**  
**Page Write**



Byte Write and Page Write formats are used to write data to the slave. The transmission begins with the START condition, which is generated by the master when the bus is in IDLE state (the bus is free). The device-write address is followed by the word address. After the word address any number of data bytes can be sent to the slave. The word address is incremented internally, in order to write subsequent data bytes to subsequent address locations.

For reading data from the slave device, the master has to change the transfer direction. This can be done either with a repeated START condition followed by the device-read address, or simply with a new transmission START followed by the device-read address, when the bus is in IDLE state. The device-read address is always followed by the 1st register byte transmitted from the slave. In Read Mode any number of subsequent register bytes can be read from the slave. The word address is incremented internally.

**Figure 79:**  
Random Read

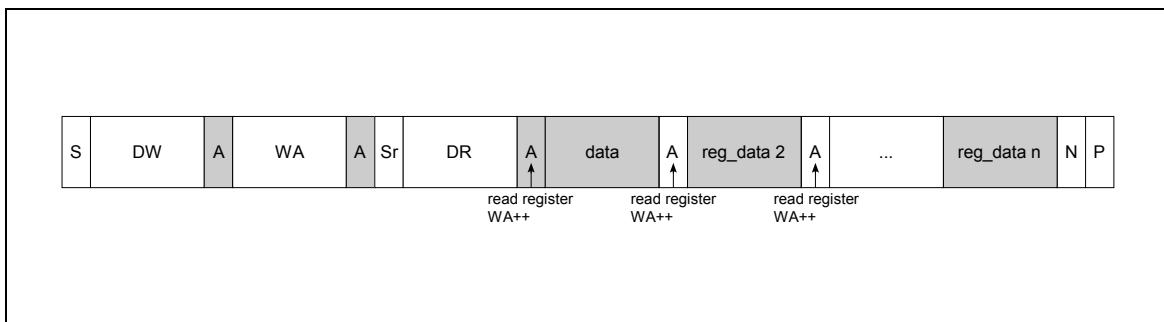


Random Read and Sequential Read are combined formats. The repeated START condition is used to change the direction after the data transfer from the master.

The word address transfer is initiated with a START condition issued by the master while the bus is idle. The START condition is followed by the device-write address and the word address.

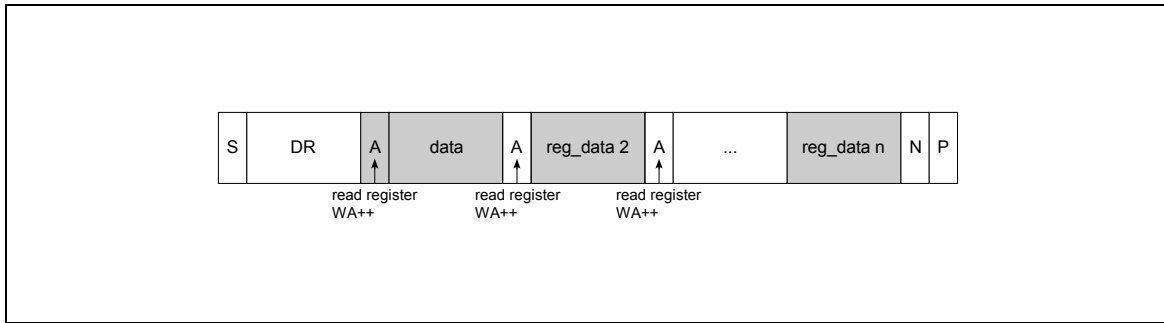
In order to change the data direction a repeated START condition is issued on the 1st SCL pulse after the acknowledge bit of the word address transfer. After the reception of the device-read address, the slave becomes the transmitter. In this state the slave transmits register data located by the previous received word address vector. The master responds to the data byte with a not-acknowledge, and issues a STOP condition on the bus.

**Figure 80:**  
Sequential Read



Sequential Read is the extended form of Random Read, as more than one register-data bytes are transferred subsequently. Different from the Random Read, for a sequential read, the transferred register-data bytes are responded with an acknowledge from the master. The number of data bytes transferred in one sequence is unlimited (consider the behavior of the word-address counter). To terminate the transmission the master has to send a not-acknowledge following the last data byte and then generate the STOP condition.

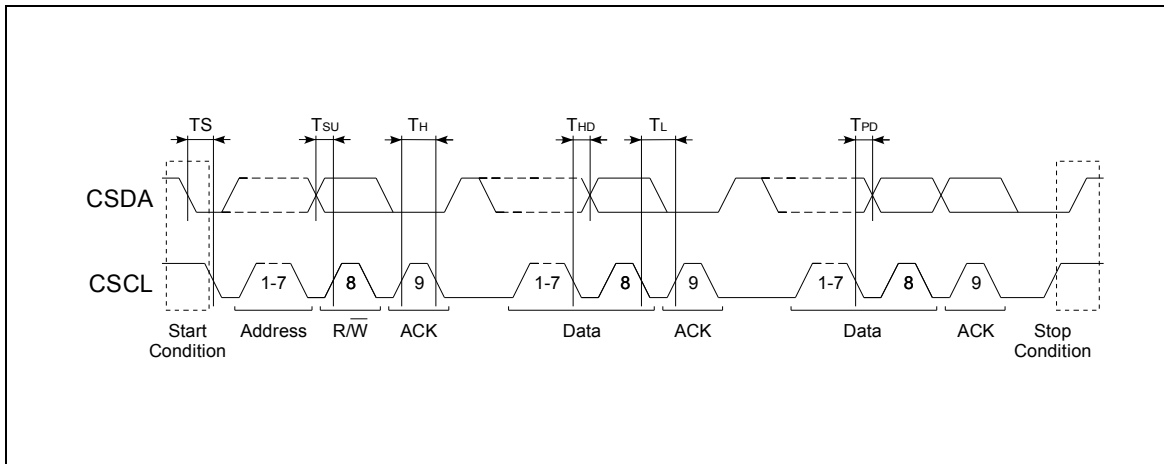
**Figure 81:**  
**Current Address Read**



To keep the access time as short as possible, this format allows a read access without the word address transfer in advance to the data transfer. The bus is idle and the master issues a START condition followed by the Device-Read address. Analogous to Random Read, a single byte transfer is terminated with a not-acknowledge after the 1st register byte. Analogous to Sequential Read an unlimited number of data bytes can be transferred, where the data bytes have to be responded with an acknowledge from the master. For termination of the transmission, the master sends a not-acknowledge following the last data byte and a subsequent STOP condition.

**Parameter**

**Figure 82:**  
**I<sup>2</sup>C Serial Timing**



$V_{BAT} \geq 1.4V^1$ ,  $T_A=25^\circ C$ , unless otherwise specified.

**Figure 83:**  
I<sup>2</sup>C Serial Interface Parameter

Symbol	Parameter	Conditions	Min	Typ	Max	Unit
$V_{CSL}$	CSCL, CSDA Low Input Level	(Max. 30% $V_{BAT}$ )	0	-	0.42	V
$V_{CSH}$	CSCL, CSDA High Input Level	CSCL, CSDA (min 70% $V_{BAT}$ )	0.98	-		V
HYST	CSCL, CSDA Input Hysteresis		200	450	800	mV
$V_{OL}$	CSDA Low Output Level	At 3mA	-	-	0.4	V
$T_{sp}$	Spike insensitivity		50	100	-	ns
$T_H$	Clock high time	Max. 400kHz clock speed	500			ns
$T_L$	Clock low time	Max. 400kHz clock speed	500			ns
$T_{SU}$		CSDA has to change Tsetup before rising edge of CSCL	250	-	-	ns
$T_{HD}$		No hold time needed for CSDA relative to rising edge of CSCL	0	-	-	ns
TS		CSDA H hold time relative to CSDA edge for start/stop/rep_start	200	-	-	ns
$T_{PD}$		CSDA prop delay relative to low going edge of CSCL		50		ns

1. Serial interface operates down to  $V_{BAT} = 1.0V$  but with 100kHz clock speed and degraded parameters.

## Register Description

Figure 84:  
Register Table Overview

Addr	Name	b7	b6	b5	b4	b3	b2	b1	b0	
<b>System Registers</b>										
20h	SYSTEM	DESIGN_VERSION<3:0> 1100				eval_reg_on				PWR_HOLD
21h	PWR_SET		LOW_BAT	PWRUP COMPLETE	HPH_ON	MIC_ON	LIN_ON	MICS_CP_O N	MICS_ON	
2h-2Fh	reserved									
<b>OTP Registers</b>										
10h	ANC_L2	TEST_BIT_1		MICL_VOL_OTP2<5:0> Gain from MICL to QMICL or Mixer = 0dB...+31dB; MUTE and 63 steps of 0.5dB						
11h	ANC_R2	ALT2_ENABLE		MICR_VOL_OTP2<5:0> Gain from MICR to QMICL or Mixer = 0dB...+31dB; MUTE and 63 steps of 0.5dB						
12h	ANC_L3	TEST_BIT_2		MICL_VOL_OTP3<5:0> Gain from MICL to QMICL or Mixer = 0dB...+31dB; MUTE and 63 steps of 0.5dB						
13h	ANC_R3	ALT3_ENABLE		MICR_VOL_OTP3<5:0> Gain from MICR to QMICL or Mixer = 0dB...+31dB; MUTE and 63 steps of 0.5dB						
14h	ANC_MODE	HPH_MUX<1:0> 0: MIC; 1: OP1; 2: OP2; 3: -		LIN_MUTE	MIX_ENABLE	OP2L_ON	OP2R_ON	OP1L_ON	OP1R_ON	
15h	MON_MODE	MON_HPH_MUX<1:0> 0: MIC; 1: OP1; 2: OP2; 3: -		MON_LIN_M UTE	MON_MIX_E NABLE	MON_LINE_ATT<1:0> 0: 0dB 1: -24dB 2: -30dB 3: -36dB		SLIDER_MO N	DISABLE_MO NITOR	

Addr	Name	b7	b6	b5	b4	b3	b2	b1	b0
16h	PBO_MODE	TEST_BIT_4	NO_PBO	PBO_LIN_MUTE	PBO_MIX_ENABLE	PBO_OP2L_ON	PBO_OP2R_ON	PBO_OP1L_ON	PBO_OP1R_ON
17h	ECO	SLIDE_PWR_UP	LOWBAT_100	ILED<1:0> 0: OFF; 1: 25%; 2: 50%; 3: 100%		ENABLE_HPH_ECO	ENABLE_MIC_ECO	ENABLE_LIN_ECO	ENABLE_OPA_MP_ECO
30h	ANC_L	TEST_BIT_3.1		MICL_VOL<5:0> Gain from MICL to QMICL or Mixer = 0dB...+31dB; MUTE and 63 steps of 0.5dB					
31h	ANC_R	TEST_BIT_6		MICR_VOL<5:0> Gain from MICR to QMICL or Mixer = 0dB...+31dB; MUTE and 63 steps of 0.5dB					
32h	MIC_MON_L			MICL_MON<5:0> Gain from MICL to QMICL/R = 0dB...+31dB; MUTE and 63 steps of 0.5dB if MON_MODE is active					
33h	MIC_MON_R			MICR_MON<5:0> Gain from MICL to QMICL/R = 0dB...+31dB; MUTE and 63 steps of 0.5dB if MON_MODE is active					
34h	MODE_1	MICS_CP_OFF	MICS_OFF	MIC_AGC_ON	MIC_OFF	NO_LOWBAT_OFF	CP_OFF	HPH_OFF	LIN_OFF
35h	MODE_2	TEST_BIT_7	HP_RAMP_ON			MICS_DC_OFF	DELAY_HPH_MUX	HPH_MODE 0: Stereo 1: Mono Differential	I2C_MODE
<b>Evaluation Registers</b>									
3Dh	EVAL	EVAL_ON		MASTER_LIN_MUTE	MASTER_MIX_ENABLE	MON_MODE	PBO_MODE	MICL_MUTE	MICR_MUTE
3Eh	CONFIG_1					EXTBURNCLK			
3Fh	CONFIG_2			TM34	BURNSW	TM_REG34-35	TM_REG30-33	OTP_MODE<1:0> 0: READ; 1: LOAD; 2: WRITE; 3: BURN	



## System Registers

**Figure 85:**  
SYSTEM Register Description

Name		Address		Default Value	
SYSTEM		0x20		81h	
This register contains control bits for monitor mode, OTP register and power up/down functions.					
Bit	Bit Name	Default	Access	Bit Description	
7:4	DESIGN_VERSION	1100	R	Design version number to identify the design version of the AS3415/35. 1010: For chip version 1v0 1011: For chip version 1v1 1100: For chip version 1v2	
3	EVAL_REG_ON	0	R/W	This register controls read and write access to the OTP register banks. <b>0: Normal operation</b> 1: Enables writing to register 0x3D, 0x3E and 0x3F to configure the OTP and set the access mode.	
2	MONITOR_ON	0	R/W	This bit enables the monitor mode of AS3415/35 which can normally be enabled by pulling the MODE pin to $V_{BAT}/2$ . In case an MCU is connected to the device the Monitor mode can be enabled by setting this bit. <b>0: Monitor mode deactivated</b> 1: Monitor mode activated	
0	PWR_HOLD	1	R/W	This bit allows an MCU using the I <sup>2</sup> C interface a power down of the AS3415/35. A start condition on the I <sup>2</sup> C interface will wake up the device again. This function works only if the I2C_MODE bit is set before you write this register. 0: Power up hold is cleared and chip powers down <b>1: It is automatically set to on after power on</b>	

**Figure 86:**  
PWR\_SET Register Description

Name		Address		Default Value	
PWR_READ		0x21		20h	
A readout of this register returns the status of each block of the chipset.					
Bit	Bit Name	Default	Access	Bit Description	
6	LOW_BAT	x	R	$V_{BAT}$ supervisor status <b>0: <math>V_{BAT}</math> is above brown out level</b> 1: $V_{BAT}$ has reached brown out level	

Name		Address		Default Value	
PWR_READ		0x21		20h	
A readout of this register returns the status of each block of the chipset.					
Bit	Bit Name	Default	Access	Bit Description	
5	PWRUP_COMPLETE	x	R	Power-Up sequencer status <b>0: Power-up sequence incomplete</b> 1: Power-up sequence completed	
4	HPH_ON	0	R	This register returns the power status of the headphone amplifier. <b>0: Headphone amplifier switched off</b> 1: Headphone amplifier switched on	
3	MIC_ON	0	R	This register returns the power status of the microphone preamplifier. <b>0: Microphone preamplifier switched off</b> 1: Microphone preamplifier switched on	
2	LIN_ON	0	R	This register returns the power status of the line input amplifier. <b>0: Line input switched off</b> 1: Line input switched on	
1	MICS_CP_ON	0	R	This register returns the power status of the microphone charge pump. <b>0: Microphone charge pump switched off</b> 1: Microphone charge pump switched on	
0	MICS_ON	0	R	This register returns the power status of the microphone supply (MICS). <b>0: Microphone supply switched off</b> 1: Microphone supply switched on	

## OTP Registers

**Figure 87:**  
ANC\_L2 Register Description

Name		Address		Default Value
ANC_L2		0x10		80h
The ANC_L2 Register configures the gain for the left microphone input. This register is the first alternative microphone gain register for OTP programming in case the ANC_L register is already programmed.				
Bit	Bit Name	Default	Access	Bit Description
7	TEST_BIT_1	1	R	Test register. Please do not write this register.
5:0	MICL_VOL_OTP2<6:0>	000 0000	R/W	Volume settings for left microphone input, adjustable in 63 steps of 0.5dB <b>00 0000: MUTE</b> 00 0001: 0.5dB gain 00 0010: 1dB gain 00 0011: 1.5dB gain ... 11 1110: 30.5dB gain 11 1111: 31dB gain

**Figure 88:**  
ANC\_R2 Register Description

Name		Address		Default Value
ANC_R2		0x11		00h
The ANC_R2 Register configures the gain for the right microphone input. This register is the first alternative microphone gain register for OTP programming in case the ANC_R register is already programmed.				
Bit	Bit Name	Default	Access	Bit Description
7	ALT2_ENABLE	0	R/W	In case the register is being used for microphone programming this bit has to be set. The bit is being used by the internal state machine of the AS3415/35 to determine which alternative microphone gain register has to be used during startup. <b>0: Microphone registers 0x10 and 0x11 are not active</b> 1: Microphone registers 0x10 and 0x11 are active. Gain settings in registers 0x30 and 0x31 are ignored

Name		Address		Default Value
ANC_R2		0x11		00h
The ANC_R2 Register configures the gain for the right microphone input. This register is the first alternative microphone gain register for OTP programming in case the ANC_R register is already programmed.				
Bit	Bit Name	Default	Access	Bit Description
5:0	MICR_VOL_OTP2<6:0>	000 0000	R/W	Volume settings for left microphone input, adjustable in 63 steps of 0.5dB <b>00 0000: MUTE</b> 00 0001: 0.5dB gain 00 0010: 1dB gain 00 0011: 1.5dB gain ... 11 1110: 30.5dB gain 11 1111: 31dB gain

**Figure 89:**  
ANC\_L3 Register Description

Name		Address		Default Value
ANC_L3		0x12		80h
The ANC_L3 Register configures the gain for the left microphone input. This register is the second alternative microphone gain register for OTP programming in case the ANC_L and ANC_L2 registers are already programmed.				
Bit	Bit Name	Default	Access	Bit Description
7	TEST_BIT_6	1	R	Test register. Please do not write this register.
5:0	MICL_VOL_OTP3<6:0>	000 0000	R/W	Volume settings for left microphone input, adjustable in 63 steps of 0.5dB <b>00 0000: MUTE</b> 00 0001: 0.5dB gain 00 0010: 1dB gain 00 0011: 1.5dB gain ... 11 1110: 30.5dB gain 11 1111: 31dB gain

**Figure 90:**  
**ANC\_R3 Register Description**

Name		Address		Default Value
ANC_R3		0x13		00h
<p>The ANC_R3 Register configures the gain for the right microphone input. This register is the second alternative microphone gain register for OTP programming in case the ANC_R and ANC_R2 registers are already programmed.</p>				
Bit	Bit Name	Default	Access	Bit Description
7	ALT3_ENABLE	0	R/W	<p>In case the register is being used for microphone programming this bit has to be set. The bit is being used by the internal state machine of the AS3415/35 to determine which alternative microphone gain register has to be used during startup.</p> <p><b>0: Microphone registers 0x12 and 0x13 are not active</b></p> <p>1: Microphone registers 0x12 and 0x13 are active. Gain settings in registers 0x30, 0x31, 0x10 and 0x11 are ignored.</p>
5:0	MICR_VOL_OTP3<6:0>	000 0000	R/W	<p>Volume settings for left microphone input, adjustable in 63 steps of 0.5dB</p> <p>00 0000: 0dB            00 0001: 0.5dB gain            00 0010: 1dB gain            00 0011: 1.5dB gain            ...            11 1110: 30.5dB gain            11 1111: 31dB gain</p>

**Figure 91:**  
**ANC\_MODE Register Description**

Name		Address		Default Value
ANC_MODE		0x14		00h
The ANC_MODE register controls various settings for the chipset in active noise cancelling mode like which amplifiers are enabled as well as which audio inputs are active.				
Bit	Bit Name	Default	Access	Bit Description
7:6	HPH_MUX<1:0>	00	R/W	This register selects the ANC input source for the headphone amplifier in ANC mode. Depending on the register setting the outputs of microphone preamplifier, OPAMP1, OPAMP2 can be connected to the headphone amplifier input. It is also possible to disconnect all ANC input sources which is sometimes desired in monitor mode. <b>00: QMIC outputs are connected to HPH input</b> 01: OP1 outputs are connected to HPH input 10: OP2 outputs are connected to HPH input 11: Nothing connected to HPH input except line input and mixer input in case they are enabled.
5	LIN_MUTE	0	R/W	This bit defines the status of the line input mute switch in active noise cancelling mode. If the bit is set to '1' the line input amplifier is disconnected from the headphone amplifier. <b>0: Line input connected to headphone amplifier</b> 1: Line input not connected to headphone amplifier
4	MIX_ENABLE	0	R/W	This bit enables the headphone mixer input pin to mix external signals to the headphone amplifier in active noise cancelling mode. <b>0: HPH mixer input disabled</b> 1: HPH mixer input enabled
3	OP2L_ON	0	R/W	This register enables the left channel of OPAMP 2 in ANC mode. <b>0: Left OP2 is switched off</b> 1: Left OP2 is switched on
2	OP2R_ON	0	R/W	This register enables the right channel of OPAMP 2 in ANC mode. <b>0: Right OP2 is switched off</b> 1: Right OP2 is switched on
1	OP1L_ON	0	R/W	This register enables the left channel of OPAMP 1 in ANC mode. <b>0: Left OP1 is switched off</b> 1: Left OP1 is switched on
0	OP1R_ON	0	R/W	This register enables the right channel of OPAMP 1 in ANC mode. <b>0: Right OP1 is switched off</b> 1: Right OP1 is switched on

**Figure 92:**  
**MONITOR\_MODE Register Description**

Name		Address	Default Value	
MONITOR_MODE		0x15	00h	
The MONITOR_MODE register controls various settings for the chipset in monitor mode like line input monitor mode attenuation as well as which audio inputs are active.				
Bit	Bit Name	Default	Access	Bit Description
7:6	MON_HPH_MUX<1:0>	00	R/W	This register selects the ANC input source for the headphone amplifier in monitor mode. Depending on the register setting the outputs of microphone preamplifier, OPAMP1, OPAMP2 can be connected to the headphone amplifier input. <b>00: QMIC outputs are connected to HPH input</b> 01: OP1 outputs are connected to HPH input 10: OP2 outputs are connected to HPH input 11: Nothing connected to HPH input except line input and mixer input in case they are enabled.
6	MON_LIN_MUTE	0	R/W	This bit defines the status of the line input mute switch in monitor mode. If the bit is set to '1' the line input amplifier is disconnected from the headphone amplifier. <b>0: Line Input Mute disabled</b> 1: Line Input Mute enabled
5	MON_MIX_ENABLE	0	R/W	This bit enables the headphone mixer input pin to mix external signals to the headphone amplifier in playback only mode. <b>0: HPH mixer input disabled</b> 1: HPH mixer input enabled
3:2	MON_LIN_ATT<1:0>	00	R/W	This register controls the line put gain in monitor mode. Per default the line input is muted. With this register it can be attenuated from -30dB up to -36dB in 6dB steps. <b>00: 0dB line input gain in monitor mode</b> 01: -24dB line input gain in monitor mode 10: -30dB line input gain in monitor mode 11: -36dB line input gain in monitor mode
1	SLIDER_MON	0	R/W	This bit enables the Full Slider Mode configuration. Please mind that this bit must not be set without setting SLIDE_PWR_UP to '1'. <b>0: Slider Mode activated</b> 1: Full Slider Mode activated
0	DISABLE_MONITOR	0	R/W	This bit disables the monitor mode in push button control mode. <b>0: Monitor mode enabled</b> 1: Monitor mode disabled

**Figure 93:**  
**PBO\_MODE Register Description**

Name		Address		Default Value
PBO_MODE		0x16		00h
The ANC_MODE register controls various settings for the chipset in playback mode like which amplifiers are enabled as well as which audio inputs are active.				
Bit	Bit Name	Default	Access	Bit Description
7	TEST_BIT_4	1	R	Test register. Please do not write this register.
6	NO_PBO	0	R/W	This bit disables the playback only mode function. No external pull up resistor is required on ANC / CSDA pin is necessary if this bit is set to '1' <b>0: Playback only mode enabled</b> 1: Playback only mode disabled
5	PBO_LIN_MUTE	0	R/W	This bit defines the status of the line input mute switch in playback only mode. If the bit is set to '1' the line input amplifier is disconnected from the headphone amplifier. <b>0: Line Input Mute disabled</b> 1: Line Input Mute enabled
4	PBO_MIX_ENABLE	0	R/W	This bit enables the eco mode of the microphone preamplifier. <b>0: Power save function disabled</b> 1: Power save function enabled
3	PBO_OP2L_ON	0	R/W	This register enables the left channel of OPAMP 2 in playback only mode. <b>0: Left OP2 is switched off</b> 1: Left OP2 is switched on
2	PBO_OP2R_ON	0	R/W	This register enables the right channel of OPAMP 2 in playback only mode. <b>0: Right OP2 is switched off</b> 1: Right OP2 is switched on
1	PBO_OP1L_ON	0	R/W	This register enables the left channel of OPAMP 1 in playback only mode. <b>0: Left OP2 is switched off</b> 1: Left OP2 is switched on
0	PBO_OP1R_ON	0	R/W	This register enables the right channel of OPAMP 1 in playback only mode. <b>0: Right OP2 is switched off</b> 1: Right OP2 is switched on



**Figure 94:**  
**ECO Register Description**

Name		Address		Default Value
ECO		0x17		0x00
This register controls the economic (ECO) mode for all analog audio blocks. Furthermore it includes also LED control and other general settings.				
Bit	Bit Name	Default	Access	Bit Description
7	SLIDE_PWR_UP	0	R/W	This bit enables the slide switch control mode of the AS3515/35. If this bit is programmed the device can be powered up and powered down via a slide switch. <b>0: Slide switch control disabled</b> 1: Slide switch control enabled
6	LOWBAT_100	0	R/W	This bit increases the LED low battery indication level by 100mV. <b>0: Default LED indication level (0.95V)</b> 1: Increased LED indication level (1.05V)
5:4	ILED<1:0>	00	R/W	This register defines the driving strength of the ILED pin for LED control. <b>00: Current sink switched off</b> 01: 25% 10: 50% 11: 100%
3	ENABLE_HPH_ECO	0	R/W	This bit enables the eco mode of the headphone amplifier. <b>0: Power save function disabled</b> 1: Power save function enabled
2	ENABLE_MIC_ECO	0	R/W	This bit enables the eco mode of the microphone amplifier. <b>0: Power save function disabled</b> 1: Power save function enabled
1	ENABLE_LIN_ECO	0	R/W	This bit enables the eco mode of the line input amplifier. <b>0: Power save function disabled</b> 1: Power save function enabled
0	ENABLE_OPAMP_ECO	0	R/W	This bit enables the eco mode of the operational amplifier amplifiers for ANC filter design. <b>0: Power save function disabled</b> 1: Power save function enabled

**Figure 95:**  
**ANC\_L Register Description**

Name		Address		Default Value	
ANC_L		0x30		80h	
The ANC_L Register configures the gain for the left microphone input.					
Bit	Bit Name	Default	Access	Bit Description	
7	TEST_BIT_5	1	R/W	Please do not write this register.	
5:0	MICL_VOL<5:0>	000 0000	R/W	Volume settings for left microphone input, adjustable in 63 steps of 0.5dB <b>00 0000: MUTE</b> 00 0001: 0.5dB gain 00 0010: 1dB gain 00 0011: 1.5dB gain ... 11 1110: 30.5dB gain 11 1111: 31dB gain	

**Figure 96:**  
**ANC\_R Register Description**

Name		Address		Default Value	
ANC_R		0x31		0x80	
The ANC_R Register configures the gain for the left microphone input.					
Bit	Bit Name	Default	Access	Bit Description	
7	TEST_BIT_6	1	R/W	Please do not write this register.	
5:0	MICR_VOL_OTP<5:0>	000 0000	R/W	Volume settings for right microphone input, adjustable in 63 steps of 0.5dB <b>00 0000: MUTE</b> 00 0001: 0.5dB gain 00 0010: 1dB gain 00 0011: 1.5dB gain ... 11 1110: 30.5dB gain 11 1111: 31dB gain	

**Figure 97:**  
**MIC\_MON\_L Register Description**

Name		Address		Default Value	
MIC_MON_L		0x32		0x00	
This register controls the microphone gain in monitor mode for the left microphone channel.					
Bit	Bit Name	Default	Access	Bit Description	
5:0	MICL_MON<5:0>	00 0000	R/W	Monitor mode gain setting for left microphone input adjustable in 63 steps of 0.5dB <b>00 0000: MUTE</b> 00 0001: 0.5dB gain 00 0010: 1dB gain 00 0011: 1.5dB gain ... 11 1110: 30.5dB gain 11 1111: 31dB gain	

**Figure 98:**  
**MIC\_MON\_R Register Description**

Name		Address		Default Value	
MIC_MON_R		0x33		0x00	
This register controls the microphone gain in monitor mode for the right microphone channel.					
Bit	Bit Name	Default	Access	Bit Description	
5:0	MICR_MON_OTP<5:0>	00 0000	R/W	Monitor mode gain setting for right microphone input adjustable in 63 steps of 0.5dB <b>00 0000: MUTE</b> 00 0001: 0.5dB gain 00 0010: 1dB gain 00 0011: 1.5dB gain ... 11 1110: 30.5dB gain 11 1111: 31dB gain	

**Figure 99:**  
**MODE\_1 Register Description**

Name		Address		Default Value	
MODE_1		0x34		0x00	
This register controls miscellaneous settings of the AS3515/35.					
Bit	Bit Name	Default	Access	Bit Description	
7	MICS_CP_OFF	0	R/W	This bit controls the microphone supply charge pump. The microphone charge pump has a second function besides the bias voltage generation for microphones. It is also used to disable the integrated music bypass switch if the AS3415/35 is active. In case the integrated bypass switch is used in an application the MICS_CP_OFF bit must not be set to '1'. <b>0: Microphone supply charge pump enabled</b> 1: Microphone supply charge pump disabled	
6	MICS_OFF	0	R/W	This bit controls the microphone supply. In case this bit is set to '1' the MICS pin is disconnected from the internal microphone supply. <b>0: Microphone supply switched on</b> 1: Microphone supply switched off	
5	MIC_AGC_ON	0	R/W	This bit disables the automatic gain control of the microphone preamplifier. 0: AGC disabled 1: AGC enabled	
4	MIC_OFF	0	R/W	This bit powers down the microphone preamplifier. <b>0: Microphone preamplifier enabled</b> 1: Microphone preamplifier disabled	
3	NO_LOWBAT_OFF	0	R/W	This bit disables the automatic power down function of the device with a low battery condition. <b>0: Low battery shutdown enabled</b> 1: Low battery shutdown disabled	
2	CP_OFF	0	R/W	This bit disables the V <sub>NEG</sub> charge pump in case there is already a negative supply present in a system. <b>0: V<sub>NEG</sub> charge pump enabled</b> 1: V <sub>NEG</sub> charge pump enabled	
1	HPH_OFF	0	R/W	This bit allows the user to power down headphone amplifier in case it is not used in the final application in order to save system power. <b>0: Headphone amplifier enabled</b> 1: Headphone amplifier disabled	
0	LIN_OFF	0	R/W	This bit allows the user to power down the line input preamplifier in case it is not used in the final application in order to save system power. <b>0: Line Input amplifier enabled</b> 1: Line Input amplifier disabled	

**Figure 100:**  
**MODE\_2 Register Description**

Name		Address		Default Value
MODE_2		0x35		0x00
This register controls miscellaneous settings of the AS3515/35.				
Bit	Bit Name	Default	Access	Bit Description
7	TEST_BIT_7	1	R/W	Test register. Please do not write this register.
3	MICS_DC_OFF	0	R/W	This bit disables the internal microphone supply discharge function if the microphone supply is switched off. <b>0: MICS discharge enabled</b> 1: MICS discharge disabled
2	DELAY_HPH_MUX	0	R/W	With this bit it is possible to delay the HPH_MUX setting during startup of the device to avoid unwanted pop noise in case of long charging times of external components. <b>0: HPH_MUX_OTP delay disabled</b> 1: HPH_MUX_OTP delay enabled
1	HPH_MODE	0	R/W	This register controls the operating mode of the headphone amplifier. The headphone amplifier supports single ended mode and differential mode. In differential output mode the right audio signal path is the active input signal for the headphone amplifier. <b>0: Stereo single ended mode</b> 1: Mono differential mode
0	I2C_MODE	0	R/W	This bit enables I <sup>2</sup> C power down of the AS3415/35. <b>0: I<sup>2</sup>C power down disabled</b> 1: I <sup>2</sup> C power down enabled via PWR_HOLD bit.

## Evaluation Registers

Figure 101:  
EVAL Register Description

Name		Address		Default Value
EVAL		0x3D		0x00
This register enables miscellaneous operating modes, that are typically controlled via slide switch or push button, for evaluation purposes or MCU controlled applications.				
Bit	Bit Name	Default	Access	Bit Description
7	EVAL_ON	0	R/W	Function to be defined.
5	MASTER_LIN_MUTE	0	R/W	This register is the master register for the line input mute function. No matter in what operating mode the device is working the LINE_MUTE bit overrules any other setting in any operation mode. <b>0: Line Input master mute disabled</b> 1: Line Input master mute enabled
4	MASTER_MIX_ENABLE	0	R/W	This register is the master register for the mixer input function. No matter in what operating mode the device is working the MASTER_MIX_ENABLE bit overrules any other setting in any operation mode. <b>0: Line Input master mute disabled</b> 1: Line Input master mute enabled
3	MON_MODE	0	R/W	This bit enables the monitor mode of AS3415/35 which can normally be enabled by pulling the MODE pin to $V_{BAT}/2$ . In case an MCU is connected to the device the Monitor mode can be enabled by setting this bit. <b>0: Monitor mode deactivated</b> 1: Monitor mode activated
2	PBO_MODE	0	R/W	This bit enables the playback mode of AS3415/35 which can normally be enabled by pulling the ANC pin to 0V. In case an MCU is connected to the device the Monitor mode can be enabled by setting this bit. <b>0: Monitor mode deactivated</b> 1: Monitor mode activated
1	MICL_MUTE	0	R/W	This register is the master mute register for the left microphone amplifier. No matter in what operating mode the device is working the MICL_MUTE bit overrules any other setting in any operation mode. <b>0: Mute disabled</b> 1: Mute enabled
0	MICR_MUTE	0	R/W	This register is the master mute register for the left microphone amplifier. No matter in what operating mode the device is working the MICR_MUTE bit overrules any other setting in any operation mode. <b>0: Mute disabled</b> 1: Mute enabled

**Figure 102:**  
**CONFIG\_1 Register Description**

Name		Address		Default Value	
CONFIG_1		0x3E		0x00	
This bit controls the OTP programming clock source.					
Bit	Bit Name	Default	Access	Bit Description	
3	EXTBURNCL	0	R/W	This register controls the clock source for OTP programming. Typically the internal clock is being used for OTP programming. <b>0: External burn clock disabled</b> <b>1: External burn clock enabled</b>	

**Figure 103:**  
**CONFIG\_2 Register Description**

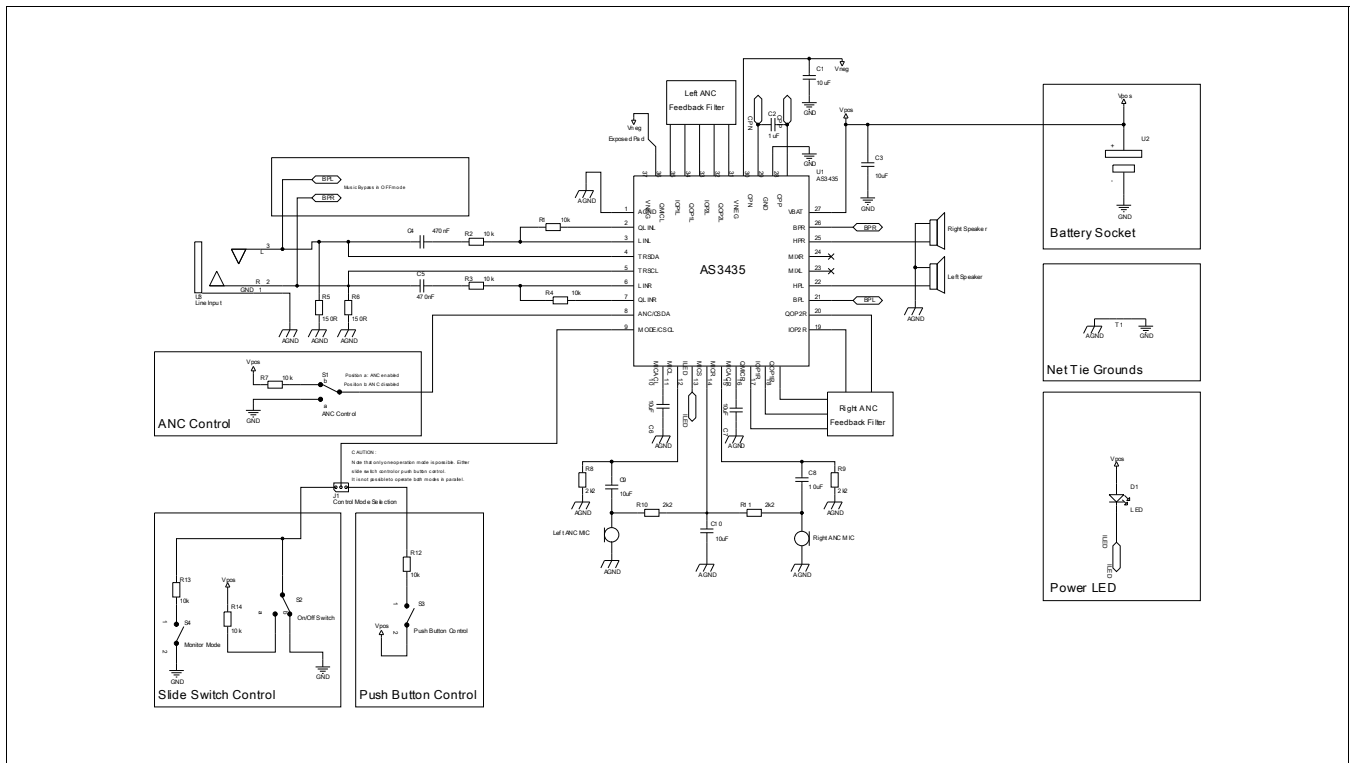
Name		Address		Default Value	
CONFIG_2		0x3F		0x00	
This register controls the register access to all OTP registers. In order to get access to these registers it is necessary to set REG3F_ON bit to '1'.					
Bit	Bit Name	Default	Access	Bit Description	
5	TM34	0	R/W	This Register defines the register bank selection for register 0x30-0x35 and 0x10-0x17. Depending on TM34 you can select either between Register bank 0x10-0x17 or 0x30h-0x34. <b>0: Test mode Registers 14h-17h and 10h-13h disabled test mode Registers 30h-33h and 34h-37h enabled</b> <b>1: Test mode Registers 14h-17h and 10h-13h enabled test mode Registers 30h-33h and 34h-37h disabled</b>	
4	BURNSW	0	R/W	This register controls the internal buffer switch from line input to V <sub>NEG</sub> for V <sub>NEG</sub> buffering during OTP programming. <b>0: BURN switch disabled</b> <b>1: BURN switch enabled</b>	
3	TM_REG34-35	0	R/W	<b>0: Register 34h-35h disabled</b> <b>Register 14h-17h disabled</b> <b>1: Register 34h-35h enabled</b> Register 14h-17h enabled	
2	TM_REG30-33	0	R/W	<b>0: Register 30h-33h disabled</b> <b>Register 10h-13h disabled</b> <b>1: Register 30h-33h enabled</b> Register 10h-13h enabled	

Name		Address		Default Value
CONFIG_2		0x3F		0x00
This register controls the register access to all OTP registers. In order to get access to these registers it is necessary to set REG3F_ON bit to '1'.				
Bit	Bit Name	Default	Access	Bit Description
1:0	OTP_MODE<1:0>	00	R/W	This register controls the OTP access. <b>00: READ</b> 01: LOAD 10: WRITE 11: BURN



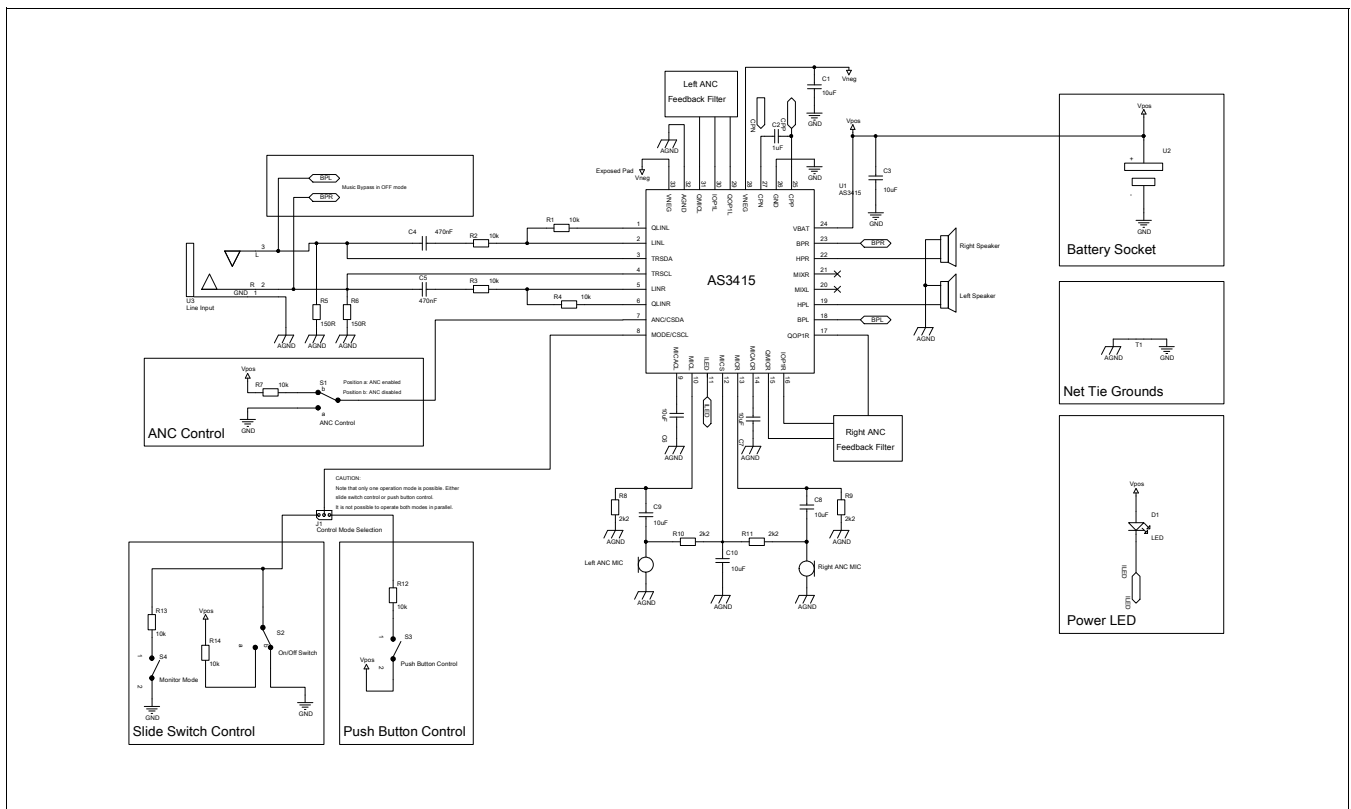
## Application Information

**Figure 104:**  
AS3435 Stereo Feedback Application Example



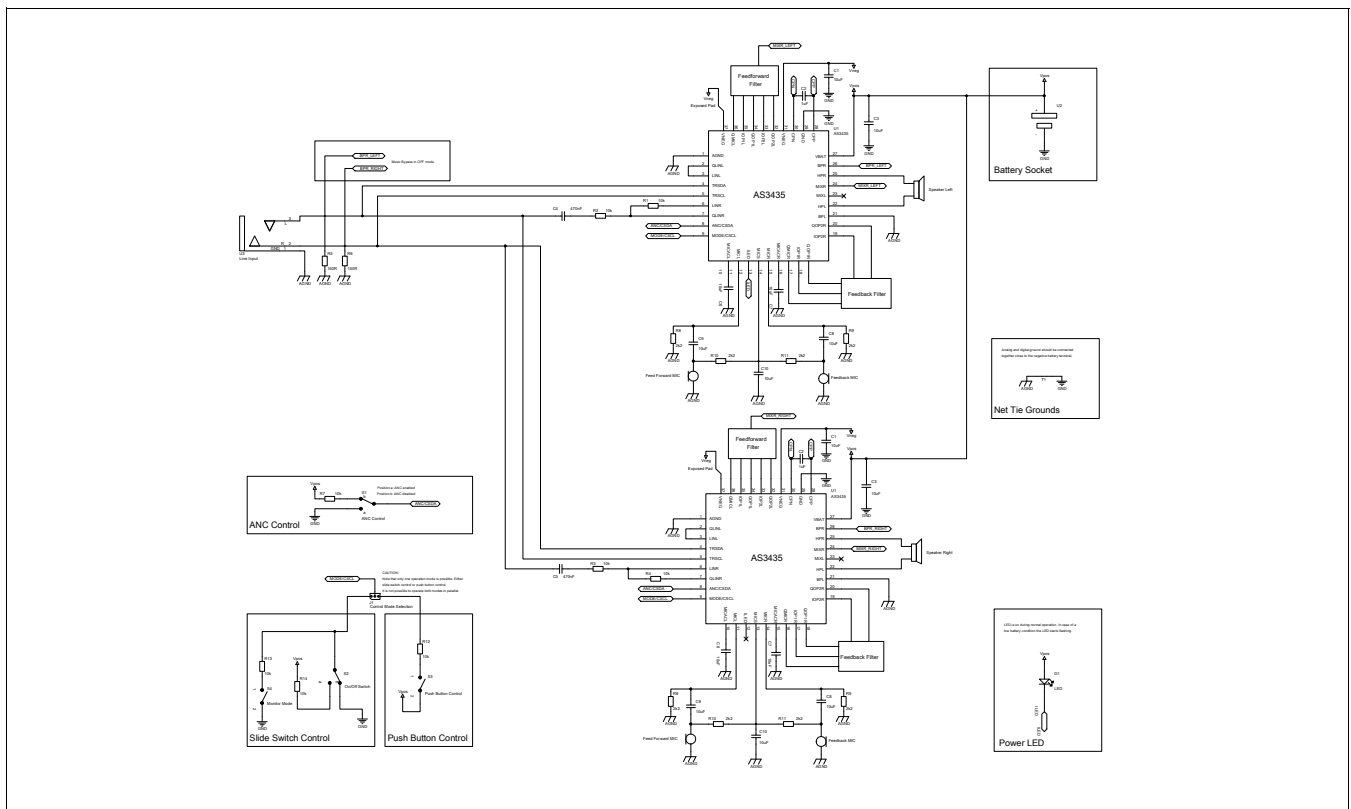
**AS3435 Stereo Feedback Example:** This application example shows a single AS3435 in feedback configuration with activated music bypass mode in off mode.

Figure 105:  
AS3415 Stereo Feed Forward Application Example



AS3415 Stereo Feed-forward Example: This application example shows a single AS3415 in feed-forward configuration with activated music bypass mode in off mode.

**Figure 106:**  
AS3435 Hybrid Application Example



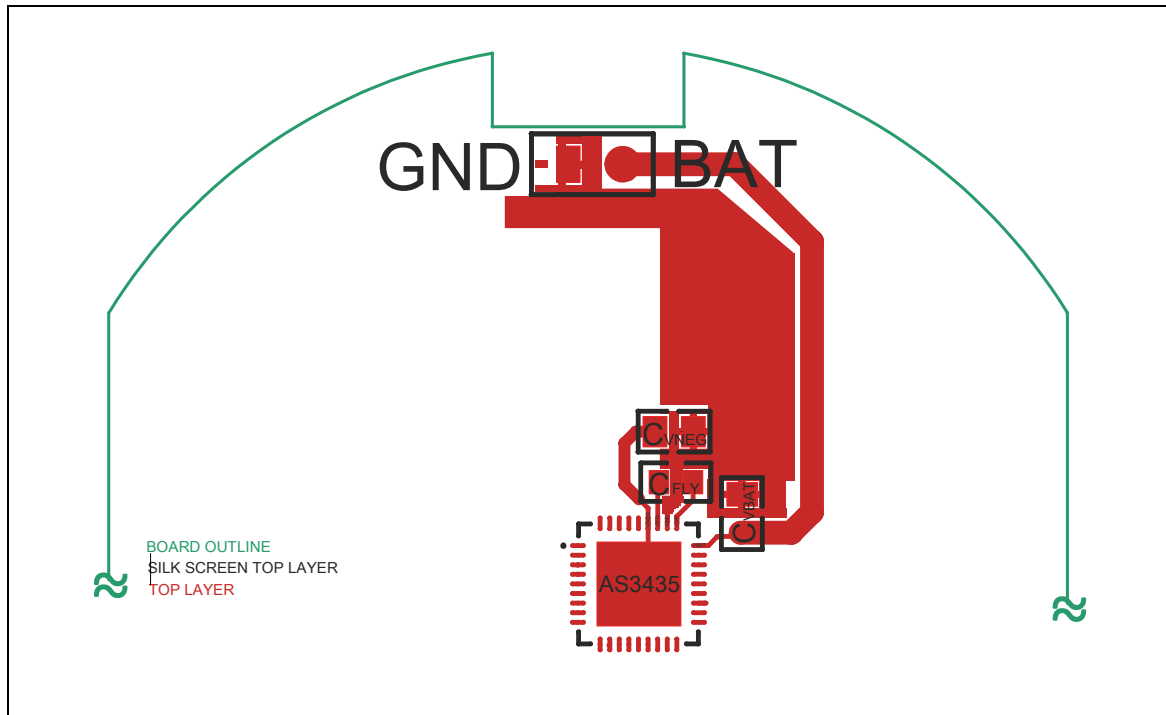
**AS3435 Hybrid Example:** This application example shows two AS3435 in hybrid configuration with activated music bypass mode in off mode.

## PCB Layout Recommendation

### Charge Pump

The Printed Circuit Board (PCB) layout of the charge pump is essential for good audio performance. The layout recommendation shown in Figure 107 shows the most important components of the charge pump. These are  $C_{VBAT}$ ,  $C_{FLY}$ ,  $C_{VNEG}$  and the battery terminal. To guarantee lowest output noise all three capacitors must be placed as close as possible to the related pin on the AS3435/15 as shown in Figure 1 & Figure 107. Additionally, it is recommended that the ground pins on  $C_{VNEG}$ ,  $C_{VBAT}$  and the AS3435/15 charge pump pin (GND) have a short connection to each other. This will avoid distribution of high frequency switching currents over the PCB. All the ground pins should be connected with a single ground plane or at least a strong connection directly to the battery terminal. The layout example shown in Figure 107 makes use of a ground plane on the top layer that is directly connected to the negative battery terminal to feature a star shaped ground concept.

Figure 107:  
Charge Pump Layout Recommendation



**AS3435 Charge Pump Layout Recommendation:** This diagram shows the layout recommendation of the AS3435 charge pump.

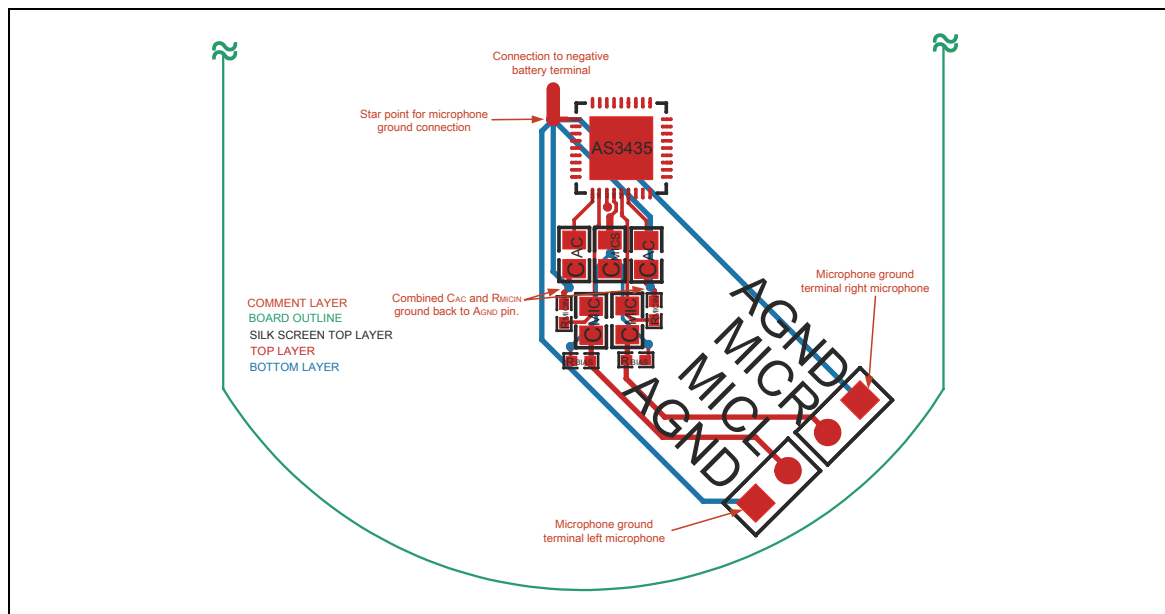
#### Charge Pump Ground Layout:

It is important to minimize the ground loops between all charge pump components and AGND pin. A dedicated ground plane with a connection back to the negative battery terminal should be used.

## Microphone

For the microphone preamplifier layout the designer must pay special attention; the combination of bad layout and gain values up to +20dB can cause unwanted noise. To minimize noise, a layout example is shown in Figure 108 which is based on the schematic shown in Figure 20. All microphone related components which include DC blocking capacitors, bias resistors as well as high pass filter components should be placed according to Figure 108. Once the component placement is done it is important to route the different ground connections of all components correctly. For the microphone preamplifier a local star shaped ground concept should be used, with AGND pin defined as star point. Basically we have two important ground pairs. The first are the microphone grounds next to MICR and MICL terminals. These ground pins need a separate ground connection back to the AS3515/35 AGND pin. A separate left and right ground line is recommended rather than using a single microphone ground line back to the star point at AGND. The second important connections are the ground terminals of  $C_{AC}$  and  $R_{MICIN}$ . They should be fed back to the AGND pin. Figure 108 shows the separation of left and right channel. The ground pads of  $C_{AC}$  and  $R_{MICIN}$  are connected together and routed back to AGND pin of AS3415/35.

**Figure 108:**  
Microphone Layout Recommendation



**AS3415/35 Microphone Layout Recommendation:** This diagram shows the layout recommendation for the AS3415/35 microphone preamplifier with all necessary peripheral components for operation.

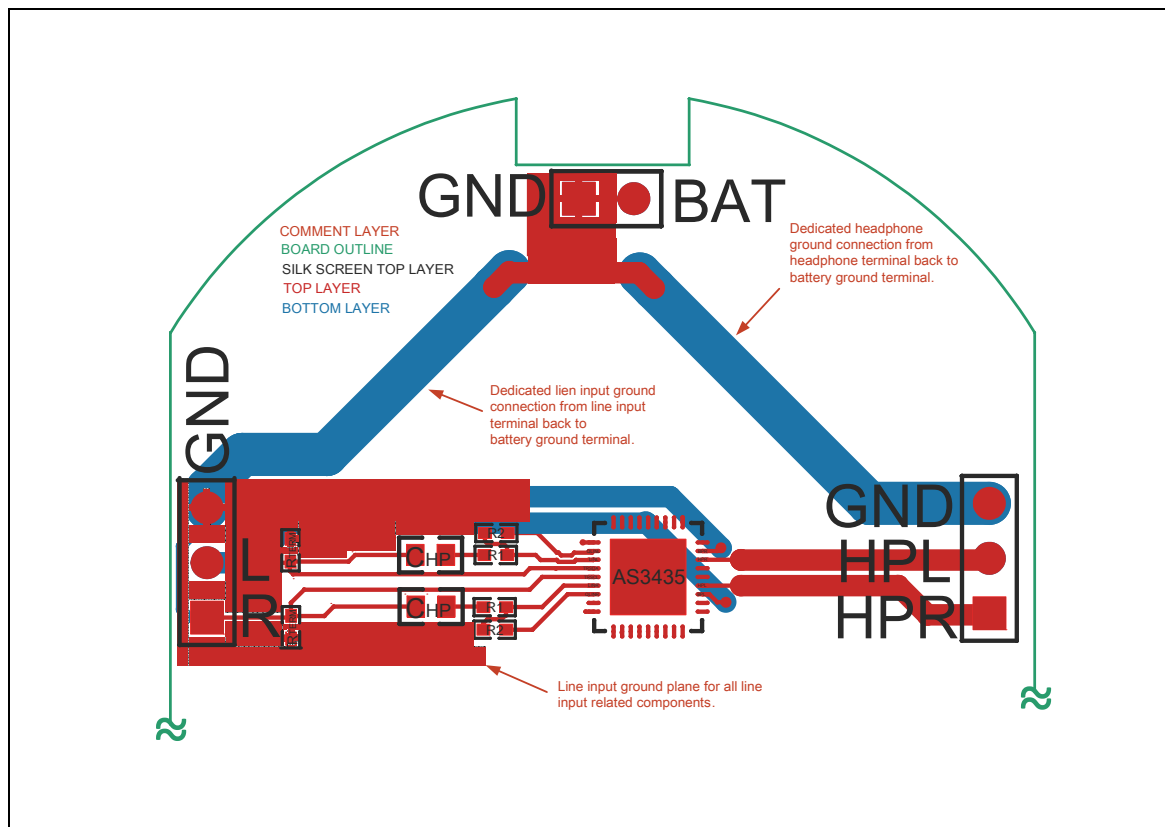
### Microphone Ground Layout:

Use separate ground connections for microphone inputs back to the AGND pin. The ground connection of  $C_{AC}$  and  $R_{MICIN}$  should also make use of a dedicated connection back to AGND pin of AS3415/35.

## Line Input and Headphone

The line input- and the headphone amplifier are blocks with higher system currents; therefore it is important to separate these high input and output currents from the rest of the system. The example shown in [Figure 109](#) demonstrates how to do a proper ground layout for both blocks. To separate the headphone amplifier from the rest of the system it is recommended to route a dedicated ground connection from the headphone amplifier terminal back to the battery ground terminal of the device. With this separate ground connection the high output currents of the headphone amplifier do not influence the sensitive analog ground of the chipset. The same layout technique is applicable for the line input amplifier. The line input amplifier also has higher input currents because of the  $150\Omega$  termination resistors ( $R_{\text{TERM}}$ ) connected to the line input terminal shown in [Figure 10](#). To avoid unwanted ground currents influencing the sensitive analog system ground of the AS3415/35, it is recommended to route a dedicated ground connection from the line input terminal back to the negative battery terminal of the PCB. The example shows a local ground plane from the battery, to the line input terminals. Such a plane should be used for more complicated line input filters. Thus, all line input related components like  $R_{\text{TERM}}$ ,  $C_{\text{HP}}$ ,  $R_1$  and  $R_2$  as well as other additional filter components should be connected to this ground plane. The ground plane must be connected to the battery terminal, at a single point, for best grounding effect. Another important connection is the bypass connection from line input terminal to the BPL and BPR pins of the AS3415/35. This connection is active if the chip is in off mode or if the device has run out of battery. It is important to use wide signal lines for these connections. The wider these connections are, the better it is for the application. The same is true for the ground connections of the headphone amplifier and the line input amplifier. A weak signal line can directly influence the channel separation of the system. A minimum signal width of 1mm is typically recommended for the left and right audio channels and 2mm for the audio ground signals.

**Figure 109:**  
Line Input and Headphone Layout Recommendation



**AS3415/35 Line Input and HPH Layout recommendation:** This diagram shows the layout recommendation of the AS3415/35 line input amplifier and the headphone amplifier.

#### Headphone Layout:

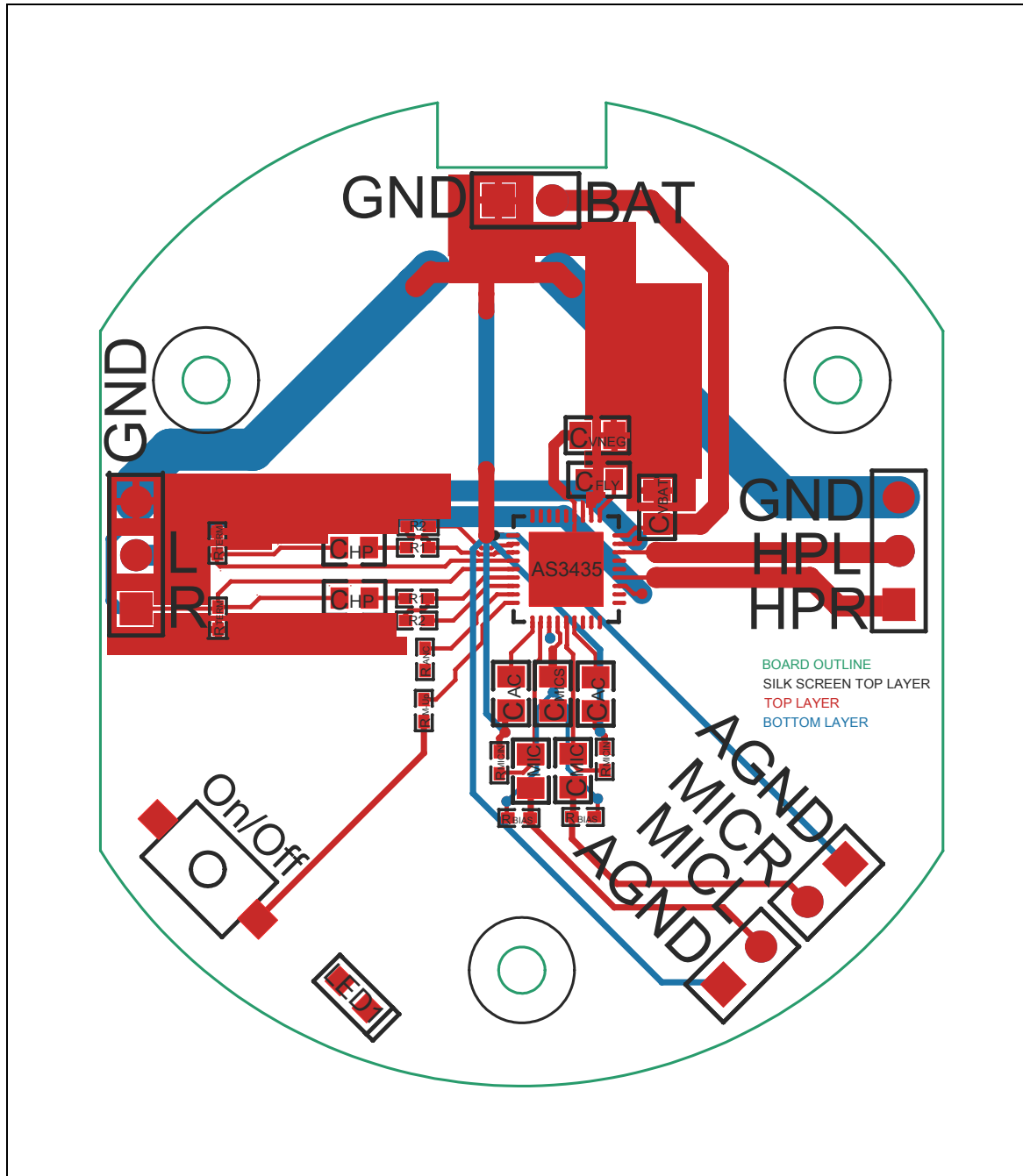
Use wide signal lines for line input ground, headphone ground and signal lines as well as for the music bypass lines. A weak signal line on any of these connections can influence channel separation of the device.

### AS3435 Complete Layout Example

**Layout Recommendations:**  
 All layout recommendations given in the examples are also applicable for the AS3415!

The combination of all layout recommendations given in the previous chapters are shown in Figure 110. It also includes a push button for on/off control and a status indication LED. It is important to say that all layout recommendations are also applicable for the AS3515.

Figure 110:  
 AS3435 Over the Ear Layout Example

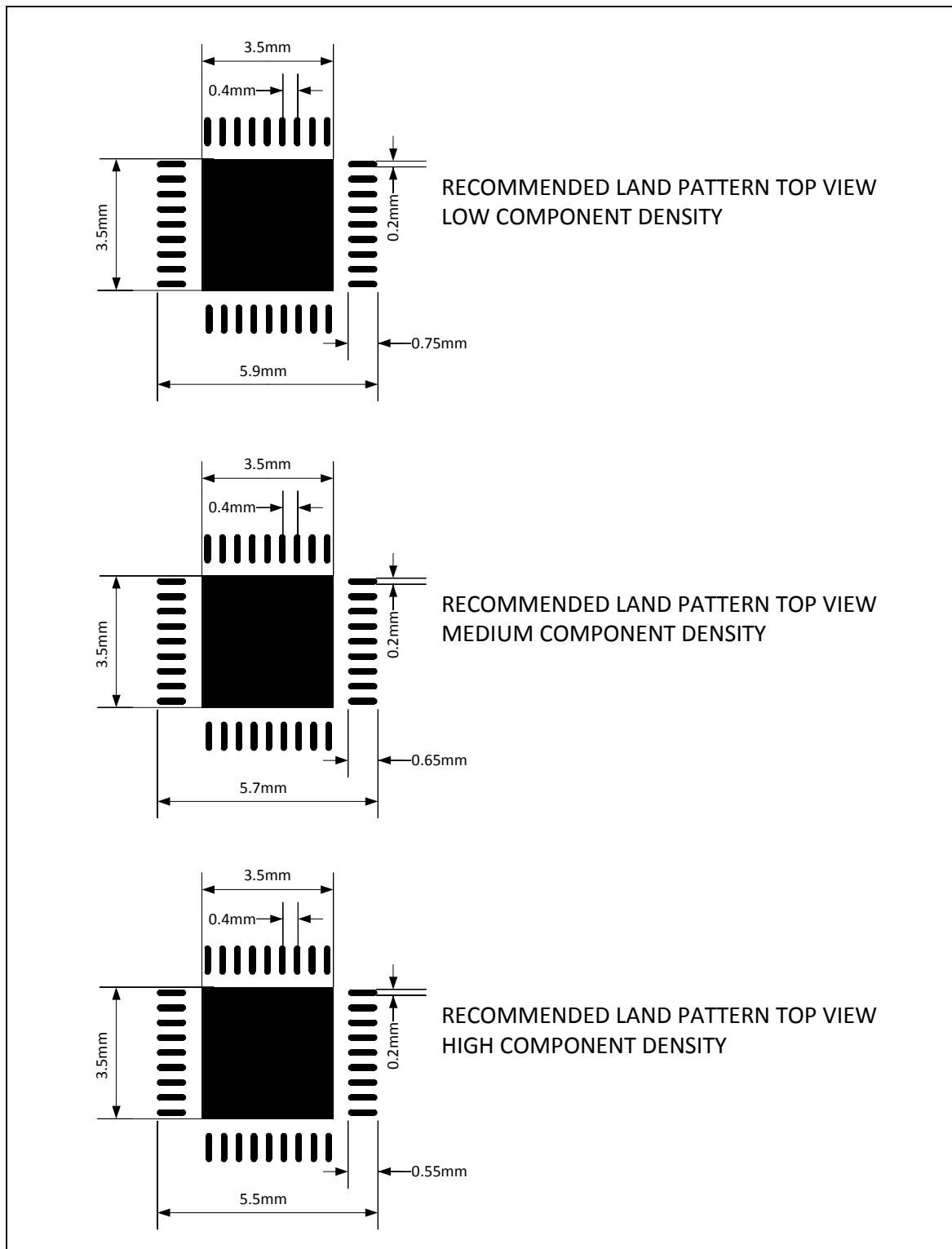


**AS3435 over the ear layout example:** This diagram shows the combination of all layout recommendations of a PCB. The PCB outline is based on an over the ear headset.



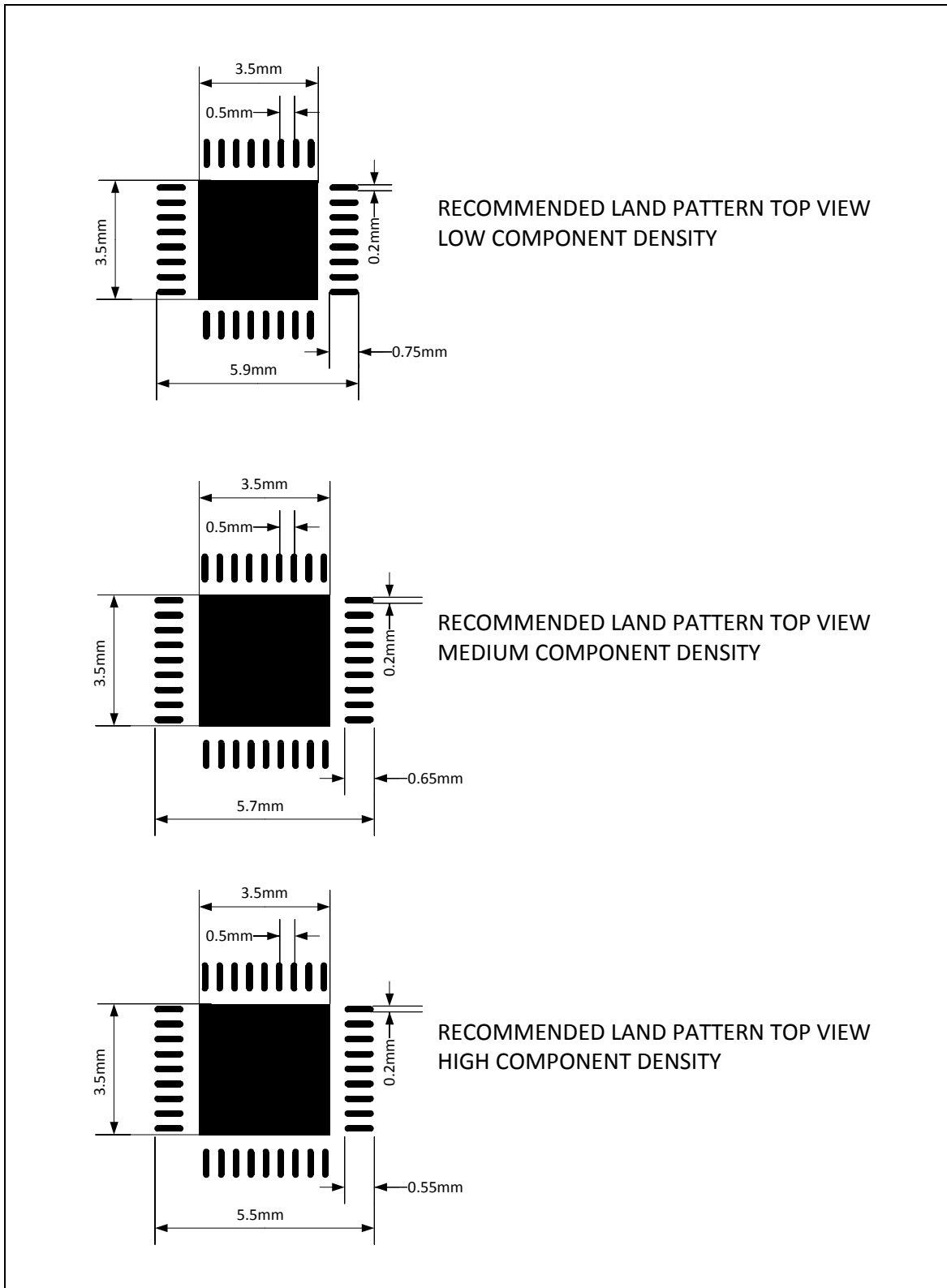
## PCB Pad Layout

**Figure 111:**  
**AS3435 PCB Pad Layout Recommendation**



**AS3435 PCB Pad Layout:** This drawing shows the PCB footprint layout recommendation for three different component density levels.

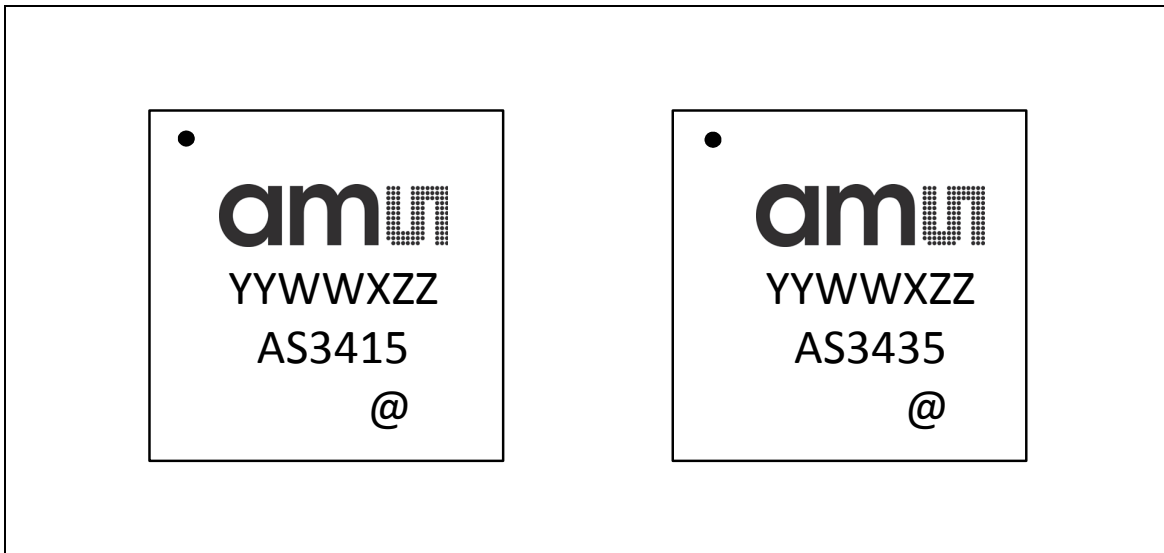
**Figure 112:**  
**AS3415 PCB Pad Layout Recommendation**



**AS3415 PCB Pad Layout:** This drawing shows the PCB footprint layout recommendation for three different component density levels.

## Package Drawings & Markings

**Figure 113:**  
QFN Marking

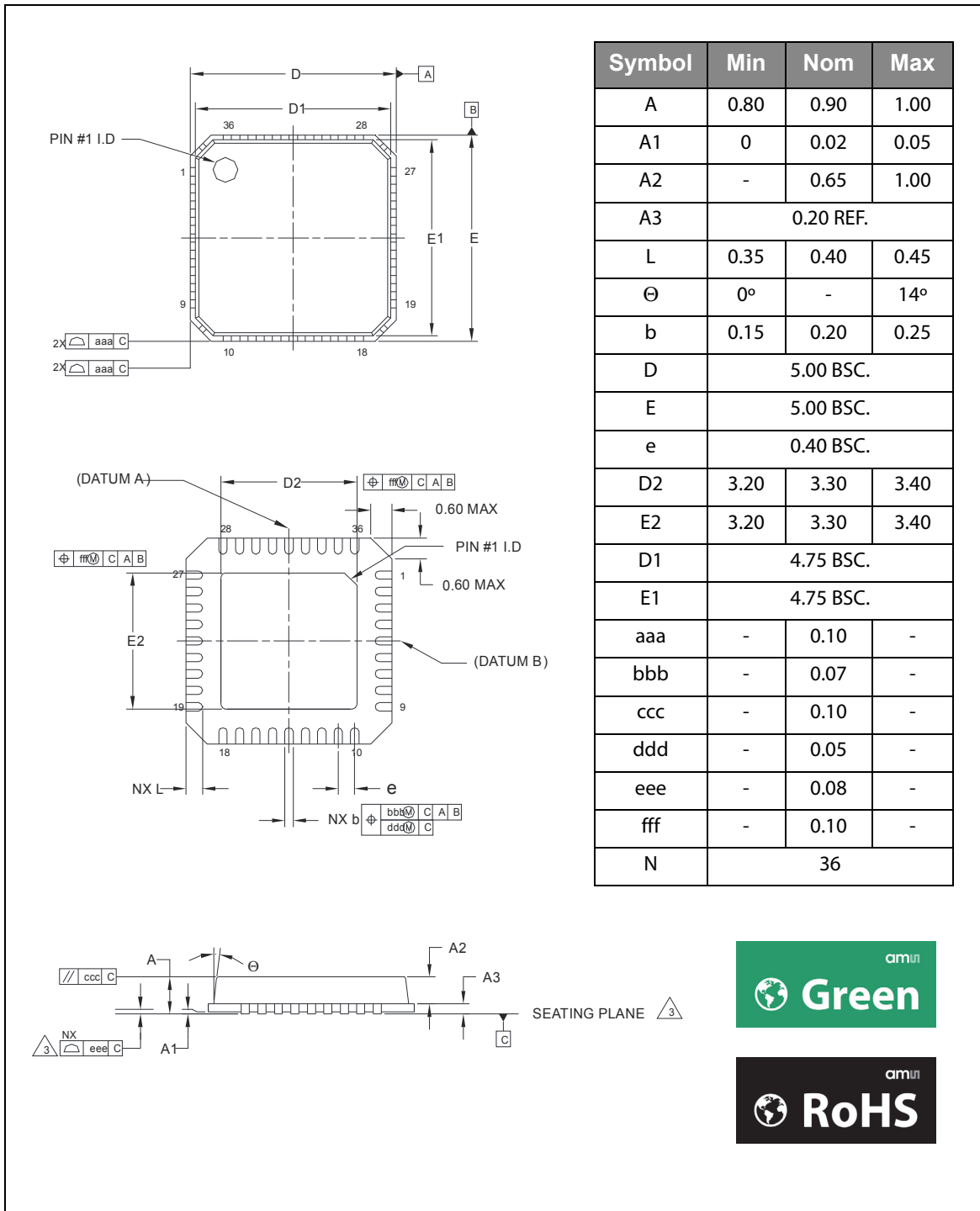


**QFN Marking:** Shows the package marking of the QFN product version.

**Figure 114:**  
Package Code YYWWIZZ

YY	WW	X	ZZ
Last two digits of the year	Manufacturing week	Plant identifier	Free choice/ traceability code

**Figure 115:**  
AS3435, 36-pin QFN, 0.4mm Pitch

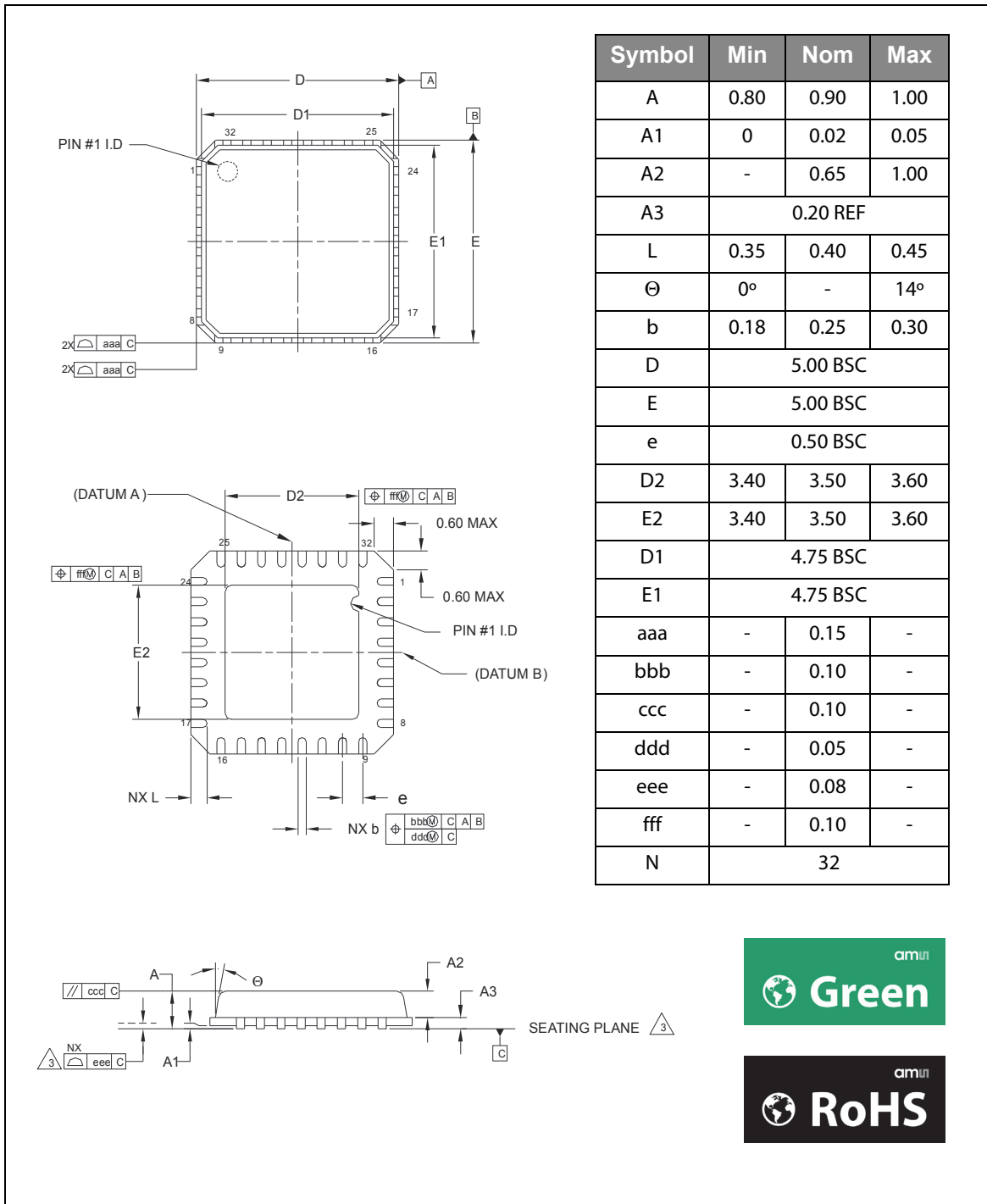


**Note(s) and/or Footnote(s):**

1. Dimensioning & tolerancing conform to ASME Y14.5M-1994.
2. All dimensions are in millimeters. Angles are in degrees.
3. Coplanarity applies to the exposed heat slug as well as the terminal.
4. Radius on terminal is optional.
5. N is the total number of terminals.



**Figure 116:**  
**AS3415, 32-pin QFN, 0.5mm Pitch**



**Note(s) and/or Footnote(s):**

1. Dimensioning and tolerancing conform to ASME Y14.5M-1994.
2. All dimensions are in millimeters. Angles are in degrees.
3. Coplanarity applies to the exposed heat slug as well as the terminal.
4. Radius on terminal is optional.
5. N is the total number of terminals.



## RoHS Compliant & ams Green Statement

**RoHS:** The term RoHS compliant means that ams products fully comply with current RoHS directives. Our semiconductor products do not contain any chemicals for all 6 substance categories, including the requirement that lead not exceed 0.1% by weight in homogeneous materials. Where designed to be soldered at high temperatures, RoHS compliant products are suitable for use in specified lead-free processes.

**ams Green (RoHS compliant and no Sb/Br):** ams Green defines that in addition to RoHS compliance, our products are free of Bromine (Br) and Antimony (Sb) based flame retardants (Br or Sb do not exceed 0.1% by weight in homogeneous material).

**Important Information:** The information provided in this statement represents ams knowledge and belief as of the date that it is provided. ams bases its knowledge and belief on information provided by third parties, and makes no representation or warranty as to the accuracy of such information. Efforts are underway to better integrate information from third parties. ams has taken and continues to take reasonable steps to provide representative and accurate information but may not have conducted destructive testing or chemical analysis on incoming materials and chemicals. ams and ams suppliers consider certain information to be proprietary, and thus CAS numbers and other limited information may not be available for release.

## Ordering & Contact Information

**Figure 117:**  
Ordering Information

Ordering Code	Description	Delivery Form	Package
AS3415-EQFP	Enhanced Low Noise Active Noise Cancelling Speaker Driver	Tape & Reel dry pack with 4000 pcs per reel	QFN 32 [5.0x5.0x0.9mm] 0.5mm pitch
AS3415-EQFM	Enhanced Low Noise Active Noise Cancelling Speaker Driver	Tape & Reel dry pack with 500 pcs per reel	QFN 32 [5.0x5.0x0.9mm] 0.5mm pitch
AS3435-EQFP	Enhanced Low Noise Active Noise Cancelling Speaker Driver	Tape & Reel dry pack with 4000 pcs per reel	QFN 36 [5.0x5.0x0.9mm] 0.4mm pitch
AS3435-EQFM	Enhanced Low Noise Active Noise Cancelling Speaker Driver	Tape & Reel dry pack with 500 pcs per reel	QFN 36 [5.0x5.0x0.9mm] 0.4mm pitch

**Ordering Information:** Shows the ordering information of the different packaging versions of the AS3415 and AS3435.

Buy our products or get free samples online at:

[www.ams.com/ICdirect](http://www.ams.com/ICdirect)

Technical Support is available at:

[www.ams.com/Technical-Support](http://www.ams.com/Technical-Support)

For further information and requests, e-mail us at:

[ams\\_sales@ams.com](mailto:ams_sales@ams.com)

For sales offices, distributors and representatives, please visit:

[www.ams.com/contact](http://www.ams.com/contact)

### Headquarters

ams AG  
Tobelbaderstrasse 30  
8141 Unterpremstaetten  
Austria, Europe

Tel: +43 (0) 3136 500 0

Website: [www.ams.com](http://www.ams.com)

## Copyrights & Disclaimer

Copyright ams AG, Tobelbader Strasse 30, 8141 Unterpremstaetten, Austria-Europe. Trademarks Registered. All rights reserved. The material herein may not be reproduced, adapted, merged, translated, stored, or used without the prior written consent of the copyright owner.

Devices sold by ams AG are covered by the warranty and patent indemnification provisions appearing in its Term of Sale. ams AG makes no warranty, express, statutory, implied, or by description regarding the information set forth herein. ams AG reserves the right to change specifications and prices at any time and without notice. Therefore, prior to designing this product into a system, it is necessary to check with ams AG for current information. This product is intended for use in commercial applications. Applications requiring extended temperature range, unusual environmental requirements, or high reliability applications, such as military, medical life-support or life-sustaining equipment are specifically not recommended without additional processing by ams AG for each application. This Product is provided by ams "AS IS" and any express or implied warranties, including, but not limited to the implied warranties of merchantability and fitness for a particular purpose are disclaimed.

ams AG shall not be liable to recipient or any third party for any damages, including but not limited to personal injury, property damage, loss of profits, loss of use, interruption of business or indirect, special, incidental or consequential damages, of any kind, in connection with or arising out of the furnishing, performance or use of the technical data herein. No obligation or liability to recipient or any third party shall arise or flow out of ams AG rendering of technical or other services.



## Reference Guide

<b>1</b>	<b>General Description</b>
1	Key Benefits & Features
2	Applications
2	Block Diagram
<b>4</b>	<b>Pin Assignment</b>
<b>5</b>	<b>Pin Description</b>
<b>7</b>	<b>Absolute Maximum Ratings</b>
<b>9</b>	<b>Electrical Characteristics</b>
<b>11</b>	<b>Detailed Description</b>
11	Audio Line Input
11	Line Input Gain Setting
12	High Pass EQ Function
14	Bass Boost EQ Function
17	Parameter
20	Microphone Inputs
21	Input Capacitor Selection
24	Parameter
27	Microphone Supply
28	Parameter
29	Headphone Amplifier
30	Parameter
35	Integrated Music Bypass Switch
36	Parameter
37	Operational Amplifier
38	Parameter
41	<b>System</b>
41	Power Up/Down Conditions
42	Start-Up Sequence
43	Modes of Operation
44	<i>Full Slider Mode</i>
45	<i>Slider Mode</i>
46	<i>Push Button Mode</i>
47	<i>Playback Only Mode</i>
47	LED Status Indication
48	VNEG Charge Pump
49	Parameter
49	OTP Memory & Internal Registers
51	OTP Read/Write and Load Access
52	OTP Fuse Storing
56	2-Wire Serial Interface
58	Protocol
61	Parameter
<b>63</b>	<b>Register Description</b>
65	System Registers
67	OTP Registers
78	Evaluation Registers
<b>81</b>	<b>Application Information</b>

**84 PCB Layout Recommendation**

84 Charge Pump

85 Microphone

86 Line Input and Headphone

88 AS3435 Complete Layout Example

**89 PCB Pad Layout****91 Package Drawings & Markings****94 RoHS Compliant & ams Green Statement****95 Ordering & Contact Information****96 Copyrights & Disclaimer**

# Mouser Electronics

Authorized Distributor

Click to View Pricing, Inventory, Delivery & Lifecycle Information:

[ams:](#)

[AS3415-EQFP](#) [AS3435-EQFM](#) [AS3435-EQFP](#) [AS3415-EQFM](#)



**Стандарт  
Электрон  
Связь**

Мы молодая и активно развивающаяся компания в области поставок электронных компонентов. Мы поставляем электронные компоненты отечественного и импортного производства напрямую от производителей и с крупнейших складов мира.

Благодаря сотрудничеству с мировыми поставщиками мы осуществляем комплексные и плановые поставки широчайшего спектра электронных компонентов.

Собственная эффективная логистика и склад в обеспечивает надежную поставку продукции в точно указанные сроки по всей России.

Мы осуществляем техническую поддержку нашим клиентам и предпродажную проверку качества продукции. На все поставляемые продукты мы предоставляем гарантию .

Осуществляем поставки продукции под контролем ВП МО РФ на предприятия военно-промышленного комплекса России , а также работаем в рамках 275 ФЗ с открытием отдельных счетов в уполномоченном банке. Система менеджмента качества компании соответствует требованиям ГОСТ ISO 9001.

Минимальные сроки поставки, гибкие цены, неограниченный ассортимент и индивидуальный подход к клиентам являются основой для выстраивания долгосрочного и эффективного сотрудничества с предприятиями радиоэлектронной промышленности, предприятиями ВПК и научно-исследовательскими институтами России.

С нами вы становитесь еще успешнее!

**Наши контакты:**

**Телефон:** +7 812 627 14 35

**Электронная почта:** [sales@st-electron.ru](mailto:sales@st-electron.ru)

**Адрес:** 198099, Санкт-Петербург,  
Промышленная ул, дом № 19, литера Н,  
помещение 100-Н Офис 331