

SIDE ROTARY

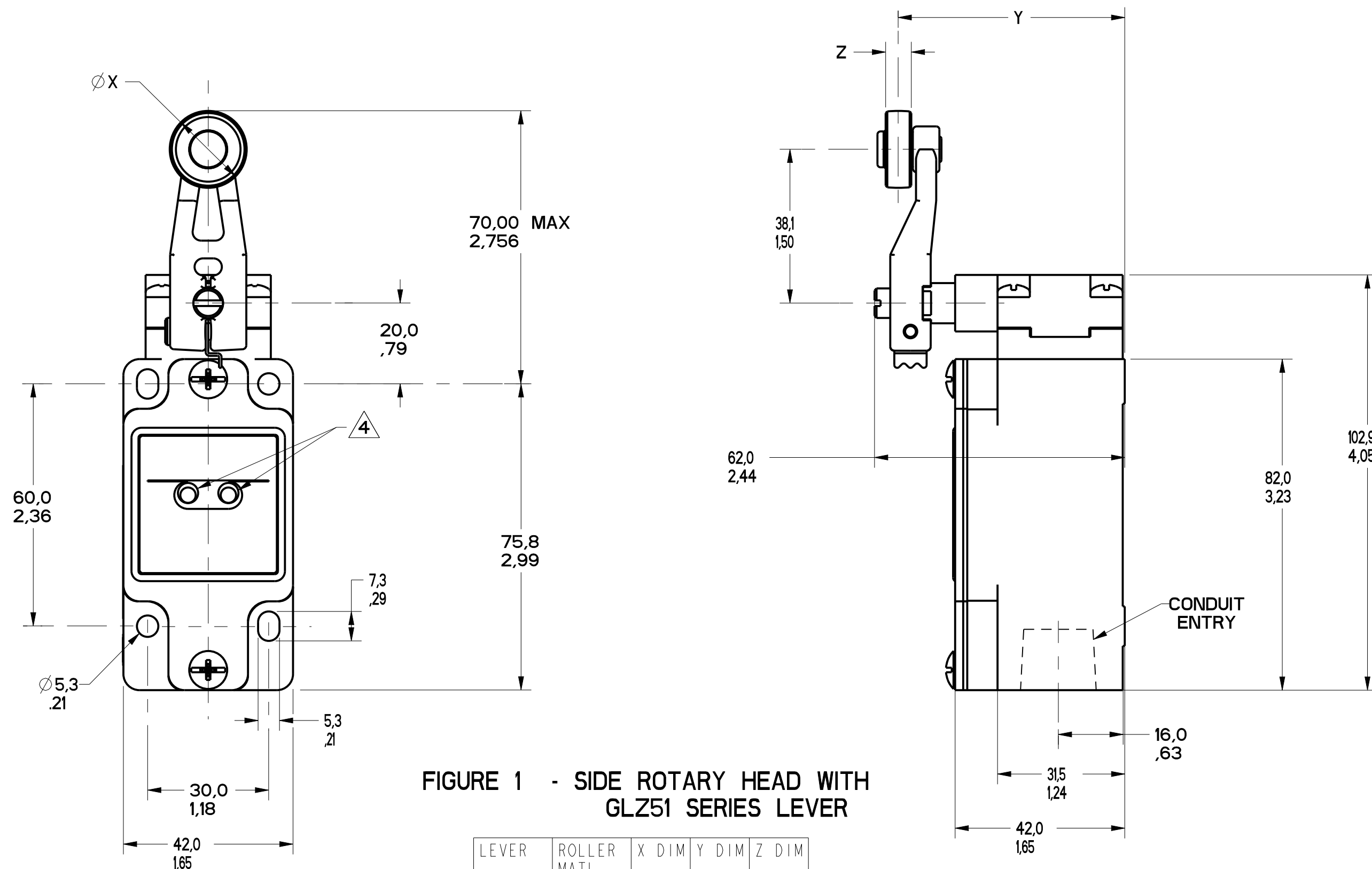


FIGURE 1 - SIDE ROTARY HEAD WITH GLZ51 SERIES LEVER

LEVER	ROLLER MATL	X DIM	Y DIM	Z DIM
GLZ51A	NYLON	19.1 .75	55.9 2.20	6.4 .25
GLZ51B	STEEL	19.1 .75	55.9 2.20	6.4 .25
GLZ51C	NYLON	24.5 1.00	59.1 2.33	12.7 .50
GLZ51Y	RUBBER	50.0 1.97	66.1 2.60	10.0 .39
GLZ51T	STAINLESS STEEL	19.1 .75	56.8 2.24	8.8 .345

GLZ54J: 200.00 / 7.870 MAX
GLZ54K: 140.00 / 5.510 MAX
ALUMINUM ROD

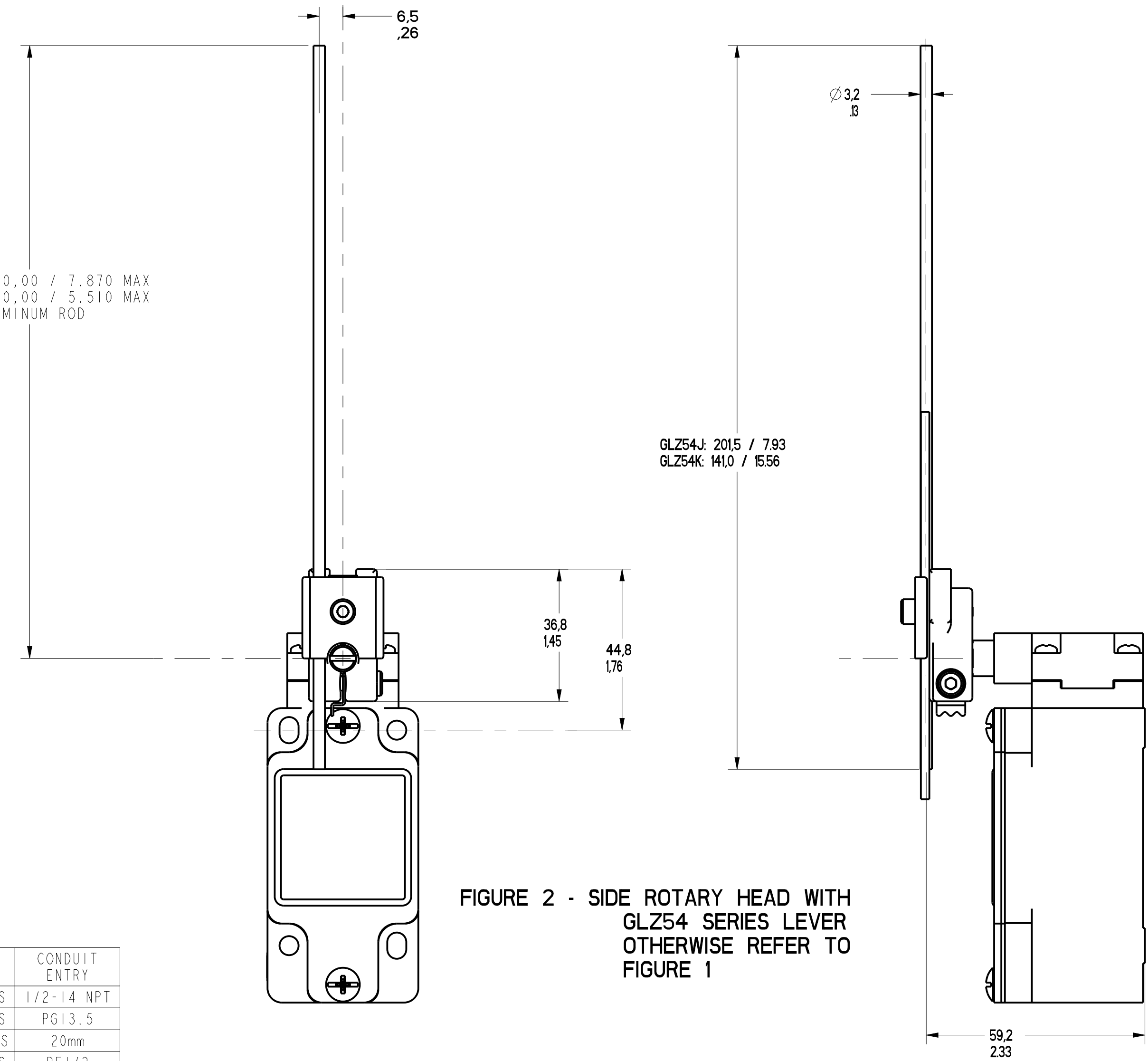


FIGURE 2 - SIDE ROTARY HEAD WITH GLZ54 SERIES LEVER OTHERWISE REFER TO FIGURE 1

FIGURE	CATALOG LISTING	CONDUIT ENTRY
IA	GL*A SERIES	1/2-14 NPT
IB	GL*B SERIES	PG13.5
IC	GL*C SERIES	20mm
ID	GL*D SERIES	PF1/2

ELECTRICAL RATING				GOLD PLATED CONTACTS
AC		DC		
A600 Ue	AC15 Ie	O300 Ue	DC13 Ie	
(VOLTS)	(AMPS)	(VOLTS)	(AMPS)	1V 10µA MIN 50V 100mA MAX
120	6	24	2.8	
240	3	125	.55	
380	1.9	250	.27	
480	1.5			
500	1.4			
600	1.2			

ENVIRONMENTAL RATING
IP67
NEMA/UL TYPES 1, 4, 12, 13

CATALOG LISTING	BODY DIMENSIONS, FIGURE	HEAD DIMENSIONS, FIGURE	HEAD ACTUATION, FIGURE
GLA****	I	N/A	N/A
GLF****	I	N/A	N/A
GLH****	I	N/A	N/A
GLA****	IA	N/A	N/A
GLB****	IB	N/A	N/A
GLC****	IC	N/A	N/A
GLD****	ID	N/A	N/A
GL****A1*	I	1	8
GL****A2*	I	3	9
GL****A4*	I	2	10
GL****A5*	I		8
GL****B	I	4	11
GL****C	I	5	13A, 13B
GL****D	I	6	14A, 14B
GL****E7A	I	7A	12
GL****E7B	I	7	12
GL****E7C	I	7E	15
GL****E7D	I	7B	12
GL****K8A	I	7C	15
GL****K8B	I	7D	15
GL****K8C	I	7	15

NOTES

- HEADS MAY BE INDEXED IN 90° INCREMENTS
- LEVERS MAY BE KEYED TO THE SHAFT AT 90° INCREMENTS. THEY MAY ALSO BE ATTACHED, BUT NOT KEYED ANYWHERE ON THE SHAFT.
- FOR ADDITIONAL LEVERS SEE "M" DRAWING CHART GLZ5
- THE LEFT INDICATOR IS GREEN AND INDICATES "POWER ON" IT IS ON GLH SERIES PRODUCTS ONLY. THE RIGHT INDICATOR IS YELLOW AND INDICATES "OUTPUT STATUS" IT IS ON GLF AND GLH SERIES PRODUCTS ONLY.
- THE MAXIMUM VOLTAGE, V_e OF GLF AND GLH SERIES PRODUCTS IS THE MAXIMUM RATED VOLTAGE OF INDICATION LIGHTS
- FREE POSITION, OPERATE POINT, OVERTRAVEL AND PRETRAVEL ALL TO EN50041
- CAM TRAVEL FOR FIG 9 ONLY APPLIES WHEN LEVER IS ADJUSTED TO 38.1 / 1.50
- THE MAXIMUM VOLTAGE, V_e OF "06" AND "36" BASIC SWITCH CODE IS 300V (A300) TEMPERATURE RANGE

(ALL PRODUCTS EXCEPT W/SIDE ROTARY OPERATING HEAD)
OPERATING: -25°C TO +85°C / -13°F TO +185°F
STORAGE: -40°C TO +85°C / -40°F TO +185°F
(PRODUCTS W/SIDE ROTARY OPERATING HEAD)
OPERATING: -40°C TO +85°C / -40°F TO +185°F
STORAGE: -40°C TO +85°C / -40°F TO +185°F

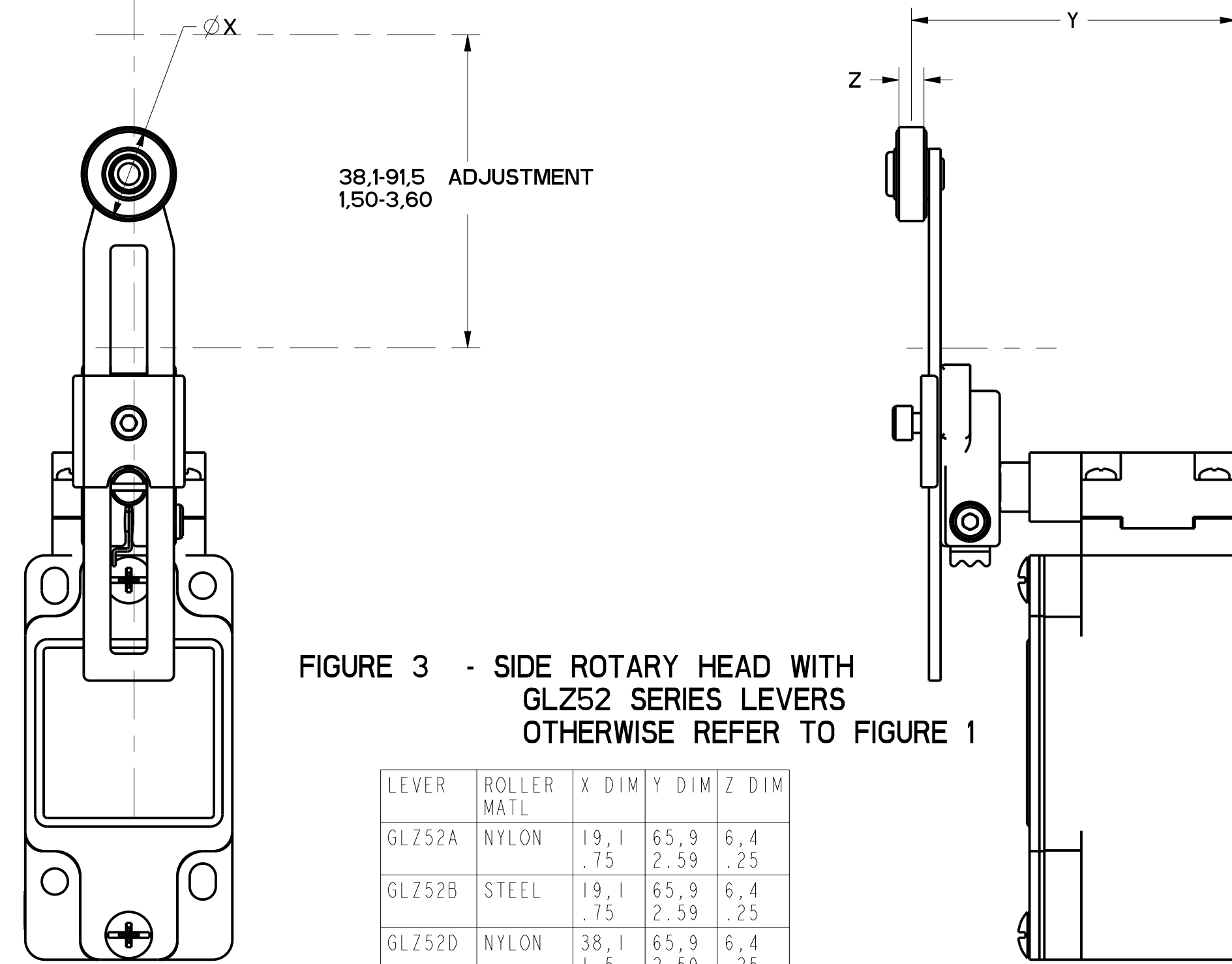


FIGURE 3 - SIDE ROTARY HEAD WITH GLZ52 SERIES LEVERS OTHERWISE REFER TO FIGURE 1

LEVER	ROLLER MATL	X DIM	Y DIM	Z DIM
GLZ52A	NYLON	19.1 .75	65.9 2.59	6.4 .25
GLZ52B	STEEL	19.1 .75	65.9 2.59	6.4 .25
GLZ52D	NYLON	38.1 1.5	65.9 2.59	6.4 .25
GLZ52E	NYLON	19.1 .75	79.37 3.125	33.07 1.300
GLZ52W	RUBBER	40.0 1.6	71.5 2.81	12.7 .5
GLZ52Y	RUBBER	50.0 1.97	68.8 2.71	10.0 .39

THIS DRAWING COVERS A PROPRIETARY ITEM AND IS THE PROPERTY OF MICRO SWITCH, A DIVISION OF HONEYWELL. THIS DRAWING IS NOT TO BE COPIED OR USED WITHOUT THE APPROVAL OF MICRO SWITCH.

FED. MFG. CODE 91929

MICRO SWITCH a Honeywell Division

SWITCH, ENCLOSED

CATALOG LISTING

GL SERIES CHART 1

THIRD ANGLE PROJECTION

SCALE: 1:1

DO NOT SCALE PRINT

TOLERANCES

APPLY TO DESIGN UNITS. CONVERSIONS ARE ONLY FOR REFERENCE, UNLESS NOTED. TOLERANCES ARE:

NO. PLACES	SI METRIC	US CUSTOMARY
ONE PLACE	X.1	0.125, 0.25, 0.5, 1.0
TWO PLACES	X.01	0.015, 0.03, 0.06, 0.125
THREE PLACES	X.001	0.002, 0.005, 0.01, 0.015, 0.03, 0.06, 0.125

DESIGN UNITS: SI METRIC (checked) US CUSTOMARY (unchecked)

WEIGHT

MGL SERIES CHART 1

DRAWING NUMBER: 16 OF 13

ISSUE: 16

DATE: 02/03/88

DESIGNED BY: S.A.V.

CHECKED BY: D.M.

DATE: 02/03/88

SCALE: 1:1

PROJ. NO.: 1200112

REV. NO.: 1

REV. DATE: 02/03/88

REV. BY: S.A.V.

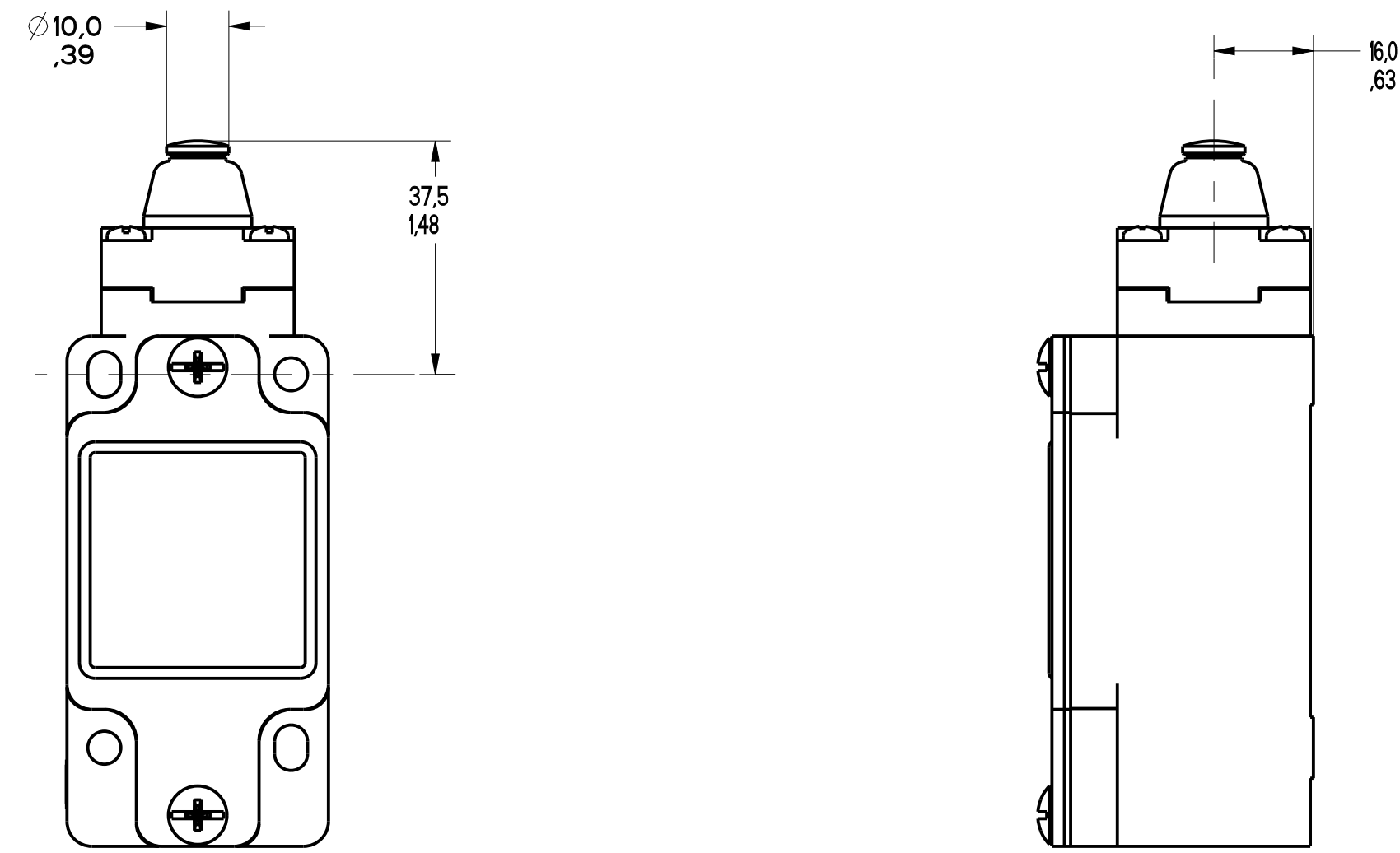


FIGURE 4 - TOP PIN PLUNGER HEAD
OTHERWISE REFER TO
FIGURE 1

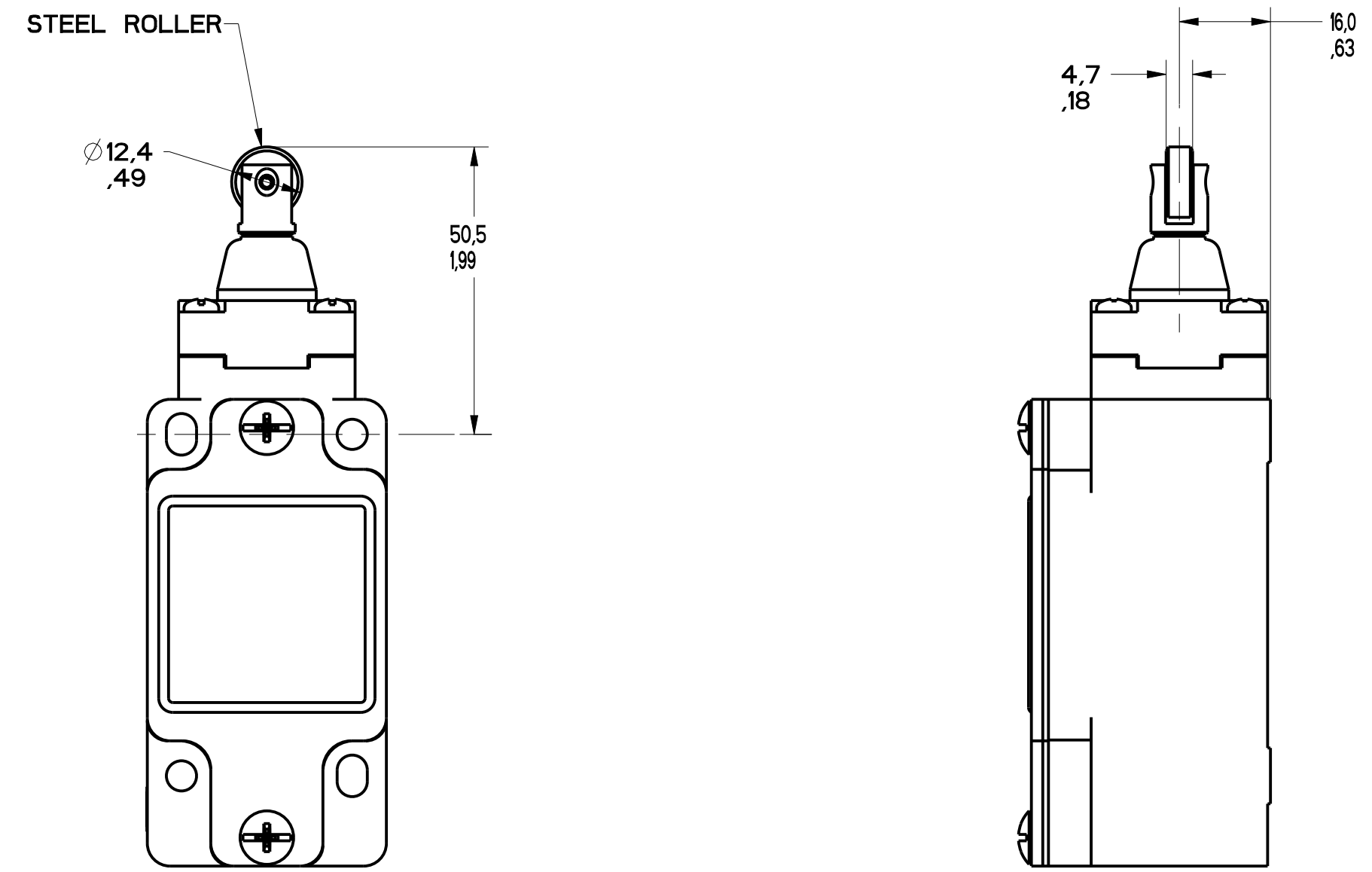


FIGURE 5 - TOP ROLLER PLUNGER HEAD
OTHERWISE REFER TO
FIGURE 1

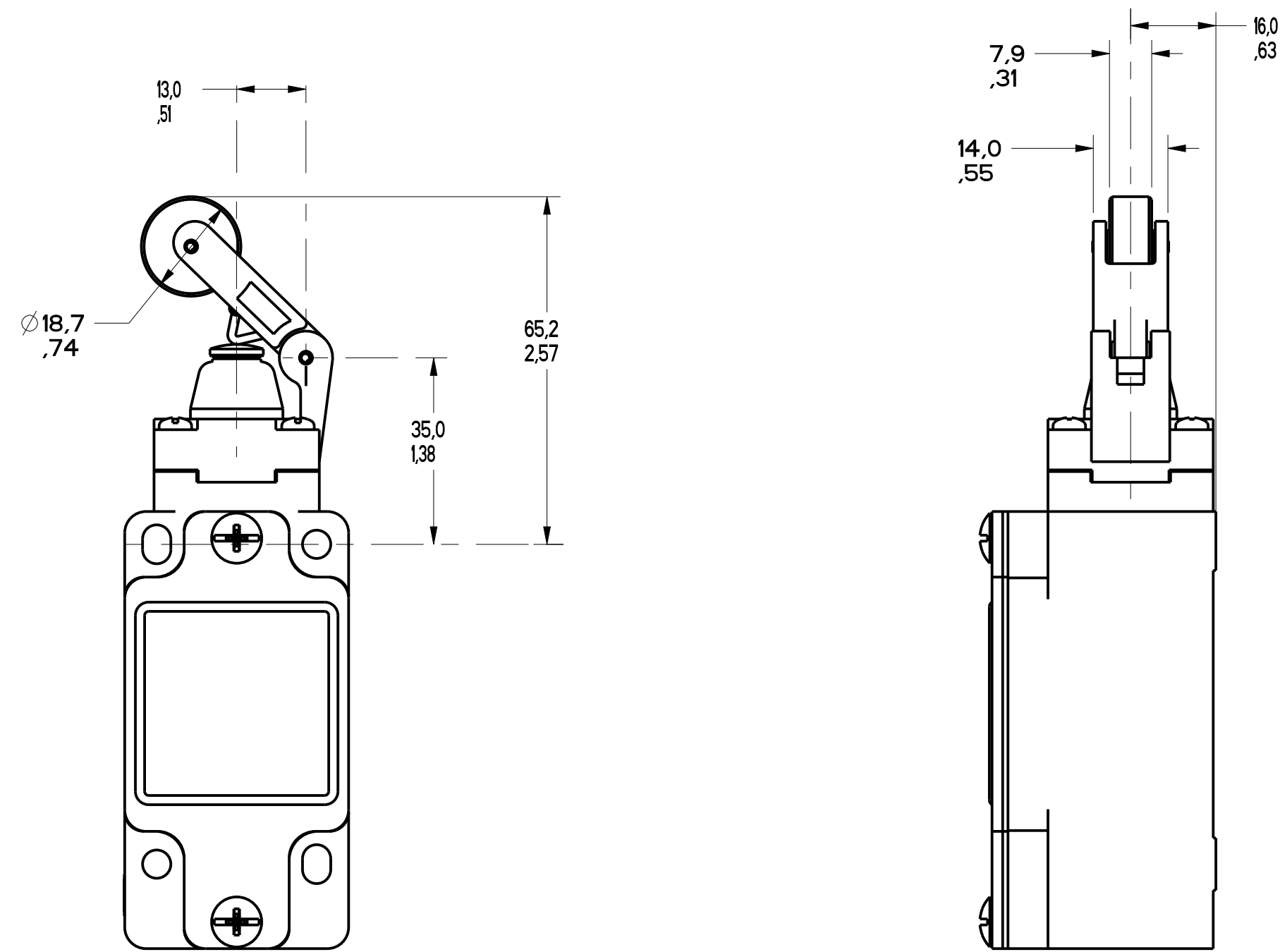


FIGURE 6 - TOP LEVER HEAD,
OTHERWISE REFER TO
FIGURE 1

MGL SERIES CHART 1
 DRAWING NUMBER: 2 OF 13
 RELEASE NO. PR-201782
 ISSUE: 16
 PTC/CAD
 W. L. S. 26 AUG 83
 CHECK: G.L.H.

REV	DATE	BY	CHKD	DESCRIPTION
1	0005041			
2	0011054			
3	0022986			
4	0022987			
5	0022988			
6	0037216			
7	0043629			
8	0043629			
9	0046895			
10	0046895			
11	0046895			
12	0046895			
13	0046895			
14	0046895			
15	0046895			
16	0046895			
17	0046895			
18	0046895			
19	0046895			
20	0046895			

THIS DRAWING COVERS A PROPRIETARY ITEM AND IS THE PROPERTY OF MICRO SWITCH, A DIVISION OF HONEYWELL. THIS DRAWING IS NOT TO BE COPIED OR USED WITHOUT THE APPROVAL OF MICRO SWITCH. FED. MFG. CODE 91929		CATALOG LISTING	
MICRO SWITCH a Honeywell Division	SWITCH, ENCLOSED	GL SERIES CHART 1	
DESIGN UNITS: <input checked="" type="checkbox"/> SI METRIC <input type="checkbox"/> US CUSTOMARY	ANGLE UNITS: <input checked="" type="checkbox"/> 2° <input type="checkbox"/> 10°	TOLERANCES APPLY TO DESIGN UNITS. CONCESSIONS ARE ONLY FOR REFERENCE, UNLESS NOTED. TOLERANCES ARE:	THIRD ANGLE PROJECTION SCALE: 1:1 DO NOT SCALE PRINT

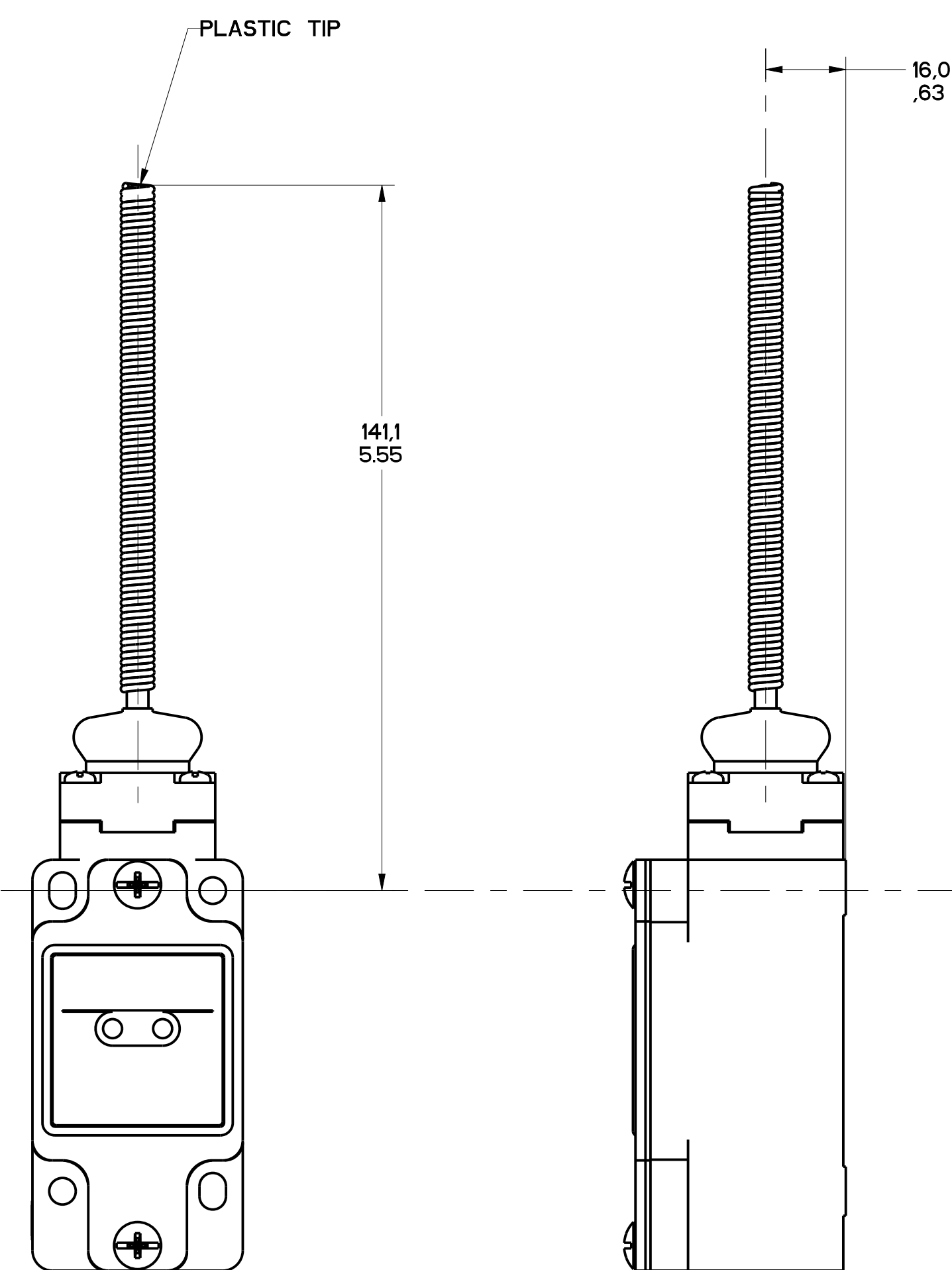


FIGURE 7 - WOBBLE HEAD, AND CAT WISKER HEAD COIL ACTUATOR, OTHERWISE REFER TO FIGURE 1

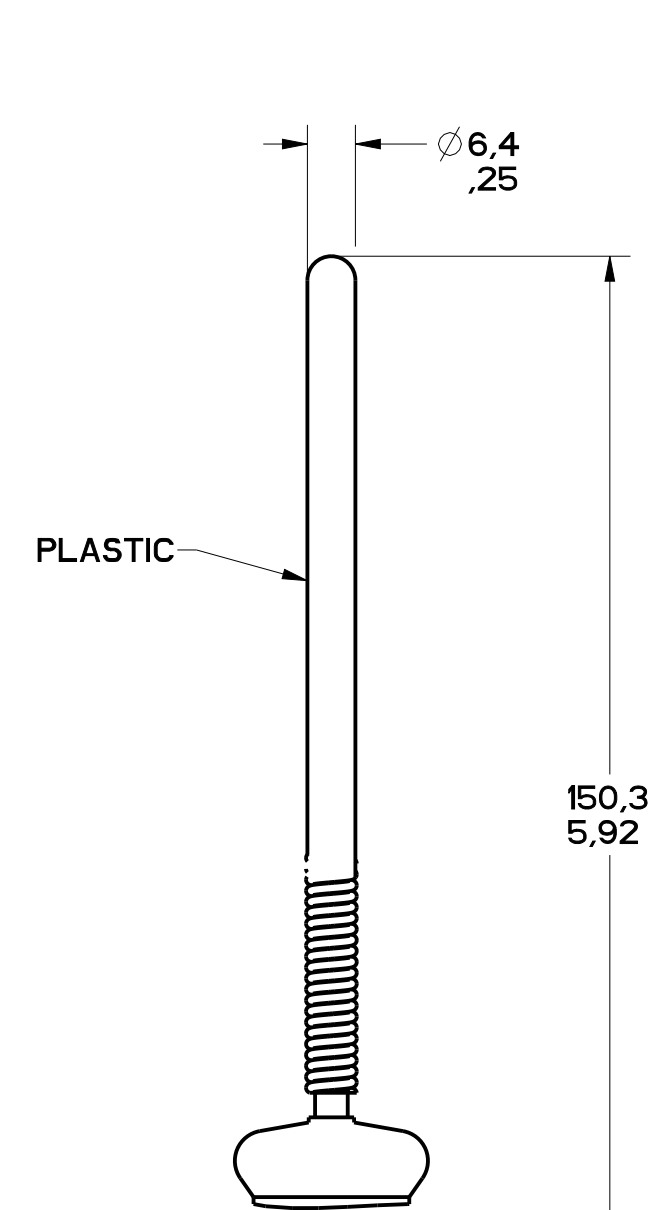


FIGURE 7A - WOBBLE HEAD, PLASTIC ACTUATOR, OTHERWISE SAME AS FIGURE 7

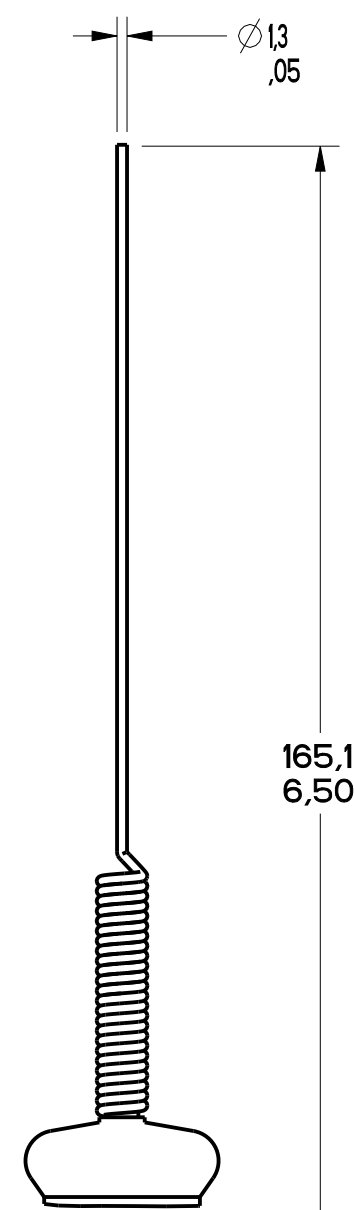


FIGURE 7B - WOBBLE HEAD, STAINLESS STEEL SPRING ACTUATOR, OTHERWISE SAME AS FIGURE 7

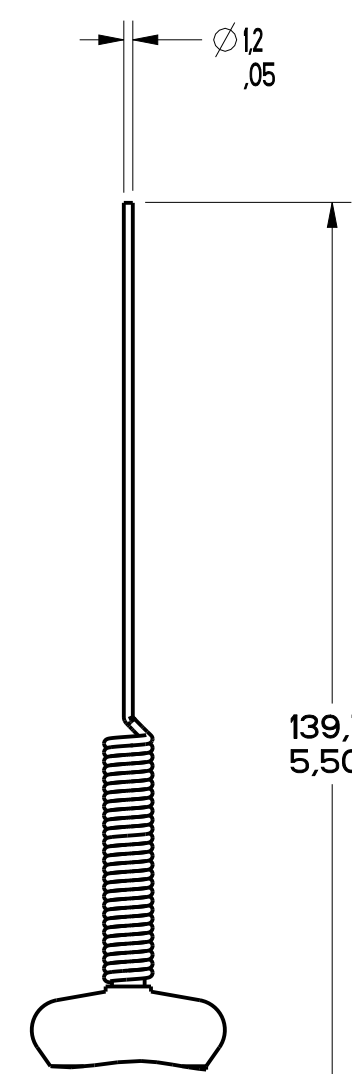


FIGURE 7C - CAT WHISKER ACTUATOR, STAINLESS STEEL SPRING, OTHERWISE SAME AS FIGURE 7

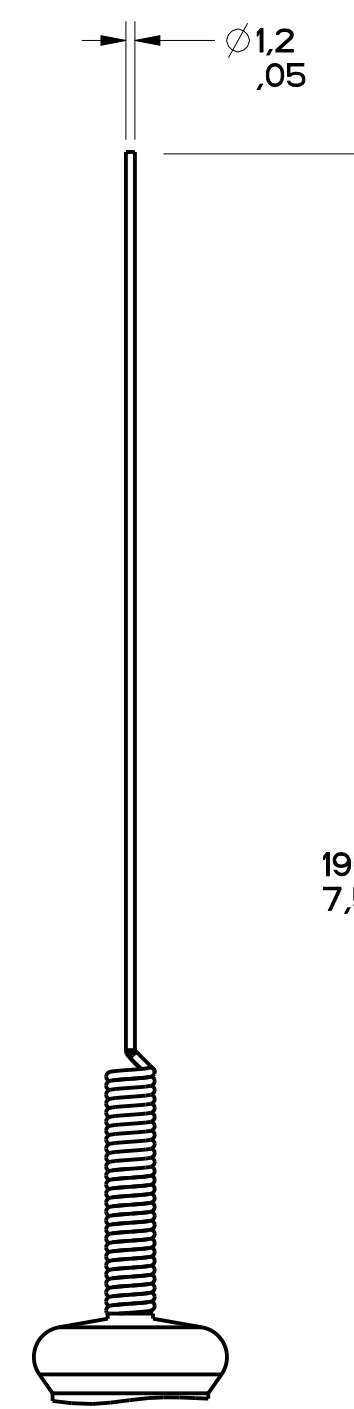


FIGURE 7D - CAT WHISKER ACTUATOR, STAINLESS STEEL SPRING, OTHERWISE SAME AS FIGURE 7

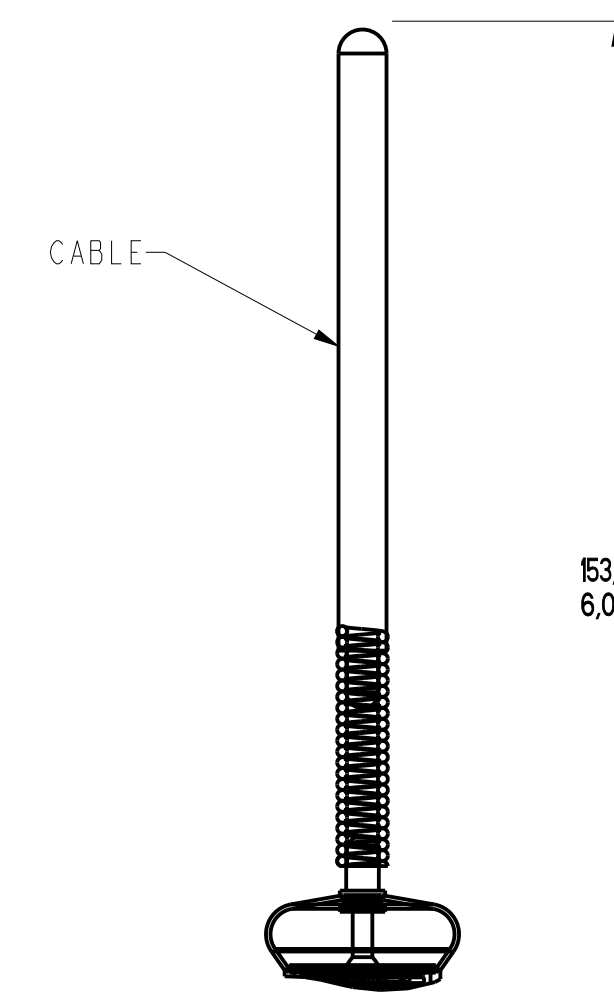


FIGURE 7E - CABLE WOBBLE ACTUATOR, OTHERWISE SAME AS FIGURE 7

DRAWING NUMBER: 16
 ISSUE: 3 OF 13
 RELEASE NO. PR-21557
 REPLACES: 1200112
 CHECK: CMH
 DATE: 20 JAN 04
 0023759
 07 AUG 06
 0037216
 08 FEB 08
 0043629
 05 FEB 08
 0048605
 007800
 0010059
 0094510
 1200112
 S. A. V. 7 MAY 96
 P.T.C./CAD
 S. A. V. 7 MAY 96

THIS DRAWING COVERS A PROPRIETARY ITEM AND IS THE PROPERTY OF MICRO SWITCH, A DIVISION OF HONEYWELL. THIS DRAWING IS NOT TO BE COPIED OR USED WITHOUT THE APPROVAL OF MICRO SWITCH. FED. MFG. CODE 91929		CATALOG LISTING	
MICRO SWITCH a Honeywell Division		SWITCH, ENCLOSED	
DESIGN UNITS: <input checked="" type="checkbox"/> SI METRIC <input type="checkbox"/> US CUSTOMARY		GL SERIES CHART 1	
WEIGHT		THIRD ANGLE PROJECTION SCALE: 1:1 DO NOT SCALE PRINT TOLERANCES APPLY TO DESIGN UNITS. CONVERSIONS ARE ONLY FOR REFERENCE, UNLESS NOTED. TOLERANCES ARE:	
NO. PLACES ONE PLACE TWO PLACES THREE PLACES ANGLES	DIM X X,1X X,1X	TOL. .12, .04 0.40, .016 0.15, .008 ±2°	DIM IN X,1X X,1X US CUSTOMARY <input type="checkbox"/>

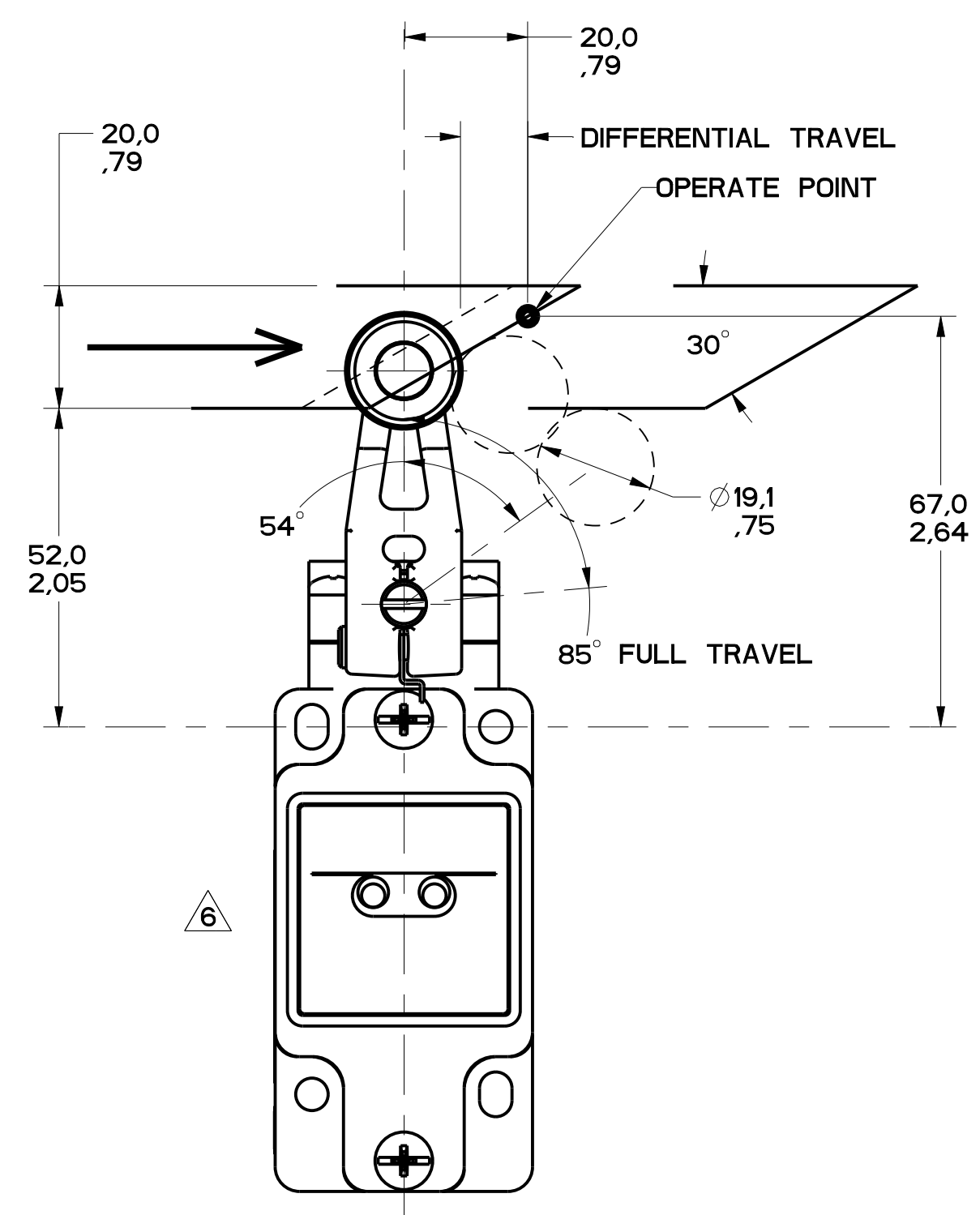


FIGURE 8

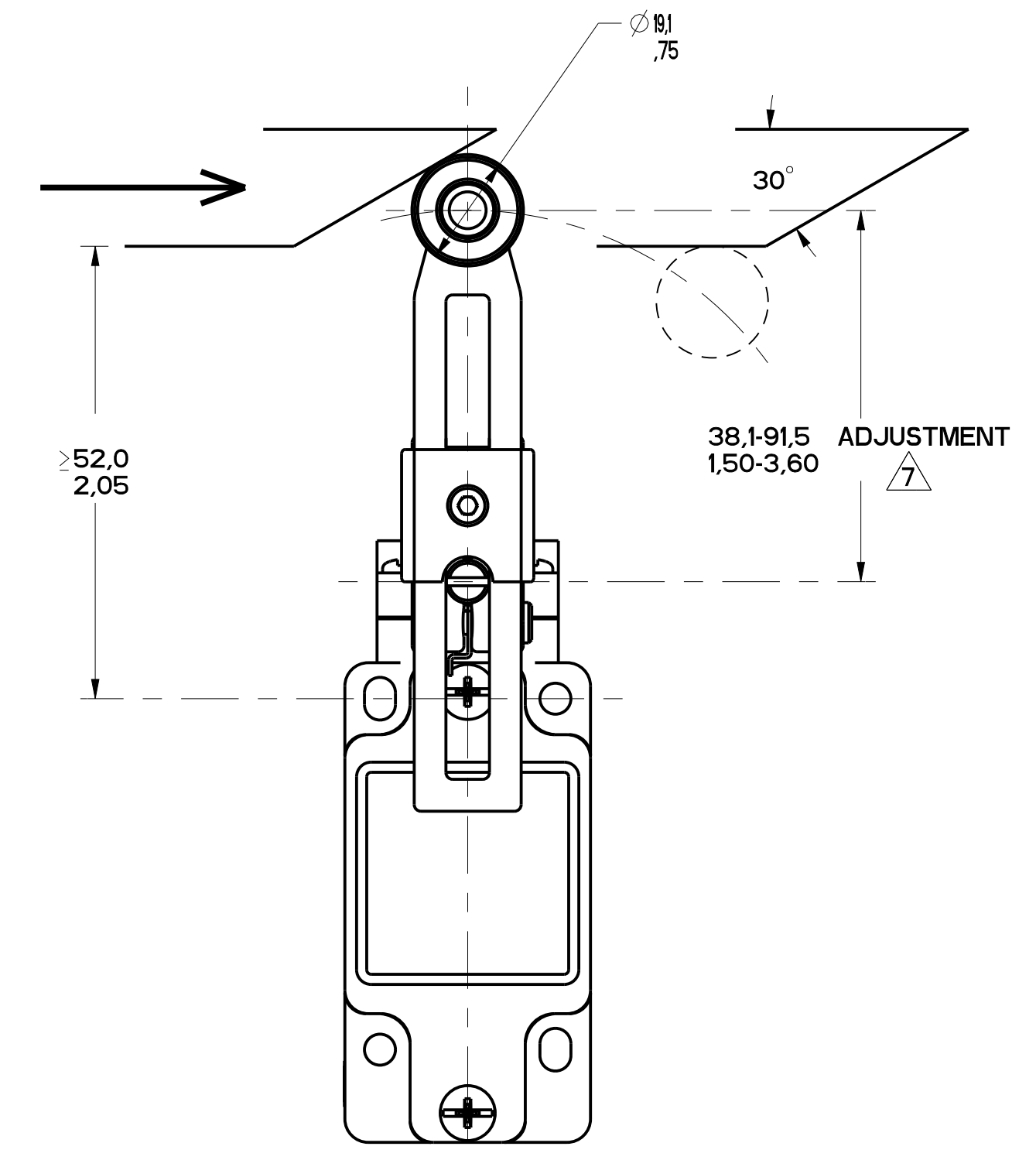


FIGURE 9

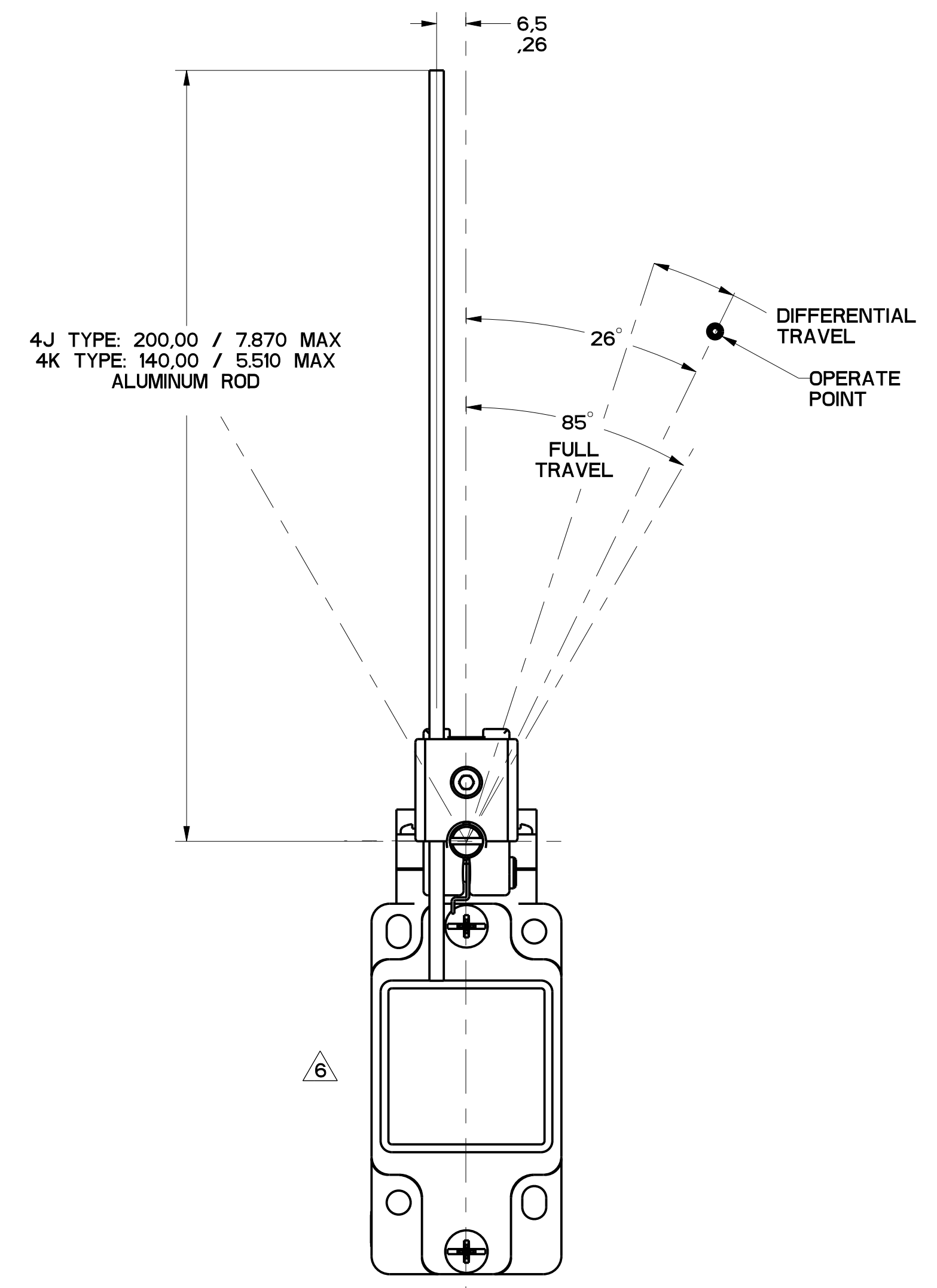


FIGURE 10

MGL SERIES CHART 1
 DRAWING NUMBER: 4 OF 13
 ISSUE: 16
 P.T.C./CAD
 S.A.V. 2/MAR/66
 D.M. 07AUG/66
 P.T.C./CAD
 S.A.V. 2/MAR/66
 D.M. 07AUG/66
 P.T.C./CAD
 S.A.V. 2/MAR/66
 D.M. 07AUG/66

REV.	DESCRIPTION	DATE
1	ISSUED FOR PRODUCTION	02/03/66
2	REVISED	03/03/66
3	REVISED	03/03/66
4	REVISED	03/03/66
5	REVISED	03/03/66
6	REVISED	03/03/66
7	REVISED	03/03/66
8	REVISED	03/03/66
9	REVISED	03/03/66
10	REVISED	03/03/66
11	REVISED	03/03/66
12	REVISED	03/03/66
13	REVISED	03/03/66
14	REVISED	03/03/66
15	REVISED	03/03/66
16	REVISED	03/03/66
17	REVISED	03/03/66
18	REVISED	03/03/66
19	REVISED	03/03/66
20	REVISED	03/03/66

THIS DRAWING COVERS A PROPRIETARY ITEM AND IS THE PROPERTY OF MICRO SWITCH, A DIVISION OF HONEYWELL. THIS DRAWING IS NOT TO BE COPIED OR USED WITHOUT THE APPROVAL OF MICRO SWITCH.		FEDERAL MFG. CODE 91929	
MICRO SWITCH a Honeywell Division		SWITCH, ENCLOSED	
CATALOG LISTING		GL SERIES CHART 1	
DESIGN UNITS: <input checked="" type="checkbox"/> SI METRIC <input type="checkbox"/> US CUSTOMARY		TOLERANCES: DO NOT SCALE PRINT APPLY TO DESIGN UNITS. CONVERSIONS ARE ONLY FOR REFERENCE, UNLESS NOTED. TOLERANCES ARE:	
NO. PLACES	SI	US	US
ONE PLACES	±0.04	±0.04	±0.04
TWO PLACES	±0.01	±0.01	±0.01
THREE PLACES	±0.005	±0.005	±0.005
ANGLES	±2'		
WEIGHT			

FIGURES 8, 9, 10 SIDE ROTARY HEAD, ANGULAR ACTUATION

CATALOG LISTING	CONTACT BLOCK DIAGRAM	NOMINAL TRAVELS AND RELATED TERMINALS <small>■ - CONTACT CLOSED, □ - CONTACT OPEN, ▨ - CONTACT CLOSED DIFFERENTIAL TRAVEL, ** POSITIVE OPENING TO IEC 947-5-1</small>	MAXIMUM OPERATING TORQUE <small>N-m LB-IN</small>	MAXIMUM DISCONNECT TORQUE <small>N-m LB-IN</small>	MAX OPERATE DEGREE/S	MIN OPERATE DEGREE/S	MAX OPERATE FREQUENCY <small>OPS/MIN</small>
GL**01A GL**07A	SNAP - ACTION CONTACTS SINGLE POLE 	 21-22 26° 55**° 85° 13-14 12° DIFFERENTIAL TRAVEL	.330 2.9	.385 3.4	1290	13	250
GL**03A GL**33A	SLOW ACTING BREAK BEFORE MAKE 	 21-22 26**° 85° 13-14 38°	.330 2.9	.385 3.4	1290	13	250
GL**04A GL**34A	SLOW ACTING MAKE BEFORE BREAK 	 21-22 38**° 85° 13-14 26°	.330 2.9	.400 3.5	1290	13	250
GL**05A GL**35A	SLOW ACTING 	 13-14 38° 85° 23-24	.330 2.9	.385 3.4	1290	13	250
GL**06A GL**36A	SLOW ACTING 	 11-12 26**° 85° 21-22	.330 2.9	.385 3.4	1290	13	250
GL**20A GL**22A GL**24A GL**32A	SNAP ACTION CONTACTS DOUBLE POLE 	 11-12, 21-22 26° 55**° 85° 13-14, 23-24 12° DIFFERENTIAL TRAVEL	.330 2.9	.385 3.4	1290	13	250
GL**21A GL**25A GL**28A GL**31A	SNAP ACTION CONTACTS DOUBLE POLE SEQUENTIAL STEP 1 STEP 2 	 11-12 27 42 13-14 21-22 23-24 8 DIFFERENTIAL TRAVEL 8 DIFFERENTIAL TRAVEL	.330 2.9	N/A	1290	13	250

SIDE ROTARY HEAD, CAM ACTUATION PER EN50041, FIGURES 8 AND 9

CATALOG LISTING	CONTACT BLOCK DIAGRAM	NOMINAL TRAVELS AND RELATED TERMINALS <small>■ - CONTACT CLOSED, □ - CONTACT OPEN, ▨ - CONTACT CLOSED DIFFERENTIAL TRAVEL, ** POSITIVE OPENING TO IEC 947-5-1 DIMENSIONS IN mm</small>	MAXIMUM OPERATING FORCE <small>N LB</small>	MAXIMUM DISCONNECT FORCE <small>N LB</small>	MAX OPERATE VEL <small>M/S IN/S</small>	MIN OPERATE VEL <small>mm/S IN/S</small>	MAX OPERATE FREQUENCY <small>OPS/MIN</small>
GL**01A GL**07A	SNAP - ACTION CONTACTS SINGLE POLE 	 21-22 0 20 56** 13-14 12 DIFFERENTIAL TRAVEL	9.7 2.2	11.4 2.6	.85 33.5	8.5 .33	250
GL**03A GL**33A	SLOW ACTING BREAK BEFORE MAKE 	 21-22 0 20** 13-14 32	9.7 2.2	11.4 2.6	.85 33.5	8.5 .33	250
GL**04A GL**34A	SLOW ACTING MAKE BEFORE BREAK 	 21-22 0 32 13-14 20	9.7 2.2	11.4 2.6	.85 33.5	8.5 .33	250
GL**05A GL**35A	SLOW ACTING 	 13-14 0 32° 85° 23-24	9.7 2.2	11.4 2.6	.85 33.5	8.5 .33	250
GL**06A GL**36A	SLOW ACTING 	 11-12 0 20** 21-22	9.7 2.2	11.4 2.6	.85 33.5	8.5 .33	250
GL**20A GL**22A GL**24A GL**32A	SNAP ACTION CONTACTS DOUBLE POLE 	 11-12, 21-22 0 20 56** 13-14, 23-24 12 DIFFERENTIAL TRAVEL	9.7 2.2	11.8 2.7	.85 33.5	8.5 .33	250
GL**21A GL**25A GL**28A GL**31A	SNAP ACTION CONTACTS DOUBLE POLE SEQUENTIAL STEP 1 STEP 2 	 11-12 0 20 38.5 13-14 21-22 23-24 8.5 DIFFERENTIAL TRAVEL 7 DIFFERENTIAL TRAVEL	9.7 2.2	N/A	.85 33.5	8.5 .33	250
GL**26J GL**27J GL**29J GL**30J	SNAP ACTION CONTACTS DOUBLE POLE CENTER NEUTRAL CCW CW 	 11-12 0 16 13-14 21-22 23-24 8 DIFFERENTIAL TRAVEL 8 DIFFERENTIAL TRAVEL	9.7 2.2	N/A	.85 33.5	8.5 .33	250

MGL SERIES CHART 1
 DRAWING NUMBER 5 OF 13
 RELEASE NO. PR-20782
 DATE 05/03/10
 CHECK CMH
 PTC/CAD
 W.L.S. 26AUG93
 CHECK CMH
 000041
 00003
 0002986
 20 26A84
 0023759
 0710086
 0037216
 001088
 0043629
 00108
 0048605
 007809
 007809
 007809
 0000110
 0094570
 0000112

THIRD ANGLE PROJECTION

SCALE: -

DO NOT SCALE PRINT

TOLERANCES
 APPLY TO DESIGN UNITS. CONVERSIONS ARE ONLY FOR REFERENCE. UNLESS NOTED, TOLERANCES ARE:

	MM	TOL.	IN	TOL.
NO PLACES	X	12.04	X	0.4715
ONE PLACE	X.1	0.40714	X.004	0.15875
TWO PLACES	X.01	0.152796	X.0004	0.13125
THREE PLACES	X.001			
ANGLES				

DESIGN UNITS: SI METRIC [] US CUSTOMARY []

WEIGHT

THIS DRAWING COVERS A PROPRIETARY ITEM AND IS THE PROPERTY OF MICRO SWITCH, A DIVISION OF HONEYWELL. THIS DRAWING IS NOT TO BE COPIED OR USED WITHOUT THE APPROVAL OF MICRO SWITCH.

FED. MFG. CODE 91929

CATALOG LISTING

MICRO SWITCH
a Honeywell Division

SWITCH, ENCLOSED

GL SERIES CHART 1

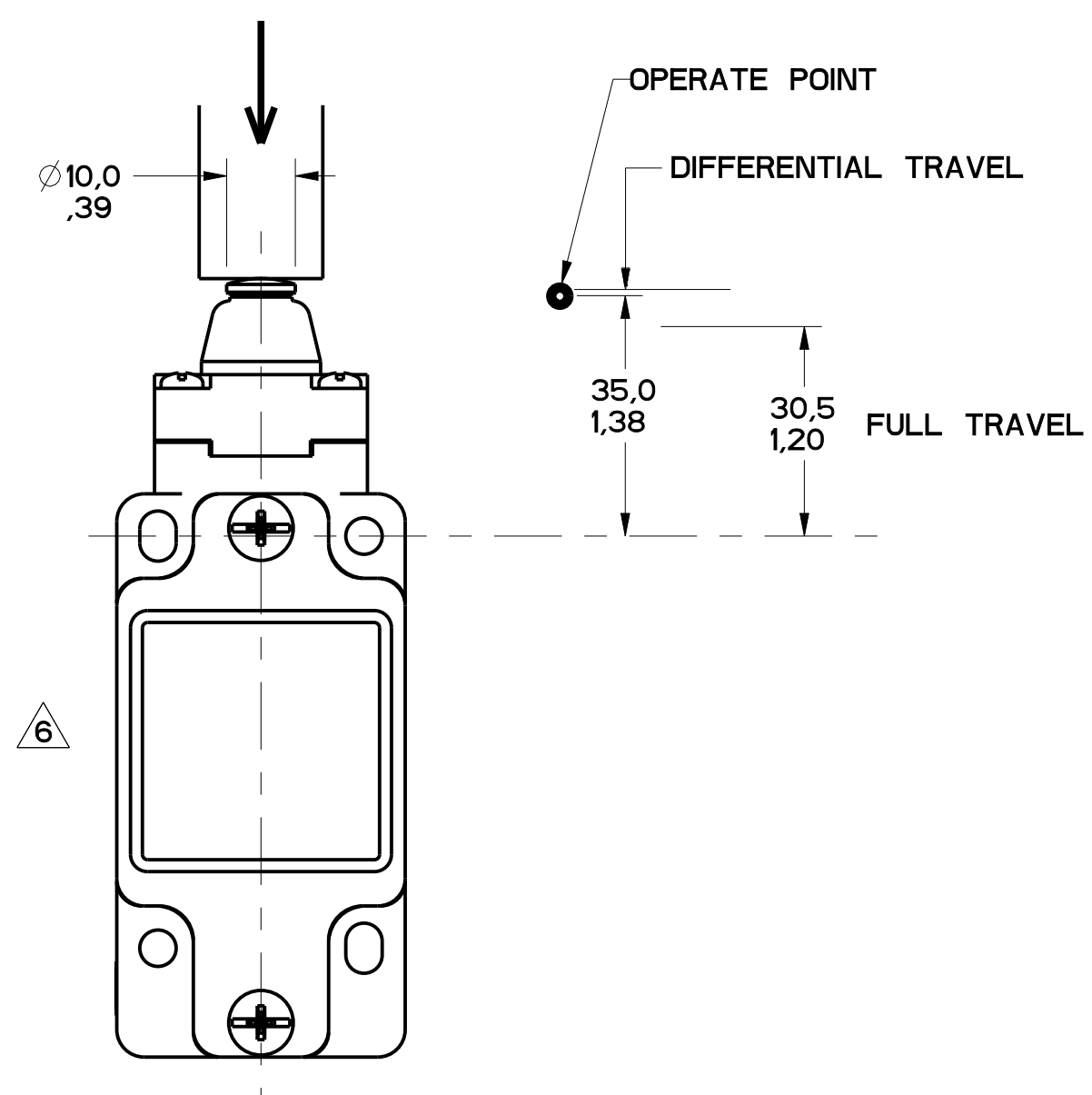


FIGURE 11

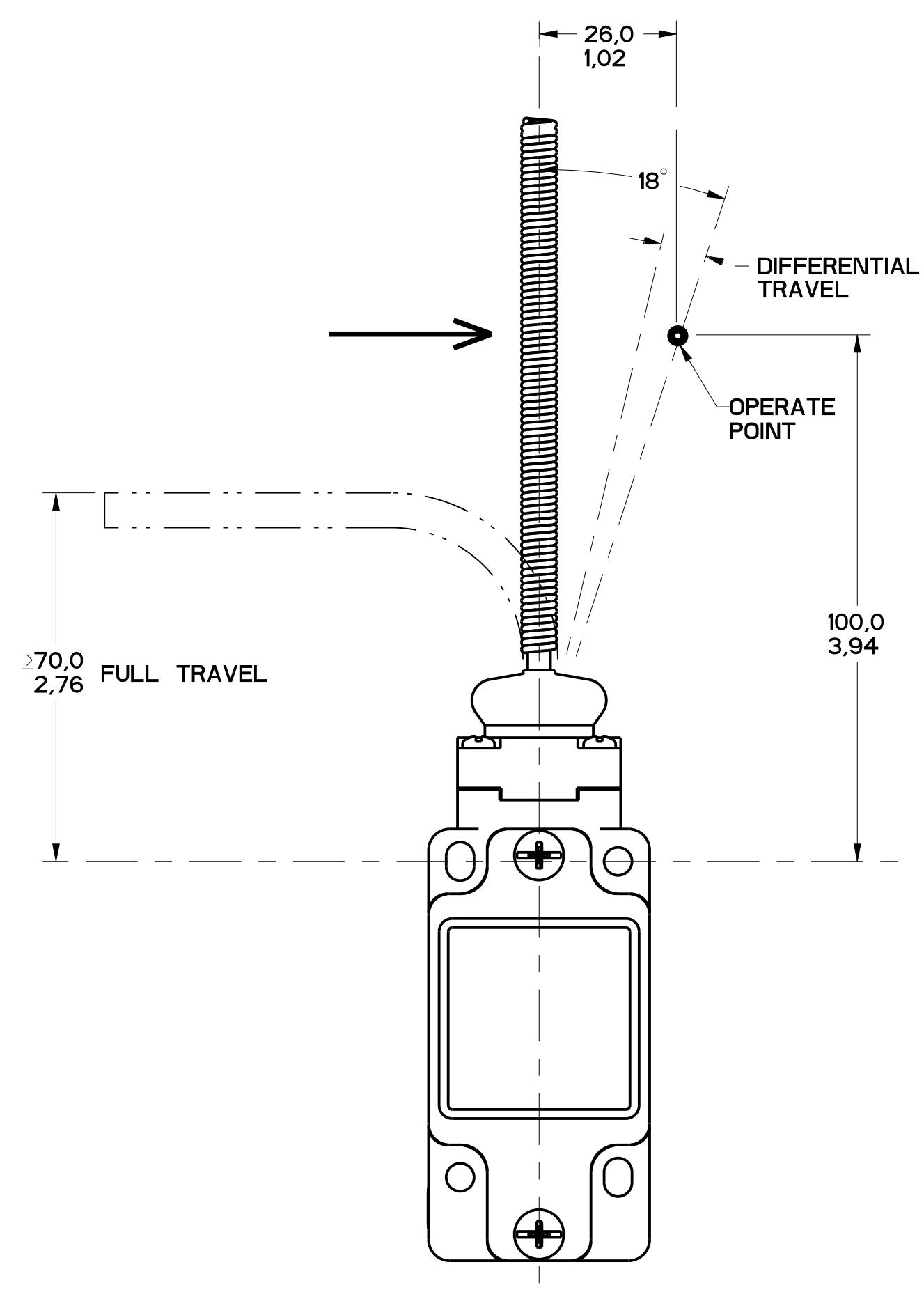


FIGURE 12

MGL SERIES CHART 1
 DRAWING NUMBER: 6 OF 13
 RELEASE NO. PR-20782
 PAGES: 16
 ISSUE: CMH
 CHECK: CMH
 DATE: 05 OCT 10
 CHECK: CMH
 DATE: 20 JAN 84
 HONOLULU: 0223759
 HONOLULU: 07 AUG 86
 HONOLULU: 037216
 HONOLULU: 041888
 HONOLULU: 042629
 HONOLULU: 051208
 HONOLULU: 044605
 HONOLULU: 077809
 HONOLULU: 071058
 HONOLULU: 080110
 HONOLULU: 084578
 HONOLULU: 120112
 P.T.C./CAD: 3D
 DRAWN: W.L.S.
 CHECK: G.H.
 DATE: 26 AUG 93

THIS DRAWING COVERS A PROPRIETARY ITEM AND IS THE PROPERTY OF MICRO SWITCH, A DIVISION OF HONEYWELL. THIS DRAWING IS NOT TO BE COPIED OR USED WITHOUT THE APPROVAL OF MICRO SWITCH.		FEDERAL MANUFACTURING CODE 91929		CATALOG LISTING	
MICRO SWITCH a Honeywell Division		SWITCH, ENCLOSED		GL SERIES CHART 1	
DESIGN UNITS: <input checked="" type="checkbox"/> SI METRIC <input type="checkbox"/> US CUSTOMARY		TOLERANCES: <input checked="" type="checkbox"/> ±Z		WEIGHT:	
NO. PLACES: X ONE PLACE: X.1X TWO PLACES: X.1X THREE PLACES: X.1XX	TOL. IN: .04 TOL. MM: 0.40/.016 TOL. IN: .01/.008 TOL. MM: 0.13/.008	NO. PLACES: X ONE PLACE: X.1 TWO PLACES: X.1X THREE PLACES: X.1XX	TOL. IN: 0.01/.005 TOL. MM: 0.30/.015	APPLY TO DESIGN UNITS. CONVERSIONS ARE ONLY FOR REFERENCE, UNLESS NOTED. TOLERANCES ARE ±.	

FIGURES 11, PIN PLUNGER HEAD, LINEAR ACTUATION

CATALOG LISTING	CONTACT BLOCK DIAGRAM	NOMINAL TRAVELS AND RELATED TERMINALS ■ CONTACT CLOSED, □ CONTACT OPEN, ▨ CONTACT CLOSED DIFFERENTIAL TRAVEL, ** POSITIVE OPENING TO IEC 947-5-1	MAXIMUM OPERATING FORCE $\frac{N}{LB}$	MAXIMUM DISCONNECT FORCE $\frac{N}{LB}$	MAX OPERATE VEL $\frac{m}{in}/S$	MIN OPERATE VEL $\frac{mm}{in}/S$	MAX OPERATE FREQUENCY OPS/MIN
GL**01B GL**07B	SNAP - ACTION CONTACTS SINGLE POLE 	37.5 35 33** 30.5 21-22 13-14 0.9 DIFFERENTIAL TRAVEL	$\frac{16}{3.6}$	$\frac{27}{6.0}$	$\frac{0.1}{3.9}$	$\frac{1.0}{.04}$	250
GL**03B GL**33B	SLOW ACTING BREAK BEFORE MAKE 	37.5 35** 30.5 21-22 13-14 34	$\frac{16}{3.6}$	$\frac{27}{6.0}$	$\frac{0.1}{3.9}$	$\frac{1.0}{.04}$	250
GL**04B GL**34B	SLOW ACTING MAKE BEFORE BREAK 	37.5 34** 30.5 21-22 13-14 35	$\frac{16}{3.6}$	$\frac{27}{6.0}$	$\frac{0.1}{3.9}$	$\frac{1.0}{.04}$	250
GL**05B GL**35B	SLOW ACTING 	37.5 34 30.5 13-14 23-24	$\frac{16}{3.6}$	$\frac{27}{6.0}$	$\frac{0.1}{3.9}$	$\frac{1.0}{.04}$	250
GL**06B GL**36B	SLOW ACTING 	37.5 35** 30.5 11-12 21-22 34	$\frac{16}{3.6}$	$\frac{27}{6.0}$	$\frac{0.1}{3.9}$	$\frac{1.0}{.04}$	250
GL**20B GL**22B GL**24B GL**32B	SNAP ACTION CONTACTS DOUBLE POLE 	37.5 35 33** 30.5 11-12, 21-22 13-14, 23-24 0.9 DIFFERENTIAL TRAVEL	$\frac{16}{3.6}$	$\frac{37}{8.2}$	$\frac{0.1}{3.9}$	$\frac{1.0}{.04}$	250
GL**21B GL**25B GL**28B GL**31B	STEP 1 STEP 2 SNAP ACTION CONTACTS DOUBLE POLE SEQUENTIAL 	37.5 35 33.8 30.5 11-12 13-14 21-22 23-24 .8 DIFFERENTIAL TRAVEL	$\frac{16}{3.6}$	N/A	$\frac{0.1}{3.9}$	$\frac{1.0}{.04}$	250

FIGURE 12, WOBBLE HEAD, ANGULAR ACTUATION

CATALOG LISTING	CONTACT BLOCK DIAGRAM	NOMINAL TRAVELS AND RELATED TERMINALS ■ CONTACT CLOSED, □ CONTACT OPEN, ▨ CONTACT CLOSED DIFFERENTIAL TRAVEL, ** POSITIVE OPENING TO IEC 947-5-1	MAXIMUM OPERATING TORQUE $\frac{N-m}{LB/in}$	MAXIMUM DISCONNECT TORQUE $\frac{N-m}{LB/in}$	MAX OPERATE DEGREE/S	MIN OPERATE VELOCITY DEGREE/S	MAX OPERATE RATE CYCLES/MIN
GL**01E GL**07E	SNAP - ACTION CONTACTS SINGLE POLE 	21-22 13-14 18° 8° DIFFERENTIAL TRAVEL	$\frac{0.2}{1.8}$	N/A	360	8	100
GL**03E GL**33E	SLOW ACTING BREAK BEFORE MAKE 	21-22 13-14 0° 18° 25° 35°	$\frac{0.2}{1.8}$	N/A	360	8	100
GL**04E GL**34E	SLOW ACTING MAKE BEFORE BREAK 	21-22 13-14 0° 18° 25° 35°	$\frac{0.2}{1.8}$	N/A	360	8	100
GL**05E GL**35E	SLOW ACTING 	13-14 23-24 0° 25° 35°	$\frac{0.2}{1.8}$	N/A	360	8	100
GL**06E GL**36E	SLOW ACTING 	11-12 21-22 0° 18° 35°	$\frac{0.2}{1.8}$	N/A	360	8	100
GL**20E GL**22E GL**24E GL**32E	SNAP ACTION CONTACTS DOUBLE POLE 	11-12, 21-22 13-14, 23-24 18° 8° DIFFERENTIAL TRAVEL	$\frac{0.2}{1.8}$	N/A	360	8	100

FIGURE 12, WOBBLE HEAD, SIDE ACTUATION AT 100mm

CATALOG LISTING	CONTACT BLOCK DIAGRAM	NOMINAL TRAVELS AND RELATED TERMINALS ■ CONTACT CLOSED, □ CONTACT OPEN, ▨ CONTACT CLOSED DIFFERENTIAL TRAVEL, ** POSITIVE OPENING TO IEC 947-5-1	MAXIMUM OPERATING FORCE $\frac{N}{LB}$	MAXIMUM DISCONNECT FORCE $\frac{N}{LB}$	MAX OPERATE VEL $\frac{m}{in}/S$	MIN OPERATE VEL $\frac{mm}{in}/S$	MAX OPERATE FREQUENCY OPS/MIN
GL**01E GL**07E	SNAP - ACTION CONTACTS SINGLE POLE 	21-22 13-14 26 12 DIFFERENTIAL TRAVEL	$\frac{2.5}{0.6}$	N/A	$\frac{.5}{19.7}$	$\frac{11}{.43}$	100
GL**03E GL**33E	SLOW ACTING BREAK BEFORE MAKE 	21-22 13-14 26.5 38.1	$\frac{2.5}{0.6}$	N/A	$\frac{.5}{19.7}$	$\frac{11}{.43}$	100
GL**04E GL**34E	SLOW ACTING MAKE BEFORE BREAK 	21-22 13-14 26.5 38.1	$\frac{2.5}{0.6}$	N/A	$\frac{.5}{19.7}$	$\frac{11}{.43}$	100
GL**05E GL**35E	SLOW ACTING 	13-14 23-24 38.1	$\frac{2.5}{0.6}$	N/A	$\frac{.5}{19.7}$	$\frac{11}{.43}$	100
GL**06E GL**36E	SLOW ACTING 	11-12 21-22 26.5	$\frac{2.5}{0.6}$	N/A	$\frac{.5}{19.7}$	$\frac{11}{.43}$	100
GL**20E GL**22E GL**24E GL**32E	SNAP ACTION CONTACTS DOUBLE POLE 	11-12, 21-22 13-14, 23-24 26	$\frac{2.5}{0.6}$	N/A	360	8	100

THIRD ANGLE PROJECTION

SCALE -

DO NOT SCALE PRINT

TOLERANCES

APPLY TO DESIGN UNITS. CONVERSIONS ARE ONLY FOR REFERENCE. UNLESS NOTED, TOLERANCES ARE:

NO PLACES	1X	17.04	1.1	0.01/0.5
TWO PLACES	2X	0.13/0.06	0.13/0.06	0.13/0.06
THREE PLACES	3X	0.13/0.06	0.13/0.06	0.13/0.06

DESIGN UNITS SI METRIC US CUSTOMARY

WEIGHT

THIS DRAWING COVERS A PROPRIETARY ITEM AND IS THE PROPERTY OF MICRO SWITCH, A DIVISION OF HONEYWELL. THIS DRAWING IS NOT TO BE COPIED OR USED WITHOUT THE APPROVAL OF MICRO SWITCH.

FED. MFG. CODE 91929 CATALOG LISTING

MICRO SWITCH a Honeywell Division

SWITCH, ENCLOSED

GL SERIES CHART 1

MGL SERIES CHART 1
 DRAWING NUMBER: 7 OF 13
 RELEASE NO. PR-201782
 CHECK: CMH
 DATE: 05 OCT 10
 CHECK: CMH
 DATE: 26 AUG 93
 PTC/CAD
 DRAWN: W.L.S.
 DATE: 20 AUG 93
 CHECK: G.H.
 DATE: 12 OCT 12

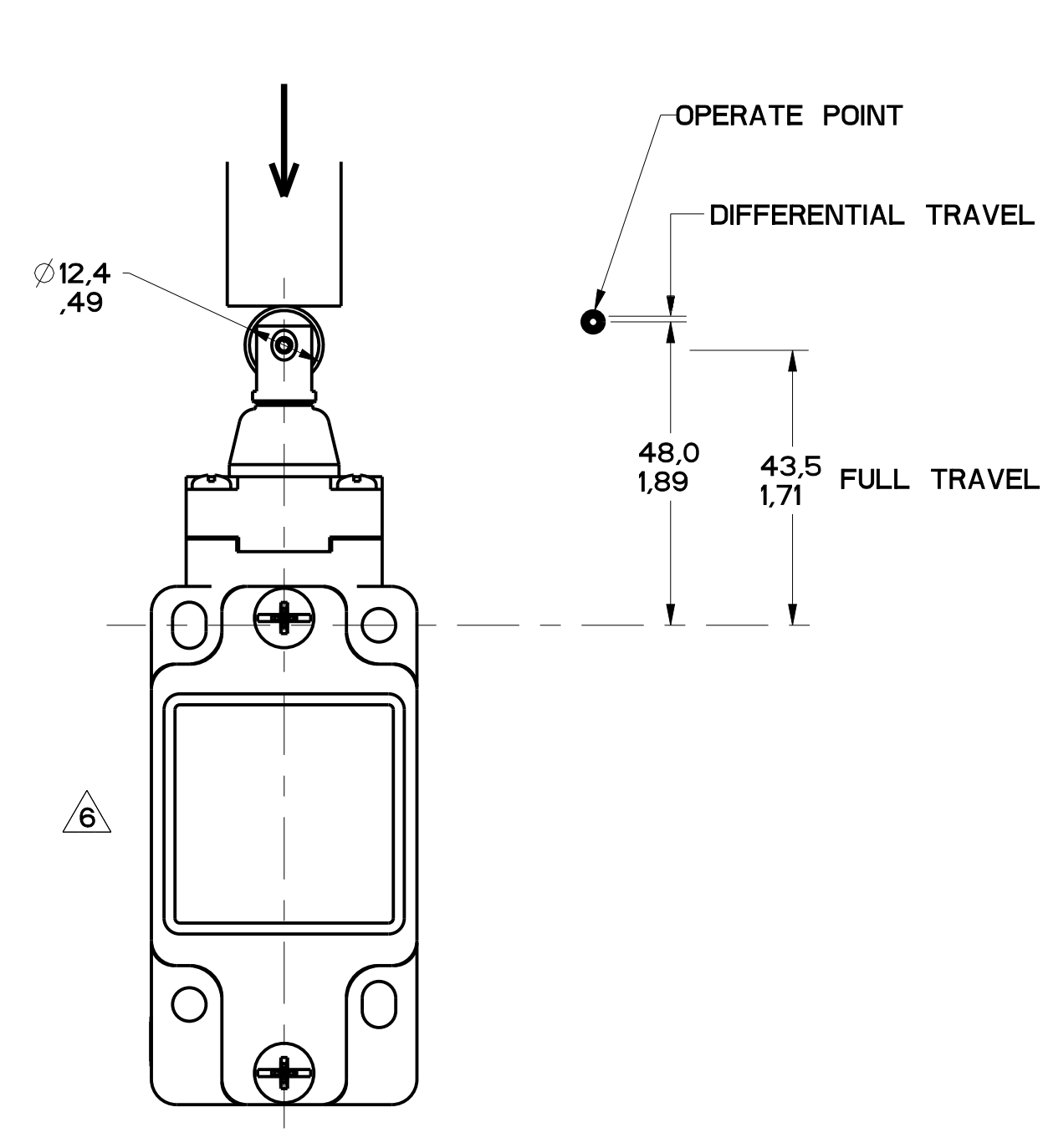


FIGURE 13A

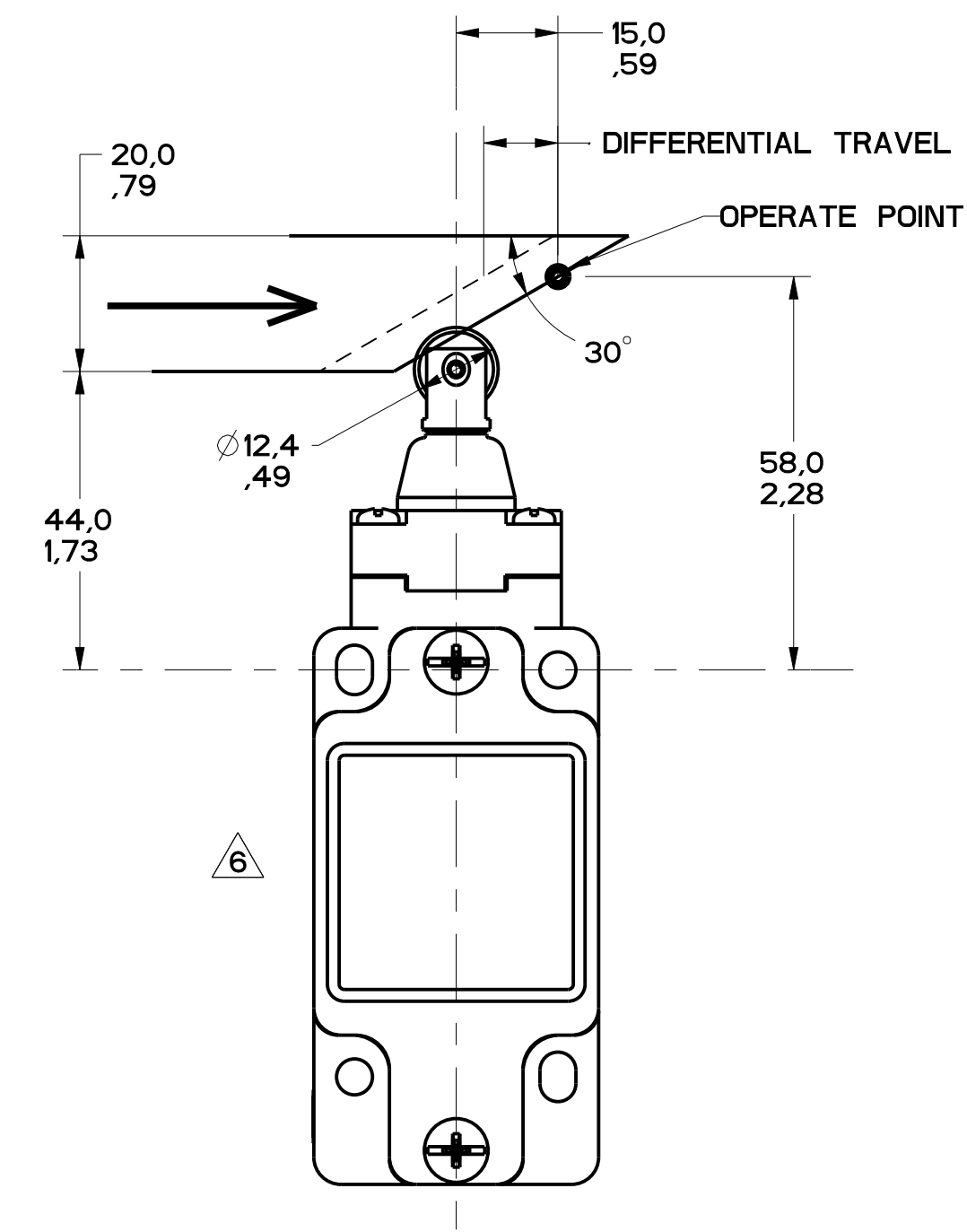


FIGURE 13B

MGL SERIES CHART 1
 DRAWING NUMBER: 8 OF 13
 RELEASE NO. PR-20782
 ISSUE: 16
 CHECK: CMH
 DATE: 20 APR 83
 P.T.C./CAD
 W.L.S. 20 APR 83
 CHECK: G.H.
 DATE: 20 APR 83

REV	DESCRIPTION	DATE	BY	CHKD
1	ISSUE	08/05/81	WLS	WLS
2	REVISED	09/03/81	WLS	WLS
3	REVISED	02/27/82	WLS	WLS
4	REVISED	20 JAN 84	WLS	WLS
5	REVISED	02/27/85	WLS	WLS
6	REVISED	07/16/86	WLS	WLS
7	REVISED	03/27/86	WLS	WLS
8	REVISED	04/26/89	WLS	WLS
9	REVISED	05/28/89	WLS	WLS
10	REVISED	04/26/85	WLS	WLS
11	REVISED	07/28/89	WLS	WLS
12	REVISED	07/28/89	WLS	WLS
13	REVISED	07/28/89	WLS	WLS
14	REVISED	07/28/89	WLS	WLS
15	REVISED	07/28/89	WLS	WLS
16	REVISED	07/28/89	WLS	WLS
17	REVISED	07/28/89	WLS	WLS
18	REVISED	07/28/89	WLS	WLS
19	REVISED	07/28/89	WLS	WLS
20	REVISED	07/28/89	WLS	WLS

THIS DRAWING COVERS A PROPRIETARY ITEM AND IS THE PROPERTY OF MICRO SWITCH, A DIVISION OF HONEYWELL. THIS DRAWING IS NOT TO BE COPIED OR USED WITHOUT THE APPROVAL OF MICRO SWITCH.		FEDERAL MFG. CODE 91929	
MICRO SWITCH a Honeywell Division		SWITCH, ENCLOSED	
CATALOG LISTING		GL SERIES CHART 1	
DESIGN UNITS: <input checked="" type="checkbox"/> SI METRIC <input type="checkbox"/> US CUSTOMARY		TOLERANCES: APPLY TO DESIGN UNITS. CONVERSIONS ARE ONLY FOR REFERENCE. UNLESS NOTED, TOLERANCES ARE:	
NO. PLACES ONE PLACE TWO PLACES THREE PLACES ANGLES	DIM. mm X.XX X.XX X.XX ±.2°	TOL. mm 0.40, .04 0.40, .04 0.15, .008 ±.2°	DIM. IN. X.X X.XX X.XX ±.005
WEIGHT		TOL. IN. 0.01, .01 0.01, .015 0.13, .015	

FIGURE 13A, ROLLER PLUNGER HEAD, PIN ACTUATION

CATALOG LISTING	CONTACT BLOCK DIAGRAM	NOMINAL TRAVELS AND RELATED TERMINALS ■ CONTACT CLOSED, □ CONTACT OPEN, ▨ CONTACT CLOSED DIFFERENTIAL TRAVEL, ** POSITIVE OPENING TO IEC 947-5-1	MAXIMUM OPERATING FORCE $\frac{N}{LB}$	MAXIMUM DISCONNECT FORCE $\frac{N}{LB}$	MAX OPERATE VEL $\frac{m/s}{in/s}$	MIN OPERATE VEL $\frac{mm/s}{in/s}$	MAX OPERATE FREQUENCY OPS/MIN
GL**01C GL**07C	SNAP - ACTION CONTACTS SINGLE POLE 	50.5 48 46** 43.5 21-22 13-14 0.9 DIFFERENTIAL TRAVEL	$\frac{16}{3.6}$	$\frac{27}{6.0}$	$\frac{0.1}{3.9}$	$\frac{1.0}{.04}$	250
GL**03C GL**33C	SLOW ACTING BREAK BEFORE MAKE 	50.5 48** 43.5 21-22 13-14 47	$\frac{16}{3.6}$	$\frac{27}{6.0}$	$\frac{0.1}{3.9}$	$\frac{1.0}{.04}$	250
GL**04C GL**34C	SLOW ACTING MAKE BEFORE BREAK 	50.5 47** 43.5 21-22 13-14 48	$\frac{16}{3.6}$	$\frac{27}{6.0}$	$\frac{0.1}{3.9}$	$\frac{1.0}{.04}$	250
GL**05C GL**35C	SLOW ACTING 	50.5 47 43.5 13-14 23-24	$\frac{16}{3.6}$	$\frac{27}{6.0}$	$\frac{0.1}{3.9}$	$\frac{1.0}{.04}$	250
GL**06C GL**36C	SLOW ACTING 	50.5 48** 43.5 11-12 21-22	$\frac{16}{3.6}$	$\frac{27}{6.0}$	$\frac{0.1}{3.9}$	$\frac{1.0}{.04}$	250
GL**20C GL**22C GL**24C GL**32C	SNAP ACTION CONTACTS DOUBLE POLE 	50.5 48 46** 43.5 11-12, 21-22 13-14, 23-24 0.9 DIFFERENTIAL TRAVEL	$\frac{16}{3.6}$	$\frac{37}{8.2}$	$\frac{0.1}{3.9}$	$\frac{1.0}{.04}$	250
GL**21C GL**25C GL**28C GL**31C	STEP 1 STEP 2 SNAP ACTION CONTACTS DOUBLE POLE SEQUENTIAL 	50.5 48 46.8 43.5 11-12 13-14 21-22 23-24 .8 DIFFERENTIAL TRAVEL .8 DIFFERENTIAL TRAVEL	$\frac{16}{3.6}$	N/A	$\frac{0.1}{3.9}$	$\frac{1.0}{.04}$	250

FIGURE 13B, TOP ROLLER PLUNGER HEAD, CAM ACTUATION PER EN50041

CATALOG LISTING	CONTACT BLOCK DIAGRAM	NOMINAL TRAVELS AND RELATED TERMINALS ■ CONTACT CLOSED, □ CONTACT OPEN, ▨ CONTACT CLOSED DIFFERENTIAL TRAVEL, ** POSITIVE OPENING TO IEC 947-5-1	MAXIMUM OPERATING FORCE $\frac{N}{LB}$	MAXIMUM DISCONNECT FORCE $\frac{N}{LB}$	MAX OPERATE VEL $\frac{m/s}{in/s}$	MIN OPERATE VEL $\frac{mm/s}{in/s}$	MAX OPERATE FREQUENCY OPS/MIN
GL**01C GL**07C	SNAP - ACTION CONTACTS SINGLE POLE 	0 15 18.3** 21-22 13-14 1.8 DIFFERENTIAL TRAVEL	$\frac{9.3}{2.1}$	$\frac{15.6}{3.5}$	$\frac{0.17}{6.7}$	$\frac{1.7}{.067}$	250
GL**03C GL**33C	SLOW ACTING BREAK BEFORE MAKE 	0 15** 21-22 13-14 16.8	$\frac{9.3}{2.1}$	$\frac{15.6}{3.5}$	$\frac{0.17}{6.7}$	$\frac{1.7}{.067}$	250
GL**04C GL**34C	SLOW ACTING MAKE BEFORE BREAK 	0 16.8** 21-22 13-14 15	$\frac{9.3}{2.1}$	$\frac{15.6}{3.5}$	$\frac{0.17}{6.7}$	$\frac{1.7}{.067}$	250
GL**05C GL**35C	SLOW ACTING 	0 16.8 13-14 23-24	$\frac{9.3}{2.1}$	$\frac{15.6}{3.5}$	$\frac{0.17}{6.7}$	$\frac{1.7}{.067}$	250
GL**06C GL**36C	SLOW ACTING 	0 15** 21-22 13-14	$\frac{9.3}{2.1}$	$\frac{15.6}{3.5}$	$\frac{0.17}{6.7}$	$\frac{1.7}{.067}$	250
GL**20C GL**22C GL**24C GL**32C	SNAP ACTION CONTACTS DOUBLE POLE 	0 15 18.3** 11-12, 21-22 13-14, 23-24 1.8 DIFFERENTIAL TRAVEL	$\frac{9.3}{2.1}$	$\frac{21.4}{4.8}$	$\frac{0.17}{6.7}$	$\frac{1.7}{.067}$	250
GL**21C GL**25C GL**28C GL**31C	STEP 1 STEP 2 SNAP ACTION CONTACTS DOUBLE POLE SEQUENTIAL 	0 15 16.9 11-12 13-14 21-22 23-24 1.4 DIFFERENTIAL TRAVEL 1.4 DIFFERENTIAL TRAVEL	$\frac{9.3}{2.1}$	N/A	$\frac{0.17}{6.7}$	$\frac{1.7}{.067}$	250

MGL SERIES CHART 1
 DRAWING NUMBER: 9 OF 13
 RELEASE NO. PR-20782
 DATE: 05 OCT 12
 CHECKED: CMH
 DESIGNED: CMH
 APPROVED: CMH
 PTC/CAD: W. L. S. OSMARCO
 DRAWN: W. L. S. OSMARCO
 CHECKED: CMH
 DATE: 05 OCT 12

THIRD ANGLE PROJECTION

SCALE: -

DO NOT SCALE PRINT

TOLERANCES

APPLY TO DESIGN UNITS. CONVERSIONS ARE ONLY FOR REFERENCE. UNLESS NOTED, TOLERANCES ARE:

NO. PLACES	TOL.	SI METRIC	US CUSTOMARY
TWO PLACES	±0.02	±0.02	±0.0005
THREE PLACES	±0.005	±0.005	±0.00025
FOUR PLACES	±0.001	±0.001	±0.0001

DESIGN UNITS: SI METRIC US CUSTOMARY

WEIGHT: -

THIS DRAWING COVERS A PROPRIETARY ITEM AND IS THE PROPERTY OF MICRO SWITCH, A DIVISION OF HONEYWELL. THIS DRAWING IS NOT TO BE COPIED OR USED WITHOUT THE APPROVAL OF MICRO SWITCH.

FED. MFG. CODE 91929

CATALOG LISTING

MICRO SWITCH
a Honeywell Division

SWITCH, ENCLOSED

GL SERIES CHART 1

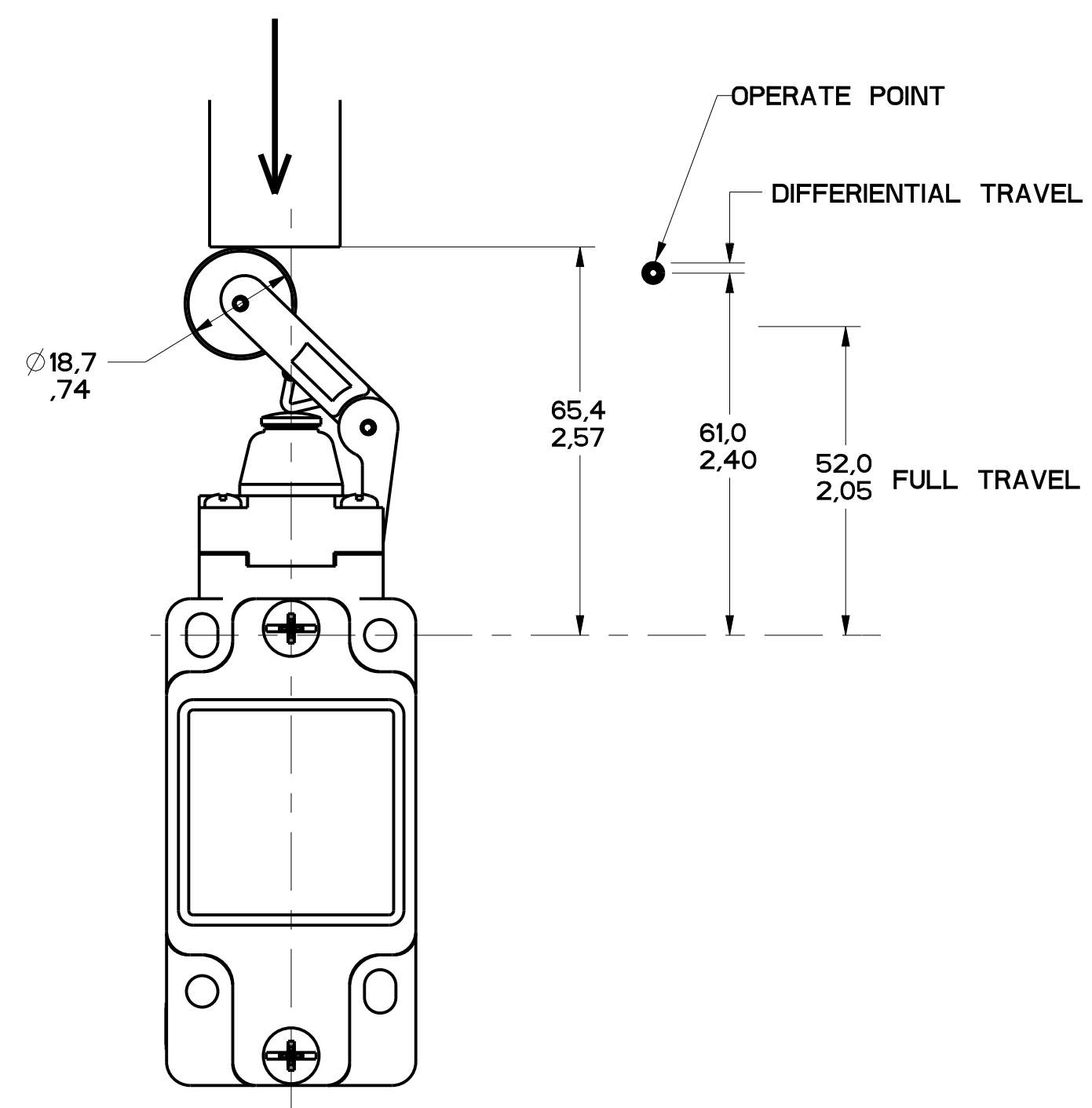


FIGURE 14A

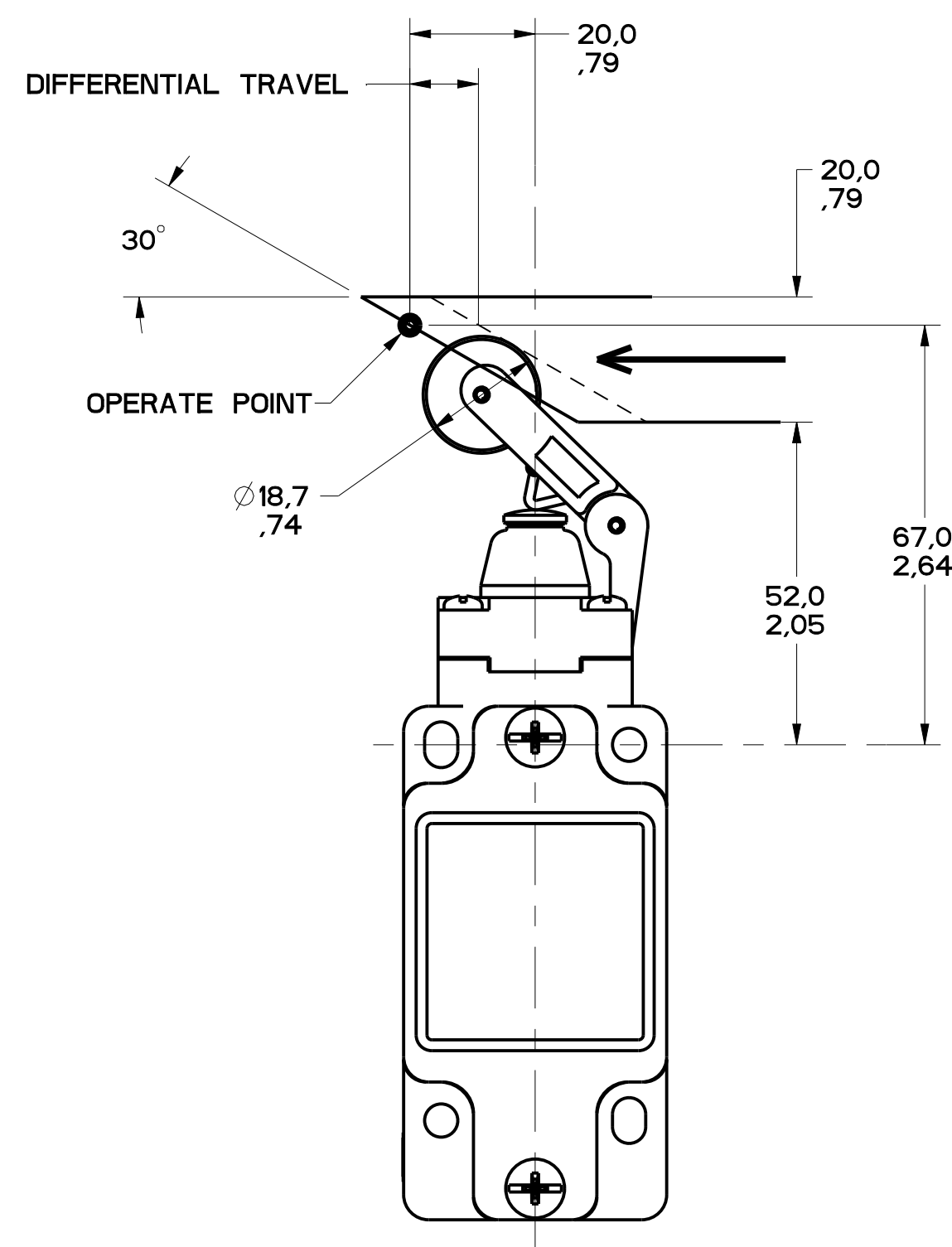


FIGURE 14B

MGL SERIES CHART 1
 DRAWING NUMBER: 10 OF 13
 ISSUE: 16
 P.T.C./CAD: 3D
 DRAWN: G.H. / 02MARCH / 1982
 CHECK: S.A.V. / 12OCT12 / 1982
 APPROVED: CMH / 05OCT10 / 1982
 RELEASE NO.: -
 REVISIONS:
 1 0000441 1982 JUN03
 2 0002986 1982 JUN04
 3 0023759 1982 JUN06
 4 0037216 1982 JUN06
 5 0043629 1982 JUN06
 6 0048605 1982 JUN06
 7 0078909 1982 JUN06
 8 0100059 1982 JUN06
 9 0200110 1982 JUN06
 10 0094570 1982 JUN06
 11 0000000 1982 JUN06

THIS DRAWING COVERS A PROPRIETARY ITEM AND IS THE PROPERTY OF MICRO SWITCH, A DIVISION OF HONEYWELL. THIS DRAWING IS NOT TO BE COPIED OR USED WITHOUT THE APPROVAL OF MICRO SWITCH. FED. MFG. CODE 91929		CATALOG LISTING	
MICRO SWITCH a Honeywell Division		SWITCH, ENCLOSED	
DESIGN UNITS: <input checked="" type="checkbox"/> SI METRIC <input type="checkbox"/> US CUSTOMARY		GL SERIES CHART 1	
TOLERANCES APPLY TO DESIGN UNITS. CONCESSIONS ARE ONLY FOR REFERENCE, UNLESS NOTED. TOLERANCES ARE:		THIRD ANGLE PROJECTION DO NOT SCALE PRINT	
NO PLACES ONE PLACE TWO PLACES THREE PLACES ANGLES	SI .04 .01 .005 ±.2°	US .0005 .001 .002 .005 .01 .02 .05 .1 .2 .5 1 2 5 10 20 50 100 200 500 1000	TOL. .0005 .001 .002 .005 .01 .02 .05 .1 .2 .5 1 2 5 10 20 50 100 200 500 1000
WEIGHT			

FIGURE 14A, TOP ROLLER LEVER HEAD WITH PIN ACTUATION

CATALOG LISTING	CONTACT BLOCK DIAGRAM	NOMINAL TRAVELS AND RELATED TERMINALS ■ - CONTACT CLOSED, □ - CONTACT OPEN, ▨ - CONTACT CLOSED DIFFERENTIAL TRAVEL, ** POSITIVE OPENING TO IEC 947-5-1	MAXIMUM OPERATING FORCE $\frac{N}{LB}$	MAXIMUM DISCONNECT FORCE $\frac{N}{LB}$	MAX OPERATE VEL $\frac{M/S}{IN/S}$	MIN OPERATE VEL $\frac{M/S}{IN/S}$	MAX OPERATE FREQUENCY OPS/MIN
GL**01D GL**07D	SNAP - ACTION CONTACTS SINGLE POLE 		$\frac{9.5}{2.1}$	$\frac{12}{2.7}$	$\frac{0.17}{6.7}$	$\frac{1.7}{.067}$	250
GL**03D GL**33D	SLOW ACTING BREAK BEFORE MAKE 		$\frac{9.5}{2.1}$	$\frac{12}{2.7}$	$\frac{0.17}{6.7}$	$\frac{1.7}{.067}$	250
GL**04D GL**34D	SLOW ACTING MAKE BEFORE BREAK 		$\frac{9.5}{2.1}$	$\frac{12}{2.7}$	$\frac{0.17}{6.7}$	$\frac{1.7}{.067}$	250
GL**05D GL**35D	SLOW ACTING 		$\frac{9.5}{2.1}$	$\frac{12}{2.7}$	$\frac{0.17}{6.7}$	$\frac{1.7}{.067}$	250
GL**06D GL**36D	SLOW ACTING 		$\frac{9.5}{2.1}$	$\frac{12}{2.7}$	$\frac{0.17}{6.7}$	$\frac{1.7}{.067}$	250
GL**20D GL**22D GL**24D GL**32D	SNAP ACTION CONTACTS DOUBLE POLE 		$\frac{9.5}{2.1}$	$\frac{16.4}{3.7}$	$\frac{0.17}{6.7}$	$\frac{1.7}{.067}$	250
GL**21D GL**25D GL**28D GL**31D	STEP 1 STEP 2 SNAP ACTION CONTACTS DOUBLE POLE SEQUENTIAL 		$\frac{9.5}{2.1}$	N/A	$\frac{0.17}{6.7}$	$\frac{1.7}{.067}$	250

FIGURE 14B, TOP ROLLER LEVER HEAD WITH CAM ACTUATION

CATALOG LISTING	CONTACT BLOCK DIAGRAM	NOMINAL TRAVELS AND RELATED TERMINALS ■ - CONTACT CLOSED, □ - CONTACT OPEN, ▨ - CONTACT CLOSED DIFFERENTIAL TRAVEL, ** POSITIVE OPENING TO IEC 947-5-1	MAXIMUM OPERATING FORCE $\frac{N}{LB}$	MAXIMUM DISCONNECT FORCE $\frac{N}{LB}$	MAX OPERATE VEL $\frac{M/S}{IN/S}$	MIN OPERATE VEL $\frac{M/S}{IN/S}$	MAX OPERATE FREQUENCY OPS/MIN
GL**01D GL**07D	SNAP - ACTION CONTACTS SINGLE POLE 		$\frac{5.5}{1.2}$	$\frac{7.0}{1.6}$	$\frac{0.29}{11.4}$	$\frac{2.9}{.11}$	250
GL**03D GL**33D	SLOW ACTING BREAK BEFORE MAKE 		$\frac{5.5}{1.2}$	$\frac{7.0}{1.6}$	$\frac{0.29}{11.4}$	$\frac{2.9}{.11}$	250
GL**04D GL**34D	SLOW ACTING MAKE BEFORE BREAK 		$\frac{5.5}{1.2}$	$\frac{9.6}{2.2}$	$\frac{0.29}{11.4}$	$\frac{2.9}{.11}$	250
GL**05D GL**35D	SLOW ACTING 		$\frac{5.5}{1.2}$	$\frac{7.0}{1.6}$	$\frac{0.29}{11.4}$	$\frac{2.9}{.11}$	250
GL**06D GL**36D	SLOW ACTING 		$\frac{5.5}{1.2}$	$\frac{7.0}{1.6}$	$\frac{0.29}{11.4}$	$\frac{2.9}{.11}$	250
GL**20D GL**22D GL**24D GL**32D	SNAP ACTION CONTACTS DOUBLE POLE 		$\frac{5.5}{1.2}$	$\frac{7.0}{1.6}$	$\frac{0.29}{11.4}$	$\frac{2.9}{.11}$	250
GL**21D GL**25D GL**28D GL**31D	STEP 1 STEP 2 SNAP ACTION CONTACTS DOUBLE POLE SEQUENTIAL 		$\frac{5.5}{1.2}$	N/A	$\frac{0.29}{11.4}$	$\frac{2.9}{.11}$	250

MGL SERIES CHART 1
 DRAWING NUMBER: 11 OF 13
 RELEASE NO.:
 PTC/CAD: 3D
 DRAWN: GH, 05MARC01
 CHECK: CMH, 12OCT12
 APPROVED: 16
 ISSUE: 0002986
 REV: 0002986
 DATE: 02/14/04
 BY: 0023759
 APPR: 07/15/06
 BY: 0037216
 APPR: 08/18/08
 BY: 0043629
 APPR: 05/08
 BY: 0048605
 APPR: 007809
 BY: 0078059
 BY: 0094570
 BY: 0094570
 DATE: 12/01/12

THIS DRAWING COVERS A PROPRIETARY ITEM AND IS THE PROPERTY OF MICRO SWITCH, A DIVISION OF HONEYWELL. THIS DRAWING IS NOT TO BE COPIED OR USED WITHOUT THE APPROVAL OF MICRO SWITCH.

FED. MFG. CODE 91929

MICRO SWITCH
a Honeywell Division

SWITCH, ENCLOSED

CATALOG LISTING
GL SERIES CHART 1

THIRD ANGLE PROJECTION

SCALE: -

DO NOT SCALE PRINT

TOLERANCES
APPLY TO DESIGN UNITS. CONVERSIONS ARE ONLY FOR REFERENCE. UNLESS NOTED, TOLERANCES ARE:

	DIM	TOL.	DIM	TOL.
NO PLACES	X	±.04	X	±.0015
ONE PLACE	X	±.01	X	±.0015
TWO PLACES	X	±.0015	X	±.0015
THREE PLACES	X	±.0005	X	±.0015
ANGLES		±2'		

DESIGN UNITS: SI METRIC US CUSTOMARY

WEIGHT

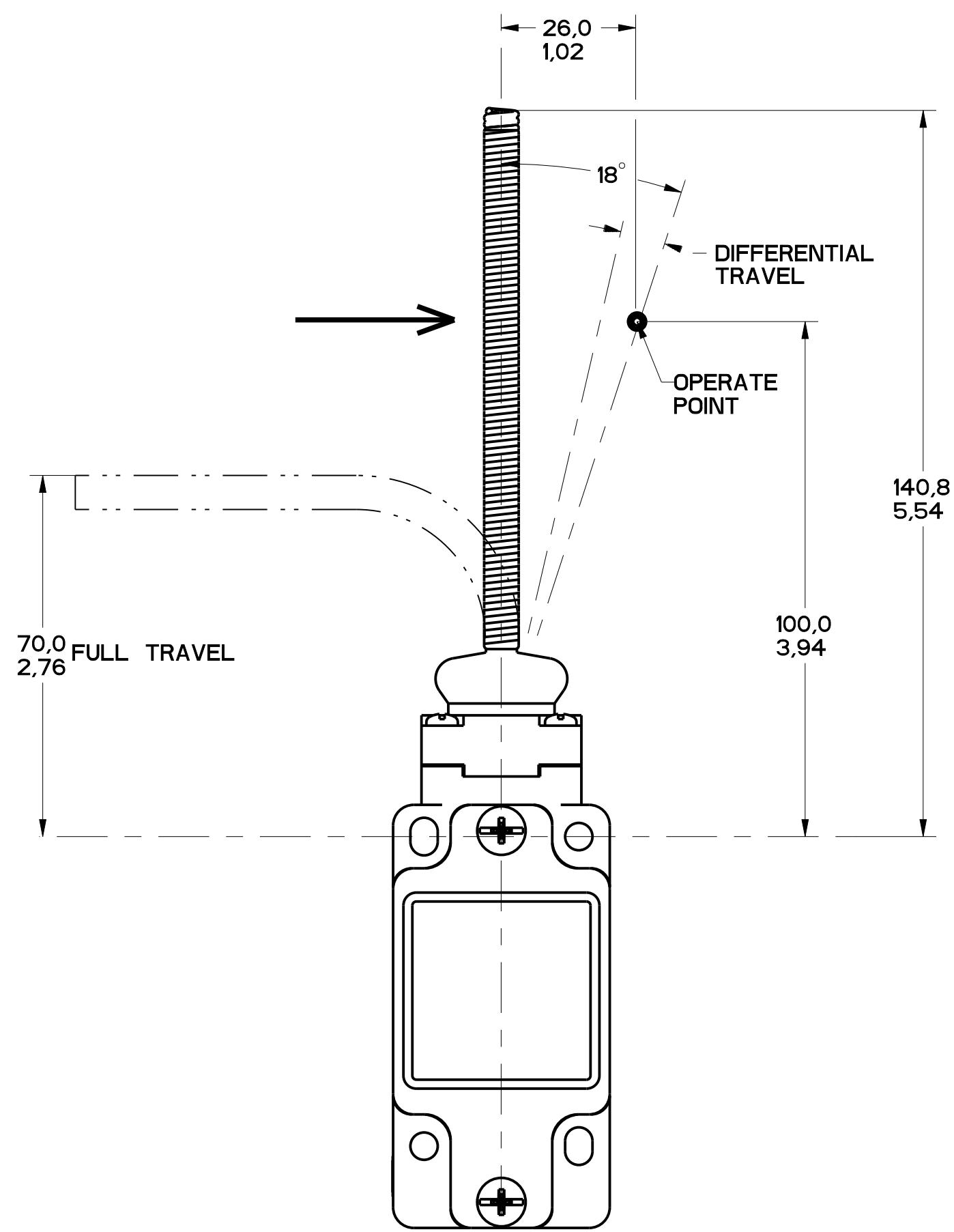


FIGURE 15

MGL SERIES CHART 1

DRAWING NUMBER	12 OF 13	RELEASE NO.
ISSUE	CMH	1202112
16	CMH	0500110
CHECK	CMH	0300110
DESIGNER	SAV	0500110
DRAWN	SAV	0500110
CHECKED	SAV	0500110
APPROVED	SAV	0500110
DATE	0500110	0500110

THIRD ANGLE PROJECTION			
DO NOT SCALE PRINT			
TOLERANCES APPLY TO DESIGN UNITS. CONVERSIONS ARE ONLY FOR REFERENCE, UNLESS NOTED. TOLERANCES ARE:			
NO PLACES	X .04	0.41	0.81
ONE PLACE	X .1	0.51	0.51
TWO PLACES	X .01	0.13	0.13
THREE PLACES	X .001	0.013	0.013
ANGLES	± 2°		
DESIGN UNITS	SI METRIC	US CUSTOMARY	
WEIGHT			

THIS DRAWING COVERS A PROPRIETARY ITEM AND IS THE PROPERTY OF MICRO SWITCH, A DIVISION OF HONEYWELL. THIS DRAWING IS NOT TO BE COPIED OR USED WITHOUT THE APPROVAL OF MICRO SWITCH.			
FED. MFG. CODE 91929	CATALOG LISTING		
MICRO SWITCH a Honeywell Division	SWITCH, ENCLOSED	GL SERIES CHART 1	

FIGURE 15, CAT WISKER HEAD, ANGULAR ACTUATION

CATALOG LISTING	CONTACT BLOCK DIAGRAM	NOMINAL TRAVELS AND RELATED TERMINALS ■ - CONTACT CLOSED, □ - CONTACT OPEN, ▨ - CONTACT CLOSED DIFFERENTIAL TRAVEL	MAXIMUM OPERATING TORQUE $\frac{N-m}{LB-IN}$	MAXIMUM DISCONNECT TORQUE $\frac{N-m}{LB-IN}$	MAX OPERATE DEGREE/S	MIN OPERATE VELOCITY DEGREE/S	MAX OPERATE RATE CYCLES/MIN
GL**01K GL**07K	SNAP - ACTION CONTACTS SINGLE POLE 	21-22 18° 13-14 8° DIFFERENTIAL TRAVEL	0.1 .9	N/A	360	8	100
GL**03K GL**33K	SLOW ACTING BREAK BEFORE MAKE 	21-22 18° 13-14 25	0.1 .9	N/A	360	8	100
GL**04K GL**34K	SLOW ACTING MAKE BEFORE BREAK 	21-22 25° 13-14 18°	0.1 .9	N/A	360	8	100
GL**05K GL**35K	SLOW ACTING 	13-14 25° 23-24	0.1 .9	N/A	360	8	100
GL**06K GL**36K	SLOW ACTING 	11-12 18° 21-22	0.1 .9	N/A	360	8	100
GL**20K GL**22K GL**24K GL**32K	SNAP ACTION CONTACTS DOUBLE POLE 	11-12, 21-22 18° 13-14, 23-24 8° DIFFERENTIAL TRAVEL	0.1 .9	N/A	360	8	100

FIGURE 15, CAT WISKER HEAD, SIDE ACTUATION AT 100mm

CATALOG LISTING	CONTACT BLOCK DIAGRAM	NOMINAL TRAVELS AND RELATED TERMINALS ■ - CONTACT CLOSED, □ - CONTACT OPEN, ▨ - CONTACT CLOSED DIFFERENTIAL TRAVEL	MAXIMUM OPERATING FORCE $\frac{N}{LB}$	MAXIMUM DISCONNECT FORCE $\frac{N}{LB}$	MAX OPERATE VEL $\frac{m/s}{in/s}$	MIN OPERATE VEL $\frac{mm/s}{in/s}$	MAX OPERATE FREQUENCY OPS/MIN
GL**01K GL**07K	SNAP - ACTION CONTACTS SINGLE POLE 	21-22 26 13-14 12 DIFFERENTIAL TRAVEL	1.3 .3	N/A	.5 19.7	11 .43	100
GL**03K GL**33K	SLOW ACTING BREAK BEFORE MAKE 	21-22 26.5 38.1 13-14	1.3 0.3	N/A	.5 19.7	11 .43	100
GL**04K GL**34K	SLOW ACTING MAKE BEFORE BREAK 	21-22 26.5 38.1 13-14	1.3 0.3	N/A	.5 19.7	11 .43	100
GL**05K GL**35K	SLOW ACTING 	13-14 38.1 21-22	1.3 0.3	N/A	.5 19.7	11 .43	100
GL**06K GL**36K	SLOW ACTING 	11-12 26.5 21-22	1.3 0.3	N/A	.5 19.7	11 .43	100
GL**20K GL**22K GL**24K GL**32K	SNAP ACTION CONTACTS DOUBLE POLE 	11-12, 21-22 26 13-14, 23-24 12 DIFFERENTIAL TRAVEL	1.3 0.3	N/A	.5 19.7	11 .43	100

PTC/CAD 3D
 DRAWN: G.H. OSBORN
 CHECK: G.H. OSBORN
 DATE: 08/11/12

16
 ISSUE: 1
 DRAWING NUMBER: 13 OF 13
 RELEASE NO.: 0002986

DESIGNER	DATE	BY	DATE	BY	DATE
G.H. OSBORN	08/11/12	037216	03/12/16	037216	03/12/16
CHECKER	DATE	BY	DATE	BY	DATE
G.H. OSBORN	08/11/12	043629	04/30/12	043629	04/30/12
APPROVER	DATE	BY	DATE	BY	DATE
G.H. OSBORN	08/11/12	048605	04/26/12	048605	04/26/12

THIS DRAWING COVERS A PROPRIETARY ITEM AND IS THE PROPERTY OF MICRO SWITCH, A DIVISION OF HONEYWELL. THIS DRAWING IS NOT TO BE COPIED OR USED WITHOUT THE APPROVAL OF MICRO SWITCH.	FED. MFG. CODE 91929	CATALOG LISTING
MICRO SWITCH a Honeywell Division	SWITCH, ENCLOSED	GL SERIES CHART 1
WEIGHT	DESIGN UNITS	US CUSTOMARY



Стандарт Электрон Связь

Мы молодая и активно развивающаяся компания в области поставок электронных компонентов. Мы поставляем электронные компоненты отечественного и импортного производства напрямую от производителей и с крупнейших складов мира.

Благодаря сотрудничеству с мировыми поставщиками мы осуществляем комплексные и плановые поставки широчайшего спектра электронных компонентов.

Собственная эффективная логистика и склад в обеспечивает надежную поставку продукции в точно указанные сроки по всей России.

Мы осуществляем техническую поддержку нашим клиентам и предпродажную проверку качества продукции. На все поставляемые продукты мы предоставляем гарантию .

Осуществляем поставки продукции под контролем ВП МО РФ на предприятия военно-промышленного комплекса России , а также работаем в рамках 275 ФЗ с открытием отдельных счетов в уполномоченном банке. Система менеджмента качества компании соответствует требованиям ГОСТ ISO 9001.

Минимальные сроки поставки, гибкие цены, неограниченный ассортимент и индивидуальный подход к клиентам являются основой для выстраивания долгосрочного и эффективного сотрудничества с предприятиями радиоэлектронной промышленности, предприятиями ВПК и научно-исследовательскими институтами России.

С нами вы становитесь еще успешнее!

Наши контакты:

Телефон: +7 812 627 14 35

Электронная почта: sales@st-electron.ru

Адрес: 198099, Санкт-Петербург,
Промышленная ул, дом № 19, литера Н,
помещение 100-Н Офис 331