

NLAS7213

High-Speed USB 2.0 (480 Mbps) DPST Switch

The NLAS7213 is a DPST switch optimized for high-speed USB 2.0 applications within portable systems. It features ultra-low off capacitance, $C_{OFF} = 3.0$ pF (typ), and a bandwidth above 1118 MHz. It is optimized for applications that use a single USB interface connector to route multiple signal types. The C_{ON} and R_{ON} of both switches are suitably low to allow the NLAS7213 to pass any speed USB data or audio signals going to a moderately resistive terminal such as an external headset.

The NLAS7213 is protected on all pins with 8 kV Human Body Model ESD protection. It is offered in a 1.5 x 1.5 mm UQFN8 package.

Features

- R_{ON} : 10 Ω Max @ $V_{CC} = 3.3$ V
- C_{OFF} : 3.0 pF Typ @ $V_{CC} = 3.3$ V
- V_{CC} Operating Range: 1.65 V to 4.5 V
- > 1118 MHz Bandwidth
- OVT up to 5.25 V on D+/D- Pins
- 1.5 x 1.5 x 0.55 mm UQFN8
- 8 kV ESD Protection on All Pins
- This is a Pb-Free Device

Typical Applications

- High Speed USB 2.0 Data
- Mobile Phones
- Portable Devices

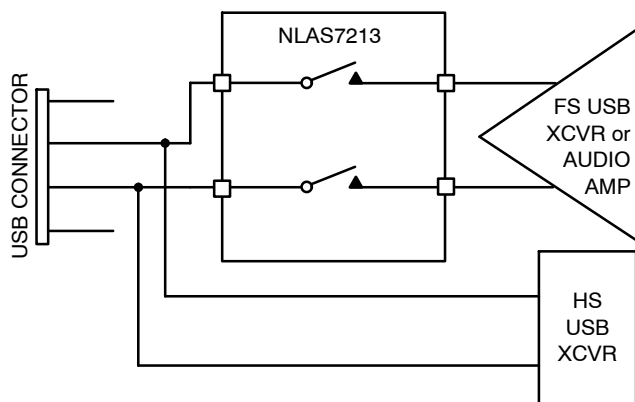


Figure 1. Application Diagram



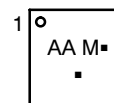
ON Semiconductor®

<http://onsemi.com>

MARKING DIAGRAM



UQFN8
(1.5 x 1.5 mm)
CASE 523AH



AA = Specific Device Code
M = Date Code
▪ = Pb-Free Package

(Note: Microdot may be in either location)

ORDERING INFORMATION

See detailed ordering and shipping information in the package dimensions section on page 8 of this data sheet.

NLAS7213

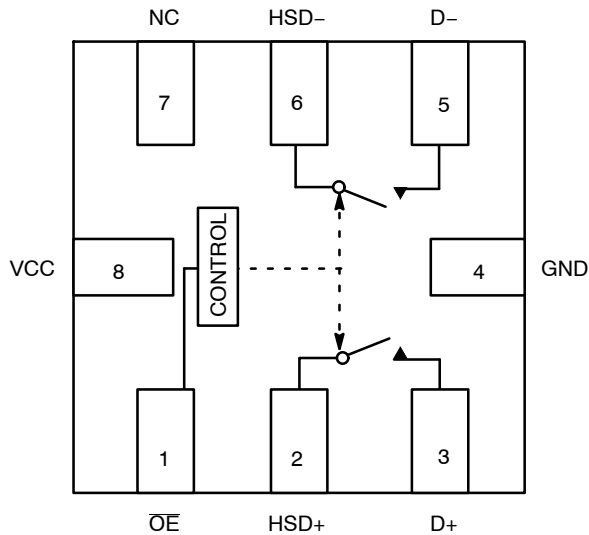


Figure 2. Pin Connections and Logic Diagram
(Top View)

Table 1. PIN DESCRIPTION

Pin	Function
\overline{OE}	Control Input Select Line
HSD+, HSD-, D+, D-	Data Ports

Table 2. TRUTH TABLE

\overline{OE}	Both Switches
1	OPEN
0	CLOSED

MAXIMUM RATINGS

Symbol	Pins	Parameter	Value	Unit
V_{CC}	V_{CC}	Positive DC Supply Voltage	-0.5 to +4.6	V
V_{IS}	HSD+, HSD-	Analog Signal Voltage	-0.5 to $V_{CC} + 0.3$	V
	D+, D-		-0.5 to +5.25	
V_{IN}	\overline{OE}	Control Input Voltage	-0.5 to +4.6	V
I_{CC}	V_{CC}	Positive DC Supply Current	50	mA
T_S		Storage Temperature	-65 to +150	°C
I_{IS_CON}	HSD+, HSD-, D+, D-	Analog Signal Continuous Current—Closed Switch	± 300	mA
I_{IS_PK}	HSD+, HSD-, D+, D-	Analog Signal Continuous Current 10% Duty Cycle	± 500	mA
I_{IN}	\overline{OE}	Control Input Current	± 20	mA

Stresses exceeding Maximum Ratings may damage the device. Maximum Ratings are stress ratings only. Functional operation above the Recommended Operating Conditions is not implied. Extended exposure to stresses above the Recommended Operating Conditions may affect device reliability.

RECOMMENDED OPERATING CONDITIONS

Symbol	Pins	Parameter	Min	Max	Unit
V_{CC}		Positive DC Supply Voltage	1.65	4.5	V
V_{IS}	HSD+, HSD-	Analog Signal Voltage	GND	V_{CC}	V
	D+, D-		GND	4.5	
V_{IN}	\overline{OE}	Digital Select Input Voltage	GND	V_{CC}	V
T_A		Operating Temperature Range	-40	+85	°C

Minimum and maximum values are guaranteed through test or design across the Recommended Operating Conditions, where applicable. Typical values are listed for guidance only and are based on the particular conditions listed for section, where applicable. These conditions are valid for all values found in the characteristics tables unless otherwise specified in the test conditions.

ESD PROTECTION

Symbol	Parameter	Value	Unit
ESD	Human Body Model – All Pins	8.0	kV

NLAS7213

DC ELECTRICAL CHARACTERISTICS

CONTROL INPUT (Typical: T = 25°C, V_{CC} = 3.3 V)

Symbol	Pins	Parameter	Test Conditions	V _{CC} (V)	-40°C to +85°C			Unit
					Min	Typ	Max	
V _{IH}	\overline{OE}	Control Input HIGH Voltage		2.7	1.3	–	–	V
				3.3	1.3			
				4.2	1.4			
V _{IL}	\overline{OE}	Control Input LOW Voltage		2.7	–	–	0.4	V
				3.3			0.4	
				4.2			0.4	
I _{IN}	\overline{OE}	Control Input Leakage Current	V _{IS} = GND	1.65 – 4.5	–	–	±1.0	μA

SUPPLY CURRENT AND LEAKAGE (Typical: T = 25°C, V_{CC} = 3.3 V, V_{IN} = V_{CC} or GND)

Symbol	Pins	Parameter	Test Conditions	V _{CC} (V)	-40°C to +85°C			Unit
					Min	Typ	Max	
I _{CC}	V _{CC}	Quiescent Supply Current	V _{IS} = V _{CC} or GND; I _D = 0 A	1.65 – 4.5	–	–	1.0	μA
I _{NC(OFF)}	HSD+, HSD–	OFF State Leakage Current	V _{COM} = 3.6 V, V _{NC} = 1.0 V	1.65 – 4.5	–	–	±1.0	μA
I _{OFF}		Power OFF Leakage Current	V _{IS} = GND	0	–	–	±1.0	μA

ON RESISTANCE (Typical: T = 25°C, V_{CC} = 3.3 V)

Symbol	Pins	Parameter	Test Conditions	V _{CC} (V)	-40°C to +85°C			Unit
					Min	Typ	Max	
R _{ON}		On-Resistance	I _{ON} = -8 mA V _{IS} = 0 to 0.4 V	2.7	–	9.0	9.5	Ω
				3.3		8.0	8.5	
				4.2		7.2	7.5	
R _{FLAT}		On-Resistance Flatness	I _{ON} = -8 mA V _{IS} = 0 to 0.4 V	2.7	–	0.8	–	Ω
				3.3		0.5		
				4.2		0.3		
ΔR _{ON}		On-Resistance Matching	I _{ON} = -8 mA V _{IS} = 0 to 0.4 V	2.7	–	0.07	–	Ω
				3.3		0.07		
				4.2		0.04		

NLAS7213

AC ELECTRICAL CHARACTERISTICS

TIMING/FREQUENCY (Typical: T = 25°C, V_{CC} = 3.3 V, R_L = 50 Ω, C_L = 35 pF, f = 1 MHz)

Symbol	Pins	Parameter	Test Conditions	V _{CC} (V)	-40°C to +85°C			Unit
					Min	Typ	Max	
t _{ON}		Turn-ON Time (Figures 6, 7)		1.65 – 4.5	–	13.0	30.0	ns
t _{OFF}		Turn-OFF Time (Figures 6, 7)		1.65 – 4.5	–	12.0	25.0	ns
t _{PD}		Propagation Delay		1.65 – 4.5	–	0.25	–	ns
BW		-3 dB Bandwidth	C _L = 5 pF	1.65 – 4.5	–	1118	–	MHz

ISOLATION (Typical: T = 25°C, V_{CC} = 3.3 V, R_L = 50 Ω, C_L = 5 pF)

Symbol	Pins	Parameter	Test Conditions	-40°C to +85°C			Unit
				Min	Typ	Max	
O _{IRR}	Open	OFF-Isolation	f = 240 MHz	–	-20	–	dB
X _{TALK}	HSD+, HSD-	Non-Adjacent Channel Crosstalk	f = 240 MHz	–	-30	–	dB

CAPACITANCE (Typical: T = 25°C, V_{CC} = 3.3 V, R_L = 50 Ω, C_L = 5 pF, f = 1 MHz)

Symbol	Pins	Parameter	Test Conditions	-40°C to +85°C			Unit
				Min	Typ	Max	
C _{IN}	\overline{OE}	Control Pin Input Capacitance	V _{CC} = 0 V	–	2.0	–	pF
C _{ON}	HSD+, to D+	ON Capacitance	\overline{OE} = 0 V	–	3.0	–	pF
C _{OFF}	HSD+, HSD-	OFF Capacitance	V _{IS} = 3.3 V; \overline{OE} = 3.3 V	–	3.0	–	pF

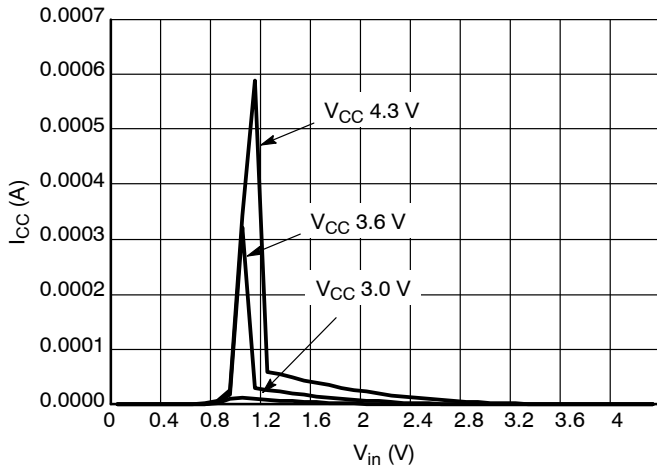


Figure 3. I_{CC} vs. V_{in}

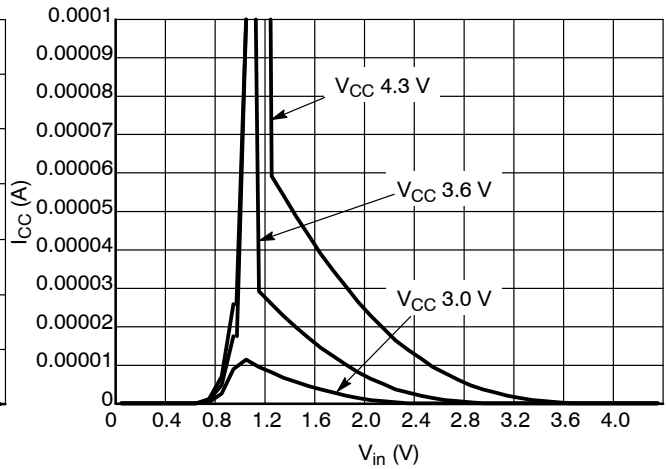


Figure 4. I_{CC} vs. V_{in}

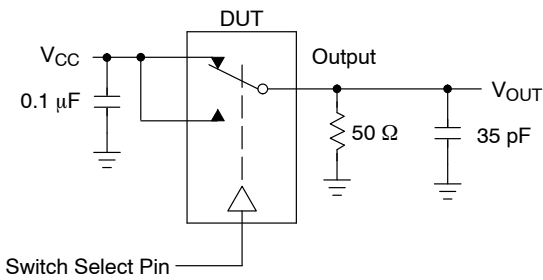


Figure 5. t_{BMM} (Time Break-Before-Make)

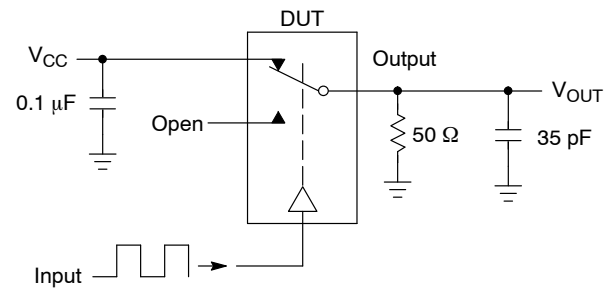
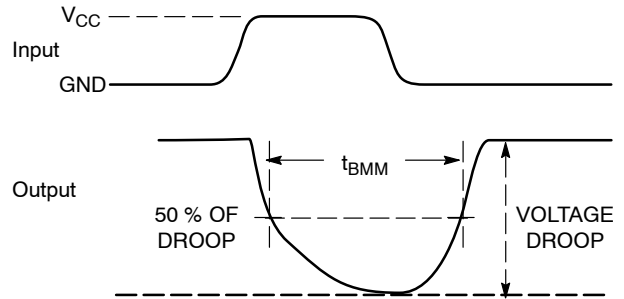


Figure 6. t_{ON}/t_{OFF}

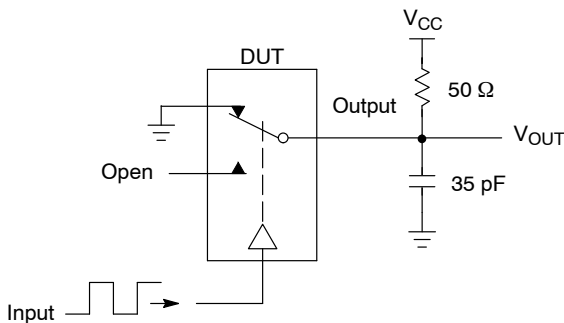
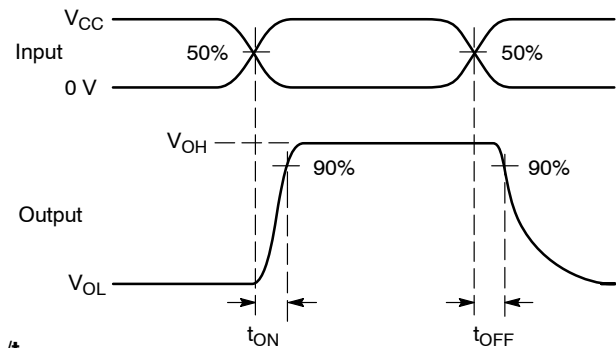
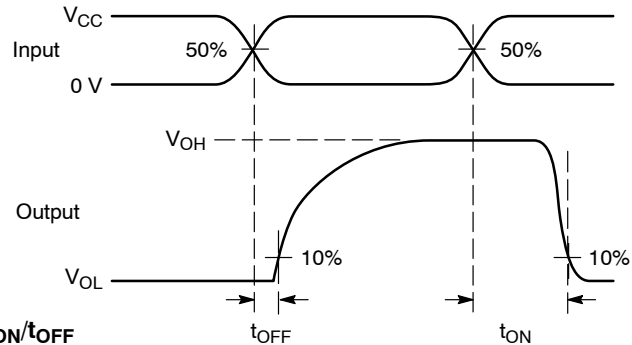
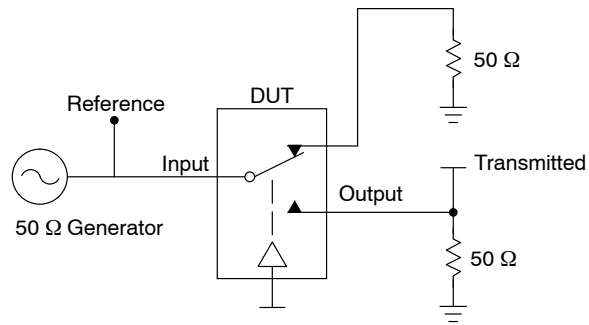


Figure 7. t_{ON}/t_{OFF}



NLAS7213



Channel switch control/s test socket is normalized. Off isolation is measured across an off channel. On loss is the bandwidth of an On switch. V_{ISO} , Bandwidth and V_{ONL} are independent of the input signal direction.

$$V_{ISO} = \text{Off Channel Isolation} = 20 \text{ Log} \left(\frac{V_{OUT}}{V_{IN}} \right) \text{ for } V_{IN} \text{ at } 100 \text{ kHz}$$

$$V_{ONL} = \text{On Channel Loss} = 20 \text{ Log} \left(\frac{V_{OUT}}{V_{IN}} \right) \text{ for } V_{IN} \text{ at } 100 \text{ kHz to } 50 \text{ MHz}$$

Bandwidth (BW) = the frequency 3 dB below V_{ONL}

V_{CT} = Use V_{ISO} setup and test to all other switch analog input/outputs terminated with 50 Ω

Figure 8. Off Channel Isolation/On Channel Loss (BW)/Crosstalk (On Channel to Off Channel)/ V_{ONL}

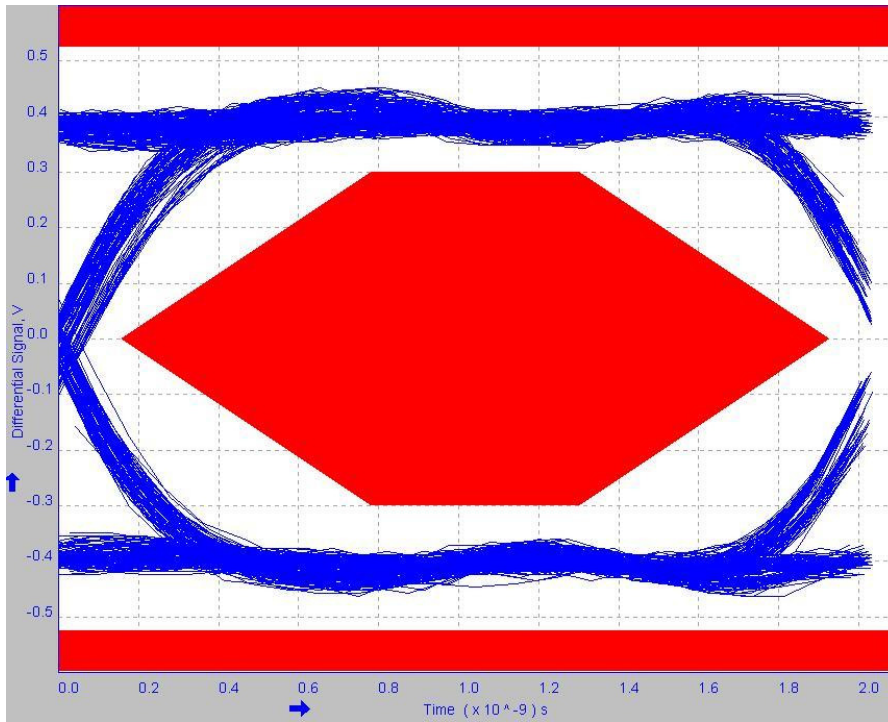


Figure 9. Signal Quality

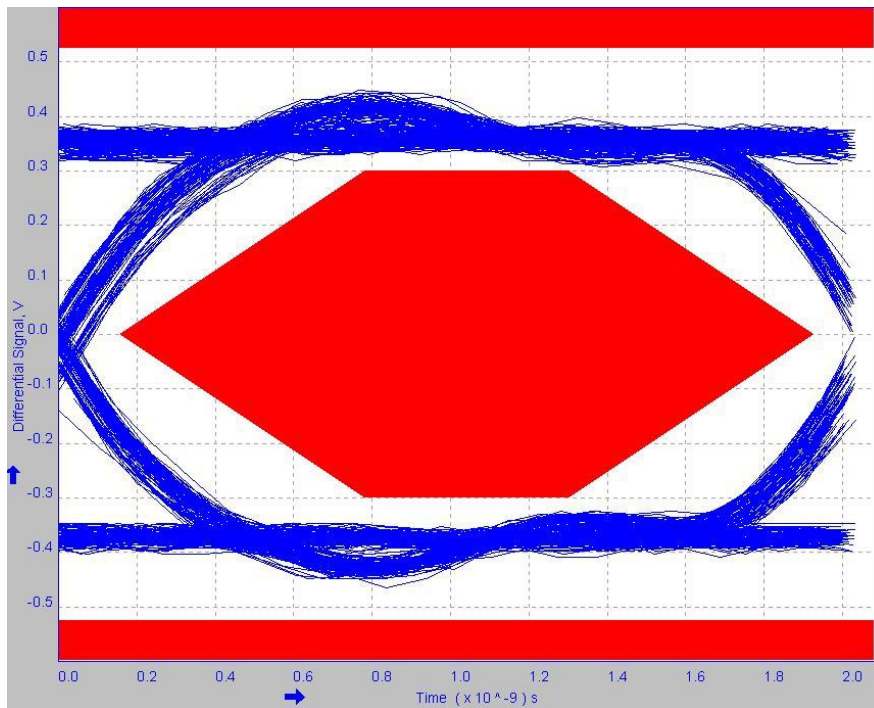


Figure 10. Near End Eye Diagram

NLAS7213

Near End Test Data					Min	Max
Std.	Consecutive Jitter Range	-44.80	76.30	ps	-200 ps	+200 ps
	Paired JK Jitter Range	-63.59	56.33	ps		
	Paired KJ Jitter Range	-44.15	45.68	ps		
NO	Consecutive Jitter Range	-58.40	90.58	ps	-200 ps	+200 ps
	Paired JK Jitter Range	-65.90	70.64	ps		
	Paired KJ Jitter Range	-52.43	55.14	ps		

ORDERING INFORMATION

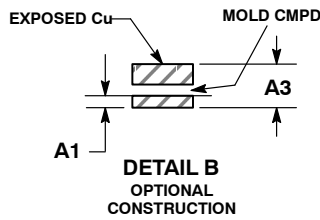
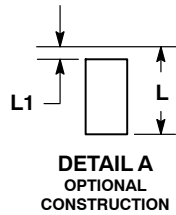
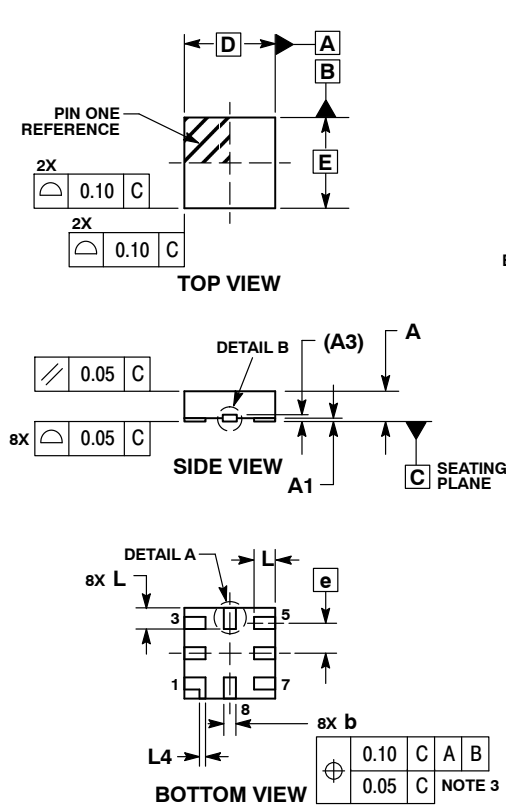
Device	Package	Shipping†
NLAS7213MUTBG	UQFN8 (Pb-Free)	3000 / Tape & Reel

†For information on tape and reel specifications, including part orientation and tape sizes, please refer to our Tape and Reel Packaging Specifications Brochure, BRD8011/D.

NLAS7213

PACKAGE DIMENSIONS

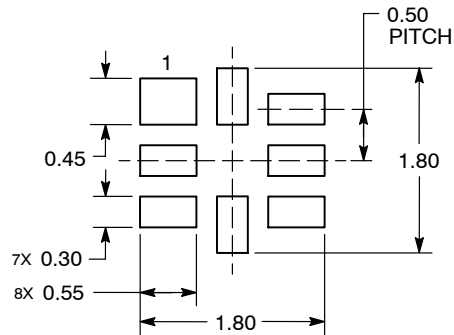
UQFN8, 1.5x1.5, 0.5P
CASE 523AH-01
ISSUE O



- NOTES:
1. DIMENSIONING AND TOLERANCING PER ASME Y14.5M, 1994.
 2. CONTROLLING DIMENSION: MILLIMETERS.
 3. DIMENSION b APPLIES TO PLATED TERMINAL AND IS MEASURED BETWEEN 0.15 AND 0.30 mm FROM TERMINAL.

DIM	MILLIMETERS	
	MIN	MAX
A	0.45	0.55
A1	0.00	0.05
A3	0.13 REF	
b	0.15	0.25
D	1.50 BSC	
E	1.50 BSC	
e	0.50 BSC	
L	0.30	0.40
L1	0.00	0.03
L4	0.10 REF	

SOLDERING FOOTPRINT*



DIMENSIONS: MILLIMETERS

*For additional information on our Pb-Free strategy and soldering details, please download the ON Semiconductor Soldering and Mounting Techniques Reference Manual, SOLDERRM/D.

ON Semiconductor and are registered trademarks of Semiconductor Components Industries, LLC (SCILLC). SCILLC reserves the right to make changes without further notice to any products herein. SCILLC makes no warranty, representation or guarantee regarding the suitability of its products for any particular purpose, nor does SCILLC assume any liability arising out of the application or use of any product or circuit, and specifically disclaims any and all liability, including without limitation special, consequential or incidental damages. "Typical" parameters which may be provided in SCILLC data sheets and/or specifications can and do vary in different applications and actual performance may vary over time. All operating parameters, including "Typicals" must be validated for each customer application by customer's technical experts. SCILLC does not convey any license under its patent rights nor the rights of others. SCILLC products are not designed, intended, or authorized for use as components in systems intended for surgical implant into the body, or other applications intended to support or sustain life, or for any other application in which the failure of the SCILLC product could create a situation where personal injury or death may occur. Should Buyer purchase or use SCILLC products for any such unintended or unauthorized application, Buyer shall indemnify and hold SCILLC and its officers, employees, subsidiaries, affiliates, and distributors harmless against all claims, costs, damages, and expenses, and reasonable attorney fees arising out of, directly or indirectly, any claim of personal injury or death associated with such unintended or unauthorized use, even if such claim alleges that SCILLC was negligent regarding the design or manufacture of the part. SCILLC is an Equal Opportunity/Affirmative Action Employer. This literature is subject to all applicable copyright laws and is not for resale in any manner.

PUBLICATION ORDERING INFORMATION

LITERATURE FULFILLMENT:
Literature Distribution Center for ON Semiconductor
P.O. Box 5163, Denver, Colorado 80217 USA
Phone: 303-675-2175 or 800-344-3860 Toll Free USA/Canada
Fax: 303-675-2176 or 800-344-3867 Toll Free USA/Canada
Email: orderlit@onsemi.com

N. American Technical Support: 800-282-9855 Toll Free
USA/Canada
Europe, Middle East and Africa Technical Support:
Phone: 421 33 790 2910
Japan Customer Focus Center
Phone: 81-3-5773-3850

ON Semiconductor Website: www.onsemi.com
Order Literature: <http://www.onsemi.com/orderlit>

For additional information, please contact your local Sales Representative



**Стандарт
Электрон
Связь**

Мы молодая и активно развивающаяся компания в области поставок электронных компонентов. Мы поставляем электронные компоненты отечественного и импортного производства напрямую от производителей и с крупнейших складов мира.

Благодаря сотрудничеству с мировыми поставщиками мы осуществляем комплексные и плановые поставки широчайшего спектра электронных компонентов.

Собственная эффективная логистика и склад в обеспечивает надежную поставку продукции в точно указанные сроки по всей России.

Мы осуществляем техническую поддержку нашим клиентам и предпродажную проверку качества продукции. На все поставляемые продукты мы предоставляем гарантию .

Осуществляем поставки продукции под контролем ВП МО РФ на предприятия военно-промышленного комплекса России , а также работаем в рамках 275 ФЗ с открытием отдельных счетов в уполномоченном банке. Система менеджмента качества компании соответствует требованиям ГОСТ ISO 9001.

Минимальные сроки поставки, гибкие цены, неограниченный ассортимент и индивидуальный подход к клиентам являются основой для выстраивания долгосрочного и эффективного сотрудничества с предприятиями радиоэлектронной промышленности, предприятиями ВПК и научно-исследовательскими институтами России.

С нами вы становитесь еще успешнее!

Наши контакты:

Телефон: +7 812 627 14 35

Электронная почта: sales@st-electron.ru

Адрес: 198099, Санкт-Петербург,
Промышленная ул, дом № 19, литера Н,
помещение 100-Н Офис 331