



Single-Chip Bluetooth Transceiver Wireless Input Devices

The Cypress CYW20733 is a Bluetooth 3.0 + EDR compliant, stand-alone baseband processor with an integrated 2.4 GHz transceiver. The device is ideal for applications in wireless input devices including game controllers, keyboards, and joysticks. Built-in firmware adheres to the Bluetooth Human Interface Device (HID) profile and Bluetooth Device ID profile specifications. The CYW20733 radio has been designed to provide low power, low cost, and robust communications for applications operating in the globally available 2.4 GHz unlicensed ISM band. It is fully compliant with the Bluetooth Radio Specification 3.0 + EDR. The single-chip Bluetooth transceiver is a monolithic component implemented in a standard digital CMOS process and requires minimal external components to make a fully compliant Bluetooth device. The CYW20733 is available in three package options: a 81-pin, 8 mm × 8 mm FBGA, a 121-pin, 9 mm × 9 mm FBGA, and a 56-pin, 7 mm x 7 mm QFN.

Cypress Part Numbering Scheme

Cypress is converting the acquired IoT part numbers from Broadcom to the Cypress part numbering scheme. Due to this conversion, there is no change in form, fit, or function as a result of offering the device with Cypress part number marking. The table provides Cypress ordering part number that matches an existing IoT part number.

Table 1. Mapping Table for Part Number between Broadcom and Cypress

| Broadcom Part Number | Cypress Part Number |
|----------------------|---------------------|
| BCM20733 | CYW20733 |
| BCM20733A3KFB1G | CYW20733A3KFB1G |
| BCM20733A3KFB2G | CYW20733A3KFB2G |
| BCM20733A3KML1G | CYW20733A3KML1G |

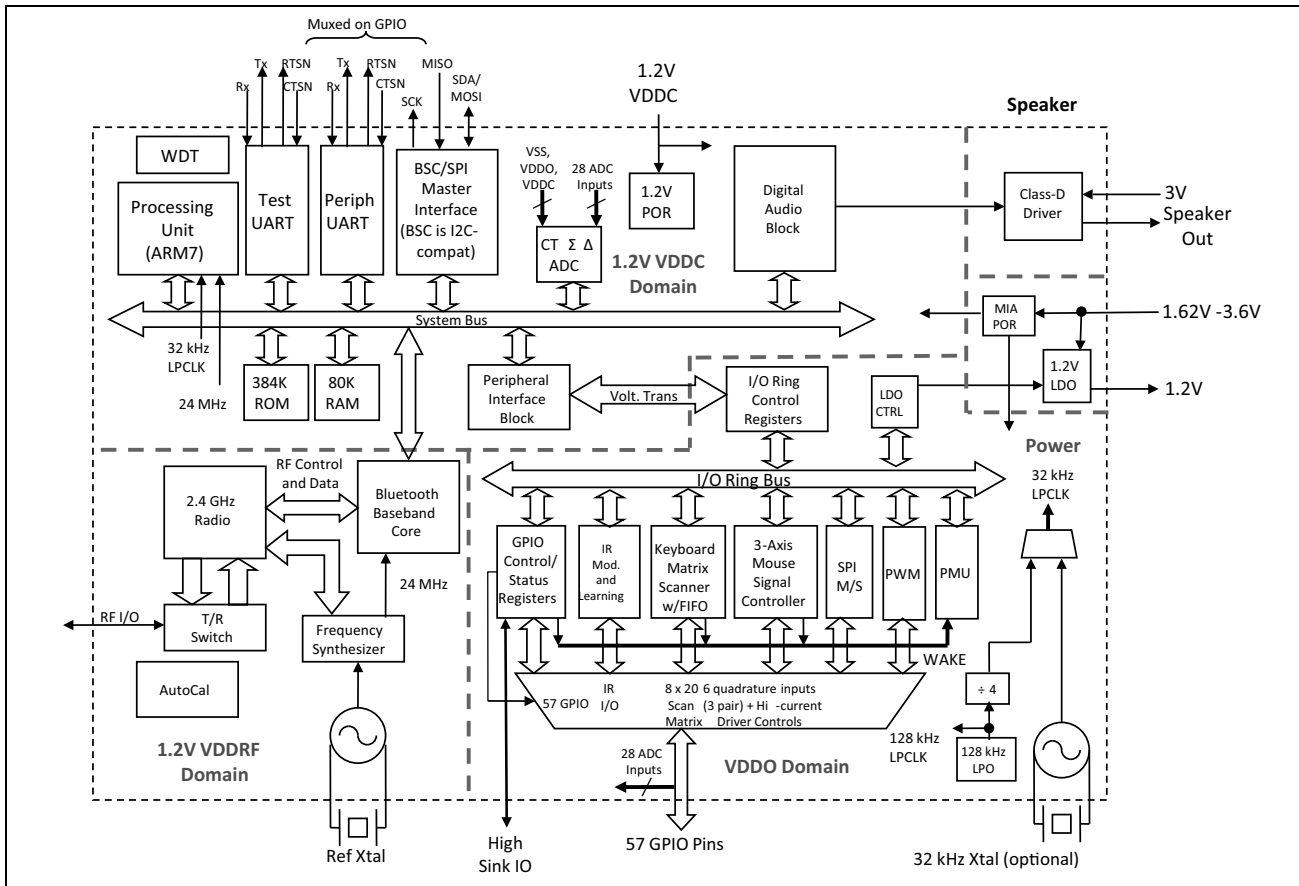
Features

- Integrated LDO to reduce BOM cost
- Bluetooth specification 3.0 + EDR compatible
- Bluetooth HID profile version 1.1 compliant
- Bluetooth Device ID profile version 1.3 compliant
- Supports AFH
- Excellent receiver sensitivity
- On-chip support for common keyboard and mouse interfaces eliminates external processor
- Infrared (IR) modulator
- IR learning
- Integrated 200 mW filterless Class-D audio amplifier
- Triac control
- Triggered Broadcom Fast Connect
- One I/O capable of sinking 100 mA for high-current drive applications
- Programmable key scan matrix interface, up to 8 × 20 key-scanning matrix
- Three-axis quadrature signal decoder
- On-chip support for serial peripheral interface (master and slave modes)
- Broadcom Serial Communications Interface (compatible with Philips® I2C slaves)
- Two independent half-duplex PCM/I2S interfaces
- Real-time clock supported with 32.768 kHz oscillator
- Programmable output power control meets Class 2 or Class 3 requirements
- On-chip PA with a maximum output power of +10dBm without external component
- Integrated ARM7TDMI-S™-based microprocessor core
- On-chip power on reset (POR)
- On-chip software control power management unit
- Three package types available:
 - 81-pin FBGA package (8 mm × 8 mm)
 - 121-pin FBGA package (9 mm × 9 mm)
 - 56-pin QFN package (7 mm x 7 mm)
- RoHS compliant

Applications

- Game controllers
- Wireless pointing devices: mice, trackballs
- Wireless keyboards
- Joysticks
- Point-of-sale (POS) input devices
- Remote controls
- Home automation
- 3D glasses

Figure 1. Functional Block Diagram



Contents

| | | | |
|-----------------------------------------------|----------|------------------------------------------------------------------------------------------|-----------|
| 1. Functional Description | 4 | | |
| 1.1 Integrated Radio Transceiver | 4 | 1.14 Infrared Modulator | 18 |
| 1.1.1 Transmitter Path | 4 | 1.15 Infrared Learning | 19 |
| 1.1.2 Receiver Path | 4 | 1.16 Shutter Control for 3D Glasses | 19 |
| 1.1.3 Local Oscillator | 4 | 1.17 Triac Control | 20 |
| 1.1.4 Calibration | 4 | 1.18 Cypress Proprietary Control Signalling and Triggered Broadcom Fast Connect | 20 |
| 1.1.5 Internal LDO Regulator | 4 | 1.19 Integrated Filterless Class-D Audio Amplifier | 20 |
| 1.2 Microprocessor Unit | 5 | 1.20 High-Current I/O | 21 |
| 1.2.1 EEPROM Interface | 5 | 1.21 Power Management Unit | 22 |
| 1.2.2 Serial Flash Interface | 5 | 1.21.1 RF Power Management | 22 |
| 1.2.3 Internal Reset | 5 | 1.21.2 Host Controller Power Management | 22 |
| 1.2.4 External Reset | 6 | 1.21.3 BBC Power Management | 22 |
| 1.3 Bluetooth Baseband Core | 6 | 2. Pin Assignments | 23 |
| 1.3.1 Frequency Hopping Generator | 6 | 2.1 Ball Maps | 29 |
| 1.3.2 E0 Encryption | 6 | 2.1.1 81-Pin FBGA Ball Map | 29 |
| 1.3.3 Link Control Layer | 6 | 2.1.2 121-Pin FBGA Ball Map | 31 |
| 1.3.4 Adaptive Frequency Hopping | 6 | 2.1.3 56-Pin QFN Diagram | 32 |
| 1.3.5 Bluetooth Version 3.0 Features | 6 | 3. Specifications | 33 |
| 1.3.6 Test Mode Support | 7 | 3.1 Electrical Characteristics | 33 |
| 1.4 Peripheral Transport Unit (PTU) | 7 | 3.2 RF Specifications | 37 |
| 1.4.1 Broadcom Serial Control Interface | 7 | 3.3 Timing and AC Characteristics | 39 |
| 1.4.2 UART Interface | 8 | 3.3.1 UART Timing | 39 |
| 1.5 PCM Interface | 9 | 3.3.2 SPI Timing | 40 |
| 1.5.1 System Diagram | 9 | 3.3.3 BSC Interface Timing | 41 |
| 1.5.2 Slot Mapping | 10 | 3.3.4 PCM Interface Timing | 43 |
| 1.5.3 Frame Synchronization | 10 | 3.3.5 I ² S Timing | 48 |
| 1.5.4 Data Formatting | 10 | 4. Mechanical Information | 53 |
| 1.6 I ² S Interface | 10 | 4.0.1 Tape Reel and Packaging Specifications | 56 |
| 1.7 Clock Frequencies | 10 | 5. Ordering Information | 62 |
| 1.7.1 Crystal Oscillator | 10 | 6. IoT Resources | 62 |
| 1.8 GPIO Port | 12 | A. Acronyms and Abbreviations | 62 |
| 1.9 Keyboard Scanner | 12 | Document History | 64 |
| 1.9.1 Theory of Operation | 13 | Sales, Solutions, and Legal Information | 67 |
| 1.10 Mouse Quadrature Signal Decoder | 13 | | |
| 1.10.1 Theory of Operation | 13 | | |
| 1.11 ADC Port | 13 | | |
| 1.12 PWM | 14 | | |
| 1.13 Serial Peripheral Interface | 15 | | |

1. Functional Description

1.1 Integrated Radio Transceiver

The CYW20733 has an integrated radio transceiver that has been optimized for use in 2.4 GHz Bluetooth wireless systems. It has been designed to provide low power, low cost, robust communications for applications operating in the globally available 2.4 GHz unlicensed ISM band. It is fully compliant with Bluetooth Radio Specification 3.0 + EDR and meets or exceeds the requirements to provide the highest communication link quality of service.

1.1.1 Transmitter Path

The CYW20733 features a fully integrated zero IF transmitter. The baseband transmit data is GFSK modulated in the modem block and upconverted to the 2.4 GHz ISM band. The transmit path consists of signal filtering, I/Q upconversion, output power amplification, and RF filtering. It also incorporates the $\pi/4$ -DQPSK and 8-DPSK modulation schemes, which support the 2 Mbps and 3 Mbps enhanced data rates, respectively.

Digital Modulator

The digital modulator performs the data modulation and filtering required for the GFSK, $\pi/4$ -DQPSK, and 8-DPSK signals. The fully digital modulator minimizes any frequency drift or anomalies in the modulation characteristics of the transmitted signal and is much more stable than direct VCO modulation schemes.

Power Amplifier

The integrated power amplifier (PA) for the CYW20733 can transmit at a maximum power of +4 dBm for class 2 operation. The transmit power levels are for basic rate and EDR. Due to the linear nature of the PA, combined with some integrated filtering, no external filters are required for meeting Bluetooth and regulatory harmonic and spurious requirements.

The CYW20733 internal PA can deliver a maximum output power of +10 dBm for basic rate and +8 dBm for EDR with a flexible supply range of 2.5V to 3.0V.

1.1.2 Receiver Path

The receiver path uses a low-IF scheme to downconvert the received signal for demodulation in the digital demodulator and bit synchronizer. The receiver path provides a high degree of linearity, an extended dynamic range, and high-order on-chip channel filtering to ensure reliable operation in the noisy 2.4 GHz ISM band. The front-end topology with built-in out-of-band attenuation enables the CYW20733 to be used in most applications without off-chip filtering.

Digital Demodulator and Bit Synchronizer

The digital demodulator and bit synchronizer take the low-IF received signal and perform an optimal frequency tracking and bit synchronization algorithm.

Receiver Signal Strength Indicator

The radio portion of the CYW20733 provides a receiver signal strength indicator (RSSI) to the baseband. This enables the controller to take part in a Bluetooth power-controlled link by providing a metric of its own receiver signal strength to determine whether the transmitter should increase or decrease its output power.

1.1.3 Local Oscillator

The local oscillator (LO) provides fast frequency hopping (1600 hops/second) across the 79 maximum available channels. The LO subblock employs an architecture for high immunity to LO pulling during PA operation. The CYW20733 uses an internal RF and IF loop filter.

1.1.4 Calibration

The CYW20733 radio transceiver features an automated calibration scheme that is self-contained in the radio. No user interaction is required during normal operation or during manufacturing to provide the optimal performance. Calibration will optimize the gain and phase performance of all the major blocks within the radio to within 2% of optimal conditions. Calibrated blocks include filters, the matching networks between key components, and key gain blocks. The calibration process corrects for both process and temperature variations. It occurs transparently during normal operation and the setting time of the hops and will calibrate for temperature variations as the device cools and heats during normal operation in its environment.

1.1.5 Internal LDO Regulator

To reduce the external BOM, the CYW20733 has an integrated 1.2V LDO regulator to provide power to the digital and RF circuits and system components. The 1.2V LDO regulator operates from a 1.62V to 3.63V input supply with a 60 mA maximum load current.

In noisy environments, a ferrite bead may be needed between the digital and RF supply pins to isolate noise coupling and suppress noise into the RF circuits.

Note: Always place the decoupling capacitors near the pins as close together as possible.

1.2 Microprocessor Unit

The CYW20733 microprocessor unit (μ PU) runs software from the link control (LC) layer up to the Human Interface Device (HID). The microprocessor is based on an ARM7™ 32-bit RISC processor with embedded ICE-RT debug and JTAG interface units. The μ PU has 320 KB of ROM for program storage and boot-up, 80 KB of RAM for scratch-pad data, and patch RAM code.

The internal boot ROM allows for flexibility during power-on reset to enable the same device to be used in various configurations, including UART, and with an external serial EEPROM or with an external flash memory. At power-up, the lower layer protocol stack is executed from the internal ROM memory.

External patches may be applied to the ROM-based firmware to provide flexibility for bug fixes and feature additions. The device can also support the integration of user applications.

1.2.1 EEPROM Interface

The CYW20733 provides the BSC (Broadcom Serial Control) master interface; the BSC is programmed by the CPU to generate four different types of BSC transfers on the bus: read-only, write-only, combined read/write, and combined write/read. BSC supports both low-speed and fast mode devices. The BSC is compatible with a Philips® I²C slave device, except that master arbitration (multiple I²C masters contending for the bus) is not supported. Native support for Microchip® 24LC128, Microchip 24AA128, and STMicroelectronics® M24128-BR is included.

The EEPROM can contain customer application configuration information, including: application code, configuration data, patches, pairing information, BD_ADDR, baud rate, SDP service record, and file system information used for code.

1.2.2 Serial Flash Interface

The CYW20733 includes an SPI master controller that can be used to access serial flash memory. The SPI master contains an AHB slave interface, transmit and receive FIFOs, and the SPI core PHY logic.

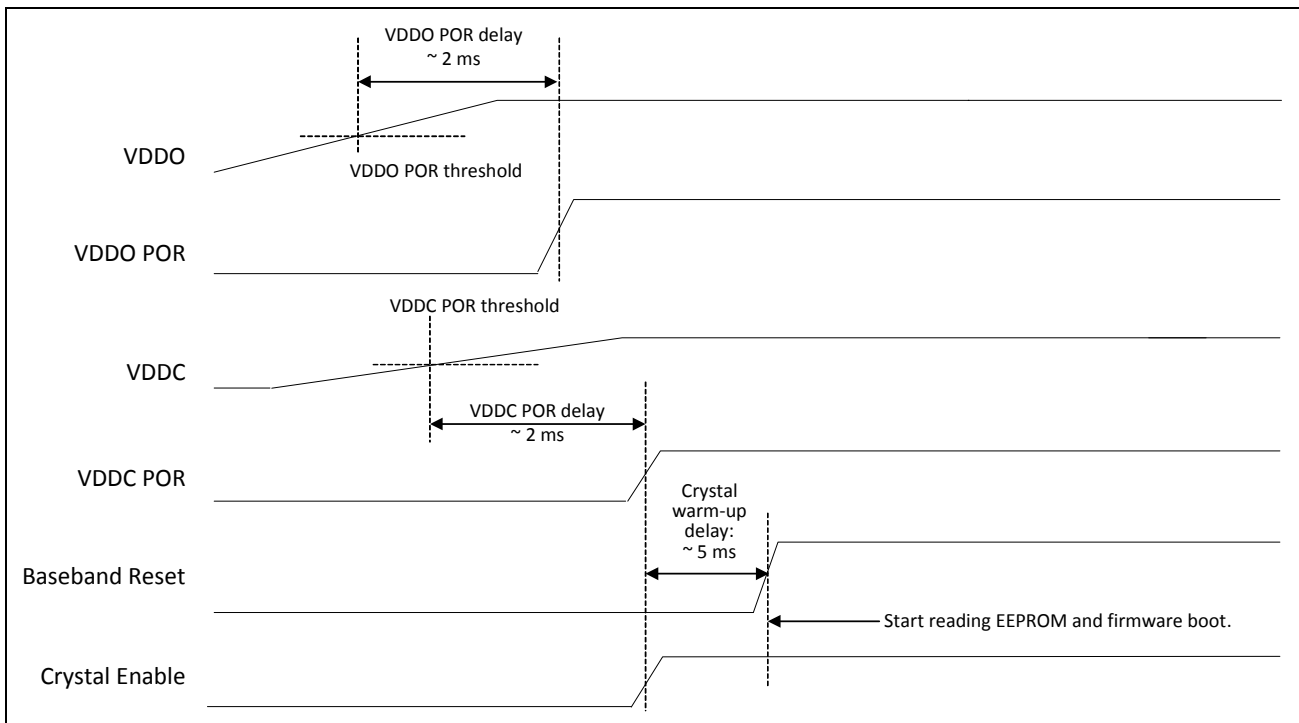
Devices natively supported include the following:

- Atmel® AT25BCM512B
- MXIC MX25V512ZUI-20G

1.2.3 Internal Reset

The CYW20733 has an integrated power-on reset circuit that resets all circuits to a known power-on state.

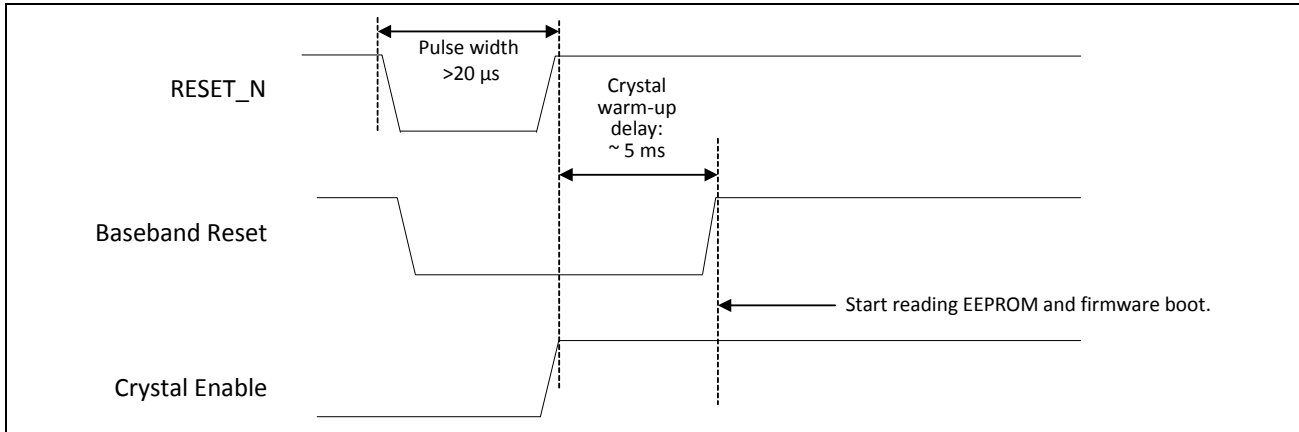
Figure 1. Internal Reset Timing



1.2.4 External Reset

An external active-low reset signal, RESET_N, can be used to put the CYW20733 in the reset state. The RESET_N pin has an internal pull-up resistor and, in most applications, it does not require that anything be connected to it. RESET_N should only be released after the VDDO supply voltage level has been stabilized.

Figure 2. External Reset Timing



1.3 Bluetooth Baseband Core

The Bluetooth Baseband Core (BBC) implements all of the time-critical functions required for high-performance Bluetooth operation. The BBC manages the buffering, segmentation, and routing of data for all connections. It also buffers data that passes through it, handles data flow control, schedules ACL TX/RX transactions, monitors Bluetooth slot usage, optimally segments and packages data into baseband packets, manages connection status indicators, and composes and decodes HCI packets. In addition to these functions, it independently handles HCI event types and HCI command types.

The following transmit and receive functions are also implemented in the BBC hardware to increase reliability and security of the TX/RX data before sending over the air:

- Receive Functions: Symbol timing recovery, data deframing, forward error correction (FEC), header error control (HEC), cyclic redundancy check (CRC), data decryption, and data de-whitening.
- Transmit Functions: Data framing, FEC generation, HEC generation, CRC generation, link key generation, data encryption, and data whitening.

1.3.1 Frequency Hopping Generator

The frequency hopping sequence generator selects the correct hopping channel number depending on the link controller state, Bluetooth clock, and the device address.

1.3.2 E0 Encryption

The encryption key and the encryption engine are implemented using dedicated hardware to reduce software complexity and provide minimal intervention.

1.3.3 Link Control Layer

The Link Control layer is part of the Bluetooth link control functions that are implemented in dedicated logic in the Link Control Unit (LCU). This layer consists of the command controller, which takes commands from the software, and other controllers that are activated or configured by the command controller to perform the link control tasks. Each task performs in a different state in the Bluetooth link controller. STANDBY and CONNECTION are the two major states. In addition, there are five substates: page, page scan, inquiry, inquiry scan, and sniff.

1.3.4 Adaptive Frequency Hopping

The CYW20733 gathers link quality statistics on a channel-by-channel basis to facilitate channel assessment and channel map selection. The link quality is determined using both RF and baseband signal processing to provide a more accurate frequency-hop map.

1.3.5 Bluetooth Version 3.0 Features

The CYW20733 is fully compliant with the Bluetooth 3.0 standard, including the following options:

- Enhanced power control
- HCI read, encryption key size command

The CYW20733 supports all of the new Bluetooth version 2.1 features:

- Extended inquiry response
- Sniff subrating
- Encryption pause and resume
- Secure simple pairing
- Link supervision timeout changed event
- Erroneous data reporting
- Non-automatically flushable packet boundary flag
- Security Mode 4

1.3.6 Test Mode Support

The CYW20733 fully supports Bluetooth Test Mode, as described in Part 1 of the Bluetooth System Version 2.1 specification. This includes the transmitter tests, normal and delayed loopback tests, and reduced hopping sequence.

In addition to the standard Bluetooth test mode, the device supports enhanced testing features to simplify RF debugging and qualification and type approval testing. These features include:

- Fixed frequency carrier wave (unmodulated) transmission
- Simplified type approval measurements (Japan)
- Aid in transmitter performance analysis
- Fixed frequency constant receiver mode
- Receiver output directed to I/O pin
- Direct BER measurements using standard RF test equipment
- Facilitated spurious emissions testing for receive mode
- Fixed frequency constant transmission
- 8-bit fixed pattern or PRBS-9
- Modulated signal measurements with standard RF test equipment
- Connectionless transmitter test
- Hopping or fixed frequency
- Multiple packet types
- Multiple data patterns
- Connectionless receiver test

1.4 Peripheral Transport Unit (PTU)

1.4.1 Broadcom Serial Control Interface

The CYW20733 provides a 2-pin master BSC interface that can be used to retrieve configuration information from an external EEPROM or to communicate with peripherals such as track-ball or touch-pad modules, and motion tracking ICs used in mouse devices. The BSC interface is compatible with I²C slave devices. The BSC does not support multimaster capability or flexible wait-state insertion by either master or slave devices.

Listed below are the transfer clock rates supported by the BSC:

- 100 kHz
- 400 kHz
- 800 kHz (Not a standard I²C-compatible speed.)

- 4 MHz maximum (Compatibility with high-speed I²C-compatible devices is not guaranteed.)

The following transfer types are supported by the BSC:

- Read (up to 127 bytes can be read)
- Write (up to 127 bytes can be written)
- Read-then-Write (Up to 127 bytes can be read, and up to 127 bytes can be written.)
- Write-then-Read (Up to 127 bytes can be written, and up to 127 bytes can be read.)

Hardware controls the transfers, requiring minimal firmware setup and supervision.

The clock pin (SCL) and data pin (SDA) are both open-drain I/O pins. Pull-up resistors external to the CYW20733 are required on both SCL and SDA for proper operation.

1.4.2 UART Interface

The UART physical interface is a standard, 4-wire interface (RX, TX, RTS, and CTS) with adjustable baud rates from 9600 bps to 1.5 Mbps. During initial boot, UART speeds may be limited to 750 kbps. The baud rate may be selected via a vendor-specific UART HCI command. The CYW20733 has a 1040-byte receive FIFO and a 1040-byte transmit FIFO to support enhanced data rates. The interface supports the Bluetooth 3.0 UART HCI (H4) specification. The default baud rate for H4 is 115.2 kbaud.

The UART clock is 24 MHz. The baud rate of the CYW20733 UART is controlled by two values. The first is a UART clock divisor (also called the DLBR register) that divides the UART clock by an integer multiple of 16. The second is a baud rate adjustment (also called the DHBR register) that is used to specify a number of UART clock cycles to stuff in the first or second half of each bit time. Up to eight UART cycles can be inserted into the first half of each bit time, and up to eight UART clock cycles can be inserted into the end of each bit time.

When setting the baud rate manually, the UART clock divisor is an 8-bit value that is stored as 256 minus the chosen divisor. For example, a divisor of 13 is stored as $256 - 13 = 243 = 0xF3$.

The baud rate adjustment is also an 8-bit value, of which the four MSBs are the number of additional clock cycles to insert in the first half of each bit time, and the four LSBs are the number of clock cycles to insert in the second half of each bit time. If either of these two values is over eight, it is rounded to eight.

To compute the baud rate, the calculation is expressed as:

$$24 \text{ MHz} \div ((16 \times \text{UART clock divisor}) + \text{total inserted 24-MHz clock cycles})$$

Table 2 contains example values to generate common baud rates.

Table 2. Common Baud Rate Examples

| Desired Baud Rate (bps) | UART Clock Divisor | Baud Rate Adjustment | | Actual Baud Rate (bps) | Error (%) |
|-------------------------|--------------------|----------------------|------------|------------------------|-----------|
| | | High Nibble | Low Nibble | | |
| 1500000 | 0xFF | 0x00 | 0x00 | 1500000 | 0.00 |
| 921600 | 0xFF | 0x05 | 0x05 | 923077 | 0.16 |
| 460800 | 0xFD | 0x02 | 0x02 | 461538 | 0.16 |
| 230400 | 0xFA | 0x04 | 0x04 | 230769 | 0.16 |
| 115200 | 0xF3 | 0x00 | 0x00 | 115385 | 0.16 |
| 57600 | 0xE6 | 0x00 | 0x00 | 57692 | 0.16 |
| 38400 | 0xD9 | 0x01 | 0x00 | 38400 | 0.00 |
| 28800 | 0xCC | 0x00 | 0x00 | 28846 | 0.16 |
| 19200 | 0xB2 | 0x01 | 0x01 | 19200 | 0.00 |
| 14400 | 0x98 | 0x00 | 0x00 | 14423 | 0.16 |
| 9600 | 0x64 | 0x02 | 0x02 | 9600 | 0.00 |

Normally, the UART baud rate is set by a configuration record downloaded after reset. Support for changing the baud rate during normal HCI UART operation is included through a vendor-specific command that allows the host to adjust the contents of the baud rate registers.

The CYW20733 UART operates correctly with the host UART as long as the combined baud rate error of the two devices is within $\pm 5\%$.

Peripheral UART Interface

The CYW20733 has a second UART that may be used to interface to other peripherals. This peripheral UART is accessed through the optional I/O ports, which can be configured individually and separately for each functional pin as shown in Table 3.

Table 3. CYW20733 Peripheral UART

| Pin Name | pUART_TX | pUART_RX | pUART_CTS_N | pUART_RTS_N |
|---------------------|----------|----------|-------------|-------------|
| Configured pin name | P0 | P2 | P3 | P1 |
| | P5 | P4 | P7 | P6 |
| | P24 | P25 | P35 | P30 |
| | P31 | P33 | – | – |
| | P32 | P34 | – | – |

1.5 PCM Interface

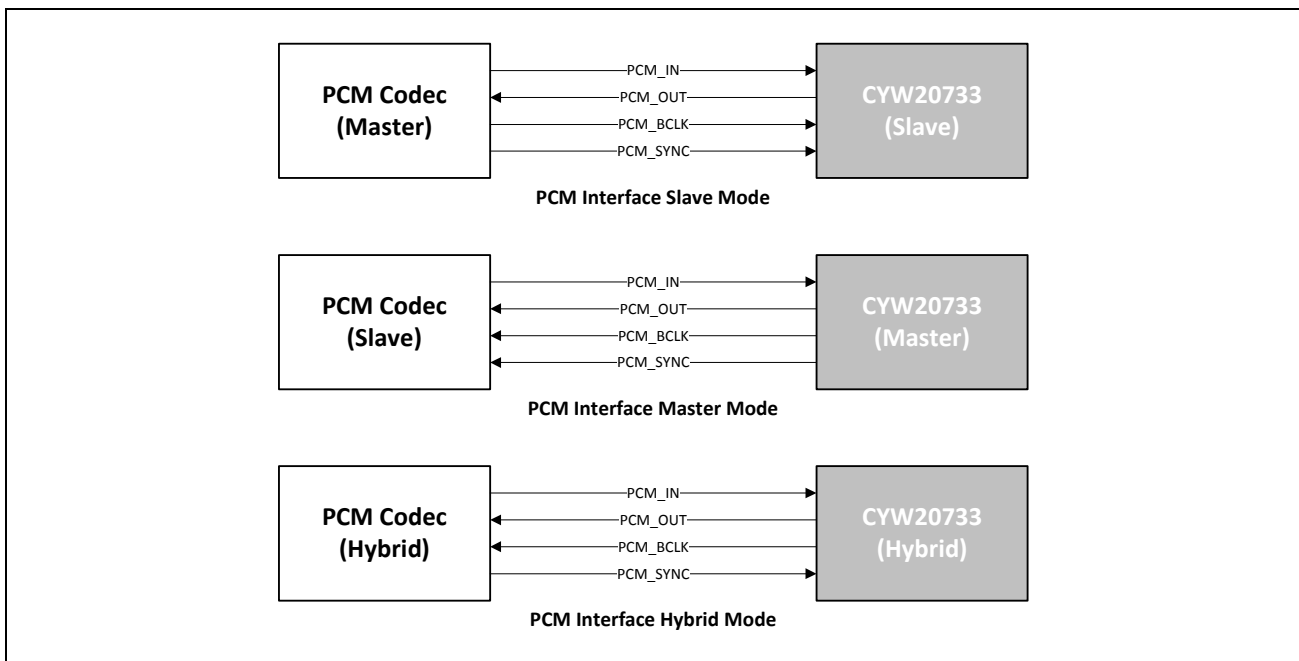
The CYW20733 PCM interface can connect to linear PCM codec devices in master or slave mode. In master mode, the device generates the PCM_BCLK and PCM_SYNC signals. In slave mode, these signals are provided by another master on the PCM interface as inputs to the device.

The channels can be configured to either transmit or receive, but they must be assigned to different time slots. The two half-duplex channels cannot be combined to form a single full-duplex channel.

1.5.1 System Diagram

Figure 3 shows options for connecting the device to a PCM codec device as a master or a slave.

Figure 3. PCM Interface with Linear PCM Codec



1.5.2 Slot Mapping

Table 4. PCM Interface Time-Slotting Scheme

| Audio Sample Rate | Time-Slotting Scheme | | | | | | | | | | | | |
|-------------------|-----------------------------------------------------------------------------------------------------------------------------------------------------------------------------------------------------------------------------------------------------------------------------------------------------------------------------------------------------------------------------|----------------|------|------|--|------|--|-------|--|-------|--|--------|--|
| 8 kHz | The number of slots depends on the selected interface rate, as follows: <table border="1"> <thead> <tr> <th>Interface rate</th> <th>Slot</th> </tr> </thead> <tbody> <tr> <td>1281</td> <td></td> </tr> <tr> <td>2562</td> <td></td> </tr> <tr> <td>5124</td> <td></td> </tr> <tr> <td>10248</td> <td></td> </tr> <tr> <td>204816</td> <td></td> </tr> </tbody> </table> | Interface rate | Slot | 1281 | | 2562 | | 5124 | | 10248 | | 204816 | |
| Interface rate | Slot | | | | | | | | | | | | |
| 1281 | | | | | | | | | | | | | |
| 2562 | | | | | | | | | | | | | |
| 5124 | | | | | | | | | | | | | |
| 10248 | | | | | | | | | | | | | |
| 204816 | | | | | | | | | | | | | |
| 16 kHz | The number of slots depends on the selected interface rate, as follows: <table border="1"> <thead> <tr> <th>Interface rate</th> <th>Slot</th> </tr> </thead> <tbody> <tr> <td>2561</td> <td></td> </tr> <tr> <td>5122</td> <td></td> </tr> <tr> <td>10244</td> <td></td> </tr> <tr> <td>20488</td> <td></td> </tr> </tbody> </table> | Interface rate | Slot | 2561 | | 5122 | | 10244 | | 20488 | | | |
| Interface rate | Slot | | | | | | | | | | | | |
| 2561 | | | | | | | | | | | | | |
| 5122 | | | | | | | | | | | | | |
| 10244 | | | | | | | | | | | | | |
| 20488 | | | | | | | | | | | | | |

The PCM data output driver tri-states its output on unused slots to allow other devices to share the same PCM interface signals. The data output driver tristates its output after the falling edge of the PCM clock during the last bit of the slot.

1.5.3 Frame Synchronization

The device supports both short and long frame synchronization types in both master and slave configurations. In short frame synchronization mode, the frame synchronization signal is an active-high pulse at the 8 kHz audio frame rate (which is a single bit period in width) and synchronized to the rising edge of the bit clock. The PCM slave expects PCM_SYNC to be high on the falling edge of the bit clock and the first bit of the first slot to start at the next rising edge of the clock. In the long frame synchronization mode, the frame synchronization signal is an active-high pulse at the 8 kHz audio frame rate. However, the duration is 3-bit periods, and the pulse starts coincident with the first bit of the first slot.

1.5.4 Data Formatting

The device can be configured to generate and accept several different data formats. The device uses 13 of the 16 bits in each PCM frame. The location and order of these 13 bits is configurable to support various data formats on the PCM interface. The remaining three bits are ignored on the input and may be filled with zeros, ones, a sign bit, or a programmed value on the output. The default format is 13-bit two's complement data, left justified, and clocked most significant bit first.

1.6 I²S Interface

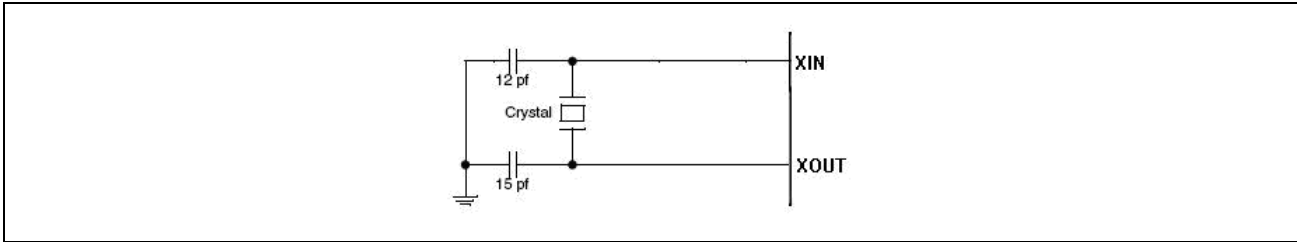
The I²S interface supports up to two half-duplex channels. The channels can be configured to either transmit or receive, but they must be assigned to different time slots (left or right). The two half-duplex channels cannot be combined to form a single full-duplex channel. The I²S interface is capable of operating in either slave or master mode. The device supports a 16-bit data width with 8-kHz and 16-kHz frame rates.

1.7 Clock Frequencies

The CYW20733 is set with a crystal frequency of 24 MHz.

1.7.1 Crystal Oscillator

The crystal oscillator requires a crystal with an accuracy of ± 20 ppm as defined by the Bluetooth specification. Two external load capacitors in the 5 pF to 30 pF range are required to work with the crystal oscillator. The selection of the load capacitors is crystal dependent. [Table 5](#) shows the recommended crystal specification.

Figure 4. Recommended Oscillator Configuration—12 pF Load Crystal

Table 5. Reference Crystal Electrical Specifications

| Parameter | Conditions | Min | Typ | Max | Unit |
|-------------------------------|---------------|-------------|--------|------|----------|
| Input signal amplitude | – | 400 | – | 2000 | mVp-p |
| Nominal frequency | – | – | 24.000 | – | MHz |
| Oscillation mode | – | Fundamental | | | – |
| Frequency tolerance | @25°C | – | ±10 | – | ppm |
| Tolerance stability over temp | @0°C to +70°C | – | ±10 | – | ppm |
| Equivalent series resistance | – | – | – | 50 | Ω |
| Load capacitance | – | – | 12 | – | pF |
| Operating temperature range | – | 0 | – | +70 | °C |
| Storage temperature range | – | –40 | – | +125 | °C |
| Drive level | – | – | – | 200 | μW |
| Aging | – | – | – | ±10 | ppm/year |
| Shunt capacitance | – | – | – | 2 | pF |

HID Peripheral Block

The peripheral blocks of the CYW20733 all run from a single 128-kHz low-power RC oscillator. The oscillator can be turned on at the request of any of the peripherals. If a peripheral is not enabled, it shall not assert its clock request line.

The keyboard scanner is a special case in that it may drop its clock request line even when enabled and then reassert the clock request line if a key-press is detected.

Real-Time Clock and 32 kHz Crystal Oscillator

The CYW20733 has a 48-bit counter that can be configured to be clocked directly from a 32.768 kHz or 32.000 kHz crystal oscillator. The real-time clock counter value is accessible via firmware.

Figure 5 shows the 32 kHz crystal (XTAL) oscillator with external components, and Table 6 lists the oscillator's characteristics. It is a standard Pierce oscillator using a comparator with hysteresis on the output to create a single-ended digital output. The hysteresis was added to eliminate any chatter when the input is around the threshold of the comparator and is ~100 mV. This circuit can be operated with a 32 kHz or 32.768 kHz crystal oscillator or be driven with a clock input at a similar frequency. The default component values are: R1 = 10 MΩ, C1 = C2 = ~10 pF. The values of C1 and C2 are used to fine-tune the oscillator.

Figure 5. 32-kHz Oscillator Block Diagram

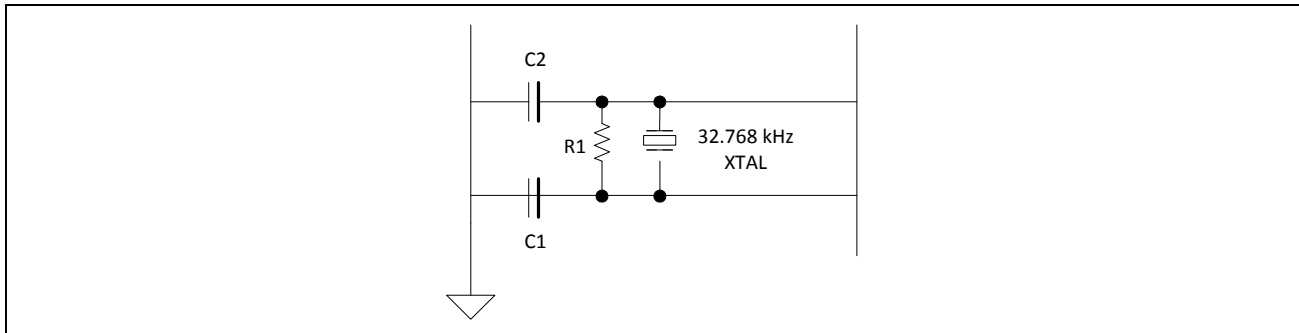


Table 6. XTAL Oscillator Characteristics

| Parameter | Symbol | Conditions | Minimum | Typical | Maximum | Unit |
|------------------------|---------------|-----------------------|---------|---------|---------|-----------|
| Output frequency | F_{oscout} | – | – | 32.768 | – | kHz |
| Frequency tolerance | – | Crystal dependent | – | 100 | – | ppm |
| Start-up time | $T_{startup}$ | – | – | – | 500 | ms |
| XTAL drive level | P_{drv} | For crystal selection | 0.5 | – | – | μW |
| XTAL series resistance | R_{series} | For crystal selection | – | – | 70 | $k\Omega$ |
| XTAL shunt capacitance | C_{shunt} | For crystal selection | – | – | 1.3 | pF |

1.8 GPIO Port

The CYW20733 has 40 general-purpose I/Os (GPIOs) in the 81-pin package and 58 GPIOs in the 121-pin package. All GPIOs support programmable pull-ups and are capable of driving up to 8 mA at 3.3V or 4 mA at 1.8V, except P26, P27, P28, and P29, which are capable of driving up to 16 mA at 3.3V or 8 mA at 1.8V. GPIO P57 is capable of sinking 100 mA for VDDIO = 3.0V and 60 mA for VDDIO = 1.62V.

Port 0–Port 1, Port 8–Port 18, Port 20–Port 23, and Port 28–Port 38

All of these pins can be programmed as ADC inputs.

Port 26–Port 29

P[26:29] consist of four pins. All pins are capable of sinking up to 16 mA for LEDs. These pins also have the PWM function, which can be used for LED dimming.

1.9 Keyboard Scanner

The keyboard scanner is designed to autonomously sample keys and store them into buffer registers without the need for the host microcontroller to intervene. The scanner has the following features:

- Ability to turn off its clock if no keys are pressed.
- Sequential scanning of up to 160 keys in an 8 × 20 matrix.
- Programmable number of columns from 1 to 20.
- Programmable number of rows from 1 to 8.
- 16-byte key-code buffer (can be augmented by firmware).
- 128 kHz clock—allows scanning of full 160-key matrix in about 1.2 ms.
- N-key rollover with selective 2-key lockout if ghost is detected.
- Keys are buffered until host microcontroller has a chance to read it, or until overflow occurs.

- Hardware debouncing and noise/glitch filtering.
- Low-power consumption. Single-digit μ A-level sleep current.

1.9.1 Theory of Operation

The key scan block is controlled by a state machine with the following states:

Idle

The state machine begins in the idle state. In this state, all column outputs are driven high. If any key is pressed, a transition occurs on one of the row inputs. This transition causes the 128 kHz clock to be enabled (if it is not already enabled by another peripheral) and the state machine to enter the scan state. Also in this state, an 8-bit row-hit register and an 8-bit key-index counter is reset to 0.

Scan

In the scan state, a row counter counts from 0 up to a programmable number of rows minus 1. After the last row is reached, the row counter is reset and the column counter is incremented. This cycle repeats until the row and column counters are both at their respective terminal count values. At that point, the state machine moves into the Scan-End state.

As the keys are being scanned, the key-index counter is incremented. This counter is the value compared to the modifier key codes stored, or in the key-code buffer if the key is not a modifier key. It can be used by the microprocessor as an index into a lookup table of usage codes.

Also, as the n th row is scanned, the row-hit register is ORed with the current 8-bit row input values if the current column contains two or more row hits. During the scan of any column, if a key is detected at the current row, and the row-hit register indicates that a hit was detected in that same row on a previous column, then a ghost condition may have occurred, and a bit in the status register is set to indicate this.

Scan End

This state determines whether any keys were detected while in the scan state. If yes, the state machine returns to the scan state. If no, the state machine returns to the idle state, and the 128 kHz clock request signal is made inactive.

The microcontroller can poll the key status register.

1.10 Mouse Quadrature Signal Decoder

The mouse signal decoder is designed to autonomously sample two quadrature signals commonly generated by an optomechanical mouse. The decoder has the following features:

- Three pairs of inputs for X, Y, and Z (typical scroll wheel) axis signals. Each axis has two options:
 - For the X axis, choose P2 or P32 as X0 and P3 or P33 as X1.
 - For the Y axis, choose P4 or P34 as Y0 and P5 or P35 as Y1.
 - For the Z axis, choose P6 or P36 as Z0 and P7 or P37 as Z1.
- Control of up to four external high-current GPIOs to power external optoelectronics:
 - Turn-on and turn-off time can be staggered for each HC-GPIO to avoid simultaneous switching of high currents and having multiple high-current devices on at the same time.
 - Sample time can be staggered for each axis.
 - Sense of the control signal can be active high or active low.
 - Control signal can be tristated for off condition or driven high or low, as appropriate.

1.10.1 Theory of Operation

The mouse decoder block has four 10-bit PWMs for controlling external quadrature devices and sampling the quadrature inputs at its core.

The GPIO signals may be used to control such items as LEDs, external ICs that may emulate quadrature signals, photodiodes, and photodetectors.

1.11 ADC Port

The CYW20733 contains a 16-bit ADC.

Additionally:

- There are 28 analog input channels. All channels are multiplexed on various GPIOs.
- There is a built-in reference with bandgap-based reference modes.
- The maximum conversion rate is 187 kHz.
- There is a rail-to-rail input swing.

The ADC consists of an analog ADC core that performs the actual analog-to-digital conversion and digital hardware that processes the output of the ADC core into valid ADC output samples. Directed by the firmware, the digital hardware also controls the input multiplexers that select the ADC input signal (V_{inp}) and the ADC reference signals (V_{ref}).

Table 7. Sampling Rate and Effective Number of Bits

| Mode | Effective Number of Bits (ENOB) | | Sampling Rate (kHz) | Latency ^a (μs) |
|------|---------------------------------|---------|---------------------|---------------------------|
| | Minimum | Typical | | |
| 0 | 10.4 | 13.0 | 5.859 | 171 |
| 1 | 10.2 | 12.6 | 11.7 | 85 |
| 2 | 9.7 | 12.0 | 46.875 | 21 |
| 3 | 9.3 | 11.5 | 93.75 | 11 |
| 4 | 7.9 | 10.0 | 187 | 5 |

a. Settling time of the ADC and filter after switching channels.

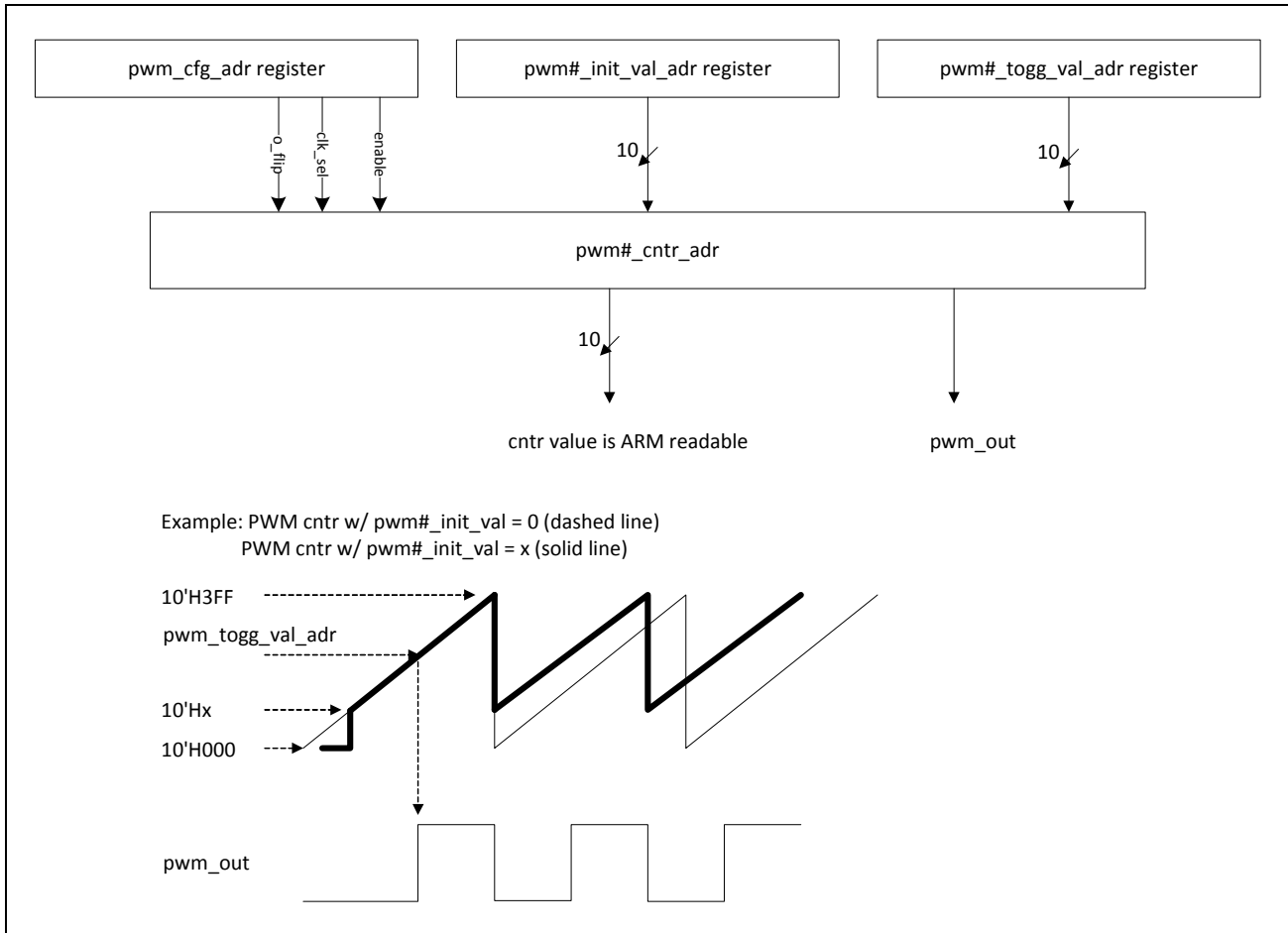
1.12 PWM

The CYW20733 has four internal PWMs. The PWM module consists of the following:

- PWM1–4
- Each of the four PWM channels, PWM1–4, contains the following registers:
 - 10-bit initial value register (read/write)
 - 10-bit toggle register (read/write)
 - 10-bit PWM counter value register (read)
- PWM configuration register shared among PWM1–4 (read/write). This 12-bit register is used:
 - To configure each PWM channel
 - To select the clock of each PWM channel
 - To change the phase of each PWM channel

Figure 6 on page 15 shows the structure of one PWM.

Figure 6. PWM Block Diagram



1.13 Serial Peripheral Interface

The CYW20733 has two independent SPI interfaces. One is a master-only interface (SPI_1) and the other (SPI_2) can be either a master or a slave. Each interface has a 64-byte transmit buffer and a 64-byte receive buffer. To support more flexibility for user applications, the CYW20733 has optional I/O ports that can be configured individually and separately for each functional pin, as shown in Table 8. The CYW20733 acts as an SPI master device that supports 1.8V or 3.3V SPI slaves. The CYW20733 can also act as an SPI slave device that supports a 1.8V or 3.3V SPI master.

Note: SPI voltage depends on VDDO/VDDM; therefore, it defines the type of devices that can be supported.

Table 8. CYW20733 First SPI Set (Master Mode)

| Pin Name | SPI_CLK | SPI_MOSI | SPI_MISO | SPI_CS ^a |
|---------------------|---------|----------|------------------|---------------------|
| Configured Pin Name | SCL | SDA | P24 | — |
| | — | — | P26 | — |
| | — | — | P32 ^b | P33 ^b |
| | — | — | P39 | — |

a. Any GPIO can be used as SPI_CS when SPI is in master mode.

b. Default for serial flash.

Table 9. CYW20733 Second SPI Set (Master Mode)

| Configuration | SPI_CLK | SPI_MOSI | SPI_MISO | SPI_CS ^a |
|---------------|---------|----------|----------|---------------------|
| 1 | p3 | p0 | p1 | – |
| 2 | p3 | p0 | p5 | – |
| 3 | p3 | p4 | p1 | – |
| 4 | p3 | p4 | p5 | – |
| 5 | p3 | p27 | p1 | – |
| 6 | p3 | p27 | p5 | – |
| 7 | p3 | p38 | p1 | – |
| 8 | p3 | p38 | p5 | – |
| 9 | p7 | p0 | p1 | – |
| 10 | p7 | p0 | p5 | – |
| 11 | p7 | p4 | p1 | – |
| 12 | p7 | p4 | p5 | – |
| 13 | p7 | p27 | p1 | – |
| 14 | p7 | p27 | p5 | – |
| 15 | p7 | p38 | p1 | – |
| 16 | p7 | p38 | p5 | – |
| 17 | p24 | p0 | p25 | – |
| 18 | p24 | p4 | p25 | – |
| 19 | p24 | p27 | p25 | – |
| 20 | P24 | P38 | P25 | – |
| 21 | p36 | p0 | p25 | – |
| 22 | p36 | p4 | p25 | – |
| 23 | p36 | p27 | p25 | – |
| 24 | P36 | P38 | p25 | – |

a. Any GPIO can be used as SPI_CS when SPI is in master mode.

Table 10. CYW20733 Second SPI Set (Slave Mode)

| Configuration | SPI_CLK | SPI_MOSI | SPI_MISO | SPI_CS |
|---------------|---------|----------|----------|--------|
| 1 | p3 | p0 | p1 | p6 |
| 2 | p3 | p0 | p1 | p2 |
| 3 | p3 | p0 | p5 | p6 |
| 4 | p3 | p0 | p5 | p2 |
| 5 | p3 | p0 | p25 | p6 |
| 6 | p3 | p0 | p25 | p2 |
| 7 | p3 | p4 | p1 | p6 |
| 8 | p3 | p4 | p1 | p2 |
| 9 | p3 | p4 | p5 | p6 |
| 10 | p3 | p4 | p5 | p2 |
| 11 | p3 | p4 | p25 | p6 |
| 12 | p3 | p4 | p25 | p2 |
| 13 | p7 | p0 | p1 | p2 |
| 14 | p7 | p0 | p1 | p6 |
| 15 | p7 | p0 | p5 | p6 |
| 16 | p7 | p0 | p5 | p2 |
| 17 | p7 | p0 | p25 | p2 |
| 18 | p7 | p0 | p25 | p6 |
| 19 | p7 | p4 | p1 | p6 |
| 20 | p7 | p4 | p1 | p2 |
| 21 | p7 | p4 | p5 | p6 |
| 22 | p7 | p4 | p5 | p2 |
| 23 | p7 | p4 | p25 | p2 |
| 24 | p7 | p4 | p25 | p6 |
| 25 | p24 | p27 | p1 | p26 |
| 26 | p24 | p27 | p1 | p32 |
| 27 | p24 | p27 | p1 | p39 |
| 28 | p24 | p27 | p5 | p26 |
| 29 | p24 | p27 | p5 | p32 |
| 30 | p24 | p27 | p5 | p39 |
| 31 | P24 | P27 | P25 | P26 |
| 32 | p24 | p27 | p25 | p32 |
| 33 | P24 | P27 | P25 | P39 |
| 34 | p24 | p33 | p1 | p26 |
| 35 | p24 | p33 | p1 | p32 |
| 36 | p24 | p33 | p1 | p39 |
| 37 | p24 | p33 | p5 | p26 |
| 38 | p24 | p33 | p5 | p32 |
| 39 | p24 | p33 | p5 | p39 |
| 40 | P24 | P33 | P25 | P26 |
| 41 | p24 | p33 | p25 | p32 |
| 42 | P24 | P33 | P25 | P39 |
| 43 | p24 | p38 | p1 | p26 |
| 44 | p24 | p38 | p1 | p32 |
| 45 | p24 | p38 | p1 | p39 |

Table 10. CYW20733 Second SPI Set (Slave Mode) (Cont.)

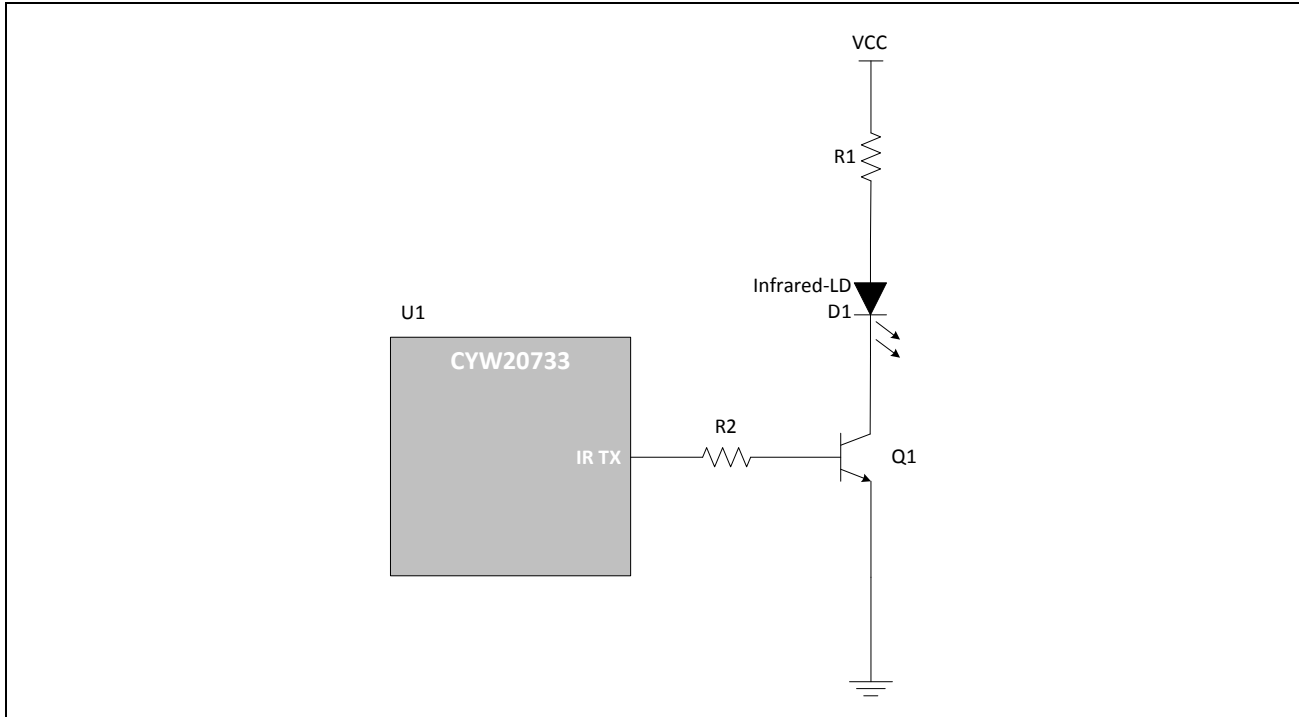
| Configuration | SPI_CLK | SPI_MOSI | SPI_MISO | SPI_CS |
|---------------|---------|----------|----------|--------|
| 46 | p24 | p38 | p5 | p26 |
| 47 | p24 | p38 | p5 | p32 |
| 48 | p24 | p38 | p5 | p39 |
| 49 | P24 | P38 | P25 | P26 |
| 50 | p24 | p38 | p25 | p32 |
| 51 | P24 | P38 | P25 | P39 |
| 52 | p36 | p27 | p1 | p26 |
| 53 | p36 | p27 | p1 | p32 |
| 54 | p36 | p27 | p1 | p39 |
| 55 | p36 | p27 | p5 | p26 |
| 56 | p36 | p27 | p5 | p32 |
| 57 | p36 | p27 | p5 | p39 |
| 58 | P36 | P27 | P25 | P26 |
| 59 | p36 | p27 | p25 | p32 |
| 60 | P36 | P27 | P25 | P39 |
| 61 | p36 | p33 | p1 | p26 |
| 62 | p36 | p33 | p1 | p32 |
| 63 | p36 | p33 | p1 | p39 |
| 64 | p36 | p33 | p5 | p26 |
| 65 | p36 | p33 | p5 | p32 |
| 66 | p36 | p33 | p5 | p39 |
| 67 | P36 | P33 | P25 | P26 |
| 68 | p36 | p33 | p25 | p32 |
| 69 | P36 | P33 | P25 | P39 |
| 70 | p36 | p38 | p1 | p26 |
| 71 | p36 | p38 | p1 | p32 |
| 72 | p36 | p38 | p1 | p39 |
| 73 | p36 | p38 | p5 | p26 |
| 74 | p36 | p38 | p5 | p32 |
| 75 | p36 | p38 | p5 | p39 |
| 76 | P36 | P38 | P25 | P26 |
| 77 | p36 | p38 | p25 | p32 |
| 78 | P36 | P38 | P25 | P39 |

1.14 Infrared Modulator

The CYW20733 includes hardware support for infrared TX. The hardware can transmit both modulated and unmodulated waveforms. For modulated waveforms, hardware inserts the desired carrier frequency into all IR transmissions. IR TX can be sourced from firmware-supplied descriptors, a programmable bit, or the peripheral UART transmitter.

If descriptors are used, they include IR on/off state and the duration between 1–32767 μ sec. The CYW20733 IR TX firmware driver inserts this information in a hardware FIFO and makes sure that all descriptors are played out without an underrun glitch. See [Figure 7](#).

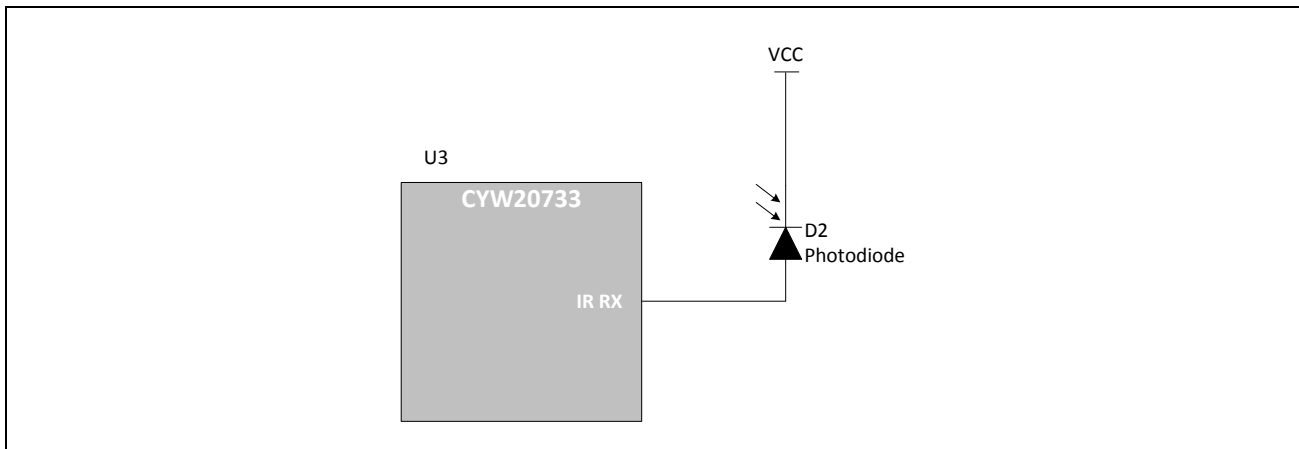
Figure 7. Infrared TX



1.15 Infrared Learning

The CYW20733 includes hardware support for infrared learning. The hardware can detect both modulated and unmodulated signals. For modulated signals, the CYW20733 can detect carrier frequencies between 10–500 kHz and the duration that the signal is present or absent. The CYW20733 firmware driver supports further analysis and compression of a learned signal. A learned signal can then be played back through the CYW20733 IR TX subsystem. See [Figure 8](#).

Figure 8. Infrared RX



1.16 Shutter Control for 3D Glasses

The CYW20733, combined with the CYW20702, provides full system support for 3D glasses on televisions. The CYW20702 gets frame synchronization signals from the TV, converts them into proprietary timing control messages, then passes the messages to the CYW20733. The CYW20733 uses these messages to synchronize the shutter control for the 3D glasses with the television frames.

The CYW20733 can provide up to four synchronized control signals for left and right eye shutter control. These four lines can output pulses with microsecond resolution for on and off timing. The total cycle time can be set for any period up to 65535 msec. The pulses are synchronized to each other for left and right eye shutters.

The CYW20733 seamlessly adjusts the timing of the control signals based on control messages from the CYW20702, ensuring that the 3D glasses remain synchronized to the TV display frame.

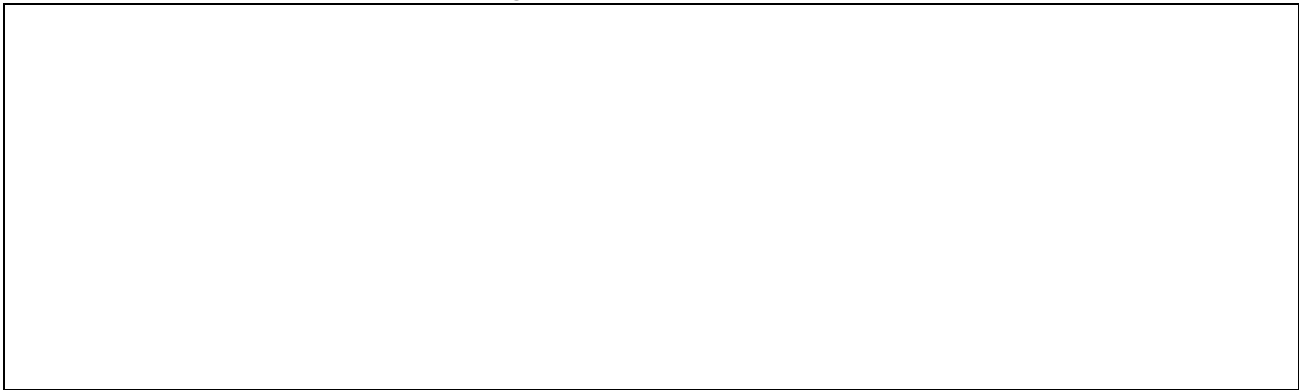
3D hardware control on the CYW20733 works independently of the rest of the system. The CYW20733 negotiates sniff with the CYW20702 and, except for sniff resynchronization periods, most of the CYW20733 circuitry remains in a low power state while the 3D glasses subsystem continues to provide shutter timing and control pulses. This significantly reduces total system power consumption.

1.17 Triac Control

The CYW20733 includes hardware support for zero-crossing detection and trigger control for up to four triacs. The CYW20733 detects zero-crossing on the AC zero detection line and uses that to provide a pulse that is offset from the zero crossing. This allows the CYW20733 to be used in dimmer applications, as well as any other applications that require a control signal that is offset from an input event.

The zero-crossing hardware includes an option to suppress glitches. See [Figure .](#)

Figure 9. Triac Control (TBD)



1.18 Cypress Proprietary Control Signalling and Triggered Broadcom Fast Connect

Cypress Proprietary Control Signaling (BPCS) and Triggered Broadcom Fast Connect (TBFC) are Cypress-proprietary baseband (ACL) suspension and low-latency reconnection mechanisms that reestablish the baseband connection with the peer controller that also supports BPCS/TBFC.

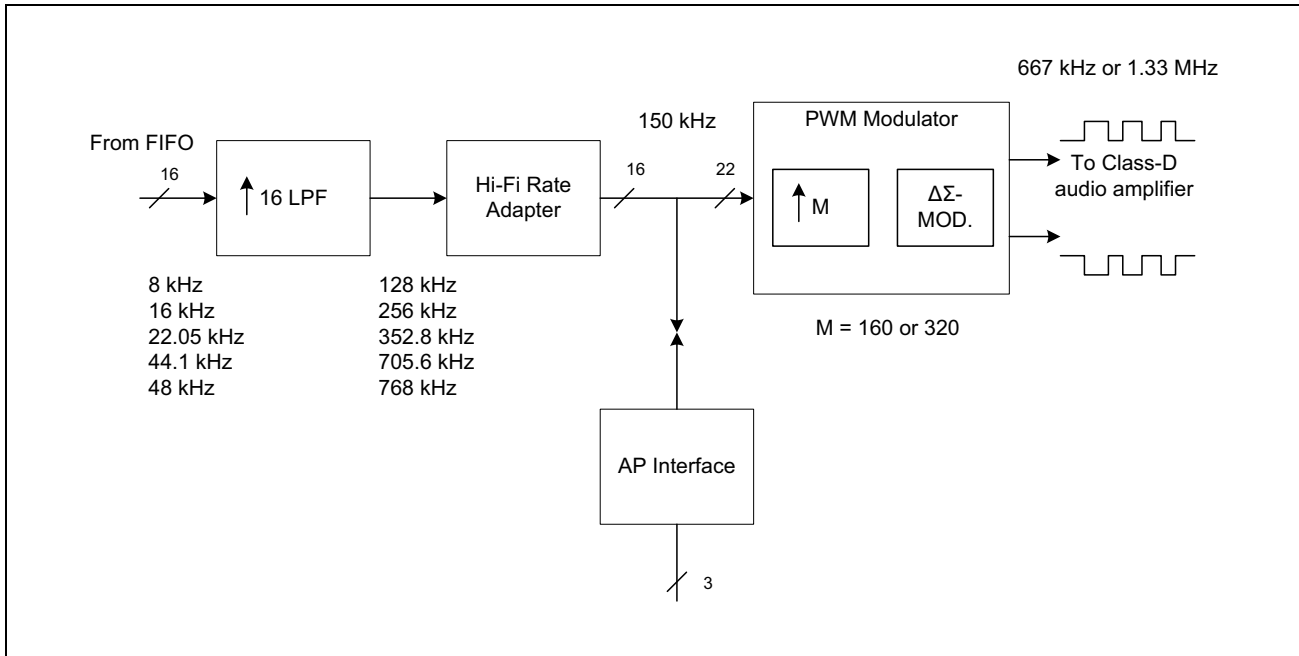
The CYW20733 uses BPCS primitives to allow a Human Interface Device (HID) to suspend all RF traffic after a configurable idle period with no reportable activity. To conserve power, it can then enter one of its low power states while still logically remaining connected at the L2CAP and HID layers with the peer device. When an event requires the HID to deliver a report to the peer device, the CYW20733 uses the TBFC and BPCS mechanisms to reestablish the baseband connection and immediately resume L2CAP traffic, greatly reducing latency between the event and delivery of the report to the peer device.

To achieve power savings and low latencies that cannot be achieved using long sniff intervals, certain applications may make use of the CYW20733 Broadcom Fast Connect (BFC) mechanism, which will eliminate the need to maintain an RF link, while still being able to establish ACL and L2CAP connections much faster than regular methods.

1.19 Integrated Filterless Class-D Audio Amplifier

The CYW20733 has an integrated speaker driver that includes both the digital path and an internal audio amplifier. The digital audio path includes a FIFO, LPF, rate adapter, and PWM modulator. The output of the PWM modulator drives an on-chip class-D high efficiency audio amplifier as shown in the figure below.

Figure 10. Class-D Block Diagram



The on-chip Class-D audio amplifier is designed to drive up to 200 mW into an 8Ω load and has a range of 20 Hz to 20 kHz, covering the entire audio spectrum. The amplifier is designed to deliver maximum dynamic range and power efficiency while minimizing quiescent current. The amplifier has two nonoverlapping switch drivers and a pair of MOSFET power switches for bridge-tie load. The digital Class-D modulator converts the audio input to a PWM signal that drives the switch driver. The modulator bitstream is retimed by a low-jitter 24/48 MHz clock at the input of the nonoverlapping switch drivers, used to prevent large crowbar currents during switching. A large W/L aspect ratio of the power transistor is used to minimize the on-resistance of the devices for improved efficiency. The integrated audio amplifier requires a 3.0V regulated power supply. The required LDO characteristic is shown in [Table 11](#).

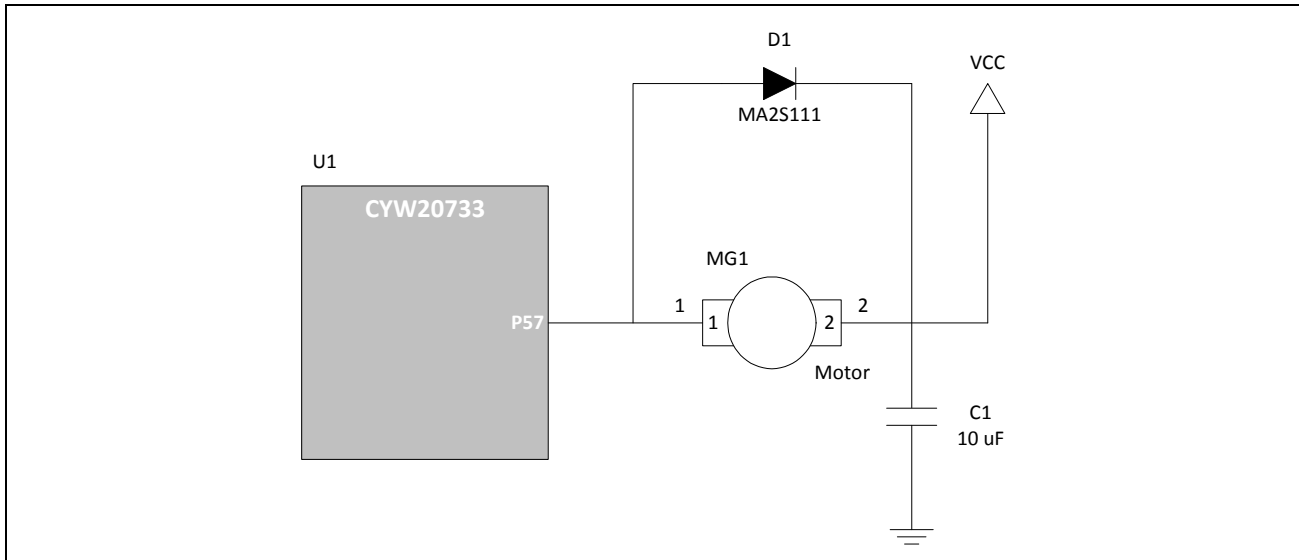
Table 11. LDO Requirement for the Integrated Audio Amplifier

| Parameter | Condition | Minimum | Typical | Maximum | Unit |
|--------------------------------------|--------------------------------------------------|---------|---------|---------|-----------------|
| Output voltage | – | 2.9 | – | 3.1 | V |
| Output load current | – | – | – | 200 | mA rms |
| Load regulation | V _{in} = 2.9V and load current = 200 mA | – | – | 40 | mV |
| Power supply rejection ration (PSRR) | – | 60 | – | – | dB |
| Output impedance | – | – | – | 20 | mΩ |
| Output spot noise | At 1 kHz | – | – | 1.5 | μVrms/sqrt (Hz) |
| Output noise | – | – | – | 50 | μVrms |

1.20 High-Current I/O

The CYW20733 has one high-current I/O pin (GPIO P57) capable of sinking up to 100 mA with a maximum output voltage of 0.4V (VDDIO = 3.0V). For VDDIO = 1.62V, GPIO P57 is limited to sinking up to 60 mA. This pin can be used for LEDs, motors, or other high current devices. This pin can also be used as a GPIO if high current sink capability is not required. An example usage for driving a motor/vibrator is shown in [Figure 11](#).

Figure 11. Motor/Vibrator Circuit



1.21 Power Management Unit

The Power Management Unit (PMU) provides power management features that can be invoked by software through power management registers or packet handling in the baseband core.

1.21.1 RF Power Management

The BBC generates power-down control signals for the transmit path, receive path, PLL, and power amplifier to the 2.4 GHz transceiver, which then processes the power-down functions accordingly.

1.21.2 Host Controller Power Management

Power is automatically managed by the firmware based on input device activity. As a power-saving task, the firmware controls the disabling of the on-chip regulator when in Deep-sleep mode.

1.21.3 BBC Power Management

There are several low-power operations for the BBC:

- Physical layer packet handling turns RF on and off dynamically within packet TX and RX.
- Bluetooth-specified low-power connection sniff mode. While in these low-power connection modes, the CYW20733 runs on the Low-Power Oscillator (LPO) and wakes up after a predefined time period.

The CYW20733 automatically adjusts its power dissipation based on user activity. The following power modes are supported:

- Active mode
- Idle mode
- Suspend mode
- Power-down mode
- HIDOFF mode

The CYW20733 transitions to the next lower state after a programmable period of user inactivity. Busy mode is immediately entered when user activity resumes.

HIDOFF mode is one of the power modes in which the core is powered down and only supervisory circuits running directly from the battery retain power.

2. Pin Assignments

Table 12. Pin Descriptions

| Pin Number | | | Pin Name | I/O | Power Domain | Description |
|----------------------------------------------------|------------------------------------------------------------------------------------|---------------|----------|--------|--------------|-------------------------------------------------------------------------------|
| 81-pin FBGA | 121-pin FBGA | 56-pin QFN | | | | |
| Radio I/O | | | | | | |
| D1 | E1 | 9 | RFP | I/O | VDDTF | RF antenna port |
| RF Power Supplies | | | | | | |
| B1 | C1 | 6 | VDDIF | I | VDDIF | IFPLL power supply |
| E1 | F1 | 11 | VDDLNA | I | VDDLNA | RF front-end supply |
| F1 | G1 | 12 | VDDRF | I | VDDRF | VCO, LOGEN supply |
| G1 | H1 | 13 | VDDPX | I | VDDPX | RFPLL and crystal oscillator supply |
| C1 | D1 | 7 | VDDTF | I | VDDTF | PA supply |
| Power Supplies | | | | | | |
| A3, J7 | A2, L7 | 5 | VDDC | I | VDDC | Baseband core supply |
| A7 | B4, A8, E11 | 54 | VDDO | I | VDDO | I/O pad and core supply |
| J6 | L8 | 28 | VDDM | I | VDDM | I/O pad supply |
| – | L3 | – | VDD1P2 | I | VDD1P2 | Speaker differential clock conversion power supply |
| – | K10, L10 | – | VDDSP | I | VDDSP | Speaker analog power supply |
| Ground | | | | | | |
| C2, D2, E2, F2, G2, E3, F3, H3, J3, E4, E5, E6, E7 | F8, H7, G7, F7, H6, G6, H5, G5, F5, H4, G4, J3, H3, G3, K2, J2, H2, G2, F2, E2, D2 | Center paddle | VSS | I | VSS | Ground |
| – | K3 | – | VSS1P2 | I | – | Speaker differential clock conversion ground |
| – | J9, J10, J11 | – | VSSSP | I | – | Speaker analog ground |
| Clock Generator and Crystal Interface | | | | | | |
| J1 | K1 | 16 | XTALI | I | VDDRF | Crystal oscillator input. See “Crystal Oscillator” on page 10 for options. |
| J2 | L1 | 15 | XTALO | O | VDDPX | Crystal oscillator output. |
| – | C2 | – | TP1 | I | VDDPX | XTAL divide by 2. Connect to GND if main XTAL = 24 MHz. |
| H1 | J1 | 14 | RES | O | VDDPX | External calibration resistor, 15 kΩ at 1% |
| B4 | A3 | – | XTALI32K | I | VDDPX | Low-power oscillator (LPO) input. Alternate function: • P39 (FBGA-81 only) |
| D5 | B3 | – | XTALO32K | O | VDDPX | LPO output. Alternate function: • P38 (FBGA-81 only) |
| Core | | | | | | |
| B2 | C3 | 2 | RESET_N | I/O PU | VDDO | Active-low system reset with open-drain output and internal pull-up resistor. |
| G3 | B2 | 1 | TMC | I | VDDO | Device test mode control. Connect to GND for all applications. |
| H2 | L2 | 17 | TMA | I | VDDM | ARM JTAG debug mode control. Connect to GND for all applications. |
| Speaker | | | | | | |
| – | L11 | – | AMPLP | O | VDDSP | Speaker driver positive output |
| – | K11 | – | AMPLN | O | VDDSP | Speaker driver negative output |

Table 12. Pin Descriptions (Cont.)

| Pin Number | | | Pin Name | I/O | Power Do- main | Description |
|------------------------------|-----------------|---------------|------------|---------|-------------------|----------------------------------------------------------------------------------------------------------------|
| 81-pin FBGA | 121-pin FBGA | 56-pin QFN | | | | |
| PCM2/I ² S | | | | | | |
| G5 | J8 | 24 | PCM_SYNC | I/O, PD | VDDM | Frame synchronization for PCM interface. Alternate function: • I ² S word select |
| G4 | J7 | 23 | PCM_CLK | I/O, PD | VDDM | Clock for PCM interface. Alternate function: • I ² S clock |
| F4 | K7 | 22 | PCM_IN | I, PU | VDDM | Data input for PCM interface. Alternate function: • I ² S data input |
| F5 | K8 | 25 | PCM_OUT | O, PD | VDDM | Data output for PCM interface. Alternate function: • I ² S data output |
| UART | | | | | | |
| J4 | K6 | 20 | UART_RXD | I | VDDM | UART serial input – Serial data input for the HCI UART interface. |
| J5 | L6 | 21 | UART_TXD | O, PU | VDDM | UART serial output – Serial data output for the HCI UART interface. |
| H4 | L5 | 19 | UART_RTS_N | O, PU | VDDM | Request to send (RTS) for HCI UART interface. Leave unconnected if not used. |
| H5 | K5 | 18 | UART_CTS_N | I, PU | VDDM | Clear to send (CTS) for HCI UART interface. Leave unconnected if not used. |
| BSC | | | | | | |
| H6 | L9 | 26 | SDA | I/O, PU | VDDM | Data signal for an external I ² C device. Alternate function: • SPI_1: MOSI (master only) |
| H7 | K9 | 27 | SCL | I/O, PU | VDDM | Clock signal for an external I ² C device. Alternate function: • SPI_1: SPI_CLK (master only) |
| LDO Regulator Power Supplies | | | | | | |
| A2 | A1 | 3 | LDOIN | I | LDOIN | Battery input supply for the LDO |
| A1 | B1 | 4 | LDOOUT | O | LDOOUT | LDO output |

Table 13. GPIO Pin Descriptions^a

| Pin Number | | | Pin Name | Default Direction | POR State | Power Domain | Alternate Function Description |
|-------------|--------------|------------|----------|-------------------|-----------|--------------|---------------------------------------------------------------------------------------------------------------------------------------------------------------------------------------------------------------------------------------------------------------------------------------------|
| 81-pin FBGA | 121-pin FBGA | 56-pin QFN | | | | | |
| H8 | H9 | 29 | P0 | Input | Floating | VDDO | <ul style="list-style-type: none"> GPIO: P0 Keyboard scan input (row): KSI0 A/D converter input 29 Peripheral UART: puart_tx SPI_2: MOSI (master and slave) IR_RX 60Hz_main Note: Not available during TMC = 1. |
| J8 | G9 | 31 | P1 | Input | Floating | VDDO | <ul style="list-style-type: none"> GPIO: P1 Keyboard scan input (row): KSI1 A/D converter input 28 Peripheral UART: puart_rts SPI_2: MISO (master and slave) IR_TX |
| J9 | H10 | 30 | P2 | Input | Floating | VDDO | <ul style="list-style-type: none"> GPIO: P2 Keyboard scan input (row): KSI2 Quadrature: QDX0 Peripheral UART: puart_rx SPI_2: SPI_CS (slave only) |
| H9 | H11 | 32 | P3 | Input | Floating | VDDO | <ul style="list-style-type: none"> GPIO: P3 Keyboard scan input (row): KSI3 Quadrature: QDX1 Peripheral UART: puart_cts SPI_2: SPI_CLK (master and slave) |
| G8 | G10 | 34 | P4 | Input | Floating | VDDO | <ul style="list-style-type: none"> GPIO: P4 Keyboard scan input (row): KSI4 Quadrature: QDY0 Peripheral UART: puart_rx SPI_2: MOSI (master and slave) IR_TX |
| G9 | F10 | 33 | P5 | Input | Floating | VDDO | <ul style="list-style-type: none"> GPIO: P5 Keyboard scan input (row): KSI5 Quadrature: QDY1 Peripheral UART: puart_tx SPI_2: MISO (master and slave) |
| F8 | F11 | 35 | P6 | Input | Floating | VDDO | <ul style="list-style-type: none"> GPIO: P6 Keyboard scan input (row): KSI6 Quadrature: QDZ0 Peripheral UART: puart_rts SPI_2: SPI_CS (slave only) 60Hz_main |
| F9 | E10 | 36 | P7 | Input | Floating | VDDO | <ul style="list-style-type: none"> GPIO: P7 Keyboard scan input (row): KSI7 Quadrature: QDZ1 Peripheral UART: puart_cts SPI_2: SPI_CLK (master and slave) |
| E8 | D11 | 37 | P8 | Input | Floating | VDDO | <ul style="list-style-type: none"> GPIO: P8 Keyboard scan output (column): KSO0 A/D converter input 27 External T/R switch control: ~tx_pd |

Table 13. GPIO Pin Descriptions^a (Cont.)

| Pin Number | | | Pin Name | Default Di- rection | POR State | Power Domain | Alternate Function Description |
|----------------|-----------------|---------------|----------|------------------------|--------------|-----------------|----------------------------------------------------------------------------------------------------------------------------------------------------------------------------------------------------------------|
| 81-pin FBGA | 121-pin FBGA | 56-pin QFN | | | | | |
| E9 | D10 | 38 | P9 | Input | Floating | VDDO | <ul style="list-style-type: none"> GPIO: P9 Keyboard scan output (column): KSO1 A/D converter input 26 External T/R switch control: tx_pd |
| D8 | E9 | 39 | P10 | Input | Floating | VDDO | <ul style="list-style-type: none"> GPIO: P10 Keyboard scan output (column): KSO2 A/D converter input 25 External PA ramp control: ~PA_Ramp |
| D9 | C11 | 41 | P11 | Input | Floating | VDDO | <ul style="list-style-type: none"> GPIO: P11 Keyboard scan output (column): KSO3 A/D converter input 24 |
| C9 | C10 | 40 | P12 | Input | Floating | VDDO | <ul style="list-style-type: none"> GPIO: P12 Keyboard scan output (column): KSO4 A/D converter input 23 |
| C8 | B11 | 43 | P13 | Input | Floating | VDDO | <ul style="list-style-type: none"> GPIO: P13 Keyboard scan output (column): KSO5 A/D converter input 22 External PA ramp control: ~PA_Ramp Triac control 3 |
| B9 | B10 | 44 | P14 | Input | Floating | VDDO | <ul style="list-style-type: none"> GPIO: P14 Keyboard scan output (column): KSO6 A/D converter input 21 External T/R switch control: ~tx_pd Triac control 4 |
| A9 | A11 | 42 | P15 | Input | Floating | VDDO | <ul style="list-style-type: none"> GPIO: P15 Keyboard scan output (column): KSO7 A/D converter input 20 IR_RX 60Hz_main |
| B7 | A9 | – | P16 | Input | Floating | VDDO | <ul style="list-style-type: none"> GPIO: P16 Keyboard scan output (column): KSO8 A/D converter input 19 |
| B8 | A10 | – | P17 | Input | Floating | VDDO | <ul style="list-style-type: none"> GPIO: P17 Keyboard scan output (column): KSO9 A/D converter input 18 |
| C7 | B9 | – | P18 | Input | Floating | VDDO | <ul style="list-style-type: none"> GPIO: P18 Keyboard scan output (column): KSO10 A/D converter input 17 |
| G7 | C9 | – | P19 | Input | Floating | VDDO | <ul style="list-style-type: none"> GPIO: P19 Keyboard scan output (column): KSO11 |
| F7 | D9 | – | P20 | Input | Floating | VDDO | <ul style="list-style-type: none"> GPIO: P20 Keyboard scan output (column): KSO12 A/D converter input 15 |
| D7 | E8 | – | P21 | Input | Floating | VDDO | <ul style="list-style-type: none"> GPIO: P21 Keyboard scan output (column): KSO13 A/D converter input 14 Triac control 3 |

Table 13. GPIO Pin Descriptions^a (Cont.)

| Pin Number | | | Pin Name | Default Direction | POR State | Power Domain | Alternate Function Description |
|-------------|--------------|------------|-------------|-------------------|-----------|--------------|---------------------------------------------------------------------------------------------------------------------------------------------------------------------------------------------------------------------------------------------------------------------|
| 81-pin FBGA | 121-pin FBGA | 56-pin QFN | | | | | |
| A8 | G8 | – | P22 | Input | Floating | VDDO | <ul style="list-style-type: none"> GPIO: P22 Keyboard scan output (column): KSO14 A/D converter input 13 Triac control 4 |
| D6 | C6 | – | P23 | Input | Floating | VDDO | <ul style="list-style-type: none"> GPIO: P23 Keyboard scan output (column): KSO15 A/D converter input 12 |
| G6 | F9 | 45 | P24 | Input | Floating | VDDO | <ul style="list-style-type: none"> GPIO: P24 Keyboard scan output (column): KSO16 SPI_2: SPI_CLK (master and slave) SPI_1: MISO (master only) Peripheral UART: puart_tx |
| F6 | D8 | 46 | P25 | Input | Floating | VDDO | <ul style="list-style-type: none"> GPIO: P25 Keyboard scan output (column): KSO17 SPI_2: MISO (master and slave) Peripheral UART: puart_rx |
| A4 | A5 | 56 | P26 PWM0 | Input | Floating | VDDO | <ul style="list-style-type: none"> GPIO: P26 Keyboard scan output (column): KSO18 SPI_2: SPI_CS (slave only) SPI_1: MISO (master only) Optical control output: QOC0 Triac control 1 Current: 16 mA sink |
| B3 | B5 | 55 | P27 PWM1 | Input | Floating | VDDO | <ul style="list-style-type: none"> GPIO: P27 Keyboard scan output (column): KSO19 SPI_2: MOSI (master and slave) Optical control output: QOC1 Triac control 2 Current: 16 mA sink |
| C3 | A4 | – | P28 PWM2 | Input | Floating | VDDO | <ul style="list-style-type: none"> GPIO: P28 Optical control output: QOC2 A/D converter input 11 LED1 Current: 16 mA sink |
| D3 | C4 | – | P29 PWM3 | Input | Floating | VDDO | <ul style="list-style-type: none"> GPIO: P29 Optical control output: QOC3 A/D converter input 10 LED2 Current: 16 mA sink |
| C6 | C8 | 47 | P30 | Input | Floating | VDDO | <ul style="list-style-type: none"> GPIO: P30 A/D converter input 9 Pairing button pin in default FW Peripheral UART: puart_rts |
| B6 | B8 | – | P31 | Input | Floating | VDDO | <ul style="list-style-type: none"> GPIO: P31 A/D converter input 8 EEPROM WP pin in default FW Peripheral UART: puart_tx |

Table 13. GPIO Pin Descriptions^a (Cont.)

| Pin Number | | | Pin Name | Default Direction | POR State | Power Domain | Alternate Function Description |
|-------------|--------------|------------|----------|-------------------|-----------|--------------|-----------------------------------------------------------------------------------------------------------------------------------------------------------------------------------------------------------------------------------------------------------------------------------------------|
| 81-pin FBGA | 121-pin FBGA | 56-pin QFN | | | | | |
| A6 | B7 | 48 | P32 | Input | Floating | VDDO | <ul style="list-style-type: none"> GPIO: P32 A/D converter input 7 Quadrature: QDX0 SPI_2: SPI_CS (slave only) SPI_1: MISO (master only) Auxiliary clock output: ACLK0 Peripheral UART: puart_tx |
| C4 | B6 | 53 | P33 | Input | Floating | VDDO | <ul style="list-style-type: none"> GPIO: P33 A/D converter input 6 Quadrature: QDX1 SPI_2: MOSI (slave only) Auxiliary clock output: ACLK1 Peripheral UART: puart_rx |
| C5 | C7 | – | P34 | Input | Floating | VDDO | <ul style="list-style-type: none"> GPIO: P34 A/D converter input 5 Quadrature: QDY0 Peripheral UART: puart_rx External T/R switch control: tx_pd |
| B5 | D7 | 49 | P35 | Input | Floating | VDDO | <ul style="list-style-type: none"> GPIO: P35 A/D converter input 4 Quadrature: QDY1 Peripheral UART: puart_cts |
| A5 | A7 | 50 | P36 | Input | Floating | VDDO | <ul style="list-style-type: none"> GPIO: P36 A/D converter input 3 Quadrature: QDZ0 SPI_2: SPI_CLK (master and slave) Auxiliary Clock Output: ACLK0 Battery detect pin in default FW External T/R switch control: ~tx_pd |
| D4 | A6 | – | P37 | Input | Floating | VDDO | <ul style="list-style-type: none"> GPIO: P37 A/D converter input 2 Quadrature: QDZ1 SPI_2: MISO (slave only) Auxiliary clock output: ACLK1 |
| D5 | C5 | 51 | P38 | Input | Floating | VDDO | <ul style="list-style-type: none"> GPIO: P38 A/D converter input 1 SPI_2: MOSI (master and slave) IR_TX XTALO32K (FBGA-81 only) |
| B4 | D4 | 52 | P39 | Input | Floating | VDDO | <ul style="list-style-type: none"> GPIO: P39 SPI_2: SPI_CS (slave only) SPI_1: MISO (master only) Infrared control: IR_RX External PA ramp control: PA_Ramp 60Hz_main XTALI32K (FBGA-81 only) |
| – | H8 | – | P40 | Input | Floating | VDDO | <ul style="list-style-type: none"> GPIO: P40 pcm2_clk |

Table 13. GPIO Pin Descriptions^a (Cont.)

| Pin Number | | | Pin Name | Default Di- rection | POR State | Power Domain | Alternate Function Description |
|----------------|-----------------|---------------|----------|------------------------|--------------|-----------------|--------------------------------------------------------------------------------|
| 81-pin FBGA | 121-pin FBGA | 56-pin QFN | | | | | |
| – | K4 | – | P41 | Input | Floating | VDDO | <ul style="list-style-type: none"> GPIO: P41 pcm2_sync |
| – | F6 | – | P42 | Input | Floating | VDDO | <ul style="list-style-type: none"> GPIO: P42 pcm2_di |
| – | J5 | – | P43 | Input | Floating | VDDO | <ul style="list-style-type: none"> GPIO: P43 pcm2_do |
| – | J4 | – | P44 | Input | Floating | VDDO | <ul style="list-style-type: none"> GPIO: P44 |
| – | J6 | – | P45 | Input | Floating | VDDO | <ul style="list-style-type: none"> GPIO: P45 |
| – | L4 | – | P46 | Input | Floating | VDDO | <ul style="list-style-type: none"> GPIO: P46 |
| – | E7 | – | P47 | Input | Floating | VDDO | <ul style="list-style-type: none"> GPIO: P47 |
| – | E6 | – | P48 | Input | Floating | VDDO | <ul style="list-style-type: none"> GPIO: P48 |
| – | D6 | – | P49 | Input | Floating | VDDO | <ul style="list-style-type: none"> GPIO: P49 |
| – | E5 | – | P50 | Input | Floating | VDDO | <ul style="list-style-type: none"> GPIO: P50 |
| – | D5 | – | P51 | Input | Floating | VDDO | <ul style="list-style-type: none"> GPIO: P51 |
| – | F4 | – | P52 | Input | Floating | VDDO | <ul style="list-style-type: none"> GPIO: P52 |
| – | F3 | – | P53 | Input | Floating | VDDO | <ul style="list-style-type: none"> GPIO: P53 |
| – | E4 | – | P54 | Input | Floating | VDDO | <ul style="list-style-type: none"> GPIO: P54 |
| – | E3 | – | P55 | Input | Floating | VDDO | <ul style="list-style-type: none"> GPIO: P55 |
| – | D3 | – | P56 | Input | Floating | VDDO | <ul style="list-style-type: none"> GPIO: P56 |
| – | G11 | – | P57 | Input | Floating | VDDO | <ul style="list-style-type: none"> GPIO: P57 PWM3 |

a. During power-on reset, all inputs are disabled.

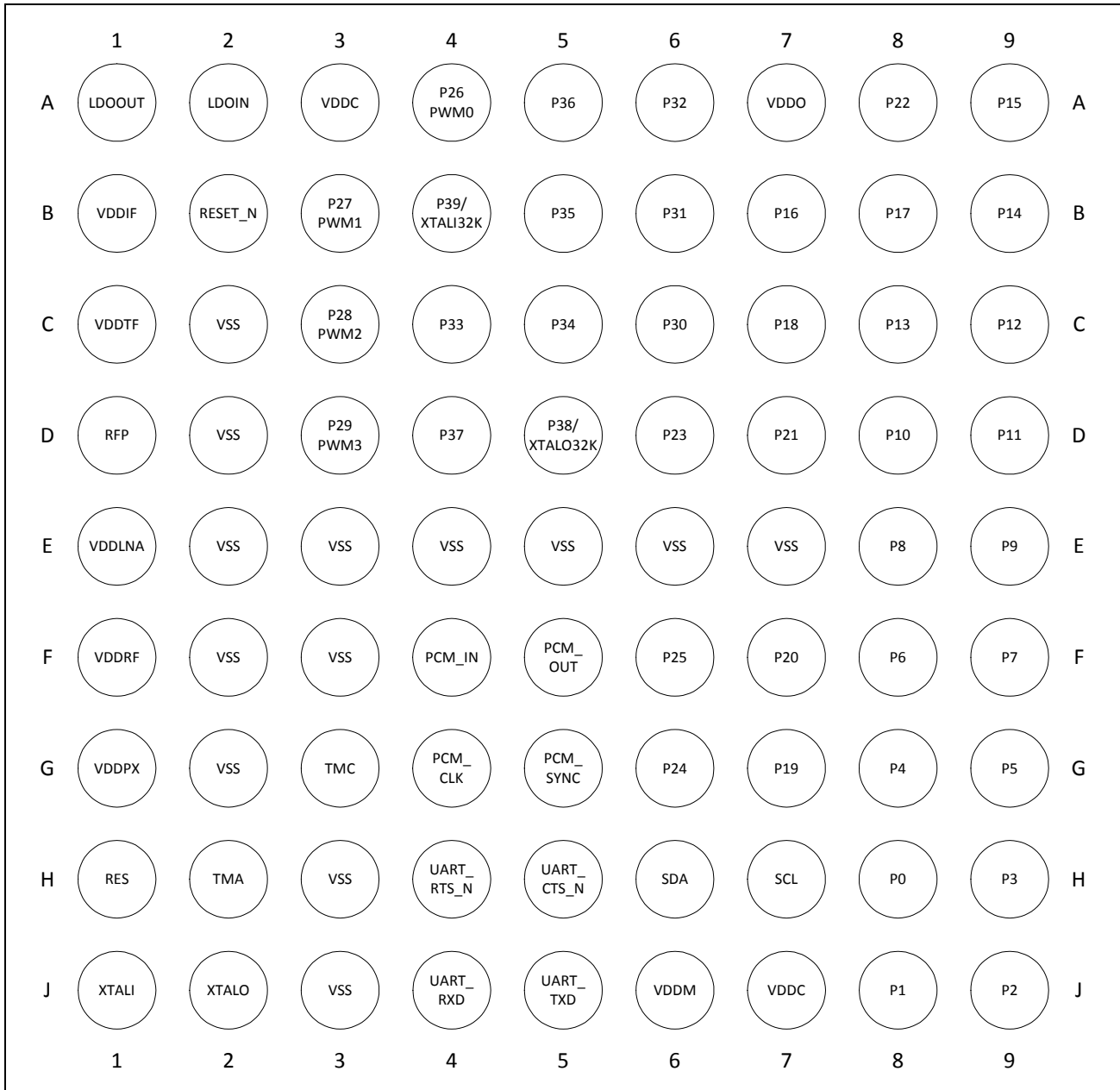
2.1 Ball Maps

This section presents the CYW20733 ball maps.

2.1.1 81-Pin FBGA Ball Map

Figure 12 shows the 81-pin FBGA package ball map.

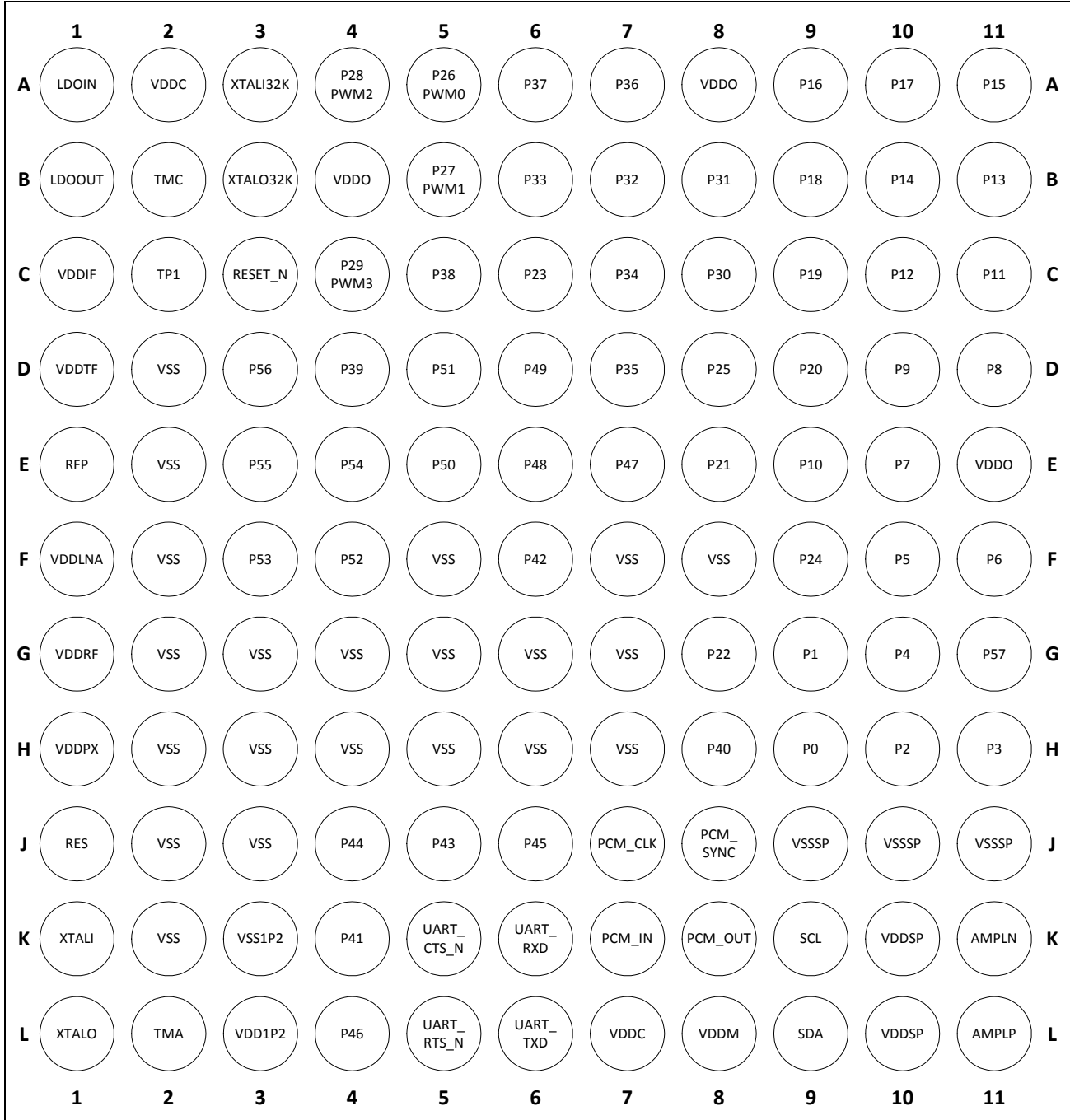
Figure 12. 81-Pin FBGA Ball Map



2.1.2 121-Pin FBGA Ball Map

Figure 13 shows the 121-pin FBGA package ball map.

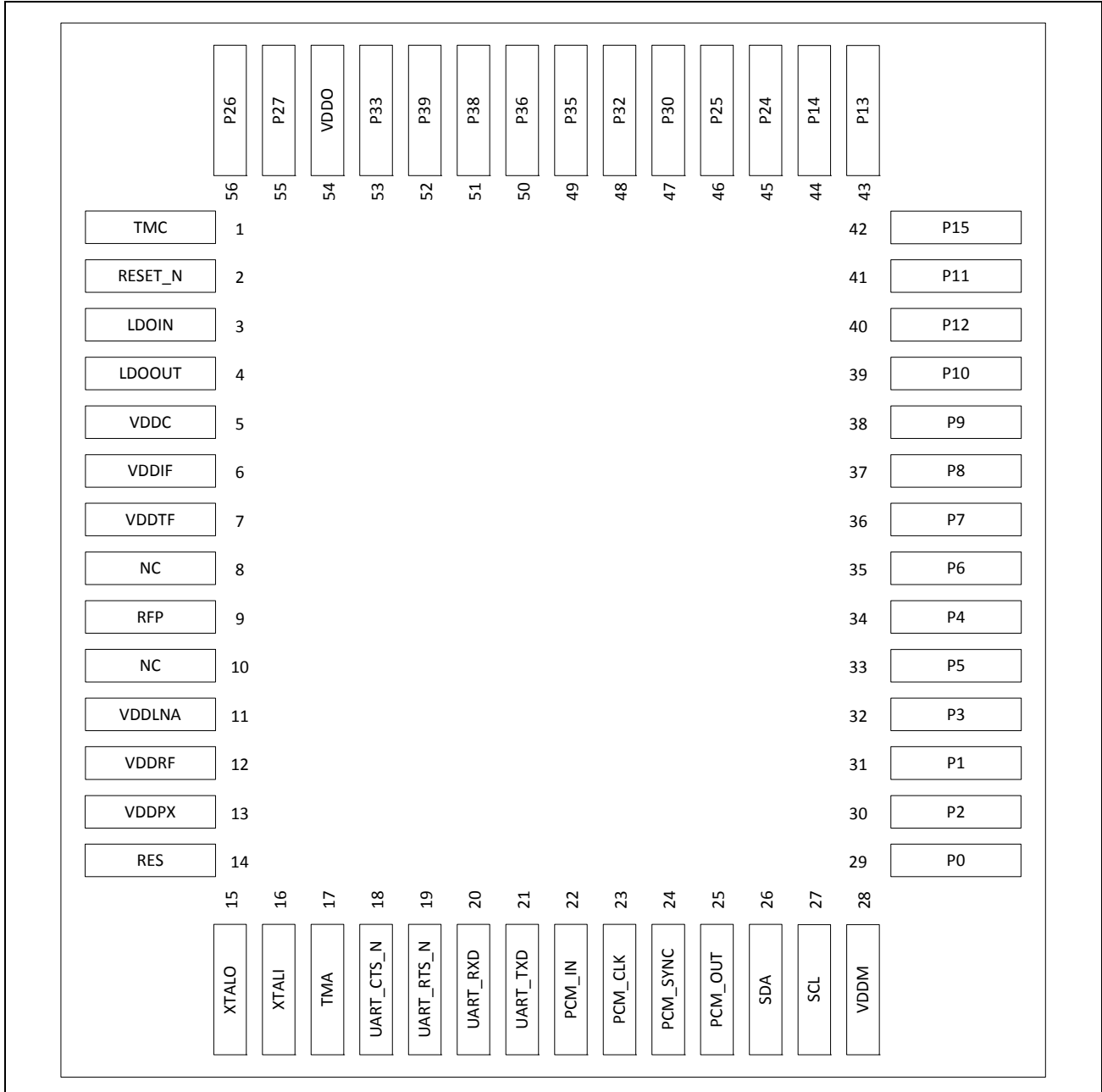
Figure 13. 121-Pin FBGA Ball Map



2.1.3 56-Pin QFN Diagram

Figure 14 shows the 56-pin QFN package.

Figure 14. 56-Pin QFN Diagram



3. Specifications

3.1 Electrical Characteristics

Table 14 shows the maximum electrical rating for voltages referenced to the VDD pin.

Table 14. Maximum Electrical Rating

| Rating | Symbol | Value | Unit |
|-----------------------------------------------------------|------------------|------------------------|------|
| DC supply voltage for RF domain | – | 1.32 | V |
| DC supply voltage for Core domain | – | 1.4 | V |
| DC supply voltage for VDDM domain (UART/I ² C) | – | 3.8 | V |
| DC supply voltage for VDDO domain | – | 3.8 | V |
| DC supply voltage for LDOIN | – | 3.8 | V |
| DC supply voltage for VDDLNA | – | 1.4 | V |
| DC supply voltage for VDDTF | – | 3.3 | V |
| Voltage on input or output pin | – | VSS – 0.3 to VDD + 0.3 | V |
| Operating ambient temperature range | T _{opr} | 0 to +70 | °C |
| Storage temperature range | T _{stg} | –40 to +125 | °C |

Table 15 shows the power supply characteristics for the range T_J = 0 to 125°C.

Table 15. Power Supply

| Parameter | Minimum ^a | Typical | Maximum ^a | Unit |
|----------------------------------------------------|----------------------|------------------|----------------------|------|
| DC supply voltage for RF | 1.14 | 1.2 | 1.26 | V |
| DC supply voltage for Core | 1.14 | 1.2 | 1.26 | V |
| DC supply voltage for VDDM (UART/I ² C) | 1.62 | – | 3.63 | V |
| DC supply voltage for VDDO | 1.62 | – | 3.63 | V |
| DC supply voltage for LDOIN | 1.62 | – | 3.63 | V |
| DC supply voltage for VDDLNA | 1.14 | 1.2 ^b | 1.26 | V |
| DC supply voltage for VDDTF | 1.14 | 1.2 ^b | 3.3 | V |

a. Overall performance degrades beyond minimum and maximum supply voltages.

b. 1.2V for Class 2 output with internal VREG.

Table 16 shows the digital level characteristics for the LDO (VSS = 0V).

Table 16. LDO Regulator Electrical Specifications

| Parameter | Conditions | Min | Typ | Max | Unit |
|------------------------|--------------------------------------------------------------------------------|------|----------------|-----------------|---------------------|
| Input voltage range | – | 1.62 | – | 3.63 | V |
| Default output voltage | – | – | 1.2 | – | V |
| Output voltage | Range | 0.88 | – | 1.32 | V |
| | Step size | – | 40 | 80 | mV |
| | Accuracy at any step | –5 | – | +5 | % |
| Load current | – | – | – | 60 | mA |
| Line regulation | V _{in} from 1.62 to 3.63V, I _{load} = 30 mA | –0.5 | – | 0.5 | %V _O /V |
| Load regulation | I _{load} from 1 μA to 30 mA, V _{in} = 3.3V, Bonding R = 0.3Ω | – | 0.1 | 0.15 | %V _O /mA |
| Quiescent current | No load @V _{in} = 3.3V *Current limit enabled | – | 6 ^a | 12 ^a | μA |
| Power-down current | V _{in} = 3.3V, worst@70°C | – | – | 200 | nA |

a. Includes the bandgap quiescent current.

Table 17. ADC Specifications

| Parameter | Symbol | Conditions | Min | Typ | Max | Unit |
|--------------------------------------------|-----------|-------------------------------------|-------|----------------------------------------|------|------------------|
| ADC Characteristics | | | | | | |
| Number of Input channels | – | – | – | 28 | – | – |
| Channel switching rate | f_{ch} | – | – | – | 187 | kHz |
| Input signal range | V_{inp} | – | 0 | – | 3.63 | V |
| Reference settling time | – | – | 7.5 | – | – | μ s |
| Input resistance | R_{inp} | Single-ended, input range of 0–1.2V | – | 680 | – | k Ω |
| | | Single-ended, input range of 0–2.4V | – | 1.84 | – | M Ω |
| | | Single-ended, input range of 0–3.6V | – | 3 | – | M Ω |
| Input capacitance | C_{inp} | – | – | – | 5 | pF |
| Conversion rate | f_C | – | 5.859 | – | 187 | kHz |
| Resolution | R | – | – | 16 | – | bits |
| Effective number of bits | – | In guaranteed performance range | – | See Table 7 on page 14 | – | bits |
| Absolute voltage measurement error | | Using on-chip ADC firmware driver | – | ± 2 | | % |
| Integral nonlinearity ¹ | INL | In guaranteed performance range | –1 | – | 1 | LSB ¹ |
| Differential nonlinearity ¹ | DNL | In guaranteed performance range | –1 | – | 1 | LSB ¹ |
| Notes: | | | | | | |
| 1. LSBs are expressed at the 10-bit level. | | | | | | |

Table 18. Integrated Audio Amplifier Electrical Specifications

| Parameter | Conditions | Min | Typ | Max | Unit |
|----------------------------------------------|------------------------|------|-----|------|---------|
| Analog supply voltage | – | 2.9 | 3.0 | 3.1 | V |
| Digital supply voltage | – | 1.08 | 1.2 | 1.32 | V |
| Quiescent current | Zero digital input | – | 2 | – | mA |
| Power down current | – | – | 0.5 | – | μ A |
| Output power | $R_L = 8\Omega$ | 200 | 240 | – | mW |
| Maximum efficiency | At 200 mW output power | – | 70 | – | % |
| Dynamic range (DR) | At –60 dBFS input | 65 | 68 | – | dB |
| Signal-to-noise plus distortion ratio (SNDR) | At 200 mW output power | – | 40 | – | dB |

Table 19. Digital Level^a

| Characteristics | Symbol | Min | Typ | Max | Unit |
|------------------------------------------|----------|-----------------------|------|-----|------|
| Input low voltage | V_{IL} | – | – | 0.4 | V |
| Input high voltage | V_{IH} | $0.75 \times V_{DDO}$ | – | – | V |
| Input low voltage ($V_{DDO} = 1.62V$) | V_{IL} | – | – | 0.4 | V |
| Input high voltage ($V_{DDO} = 1.62V$) | V_{IH} | 1.2 | – | – | V |
| Output low voltage ^b | V_{OL} | – | – | 0.4 | V |
| Output high voltage ^b | V_{OH} | $V_{DDO} - 0.4$ | – | – | V |
| Input capacitance (V_{DDMEM} domain) | C_{IN} | – | 0.12 | – | pF |

a. This table is also applicable to V_{DDMEM} domain.

b. At the specified drive current for the pad.

Table 20. Current Consumption, Class 1^a

| Operational Mode | Conditions | Typ | Unit |
|------------------------|---------------------------------------------------------------------------------------------------------------------------------------------------------------------------------------------------|------|------|
| Receive (1 Mbps) | Peak current level during reception of a basic-rate packet. | 28.2 | mA |
| Transmit (1 Mbps) | Peak current level during the transmission of a basic-rate packet: GFSK output power = 10 dBm. | 63.1 | mA |
| Receive (EDR) | Peak current level during the reception of a 2 or 3 Mbps rate packet. | 28.6 | mA |
| Transmit (EDR) | Peak current level during the transmission of a 2 or 3 Mbps rate packet: EDR output power = 8 dBm. | 63.7 | mA |
| Average Current | | | |
| DM1/DH1 (RX) | Average current during basic rate maximum throughput connection, which includes only this packet type. | 24.3 | mA |
| DM5/DH5 (RX) | Average current during basic rate maximum throughput connection, which includes only this packet type. | 26.3 | mA |
| 3DH1 (RX) | Average current during extended data rate maximum throughput connection which includes only this packet type. | 24.9 | mA |
| 3DH5 (RX) | Average current during extended data rate maximum throughput connection, which includes only this packet type. | 26.4 | mA |
| DM1/DH1 (TX) | Average current during basic rate maximum throughput connection, which includes only this packet type. | 29.6 | mA |
| DM5/DH5 (TX) | Average current during basic rate maximum throughput connection, which includes only this packet type. | 47.2 | mA |
| 3DH1 (TX) | Average current during extended data rate maximum throughput connection, which includes only this packet type. | 29.7 | mA |
| 3DH5 (TX) | Average current during extended data rate maximum throughput connection, which includes only this packet type. | 44.8 | mA |
| Paging | – | 23.7 | mA |
| Sniff slave (495 ms) | Based on one attempt and no timeout parameter. Quality connection that rarely requires more than minimum packet exchange. Sniff master follows the optimal sniff protocol of the CYW20702 master. | 290 | μA |
| Sniff slave (22.5 ms) | – | 2.57 | mA |
| Sniff slave (11.25 ms) | – | 4.93 | mA |

a. Current consumption measurements are taken at LDOIN. LDOIN = VDDIO = 2.6V, VDDPA = 3.0V.

Table 21. Current Consumption, Class 2 (0 dBm)^a

| Operational Mode | Conditions | Typ | Unit |
|------------------------|-------------------------------------------------------------------------------------------------------------------------------------------------------------------------------------------|------|------|
| Receive (1 Mbps) | Peak current level during the reception of a basic-rate packet. | 29.0 | mA |
| Transmit (1 Mbps) | Peak current level during the transmission of a basic-rate packet: GFSK output power = 0 dBm. | 39.3 | mA |
| Receive (EDR) | Peak current level during the reception of a 2 or 3 Mbps rate packet. | 30.5 | mA |
| Transmit (EDR) | Peak current level during the transmission of a 2 or 3 Mbps rate packet: EDR output power = 0 dBm. | 39.3 | mA |
| Average Current | | | |
| DM1/DH1 (RX) | Average current during basic rate maximum throughput connection, which includes only this packet type. | 22.1 | mA |
| DM5/DH5 (RX) | Average current during basic rate maximum throughput connection, which includes only this packet type. | 25.8 | mA |
| 3DH1 (RX) | Average current during extended data rate maximum throughput connection, which includes only this packet type. | 22.8 | mA |
| 3DH5 (RX) | Average current during extended data rate maximum throughput connection, which includes only this packet type. | 24.7 | mA |
| DM1/DH1 (TX) | Average current during basic rate maximum throughput connection, which includes only this packet type. | 22.0 | mA |
| DM5/DH5 (TX) | Average current during basic rate maximum throughput connection, which includes only this packet type. | 30.9 | mA |
| 3DH1 (TX) | Average current during extended data rate maximum throughput connection, which includes only this packet type. | 22.1 | mA |
| 3DH5 (TX) | Average current during extended data rate maximum throughput connection, which includes only this packet type. | 31.6 | mA |
| Paging | – | 22.9 | mA |
| Sniff slave (495 ms) | Based on one attempt and no timeout parameter. Quality connection that rarely requires more than minimum packet exchange. Sniff master follows optimal sniff protocol of CYW20702 master. | 240 | μA |
| Sniff slave (22.5 ms) | – | 2.27 | mA |
| Sniff slave (11.25 ms) | – | 4.46 | mA |

a. Current consumption measurements are taken at LDOIN. LDOIN = VDDIO = 2.6V, VDDPA = 1.2V.

Table 22. Current Consumption

| Operational Mode | Conditions | Typ | Unit |
|-------------------------------|----------------------------------------------------------------------------------------------|------|------|
| Sleep | Internal LPO is in use. | 46.5 | μA |
| HIDOFF | – | 1.1 | μA |
| Inquiry scan (1.28 sec.) | Periodic scan rate is R1 (1.28 seconds). | 540 | μA |
| Page Scan (R1) | Periodic scan rate is R1 (1.28 seconds). | 490 | μA |
| Inquiry Scan + Page Scan (R1) | Both inquiry and page scans are interlaced together at a periodic scan rate of 1.28 seconds. | 940 | μA |

3.2 RF Specifications

Table 23. Receiver RF Specifications^{a,b}

| Parameter | Conditions | Minimum | Typical ^c | Maximum | Unit |
|----------------------------------------------------|-----------------------------------|---------|----------------------|---------|------|
| General | | | | | |
| Frequency range | – | 2402 | – | 2480 | MHz |
| RX sensitivity ^d | GFSK, 0.1% BER, 1 Mbps | – | –89 | –85 | dBm |
| | $\pi/4$ -DQPSK, 0.01% BER, 2 Mbps | – | –91 | –85 | dBm |
| | 8-DPSK, 0.01% BER, 3 Mbps | – | –86 | –81 | dBm |
| Maximum input | GFSK, 1 Mbps | – | – | –20 | dBm |
| Maximum input | $\pi/4$ -DQPSK, 8-DPSK, 2/3 Mbps | – | – | –20 | dBm |
| Interference Performance | | | | | |
| C/I cochannel | GFSK, 0.1% BER | – | – | 11 | dB |
| C/I 1 MHz adjacent channel | GFSK, 0.1% BER | – | – | 0 | dB |
| C/I 2 MHz adjacent channel | GFSK, 0.1% BER | – | – | –30.0 | dB |
| C/I \geq 3 MHz adjacent channel | GFSK, 0.1% BER | – | – | –40.0 | dB |
| C/I image channel | GFSK, 0.1% BER | – | – | –9.0 | dB |
| C/I 1 MHz adjacent to image channel | GFSK, 0.1% BER | – | – | –20.0 | dB |
| C/I cochannel | $\pi/4$ -DQPSK, 0.1% BER | – | – | 13 | dB |
| C/I 1 MHz adjacent channel | $\pi/4$ -DQPSK, 0.1% BER | – | – | 0 | dB |
| C/I 2 MHz adjacent channel | $\pi/4$ -DQPSK, 0.1% BER | – | – | –30.0 | dB |
| C/I \geq 3 MHz adjacent channel | $\pi/4$ -DQPSK, 0.1% BER | – | – | –40.0 | dB |
| C/I image channel | $\pi/4$ -DQPSK, 0.1% BER | – | – | –7.0 | dB |
| C/I 1 MHz adjacent to image channel | $\pi/4$ -DQPSK, 0.1% BER | – | – | –20.0 | dB |
| C/I cochannel | 8-DPSK, 0.1% BER | – | – | 21 | dB |
| C/I 1 MHz adjacent channel | 8-DPSK, 0.1% BER | – | – | 5 | dB |
| C/I 2 MHz adjacent channel | 8-DPSK, 0.1% BER | – | – | –25.0 | dB |
| C/I \geq 3 MHz adjacent channel | 8-DPSK, 0.1% BER | – | – | –33.0 | dB |
| C/I image channel | 8-DPSK, 0.1% BER | – | – | 0 | dB |
| C/I 1 MHz adjacent to image channel | 8-DPSK, 0.1% BER | – | – | –13.0 | dB |
| Out-of-Band Blocking Performance (CW) ^e | | | | | |
| 30–2000 MHz | 0.1% BER | – | –10.0 | – | dBm |
| 2000–2399 MHz | 0.1% BER | – | –27 | – | dBm |
| 2498–3000 MHz | 0.1% BER | – | –27 | – | dBm |
| 3000 MHz–12.75 GHz | 0.1% BER | – | –10.0 | – | dBm |
| Intermodulation Performance ^f | | | | | |
| BT, $\Delta f = 5$ MHz | – | –39.0 | – | – | dBm |

Table 23. Receiver RF Specifications^{a,b} (Cont.)

| Parameter | Conditions | Minimum | Typical ^c | Maximum | Unit |
|---------------------------------|------------|---------|----------------------|---------|------|
| Spurious Emissions ^g | | | | | |
| 30 MHz to 1 GHz | – | – | – | –57 | dBm |
| 1 GHz to 12.75 GHz | – | – | – | –47 | dBm |

a. All specifications are single ended. Unused inputs are left open.

b. All specifications, except typical, are for commercial temperatures.

c. Typical operating conditions are 1.22V operating voltage and 25°C ambient temperature.

d. The receiver sensitivity is measured at a BER of 0.1% on the device interface.

e. Meets this specification using front-end band-pass filter.

f. $f_0 = -64$ dBm Bluetooth-modulated signal, $f_1 = -39$ dBm sine wave, $f_2 = -39$ dBm Bluetooth-modulated signal, $f_0 = 2f_1 - f_2$, and $|f_2 - f_1| = n \times 1$ MHz, where n is 3, 4, or 5. For the typical case, $n = 5$.

g. Includes baseband radiated emissions.

Table 24. Transmitter RF Specifications^{a,b}

| Parameter | Conditions | Minimum | Typical | Maximum | Unit |
|-----------------------------------------------|------------|---------|---------|----------------------|------|
| General | | | | | |
| Frequency range | – | 2402 | – | 2480 | MHz |
| Class1: GFSK Tx power ^{cd} | – | 6.5 | 10 | – | dBm |
| Class1: EDR Tx power ^{de} | – | 4.5 | 8 | – | dBm |
| Class 2: GFSK Tx power ^d | – | –0.5 | 3 | – | dBm |
| Power control step | – | 2 | 4 | 6 | dB |
| Modulation Accuracy | | | | | |
| $\pi/4$ -DQPSK frequency stability | – | –10 | – | 10 | kHz |
| $\pi/4$ -DQPSK RMS DEVM | – | – | – | 20 | % |
| $\pi/4$ -QPSK peak DEVM | – | – | – | 35 | % |
| $\pi/4$ -DQPSK 99% DEVM | – | – | – | 30 | % |
| 8-DPSK frequency stability | – | –10 | – | 10 | kHz |
| 8-DPSK RMS DEVM | – | – | – | 13 | % |
| 8-DPSK peak DEVM | – | – | – | 25 | % |
| 8-DPSK 99% DEVM | – | – | – | 20 | % |
| In-Band Spurious Emissions | | | | | |
| +500 kHz | – | – | – | –20 | dBc |
| $1.0 \text{ MHz} < M - N < 1.5 \text{ MHz}$ | – | – | – | –26 | dBc |
| $1.5 \text{ MHz} < M - N < 2.5 \text{ MHz}$ | – | – | – | –20 | dBm |
| $ M - N \geq 2.5 \text{ MHz}$ | – | – | – | –40 | dBm |
| Out-of-Band Spurious Emissions | | | | | |
| 30 MHz to 1 GHz | – | – | – | –36.0 ^f | dBm |
| 1 GHz to 12.75 GHz | – | – | – | –30.0 ^{f,g} | dBm |
| 1.8 GHz to 1.9 GHz | – | – | – | –47.0 | dBm |
| 5.15 GHz to 5.3 GHz | – | – | – | –47.0 | dBm |

a. All specifications are for commercial temperatures.

b. All specifications are single-ended. Unused inputs are left open.

c. +10 dBm output for GFSK measured with VDDTF = 2.9 V.

d. Power output is measured at the device without a front-end band-pass filter.

e. +8 dBm output for EDR measured with VDDTF = 2.9 V.

f. Maximum value is the value required for Bluetooth qualification.

g. Meets this specification using a front-end band-pass filter.

3.3 Timing and AC Characteristics

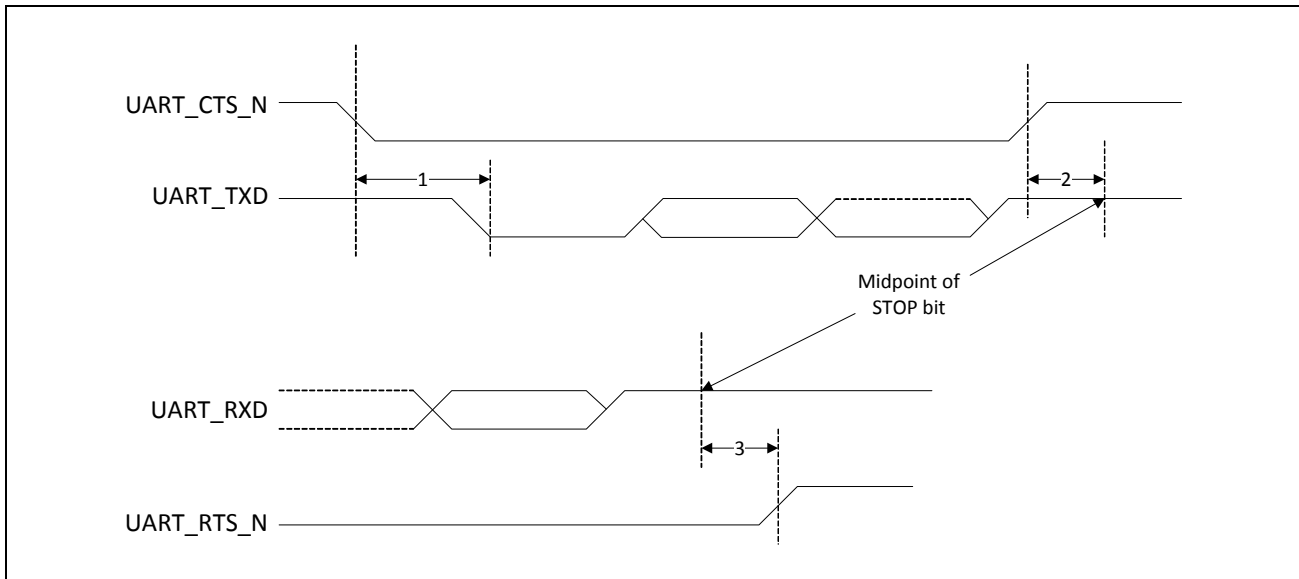
In this section, use the numbers listed in the Reference column of each table to interpret the following timing diagrams.

3.3.1 UART Timing

Table 25. UART Timing Specifications

| Reference | Characteristics | Min | Max | Unit |
|-----------|---------------------------------------------------------|-----|-----|-----------------|
| 1 | Delay time, UART_CTS_N low to UART_TXD valid | – | 24 | Baud out cycles |
| 2 | Setup time, UART_CTS_N high before midpoint of stop bit | – | 10 | ns |
| 3 | Delay time, midpoint of stop bit to UART_RTS_N high | – | 2 | Baud out cycles |

Figure 15. UART Timing



3.3.2 SPI Timing

Figure 16. SPI Timing Diagram

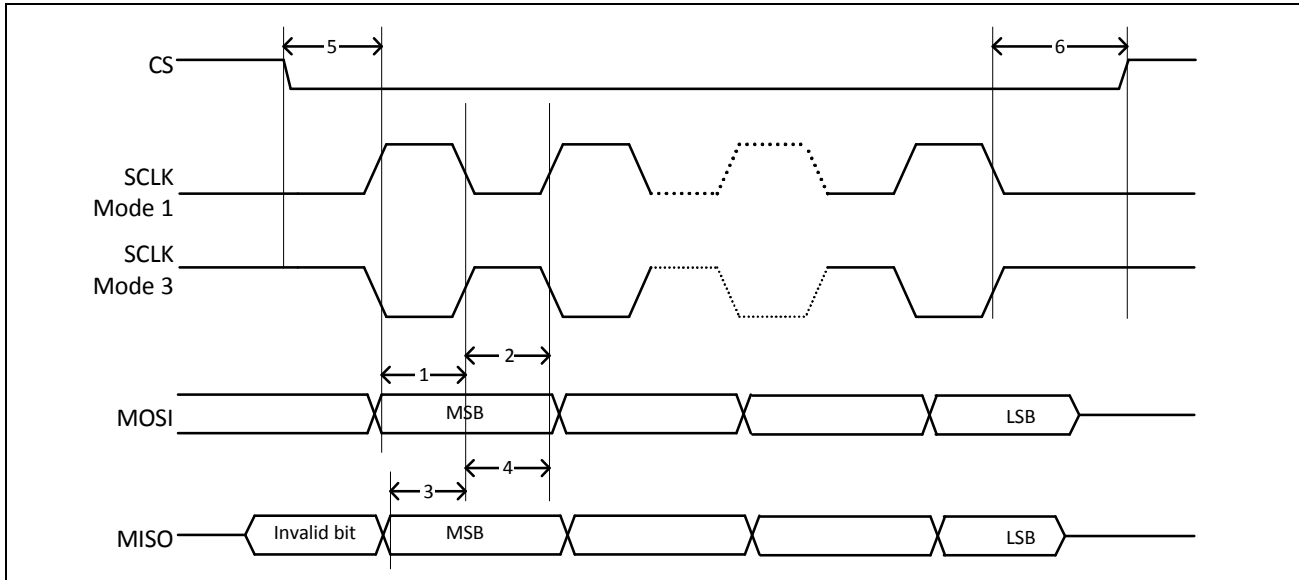


Table 26. SPI1 Timing Values—SCLK = 12 MHz and VDDM = 1.8V^a

| Reference | Characteristics | Symbol | Min | Typical ^b | Max | Unit |
|----------------|----------------------------------------------------------------|--------|-------------------------------|----------------------|-----|------|
| 1 | Output setup time, from MOSI data valid to sample edge of SCLK | Tds_mo | – | 23 | – | ns |
| 2 | Output hold time, from sample edge of SCLK to MOSI data update | Tdh_mo | – | 60 | – | ns |
| 3 | Input setup time, from MISO data valid to sample edge of SCLK | Tds_mi | – | TBD | – | ns |
| 4 | Input hold time, from sample edge of SCLK to MISO data update | Tdh_mi | – | TBD | – | ns |
| 5 ^c | Time from CS assert to first SCLK edge | Tsu_cs | $\frac{1}{2}$ SCLK period – 1 | – | – | ns |
| 6 ^c | Time from first SCLK edge to CS deassert | Thd_cs | $\frac{1}{2}$ SCLK period | – | – | ns |

a. The SCLK period is based on the limitation of Tds_mi. SCLK is designed for a maximum speed of 12 MHz. The speed can be adjusted to as low as 400 Hz by configuring the firmware.

b. Typical timing based on 20 pF//1 MΩ load and SCLK = 12 MHz.

c. CS timing is firmware controlled.

Table 27. SPI1 Timing Values—SCLK = 12 MHz and VDDM = 3.3V^a

| Reference | Characteristics | Symbol | Min | Typical ^b | Max | Unit |
|----------------|----------------------------------------------------------------|--------|-------------------|----------------------|-----|------|
| 1 | Output setup time, from MOSI data valid to sample edge of SCLK | Tds_mo | – | 34 | – | ns |
| 2 | Output hold time, from sample edge of SCLK to MOSI data update | Tdh_mo | – | 49 | – | ns |
| 3 | Input setup time, from MISO data valid to sample edge of SCLK | Tds_mi | – | TBD | – | ns |
| 4 | Input hold time, from sample edge of SCLK to MISO data update | Tdh_mi | – | TBD | – | ns |
| 5 ^c | Time from CS assert to first SCLK edge | Tsu_cs | ½ SCLK period – 1 | – | – | ns |
| 6 ^c | Time from first SCLK edge to CS deassert | Thd_cs | ½ SCLK period | – | – | ns |

- a. The SCLK period is based on the limitation of Tds_mi. SCLK is designed for a maximum speed of 12 MHz. The speed can be adjusted to as low as 400 Hz by configuring the firmware.
- b. Typical timing based on 20 pF//1 MΩ load and SCLK = 12 MHz.
- c. CS timing is firmware controlled.

Table 28. SPI2 Timing Values—SCLK = 6 MHz and VDDM = 3.3V^a

| Reference | Characteristics | Symbol | Min | Typical ^b | Max | Unit |
|----------------|----------------------------------------------------------------|--------|-------------------|----------------------|-----|------|
| 1 | Output setup time, from MOSI data valid to sample edge of SCLK | Tds_mo | – | 67 | – | ns |
| 2 | Output hold time, from sample edge of SCLK to MOSI data update | Tdh_mo | – | 99 | – | ns |
| 3 | Input setup time, from MISO data valid to sample edge of SCLK | Tds_mi | – | TBD | – | ns |
| 4 | Input hold time, from sample edge of SCLK to MISO data update | Tdh_mi | – | TBD | – | ns |
| 5 ^c | Time from CS assert to first SCLK edge | Tsu_cs | ½ SCLK period – 1 | – | – | ns |
| 6 ^c | Time from first SCLK edge to CS deassert | Thd_cs | ½ SCLK period | – | – | ns |

- a. The SCLK period is based on the limitation of Tds_mi. SCLK is designed for a maximum speed of 6 MHz. The speed can be adjusted to as low as 400 Hz by configuring the firmware.
- b. Typical timing based on 20 pF//1 MΩ load and SCLK = 6 MHz.
- c. CS timing is firmware controlled in master mode and can be adjusted as required in slave mode.

3.3.3 BSC Interface Timing

The specifications in [Table 29](#) and [Table 30](#) on page 43 reference [Figure 17](#) on page 43.

Table 29. BSC Interface Timing Specifications (up to 1 MHz)

| Reference | Characteristics | Min | Max | Unit |
|-----------|-----------------------------------|-----|---------------------------|------|
| 1 | Clock frequency | – | 100 400 800 1000 | kHz |
| 2 | START condition setup time | 650 | – | ns |
| 3 | START condition hold time | 280 | – | ns |
| 4 | Clock low time | 650 | – | ns |
| 5 | Clock high time | 280 | – | ns |
| 6 | Data input hold time ^a | 0 | – | ns |
| 7 | Data input setup time | 100 | – | ns |

Table 29. BSC Interface Timing Specifications (up to 1 MHz)

| Reference | Characteristics | Min | Max | Unit |
|-----------|----------------------------|-----|-----|------|
| 8 | STOP condition setup time | 280 | – | ns |
| 9 | Output valid from clock | – | 400 | ns |
| 10 | Bus free time ^b | 650 | – | ns |

a. As a transmitter, 125 ns of delay is provided to bridge the undefined region of the falling edge of SCL to avoid unintended generation of START or STOP conditions.

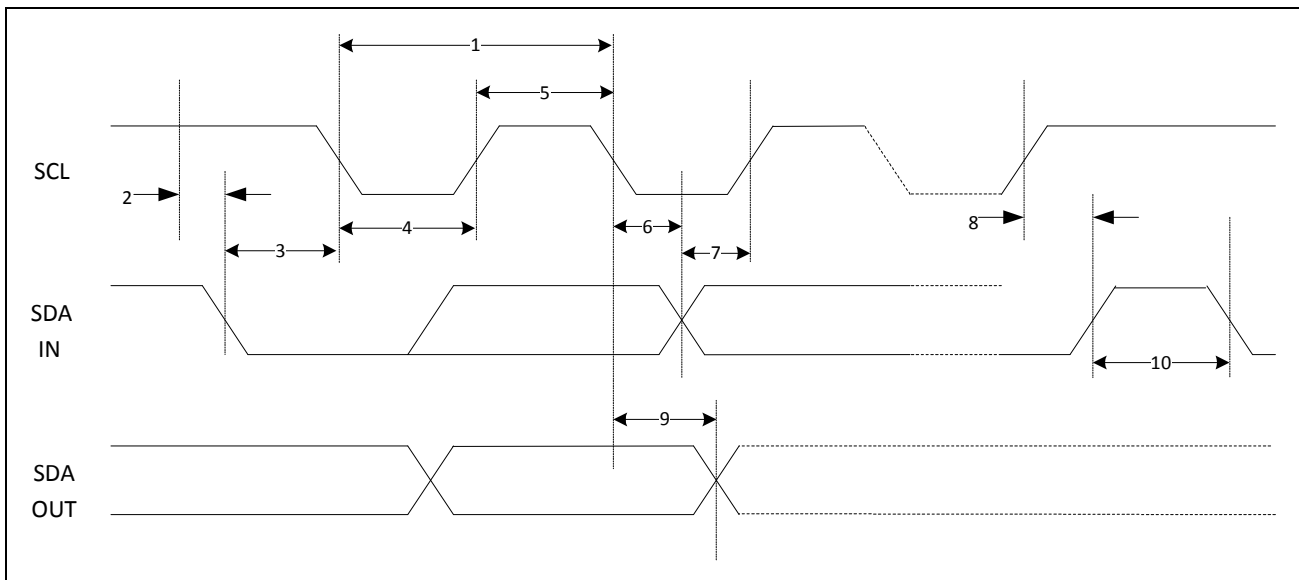
b. Time that the CBUS must be free before a new transaction can start.

Table 30. BSC Interface Timing Specification (1 MHz through 4 MHz)

| Reference | Characteristics | Min | Max | Unit |
|-----------|------------------------------------|--------------|-------|------|
| 1 | Clock frequency ^a | 1.000 | 4.000 | MHz |
| 2 | START condition setup time | 233 | – | ns |
| 3 | START condition hold time | 66 | – | ns |
| 4 | Clock low time ^b | ½ SCL period | – | ns |
| 5 | Clock high time ^b | ½ SCL period | – | ns |
| 6 | Data input hold time ^c | 0 | – | ns |
| 7 | Data input setup time ^d | 33.4 | – | ns |
| 8 | STOP condition setup time | 233 | – | ns |
| 9 | Output valid from clock | – | 150 | ns |
| 10 | Bus free time ^e | 650 | – | ns |

- a. Maximum speed is achieved without clock stretching. Strict timing parameter adherence for modes beyond I²C fast mode may require that the total capacitance of the SDA and SCL traces be very similar so that signal transition times are very similar.
- b. Programmable by firmware. Use 50% of period for overclocking frequencies greater than 2.400 MHz. Can be asymmetric (65/35 duty) for modest overclocking—up to 2.400 MHz.
- c. As a transmitter, 125 ns of delay is provided to bridge the undefined region of the falling edge of SCL to avoid unintended generation of START or STOP conditions.
- d. Depends on the degree of overclocking. Application-specific programmability of the hardware block can affect this parameter.
- e. Time that CBUS must be free before a new transaction can start.

Figure 17. BSC Interface Timing Diagram



3.3.4 PCM Interface Timing

The following is a list of the PCM interface timing diagrams.

- [PCM Electrical Timing Slave—Short Frame Sync](#)
- [PCM Electrical Timing Master—Short Frame Sync](#)
- [PCM Electrical Timing Burst \(Slave Rx Only\)—Short Frame Sync](#)

- PCM Electrical Timing Slave—Long Frame Sync
- PCM Electrical Timing Master—Long Frame Sync
- PCM Electrical Timing Burst (Slave Rx Only)—Long Frame Sync

Note: The TX and RX timings are combined on the same diagram. The CYW20733 can only either transmit or receive in a given slot.

PCM Electrical Timing Slave—Short Frame Sync

Figure 18. PCM Electrical Timing Slave—Short Frame Sync Diagram

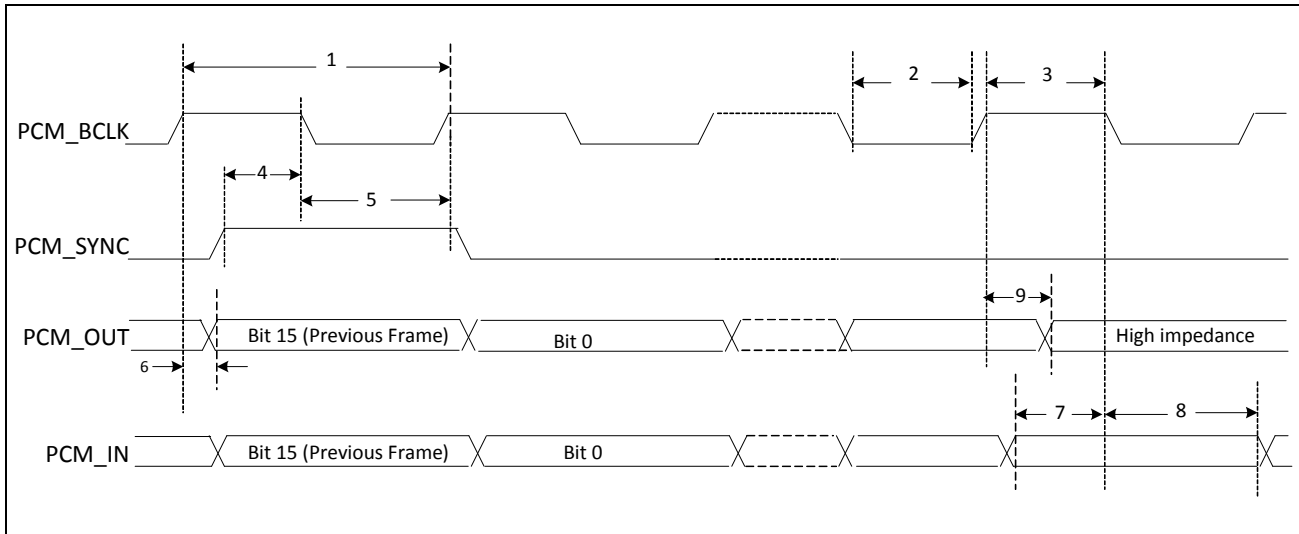


Table 31. PCM Electrical Timing Slave—Short Frame Sync Characteristics

| Reference | Characteristics | Minimum | Typical | Maximum | Unit |
|-----------|----------------------------------------------------------------------------------------------|---------|---------|---------|------|
| 1 | PCM bit clock frequency | – | – | 12 | MHz |
| 2 | PCM bit clock low time | 41 | – | – | ns |
| 3 | PCM bit clock high time | 41 | – | – | ns |
| 4 | PCM_SYNC setup time | 8 | – | – | ns |
| 5 | PCM_SYNC hold time | 8 | – | – | ns |
| 6 | PCM_OUT delay | 0 | – | 25 | ns |
| 7 | PCM_IN setup | 8 | – | – | ns |
| 8 | PCM_IN hold | 8 | – | – | ns |
| 9 | Delay from rising edge of PCM_BCLK during last bit period to PCM_OUT becoming high impedance | 0 | – | 25 | ns |

PCM Electrical Timing Master—Short Frame Sync

Figure 19. PCM Electrical Timing Master—Short Frame Sync Diagram

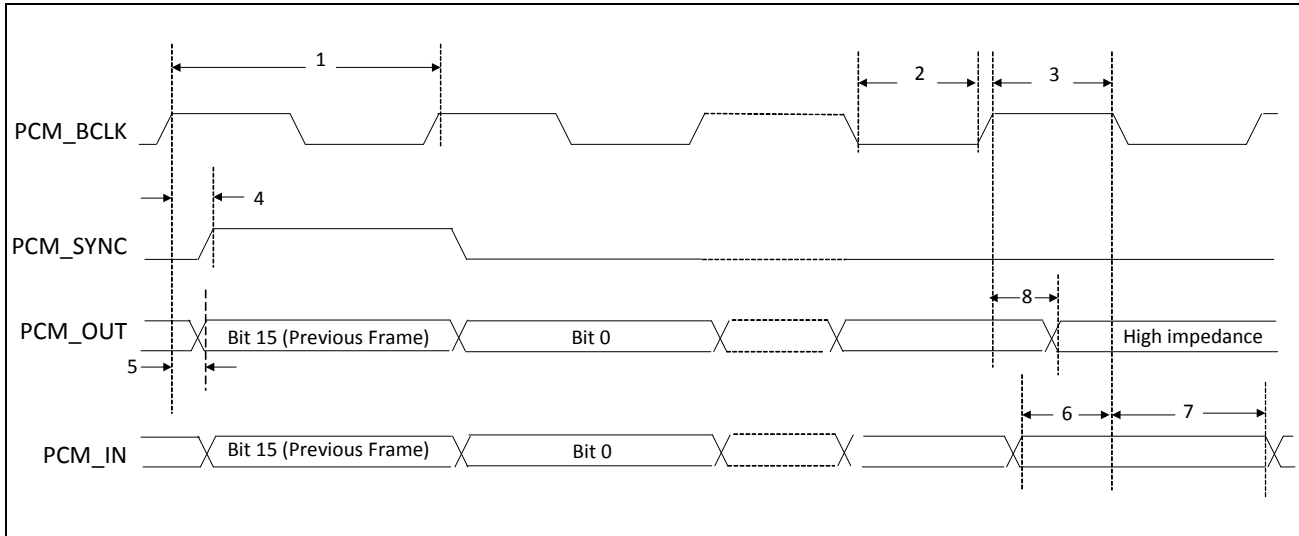


Table 32. Values of PCM Electrical Timing Master—Short Frame Sync Characteristics

| Reference | Characteristics | Minimum | Typical | Maximum | Unit |
|-----------|----------------------------------------------------------------------------------------------|---------|---------|---------|------|
| 1 | PCM bit clock frequency | – | – | 12 | MHz |
| 2 | PCM bit clock low time | 41 | – | – | ns |
| 3 | PCM bit clock high time | 41 | – | – | ns |
| 4 | PCM_SYNC delay | 0 | – | 25 | ns |
| 5 | PCM_OUT delay | 0 | – | 25 | ns |
| 6 | PCM_IN setup | 8 | – | – | ns |
| 7 | PCM_IN hold | 8 | – | – | ns |
| 8 | Delay from rising edge of PCM_BCLK during last bit period to PCM_OUT becoming high impedance | 0 | – | 25 | ns |

PCM Electrical Timing Burst (Slave Rx Only)—Short Frame Sync

Figure 20. PCM Electrical Timing Burst (Slave Rx-Only)—Short Frame Sync Diagram

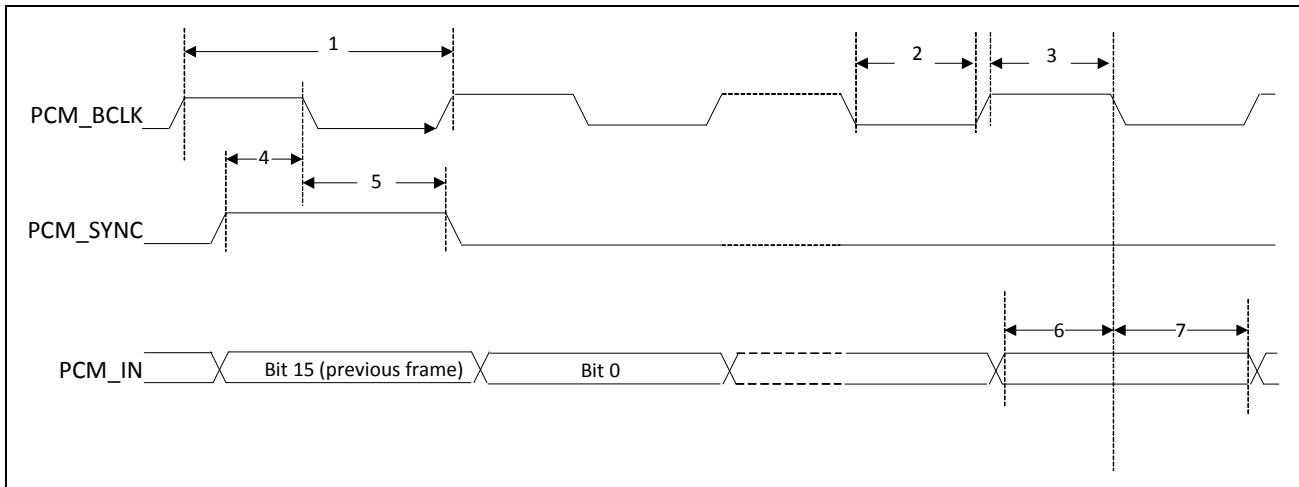


Table 33. Values of PCM Electrical Timing Burst (Slave Rx-Only)—Short Frame Sync Characteristics

| Reference | Characteristics | Minimum | Typical | Maximum | Unit |
|-----------|-------------------------|---------|---------|---------|------|
| 1 | PCM bit clock frequency | – | – | 24 | MHz |
| 2 | PCM bit clock low time | 20.8 | – | – | ns |
| 3 | PCM bit clock high time | 20.8 | – | – | ns |
| 4 | PCM_SYNC setup time | 8 | – | – | ns |
| 5 | PCM_SYNC hold time | 8 | – | – | ns |
| 6 | PCM_IN setup | 8 | – | – | ns |
| 7 | PCM_IN hold | 8 | – | – | ns |

PCM Electrical Timing Slave—Long Frame Sync

Figure 21. PCM Electrical Timing Slave—Long Frame Sync Diagram

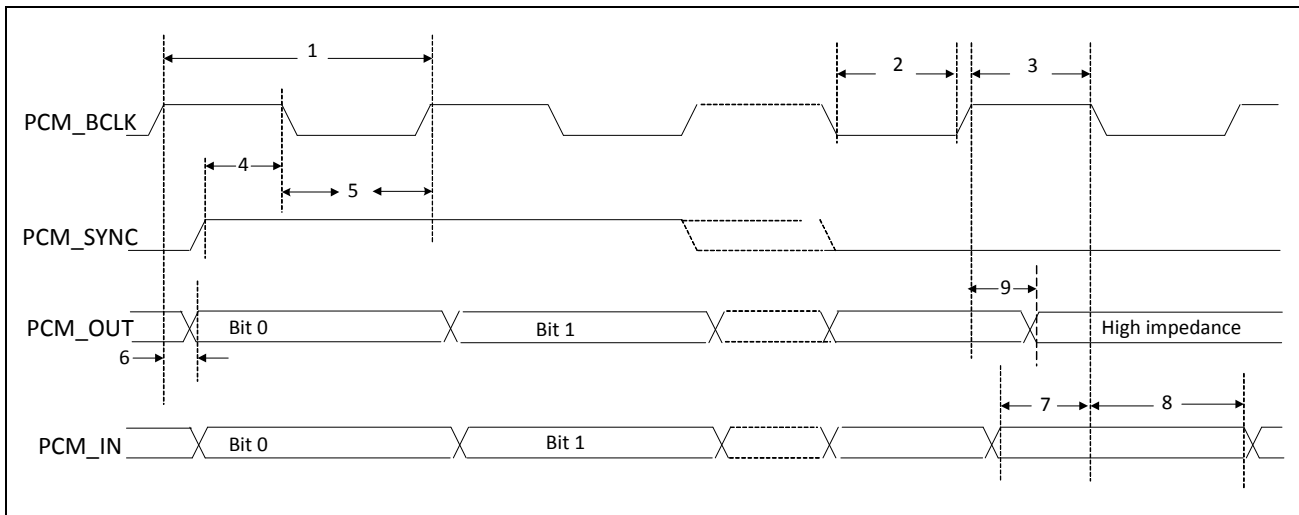


Table 34. Values of PCM Electrical Timing Slave—Long Frame Sync Characteristics

| Reference | Characteristics | Minimum | Typical | Maximum | Unit |
|-----------|----------------------------------------------------------------------------------------------|---------|---------|---------|------|
| 1 | PCM bit clock frequency | – | – | 12 | MHz |
| 2 | PCM bit clock low time | 41 | – | – | ns |
| 3 | PCM bit clock high time | 41 | – | – | ns |
| 4 | PCM_SYNC setup time | 8 | – | – | ns |
| 5 | PCM_SYNC hold time | 8 | – | – | ns |
| 6 | PCM_OUT delay | 0 | – | 25 | ns |
| 7 | PCM_IN setup | 8 | – | – | ns |
| 8 | PCM_IN hold | 8 | – | – | ns |
| 9 | Delay from rising edge of PCM_BCLK during last bit period to PCM_OUT becoming high impedance | 0 | – | 25 | ns |

PCM Electrical Timing Master—Long Frame Sync

Figure 22. PCM Electrical Timing Master—Long Frame Sync Diagram

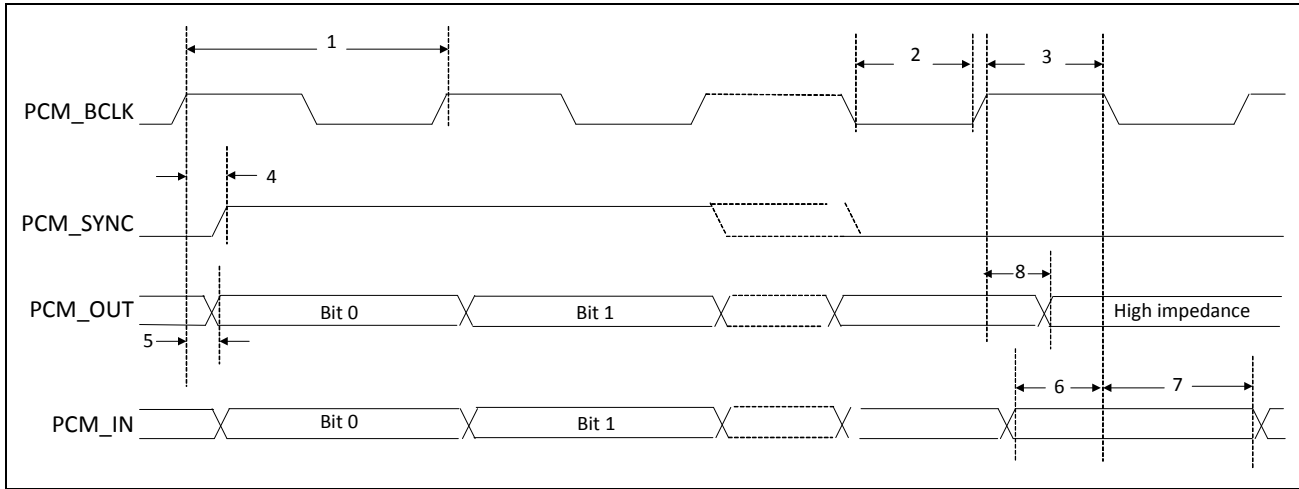


Table 35. Values of PCM Electrical Timing Master—Long Frame Sync Characteristics

| Reference | Characteristics | Minimum | Typical | Maximum | Unit |
|-----------|----------------------------------------------------------------------------------------------|---------|---------|---------|------|
| 1 | PCM bit clock frequency | – | – | 12 | MHz |
| 2 | PCM bit clock low time | 41 | – | – | ns |
| 3 | PCM bit clock high time | 41 | – | – | ns |
| 4 | PCM_SYNC delay | 0 | – | 25 | ns |
| 5 | PCM_OUT delay | 0 | – | 25 | ns |
| 6 | PCM_IN setup | 8 | – | – | ns |
| 7 | PCM_IN hold | 8 | – | – | ns |
| 8 | Delay from rising edge of PCM_BCLK during last bit period to PCM_OUT becoming high impedance | 0 | – | 25 | ns |

PCM Electrical Timing Burst (Slave Rx Only)—Long Frame Sync

Figure 23. PCM Electrical Timing Burst (Slave Rx-Only)—Long Frame Sync Diagram

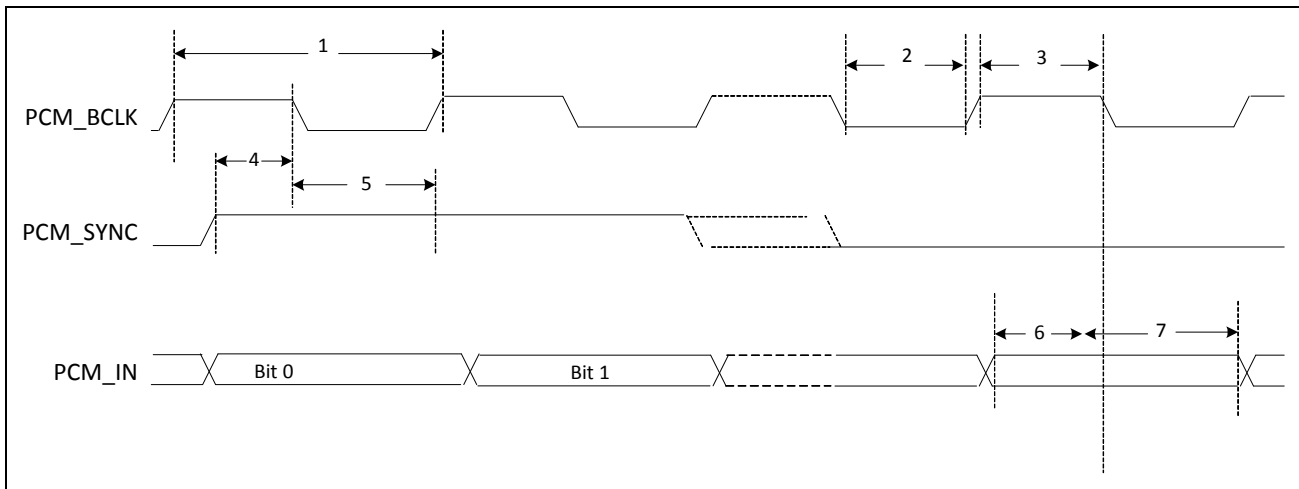


Table 36. Values of PCM Electrical Timing Burst (Slave Rx Only)—Long Frame Sync Characteristics

| Reference | Characteristics | Minimum | Typical | Maximum | Unit |
|-----------|-------------------------|---------|---------|---------|------|
| 1 | PCM bit clock frequency | – | – | 24 | MHz |
| 2 | PCM bit clock low time | 20.8 | – | – | ns |
| 3 | PCM bit clock high time | 20.8 | – | – | ns |
| 4 | PCM_SYNC setup time | 8 | – | – | ns |
| 5 | PCM_SYNC hold time | 8 | – | – | ns |
| 6 | PCM_IN setup | 8 | – | – | ns |
| 7 | PCM_IN hold | 8 | – | – | ns |

3.3.5 I²S Timing

The following is a list of the I²S timing diagrams.

- I²S Electrical Timing Slave—Short Frame WS
- I²S Electrical Timing Master—Short Frame WS
- I²S Electrical Timing Burst (Slave Rx Only)—Short Frame WS
- I²S Electrical Timing Slave—Long Frame WS
- I²S Electrical Timing Master—Long Frame WS
- I²S Electrical Timing Burst (Slave Rx Only)—Long Frame WS

Note: The TX and RX timings are combined on the same diagram. The CYW20733 can only either transmit or receive in a given slot.

I²S Electrical Timing Slave—Short Frame WS

Figure 24. I²S Electrical Timing Slave — Short Frame WS Diagram

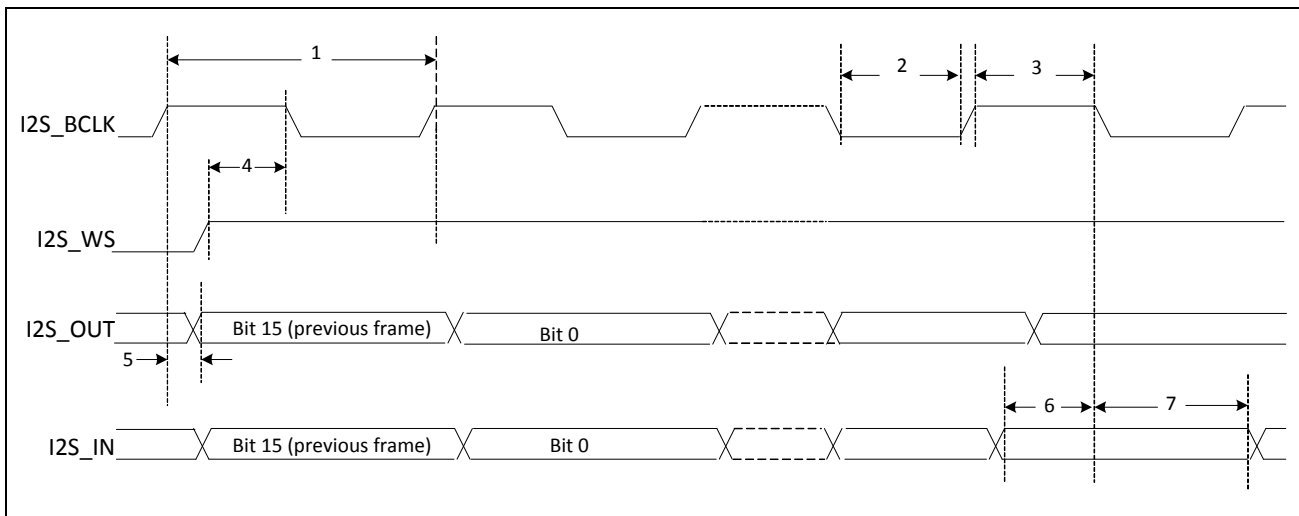
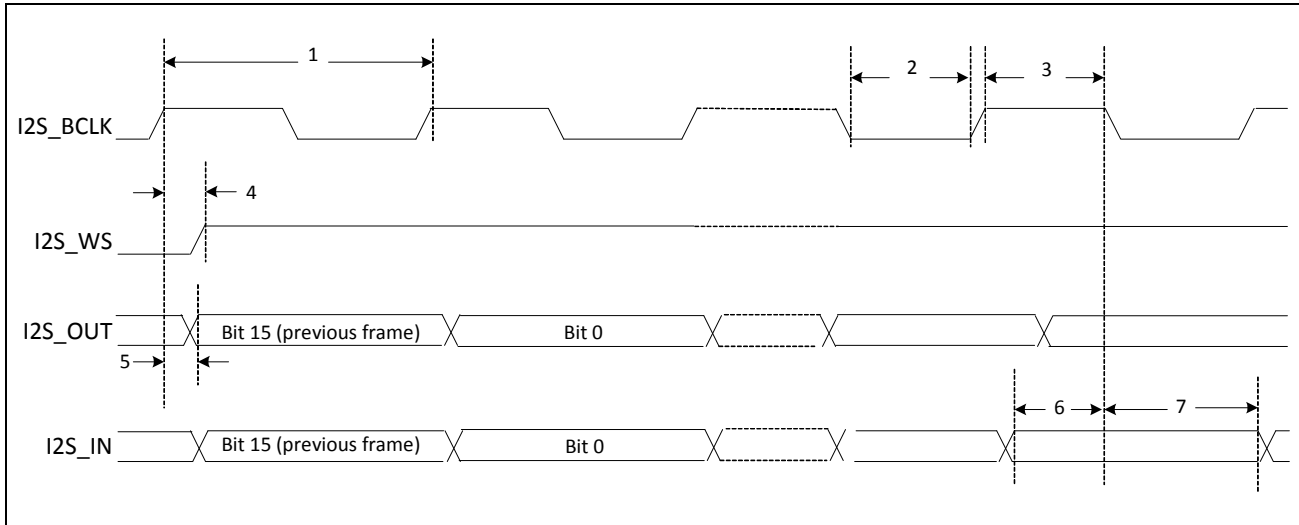


Table 37. Values of I²S Electrical Timing Slave—Short Frame WS Characteristics

| Reference | Characteristics | Minimum | Typical | Maximum | Unit |
|-----------|--------------------------------------|---------|---------|---------|------|
| 1 | I ² S bit clock frequency | – | – | 12 | MHz |
| 2 | I ² S bit clock low time | 41 | – | – | ns |
| 3 | I ² S bit clock high time | 41 | – | – | ns |
| 4 | I2S_WS setup time | 8 | – | – | ns |
| 5 | I2S_OUT delay | 0 | – | 25 | ns |

Table 37. Values of I²S Electrical Timing Slave—Short Frame WS Characteristics

| Reference | Characteristics | Minimum | Typical | Maximum | Unit |
|-----------|-----------------|---------|---------|---------|------|
| 6 | I2S_IN setup | 8 | – | – | ns |
| 7 | I2S_IN hold | 8 | – | – | ns |

I²S Electrical Timing Master—Short Frame WS
Figure 25. I²S Electrical Timing Master—Short Frame WS Diagram

Table 38. Values of I²S Electrical Timing Master—Short Frame WS Characteristics

| Reference | Characteristics | Minimum | Typical | Maximum | Unit |
|-----------|--------------------------------------|---------|---------|---------|------|
| 1 | I ² S bit clock frequency | – | – | 12 | MHz |
| 2 | I ² S bit clock low time | 41 | – | – | ns |
| 3 | I ² S bit clock high time | 41 | – | – | ns |
| 4 | I2S_WS delay | 0 | – | 25 | ns |
| 5 | I2S_OUT delay | 0 | – | 25 | ns |
| 6 | I2S_IN setup | 8 | – | – | ns |
| 7 | I2S_IN hold | 8 | – | – | ns |

I²S Electrical Timing Burst (Slave Rx Only)—Short Frame WS

Figure 26. I²S Electrical Timing Burst (Slave Rx Only)—Short Frame WS Diagram

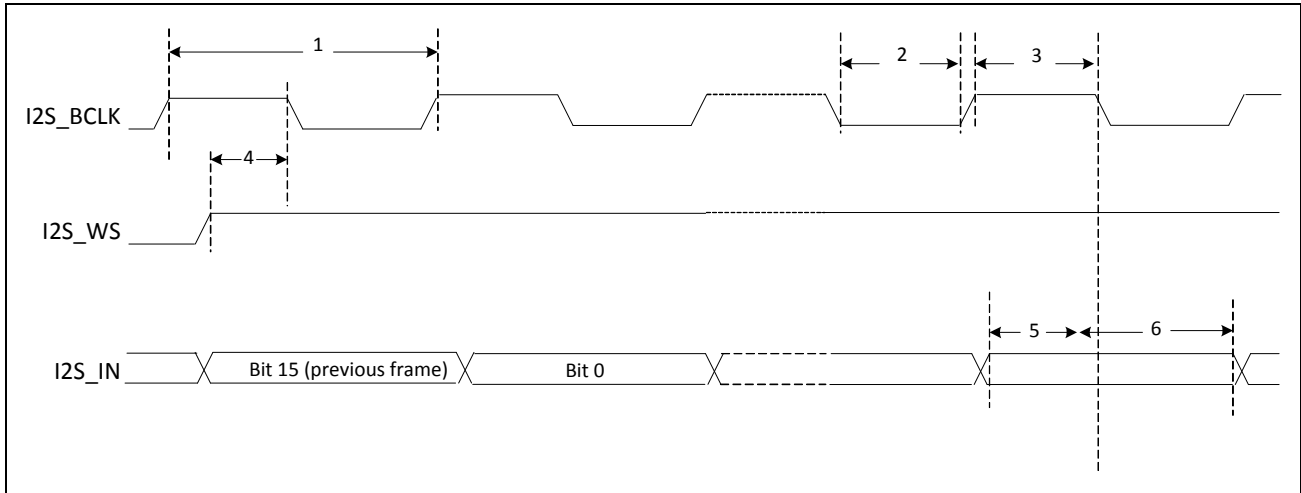


Table 39. Values of I²S Electrical Timing Burst (Slave Rx-Only)—Short Frame WS Characteristics

| Reference | Characteristics | Minimum | Typical | Maximum | Unit |
|-----------|--------------------------------------|---------|---------|---------|------|
| 1 | I ² S bit clock frequency | – | – | 24 | MHz |
| 2 | I ² S bit clock low time | 20.8 | – | – | ns |
| 3 | I ² S bit clock high time | 20.8 | – | – | ns |
| 4 | I2S_WS setup time | 8 | – | – | ns |
| 5 | I2S_IN setup | 8 | – | – | ns |
| 6 | I2S_IN hold | 8 | – | – | ns |

I²S Electrical Timing Slave—Long Frame WS

Figure 27. I²S Electrical Timing Slave—Long Frame WS Diagram

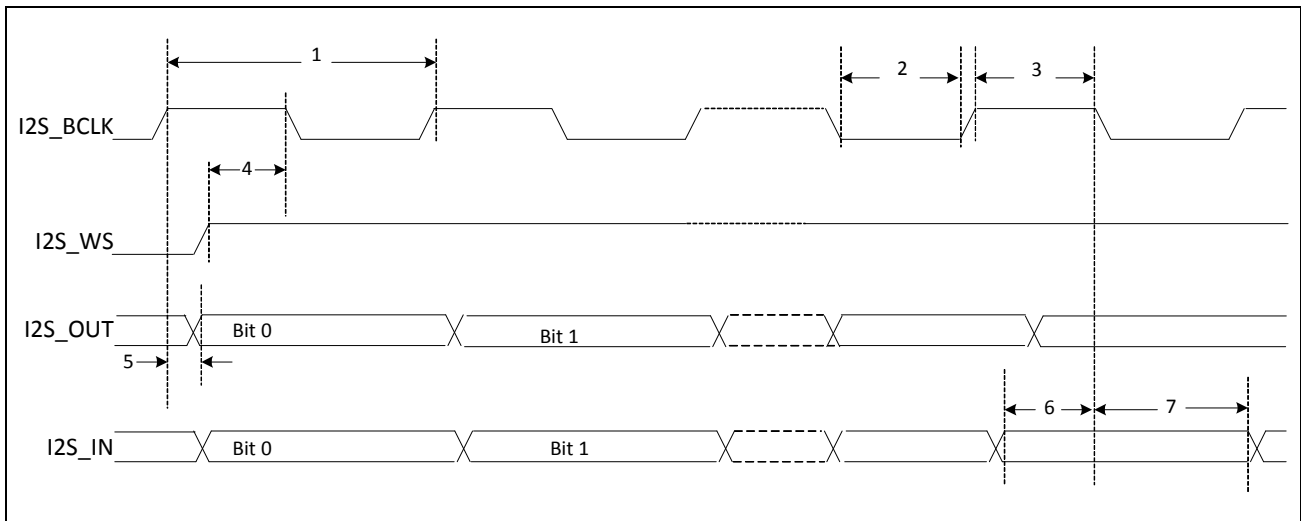


Table 40. Values of I²S Electrical Timing Slave—Long Frame WS Characteristics

| Reference | Characteristics | Minimum | Typical | Maximum | Unit |
|-----------|--------------------------------------|---------|---------|---------|------|
| 1 | I ² S bit clock frequency | – | – | 12 | MHz |
| 2 | I ² S bit clock low time | 41 | – | – | ns |
| 3 | I ² S bit clock high time | 41 | – | – | ns |
| 4 | I2S_WS setup time | 8 | – | – | ns |
| 5 | I2S_OUT delay | 0 | – | 25 | ns |
| 6 | I2S_IN setup | 8 | – | – | ns |
| 7 | I2S_IN hold | 8 | – | – | ns |

I²S Electrical Timing Master—Long Frame WS

Figure 28. I²S Electrical Timing Master—Long Frame WS Diagram

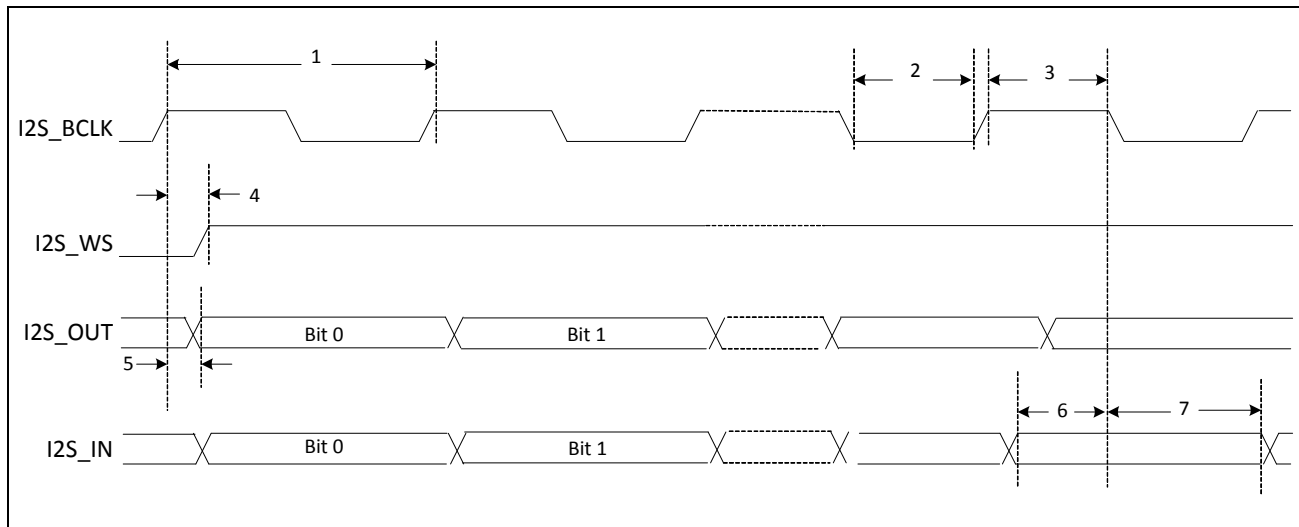
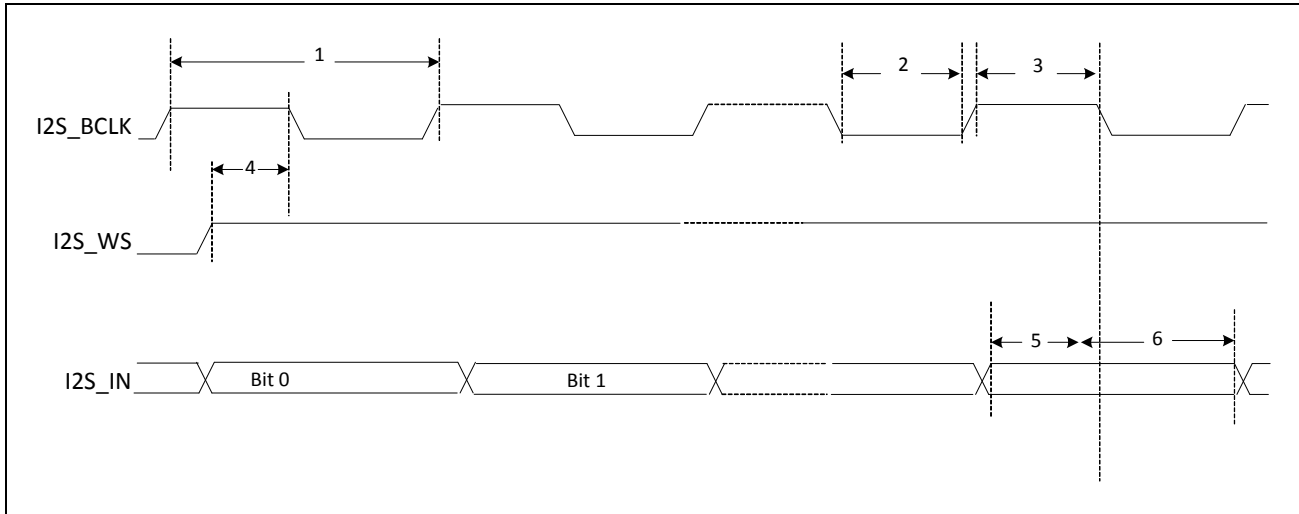


Table 41. Values of I²S Electrical Timing Master—Long Frame WS Characteristics

| Reference | Characteristics | Minimum | Typical | Maximum | Unit |
|-----------|--------------------------------------|---------|---------|---------|------|
| 1 | I ² S bit clock frequency | – | – | 12 | MHz |
| 2 | I ² S bit clock low time | 41 | – | – | ns |
| 3 | I ² S bit clock high time | 41 | – | – | ns |
| 4 | I2S_WS delay | 0 | – | 25 | ns |
| 5 | I2S_OUT delay | 0 | – | 25 | ns |
| 6 | I2S_IN setup | 8 | – | – | ns |
| 7 | I2S_IN hold | 8 | – | – | ns |

I²S Electrical Timing Burst (Slave Rx Only)—Long Frame WS
Figure 29. I²S Electrical Timing Burst (Slave Rx Only)—Long Frame WS Diagram

Table 42. Values of I²S Electrical Timing Burst (Slave Rx Only)—Long Frame WS Characteristics

| Reference | Characteristics | Minimum | Typical | Maximum | Unit |
|-----------|--------------------------------------|---------|---------|---------|------|
| 1 | I ² S bit clock frequency | – | – | 24 | MHz |
| 2 | I ² S bit clock low time | 20.8 | – | – | ns |
| 3 | I ² S bit clock high time | 20.8 | – | – | ns |
| 4 | I2S_WS setup time | 8 | – | – | ns |
| 5 | I2S_IN setup | 8 | – | – | ns |
| 6 | I2S_IN hold | 8 | – | – | ns |

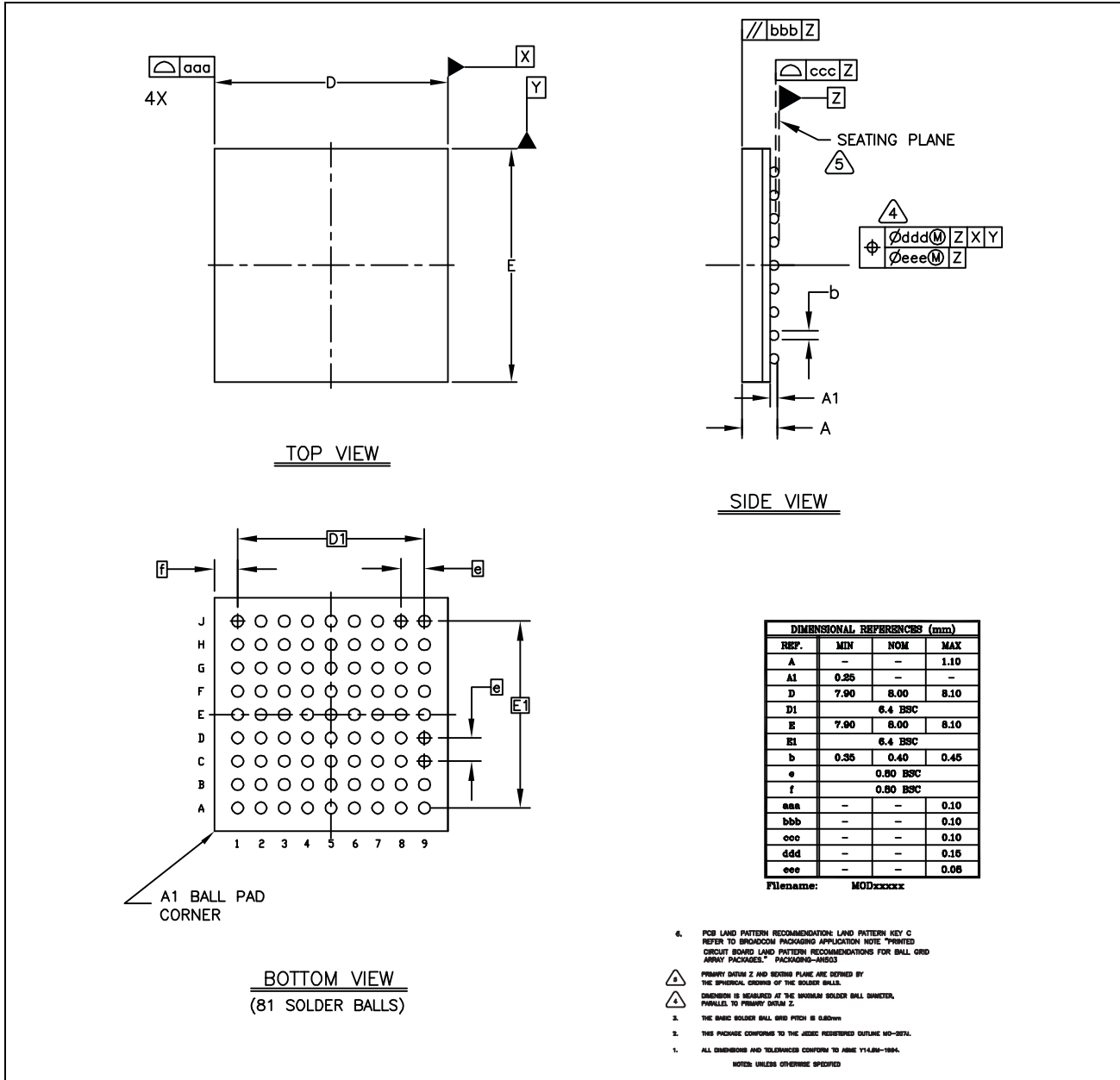
4. Mechanical Information
Figure 30. 81-Pin FBGA


Figure 31. 121-Pin FBGA

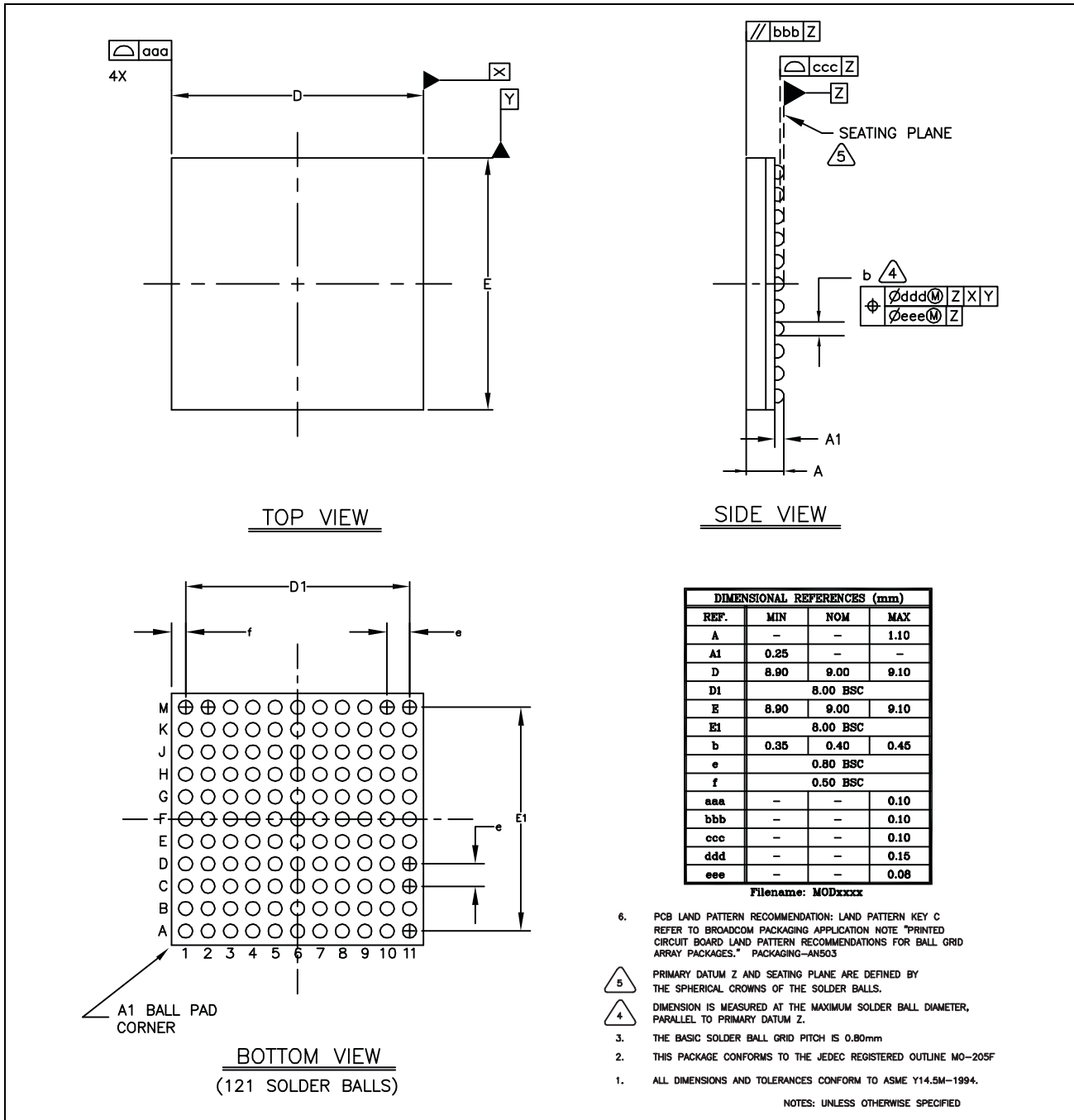
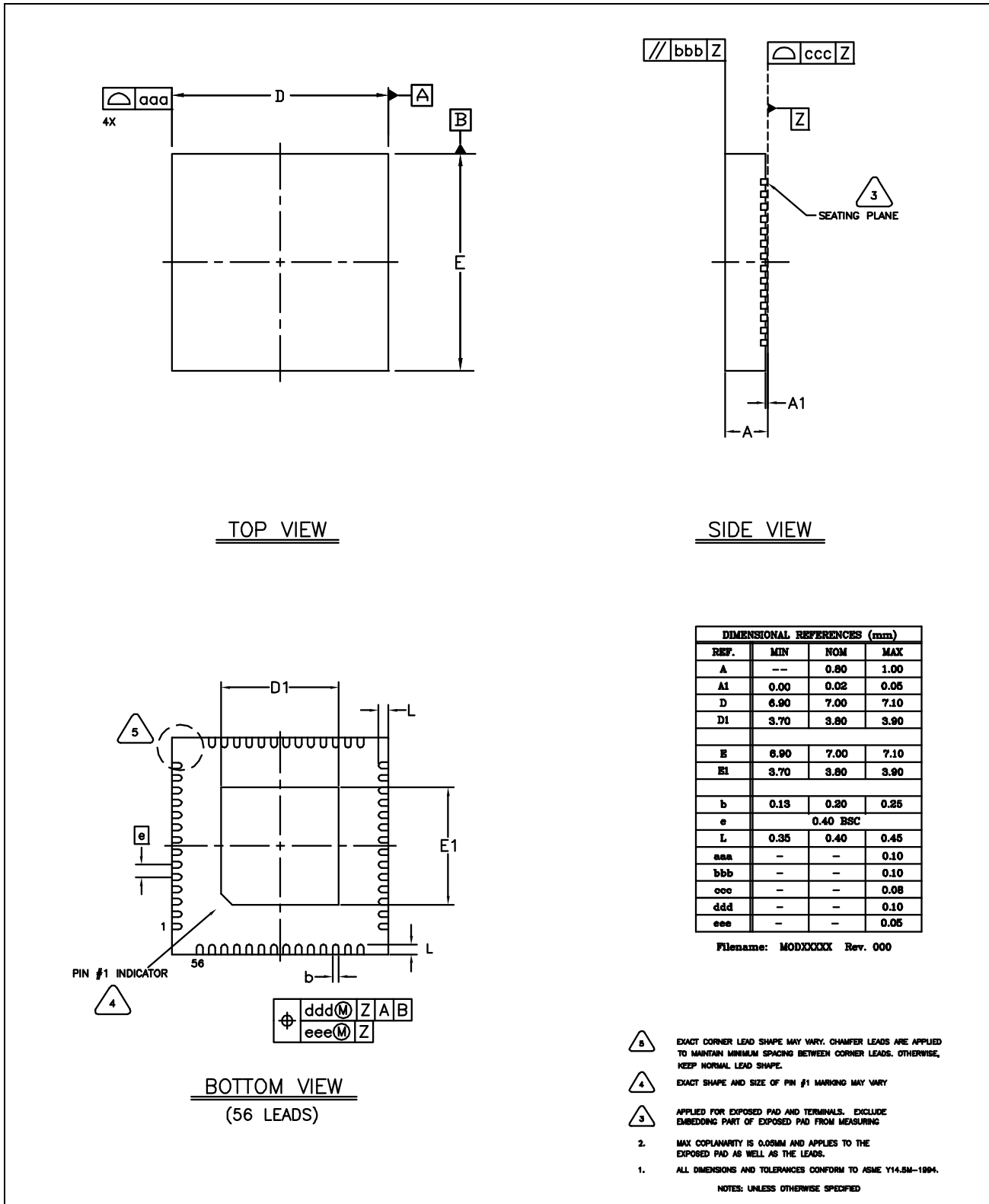


Figure 32. 56-Pin QFN


4.0.1 Tape Reel and Packaging Specifications

Table 43. CYW20733 8 × 8 × 1.0 mm FBGA 81-Pin Tape Reel Specifications

| | |
|-------------------|-------------|
| Quantity per reel | 2500 pieces |
| Reel diameter | 13 inches |
| Hub diameter | 7 inches |
| Tape width | 16 mm |
| Tape pitch | 12 mm |

Table 44. CYW20733 9 x 9 x 1.0 mm FBGA 121-Pin Tape Reel Specifications

| | |
|-------------------|-------------|
| Quantity per reel | 1500 pieces |
| Reel diameter | 13 inches |
| Hub diameter | 4 inches |
| Tape width | 16 mm |
| Tape pitch | 12 mm |

Table 45. CYW20733 7 x 7 x 1.0 mm QFN 56-Pin Tape Reel Specifications

| | |
|-------------------|-------------|
| Quantity per reel | 2500 pieces |
| Reel diameter | 13 inches |
| Hub diameter | 7 inches |
| Tape width | 16 mm |
| Tape pitch | 12 mm |

Figure 33. CYW20733 Reel/Labeling/Packaging Specification

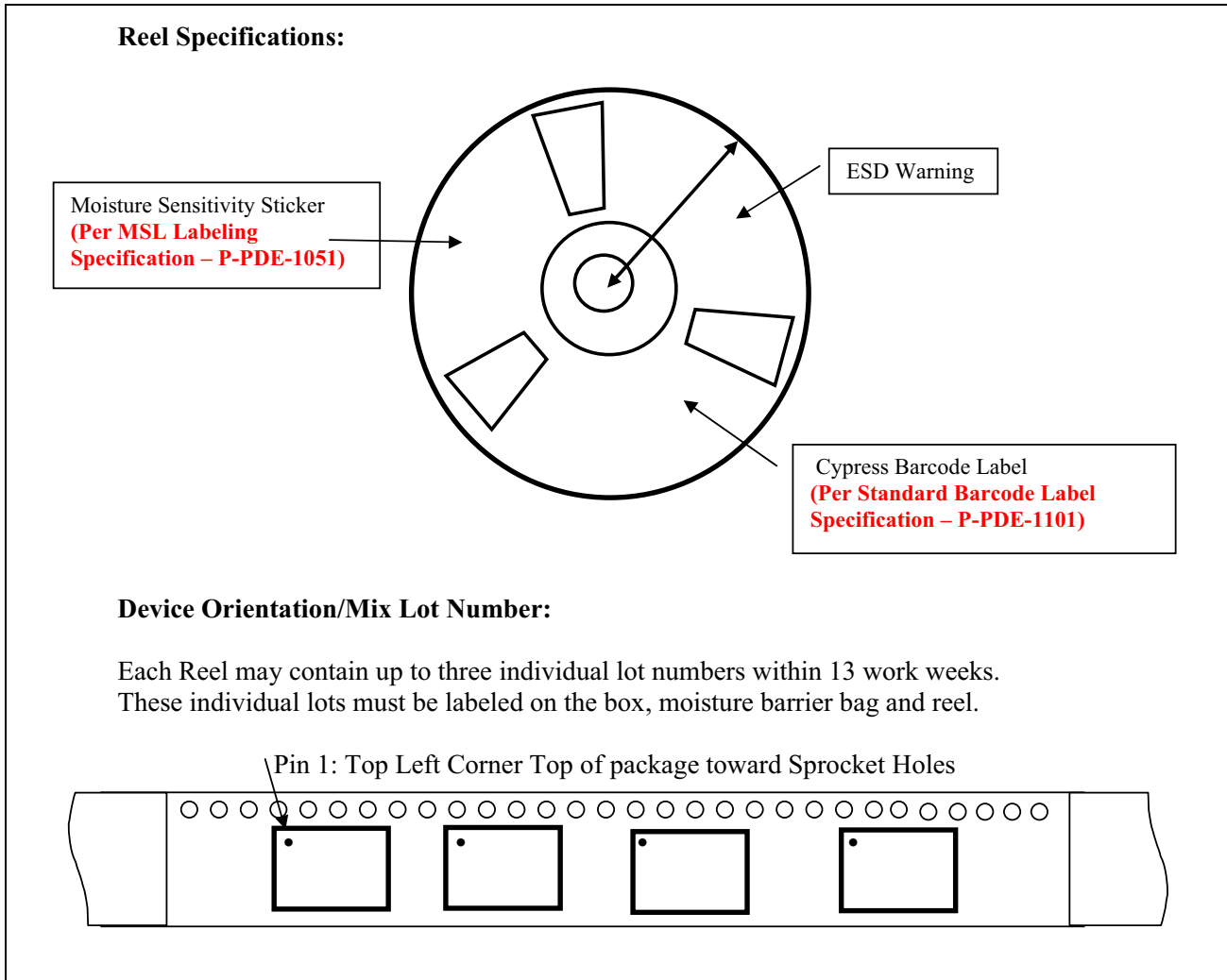


Figure 34. CYW20733 9 × 9 FBGA Package Tray (1 of 2)

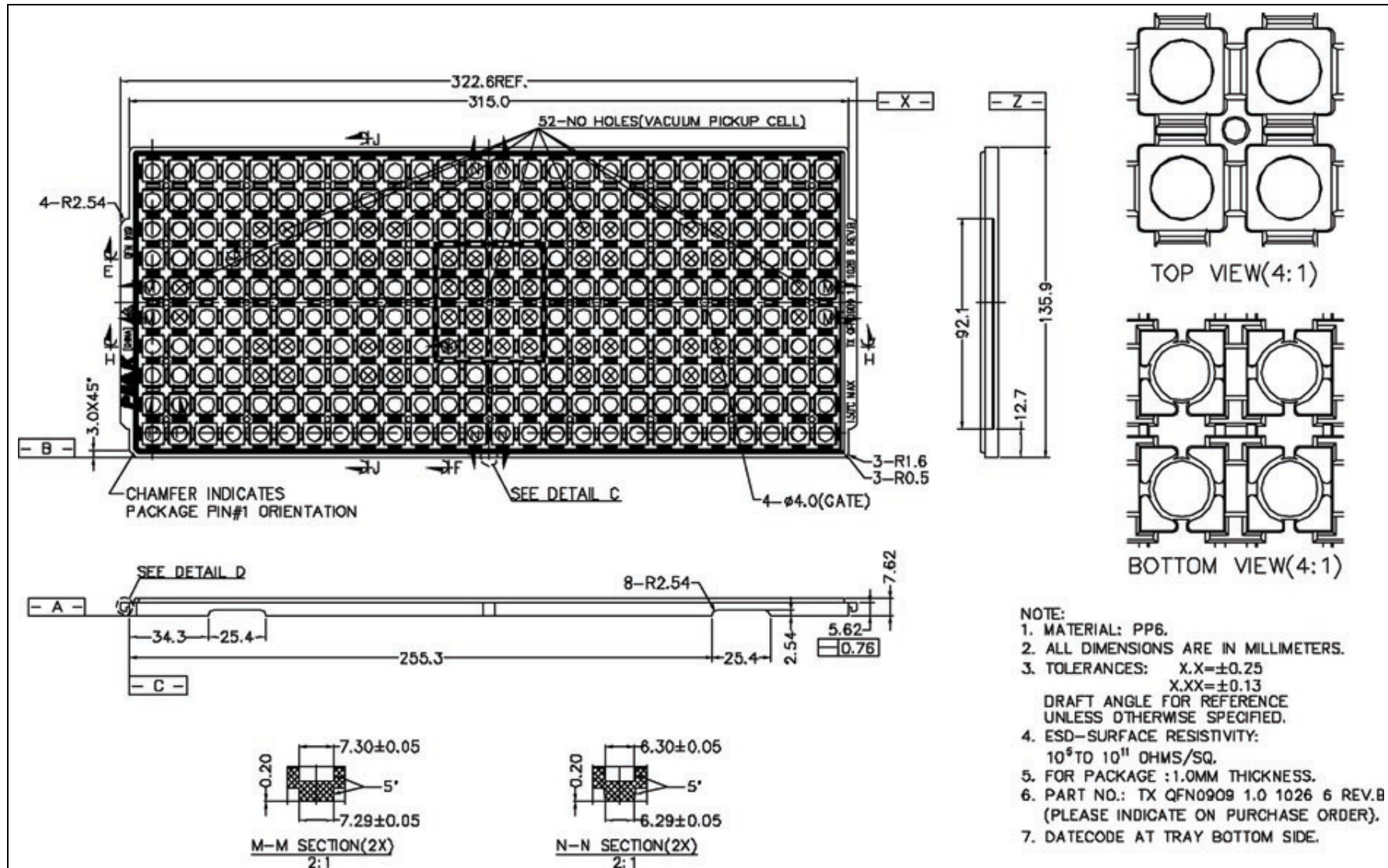


Figure 35. CYW20733 9 × 9 FBGA Package Tray (2 of 2)

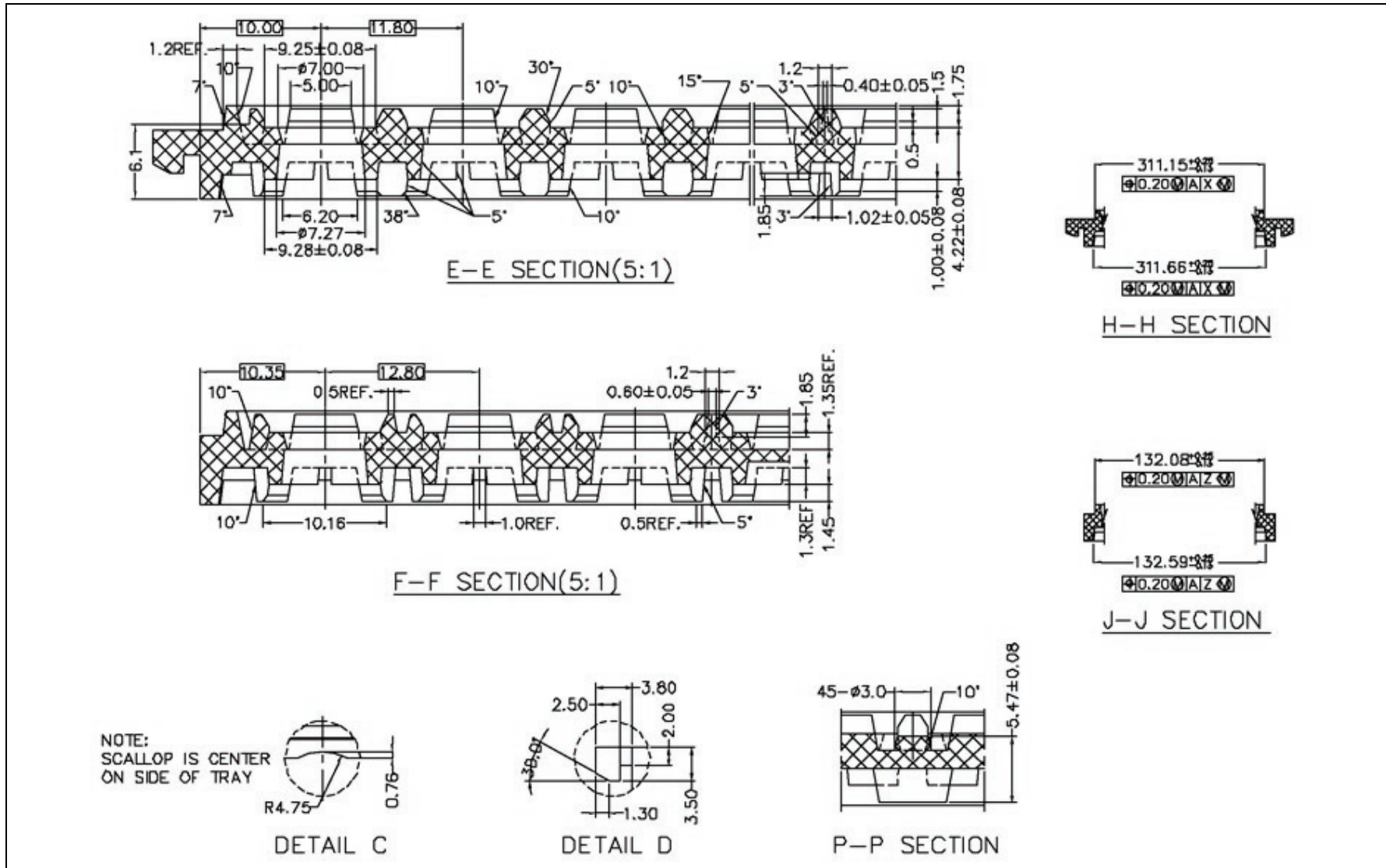


Figure 36. CYW20733 8 × 8 FBGA Package Tray (1 of 2)

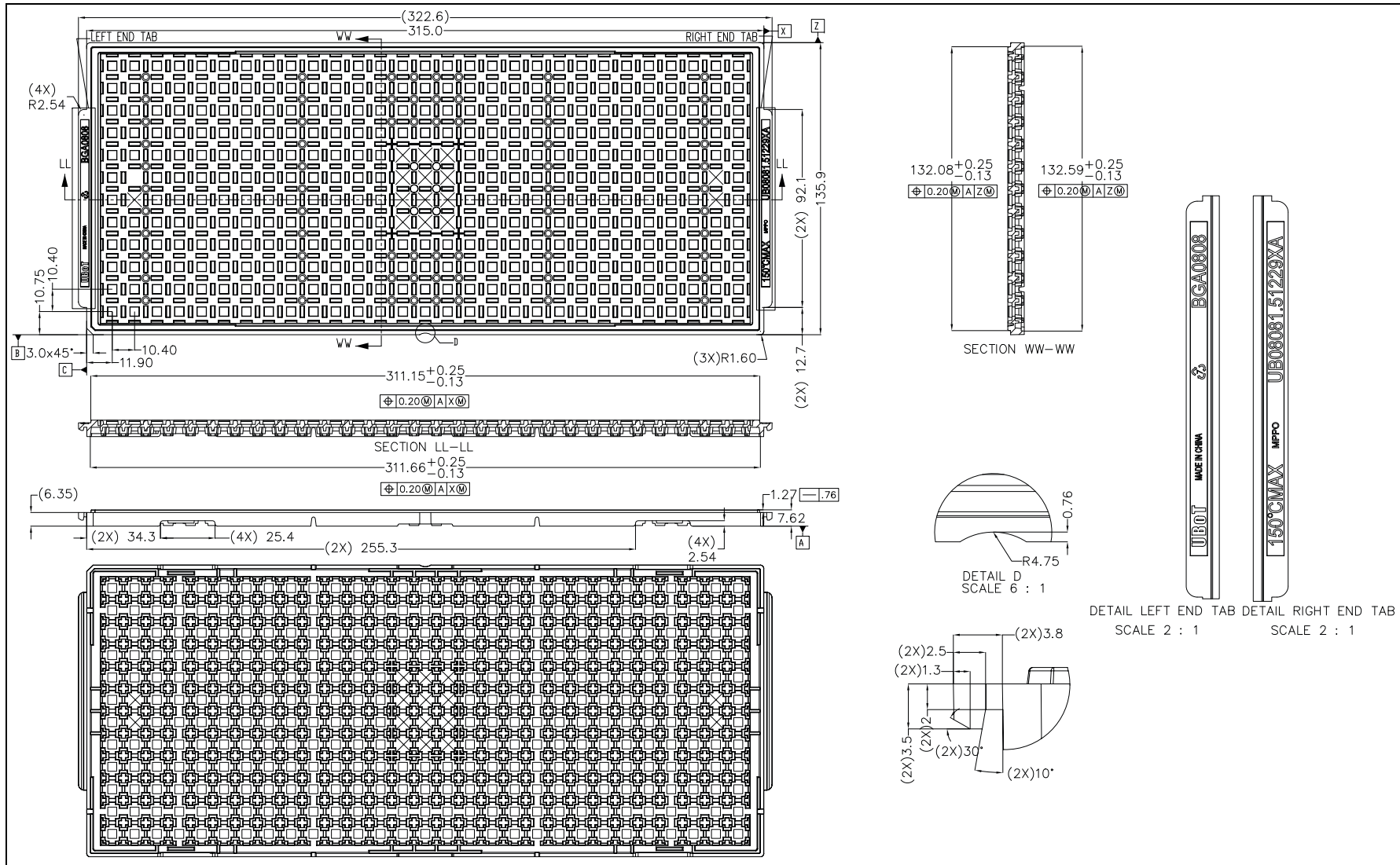
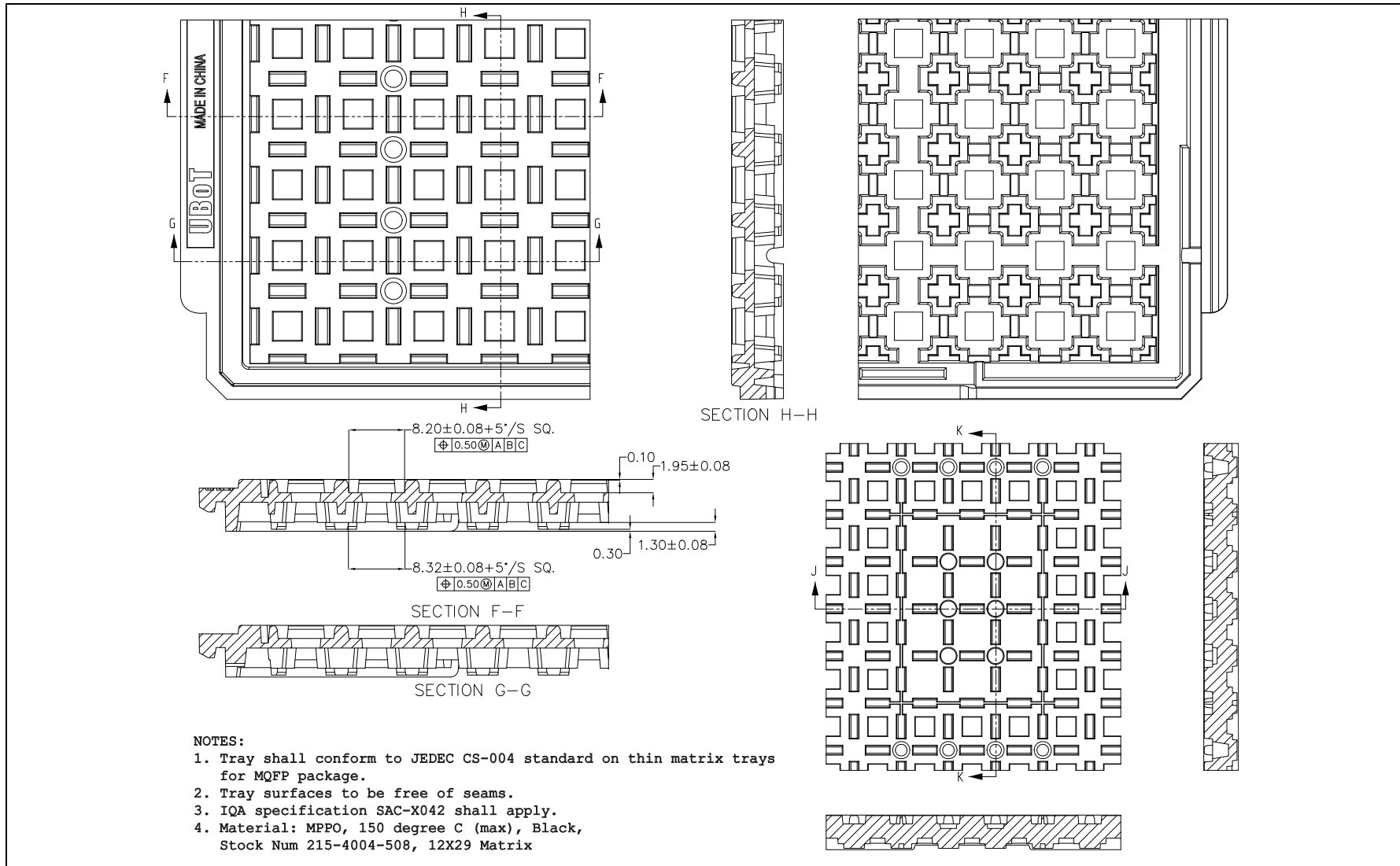


Figure 37. CYW20733 8 × 8 FBGA Package Tray (2 of 2)



5. Ordering Information

Table 46. Ordering Information

| Part Number | Package | Ambient Operating Temperature |
|-----------------|-------------------------|-------------------------------|
| CYW20733A3KFB1G | Commercial 81-pin FBGA | 0°C to 70°C |
| CYW20733A3KFB2G | Commercial 121-pin FBGA | 0°C to 70°C |
| CYW20733A3KML1G | Commercial 56-pin QFN | 0°C to 70°C |

6. IoT Resources

Cypress provides a wealth of data at <http://www.cypress.com/internet-things-iot> to help you to select the right IoT device for your design, and quickly and effectively integrate the device into your design. Cypress provides customer access to a wide range of information, including technical documentation, schematic diagrams, product bill of materials, PCB layout information, and software updates. Customers can acquire technical documentation and software from the Cypress Support Community website (<http://community.cypress.com/>).

A. Acronyms and Abbreviations

The following list of acronyms and abbreviations may appear in this document.

For a more complete list of acronyms and other terms used in Cypress documents, go to:
<http://www.cypress.com/glossary>

| Acronym | Description |
|-------------|----------------------------------------------------------------------------------|
| ADC | analog-to-digital converter |
| AFH | adaptive frequency hopping |
| AHB | advanced high-performance bus |
| APB | advanced peripheral bus |
| APU | audio processing unit |
| ARM7TDMI-S™ | Acorn RISC Machine 7 Thumb instruction, Debugger, Multiplier, Ice, Synthesizable |
| BSC | Broadcom Serial Control |
| BTC | Bluetooth® controller |
| COEX | coexistence |
| DFU | device firmware update |
| DMA | direct memory access |
| EBI | external bus interface |
| HCI | Host Control Interface |
| HV | high voltage |
| IDC | initial digital calibration |
| IF | intermediate frequency |
| IRQ | interrupt request |
| JTAG | Joint Test Action Group |
| LCU | link control unit |
| LDO | low drop-out |
| LHL | lean high land |
| LPO | low power oscillator |
| LV | LogicVision™ |
| MIA | multiple interface agent |
| PCM | pulse code modulation |
| PLL | phase locked loop |
| PMU | power management unit |

| Acronym | Description |
|----------------|---------------------------------------------|
| POR | power-on reset |
| PWM | pulse width modulation |
| QD | quadrature decoder |
| RAM | random access memory |
| RF | radio frequency |
| ROM | read-only memory |
| RX/TX | receive, transmit |
| SPI | serial peripheral interface |
| SW | software |
| UART | universal asynchronous receiver/transmitter |
| UPI | μ-processor interface |
| USB | universal serial bus |
| WD | watchdog |

Document History

| Document Title: CYW20733 Single-Chip Bluetooth Transceiver Wireless Input Devices | | | | |
|-----------------------------------------------------------------------------------|-----|-----------------|-----------------|-----------------------------------------------------------------------------------------------------------------------------------------------------------------------------------------------------------------------------------------------------------------------------------------------------------------------------------------------------------------------------------------------------------------------------------------------------------------------------------------------------------------------------------------------------------------------------------------------------------------------------------------------------------------------------------------------------------------------------------------------------------------------------------------------------------------------------------------------------------|
| Document Number: 002-14859 | | | | |
| Revision | ECN | Orig. of Change | Submission Date | Description of Change |
| ** | – | – | 07/23/2010 | 20733-DS00-R Initial release |
| *A | – | – | 07/20/2010 | Updated: Table 10: “Pin Descriptions,” on page 35 and Table 11: “GPIO Pin Descriptions,” on page 38. Figure 13: “81-Pin FBGA Ball Map,” on page 44. Table 16: “Integrated Audio Amplifier Electrical Specifications,” on page 48. Table 25: “PCM Electrical Timing Slave—Short Frame Sync Characteristics,” on page 57. Table 26: “Values of PCM Electrical Timing Master—Short Frame Sync Characteristics,” on page 58. “PCM Interface Timing” on page 57. “I2S Timing” on page 63. |
| *B | – | – | 08/30/2010 | 20733-DS02-R Updated: “Microprocessor Unit” on page 13: ROM memory capacity. “Link Control Layer” on page 15: Bluetooth Link Controller tasks. “UART Interface” on page 17: normal baud rate mode. “GPIO Port” on page 23. “Theory of Operation” on page 25: mouse decoder PWMs. “ADC Port” on page 26: analog input channels. Table 7: “CYW20733 First SPI Set (Master Mode),” on page 28. Table 11: “Pin Descriptions,” on page 35 and Table 12: “GPIO Pin Descriptions,” on page 37. Figure 13: “81-Pin FBGA Ball Map,” on page 44. Added: “Peripheral UART Interface” on page 19. |
| *C | – | – | 10/25/2010 | 20733-DS03-R Updated: “General Description” and “Features” on page 1 TBD for second package changed to 121-pin, 9 mm x 9 mm FBGA, throughout the document. Table 11: “Pin Descriptions,” on page 39 (added 121-pin info) Table 12: “GPIO Pin Descriptions,” on page 41 (added 121-pin info) Figure 14: “121-Pin FBGA Ball Map,” on page 49 (added) Figure 30: “81-Pin FBGA,” on page 73 Figure 31: “121-Pin FBGA,” on page 74 (121-pin outline drawing, added) Table 38: “CYW20733 8 × 8 × 1.0 mm FBGA TBD Tape Reel Specifications,” on page 75 Table 39: “CYW20733M 9 x 9 x 1.0 mm FBGA TBD Tape Reel Specifications,” on page 75 Figure 33: “CYW20733 9×9 FBGA Package Tray (1 of 2),” on page 77 Figure 35: “CYW20733 8×8 FBGA Package Tray (1 of 2),” on page 79 Table 40: “Ordering Information,” on page 81 |
| *D | – | – | 04/04/2011 | 20733-DS04-R Updated: Figure 1: “Functional Block Diagram,” on page 2 “UART Interface” on page 19 Table 1: “Common Baud Rate Examples,” on page 20 Table 5: “XTAL Oscillator Characteristics,” on page 25 “Port 0–Port 1, Port 8 – Port 18, Port 20 – Port 23, and Port 28 – Port 38” on page 26 Table 6: “Sampling Rate and Effective Number of Bits,” on page 29 Table 12: “GPIO Pin Descriptions,” on page 40 Table 16: “ADC Specifications,” on page 50 Table 19: “Current Consumption, Class 1,” on page 52 Table 20: “Current Consumption, Class 2 (0 dBm),” on page 53 (added) Table 21: “Receiver RF Specifications” on page 54 Table 22: “Transmitter RF Specifications,” on page 55 Section 5: “Ordering Information,” on page 81 |

| Document Title: CYW20733 Single-Chip Bluetooth Transceiver Wireless Input Devices | | | | |
|-----------------------------------------------------------------------------------|---|---|------------|--------------------------------------------------------------------------------------------------------------------------------------------------------------------------------------------------------------------------------------------------------------------------------------------------------------------------------------------------------------------------------------------------------------------------------------------------------------------------------------------------------------------------------------------------------------------------------------------------------------------------------------------------------------------------------------------------------------------------------------------------------------------------------------------------------------------------------------------------------------------------------------------------------------------------------------------------------------------------------------------------------------------------------------------------------|
| Document Number: 002-14859 | | | | |
| *E | - | - | 06/29/2011 | 20733-DS05-R Updated: Figure 1: "Functional Block Diagram," on page 2 "GPIO Port" on page 25 "High Current I/O" on page 34 Table 10: "Pin Descriptions," on page 36 Figure 13: "121-Pin FBGA Ball Map," on page 46 Table 15: "ADC Specifications," on page 48 Table 17: "Current Consumption, Class 1," on page 49 Table 18: "Current Consumption, Class 2 (0 dBm)," on page 51 Added: Table 19: "Current Consumption," on page 52 Removed: "Integrated Filterless Class-D Audio Amplifier," on page 35 Table 16: "Integrated Audio Amplifier Electrical Specifications," on p. 49. |
| *F | - | - | 03/01/2012 | 20733-DS06-R Updated: Table 7: "CYW20733 First SPI Set (Master Mode)," on page 32 Table 10: "Pin Descriptions," on page 38 Table 11: "GPIO Pin Descriptions," on page 41 Table 15: "ADC Specifications," on page 52 Table 17: "Current Consumption, Class 1," on page 53 Table 18: "Current Consumption, Class 2 (0 dBm)," on page 55 Notes in Table 20 on page 57 and Table 21 on page 59 Table 23: "Values of SPI1 Timing Characteristics," on page 61 Table 39: "CYW20733 8 x 8 x 1.0 mm FBGA 81-Pin Tape Reel Specifications," on page 80 Table 40: "CYW20733 9 x 9 x 1.0 mm FBGA 121-Pin Tape Reel Specifications," on page 80 Added: Information related to the 56-pin QFN package on page 1 "56-Pin QFN Diagram" on page 50 Table 24: "Values of SPI2 Timing Characteristics," on page 62 Figure 32: "56-Pin QFN," on page 79 Table 41: "CYW20733 7 x 7 x 1.0 mm QFN 56-Pin Tape Reel Specifications," on page 80 Figure 33: "CYW20733 Reel/Labeling/Packaging Specification," on page 81 |
| *G | - | - | 03/19/2012 | 20733-DS07-R Updated: Notes in Table 23: "Values of SPI1 Timing Characteristics," on page 65 and Table 24: "Values of SPI2 Timing Characteristics," on page 66 |
| *H | - | - | 05/18/2012 | 20733-DS08-R Updated: Table 8: "CYW20733 Second SPI Set (Master Mode)," on page 33. Table 9: "CYW20733 Second SPI Set (Slave Mode)," on page 34. |
| *I | - | - | 06/08/2012 | 20733-DS09-R Updated: Bluetooth HID profile version 1.0 to 1.1 on the cover page. "Calibration" on page 15. "Triac Control" on page 38. "Cypress Proprietary Control Signalling and Triggered Broadcom Fast Connect" on page 38. Table 15: "ADC Specifications," on page 56 by fixing the Conditions for the Reference settling time and Input resistance parameters. Table 20: "Receiver RF Specifications" on page 59 by updating Df to uf in the inter-modulation performance row. "SPI Timing" on page 63. |
| *J | - | - | 08/30/2012 | 20733-DS10-R Updated: Table 43: "Ordering Information," on page 89. |
| *K | - | - | 10/01/2012 | 20733-DS11-R Updated: Cover page features to include Class-D audio amplifier. Figure 1: "Functional Block Diagram," on page 2 by adding Class-D audio driver. Table 11: "Pin Descriptions," on page 43. Figure 14: "56-Pin QFN Diagram," on page 55. Added: "Integrated Filterless Class-D Audio Amplifier" on page 40. Table 17: "Integrated Audio Amplifier Electrical Specifications," on page 58 |

| Document Title: CYW20733 Single-Chip Bluetooth Transceiver Wireless Input Devices | | | | |
|-----------------------------------------------------------------------------------|---------|----------|------------|-----------------------------------------------------------------------------------------------------------------------------------------------------------|
| Document Number: 002-14859 | | | | |
| *L | - | - | 11/26/2012 | 20733-DS12-R Updated: Table 17: "Integrated Audio Amplifier Electrical Specifications," on page 58. Table 21: "Current Consumption," on page 61. |
| *M | - | - | 01/21/2013 | 20733-DS13-R Updated: Table 12: "GPIO Pin Descriptions," on page 46. |
| *N | - | - | 05/31/2013 | 20733-DS14-R Updated: Table 45: "Ordering Information," on page 91. |
| *O | - | - | 08/12/2013 | 20733-DS15-R Updated: Table 21: "Current Consumption," on page 62. |
| *P | - | - | 09/25/2013 | 20733-DS16-R Updated: Table 4: "Reference Crystal Electrical Specifications," on page 26. |
| *Q | - | - | 07/10/2015 | 20733-DS17-R Updated document status. |
| *R | 5487130 | UTSV | 10/21/2016 | Updated to Cypress Template Added Cypress part numbering scheme |
| *S | 5962319 | AESATMP9 | 11/09/2017 | Updated logo and copyright. |

Sales, Solutions, and Legal Information

Worldwide Sales and Design Support

Cypress maintains a worldwide network of offices, solution centers, manufacturer's representatives, and distributors. To find the office closest to you, visit us at [Cypress Locations](#).

Products

| | |
|-------------------------------------------------------|--------------------------------------------------------------------|
| ARM [®] Cortex [®] Microcontrollers | cypress.com/arm |
| Automotive | cypress.com/automotive |
| Clocks & Buffers | cypress.com/clocks |
| Interface | cypress.com/interface |
| Internet of Things | cypress.com/iot |
| Memory | cypress.com/memory |
| Microcontrollers | cypress.com/mcu |
| PSoC | cypress.com/psoc |
| Power Management ICs | cypress.com/pmic |
| Touch Sensing | cypress.com/touch |
| USB Controllers | cypress.com/usb |
| Wireless Connectivity | cypress.com/wireless |

PSoC[®] Solutions

[PSoC 1](#) | [PSoC 3](#) | [PSoC 4](#) | [PSoC 5LP](#) | [PSoC 6](#)

Cypress Developer Community

[Forums](#) | [WICED IoT Forums](#) | [Projects](#) | [Video](#) | [Blogs](#) | [Training](#) | [Components](#)

Technical Support

cypress.com/support

© Cypress Semiconductor Corporation, 2010-2017. This document is the property of Cypress Semiconductor Corporation and its subsidiaries, including Spansion LLC ("Cypress"). This document, including any software or firmware included or referenced in this document ("Software"), is owned by Cypress under the intellectual property laws and treaties of the United States and other countries worldwide. Cypress reserves all rights under such laws and treaties and does not, except as specifically stated in this paragraph, grant any license under its patents, copyrights, trademarks, or other intellectual property rights. If the Software is not accompanied by a license agreement and you do not otherwise have a written agreement with Cypress governing the use of the Software, then Cypress hereby grants you a personal, non-exclusive, nontransferable license (without the right to sublicense) (1) under its copyright rights in the Software (a) for Software provided in source code form, to modify and reproduce the Software solely for use with Cypress hardware products, only internally within your organization, and (b) to distribute the Software in binary code form externally to end users (either directly or indirectly through resellers and distributors), solely for use on Cypress hardware product units, and (2) under those claims of Cypress's patents that are infringed by the Software (as provided by Cypress, unmodified) to make, use, distribute, and import the Software solely for use with Cypress hardware products. Any other use, reproduction, modification, translation, or compilation of the Software is prohibited.

TO THE EXTENT PERMITTED BY APPLICABLE LAW, CYPRESS MAKES NO WARRANTY OF ANY KIND, EXPRESS OR IMPLIED, WITH REGARD TO THIS DOCUMENT OR ANY SOFTWARE OR ACCOMPANYING HARDWARE, INCLUDING, BUT NOT LIMITED TO, THE IMPLIED WARRANTIES OF MERCHANTABILITY AND FITNESS FOR A PARTICULAR PURPOSE. To the extent permitted by applicable law, Cypress reserves the right to make changes to this document without further notice. Cypress does not assume any liability arising out of the application or use of any product or circuit described in this document. Any information provided in this document, including any sample design information or programming code, is provided only for reference purposes. It is the responsibility of the user of this document to properly design, program, and test the functionality and safety of any application made of this information and any resulting product. Cypress products are not designed, intended, or authorized for use as critical components in systems designed or intended for the operation of weapons, weapons systems, nuclear installations, life-support devices or systems, other medical devices or systems (including resuscitation equipment and surgical implants), pollution control or hazardous substances management, or other uses where the failure of the device or system could cause personal injury, death, or property damage ("Unintended Uses"). A critical component is any component of a device or system whose failure to perform can be reasonably expected to cause the failure of the device or system, or to affect its safety or effectiveness. Cypress is not liable, in whole or in part, and you shall and hereby do release Cypress from any claim, damage, or other liability arising from or related to all Unintended Uses of Cypress products. You shall indemnify and hold Cypress harmless from and against all claims, costs, damages, and other liabilities, including claims for personal injury or death, arising from or related to any Unintended Uses of Cypress products.

Cypress, the Cypress logo, Spansion, the Spansion logo, and combinations thereof, WICED, PSoC, CapSense, EZ-USB, F-RAM, and Traveo are trademarks or registered trademarks of Cypress in the United States and other countries. For a more complete list of Cypress trademarks, visit cypress.com. Other names and brands may be claimed as property of their respective owners.



Стандарт Электрон Связь

Мы молодая и активно развивающаяся компания в области поставок электронных компонентов. Мы поставляем электронные компоненты отечественного и импортного производства напрямую от производителей и с крупнейших складов мира.

Благодаря сотрудничеству с мировыми поставщиками мы осуществляем комплексные и плановые поставки широчайшего спектра электронных компонентов.

Собственная эффективная логистика и склад в обеспечивает надежную поставку продукции в точно указанные сроки по всей России.

Мы осуществляем техническую поддержку нашим клиентам и предпродажную проверку качества продукции. На все поставляемые продукты мы предоставляем гарантию .

Осуществляем поставки продукции под контролем ВП МО РФ на предприятия военно-промышленного комплекса России , а также работаем в рамках 275 ФЗ с открытием отдельных счетов в уполномоченном банке. Система менеджмента качества компании соответствует требованиям ГОСТ ISO 9001.

Минимальные сроки поставки, гибкие цены, неограниченный ассортимент и индивидуальный подход к клиентам являются основой для выстраивания долгосрочного и эффективного сотрудничества с предприятиями радиоэлектронной промышленности, предприятиями ВПК и научно-исследовательскими институтами России.

С нами вы становитесь еще успешнее!

Наши контакты:

Телефон: +7 812 627 14 35

Электронная почта: sales@st-electron.ru

Адрес: 198099, Санкт-Петербург,
Промышленная ул, дом № 19, литера Н,
помещение 100-Н Офис 331