

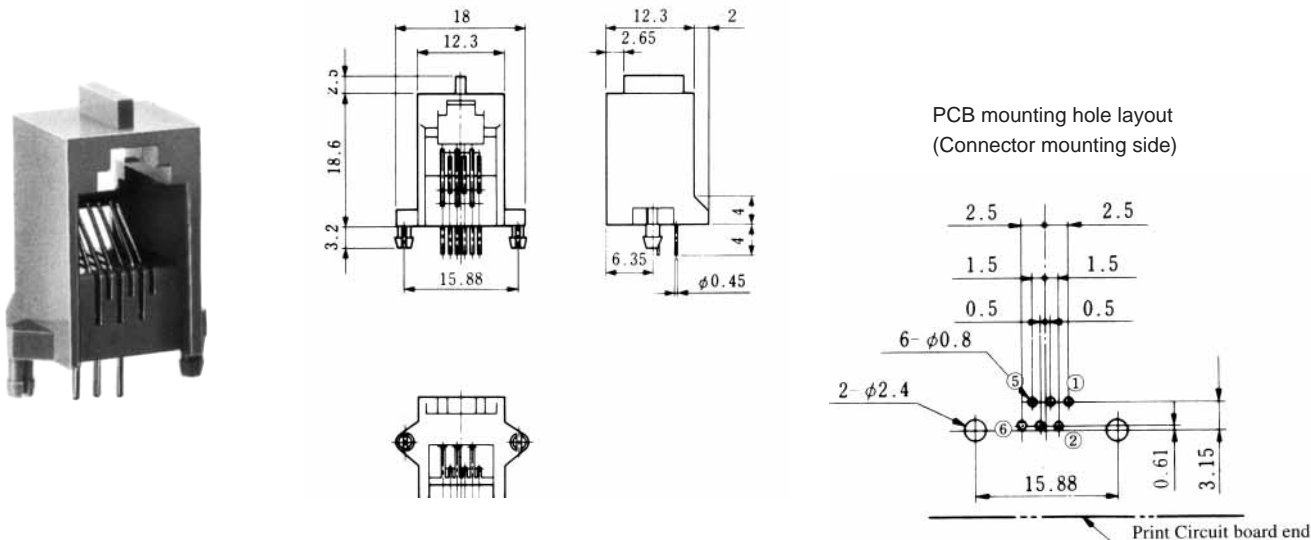
MODULAR CONNECTORS

CL 222 TM

Right Angle Dip Type

TM5RC-*(50)

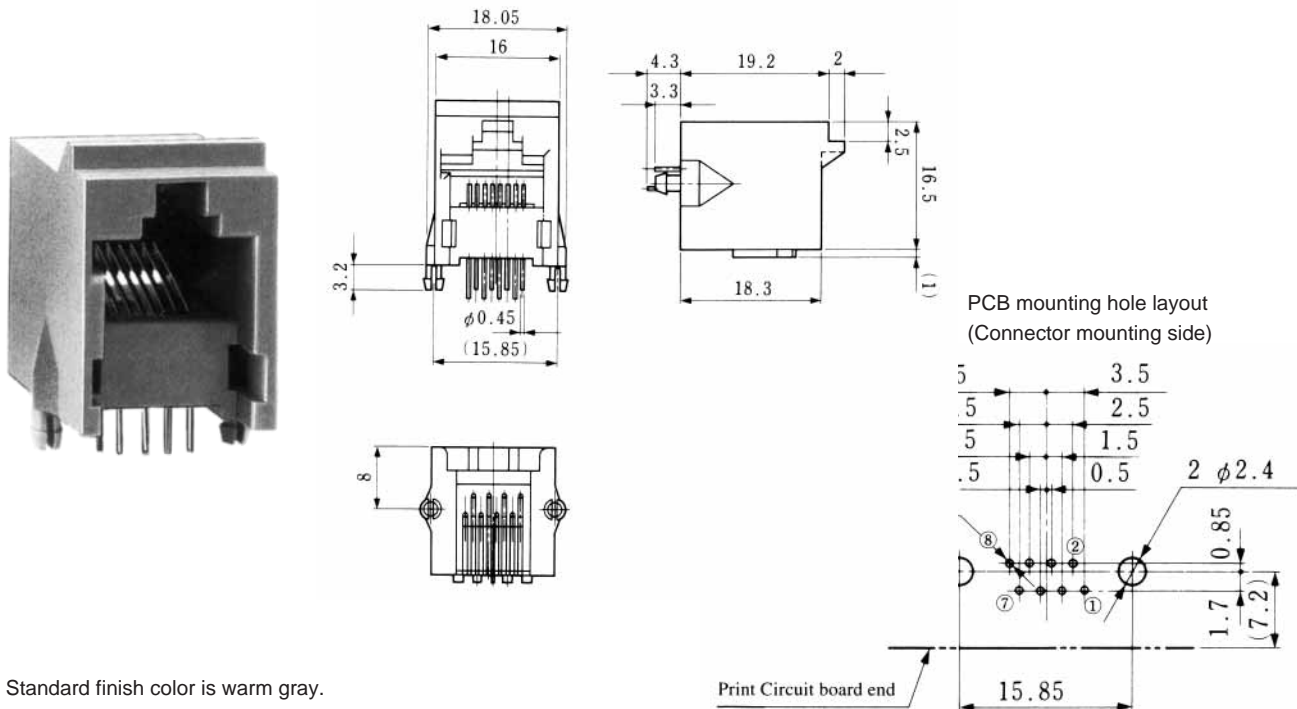
CL No.	Part No.	RoHS
222-0270-9-50	TM5RC-44(50)	YES
222-0338-0-50	TM5RC-64(50)	
222-0337-8-50	TM5RC-66(50)	



Note 1: Standard finish color is gray.
 Note 2: The drawing is shown sample of TM5RC-66(50).

TM5RC-88(50)

CL No.	Part No.	RoHS
222-0339-3-50	TM5RC-88(50)	YES



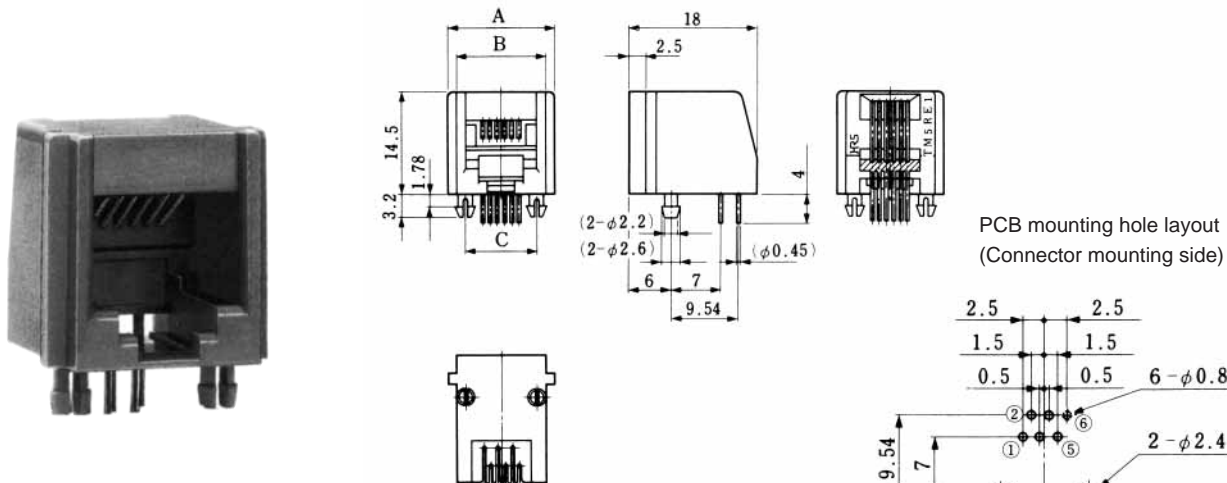
Note : Standard finish color is warm gray.

MODULAR CONNECTORS

CL 222 TM

TM5RE1- *(20)

CL No.	Part No.	A	B	C	RoHS
222-0538-0-20	TM5RE1-44(20)	13	10.4	8	YES
222-0539-2-20	TM5RE1-62(20)	15	12.4	10	
222-0540-1-20	TM5RE1-64(20)	15	12.4	10	
222-0541-4-20	TM5RE1-66(20)	15	12.4	10	

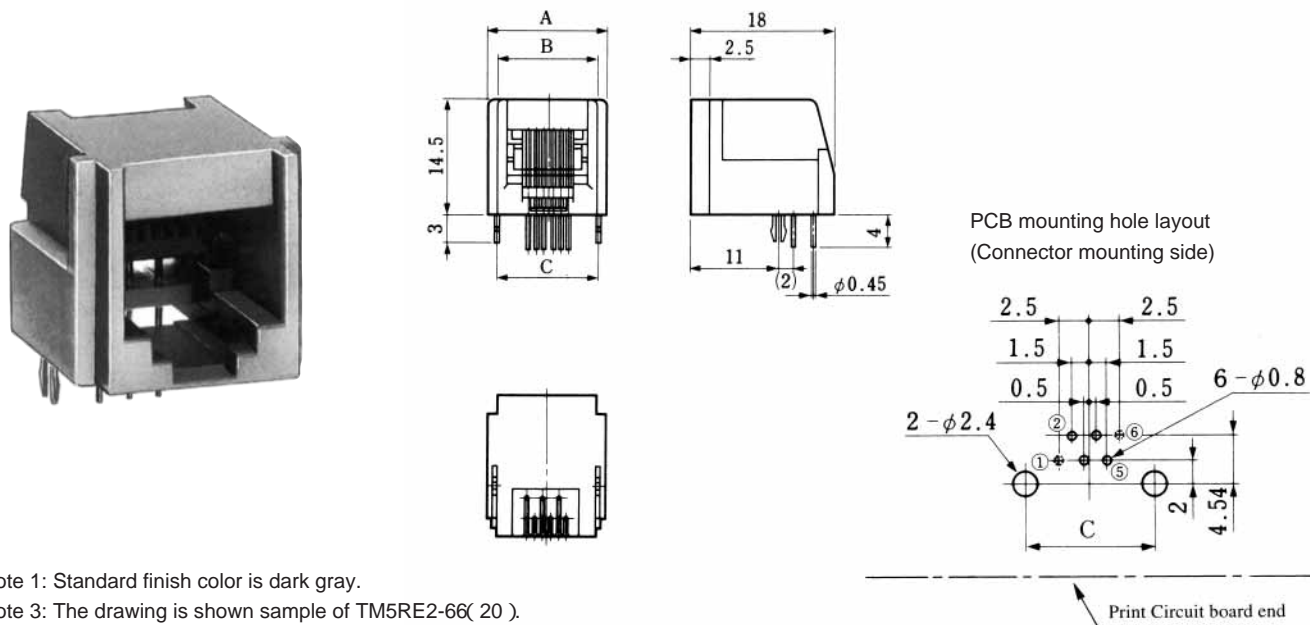


Note 1: Standard finish color is dark gray.

Note 2: The drawing is shown sample of TM5RE1-66(20).

TM5RE2- *(20)

CL No.	Part No.	A	B	C	RoHS
222-1222-1-20	TM5RE2-44(20)	13	10.4	10.8	YES
222-1224-7-20	TM5RE2-62(20)	15	12.4	12.8	
222-1223-4-20	TM5RE2-64(20)	15	12.4	12.8	
222-1225-0-20	TM5RE2-66(20)	15	12.4	12.8	



Note 1: Standard finish color is dark gray.

Note 3: The drawing is shown sample of TM5RE2-66(20).

MODULAR CONNECTORS

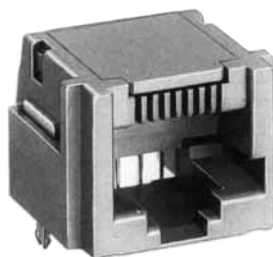
CL 222 TM

TM5RE3-*(20)

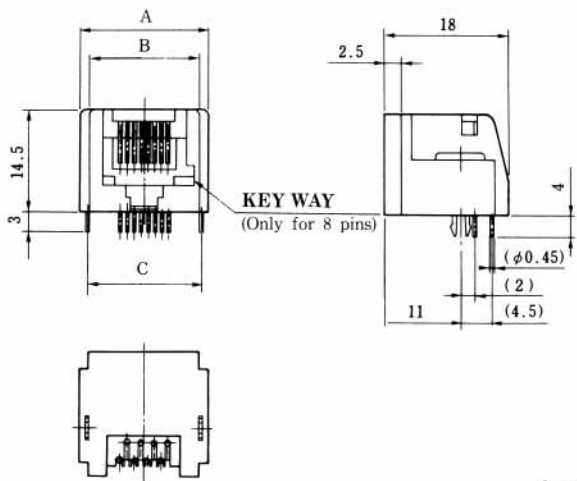
CL No.	Part No.	A	B	C	RoHS
222-1406-4-20	TM5RE3-44(20)	13	10.4	10.8	YES
222-1407-7-20	TM5RE3-62(20)	15	12.4	12.8	
222-1427-4-20	TM5RE3-64(20)	15	12.4	12.8	
222-1428-7-20	TM5RE3-66(20)	15	12.4	12.8	
222-1702-7-20	TM5RE3-88(20)	18.6	16	16.4	



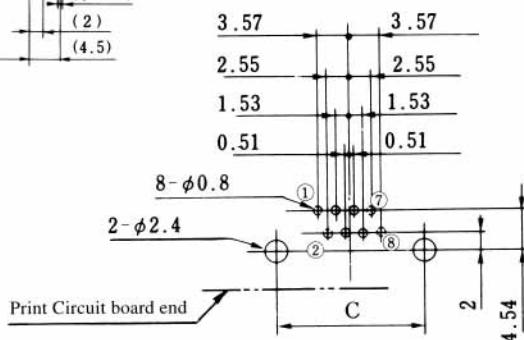
TM5RE3-66(20)



TM5RE3-88(20)

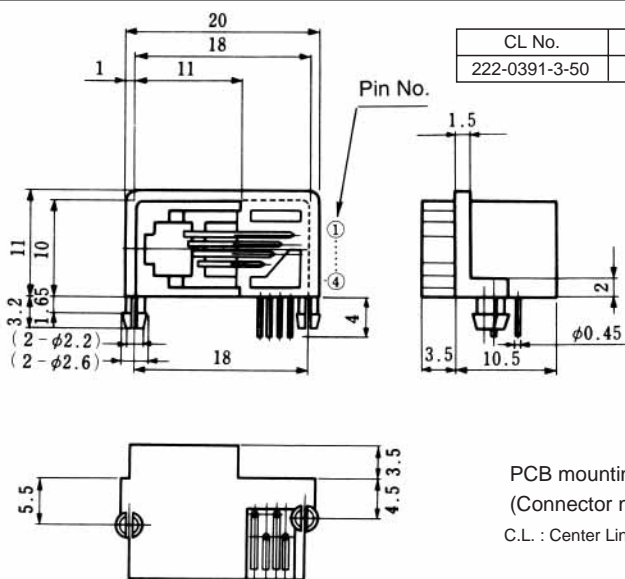
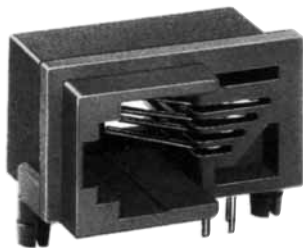


PCB mounting hole layout
(Connector mounting side)



Note 1: Standard finish color is dark gray.
 Note 2: The drawing is shown sample of TM5RE3-88(20).

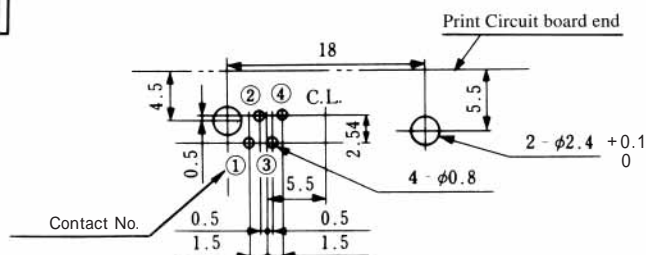
TM5RF-44(50)



CL No.	Part No.	RoHS
222-0391-3-50	TM5RF-44(50)	YES

PCB mounting hole layout
(Connector mounting side)

C.L. : Center Line

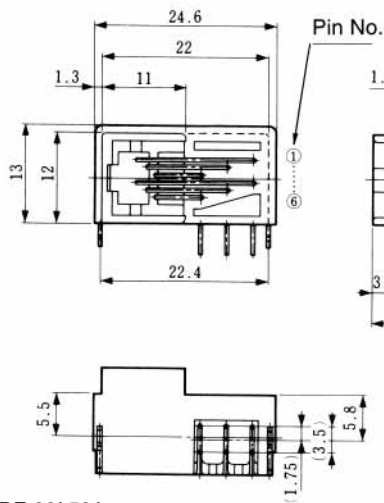
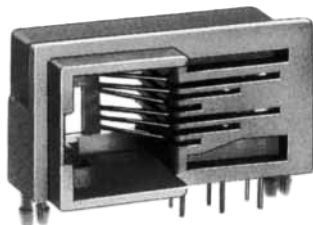


Note 1: Standard finish color is gray.
 Note 2: Backboard size is shown the connector mounting side of PCB.

MODULAR CONNECTORS

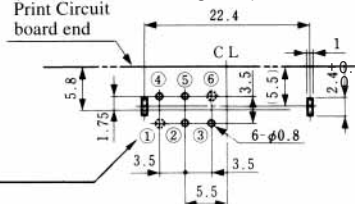
CL 222 TM

TM5RF-6 *(50)



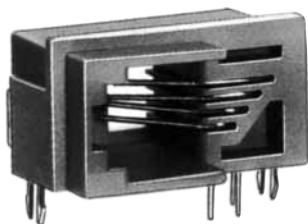
CL No.	Part No.	RoHS
222-1452-1-50	TM5RF-64(50)	YES
222-1411-4-50	TM5RF-66(50)	

PCB mounting hole layout
(Connector mounting side)

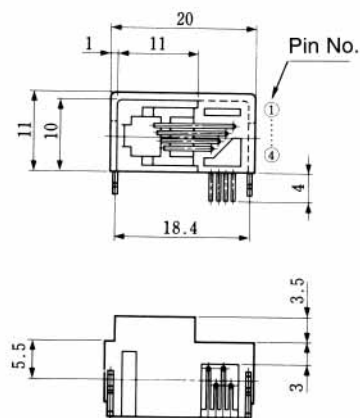


Note 1: Standard finish color is dark gray.
 Note 2: The drawing is shown sample of TM5RF-66(50).

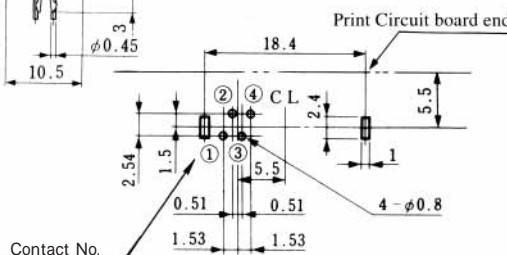
TM5RF-1-44(50)



CL No.	Part No.	RoHS
222-1242-9-50	TM5RF1-44(50)	YES

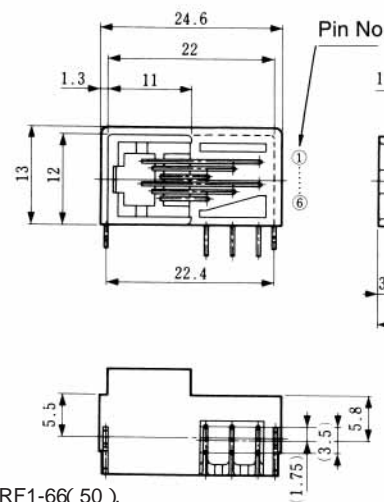
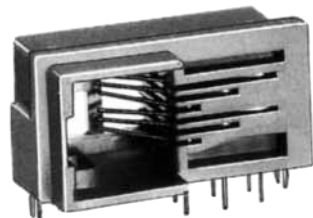


PCB mounting hole layout
(Connector mounting side)



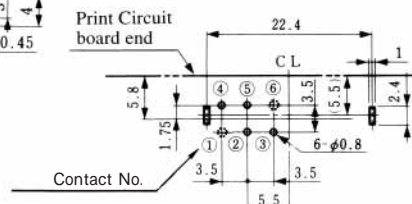
Note 1: Standard finish color is dark gray.

TM5RF-1-6 *(50)



CL No.	Part No.	RoHS
222-1533-1-50	TM5RF1-64(50)	YES
222-1534-4-50	TM5RF1-66(50)	

PCB mounting hole layout
(Connector mounting side)



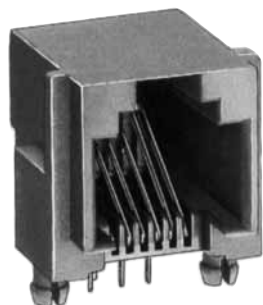
Note 1: Standard finish color is dark gray.
 Note 2: The drawing is shown sample of TM5RF1-66(50).

MODULAR CONNECTORS

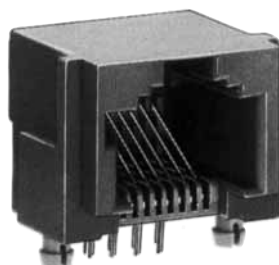
CL 222 TM

TM5RJ2- ** (50)

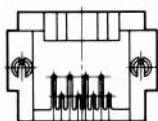
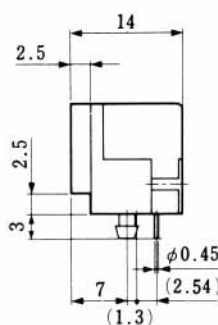
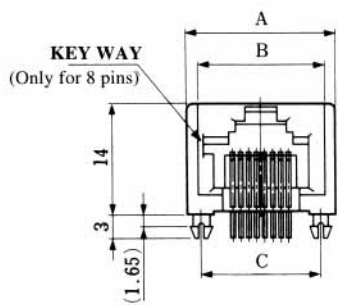
CL No.	Part No.	A	B	C	RoHS
222-1459-0-50	TM5RJ2-44(50)	12.8	10.2	10	YES
222-1486-3-50	TM5RJ2-62(50)	14.8	12.2	12	
222-1460-0-50	TM5RJ2-64(50)	14.8	12.2	12	
222-1461-2-50	TM5RJ2-66(50)	14.8	12.2	12	
222-1462-5-50	TM5RJ2-88(50)	18.6	16	15	



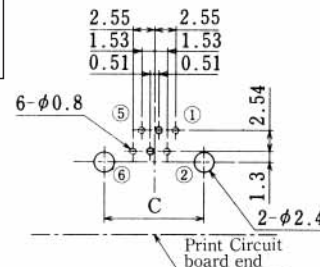
TM5RJ2-66(50)



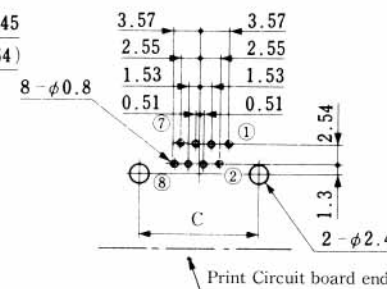
TM5RJ2-88(50)



PCB mounting hole layout
(Connector mounting side)



TM5RJ2-44,6 *



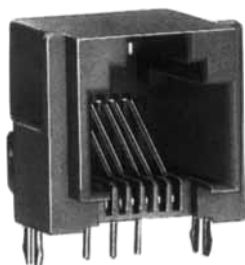
TM5RJ2-88(50)

Note 1: Standard finish color is gray.

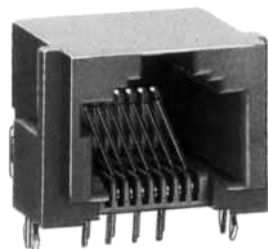
Note 2: The drawing is shown sample of TM5RJ2-88(50).

TM5RJ3- ** (50)

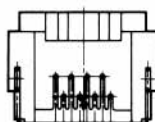
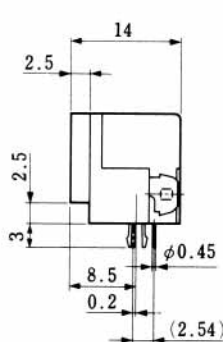
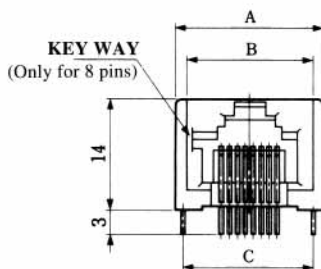
CL No.	Part No.	A	B	C	RoHS
222-1363-3-50	TM5RJ3-44(50)	12.8	10.2	10.76	YES
222-1487-6-50	TM5RJ3-62(50)	14.8	12.2	12.8	
222-1463-8-50	TM5RJ3-64(50)	14.8	12.2	12.8	
222-1464-0-50	TM5RJ3-66(50)	14.8	12.2	12.8	
222-1465-3-50	TM5RJ3-88(50)	18.6	16	16.6	



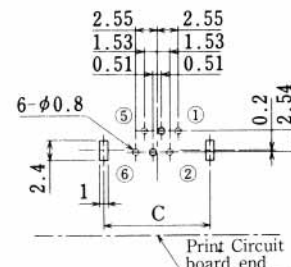
TM5RJ3-66(50)



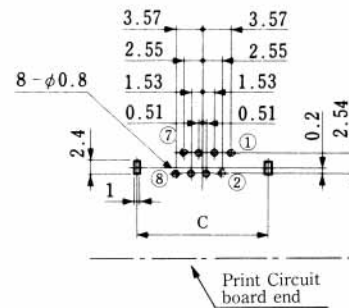
TM5RJ3-88(50)



PCB mounting hole layout
(Connector mounting side)



TM5RJ3-44, 6 *



TM5RJ3-88(50)

Note 1: Standard finish color is gray.

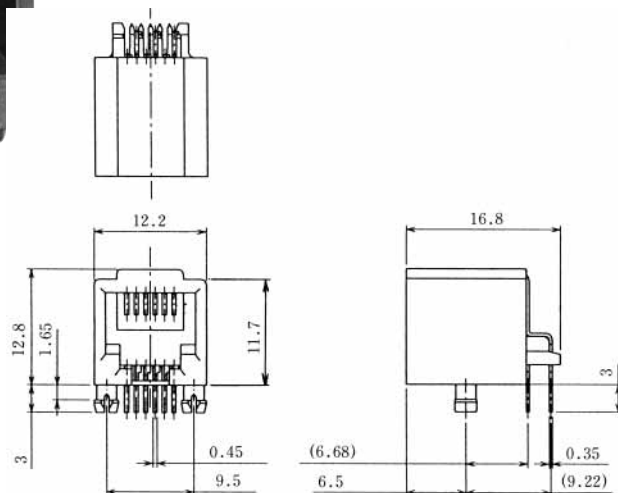
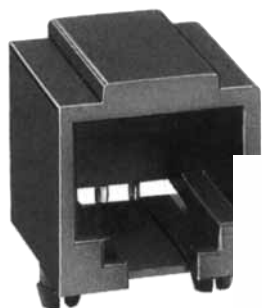
Note 2: The drawing is shown sample of TM5RJ3-88(50).

MODULAR CONNECTORS

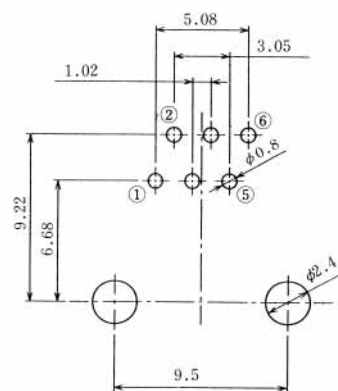
CL 222 TM

TM5RU-6 *(50)

CL No.	Part No.	RoHS
222-2639-8-50	TM5RU-62(50)	YES
222-2638-5-50	TM5RU-64(50)	
222-2630-3-50	TM5RU-66(50)	



PCB mounting hole layout
(Connector mounting side)



Note 1: Standard finish color is black.

Note 2: The drawing is shown sample of TM5RU-66(50).

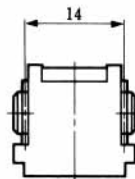
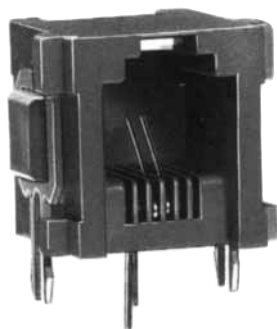
MODULAR CONNECTORS

CL 222 TM

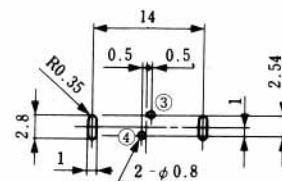
Gang-Jacks Right Angle Dip Type

TM2REA-06 * *(50)

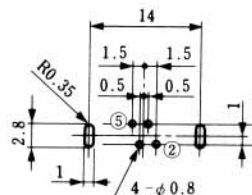
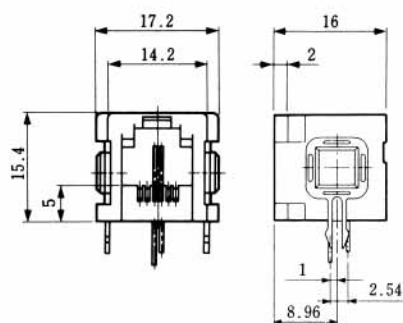
CL No.	Part No.	RoHS
222-1277-3-50	TM2REA-0602(50)	YES
222-1466-6-50	TM2REA-0604(50)	
222-1467-9-50	TM2REA-0606(50)	



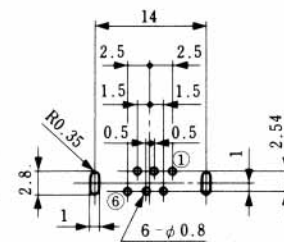
PCB mounting hole layout
(Connector mounting side)



TM2REA-0602(50)



TM2REA-0604(50)



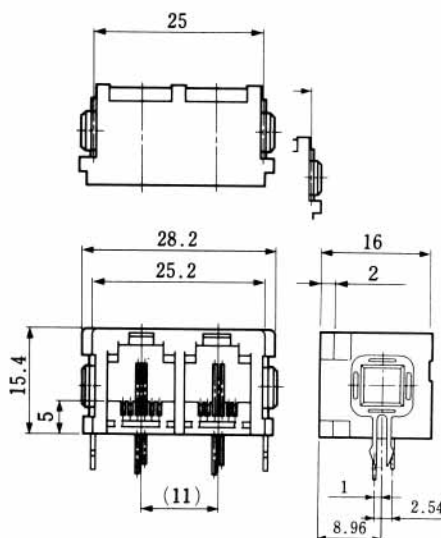
TM2REA-0606(50)

Note 1: Standard finish color is gray.

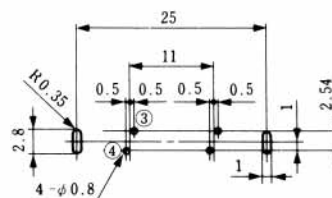
Note 2: The drawing is shown sample of TM2REA-0602(50).

TM2REA-12 * *(50)

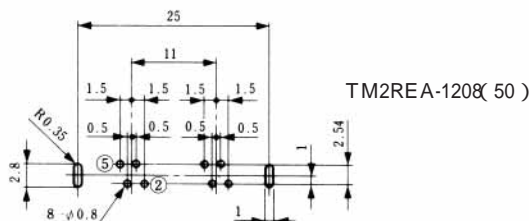
CL No.	Part No.	RoHS
222-0802-6-50	TM2REA-1204(50)	YES
222-0799-3-50	TM2REA-1208(50)	
222-0681-3-50	TM2REA-1212(50)	



PCB mounting hole layout
(Connector mounting side)

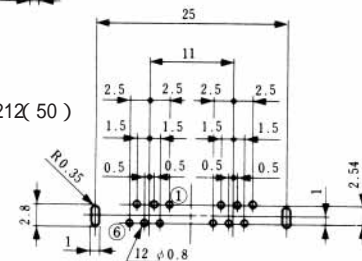


TM2REA-1204(50)



TM2REA-1208(50)

TM2REA-1212(50)



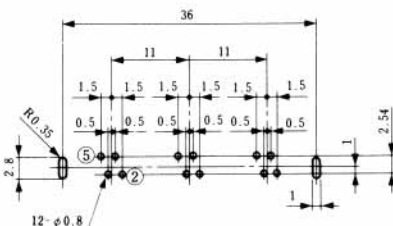
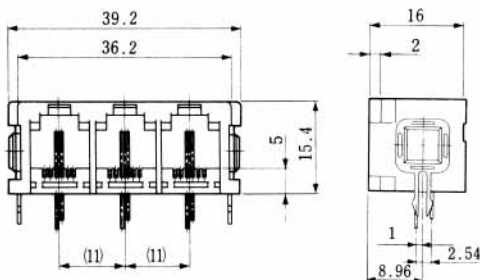
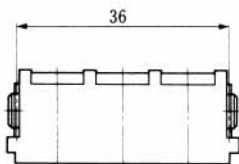
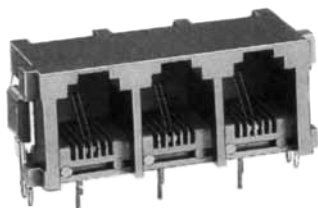
Note 1: Standard finish color is gray.

Note 2: The drawing is shown sample of TM2REA-1204(50).

MODULAR CONNECTORS

CL 222 TM

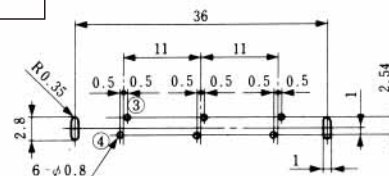
TM2REA-18 ** (50)



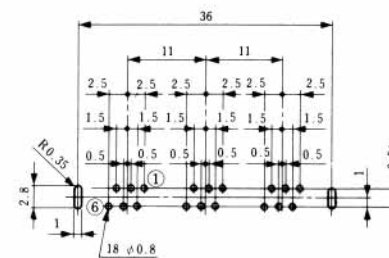
TM2REA-1812(50)

CL No.	Part No.	RoHS
222-0801-3-50	TM2REA-1806(50)	YES
222-0798-0-50	TM2REA-1812(50)	
222-0737-6-50	TM2REA-1818(50)	

PCB mounting hole layout
(Connector mounting side)



TM2REA-1806(50)

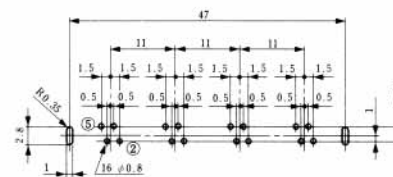
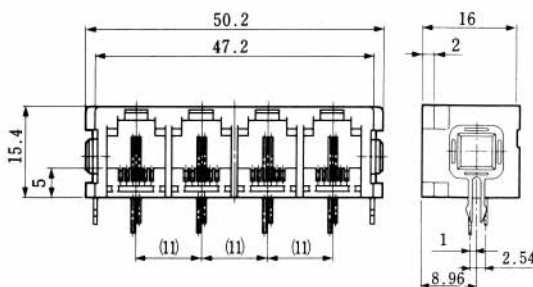
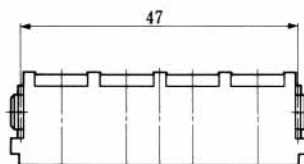
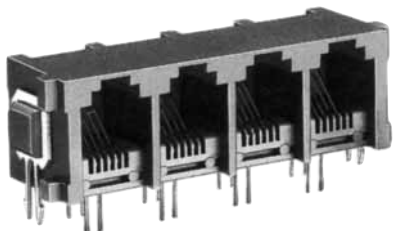


TM2REA-1818(50)

Note 1: Standard finish color is gray.

Note 2: The drawing is shown sample of TM2REA-1806(50).

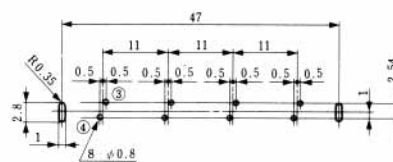
TM2REA-24 ** (50)



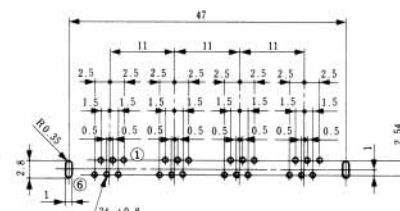
TM2REA-2416(50)

CL No.	Part No.	RoHS
222-0800-0-50	TM2REA-2408(50)	YES
222-0749-5-50	TM2REA-2416(50)	
222-0750-4-50	TM2REA-2424(50)	

PCB mounting hole layout
(Connector mounting side)



TM2REA-2408(50)



TM2REA-2424(50)

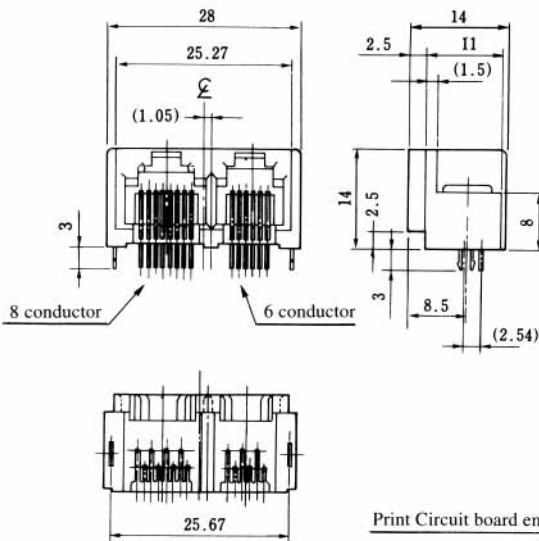
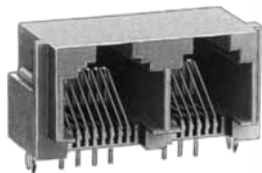
Note 1: Standard finish color is gray.

Note 2: The drawing is shown sample of TM2REA-2416(50).

MODULAR CONNECTORS

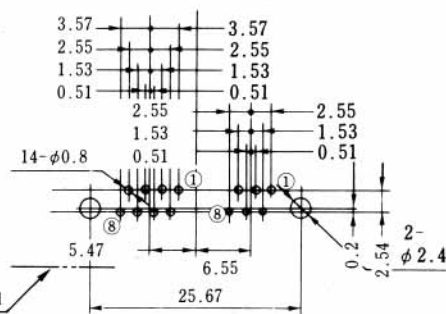
CL 222 TM

TM5RQ-1414(50)



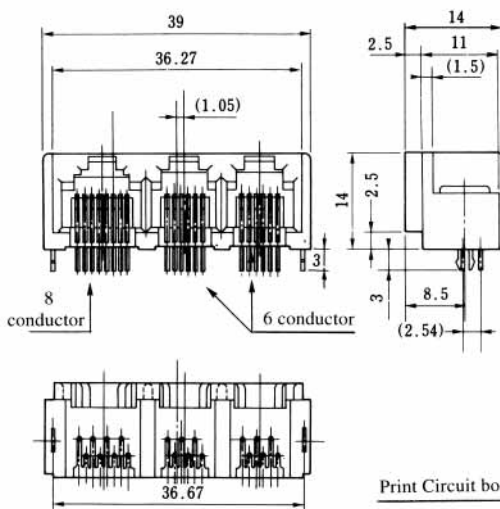
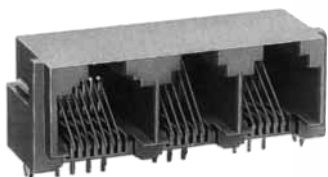
CL No.	Part No.	RoHS
222-1504-3-50	TM5RQ-1414(50)	YES

PCB mounting hole layout
(Connector mounting side)



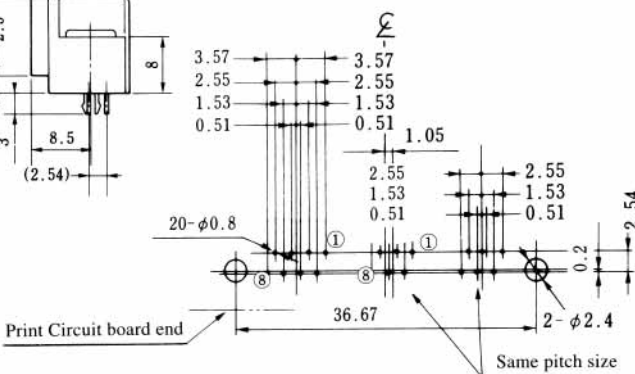
Note : Standard finish color is gray.

TM5RQ-2020(50)



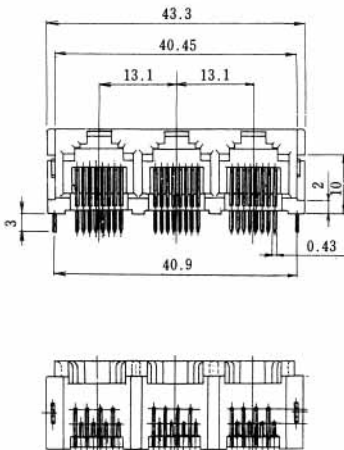
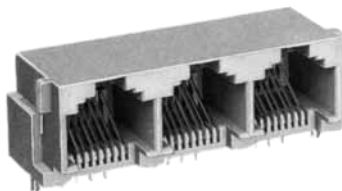
CL No.	Part No.	RoHS
222-1645-5-50	TM5RQ-2020(50)	YES

PCB mounting hole layout
(Connector mounting side)

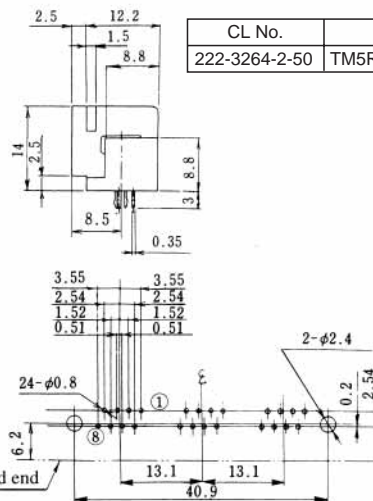


Note : Standard finish color is gray.

TM5RSA-2424(50)



CL No.	Part No.	RoHS
222-3264-2-50	TM5RSA-2424(50)	YES



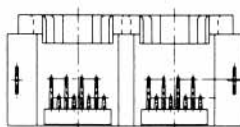
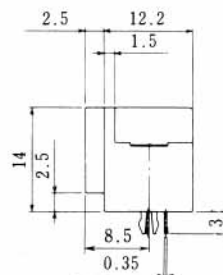
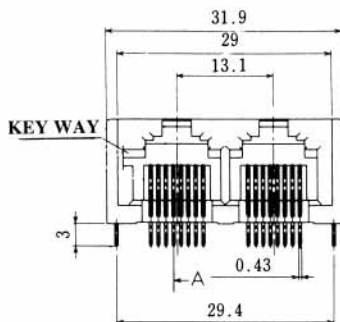
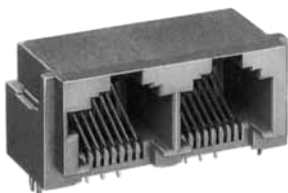
Note : Standard finish color is gray.

PCB mounting hole layout (Connector mounting side)

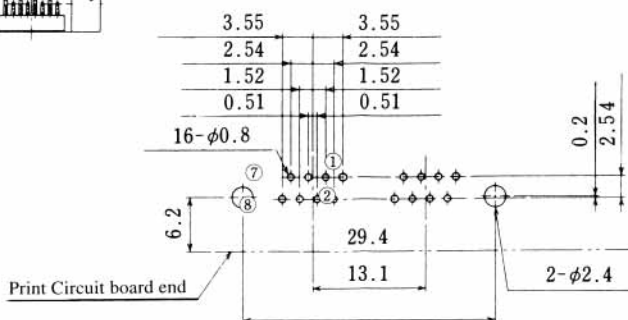
MODULAR CONNECTORS

CL 222 TM

TM5RSB-1616(50)



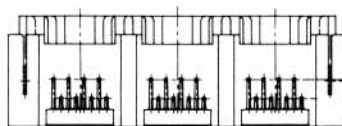
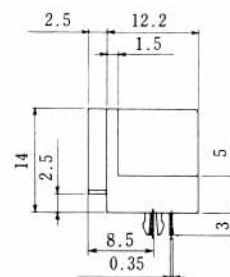
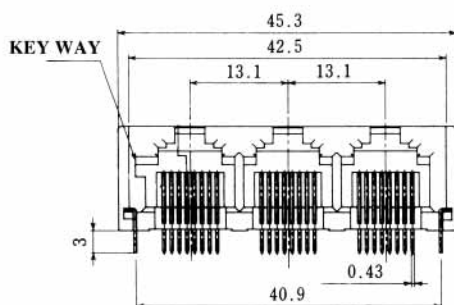
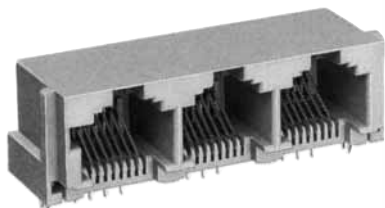
PCB mounting hole layout
(Connector mounting side)



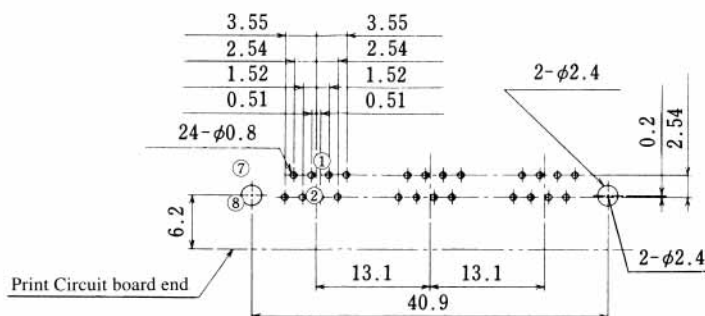
CL No.	Part No.	RoHS
222-3712-1-50	TM5RSB-1616(50)	YES

Note : Standard finish color is gray.

TM5RSB-2424(50)



PCB mounting hole layout
(Connector mounting side)



CL No.	Part No.	RoHS
222-3423-4-50	TM5RSB-2424(50)	YES

Note : Standard finish color is gray.

MODULAR CONNECTORS

CL 222 TM

EIGHT-CONDUCTOR LOW PROFILE JACKS

GENERAL

The TM5RL Series are small 8-contact modular connectors designed to be 11.7 mm in height and 23% smaller in volume than our former models to meet the demand for smaller and thinner electronic equipment.

FEATURES

- (1) 11.7 mm in height above PCB surface (shielded jacks: 11.9 mm)
- (2) 23% smaller in volume than our former models
- (3) Space-saving: 14 mm (14.6 mm) in width and 17 mm (7.6 mm) in depth. (): shielded jacks
- (4) EMI-protected ferrite and shielded jacks available.
- (5) Ferrite and shielded jacks use the same connector body as standard jacks, requiring no change in the PCB for redesigning. (When you plan to redesign a standard PCB to a shielded PCB, select the shielding pattern in advance).
- (6) A quadruple jack is equal to or smaller in size than four TM5RL-88 jacks combined.
- (7) Plugs and jack connectors comply with the ISO 8877 Standard (ISDN interface connector).

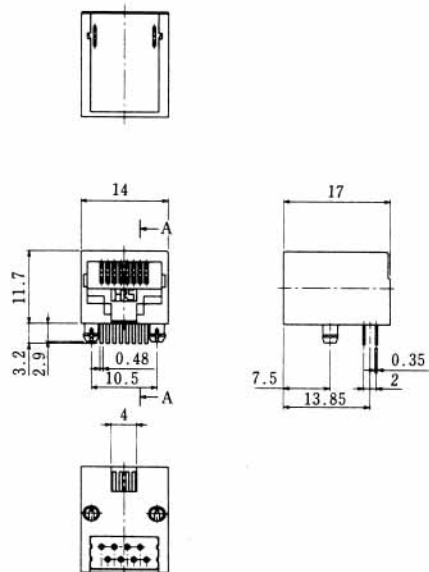
APPLICATIONS

LAN boards, HUB, ISDN terminals, and personal computers.

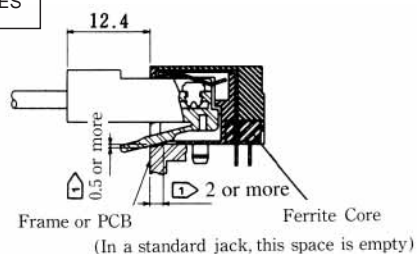
RIGHT-ANGLE DIP TYPE

TM5RL *-88(50)

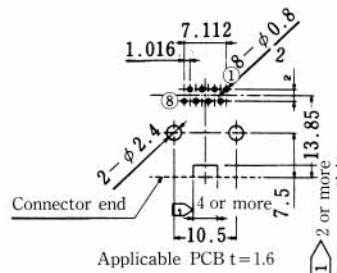
CL No.	Part No.	Type	RoHS
222-2665-8-50	TM5RL-88(50)	Standard	YES
222-2666-0-50	TM5RLF-88(50)	With ferrite core	



View of mating plug
A-A



Reference mounting dimensions
(PCB component side)



Note : When preparing frames or PCBs, follow the above \square dimensions.

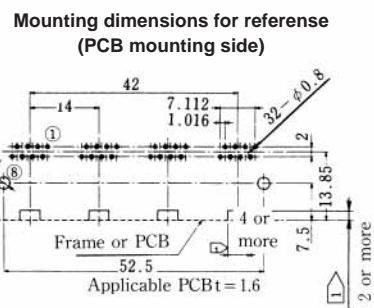
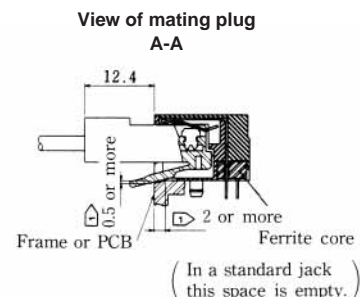
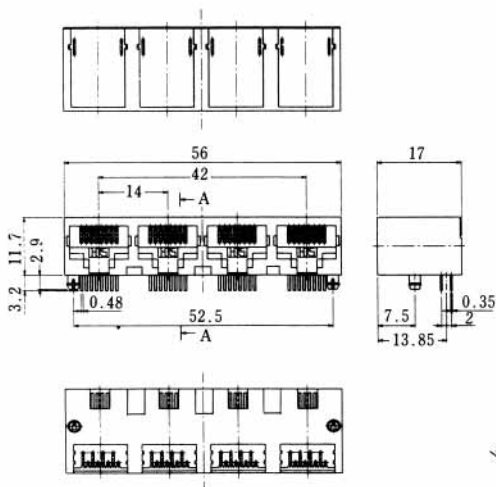
MODULAR CONNECTORS

CL 222 TM

Quadruplet right-angle dip

TM5RL *-3232(50)

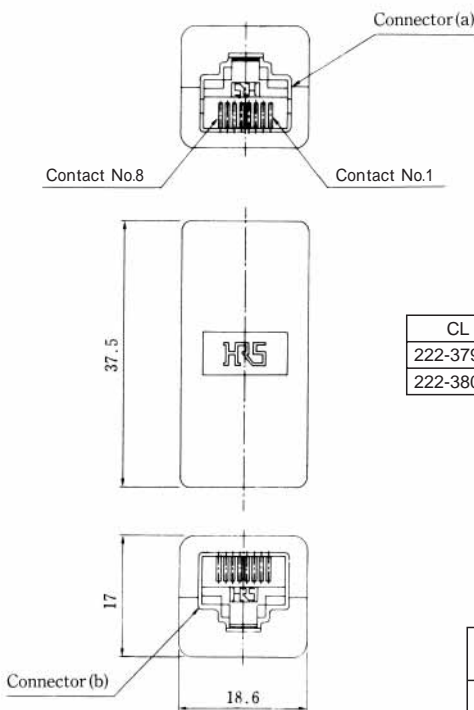
CL No.	Part No.	Type	RoHS
222-2671-0-50	TM5RL-3232(50)	Standard	YES
222-2711-3-50	TM5RLF-3232(50)	With ferrite core	



Note : When preparing frames or PCBs, provide the above for the connector.

Eight-conductor extension adapter

TM5RL *-88-JJ(50)



CL No.	Part No.	Type	RoHS
222-3798-7-50	TM5RL-88-JJ(50)	Standard	YES
222-3805-0-50	TM5RLF-88-JJ(50)	With ferrite core	

Terminal numbers

Connector(a) terminal No. TM5RL-88	1	2	3	4	5	6	7	8
Connector(b) terminal No. TM5RL-88	1	2	3	4	5	6	7	8



Стандарт Электрон Связь

Мы молодая и активно развивающаяся компания в области поставок электронных компонентов. Мы поставляем электронные компоненты отечественного и импортного производства напрямую от производителей и с крупнейших складов мира.

Благодаря сотрудничеству с мировыми поставщиками мы осуществляем комплексные и плановые поставки широчайшего спектра электронных компонентов.

Собственная эффективная логистика и склад в обеспечивает надежную поставку продукции в точно указанные сроки по всей России.

Мы осуществляем техническую поддержку нашим клиентам и предпродажную проверку качества продукции. На все поставляемые продукты мы предоставляем гарантию .

Осуществляем поставки продукции под контролем ВП МО РФ на предприятия военно-промышленного комплекса России , а также работаем в рамках 275 ФЗ с открытием отдельных счетов в уполномоченном банке. Система менеджмента качества компании соответствует требованиям ГОСТ ISO 9001.

Минимальные сроки поставки, гибкие цены, неограниченный ассортимент и индивидуальный подход к клиентам являются основой для выстраивания долгосрочного и эффективного сотрудничества с предприятиями радиоэлектронной промышленности, предприятиями ВПК и научно-исследовательскими институтами России.

С нами вы становитесь еще успешнее!

Наши контакты:

Телефон: +7 812 627 14 35

Электронная почта: sales@st-electron.ru

Адрес: 198099, Санкт-Петербург,
Промышленная ул, дом № 19, литера Н,
помещение 100-Н Офис 331