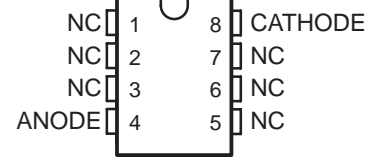


LM285-1.2, LM385-1.2, LM385B-1.2 MICROPOWER VOLTAGE REFERENCES

SLVS075H – APRIL 1989 – REVISED FEBRUARY 2005

- **Operating Current Range**
 - LM285 . . . 10 μ A to 20 mA
 - LM385 . . . 15 μ A to 20 mA
 - LM385B . . . 15 μ A to 20 mA
- **1% and 2% Initial Voltage Tolerance**
- **Reference Impedance**
 - LM385 . . . 1 Ω Max at 25°C
 - All Devices . . . 1.5 Ω Max Over Full Temperature Range
- **Very Low Power Consumption**
- **Applications**
 - Portable Meter References
 - Portable Test Instruments
 - Battery-Operated Systems
 - Current-Loop Instrumentation
 - Panel Meters
- **Interchangeable With Industry Standard LM285-1.2 and LM385-1.2**

LM285-1.2 . . . D PACKAGE
LM385-1.2 . . . D, PS, OR PW PACKAGE
LM385B-1.2 . . . D OR PW PACKAGE
(TOP VIEW)



NC – No internal connection

LM285-1.2, LM385-1.2, LM385B-1.2 . . . LP PACKAGE
(TOP VIEW)



NC – No internal connection

description/ordering information

These micropower, two-terminal, band-gap voltage references operate over a 10- μ A to 20-mA current range and feature exceptionally low dynamic impedance and good temperature stability. On-chip trimming provides tight voltage tolerance. The band-gap reference for these devices has low noise and long-term stability.

ORDERING INFORMATION

TA	VZ TOLERANCE	PACKAGE†		ORDERABLE PART NUMBER	TOP-SIDE MARKING
0°C to 70°C	2%	SOIC (D)	Tube of 75	LM385D-1-2	385-12
			Reel of 2000	LM385DR-1-2	
		SOP (PS)	Reel of 2000	LM385PSR-1-2	L385-12
		TO-226 / TO-92 (LP)	Tube of 1000	LM385LP-1-2	385-12
			Reel of 2000	LM385LPR-1-2	
		TSSOP (PW)	Tube of 150	LM385PW-1-2	385-12
	Reel of 2000		LM385PWR-1-2		
	1%	SOIC (D)	Tube of 75	LM385BD-1-2	385B12
			Reel of 2000	LM385BDR-1-2	
		TO-226 / TO-92 (LP)	Tube of 1000	LM385BLP-1-2	385-12
Reel of 2000			LM385BLPR-1-2		
TSSOP (PW)		Tube of 150	LM385BPW-1-2	385B12	
		Reel of 2000	LM385BPWR-1-2		
–40°C to 85°C	1%	SOIC (D)	Tube of 75	LM285D-1-2	285-12
			Reel of 2000	LM285DR-1-2	
		TO-226 / TO-92 (LP)	Tube of 1000	LM285LP-1-2	285-12

† Package drawings, standard packing quantities, thermal data, symbolization, and PCB design guidelines are available at www.ti.com/sc/package.



Please be aware that an important notice concerning availability, standard warranty, and use in critical applications of Texas Instruments semiconductor products and disclaimers thereto appears at the end of this data sheet.

PRODUCTION DATA information is current as of publication date. Products conform to specifications per the terms of Texas Instruments standard warranty. Production processing does not necessarily include testing of all parameters.

**TEXAS
INSTRUMENTS**

POST OFFICE BOX 655303 • DALLAS, TEXAS 75265

Copyright © 2005, Texas Instruments Incorporated

LM285-1.2, LM385-1.2, LM385B-1.2 MICROPOWER VOLTAGE REFERENCES

SLVS075H – APRIL 1989 – REVISED FEBRUARY 2005

description/ordering information (continued)

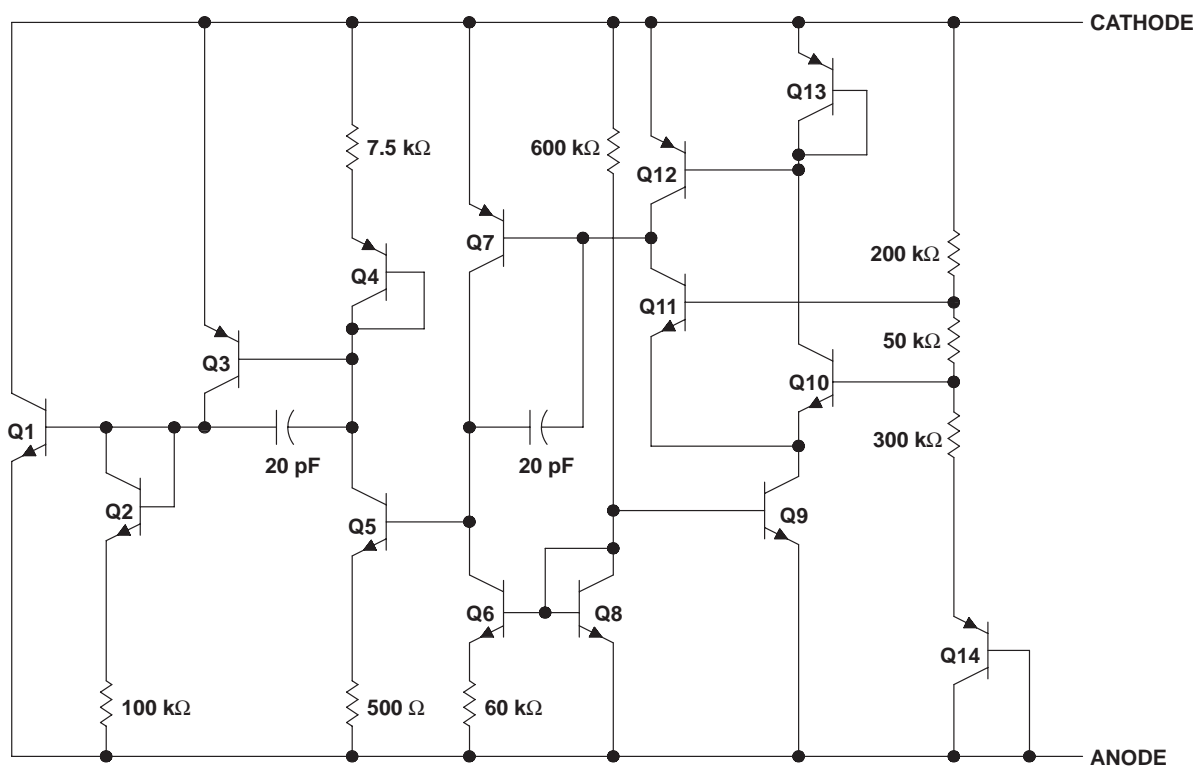
The design makes these devices exceptionally tolerant of capacitive loading and, thus, easier to use in most reference applications. The wide dynamic operating temperature range accommodates varying current supplies, with excellent regulation.

The extremely low power drain of this series makes them useful for micropower circuitry. These voltage references can be used to make portable meters, regulators, or general-purpose analog circuitry, with battery life approaching shelf life. The wide operating current range allows them to replace older references with tighter-tolerance parts.

symbol



schematic



NOTE A: Component values shown are nominal.

LM285-1.2, LM385-1.2, LM385B-1.2 MICROPOWER VOLTAGE REFERENCES

SLVS075H – APRIL 1989 – REVISED FEBRUARY 2005

absolute maximum ratings over operating free-air temperature range (unless otherwise noted)†

Reverse current, I_R	30 mA
Forward current, I_F	10 mA
Package thermal impedance, θ_{JA} (see Notes 1 and 2): D package	97°C/W
LP package	140°C/W
PS package	95°C/W
PW package	149°C/W
Operating virtual junction temperature, T_J	150°C
Lead temperature 1,6 mm (1/16 inch) from case for 10 seconds	260°C
Storage temperature range, T_{Stg}	–65°C to 150°C

† Stresses beyond those listed under “absolute maximum ratings” may cause permanent damage to the device. These are stress ratings only, and functional operation of the device at these or any other conditions beyond those indicated under “recommended operating conditions” is not implied. Exposure to absolute-maximum-rated conditions for extended periods may affect device reliability.

- NOTES: 1. Maximum power dissipation is a function of $T_{J(max)}$, θ_{JA} , and T_A . The maximum allowable power dissipation at any allowable ambient temperature is $P_D = (T_{J(max)} - T_A)/\theta_{JA}$. Operation at the absolute maximum T_J of 150°C can affect reliability.
 2. The package thermal impedance is calculated in accordance with JESD 51-7.

recommended operating conditions

		MIN	MAX	UNIT	
I_Z	Reference current	0.01	20	mA	
T_A	Operating free-air temperature range	LM285-1.2	–40	85	°C
		LM385-1.2, LM385B-1.2	0	70	



LM285-1.2, LM385-1.2, LM385B-1.2 MICROPOWER VOLTAGE REFERENCES

SLVS075H – APRIL 1989 – REVISED FEBRUARY 2005

electrical characteristics at specified free-air temperature

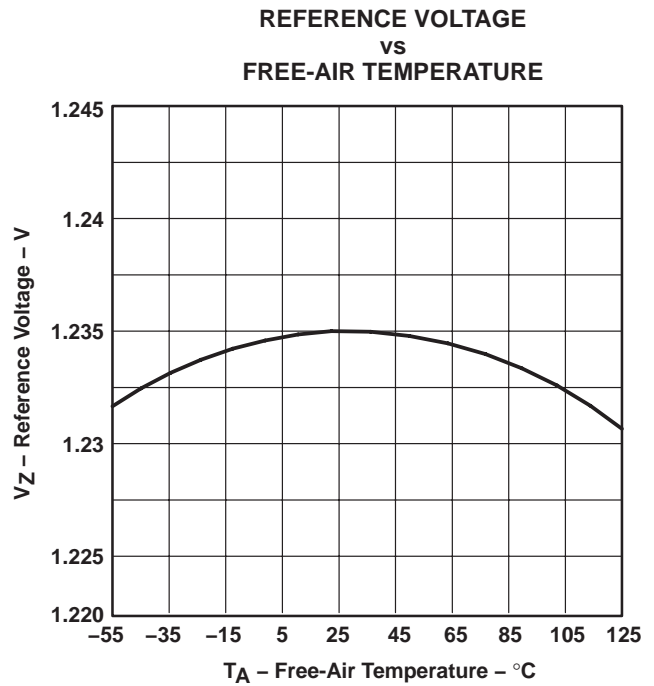
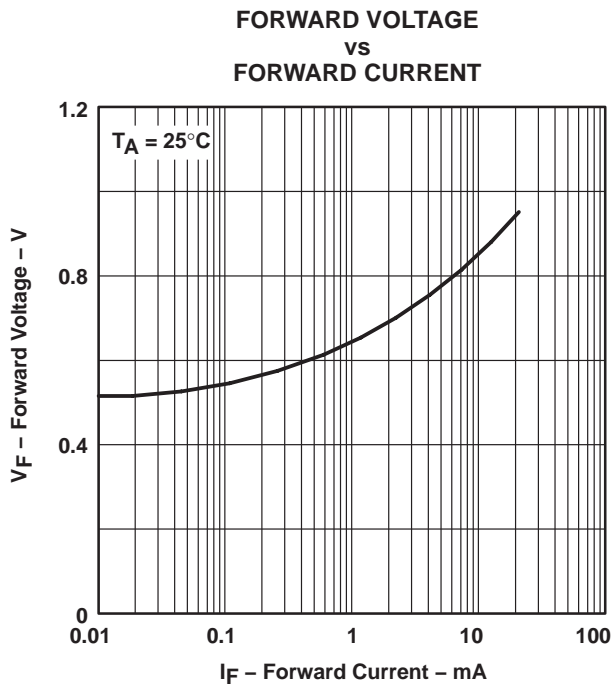
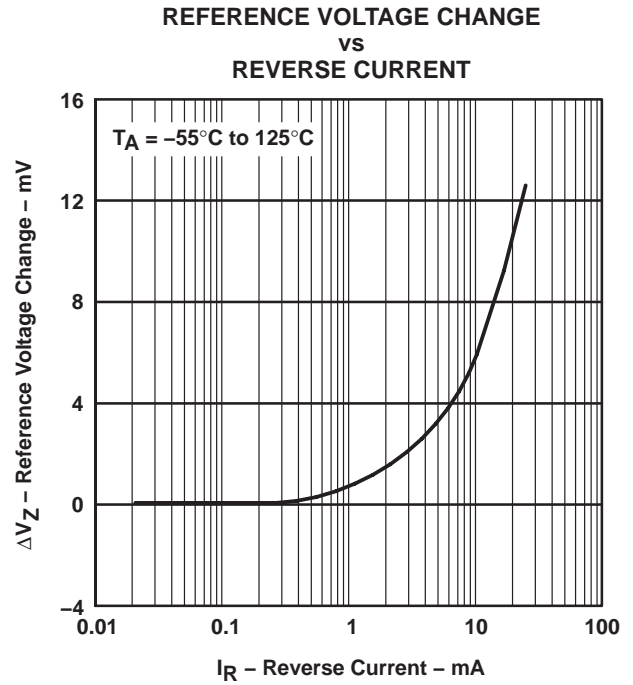
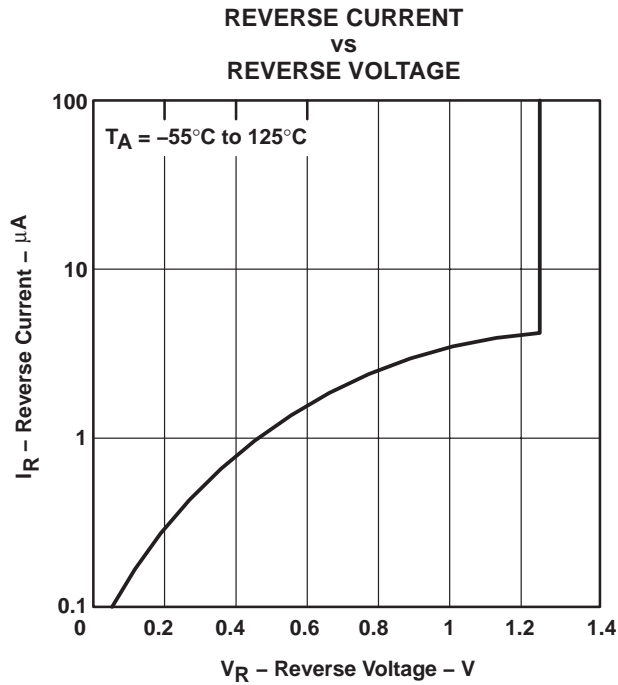
PARAMETER	TEST CONDITIONS	T _A [†]	LM285-1.2			LM385-1.2			LM385B-1.2			UNIT	
			MIN	TYP	MAX	MIN	TYP	MAX	MIN	TYP	MAX		
V _Z	Reference voltage	I _Z = I(min) to 20 mA [‡]	25°C	1.223	1.235	1.247	1.21	1.235	1.26	1.223	1.235	1.247	V
α _{VZ}	Average temperature coefficient of reference voltage [§]	I _Z = I(min) to 20 mA [‡]	Full range	±20			±20			±20			ppm/°C
ΔV _Z	Change in reference voltage with current	I _Z = I(min) to 1 mA [‡]	25°C	1			1			1			mV
			Full range	1.5			1.5			1.5			
		I _Z = 1 mA to 20 mA	25°C	12			20			20			
			Full range	30			30			30			
ΔV _Z /Δt	Long-term change in reference voltage	I _Z = 100 μA	25°C	±20			±20			±20			ppm/khr
I _Z (min)	Minimum reference current		Full range	8 10		8 15		8 15		8 15		μA	
z _Z	Reference impedance	I _Z = 100 μA, f = 25 Hz	25°C	0.2 0.6		0.4 1		0.4 1		0.4 1		Ω	
			Full range	1.5		1.5		1.5					
V _n	Broadband noise voltage	I _Z = 100 μA, f = 10 Hz to 10 kHz	25°C	60			60			60			μV

[†] Full range is -40°C to 85°C for the LM285-1.2 and 0°C to 70°C for the LM385-1.2 and LM385B-1.2.

[‡] I(min) = 10 μA for the LM285-1.2 and 15 μA for the LM385-1.2 and LM385B-1.2

[§] The average temperature coefficient of reference voltage is defined as the total change in reference voltage divided by the specified temperature range.

TYPICAL CHARACTERISTICS†



† Data at high and low temperatures are applicable only within the rated operating free-air temperature ranges of the various devices.

LM285-1.2, LM385-1.2, LM385B-1.2 MICROPOWER VOLTAGE REFERENCES

SLVS075H – APRIL 1989 – REVISED FEBRUARY 2005

TYPICAL CHARACTERISTICS†

REFERENCE IMPEDANCE
VS
REFERENCE CURRENT

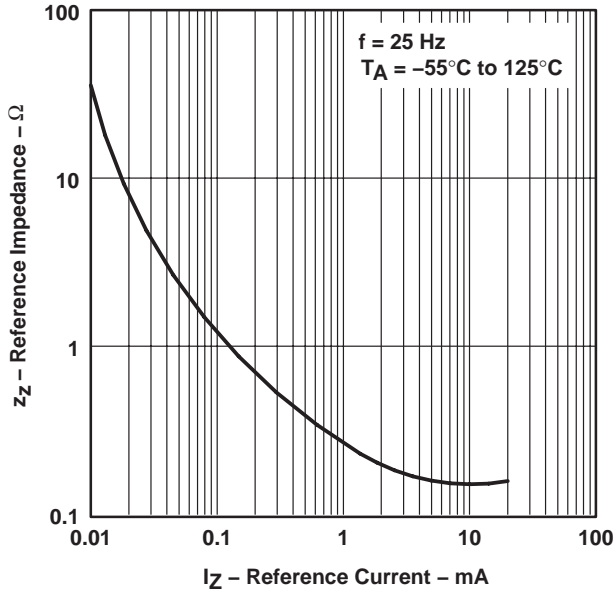


Figure 5

NOISE VOLTAGE
VS
FREQUENCY

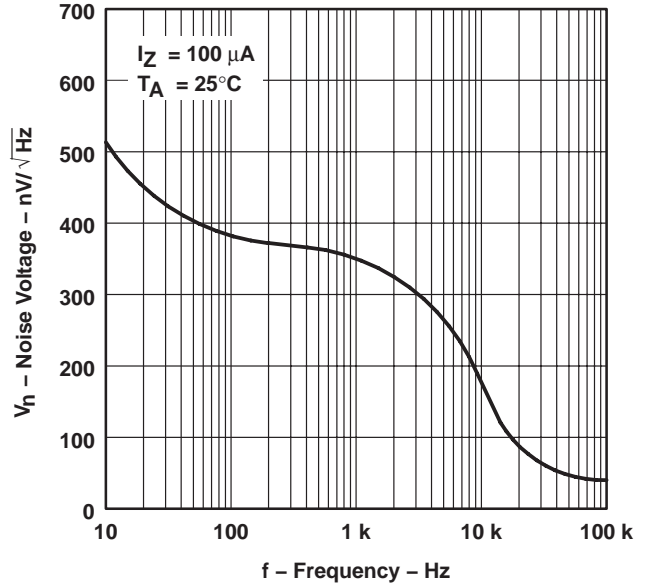


Figure 6

OUTPUT NOISE VOLTAGE
VS
CUTOFF FREQUENCY

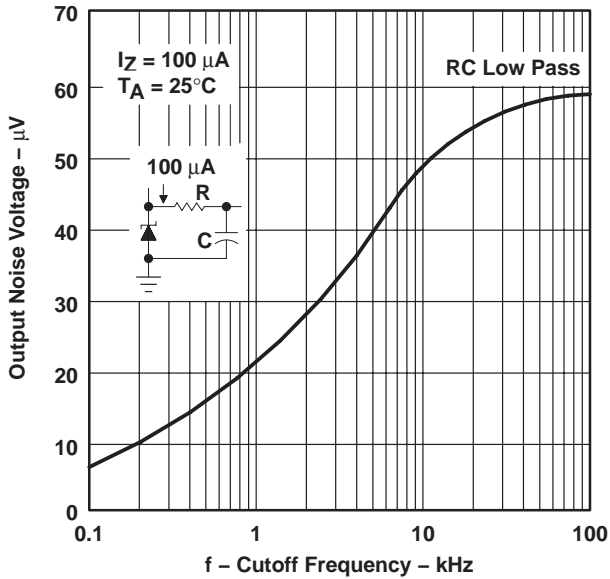


Figure 7

TRANSIENT RESPONSE

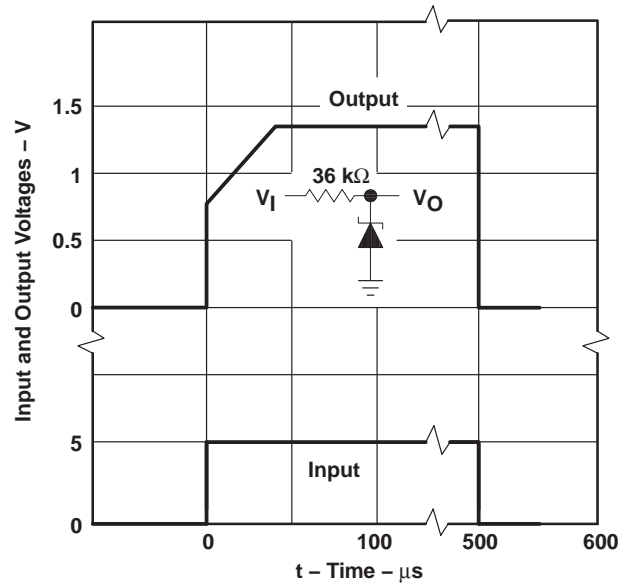
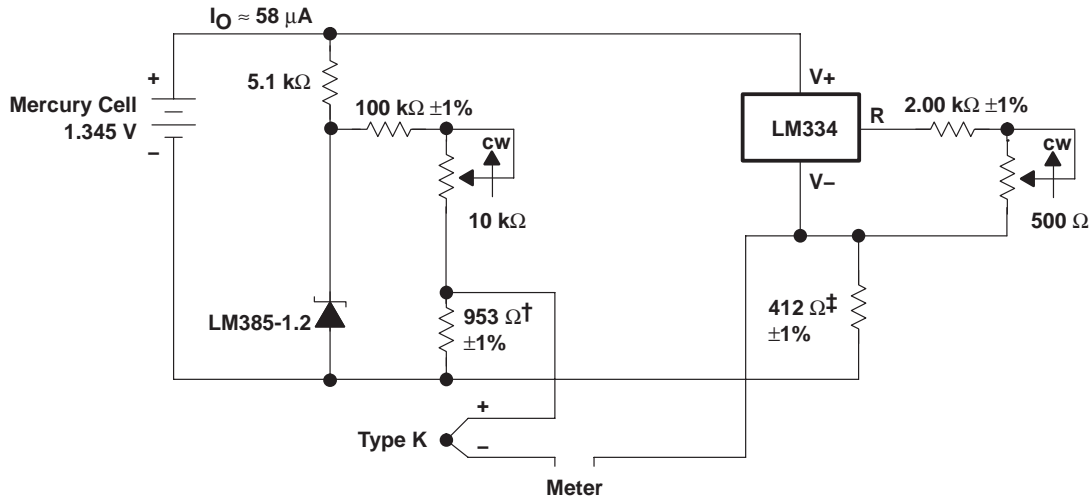


Figure 8

† Data at high and low temperatures are applicable only within the rated operating free-air temperature ranges of the various devices.

APPLICATION INFORMATION



† Adjust for 11.15 mV at 25°C across 953 Ω

‡ Adjust for 12.17 mV at 25°C across 412 Ω

Figure 9. Thermocouple Cold-Junction Compensator

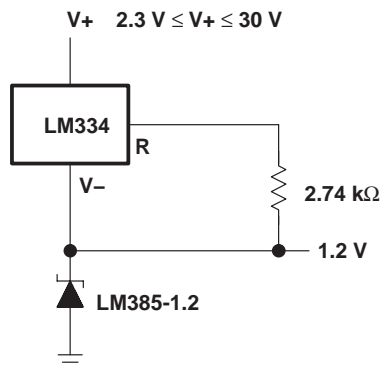


Figure 10. Operation Over a Wide Supply Range

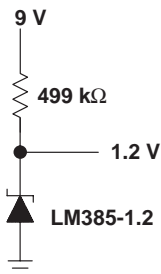


Figure 11. Reference From a 9-V Battery

PACKAGING INFORMATION

Orderable Device	Status ⁽¹⁾	Package Type	Package Drawing	Pins	Package Qty	Eco Plan ⁽²⁾	Lead/Ball Finish	MSL Peak Temp ⁽³⁾
LM285D-1-2	ACTIVE	SOIC	D	8	75	Pb-Free (RoHS)	CU NIPDAU	Level-2-250C-1 YEAR
LM285DR-1-2	ACTIVE	SOIC	D	8	2500	Pb-Free (RoHS)	CU NIPDAU	Level-2-250C-1 YEAR
LM285LP-1-2	ACTIVE	TO-92	LP	3	1000	None	Call TI	Level-NC-NC-NC
LM385BD-1-2	ACTIVE	SOIC	D	8	75	Pb-Free (RoHS)	CU NIPDAU	Level-2-250C-1 YEAR
LM385BDR-1-2	ACTIVE	SOIC	D	8	2500	Pb-Free (RoHS)	CU NIPDAU	Level-2-250C-1 YEAR
LM385BLP-1-2	ACTIVE	TO-92	LP	3	1000	None	Call TI	Level-NC-NC-NC
LM385BLPR-1-2	ACTIVE	TO-92	LP	3	2000	None	Call TI	Level-NC-NC-NC
LM385BPW-1-2	ACTIVE	TSSOP	PW	8	150	Pb-Free (RoHS)	CU NIPDAU	Level-1-250C-UNLIM
LM385BPWR-1-2	ACTIVE	TSSOP	PW	8	2000	Pb-Free (RoHS)	CU NIPDAU	Level-1-250C-UNLIM
LM385D-1-2	ACTIVE	SOIC	D	8	75	Pb-Free (RoHS)	CU NIPDAU	Level-2-250C-1 YEAR
LM385DR-1-2	ACTIVE	SOIC	D	8	2500	Pb-Free (RoHS)	CU NIPDAU	Level-2-250C-1 YEAR
LM385LP-1-2	ACTIVE	TO-92	LP	3	1000	None	Call TI	Level-NC-NC-NC
LM385LPR-1-2	ACTIVE	TO-92	LP	3	2000	None	Call TI	Level-NC-NC-NC
LM385PSR-1-2	ACTIVE	SO	PS	8	2000	Pb-Free (RoHS)	CU NIPDAU	Level-2-260C-1 YEAR/ Level-1-235C-UNLIM
LM385PW-1-2	ACTIVE	TSSOP	PW	8	150	Pb-Free (RoHS)	CU NIPDAU	Level-1-250C-UNLIM
LM385PWR-1-2	ACTIVE	TSSOP	PW	8	2000	Pb-Free (RoHS)	CU NIPDAU	Level-1-250C-UNLIM

⁽¹⁾ The marketing status values are defined as follows:

ACTIVE: Product device recommended for new designs.

LIFEBUY: TI has announced that the device will be discontinued, and a lifetime-buy period is in effect.

NRND: Not recommended for new designs. Device is in production to support existing customers, but TI does not recommend using this part in a new design.

PREVIEW: Device has been announced but is not in production. Samples may or may not be available.

OBSOLETE: TI has discontinued the production of the device.

⁽²⁾ Eco Plan - May not be currently available - please check <http://www.ti.com/productcontent> for the latest availability information and additional product content details.

None: Not yet available Lead (Pb-Free).

Pb-Free (RoHS): TI's terms "Lead-Free" or "Pb-Free" mean semiconductor products that are compatible with the current RoHS requirements for all 6 substances, including the requirement that lead not exceed 0.1% by weight in homogeneous materials. Where designed to be soldered at high temperatures, TI Pb-Free products are suitable for use in specified lead-free processes.

Green (RoHS & no Sb/Br): TI defines "Green" to mean "Pb-Free" and in addition, uses package materials that do not contain halogens, including bromine (Br) or antimony (Sb) above 0.1% of total product weight.

⁽³⁾ MSL, Peak Temp. -- The Moisture Sensitivity Level rating according to the JEDEC industry standard classifications, and peak solder temperature.

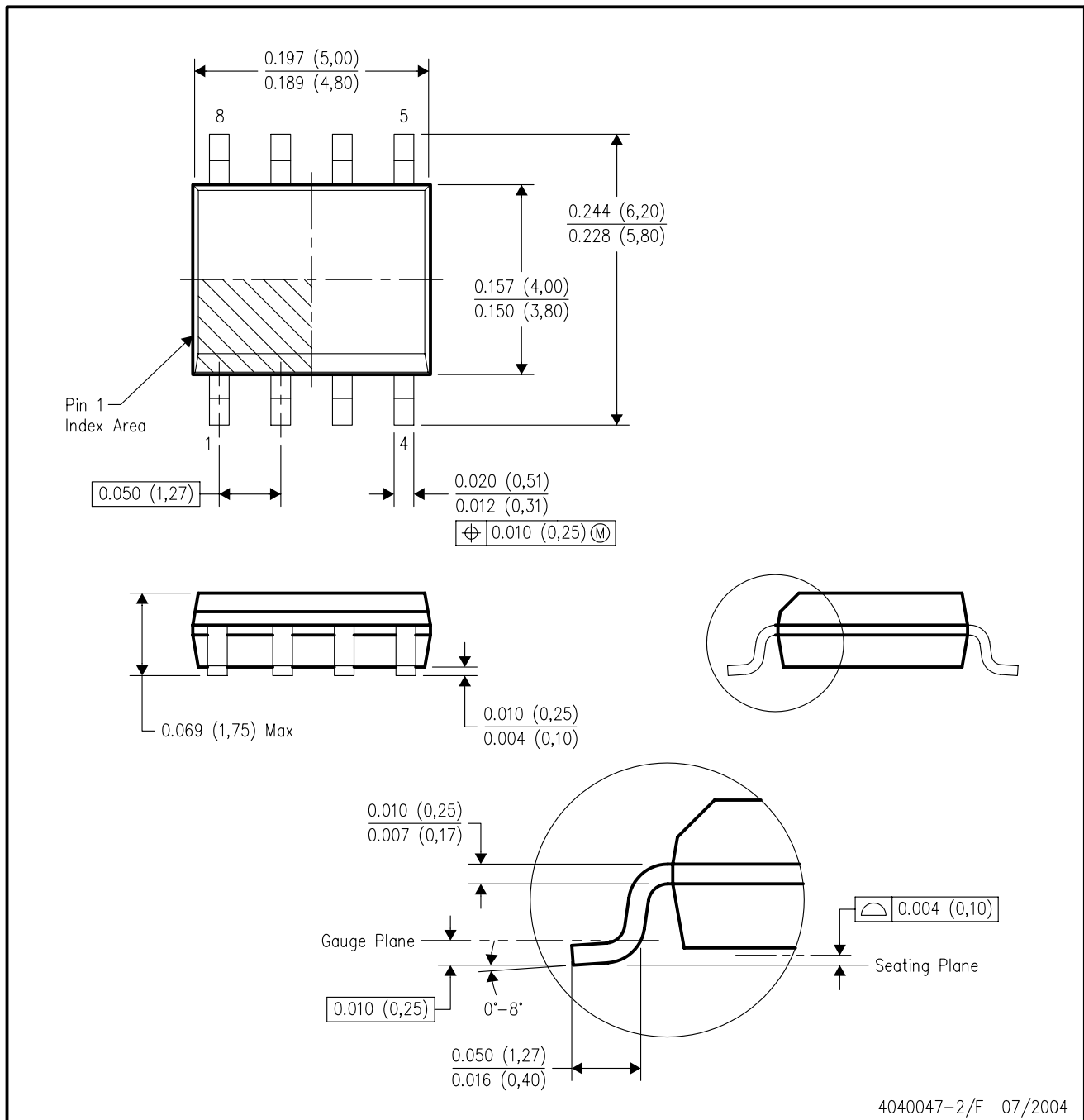
Important Information and Disclaimer: The information provided on this page represents TI's knowledge and belief as of the date that it is provided. TI bases its knowledge and belief on information provided by third parties, and makes no representation or warranty as to the accuracy of such information. Efforts are underway to better integrate information from third parties. TI has taken and continues to take reasonable steps to provide representative and accurate information but may not have conducted destructive testing or chemical analysis on

incoming materials and chemicals. TI and TI suppliers consider certain information to be proprietary, and thus CAS numbers and other limited information may not be available for release.

In no event shall TI's liability arising out of such information exceed the total purchase price of the TI part(s) at issue in this document sold by TI to Customer on an annual basis.

D (R-PDSO-G8)

PLASTIC SMALL-OUTLINE PACKAGE

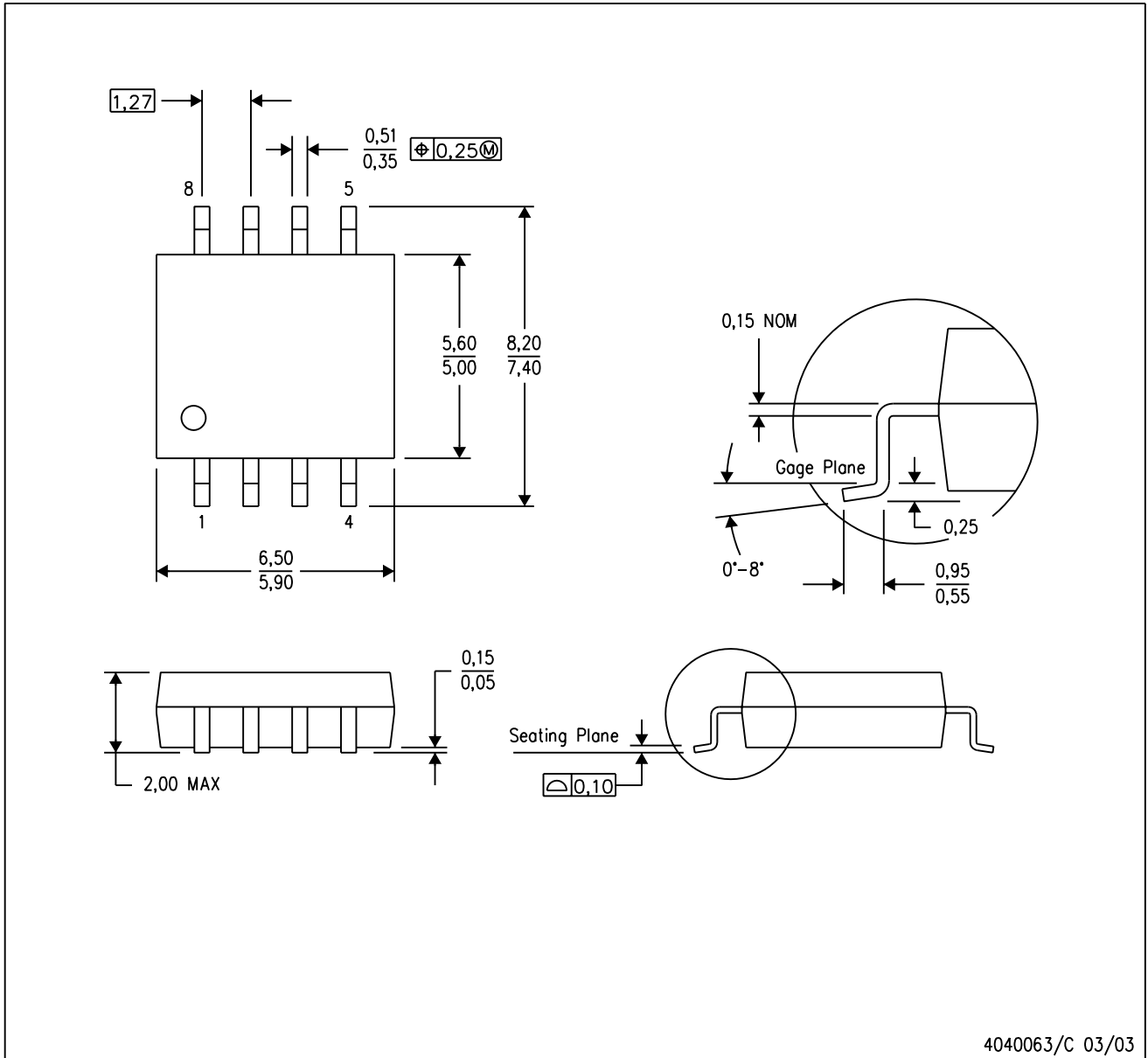


- NOTES:
- A. All linear dimensions are in inches (millimeters).
 - B. This drawing is subject to change without notice.
 - C. Body dimensions do not include mold flash or protrusion not to exceed 0.006 (0,15).
 - D. Falls within JEDEC MS-012 variation AA.

MECHANICAL DATA

PS (R-PDSO-G8)

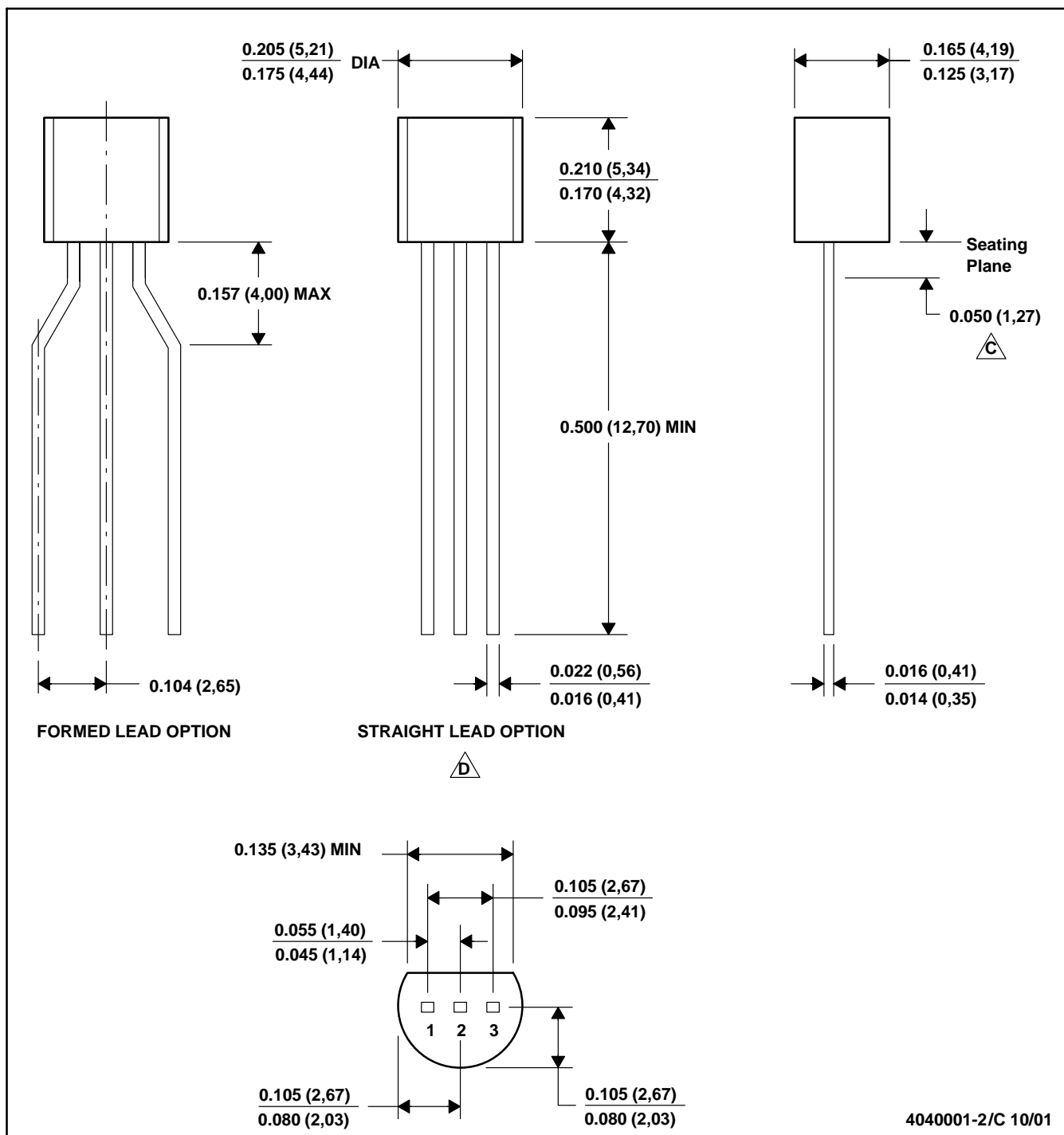
PLASTIC SMALL-OUTLINE PACKAGE



- NOTES:
- A. All linear dimensions are in millimeters.
 - B. This drawing is subject to change without notice.
 - C. Body dimensions do not include mold flash or protrusion, not to exceed 0,15.

LP (O-PBCY-W3)

PLASTIC CYLINDRICAL PACKAGE



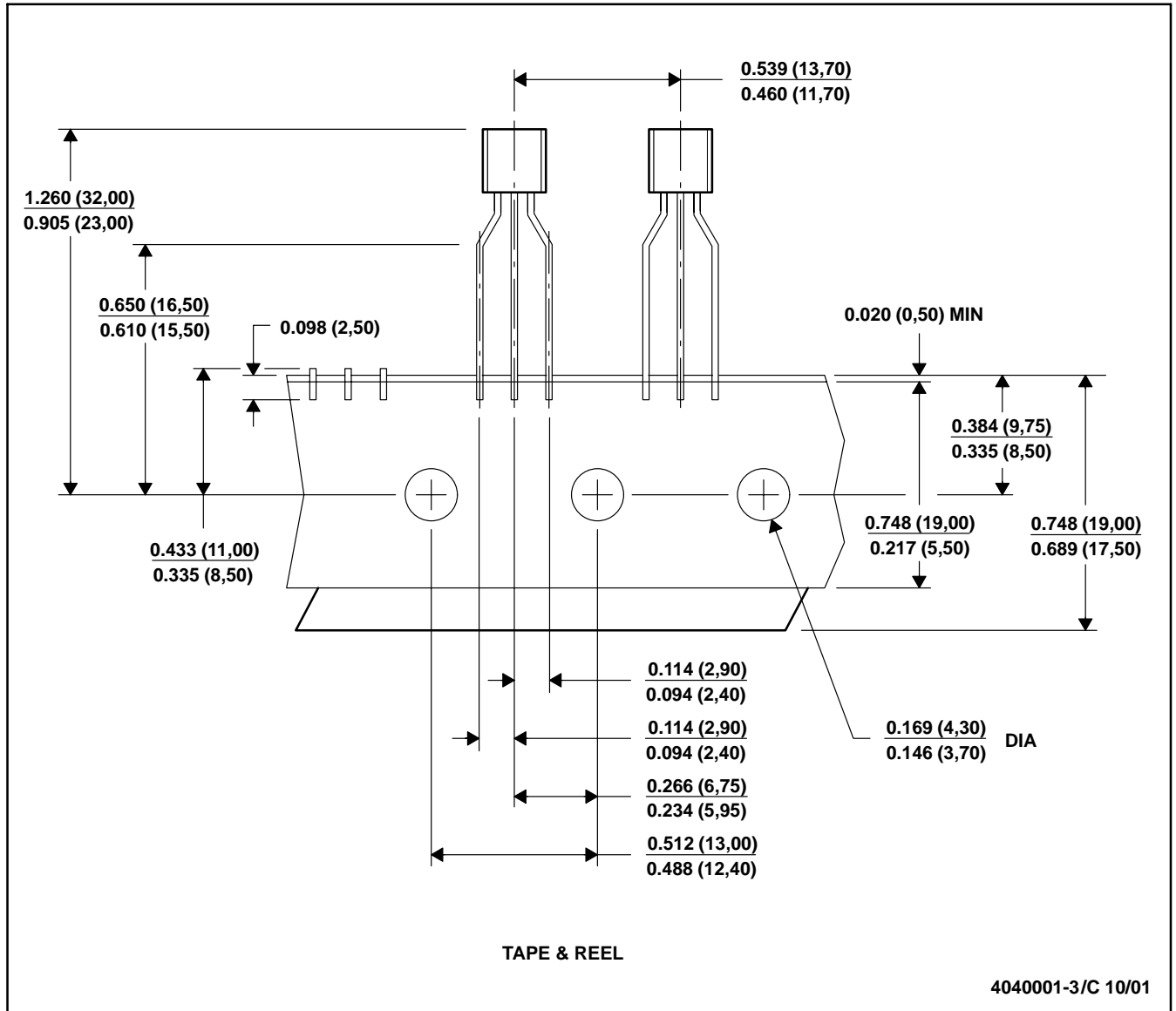
4040001-2/C 10/01

MECHANICAL DATA

MSOT002A – OCTOBER 1994 – REVISED NOVEMBER 2001

LP (O-PBCY-W3)

PLASTIC CYLINDRICAL PACKAGE



- NOTES: A. All linear dimensions are in inches (millimeters).
 B. This drawing is subject to change without notice.
 C. Tape and Reel information for the Format Lead Option package.

PW (R-PDSO-G**)

PLASTIC SMALL-OUTLINE PACKAGE

14 PINS SHOWN



4040064/F 01/97

- NOTES: A. All linear dimensions are in millimeters.
 B. This drawing is subject to change without notice.
 C. Body dimensions do not include mold flash or protrusion not to exceed 0,15.
 D. Falls within JEDEC MO-153

IMPORTANT NOTICE

Texas Instruments Incorporated and its subsidiaries (TI) reserve the right to make corrections, modifications, enhancements, improvements, and other changes to its products and services at any time and to discontinue any product or service without notice. Customers should obtain the latest relevant information before placing orders and should verify that such information is current and complete. All products are sold subject to TI's terms and conditions of sale supplied at the time of order acknowledgment.

TI warrants performance of its hardware products to the specifications applicable at the time of sale in accordance with TI's standard warranty. Testing and other quality control techniques are used to the extent TI deems necessary to support this warranty. Except where mandated by government requirements, testing of all parameters of each product is not necessarily performed.

TI assumes no liability for applications assistance or customer product design. Customers are responsible for their products and applications using TI components. To minimize the risks associated with customer products and applications, customers should provide adequate design and operating safeguards.

TI does not warrant or represent that any license, either express or implied, is granted under any TI patent right, copyright, mask work right, or other TI intellectual property right relating to any combination, machine, or process in which TI products or services are used. Information published by TI regarding third-party products or services does not constitute a license from TI to use such products or services or a warranty or endorsement thereof. Use of such information may require a license from a third party under the patents or other intellectual property of the third party, or a license from TI under the patents or other intellectual property of TI.

Reproduction of information in TI data books or data sheets is permissible only if reproduction is without alteration and is accompanied by all associated warranties, conditions, limitations, and notices. Reproduction of this information with alteration is an unfair and deceptive business practice. TI is not responsible or liable for such altered documentation.

Resale of TI products or services with statements different from or beyond the parameters stated by TI for that product or service voids all express and any implied warranties for the associated TI product or service and is an unfair and deceptive business practice. TI is not responsible or liable for any such statements.

Following are URLs where you can obtain information on other Texas Instruments products and application solutions:

Products		Applications	
Amplifiers	amplifier.ti.com	Audio	www.ti.com/audio
Data Converters	dataconverter.ti.com	Automotive	www.ti.com/automotive
DSP	dsp.ti.com	Broadband	www.ti.com/broadband
Interface	interface.ti.com	Digital Control	www.ti.com/digitalcontrol
Logic	logic.ti.com	Military	www.ti.com/military
Power Mgmt	power.ti.com	Optical Networking	www.ti.com/opticalnetwork
Microcontrollers	microcontroller.ti.com	Security	www.ti.com/security
		Telephony	www.ti.com/telephony
		Video & Imaging	www.ti.com/video
		Wireless	www.ti.com/wireless

Mailing Address: Texas Instruments
Post Office Box 655303 Dallas, Texas 75265



Стандарт Электрон Связь

Мы молодая и активно развивающаяся компания в области поставок электронных компонентов. Мы поставляем электронные компоненты отечественного и импортного производства напрямую от производителей и с крупнейших складов мира.

Благодаря сотрудничеству с мировыми поставщиками мы осуществляем комплексные и плановые поставки широчайшего спектра электронных компонентов.

Собственная эффективная логистика и склад в обеспечивает надежную поставку продукции в точно указанные сроки по всей России.

Мы осуществляем техническую поддержку нашим клиентам и предпродажную проверку качества продукции. На все поставляемые продукты мы предоставляем гарантию .

Осуществляем поставки продукции под контролем ВП МО РФ на предприятия военно-промышленного комплекса России , а также работаем в рамках 275 ФЗ с открытием отдельных счетов в уполномоченном банке. Система менеджмента качества компании соответствует требованиям ГОСТ ISO 9001.

Минимальные сроки поставки, гибкие цены, неограниченный ассортимент и индивидуальный подход к клиентам являются основой для выстраивания долгосрочного и эффективного сотрудничества с предприятиями радиоэлектронной промышленности, предприятиями ВПК и научно-исследовательскими институтами России.

С нами вы становитесь еще успешнее!

Наши контакты:

Телефон: +7 812 627 14 35

Электронная почта: sales@st-electron.ru

Адрес: 198099, Санкт-Петербург,
Промышленная ул, дом № 19, литера Н,
помещение 100-Н Офис 331