

D4GL Door-mounting Accessory with Lockout Key to Prevent Workers from Becoming Trapped inside Hazardous Area

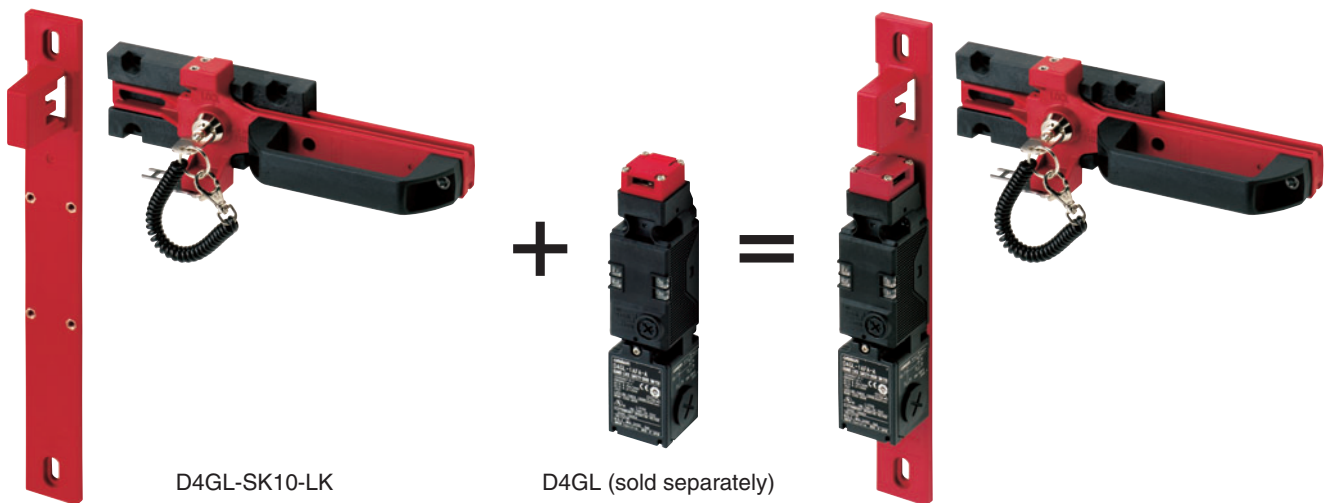
- The vertical D4GL Guard Lock Safety-door Switch can be easily mounted on 40 x 40 mm aluminum frames.
- The plastic material makes the Slide Key suitable for lightweight doors.



 Be sure to read the "Safety Precautions" on page 5 and the "Precautions for All Safety Door Switches".

Configuration

D4GL-SK10-LK

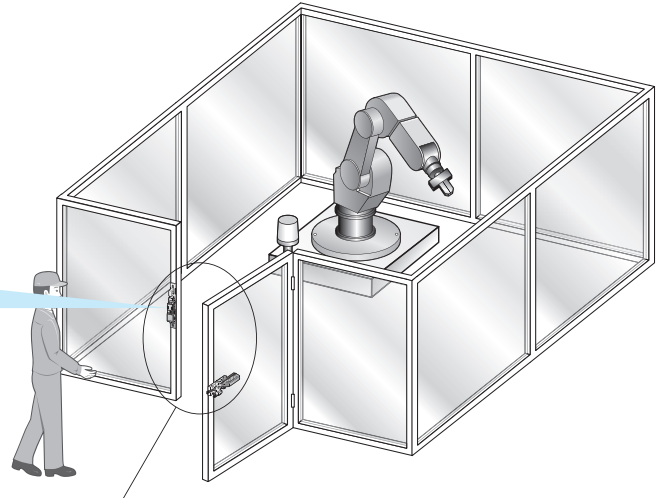


Features

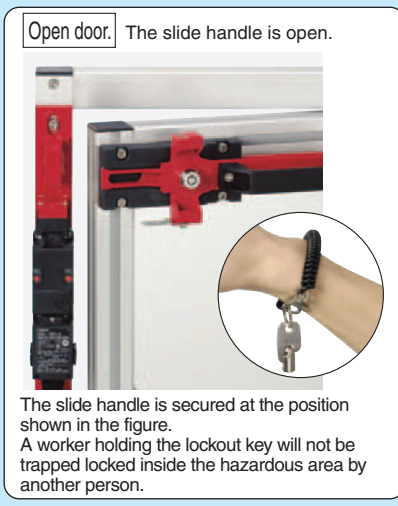
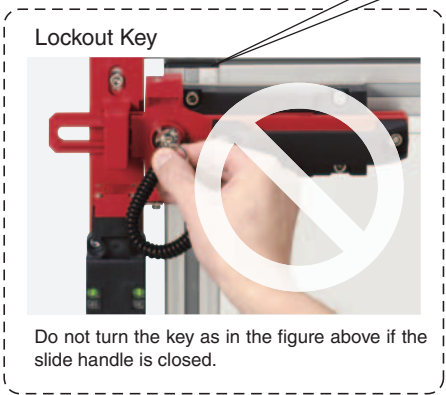
The lockout key prevents workers from becoming trapped without using a padlock.

Note: Using two-color LEDs enables confirming whether the door is open or closed and locked or unlocked.


Example: D4GL-2DFA-A with mechanical lock and solenoid release



The handle-shaped fixture makes it easy to use the Door Switch.



Ordering Information

Appearance	Specifications	Contents	Model	Applicable Door Switch
	Weight: Approx. 0.6 kg Mechanical durability: 20,000 operations min.	Slide Key: 1 (not yet mounted) D4GL mounting plate: 1 Door Switch special mounting screws: 4 D4DS-K1 (operation key): 1 D4DS-K1 special mounting screws: 2 Lockout keys: 2 Lockout key strap: 1 Caution labels (stickers): 2 sheets (English and Japanese)	D4GL-SK10-LK	D4GL

Note: 1. The Door Switch is not included. Select the Door Switch depending on the necessary number of contacts and the conduit size. The contents are provided as a total set, individual contents cannot be ordered separately.
2. Perform risk assessment for the equipment in question, configure relay units and other safety circuits, and use properly.

Applicable Door Switches

Guard Lock Safety-door Switch D4GL



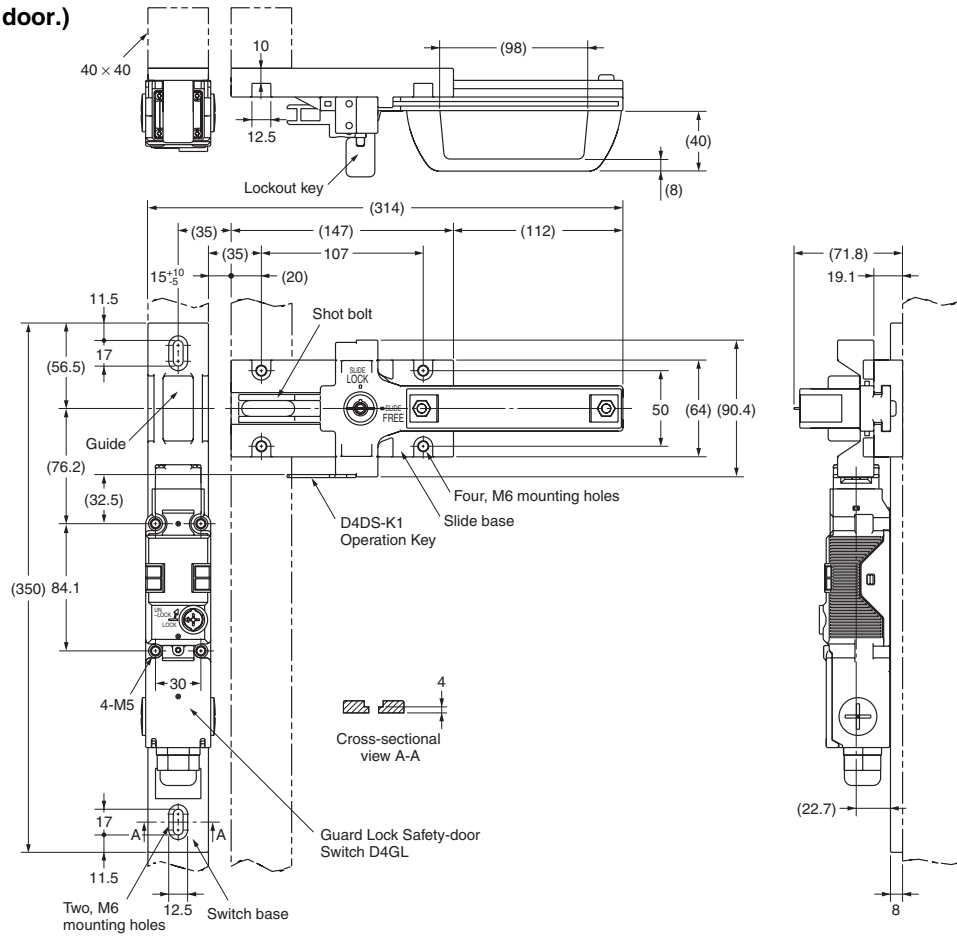
- The two-color (orange/green) LED indicators enable checking whether the door is locked and the key is inserted.
- With gold-plated contacts used as standard, general loads and microloads are supported.

List of Models

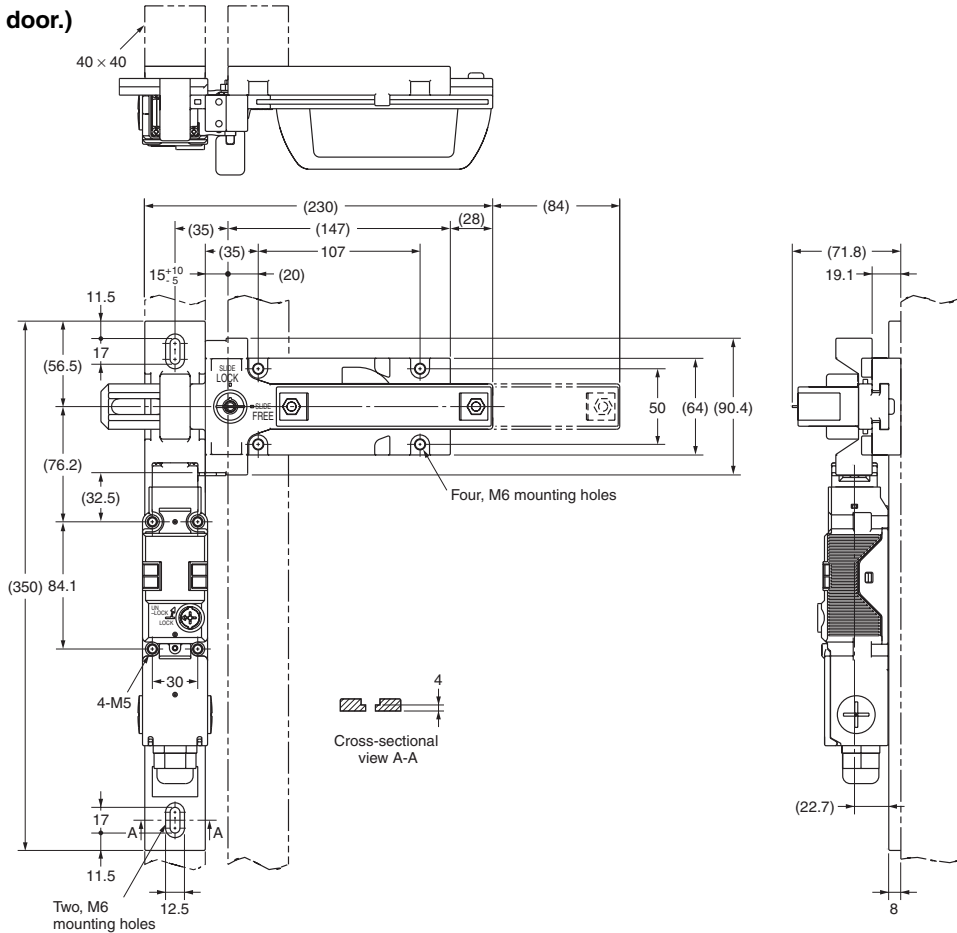
Release key type	Solenoid voltage and indicator type	Lock and release types	Contact configuration (door open/closed detection switch and lock monitor switch contacts)	Conduit opening	Model
Standard	Solenoid: 24 VDC Orange/green LED: 24 VDC	Mechanical lock, Solenoid release	1NC/1NO+1NC/1NO	Pg13.5	D4GL-1AFA-A
				G1/2	D4GL-2AFA-A
				M20	D4GL-4AFA-A
			1NC/1NO+2NC	Pg13.5	D4GL-1BFA-A
				G1/2	D4GL-2BFA-A
				M20	D4GL-4BFA-A
			2NC+1NC/1NO	Pg13.5	D4GL-1CFA-A
				G1/2	D4GL-2CFA-A
				M20	D4GL-4CFA-A
			2NC+2NC	Pg13.5	D4GL-1DFA-A
				G1/2	D4GL-2DFA-A
				M20	D4GL-4DFA-A
		2NC/1NO+1NC/1NO	Pg13.5	D4GL-1EFA-A	
			G1/2	D4GL-2EFA-A	
			M20	D4GL-4EFA-A	
		2NC/1NO+2NC	Pg13.5	D4GL-1FFA-A	
			G1/2	D4GL-2FFA-A	
			M20	D4GL-4FFA-A	
		3NC+1NC/1NO	Pg13.5	D4GL-1GFA-A	
			G1/2	D4GL-2GFA-A	
			M20	D4GL-4GFA-A	
		3NC+2NC	Pg13.5	D4GL-1HFA-A	
			G1/2	D4GL-2HFA-A	
			M20	D4GL-4HFA-A	
Solenoid lock, Mechanical release	1NC/1NO+1NC/1NO	Pg13.5	D4GL-1AFG-A		
		G1/2	D4GL-2AFG-A		
		M20	D4GL-4AFG-A		
	1NC/1NO+2NC	Pg13.5	D4GL-1BFG-A		
		G1/2	D4GL-2BFG-A		
		M20	D4GL-4BFG-A		
	2NC+1NC/1NO	Pg13.5	D4GL-1CFG-A		
		G1/2	D4GL-2CFG-A		
		M20	D4GL-4CFG-A		
	2NC+2NC	Pg13.5	D4GL-1DFG-A		
		G1/2	D4GL-2DFG-A		
		M20	D4GL-4DFG-A		
2NC/1NO+1NC/1NO	Pg13.5	D4GL-1EFG-A			
	G1/2	D4GL-2EFG-A			
	M20	D4GL-4EFG-A			
2NC/1NO+2NC	Pg13.5	D4GL-1FFG-A			
	G1/2	D4GL-2FFG-A			
	M20	D4GL-4FFG-A			
3NC+1NC/1NO	Pg13.5	D4GL-1GFG-A			
	G1/2	D4GL-2GFG-A			
	M20	D4GL-4GFG-A			
3NC+2NC	Pg13.5	D4GL-1HFG-A			
	G1/2	D4GL-2HFG-A			
	M20	D4GL-4HFG-A			

Dimensions

D4GL-SK10-LK (Open door.)



D4GL-SK10-LK (Close door.)



Safety Precautions

Refer to the “*Precautions for All Switches*” and “*Precautions for All Safety Door Switches*”.

CAUTION

Do not use this product mounted so that it slides vertically. This may cause malfunction, resulting in personal injury.

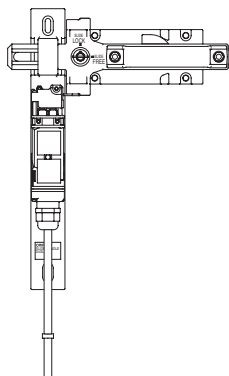


Do not insert the operation key with the door open. Devices may start to operate, resulting in injury.



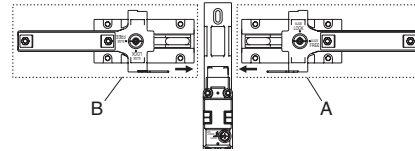
Precautions for Safe Use

- Do not drop the Product. Doing so may prevent the Product from functioning to full capacity.
- Mount the Product securely to prevent it from falling. Otherwise, injury may occur.
- Do not attempt to disassemble or modify the Switch. Doing so may cause the Switch to malfunction.
- Make sure that the gap between the shot bolt and the guide is ± 0.5 mm. Otherwise, excessive wear or damage may cause malfunction.
- To ensure safety, do not operate the Switch with anything other than the Slide Key Unit.
- Your hand may be injured by being pinched between the Operation Key and Switch when closing the door with your hand on the Product.
- Be careful to avoid pinching your hand when operating the Slide Handle.
- Do not impose a force of exceeding 1 N·m when operating the Lockout Key. Otherwise, the Product may be damaged and may not operate properly.
To prevent damage, attach the supplied labels for display near the Product.
- Do not force the slide handle to move when the lockout key is not inserted. Doing so may damage the product and make operation impossible.
- Do not force the slide handle to move when the door is locked.
- Do not close the door with the shot bolt removed. Doing so may damage the product and make operation impossible.
- Turn the Lockout Key to the “SLIDE LOCK” position and remove it when opening the door to prevent a third party from operating the Slide Handle.
- The durability of the Switch varies considerably depending on the switching conditions. Always confirm the usage conditions by using the Switch in an actual application, and use the Switch only for the number of switching operations given in the performance specifications.
- The user must not maintain or repair equipment incorporating the Switch. Contact the manufacturer of the equipment for any maintenance or repairs required.
- Refer to the *D4GL Guard Lock Safety-door Switch Datasheet* and *Instruction Sheet* about storage conditions, ambient conditions, Switch details, and handling methods.
- Do not apply excessive force in the direction of the slide. This may damage the product and cause it to malfunction.
- Do not force the switch or cable. This may damage the product. The cable should be fixed at a point separate from the switch.



Precautions for Correct Use

- This product is for D4GL Guard Lock Safety-door Switch only. This product cannot be used with any other manufacturer’s door switches.
- Use the Slide Handle in the direction A or B in the following figure.



- Loose screws may result in malfunction. Use washers and tighten the screws to the specified torques. Mount the Slide Base at four points with screws. Adding adhesive is recommended for preventing the screws from loosening. Also, when mounting the Product to a door for disable-prevention purposes, purchase and use tamper-resistant screws.

Appropriate Tightening Torque

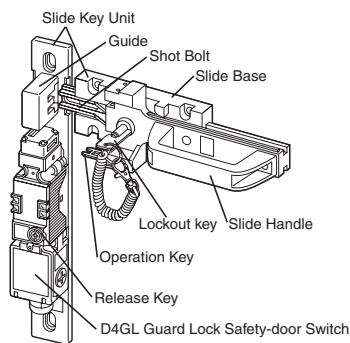
Slide Key mounting screw (M6)	6.0 to 7.0 N·m
Operation key special mounting screw (screws supplied)	2.4 to 2.8 N·m
Switch special mounting screw (screws supplied)	1.3 to 1.5 N·m

Technical Specifications

Ambient operating temperature	-10 to 55°C (with no icing)
Ambient operating humidity	95% max.
Mechanical durability	20,000 operations min.
Weight	Approx. 0.6 kg (not including D4JL Guard Lock Safety-door Switch)

- Do not store the Switch where corrosive gases (e.g., H₂S, SO₂, NH₃, HNO₃ or Cl₂) or dust is present, or in locations subject to high temperature or humidity.
- Perform maintenance inspections periodically.
- When the lockout key is attached to your wrist, be careful that the strap does not get stuck in equipment.

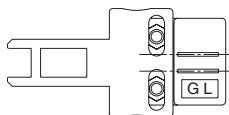
Nomenclature



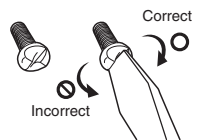
Differences between Lockout Key and Trapped Key (Reference)

	Lockout key	Trapped key (Refer to information on the D4JL-□□□A-□7-□□)
Closing the door	The door cannot be closed unless the lockout key is inserted in the slide and turned.	The door cannot be closed unless the trapped key is inserted in the Switch and turned.
Opening the door	The door can be opened by supplying power to the Switch solenoid without operating the lockout switch.	The door can never be opened without both supplying power to the Switch solenoid and operating the trapped key.

- When mounting the operation key, line up the inside edges of the long operation key holes with the outer edges of the slide handle as in the following figure to ensure easy position adjustment.



- Use the supplied special screws to mount the operation key and D4GL Guard Lock Safety-door Switch. To tighten the screws, use the tip of a flat-head screwdriver on the screw heads as shown in the following figure.
- The special screws cannot be removed once they are tightened.



Note: The special screws are designed so that they cannot be turned counter-clockwise using a flat-head screwdriver.

Read and Understand This Catalog

Please read and understand this catalog before purchasing the products. Please consult your OMRON representative if you have any questions or comments.

Warranty and Limitations of Liability

WARRANTY

OMRON's exclusive warranty is that the products are free from defects in materials and workmanship for a period of one year (or other period if specified) from date of sale by OMRON.

OMRON MAKES NO WARRANTY OR REPRESENTATION, EXPRESS OR IMPLIED, REGARDING NON-INFRINGEMENT, MERCHANTABILITY, OR FITNESS FOR PARTICULAR PURPOSE OF THE PRODUCTS. ANY BUYER OR USER ACKNOWLEDGES THAT THE BUYER OR USER ALONE HAS DETERMINED THAT THE PRODUCTS WILL SUITABLY MEET THE REQUIREMENTS OF THEIR INTENDED USE. OMRON DISCLAIMS ALL OTHER WARRANTIES, EXPRESS OR IMPLIED.

LIMITATIONS OF LIABILITY

OMRON SHALL NOT BE RESPONSIBLE FOR SPECIAL, INDIRECT, OR CONSEQUENTIAL DAMAGES, LOSS OF PROFITS OR COMMERCIAL LOSS IN ANY WAY CONNECTED WITH THE PRODUCTS, WHETHER SUCH CLAIM IS BASED ON CONTRACT, WARRANTY, NEGLIGENCE, OR STRICT LIABILITY.

In no event shall the responsibility of OMRON for any act exceed the individual price of the product on which liability is asserted.

IN NO EVENT SHALL OMRON BE RESPONSIBLE FOR WARRANTY, REPAIR, OR OTHER CLAIMS REGARDING THE PRODUCTS UNLESS OMRON'S ANALYSIS CONFIRMS THAT THE PRODUCTS WERE PROPERLY HANDLED, STORED, INSTALLED, AND MAINTAINED AND NOT SUBJECT TO CONTAMINATION, ABUSE, MISUSE, OR INAPPROPRIATE MODIFICATION OR REPAIR.

Application Considerations

SUITABILITY FOR USE

OMRON shall not be responsible for conformity with any standards, codes, or regulations that apply to the combination of products in the customer's application or use of the products.

At the customer's request, OMRON will provide applicable third party certification documents identifying ratings and limitations of use that apply to the products. This information by itself is not sufficient for a complete determination of the suitability of the products in combination with the end product, machine, system, or other application or use.

The following are some examples of applications for which particular attention must be given. This is not intended to be an exhaustive list of all possible uses of the products, nor is it intended to imply that the uses listed may be suitable for the products:

- Outdoor use, uses involving potential chemical contamination or electrical interference, or conditions or uses not described in this catalog.
- Nuclear energy control systems, combustion systems, railroad systems, aviation systems, medical equipment, amusement machines, vehicles, safety equipment, and installations subject to separate industry or government regulations.
- Systems, machines, and equipment that could present a risk to life or property.

Please know and observe all prohibitions of use applicable to the products.

NEVER USE THE PRODUCTS FOR AN APPLICATION INVOLVING SERIOUS RISK TO LIFE OR PROPERTY WITHOUT ENSURING THAT THE SYSTEM AS A WHOLE HAS BEEN DESIGNED TO ADDRESS THE RISKS, AND THAT THE OMRON PRODUCTS ARE PROPERLY RATED AND INSTALLED FOR THE INTENDED USE WITHIN THE OVERALL EQUIPMENT OR SYSTEM.

PROGRAMMABLE PRODUCTS

OMRON shall not be responsible for the user's programming of a programmable product, or any consequence thereof.

Disclaimers

CHANGE IN SPECIFICATIONS

Product specifications and accessories may be changed at any time based on improvements and other reasons.

It is our practice to change model numbers when published ratings or features are changed, or when significant construction changes are made. However, some specifications of the products may be changed without any notice. When in doubt, special model numbers may be assigned to fix or establish key specifications for your application on your request. Please consult with your OMRON representative at any time to confirm actual specifications of purchased products.

DIMENSIONS AND WEIGHTS

Dimensions and weights are nominal and are not to be used for manufacturing purposes, even when tolerances are shown.

PERFORMANCE DATA

Performance data given in this catalog is provided as a guide for the user in determining suitability and does not constitute a warranty. It may represent the result of OMRON's test conditions, and the users must correlate it to actual application requirements. Actual performance is subject to the OMRON Warranty and Limitations of Liability.

ERRORS AND OMISSIONS

The information in this document has been carefully checked and is believed to be accurate; however, no responsibility is assumed for clerical, typographical, or proofreading errors, or omissions.

2010.3

In the interest of product improvement, specifications are subject to change without notice.

OMRON Corporation
Industrial Automation Company

<http://www.ia.omron.com/>

(c)Copyright OMRON Corporation 2010 All Right Reserved.



Стандарт Электрон Связь

Мы молодая и активно развивающаяся компания в области поставок электронных компонентов. Мы поставляем электронные компоненты отечественного и импортного производства напрямую от производителей и с крупнейших складов мира.

Благодаря сотрудничеству с мировыми поставщиками мы осуществляем комплексные и плановые поставки широчайшего спектра электронных компонентов.

Собственная эффективная логистика и склад в обеспечивает надежную поставку продукции в точно указанные сроки по всей России.

Мы осуществляем техническую поддержку нашим клиентам и предпродажную проверку качества продукции. На все поставляемые продукты мы предоставляем гарантию .

Осуществляем поставки продукции под контролем ВП МО РФ на предприятия военно-промышленного комплекса России , а также работаем в рамках 275 ФЗ с открытием отдельных счетов в уполномоченном банке. Система менеджмента качества компании соответствует требованиям ГОСТ ISO 9001.

Минимальные сроки поставки, гибкие цены, неограниченный ассортимент и индивидуальный подход к клиентам являются основой для выстраивания долгосрочного и эффективного сотрудничества с предприятиями радиоэлектронной промышленности, предприятиями ВПК и научно-исследовательскими институтами России.

С нами вы становитесь еще успешнее!

Наши контакты:

Телефон: +7 812 627 14 35

Электронная почта: sales@st-electron.ru

Адрес: 198099, Санкт-Петербург,
Промышленная ул, дом № 19, литера Н,
помещение 100-Н Офис 331