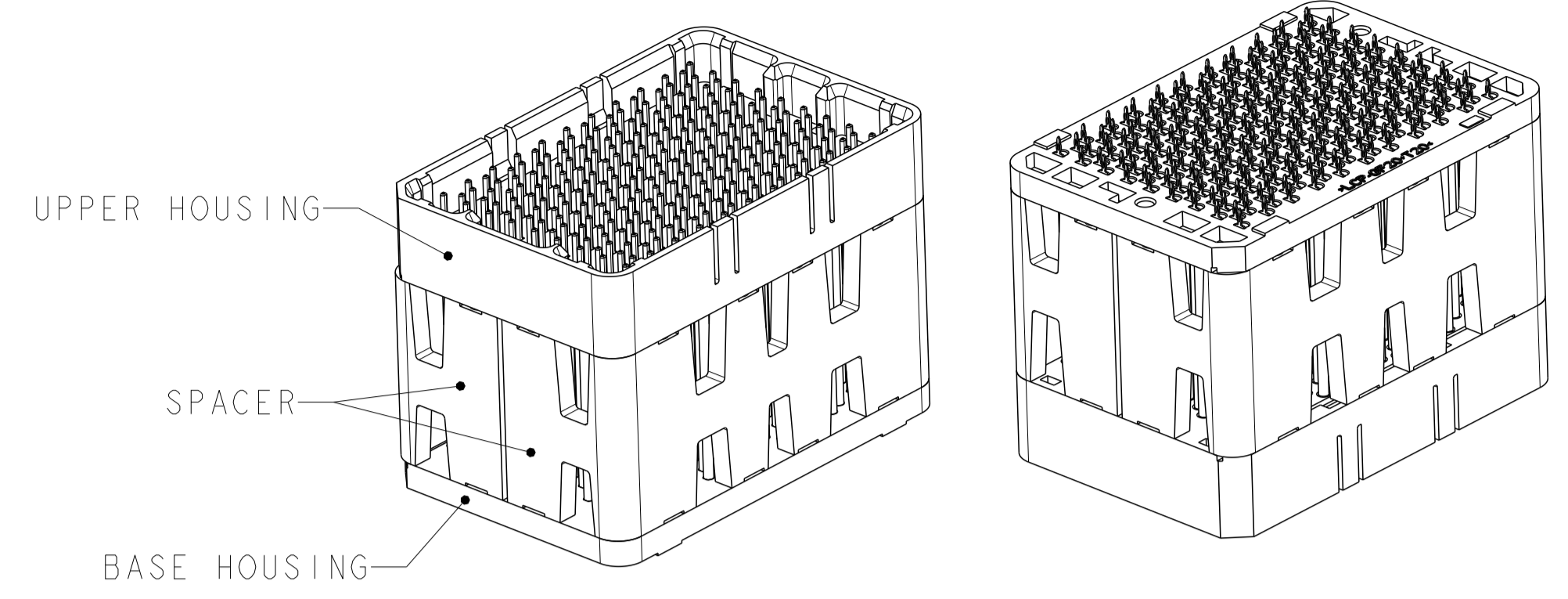
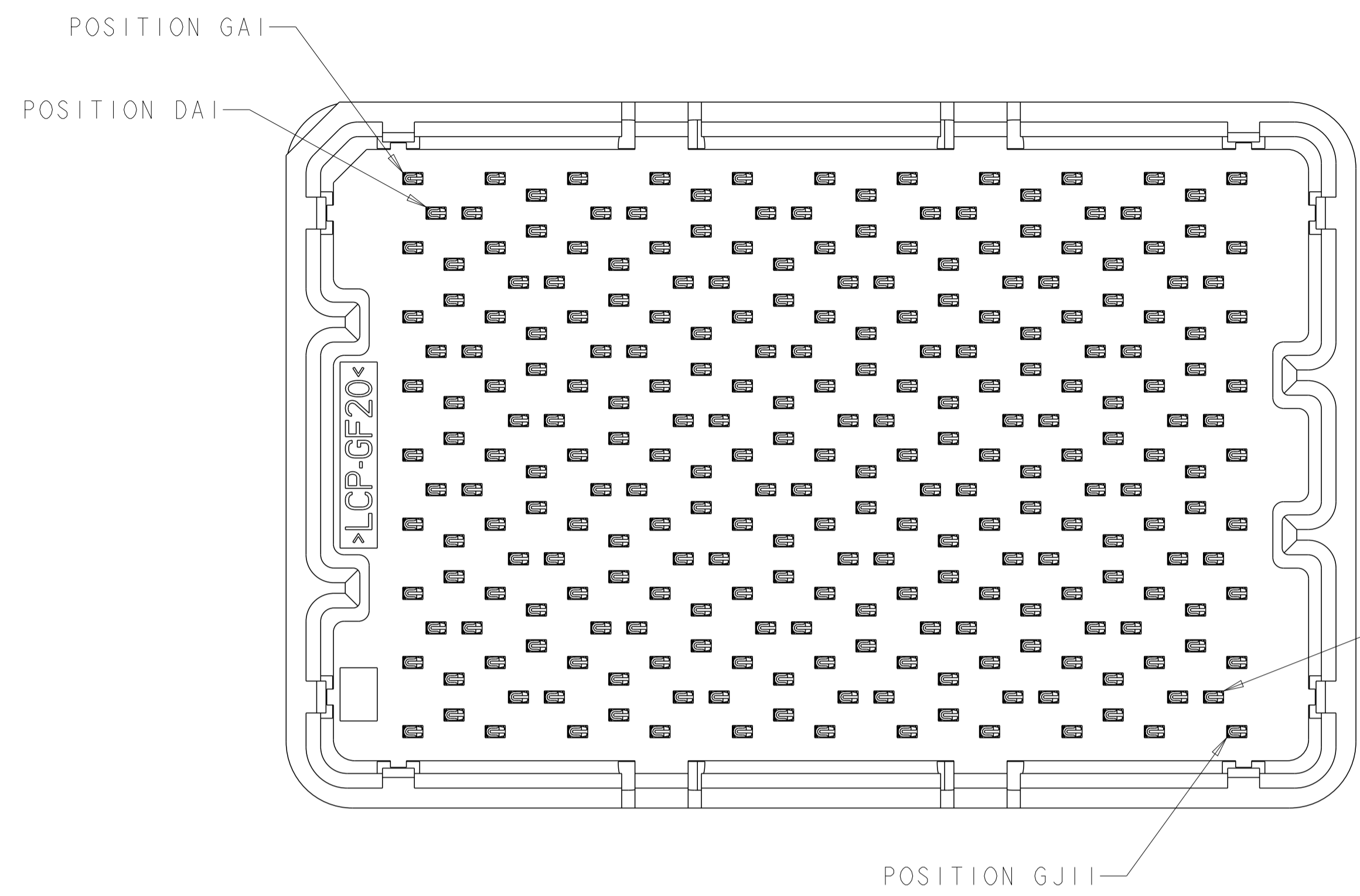
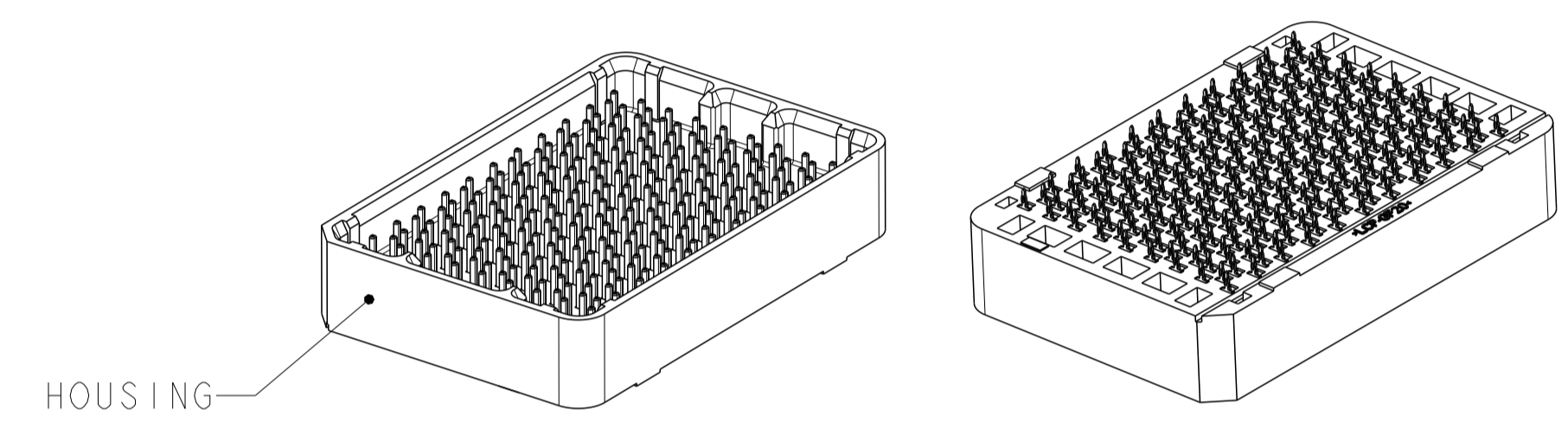


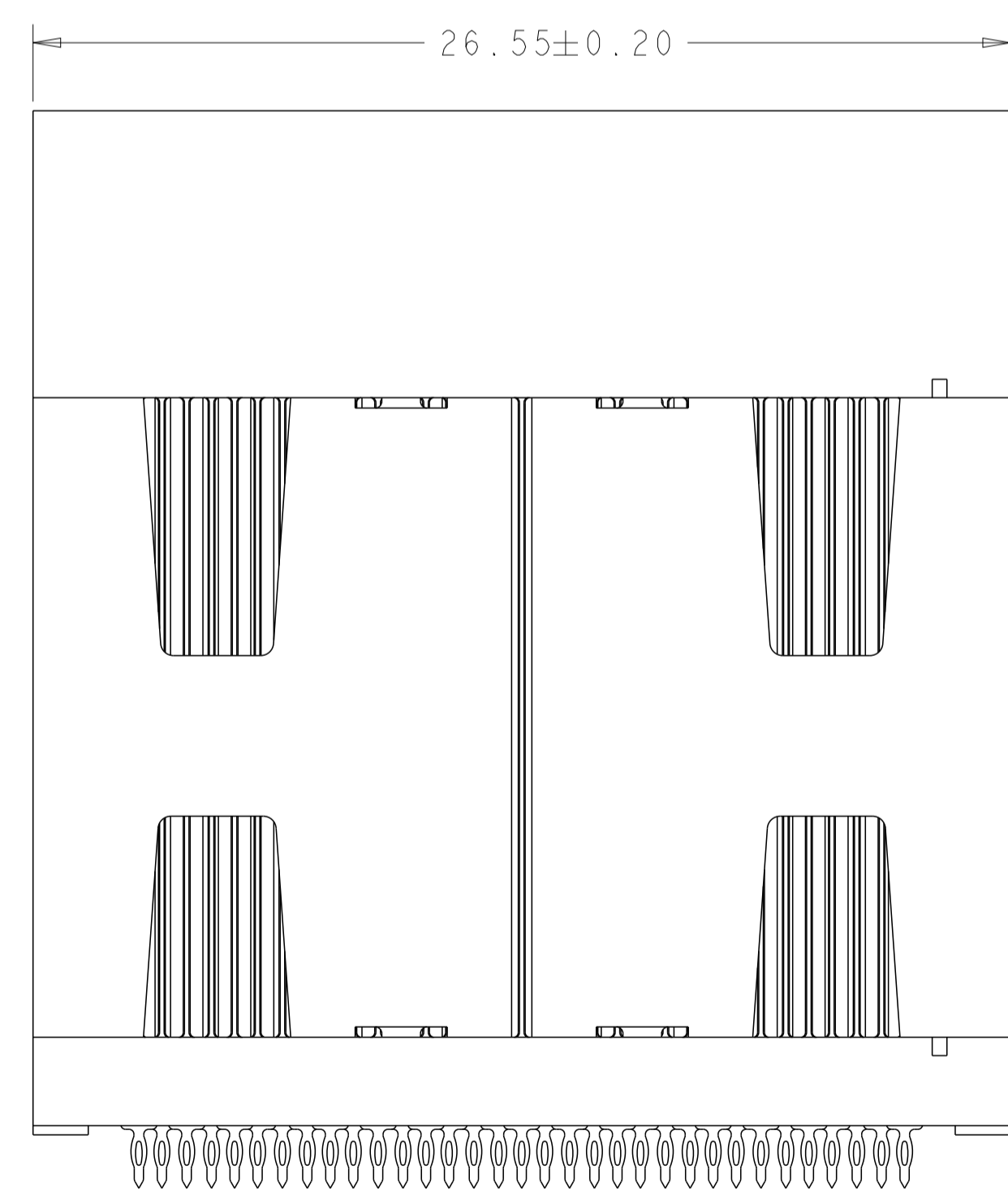
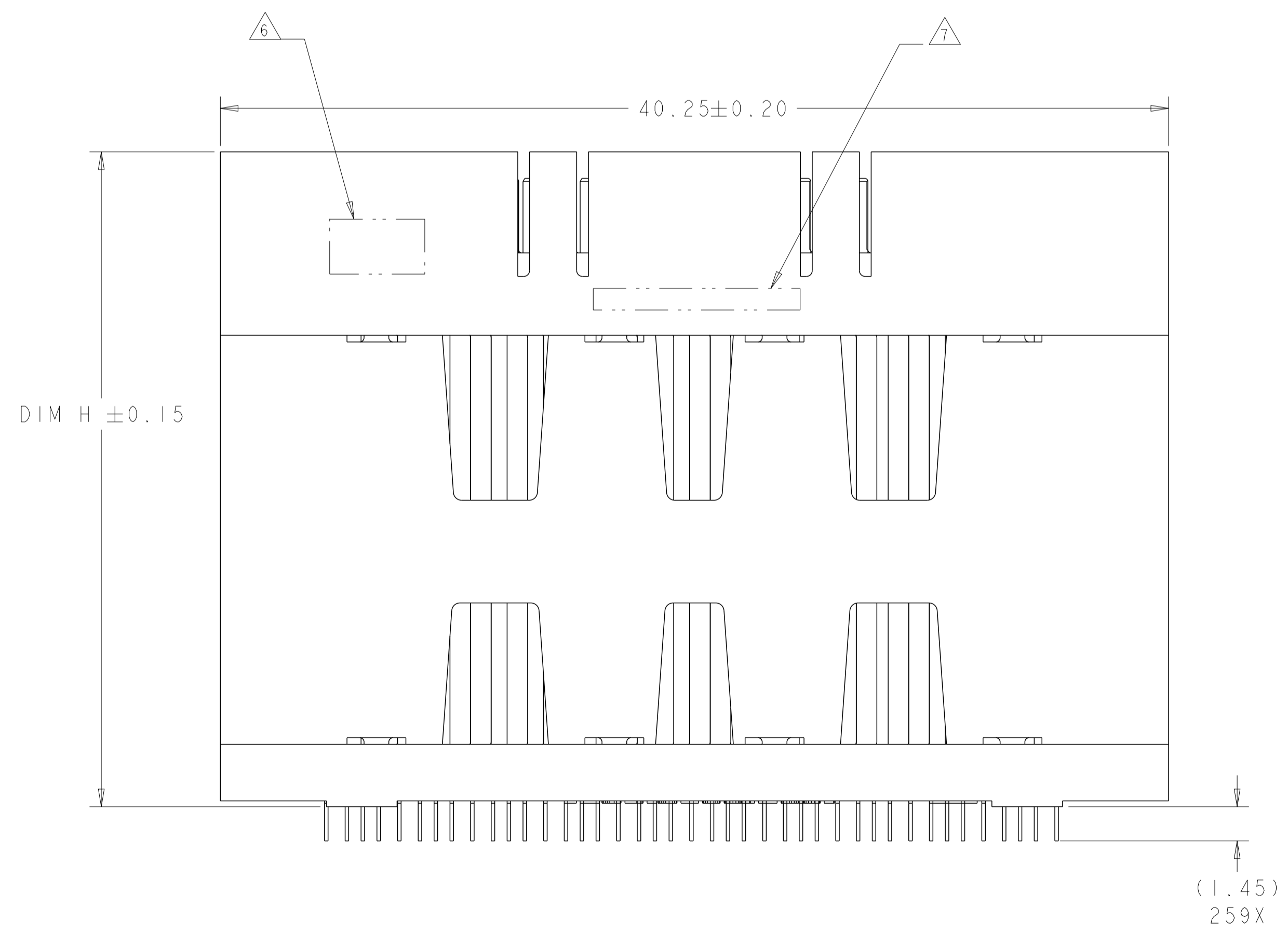
LOC	DIST	REVISIONS					
GP	00	P	LTN	DESCRIPTION	DATE	DWN	APVD
		A		REVISED PER ECO-12-018201	11OCT2012	KH	MH



ISOMETRIC VIEW  
 TYPICAL CONFIGURATION FOR 14mm THRU 42mm  
 28mm SHOWN  
 SCALE 2:1



ISOMETRIC VIEW  
 TYPICAL CONFIGURATION FOR 8mm THRU 13mm  
 8mm SHOWN  
 SCALE 2:1



- 1 MATERIAL:  
 BASE HOUSING, UPPER HOUSING, ORGANIZER,  
 AND SPACER: THERMOPLASTIC, FLAMMABILITY  
 RATING UL94-VO  
 CONTACT: COPPER ALLOY
- 2 CONTACT PLATING: 0.076µm MIN GOLD OVER 0.69µm  
 MIN PALLADIUM NICKEL, OVER 2.54-5.08µm NICKEL  
 ON MATING AREA. 0.50-2.54µm 93/7 TIN-LEAD,  
 OVER 1.27-5.08µm NICKEL ON TAIL AREA.  
 PORE BLOCKER APPLIED TO MATING AREA.
- 3 CONTACT PLATING: 0.076µm MIN GOLD OVER 0.69µm  
 MIN PALLADIUM NICKEL, OVER 2.54-5.08µm NICKEL  
 ON MATING AREA. 0.50-2.54µm MATTE TIN,  
 OVER 1.27-5.08µm NICKEL ON TAIL AREA.  
 PORE BLOCKER APPLIED TO MATING AREA.
- 4 ROWS GA THRU GJ (SHOWN DARKENED) ARE TYPICALLY  
 USED AS GROUNDS.
- 5 SPECIFIED POSITIONAL TOLERANCE DEFINES HOLE TO  
 HOLE LOCATION WITHIN HOLE PATTERN. POSITIONAL  
 TOLERANCE OF HOLE PATTERN TO FIDUCIAL MARKS  
 OR PCB DATUMS SHALL BE DEFINED BY CUSTOMER.
- 6 AREA RESERVED FOR TE CONNECTIVITY LOGO.
- 7 AREA RESERVED FOR PART NUMBER (X-XXXXXX-X)  
 AND DATE CODE (YYWW).
- 8 USE CENTERLINES INDICATED ON PCB HOLE PATTERN  
 TO ESTABLISH ALIGNMENT BETWEEN HEADER AND  
 RECEPTACLE BOARDS.
- 9 PLATED THROUGH HOLE REQUIREMENTS:  
 HOLE SIZE PRIOR TO PLATING =  $\varnothing 0.420 \pm 0.013$   
 COPPER PLATING THICKNESS =  $0.038 \pm 0.013$   
 CALCULATED FINISHED HOLE SIZE =  $\varnothing 0.344 \pm 0.039$   
 THESE DIMENSIONS APPLY TO THE TOP 1.25mm OF  
 THE PCB THICKNESS FROM THE CONNECTOR MOUNTING  
 SIDE.
- 10 CONTACT SALES FOR AVAILABILITY OF THIS STACK  
 HEIGHT.

**SIZE 2 HOUSING \***  
**80 DIFFERENTIAL PAIRS**  
**259 TOTAL SIGNAL CONTACTS**

\* SIZE 1 AND SIZE 3 ARE ALSO AVAILABLE

THIS DRAWING IS A CONTROLLED DOCUMENT.		DWN D. RINGLER 29AUG2008	TE Connectivity
DIMENSIONS:		CHK D. TROUT 29AUG2008	
TOLERANCES UNLESS OTHERWISE SPECIFIED:		APVD J. EDDER 29AUG2008	NAME
mm		PRODUCT SPEC	HEADER ASSEMBLY
0 PLC ±		APPLICATION SPEC	80/259 SIGNAL
1 PLC ±0.13		SIZE	STRADA MESA MEZZANINE CONNECTOR
2 PLC ±0.013		RESTRICTED TO	
3 PLC ±		SCALE	6:1
4 PLC ±		SHEET	1 OF 4
ANGLES ±1		REV	A
FINISH		Customer Drawing	

THIS DRAWING IS UNPUBLISHED. RELEASED FOR PUBLICATION 20  
COPYRIGHT 20 BY - ALL RIGHTS RESERVED.

LOC	DIST	REVISIONS					
GP	00	P	LYN	DESCRIPTION	DATE	OWN	APVD
		-		SEE SHEET 1			

3	10	41.8	42mm	MATTE Sn	9-2057360-2
3	10	40.8	41mm	MATTE Sn	9-2057360-1
3	YES	39.8	40mm	MATTE Sn	9-2057360-0
3	10	38.8	39mm	MATTE Sn	8-2057360-9
3	10	37.8	38mm	MATTE Sn	8-2057360-8
3	10	36.8	37mm	MATTE Sn	8-2057360-7
3	10	35.8	36mm	MATTE Sn	8-2057360-6
3	10	34.8	35mm	MATTE Sn	8-2057360-5
3	10	33.8	34mm	MATTE Sn	8-2057360-4
3	10	32.8	33mm	MATTE Sn	8-2057360-3
3	10	31.8	32mm	MATTE Sn	8-2057360-2
3	10	30.8	31mm	MATTE Sn	8-2057360-1
3	10	29.8	30mm	MATTE Sn	8-2057360-0
3	10	28.8	29mm	MATTE Sn	7-2057360-9
3	YES	27.8	28mm	MATTE Sn	7-2057360-8
3	10	26.8	27mm	MATTE Sn	7-2057360-7
3	10	25.8	26mm	MATTE Sn	7-2057360-6
3	10	24.8	25mm	MATTE Sn	7-2057360-5
3	10	23.8	24mm	MATTE Sn	7-2057360-4
3	YES	22.8	23mm	MATTE Sn	7-2057360-3
3	10	21.8	22mm	MATTE Sn	7-2057360-2
3	10	20.8	21mm	MATTE Sn	7-2057360-1
3	10	19.8	20mm	MATTE Sn	7-2057360-0
3	10	18.8	19mm	MATTE Sn	6-2057360-9
3	10	17.8	18mm	MATTE Sn	6-2057360-8
3	10	16.8	17mm	MATTE Sn	6-2057360-7
3	10	15.8	16mm	MATTE Sn	6-2057360-6
3	10	14.8	15mm	MATTE Sn	6-2057360-5
3	10	13.8	14mm	MATTE Sn	6-2057360-4
3	10	12.8	13mm	MATTE Sn	6-2057360-3
3	10	11.8	12mm	MATTE Sn	6-2057360-2
3	10	10.8	11mm	MATTE Sn	6-2057360-1
3	10	9.8	10mm	MATTE Sn	6-2057360-0
3	YES	8.8	9mm	MATTE Sn	5-2057360-9
3	10	7.8	8mm	MATTE Sn	5-2057360-8
FINISH	TOOLED	DIM H	STACK HEIGHT	CONTACT TAIL PLATING	PART NUMBER

2	10	41.8	42mm	Sn/Pb	4-2057360-2
2	10	40.8	41mm	Sn/Pb	4-2057360-1
2	YES	39.8	40mm	Sn/Pb	4-2057360-0
2	10	38.8	39mm	Sn/Pb	3-2057360-9
2	10	37.8	38mm	Sn/Pb	3-2057360-8
2	10	36.8	37mm	Sn/Pb	3-2057360-7
2	10	35.8	36mm	Sn/Pb	3-2057360-6
2	10	34.8	35mm	Sn/Pb	3-2057360-5
2	10	33.8	34mm	Sn/Pb	3-2057360-4
2	10	32.8	33mm	Sn/Pb	3-2057360-3
2	10	31.8	32mm	Sn/Pb	3-2057360-2
2	10	30.8	31mm	Sn/Pb	3-2057360-1
2	10	29.8	30mm	Sn/Pb	3-2057360-0
2	10	28.8	29mm	Sn/Pb	2-2057360-9
2	YES	27.8	28mm	Sn/Pb	2-2057360-8
2	10	26.8	27mm	Sn/Pb	2-2057360-7
2	10	25.8	26mm	Sn/Pb	2-2057360-6
2	10	24.8	25mm	Sn/Pb	2-2057360-5
2	10	23.8	24mm	Sn/Pb	2-2057360-4
2	YES	22.8	23mm	Sn/Pb	2-2057360-3
2	10	21.8	22mm	Sn/Pb	2-2057360-2
2	10	20.8	21mm	Sn/Pb	2-2057360-1
2	10	19.8	20mm	Sn/Pb	2-2057360-0
2	10	18.8	19mm	Sn/Pb	1-2057360-9
2	10	17.8	18mm	Sn/Pb	1-2057360-8
2	10	16.8	17mm	Sn/Pb	1-2057360-7
2	10	15.8	16mm	Sn/Pb	1-2057360-6
2	10	14.8	15mm	Sn/Pb	1-2057360-5
2	10	13.8	14mm	Sn/Pb	1-2057360-4
2	10	12.8	13mm	Sn/Pb	1-2057360-3
2	10	11.8	12mm	Sn/Pb	1-2057360-2
2	10	10.8	11mm	Sn/Pb	1-2057360-1
2	10	9.8	10mm	Sn/Pb	1-2057360-0
2	YES	8.8	9mm	Sn/Pb	2057360-9
2	10	7.8	8mm	Sn/Pb	2057360-8
FINISH	TOOLED	DIM H	STACK HEIGHT	CONTACT TAIL PLATING	PART NUMBER

THIS DRAWING IS A CONTROLLED DOCUMENT.

DWN: D. RINGLER 29AUG2008  
 CHK: D. TROUT 29AUG2008  
 APVD: J. FEDDER 29AUG2008

**STE** TE Connectivity  
 NAME: HEADER ASSEMBLY  
 80/259 SIGNAL  
 STRADA MESA MEZZANINE CONNECTOR

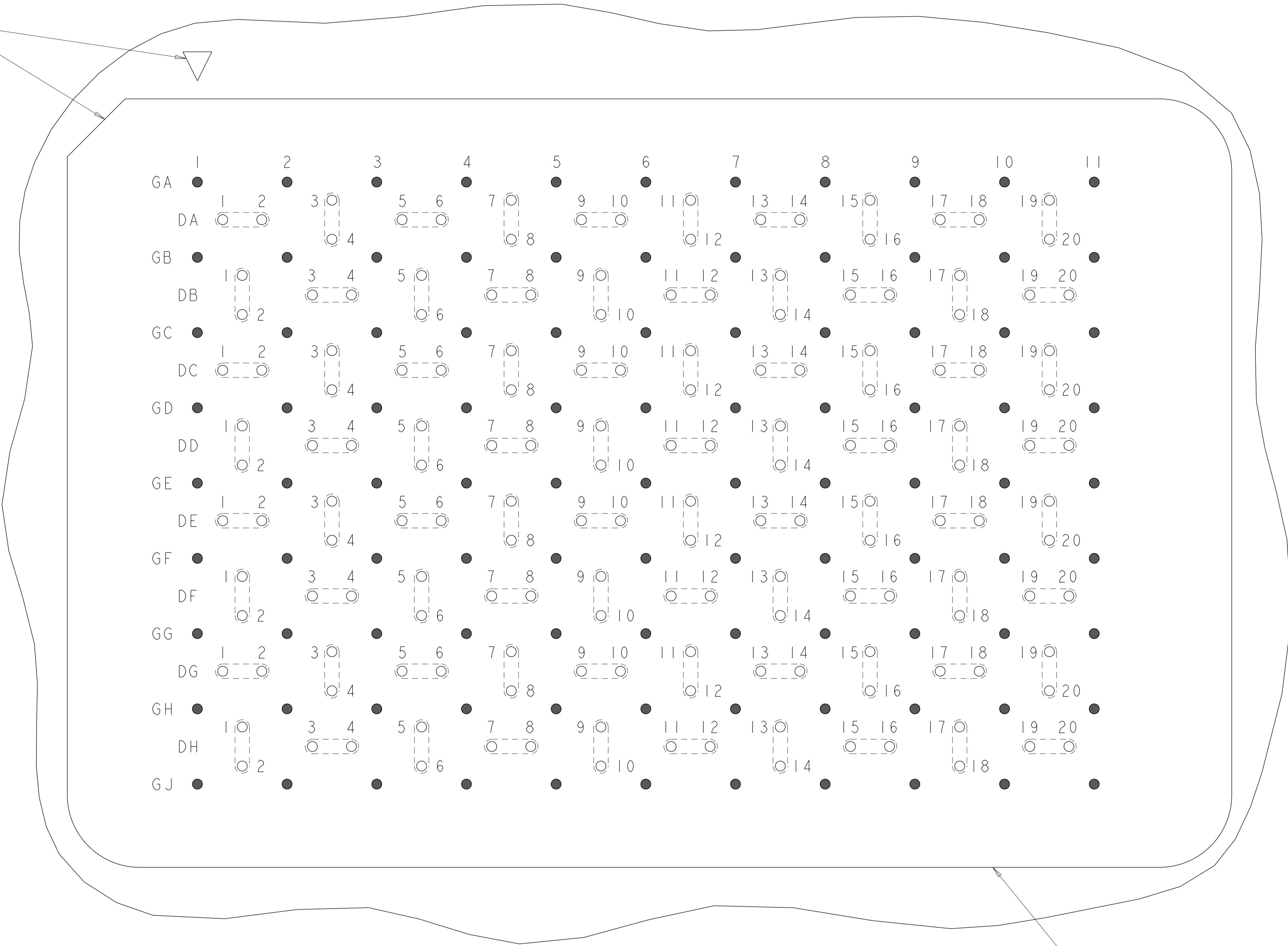
DIMENSIONS: mm  
 TOLERANCES UNLESS OTHERWISE SPECIFIED:  
 0 PLC ±  
 1 PLC ±0.13  
 2 PLC ±0.013  
 3 PLC ±  
 4 PLC ±  
 ANGLES ±1  
 FINISH

MATERIAL: -  
 WEIGHT: -  
 SCALE: 6:1  
 SHEET 2 OF 4  
 REV A

SIZE: A1  
 CAGE CODE: 114-13249  
 DRAWING NO: 108-2375  
 APPLICATION SPEC: 114-13249  
 CUSTOMER DRAWING: 2057360


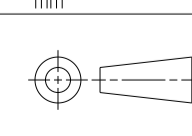
LOC	DIST	REVISIONS			
P	LTN	DESCRIPTION	DATE	DWN	APVD
-	-	SEE SHEET 1	-	-	-

A1 CORNER INDICATORS.

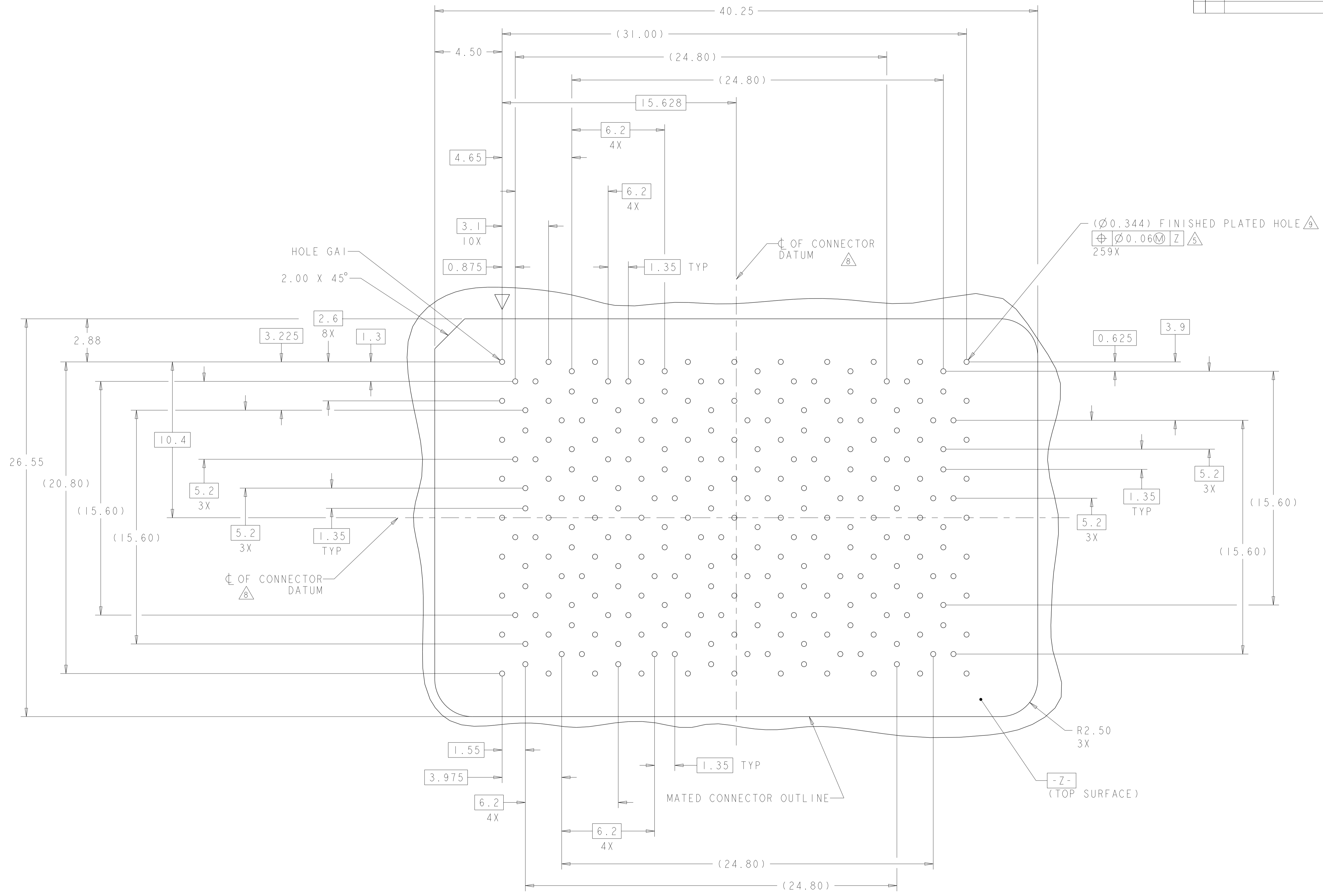


MATED CONNECTOR OUTLINE  
 SEE SHEET 4 FOR LOCATION TO HOLES

**PCB LAYOUT AND PIN IDENTIFICATION**   
 SHOWN FROM CONNECTOR SIDE  
 SCALE 12:1

THIS DRAWING IS A CONTROLLED DOCUMENT.		DWN D. RINGLER 29AUG2008	 TE Connectivity
DIMENSIONS:		CHK D. TROUT 29AUG2008	
mm	TOLERANCES UNLESS OTHERWISE SPECIFIED:	APVD J. FEDDER 29AUG2008	NAME HEADER ASSEMBLY 80/259 SIGNAL STRADA MESA MEZZANINE CONNECTOR
 0 PLC ± 2 PLC ±0.13 3 PLC ±0.013 4 PLC ± ANGLES ±1 FINISH	108-2375 APPLICATION SPEC 114-13249	SIZE A100779	RESTRICTED TO C=2057360
MATERIAL	WEIGHT	114-13249	Customer Drawing
SCALE 6:1		SHEET 3 OF 4	REV A

LOC		DIST		REVISIONS			
GP	00	P	LTH	DESCRIPTION	DATE	DWN	APVD
		-	-	SEE SHEET 1			



**PCB HOLE PATTERN**  
 SHOWN FROM CONNECTOR SIDE  
 SCALE 8:1

THIS DRAWING IS A CONTROLLED DOCUMENT.		DWN: D. RINGLER 29AUG2008	TE Connectivity NAME: HEADER ASSEMBLY 80/259 SIGNAL STRADA MESA MEZZANINE CONNECTOR
DIMENSIONS: mm		CHK: D. TROUT 29AUG2008	
0 PLC ± 2 PLC ±0.13 3 PLC ±0.013 4 PLC ± ANGLES ±1		APVD: J. FEDDER 29AUG2008 PRODUCT SPEC: 108-2375 APPLICATION SPEC: 114-13249 WEIGHT: -	
MATERIAL: -		SIZE: A1 00779	RESTRICTED TO: -
		Customer Drawing	SCALE: 6:1 SHEET 4 OF 4 REV A



## Стандарт Электрон Связь

Мы молодая и активно развивающаяся компания в области поставок электронных компонентов. Мы поставляем электронные компоненты отечественного и импортного производства напрямую от производителей и с крупнейших складов мира.

Благодаря сотрудничеству с мировыми поставщиками мы осуществляем комплексные и плановые поставки широчайшего спектра электронных компонентов.

Собственная эффективная логистика и склад в обеспечивает надежную поставку продукции в точно указанные сроки по всей России.

Мы осуществляем техническую поддержку нашим клиентам и предпродажную проверку качества продукции. На все поставляемые продукты мы предоставляем гарантию .

Осуществляем поставки продукции под контролем ВП МО РФ на предприятия военно-промышленного комплекса России , а также работаем в рамках 275 ФЗ с открытием отдельных счетов в уполномоченном банке. Система менеджмента качества компании соответствует требованиям ГОСТ ISO 9001.

Минимальные сроки поставки, гибкие цены, неограниченный ассортимент и индивидуальный подход к клиентам являются основой для выстраивания долгосрочного и эффективного сотрудничества с предприятиями радиоэлектронной промышленности, предприятиями ВПК и научно-исследовательскими институтами России.

С нами вы становитесь еще успешнее!

### Наши контакты:

**Телефон:** +7 812 627 14 35

**Электронная почта:** [sales@st-electron.ru](mailto:sales@st-electron.ru)

**Адрес:** 198099, Санкт-Петербург,  
Промышленная ул, дом № 19, литера Н,  
помещение 100-Н Офис 331