

**PLEASE CHECK WWW.MOLEX.COM FOR LATEST PART INFORMATION**

**Part Number:** [0751992512](#)  
**Status:** **Active**  
**Overview:** vhdm\_hsd  
**Description:** 2.00mm (.079") Pitch 8-Row VHDM® Lite Backplane Header, Guide Pin Signal Module, Shield End Version, 200 Circuits, Pin Length 6.25mm (.246")

**Documents:**

[Drawing \(PDF\)](#) [RoHS Certificate of Compliance \(PDF\)](#)  
[Product Specification PS-74031-999 \(PDF\)](#)

**General**

Product Family	Backplane Connectors
Series	<a href="#">75199</a>
Application	Backplane
Application Tooling Documents	<a href="http://www.molex.com/pdm_docs/ats/TM-622010999.pdf">Tooling Manual</a>
Comments	Keying Position A
Component Type	PCB Header
Overview	<a href="#">vhdm_hsd</a>
Product Name	VHDM Lite®
Style	N/A

**Physical**

Circuits (Loaded)	200
Circuits (maximum)	200
Color - Resin	Black
Durability (mating cycles max)	200
First Mate / Last Break	No
Guide to Mating Part	Yes
Keying to Mating Part	Yes
Material - Metal	High Performance Alloy (HPA), Stainless Steel
Material - Plating Mating	Gold
Material - Plating Termination	Tin-Lead
Material - Resin	High Temperature Thermoplastic
Number of Columns	25
Number of Pairs	Open Pin Field
Number of Rows	8
Orientation	Vertical
PCB Retention	Yes
PCB Thickness Recommended (in)	0.070 In
PCB Thickness Recommended (mm)	1.80 mm
Packaging Type	Tube
Pitch - Mating Interface (in)	0.079 In
Pitch - Mating Interface (mm)	2.00 mm
Plating min: Mating (µin)	30
Plating min: Mating (µm)	0.75
Plating min: Termination (µin)	30
Plating min: Termination (µm)	0.75
Polarized to PCB	Yes
Stackable	Yes
Surface Mount Compatible (SMC)	Yes
Temperature Range - Operating	-55°C to +105°C
Termination Interface: Style	Through Hole - Compliant Pin

**Electrical**

Current - Maximum per Contact	1A
-------------------------------	----

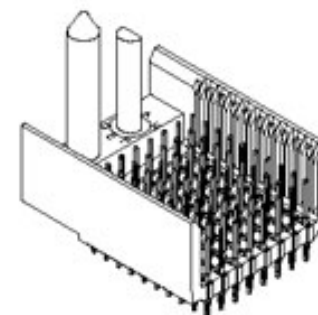


image - Reference only

Series

**EU RoHS**

**RoHS Compliant by Exemption**  
**REACH SVHC**  
**Contains SVHC: No**  
**Halogen-Free**  
**Status**  
**Halogen-Free**

**China RoHS**



**Need more information on product environmental compliance?**

Email [productcompliance@molex.com](mailto:productcompliance@molex.com)  
 For a multiple part number RoHS Certificate of Compliance, [click here](#)

Please visit the [Contact Us](#) section for any non-product compliance questions.

**Search Parts in this Series**

[75199Series](#)

**Mates With**

[75191](#) VHDM® Lite-Series Board-to-Board Daughtercard

**Use With**

Daughtercard Modules

**Application Tooling | FAQ**

*Tooling specifications and manuals are found by selecting the products below. Crimp Height Specifications are then contained in the Application Tooling Specification document.*

**Global**

<b>Description</b>	<b>Product #</b>
VHDM® Signal Pin Inserter Repair Tool	<a href="#">0622015700</a>

Data Rate	622.0 Mbps
Real Signals (per 25mm)	72
Voltage - Maximum	120V AC (RMS)/DC

### **Material Info**

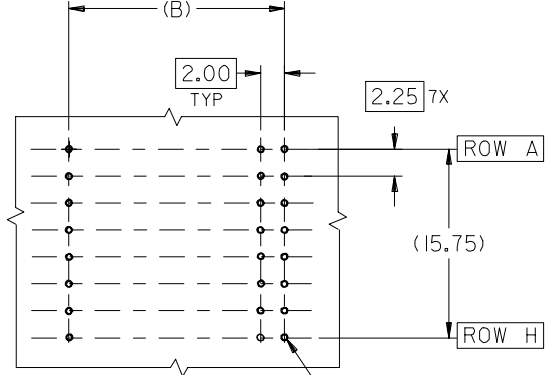
### **Reference - Drawing Numbers**

Packaging Specification	PK-74061-003
Product Specification	PS-74031-999
Sales Drawing	SD-75199-001

VHDM and Very High Density Metric are trademarks of Amphenol Corporation

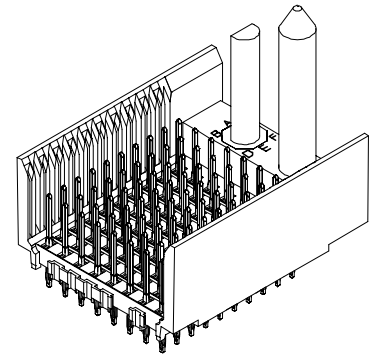
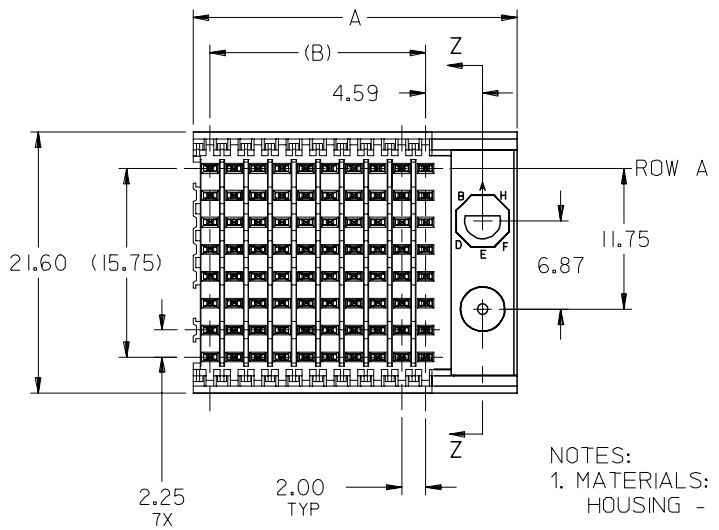
This document was generated on 05/28/2010

**PLEASE CHECK [WWW.MOLEX.COM](http://WWW.MOLEX.COM) FOR LATEST PART INFORMATION**

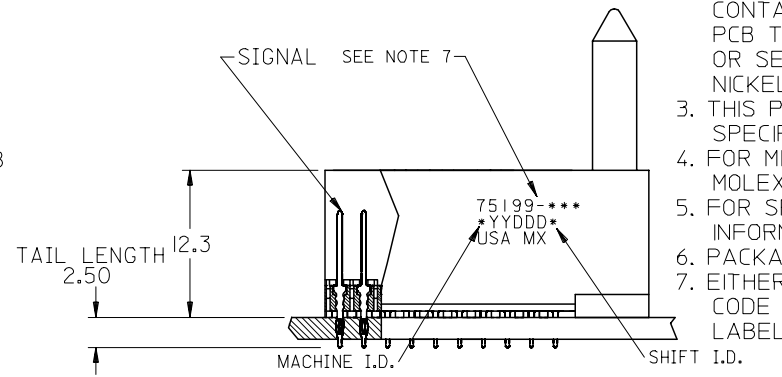
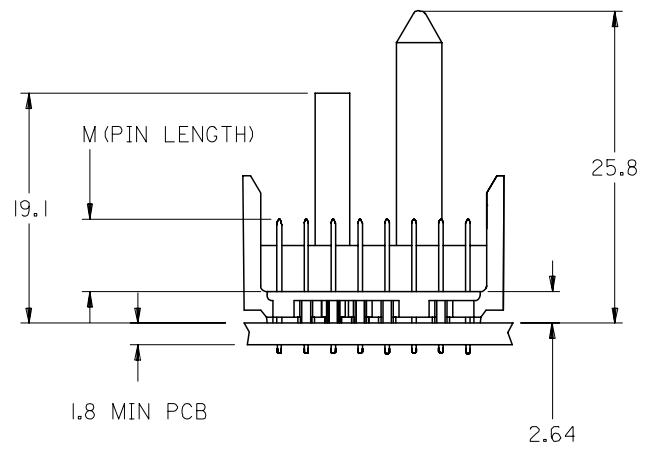


BACKPLANE HOLE PATTERN  
RECOMMENDED DIMENSION

- Ø 0.56 ±0.05 PTH
- Ø 0.66 DRILL
- Ø 1.00 PAD
- ⊕ Ø 0.10

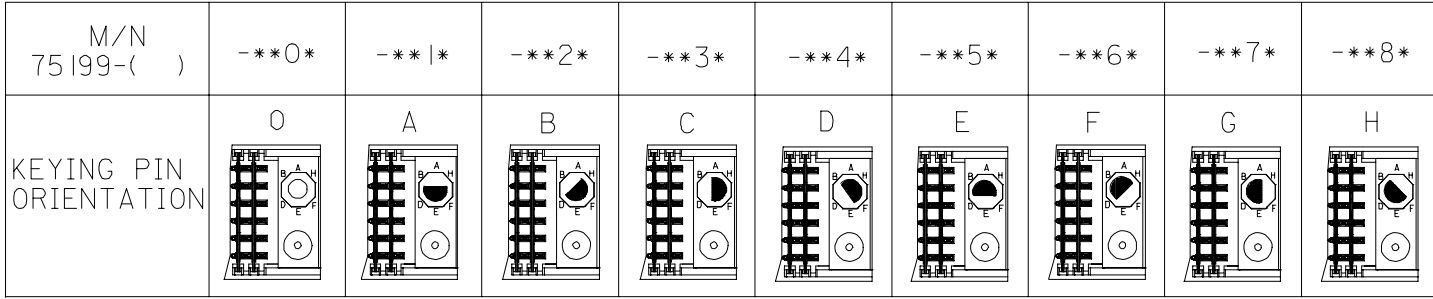


- NOTES:
- MATERIALS:  
HOUSING - LIQUID CRYSTAL POLYMER (LCP),  
GLASS-FILLED, UL 94V-0, COLOR: BLACK  
SIGNAL PIN - COPPER ALLOY
  - FINISHES:  
CONTACT AREA: SELECTIVE GOLD (Au)  
PCB TAILS: SELECTIVE TIN/LEAD (Sn/Pb)  
OR SELECTIVE MATTE TIN (Sn)  
NICKEL (Ni) OVERALL.
  - THIS PART CONFORMS TO MOLEX PRODUCT SPECIFICATION PS-74031-999
  - FOR MIXED CONTACT LENGTHS CONSULT MOLEX FOR AVAILABILITY
  - FOR SPECIFIC MATERIAL NUMBERS & MATING INFORMATION REFER TO SHEET 2
  - PACKAGE PER PK-74061-003
  - EITHER MARK PART WITH PART NUMBER & DATE CODE APPROXIMATELY WHERE SHOWN OR PLACE LABEL ON THE TUBE.



ADD LEADFREE PINS EC NO: UCP2006-0059 DRWN: KMULVEY 2005/07/13 CHKD: 2005/07/13 APPR: SREED 2005/07/15	DESCRIPTION REV	QUALITY SYMBOLS	GENERAL TOLERANCES (UNLESS SPECIFIED)	DIMENSION STYLE	SCALE	DESIGN UNITS	THIRD ANGLE PROJECTION																
		$\nabla=0$ $\nabla=0$	<table border="1"> <thead> <tr> <th></th> <th>mm</th> <th>INCH</th> </tr> </thead> <tbody> <tr> <td>4 PLACES</td> <td>± ---</td> <td>± ---</td> </tr> <tr> <td>3 PLACES</td> <td>± ---</td> <td>± ---</td> </tr> <tr> <td>2 PLACES</td> <td>± ---</td> <td>± ---</td> </tr> <tr> <td>1 PLACE</td> <td>± ---</td> <td>± ---</td> </tr> </tbody> </table>		mm	INCH	4 PLACES	± ---	± ---	3 PLACES	± ---	± ---	2 PLACES	± ---	± ---	1 PLACE	± ---	± ---	MM ONLY	2.5:1	METRIC		
			mm	INCH																			
		4 PLACES	± ---	± ---																			
3 PLACES	± ---	± ---																					
2 PLACES	± ---	± ---																					
1 PLACE	± ---	± ---																					
<table border="1"> <thead> <tr> <th>DATE</th> <th>DATE</th> <th>DATE</th> <th>DATE</th> </tr> </thead> <tbody> <tr> <td>MBANDURA 2002/10/17</td> <td>CHECKED BY</td> <td>DATE</td> <td></td> </tr> <tr> <td></td> <td>NMARTIN</td> <td>2002/10/17</td> <td></td> </tr> <tr> <td>APPROVED BY</td> <td>DATE</td> <td></td> <td></td> </tr> <tr> <td>CBIXLER</td> <td>2002/10/17</td> <td></td> <td></td> </tr> </tbody> </table>	DATE	DATE	DATE	DATE	MBANDURA 2002/10/17	CHECKED BY	DATE			NMARTIN	2002/10/17		APPROVED BY	DATE			CBIXLER	2002/10/17			TITLE	<b>VHDM LITE 8 ROW SHIELD END BACKPLANE SALES ASSEMBLY</b>	
DATE	DATE	DATE	DATE																				
MBANDURA 2002/10/17	CHECKED BY	DATE																					
	NMARTIN	2002/10/17																					
APPROVED BY	DATE																						
CBIXLER	2002/10/17																						
DRAFT WHERE APPLICABLE MUST REMAIN WITHIN DIMENSIONS		MATERIAL NO.	DOCUMENT NO.	MOLEX INCORPORATED		SHEET NO. 1 OF 2																	

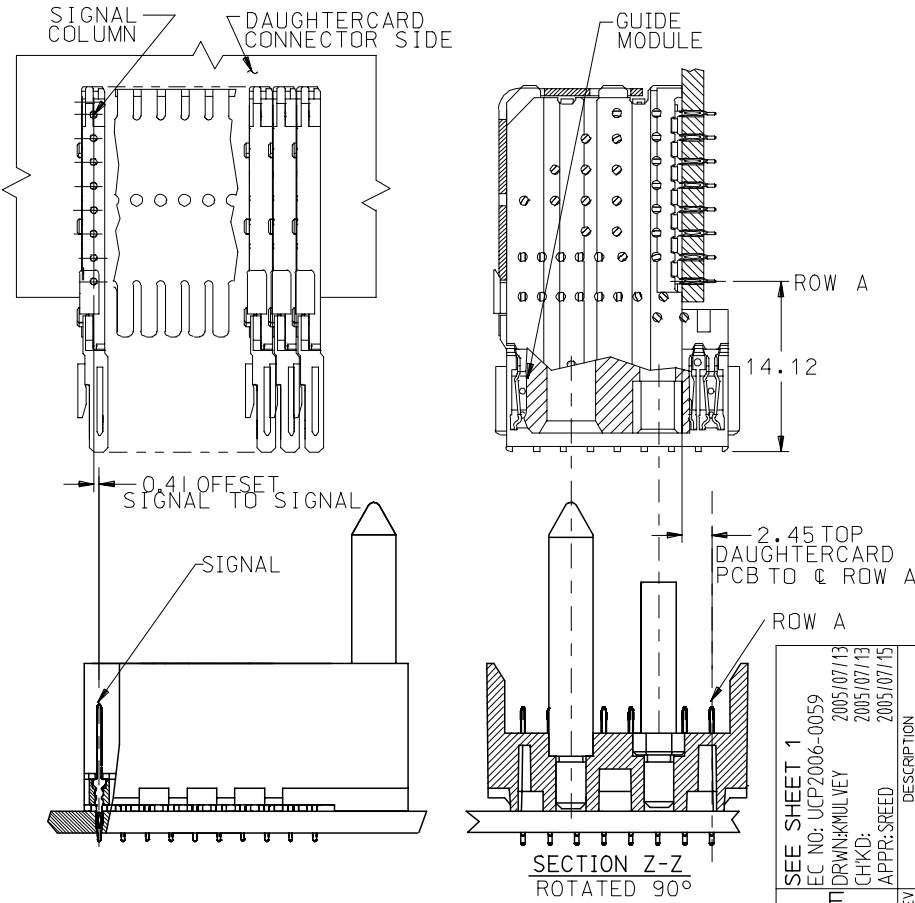
10 9 8 7 6 5 4 3 2 1



75199 - \* \* \* \*

NUMBER OF COLUMNS/PLATING  
 10 = 10 COLUMN TIN/LEAD  
 25 = 25 COLUMN TIN/LEAD  
 90 = 10 COLUMN MATTE TIN  
 85 = 25 COLUMN MATTE TIN

CONTACT LOAD (PIN HEIGHT)  
 1 = 4.75  
 2 = 6.25  
 3 = 4.25  
 4 = 5.15



PART NUMBER	COLUMN	NUMBER OF SIGNAL PIN	NUMBER OF SHIELD	A	B	M	Au (um) THICKNESS	Sn (um) THICKNESS
75199-0*1	10	80	0	27.00	18.00	4.75	0.76	0.76-1.52
75199-5*1	25	200	0	57.00	48.00	4.75	0.76	
75199-0*2	10	80	0	27.00	18.00	6.25	0.76	
75199-5*2	25	200	0	57.00	48.00	6.25	0.76	
75199-0*3	10	80	0	27.00	18.00	4.25	0.76	
75199-5*3	25	200	0	57.00	48.00	4.25	0.76	
75199-0*4	10	80	0	27.00	18.00	5.15	0.76	
75199-5*4	25	200	0	57.00	48.00	5.15	0.76	

SEE SHEET 1  
 EC NO: UCP2006-0059  
 DRWNG: KMLVEY 2005/07/13  
 CHKD: 2005/07/13  
 APPR: SREED 2005/07/15

QUALITY SYMBOLS 	GENERAL TOLERANCES (UNLESS SPECIFIED)	DIMENSION STYLE MM ONLY	SCALE 2.5:1	DESIGN UNITS METRIC	THIRD ANGLE PROJECTION																										
	<table border="1"> <tr> <th></th> <th>mm</th> <th>INCH</th> </tr> <tr> <td>4 PLACES</td> <td>± ---</td> <td>± ---</td> </tr> <tr> <td>3 PLACES</td> <td>± ---</td> <td>± ---</td> </tr> <tr> <td>2 PLACES</td> <td>± ---</td> <td>± ---</td> </tr> <tr> <td>1 PLACE</td> <td>± ---</td> <td>± ---</td> </tr> </table>		mm	INCH	4 PLACES	± ---	± ---	3 PLACES	± ---	± ---	2 PLACES	± ---	± ---	1 PLACE	± ---	± ---	<table border="1"> <tr> <th>DRAWN BY</th> <th>DATE</th> </tr> <tr> <td>MBANDURA</td> <td>2002/10/17</td> </tr> <tr> <th>CHECKED BY</th> <th>DATE</th> </tr> <tr> <td>NMARTIN</td> <td>2002/10/17</td> </tr> <tr> <th>APPROVED BY</th> <th>DATE</th> </tr> <tr> <td>CBIXLER</td> <td>2002/10/17</td> </tr> </table>	DRAWN BY	DATE	MBANDURA	2002/10/17	CHECKED BY	DATE	NMARTIN	2002/10/17	APPROVED BY	DATE	CBIXLER	2002/10/17	TITLE VHDM LITE 8 ROW SHIELD END BACKPLANE SALES ASSEMBLY	
	mm	INCH																													
4 PLACES	± ---	± ---																													
3 PLACES	± ---	± ---																													
2 PLACES	± ---	± ---																													
1 PLACE	± ---	± ---																													
DRAWN BY	DATE																														
MBANDURA	2002/10/17																														
CHECKED BY	DATE																														
NMARTIN	2002/10/17																														
APPROVED BY	DATE																														
CBIXLER	2002/10/17																														
DRAFT WHERE APPLICABLE MUST REMAIN WITHIN DIMENSIONS		MATERIAL NO. SEE CHART SIZE B THIS DRAWING CONTAINS INFORMATION THAT IS PROPRIETARY TO MOLEX INCORPORATED AND SHOULD NOT BE USED WITHOUT WRITTEN PERMISSION																													

9 8 7 6 5 4 3 2 1



## Стандарт Электрон Связь

Мы молодая и активно развивающаяся компания в области поставок электронных компонентов. Мы поставляем электронные компоненты отечественного и импортного производства напрямую от производителей и с крупнейших складов мира.

Благодаря сотрудничеству с мировыми поставщиками мы осуществляем комплексные и плановые поставки широчайшего спектра электронных компонентов.

Собственная эффективная логистика и склад в обеспечивает надежную поставку продукции в точно указанные сроки по всей России.

Мы осуществляем техническую поддержку нашим клиентам и предпродажную проверку качества продукции. На все поставляемые продукты мы предоставляем гарантию .

Осуществляем поставки продукции под контролем ВП МО РФ на предприятия военно-промышленного комплекса России , а также работаем в рамках 275 ФЗ с открытием отдельных счетов в уполномоченном банке. Система менеджмента качества компании соответствует требованиям ГОСТ ISO 9001.

Минимальные сроки поставки, гибкие цены, неограниченный ассортимент и индивидуальный подход к клиентам являются основой для выстраивания долгосрочного и эффективного сотрудничества с предприятиями радиоэлектронной промышленности, предприятиями ВПК и научно-исследовательскими институтами России.

С нами вы становитесь еще успешнее!

### Наши контакты:

**Телефон:** +7 812 627 14 35

**Электронная почта:** [sales@st-electron.ru](mailto:sales@st-electron.ru)

**Адрес:** 198099, Санкт-Петербург,  
Промышленная ул, дом № 19, литера Н,  
помещение 100-Н Офис 331