

PLEASE CHECK WWW.MOLEX.COM FOR LATEST PART INFORMATION

Part Number: **0740298450**
Status: **Active**
Overview: vhdm
Description: 2.00mm (.079") Pitch VHDM® Board-to-Board Backplane Receptacle Power Module, Vertical, 8-Row, 2 Circuits, Pin 2 Voided, Gold (Au) Selective 1.27µm (50µ")

Documents:

[3D Model](#) [Product Specification PS-74031-999 \(PDF\)](#)
[Drawing \(PDF\)](#) [RoHS Certificate of Compliance \(PDF\)](#)
[Packaging Specification \(PDF\)](#)

Agency Certification

UL E29179

General

Product Family Backplane Connectors
 Series [74029](#)
 Application Backplane
 Application Tooling Documents [Tooling Manual](http://www.molex.com/pdm_docs/ats/TM-622010999.pdf)
 Comments Backplane Receptacle Module, Power
 Component Type Power Receptacle
 Overview [vhdm](#)
 Product Name VHDM®
 Style N/A

Physical

Circuits (Loaded) 2
 Circuits (maximum) 3
 Circuits Detail Pin 2 voided
 Color - Resin Black
 Durability (mating cycles max) 200
 First Mate / Last Break No
 Flammability 94V-0
 Guide to Mating Part No
 Keying to Mating Part None
 Material - Metal High Performance Alloy (HPA)
 Material - Plating Mating Gold
 Material - Plating Termination Tin-Lead
 Material - Resin High Temperature Thermoplastic
 Number of Columns N/A
 Number of Pairs Open Pin Field
 Number of Rows 8
 Orientation Vertical
 PC Tail Length (in) 0.110 In
 PC Tail Length (mm) 2.80 mm
 PCB Locator No
 PCB Retention None
 PCB Thickness Recommended (in) 0.070 In
 PCB Thickness Recommended (mm) 1.80 mm
 Packaging Type Tube
 Pitch - Mating Interface (in) 0.079 In
 Pitch - Mating Interface (mm) 2.00 mm
 Pitch - Term. Interface (in) 0.157 In
 Pitch - Term. Interface (mm) 4.00 mm
 Plating min: Mating (µin) 50

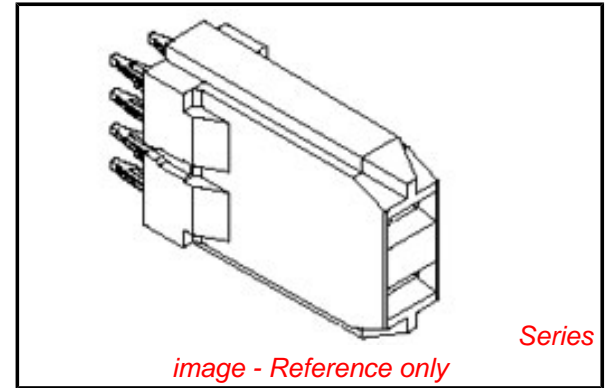


image - Reference only

EU RoHS

RoHS Compliant by Exemption

REACH SVHC

Contains SVHC: No

Halogen-Free

Status

Halogen-Free

China RoHS



Pb

Need more information on product environmental compliance?

Email productcompliance@molex.com
 For a multiple part number RoHS Certificate of Compliance, [click here](#)

Please visit the [Contact Us](#) section for any non-product compliance questions.

Search Parts in this Series

[74029Series](#)

Mates With

[74026 VHDM® Board-to-Board Daughtercard Receptacle](#)

Application Tooling | FAQ

Tooling specifications and manuals are found by selecting the products below. Crimp Height Specifications are then contained in the Application Tooling Specification document.

Global

Description	Product #
VHDM® Backplane 6 and 8 Row Power Module Insertion Tool	0622020211

Plating min: Mating (μm)	1.25
Plating min: Termination (μin)	15
Plating min: Termination (μm)	0.375
Polarized to PCB	Yes
Stackable	No
Surface Mount Compatible (SMC)	Yes
Temperature Range - Operating	-55°C to +105°C
Termination Interface: Style	Through Hole - Compliant Pin

Electrical

Current - Maximum per Contact	10A
Data Rate	2.5 Gbps
Real Signals (per 25mm)	100
Shielded	No
Voltage - Maximum	250V

Material Info

Reference - Drawing Numbers

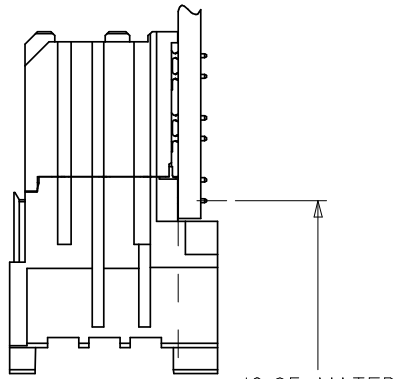
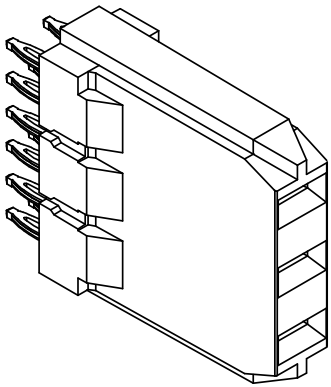
Packaging Specification	PK-70873-0876
Product Specification	PS-74031-999
Sales Drawing	SD-74029-002, SD-74029-009

VHDM and Very High Density Metric are trademarks of Amphenol Corporation

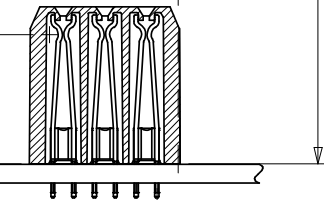
This document was generated on 05/19/2010

PLEASE CHECK WWW.MOLEX.COM FOR LATEST PART INFORMATION

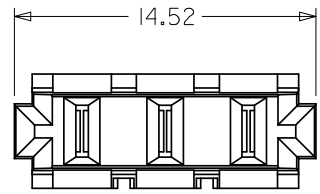
10 9 8 7 6 5 4 3 2



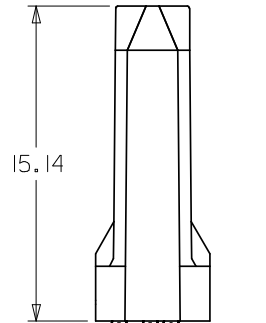
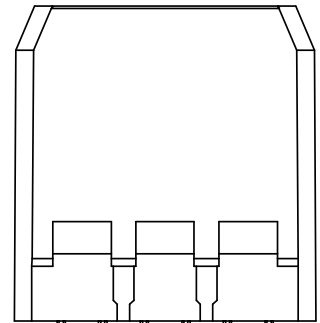
16.85 MATED



12.44 MAX.
NOTE 6
REF.



14.52



15.14

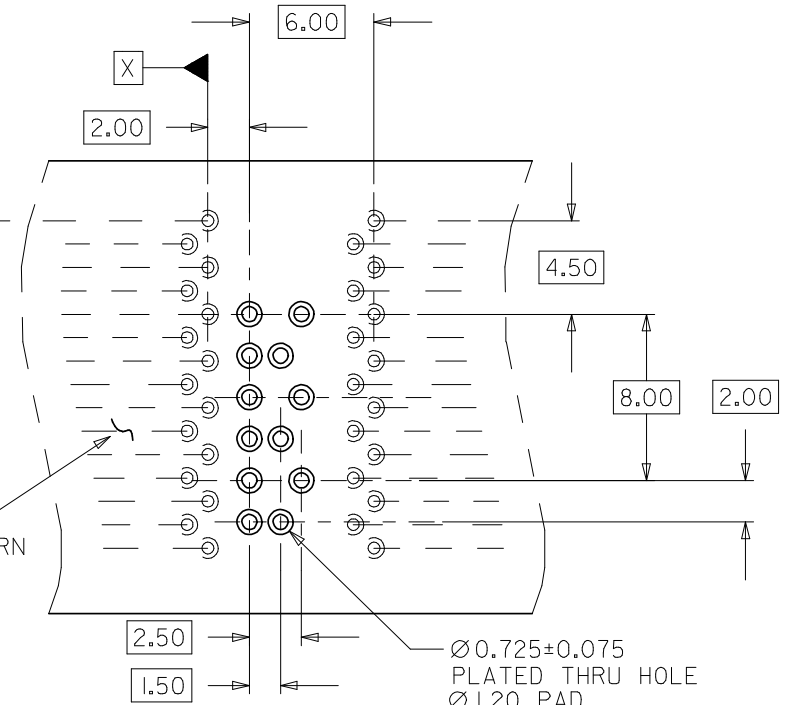
NOTES:

1. MATERIALS:
HOUSING - LIQUID CRYSTAL POLYMER (LCP)
UL94 V-0 RATED, COLOR: BLACK
TERMINAL - COPPER ALLOY
2. FINISH: 30 MICROINCH MIN GOLD ON MATING SURFACE;
TIN/LEAD ON TAILS; NICKEL OVERALL.
3. FINISH: 50 MICROINCH MIN GOLD ON MATING SURFACE;
TIN/LEAD ON TAILS; NICKEL OVERALL.
4. THIS PART CONFORMS TO PRODUCT SPECIFICATION
PS-74031-999.
5. USE 6.00 mm NOMINAL FOR BACKPLANE LAYOUT.
6. DIMENSION MEASURED FROM BOTTOM OF HOUSING.
7. PACKED PER PK-70873-0876.
8. CONTACT NOT PRESENT AT POSITION ON
-84** ASSEMBLIES.

SIGNAL
ROW A

Y

REFERENCE
SIGNAL PATTERN



⊕ Ø0.15 X Y

ASSEMBLY #	CONTACT PLATING	OPEN LOC.	# CONTACTS
74029-8000	SEE NOTE 2	N/A	3
74029-8050	SEE NOTE 3	N/A	
74029-8400	SEE NOTE 2	POS. 2	2
74029-8450	SEE NOTE 3	POS. 2	
74029-8401	SEE NOTE 2	POS. 1	
74029-8451	SEE NOTE 3	POS. 1	
74029-8403	SEE NOTE 2	POS. 3	
74029-8453	SEE NOTE 3	POS. 3	

(POSITION 3)

(POSITION 2)

(POSITION 1)

SEE NOTE 8 & CHART

1.14

2.64

3.64

5.50

SEE NOTE 5

REDRAWN	DESCRIPTION
EC NO: UCP2008-1963	
DRWN: JBINGHAM 2008/02/18	
CHKD: JBINGHAM 2008/02/18	
APPR: JLAURX 2008/02/18	
REV	

QUALITY
SYMBOLS

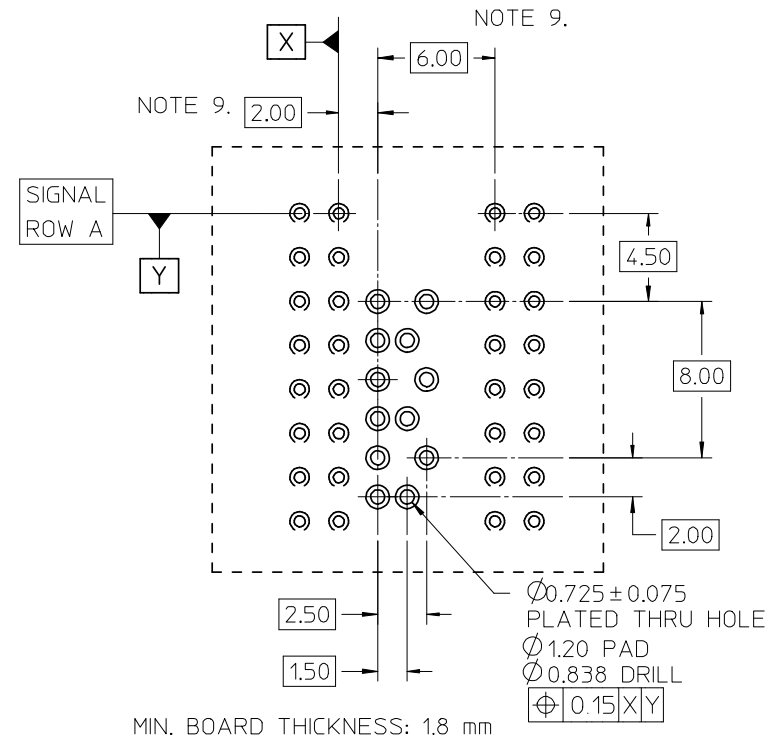
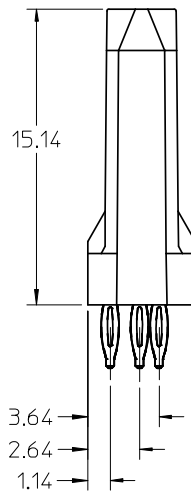
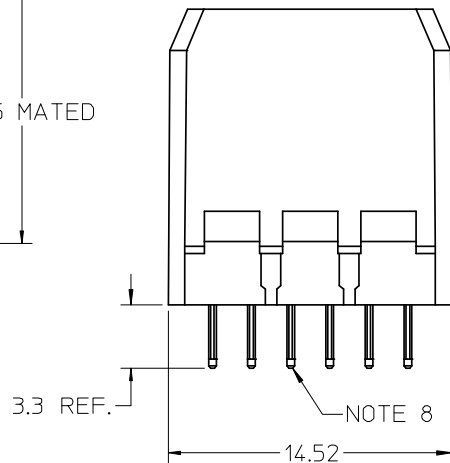
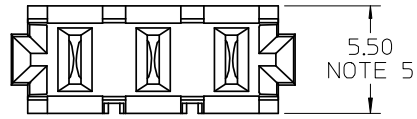
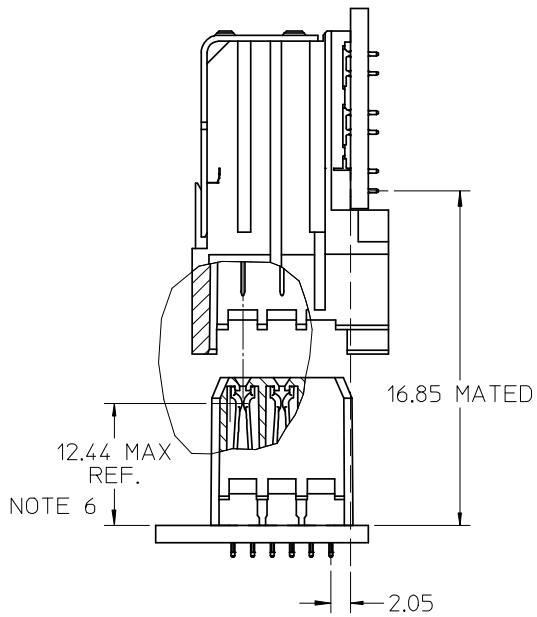
▽=0

∇=0

GENERAL TOLERANCES (UNLESS SPECIFIED)		
	mm	INCH
4 PLACES	±---	±---
3 PLACES	±---	±---
2 PLACES	±0.15	±---
1 PLACE	±0.25	±---
ANGULAR ±---°		
DRAFT WHERE APPLICABLE MUST REMAIN WITHIN DIMENSIONS		

DIMENSION STYLE	
MM ONLY	
DRAWN BY	DATE
TELO	98/10/19
CHECKED BY	DATE
DBREARLEY	98/10/21
APPROVED BY	DATE
CBIXLER	98/10/22
MATERIAL NO.	
SEE CHART	

SCALE	DESIGN UNITS	THIRD ANGLE PROJECTION
NONE	METRIC	
TITLE		
VHDM POWER 8 ROW BACKPLANE SALES ASSEMBLY		
MOLEX INCORPORATED		
DOCUMENT NO.	SHEET NO.	
SD-74029-002	1 OF 1	
THIS DRAWING CONTAINS INFORMATION THAT IS PROPRIETARY TO MOLEX INCORPORATED AND SHOULD NOT BE USED WITHOUT WRITTEN PERMISSION		



- NOTES:
- MATERIALS:
HOUSING - LIQUID CRYSTAL POLYMER (LCP)
UL94 V-0 RATED, COLOR: BLACK
TERMINAL - COPPER ALLOY
 - FINISH: 30 microINCH MIN GOLD ON MATING SURFACE;
TIN/LEAD ON TAILS; NICKEL OVERALL.
 - FINISH: 50 microINCH MIN GOLD ON MATING SURFACE;
TIN/LEAD ON TAILS; NICKEL OVERALL.
 - THIS PART CONFORMS TO PRODUCT SPECIFICATION
PS-74031-999.
 - USE 6.00 mm NOMINAL FOR BACKPLANE LAYOUT.
 - DIMENSION MEASURED FROM BOTTOM OF HOUSING.
 - PACKED PER PK-70873-0876.
 - MIDDLE CONTACT NOT PRESENT ON -84** ASSEMBLIES.
 - THIS DIMENSION TO BE MULTIPLE OF 2.00 mm AS REQUIRED.

ASSEMBLY #	CONTACT PLATING	# CONTACTS
74029-8000	SEE NOTE 2	3
74029-8050	SEE NOTE 3	3
74029-8400	SEE NOTE 2	2
74029-8450	SEE NOTE 3	2

REVISED (MINOR) EC NO: UCP2008-1963 DRWN: JINGHAM 2008/02/18 CHKD: 2008/02/18 APPR: LAURX 2008/02/18	QUALITY SYMBOLS	GENERAL TOLERANCES (UNLESS SPECIFIED)	SCALE 4:1	DESIGN UNITS METRIC	THIRD ANGLE PROJECTION	REVISE ON CAD ONLY
	▽ = 0 ∇ = 0	mm	INCH	DIMENSION STYLE MM ONLY		TITLE
		4 PLACES ± --- ± ---	3 PLACES ± --- ± ---	DRAWN BY ELO	DATE 2001/10/04	
	A1	2 PLACES ± 0.15 ± ---	1 PLACE ± 0.25 ± ---	CHECKED BY GORSKI	DATE 2001/10/05	MATERIAL NO. SEE CHART DOCUMENT NO. SD-74029-009 SHEET NO. 1 OF 1
ANGULAR ± 5 °		APPROVED BY BIXLER	DATE 2001/10/08	THIS DRAWING CONTAINS INFORMATION THAT IS PROPRIETARY TO MOLEX INCORPORATED AND SHOULD NOT BE USED WITHOUT WRITTEN PERMISSION		



**Стандарт
Электрон
Связь**

Мы молодая и активно развивающаяся компания в области поставок электронных компонентов. Мы поставляем электронные компоненты отечественного и импортного производства напрямую от производителей и с крупнейших складов мира.

Благодаря сотрудничеству с мировыми поставщиками мы осуществляем комплексные и плановые поставки широчайшего спектра электронных компонентов.

Собственная эффективная логистика и склад в обеспечивает надежную поставку продукции в точно указанные сроки по всей России.

Мы осуществляем техническую поддержку нашим клиентам и предпродажную проверку качества продукции. На все поставляемые продукты мы предоставляем гарантию .

Осуществляем поставки продукции под контролем ВП МО РФ на предприятия военно-промышленного комплекса России , а также работаем в рамках 275 ФЗ с открытием отдельных счетов в уполномоченном банке. Система менеджмента качества компании соответствует требованиям ГОСТ ISO 9001.

Минимальные сроки поставки, гибкие цены, неограниченный ассортимент и индивидуальный подход к клиентам являются основой для выстраивания долгосрочного и эффективного сотрудничества с предприятиями радиоэлектронной промышленности, предприятиями ВПК и научно-исследовательскими институтами России.

С нами вы становитесь еще успешнее!

Наши контакты:

Телефон: +7 812 627 14 35

Электронная почта: sales@st-electron.ru

Адрес: 198099, Санкт-Петербург,
Промышленная ул, дом № 19, литера Н,
помещение 100-Н Офис 331