



rev 1.4

## Low Power 5V $\mu$ P Reset Active LOW, Open - Drain Output

### General Description

The ASM1811 is a voltage supervisory device with a low-power, 5V  $\mu$ P Reset, active LOW, open-drain output. Maximum supply current over temperature is a low 20 $\mu$ A.

The ASM1811 generates an active LOW reset signal whenever the monitored supply is out of tolerance. A precision reference and comparator circuit monitor power supply ( $V_{CC}$ ) level. Tolerance level options are 5%, 10% and 15%. When an out-of-tolerance condition is detected, an internal power-fail signal is generated which forces an active LOW reset signal. After  $V_{CC}$  returns to an in-tolerance condition, the reset signal remains active for 150ms to allow the power supply and system microprocessor to stabilize.

The ASM1811 is designed with a open-drain output stage and operates over the extended industrial temperature range. Devices are available in low cost TO-92 and compact surface mount SOT-23 packages.

Other low power products in this family include the ASM1810/12/15/16/17, ASM1233D and ASM1233M.

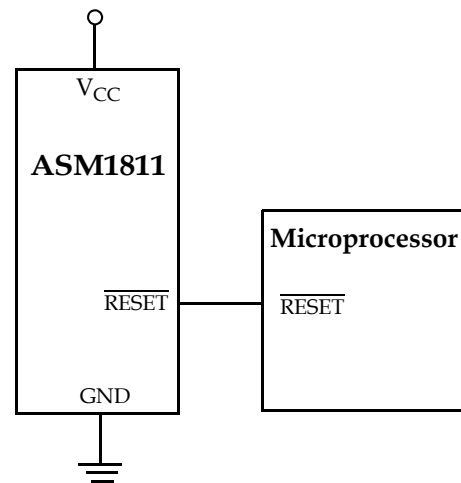
### Key Features

- Low Supply Current
  - 20  $\mu$ A maximum (5.5 V)
- Automatically restarts a microprocessor after power failure
- 150ms reset delay after  $V_{CC}$  returns to an in-tolerance condition
- Active LOW power-up reset
- Precision temperature-compensated voltage reference and comparator
- Eliminates external components
- Low cost TO-92 and compact surface mount SOT-23 packages
- Operating temperature -40°C to +85°C

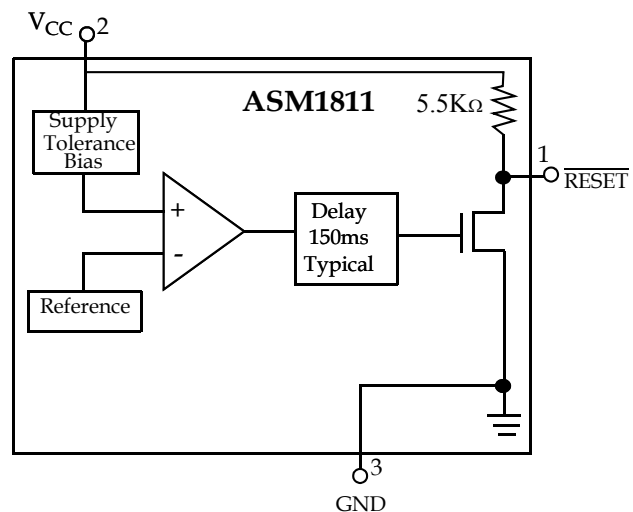
### Applications

- Set-top boxes
- Cellular phones
- PDAs
- Energy management systems
- Embedded control systems
- Printers
- Single board computers

### Typical Operating Circuit



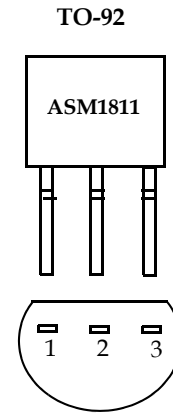
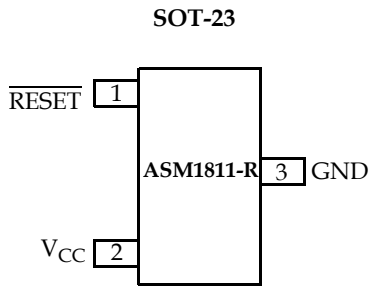
### Block Diagram





rev 1.4

**Pin Configuration**



**Pin Description**

SOT-23	TO-92	Pin Name	Description
Pin #	Pin #		
1	1	$\overline{\text{RESET}}$	Active LOW reset output
2	2	$V_{CC}$	Power supply input
3	3	GND	Ground



rev 1.4

**Application Information**

**Operation - Power Monitor**

The ASM1811 detects out-of-tolerance power supply conditions. It resets a processor during power-up, power-down and issues a reset to the system processor when the monitored power supply voltage is below the reset threshold. When an out-of-tolerance  $V_{CC}$  voltage is detected, the  $\overline{\text{RESET}}$  signal is asserted. On power-up,  $\overline{\text{RESET}}$  is kept active (LOW) for approximately 150ms after the power supply voltage has reached the selected tolerance. This allows the power supply and microprocessor to stabilize before  $\overline{\text{RESET}}$  is released.

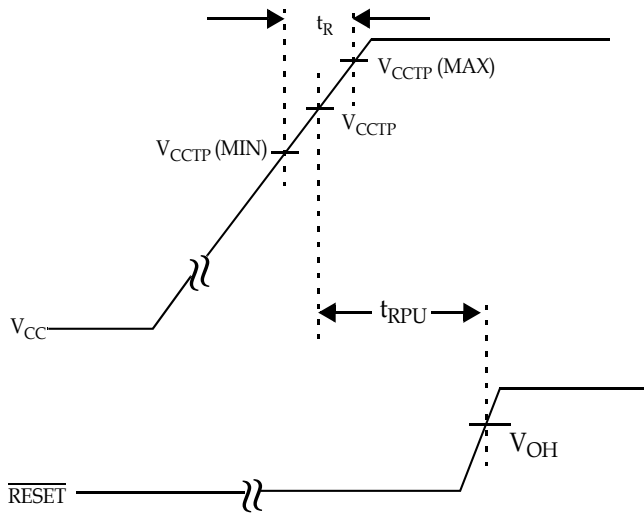


Figure 1: Timing Diagram: Power-Up

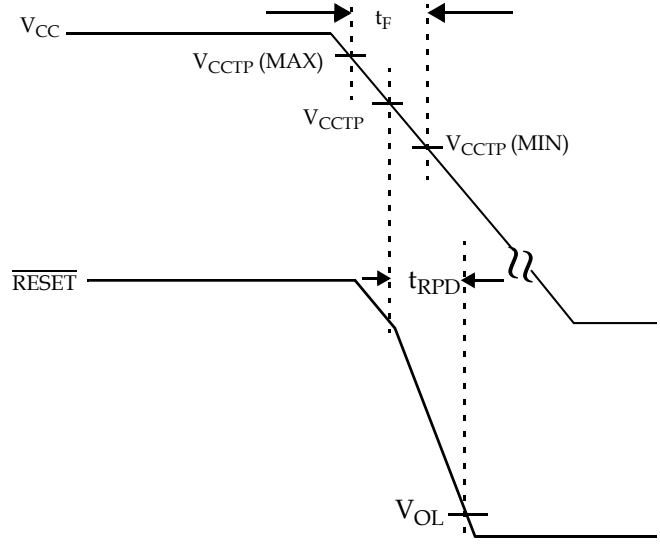


Figure 2: Timing Diagram: Power-Down



rev 1.4

### Absolute Maximum Ratings

Parameter	Min	Max	Unit
Voltage on $V_{CC}$	-0.5	7	V
Voltage on $\overline{RESET}$	-0.5	$V_{CC} + 0.5$	V
Operating Temperature Range	-40	85	°C
Soldering Temperature (for 10 sec)		260	°C
Storage Temperature	-55	125	°C
ESD rating			
	HBM	2	KV
	MM	200	V

NOTE: These are stress ratings only and functional use is not implied. Exposure to absolute maximum ratings for prolonged periods of time may affect device reliability.

### Electrical Characteristics

Unless otherwise noted,  $V_{CC} = 1.2V$  to  $5.5V$  and specifications are over the operating temperature range of  $-40^{\circ}C$  to  $+85^{\circ}C$ . All voltages are referenced to ground

Parameter	Symbol	Conditions	Min	Typ	Max	Unit
Supply Voltage	$V_{CC}$		1.2		5.5	V
Operating Current	$I_{CC}$	$V_{CC} < 5.5V$ , $\overline{RESET}$ output open		8	20	$\mu A$
$V_{CC}$ Trip Point (ASM1811R-5)	$V_{CCTP}$		4.50	4.62	4.75	V
$V_{CC}$ Trip Point (ASM1811R-10)	$V_{CCTP}$		4.25	4.35	4.49	V
$V_{CC}$ Trip Point (ASM1811R-15)	$V_{CCTP}$		4.00	4.13	4.24	V
Internal Pull-up Resistor	$R_P$		3.5	5.5	7.5	$k\Omega$
Output Capacitance	$C_{OUT}$				10	pF
RESET Active Time	$t_{RESET}$		100	150	250	ms
$V_{CC}$ Detect to $\overline{RESET}$ Low	$t_{RPD}$			2	5	$\mu s$
$V_{CC}$ Slew Rate ( $V_{CCTP}$ (MAX) to $V_{CCTP}$ (MIN))	$t_F$		300			$\mu s$
$V_{CC}$ Slew Rate ( $V_{CCTP}$ (MIN) to $V_{CCTP}$ (MAX))	$t_R$		0			ns
$V_{CC}$ Detect to $\overline{RESET}$ High	$t_{RPU}$	$t_r = 5\mu s$	100	150	300	ms

Note: The  $t_F$  value is for reference in defining values for  $t_{RPD}$  and should not be considered for proper operation or use.



rev 1.4

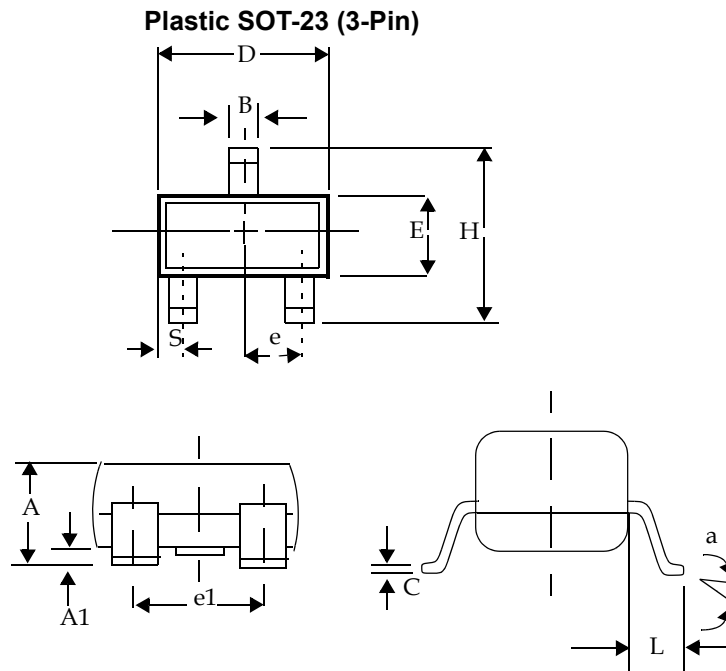
## Family Selection Guide

Part #	RESET Voltage (V)	RESET Time (ms)	Output Stage	RESET Polarity
ASM1810	4.620, 4.370, 4.120	150	Push-Pull	LOW
ASM1811	4.620, 4.350, 4.130	150	Open-Drain	LOW
ASM1812	4.620, 4.350, 4.130	150	Push-Pull	HIGH
ASM1815	3.060, 2.880, 2.550	150	Push-Pull	LOW
ASM1816	3.060, 2.880, 2.550	150	Open-Drain	LOW
ASM1817	3.060, 2.880, 2.550	150	Push-Pull	HIGH
ASM1233D	4.625, 4.375, 4.125	350	Open-Drain	LOW
ASM1233M	4.625, 4.375, 2.720	350	Open-Drain	LOW



rev 1.4

Package Dimension

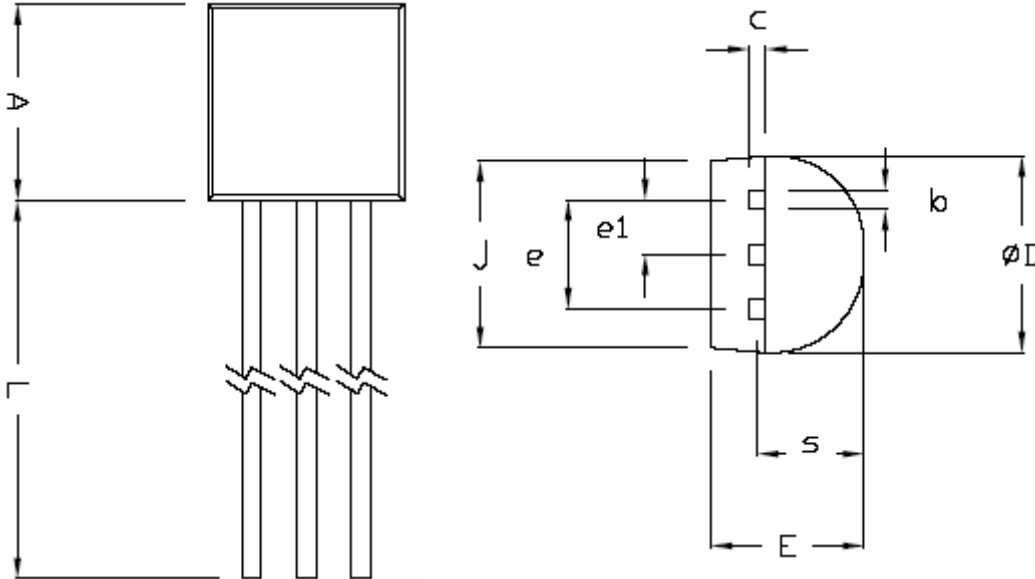


	Inches		Millimeters	
	Min	Max	Min	Max
<b>Plastic SOT-23 (3-Pin)</b>				
A	0.030	0.046	0.75	1.17
A1	0.002	0.006	0.05	0.15
B	0.012	0.020	0.30	0.50
C	0.003	0.008	0.08	0.20
D	0.110	0.120	2.80	3.04
E	0.047	0.055	1.20	1.40
e	0.037 BSC		0.95 BSC	
e1	0.075 BSC		1.9 BSC	
H	0.083	0.104	2.10	2.64
L	0.016	0.024	0.40	0.60
a	0°	8°	0°	8°
S	NA		NA	



rev 1.4

To-92 (3-Pin)



	Dimensions in Inches		Dimensions in Millimeters	
	Min	Max	Min	Max
<b>TO-92</b>				
A	0.175	0.185	4.445	4.699
b	0.016	0.020	0.406	0.508
C	0.014	0.016	0.356	0.406
$\phi D$	0.175	0.185	4.445	4.699
E	0.138	0.144	3.505	3.658
e	0.098	0.102	2.489	2.591
e1	0.045	0.055	1.143	1.397
j	0.168	0.174	4.269	4.420
L	0.500	0.585	12.7	14.86
s	0.095	0.099	2.413	2.515



rev 1.4

## Ordering Information

Device Summary							
Part *** Number	RESET Output Voltage (V)	RESET Tolerance (%)	RESET Time (ms)	Open-Drain ** Output Stage	SOT-23 Package	RESET Polarity	Package Marking
<b>TIN - LEAD DEVICES</b>							
ASM1811R-5	4.62	5	150	◆	◆	LOW	RDLL
ASM1811R-10	4.35	10	150	◆	◆	LOW	RELL
ASM1811R-15	4.13	15	150	◆	◆	LOW	RFL
<b>LEAD FREE DEVICES</b>							
ASM1811R-5F	4.62	5	150	◆	◆	LOW	KDLL
ASM1811R-10F	4.35	10	150	◆	◆	LOW	KELL
ASM1811R-15F	4.13	15	150	◆	◆	LOW	KFL
Part *** Number	RESET Output Voltage (V)	RESET Tolerance (%)	RESET Time (ms)	Open-Drain ** Output Stage	TO-92 Package	RESET Polarity	Package Marking
<b>TIN - LEAD DEVICES</b>							
ASM1811-5	4.62	5	150	◆	◆	LOW	ASM1811-5
ASM1811-10	4.35	10	150	◆	◆	LOW	ASM1811-10
ASM1811-15	4.13	15	150	◆	◆	LOW	ASM1811-15
<b>LEAD FREE DEVICES</b>							
ASM1811-5F	4.62	5	150	◆	◆	LOW	ASM1811-5F
ASM1811-10F	4.35	10	150	◆	◆	LOW	ASM1811-10F
ASM1811-15F	4.13	15	150	◆	◆	LOW	ASM1811-15F
** Internal 5.5kΩ resistor pull-up ** *Add /T to Part Number for Tape and Reel (i.e ASM18xx-x/T) LL- Lot Code							





**ASM1811**



Alliance Semiconductor Corporation  
2575, Augustine Drive,  
Santa Clara, CA 95054  
Tel: 408 - 855 - 4900  
Fax: 408 - 855 - 4999  
[www.alsc.com](http://www.alsc.com)

Copyright © Alliance Semiconductor  
All Rights Reserved  
Part Number: ASM1811  
Document Version: 1.4

© Copyright 2003 Alliance Semiconductor Corporation. All rights reserved. Our three-point logo, our name and Intelliwatt are trademarks or registered trademarks of Alliance. All other brand and product names may be the trademarks of their respective companies. Alliance reserves the right to make changes to this document and its products at any time without notice. Alliance assumes no responsibility for any errors that may appear in this document. The data contained herein represents Alliance's best data and/or estimates at the time of issuance. Alliance reserves the right to change or correct this data at any time, without notice. If the product described herein is under development, significant changes to these specifications are possible. The information in this product data sheet is intended to be general descriptive information for potential customers and users, and is not intended to operate as, or provide, any guarantee or warrantee to any user or customer. Alliance does not assume any responsibility or liability arising out of the application or use of any product described herein, and disclaims any express or implied warranties related to the sale and/or use of Alliance products including liability or warranties related to fitness for a particular purpose, merchantability, or infringement of any intellectual property rights, except as express agreed to in Alliance's Terms and Conditions of Sale (which are available from Alliance). All sales of Alliance products are made exclusively according to Alliance's Terms and Conditions of Sale. The purchase of products from Alliance does not convey a license under any patent rights, copyrights; mask works rights, trademarks, or any other intellectual property rights of Alliance or third parties. Alliance does not authorize its products for use as critical components in life-supporting systems where a malfunction or failure may reasonably be expected to result in significant injury to the user, and the inclusion of Alliance products in such life-supporting systems implies that the manufacturer assumes all risk of such use and agrees to indemnify Alliance against all claims arising from such use.



## Стандарт Электрон Связь

Мы молодая и активно развивающаяся компания в области поставок электронных компонентов. Мы поставляем электронные компоненты отечественного и импортного производства напрямую от производителей и с крупнейших складов мира.

Благодаря сотрудничеству с мировыми поставщиками мы осуществляем комплексные и плановые поставки широчайшего спектра электронных компонентов.

Собственная эффективная логистика и склад в обеспечивает надежную поставку продукции в точно указанные сроки по всей России.

Мы осуществляем техническую поддержку нашим клиентам и предпродажную проверку качества продукции. На все поставляемые продукты мы предоставляем гарантию .

Осуществляем поставки продукции под контролем ВП МО РФ на предприятия военно-промышленного комплекса России , а также работаем в рамках 275 ФЗ с открытием отдельных счетов в уполномоченном банке. Система менеджмента качества компании соответствует требованиям ГОСТ ISO 9001.

Минимальные сроки поставки, гибкие цены, неограниченный ассортимент и индивидуальный подход к клиентам являются основой для выстраивания долгосрочного и эффективного сотрудничества с предприятиями радиоэлектронной промышленности, предприятиями ВПК и научно-исследовательскими институтами России.

С нами вы становитесь еще успешнее!

### Наши контакты:

**Телефон:** +7 812 627 14 35

**Электронная почта:** [sales@st-electron.ru](mailto:sales@st-electron.ru)

**Адрес:** 198099, Санкт-Петербург,  
Промышленная ул, дом № 19, литера Н,  
помещение 100-Н Офис 331