



LatticeXP2™ Family Handbook

HB1004 Version 03.2, January 2012

January 2012

Section I. LatticeXP2 Family Data Sheet

Introduction

Features	1-1
Introduction	1-2

Architecture

Architecture Overview	2-1
PFU Blocks	2-2
Slice	2-3
Modes of Operation.....	2-5
Routing.....	2-6
sysCLOCK Phase Locked Loops (PLL)	2-6
Clock Dividers	2-7
Clock Distribution Network	2-8
Primary Clock Sources.....	2-8
Secondary Clock/Control Sources	2-10
Edge Clock Sources.....	2-11
Primary Clock Routing	2-12
Dynamic Clock Select (DCS)	2-12
Secondary Clock/Control Routing.....	2-12
Slice Clock Selection.....	2-14
Edge Clock Routing	2-15
sysMEM Memory	2-16
sysMEM Memory Block.....	2-16
Bus Size Matching	2-16
FlashBAK EBR Content Storage.....	2-16
Memory Cascading	2-17
Single, Dual and Pseudo-Dual Port Modes.....	2-17
Memory Core Reset.....	2-17
EBR Asynchronous Reset.....	2-18
sysDSP™ Block	2-18
sysDSP Block Approach Compare to General DSP	2-18
sysDSP Block Capabilities	2-19
MULT sysDSP Element	2-20
MAC sysDSP Element	2-21
MULTADDSUB sysDSP Element	2-22
MULTADDSUBSUM sysDSP Element	2-23
Clock, Clock Enable and Reset Resources	2-23
Signed and Unsigned with Different Widths.....	2-24
OVERFLOW Flag from MAC	2-24
IPexpress™.....	2-25
Optimized DSP Functions	2-25
Resources Available in the LatticeXP2 Family.....	2-25
LatticeXP2 DSP Performance.....	2-25
Programmable I/O Cells (PIC)	2-26
PIO	2-27
Input Register Block.....	2-27
Output Register Block	2-28
Tristate Register Block.....	2-30

Control Logic Block	2-30
DDR Memory Support.....	2-30
DLL Calibrated DQS Delay Block	2-32
Polarity Control Logic.....	2-33
DQSXFER.....	2-34
sysIO Buffer	2-34
sysIO Buffer Banks	2-34
Typical sysIO I/O Behavior During Power-up.....	2-35
Supported sysIO Standards	2-35
Hot Socketing.....	2-37
IEEE 1149.1-Compliant Boundary Scan Testability.....	2-37
flexiFLASH Device Configuration.....	2-38
Serial TAG Memory.....	2-39
Live Update Technology	2-39
Soft Error Detect (SED) Support.....	2-40
On-Chip Oscillator.....	2-40
Density Shifting	2-41
DC and Switching Characteristics	
Absolute Maximum Ratings	3-1
Recommended Operating Conditions	3-1
On-Chip Flash Memory Specifications.....	3-1
Hot Socketing Specifications.....	3-2
ESD Performance	3-2
DC Electrical Characteristics.....	3-2
Supply Current (Standby).....	3-3
Initialization Supply Current	3-4
Programming and Erase Flash Supply Current	3-5
sysIO Recommended Operating Conditions.....	3-6
sysIO Single-Ended DC Electrical Characteristics	3-7
sysIO Differential Electrical Characteristics	3-8
LVDS.....	3-8
Differential HSTL and SSTL.....	3-8
LVDS25E	3-8
LVCMOS33D	3-9
BLVDS	3-10
LVPECL	3-11
RSDS	3-12
MLVDS.....	3-13
Typical Building Block Function Performance.....	3-14
Pin-to-Pin Performance (LVCMOS25 12mA Drive)	3-14
Register-to-Register Performance	3-14
Derating Timing Tables	3-15
LatticeXP2 External Switching Characteristics	3-16
LatticeXP2 Internal Switching Characteristics.....	3-19
EBR Timing Diagrams.....	3-22
LatticeXP2 Family Timing Adders	3-24
sysCLOCK PLL Timing	3-27
LatticeXP2 sysCONFIG Port Timing Specifications.....	3-28
On-Chip Oscillator and Configuration Master Clock Characteristics.....	3-29
Flash Download Time (from On-Chip Flash to SRAM)	3-30
Flash Program Time.....	3-30
Flash Erase Time	3-30
FlashBAK Time (from EBR to Flash)	3-31
JTAG Port Timing Specifications	3-31

Switching Test Conditions	3-33
Pinout Information	
Signal Descriptions	4-1
PICs and DDR Data (DQ) Pins Associated with the DDR Strobe (DQS) Pin	4-3
Pin Information Summary	4-4
Logic Signal Connections	4-5
Thermal Management	4-5
For Further Information	4-5
Ordering Information	
Part Number Description	5-1
Ordering Information	5-1
Lead-Free Packaging	5-2
Conventional Packaging	5-5
Supplemental Information	
For Further Information	6-1
LatticeXP2 Family Data Sheet Revision History	
Revision History	7-1
Section II. LatticeXP2 Family Technical Notes	
LatticeXP2 sysIO Usage Guide	
Introduction	8-1
sysIO Buffer Overview	8-1
Supported sysIO Standards	8-1
sysIO Banking Scheme	8-3
SPI Flash Interface	8-3
JTAG Interface	8-3
V _{CCIO} (1.2V/1.5V/1.8V/2.5V/3.3V)	8-4
V _{CCAUX} (3.3V)	8-4
V _{CCJ} (1.2V/1.5V/1.8V/2.5V/3.3V)	8-4
Input Reference Voltage (V _{REF1} , V _{REF2})	8-4
V _{REF1} for DDR Memory Interface	8-4
Mixed Voltage Support in a Bank	8-4
sysIO Standards Supported by Bank	8-5
LVC MOS Buffer Configurations	8-6
Bus Maintenance Circuit	8-6
Programmable Drive	8-6
Programmable Slew Rate	8-6
Open-Drain Control	8-6
Differential SSTL and HSTL support	8-6
PCI Support with Programmable PCICLAMP	8-7
Programmable Input Delay	8-7
Software sysIO Attributes	8-7
IO_TYPE	8-7
OPENDRAIN	8-8
DRIVE	8-8
PULLMODE	8-9
PCICLAMP	8-9
SLEWRATE	8-9
FIXEDEDELAY	8-10
INBUF	8-10
DIN/DOUT	8-10
LOC	8-10
Design Considerations and Usage	8-10
Banking Rules	8-10

Differential I/O Rules	8-10
Differential I/O Implementation.....	8-11
LVDS.....	8-11
BLVDS	8-11
RSDS	8-11
LVPECL	8-11
Differential SSTL and HSTL.....	8-11
MLVDS.....	8-11
Technical Support Assistance.....	8-11
Revision History	8-11
Appendix A. HDL Attributes for Synplicity® and Precision® RTL Synthesis.....	8-12
VHDL Synplicity/Precision RTL Synthesis	8-12
Verilog Synplicity.....	8-14
Verilog Precision	8-15
Appendix B. sysIO Attributes Using the Design Planner User Interface.....	8-16
Appendix C. sysIO Attributes Using Preference File (ASCII File)	8-18
IOBUF	8-18
LOCATE.....	8-18
USE DIN CELL.....	8-19
USE DOUT CELL.....	8-19
GROUP VREF	8-19
Appendix D. sysIO Attributes Using the Diamond Spreadsheet View User Interface.....	8-20
LatticeXP2 sysCLOCK PLL Design and Usage Guide	
Introduction	9-1
Clock/Control Distribution Network	9-1
LatticeXP2 Top Level View	9-1
Primary Clocks	9-2
Secondary Clocks	9-2
Edge Clocks	9-2
Primary Clock Note	9-3
Specifying Clocks in the Design Tools.....	9-3
Primary-Pure and Primary-DCS.....	9-3
Global Primary Clock and Quadrant Primary Clock.....	9-3
Global Primary Clock	9-3
Quadrant Primary Clock.....	9-4
sysCLOCK™ PLL	9-4
Functional Description.....	9-5
PLL Divider and Delay Blocks.....	9-5
PLL Inputs and Outputs	9-5
CLKI Input.....	9-5
RST Input.....	9-5
RSTK Input.....	9-6
CLKFB Input.....	9-6
CLKOP Output	9-6
CLKOS Output with Phase and Duty Cycle Select	9-6
CLKOK Output with Lower Frequency.....	9-6
CLKOK2 Output	9-6
LOCK Output.....	9-6
Dynamic Phase and Dynamic Duty Cycle Adjustment.....	9-6
WRDEL (Write Delay)	9-7
PLL Attributes.....	9-7
FIN	9-7
CLKI_DIV, CLKFB_DIV, CLKOP_DIV, CLKOK_DIV	9-7
FREQUENCY_PIN_CLKI, FREQUENCY_PIN_CLKOP, FREQUENCY_PIN_CLKOK	9-7

CLKOP Frequency Tolerance	9-7
LatticeXP2 PLL Primitive Definition	9-8
EPLLD Design Migration from LatticeECP2 to LatticeXP2	9-8
Dynamic Phase/Duty Mode	9-8
Dynamic Phase Adjustment/Duty Cycle Select	9-9
PLL Usage in IPexpress™	9-10
Configuration Tab	9-11
PLL Modes of Operation	9-13
PLL Clock Injection Removal	9-13
PLL Clock Phase Adjustment	9-14
IPexpress Output	9-14
Use of the Pre-Map Preference Editor	9-15
Clock Dividers (CLKDIV)	9-15
CLKDIV Primitive Definition	9-15
CLKDIV Declaration in VHDL Source Code	9-16
CLKDIV Usage with Verilog - Example	9-17
CLKDIV Example Circuits	9-17
Reset Behavior	9-18
Release Behavior	9-18
CLKDIV Inputs-to-Outputs Delay Matching	9-19
DCS (Dynamic Clock Select)	9-19
DCS Primitive Definition	9-19
DCS Timing Diagrams	9-20
DCS Usage with VHDL - Example	9-21
DCS Usage with Verilog - Example	9-22
Oscillator (OSCE)	9-22
OSC Primitive Symbol (OSCE)	9-22
OSC Usage with VHDL - Example	9-23
OSC Usage with Verilog - Example	9-23
Setting Clock Preferences	9-23
Power Supplies	9-23
Technical Support Assistance	9-23
Revision History	9-23
Appendix A. Primary Clock Sources and Distribution	9-24
Appendix B. PLL, CLKDIV and ECLK Locations and Connectivity	9-25
Appendix C. Clock Preferences	9-26
ASIC	9-26
FREQUENCY	9-26
MAXSKEW	9-26
MULTICYCLE	9-26
PERIOD	9-26
PROHIBIT	9-26
USE PRIMARY	9-26
USE SECONDARY	9-26
USE EDGE	9-27
CLOCK_TO_OUT	9-27
INPUT_SETUP	9-27
PLL_PHASE_BACK	9-27
LatticeXP2 Memory Usage Guide	
Introduction	10-1
Memories in LatticeXP2 Devices	10-1
Utilizing IPexpress	10-2
IPexpress Flow	10-3
Memory Modules	10-6

Single Port RAM (RAM_DQ) – EBR Based	10-6
True Dual Port RAM (RAM_DP_TRUE) – EBR Based	10-11
Pseudo Dual Port RAM (RAM_DP) – EBR Based	10-17
Read Only Memory (ROM) - EBR Based	10-20
First In First Out (FIFO, FIFO_DC) – EBR Based	10-23
Distributed Single Port RAM (Distributed_SPRAM) – PFU Based	10-35
Distributed Dual Port RAM (Distributed_DPRAM) – PFU Based	10-37
Distributed ROM (Distributed_ROM) – PFU Based	10-39
User TAG Memory	10-41
Basic Specifications for TAG Memory	10-41
General Description	10-43
Pin Descriptions	10-43
SPI Operations	10-44
Specifications and Timing Diagrams	10-49
Initializing Memory	10-50
Initialization File Format	10-50
Binary File	10-51
Hex File	10-51
Addressed Hex	10-51
FlashBak™ Capability	10-52
Technical Support Assistance	10-52
Revision History	10-53
Appendix A. Attribute Definitions	10-54
DATA_WIDTH	10-54
REGMODE	10-54
RESETMODE	10-54
CSDECODE	10-54
WRITEMODE	10-54
GSR	10-54
LatticeXP2 High-Speed I/O Interface	
Introduction	11-1
DDR and DDR2 SDRAM Interfaces Overview	11-1
Implementing DDR Memory Interfaces with LatticeXP2 Devices	11-3
DQS Grouping	11-3
DDR Software Primitives	11-4
Memory Read Implementation	11-14
DLL Compensated DQS Delay Elements	11-14
DQS Transition Detect or Automatic Clock Polarity Select	11-14
Data Valid Module	11-15
DDR I/O Register Implementation	11-15
Memory Read Implementation in Software	11-15
Read Timing Waveforms	11-16
Memory Write Implementation	11-19
Generic High Speed DDR Implementation	11-22
Generic DDR Software Primitives	11-23
Design Rules/Guidelines	11-34
DDR Usage in ispLEVER IPexpress	11-34
DDR Generic	11-35
Configuration Tab	11-36
DDR_MEM	11-36
Configuration Tab	11-37
FCRAM (“Fast Cycle Random Access Memory”) Interface	11-39
Board Design Guidelines	11-39
References	11-39

Technical Support Assistance	11-40
Revision History	11-40
Appendix A. DDR Generation using Diamond IPexpress	11-41
DDR Generic.....	11-41
Configuration Tab.....	11-42
DDR_MEM.....	11-43
Configuration Tab.....	11-44
Power Estimation and Management for LatticeXP2 Devices	
Introduction	12-1
Power Supply Sequencing and Hot Socketing.....	12-1
Recommended Power-up Sequence	12-1
Power Calculator Hardware Assumptions.....	12-1
Power Calculation Equations	12-1
Power Calculations	12-2
Using the Power Calculator.....	12-3
Starting the Power Calculator	12-3
Creating a Power Calculator Project.....	12-4
Power Calculator Main Window	12-5
Power Calculator Wizard.....	12-7
Creating a New Project Without the NCD File	12-10
Creating a New Project with the NCD File	12-10
Opening an Existing Project.....	12-12
Importing a Simulation File (VCD).....	12-12
Importing a Trace Report File (TWR).....	12-13
Activity Factor and Toggle Rate	12-13
Ambient and Junction Temperatures and Airflow	12-14
Managing Power Consumption	12-14
Power Calculator Assumptions	12-15
Technical Support Assistance	12-15
Revision History	12-15
LatticeXP2 sysDSP Usage Guide	
Introduction	13-1
sysDSP Block Hardware	13-1
sysDSP Block Software	13-2
Overview	13-2
Targeting sysDSP Block Using IPexpress	13-2
Targeting the sysDSP Block by Inference.....	13-9
sysDSP Blocks in the Report File	13-11
MAP Report File.....	13-11
Post PAR Report File.....	13-12
Targeting the sysDSP Block Using Simulink.....	13-13
Simulink Overview.....	13-13
Targeting the sysDSP Block by Instantiating Primitives.....	13-14
sysDSP Block Control Signal and Data Signal Descriptions.....	13-14
Technical Support Assistance	13-14
Revision History	13-15
Appendix A. DSP Block Primitives	13-16
MULT18X18B.....	13-16
MULT18X18ADDSUBB.....	13-16
MULT18X18ADDSUBSUMB.....	13-17
MULT18X18MACB.....	13-19
MULT36X36B.....	13-20
MULT9X9B.....	13-21
MULT9X9ADDSUBB.....	13-21

MULT9X9ADDSUBSUMB.....	13-22
LatticeXP2 sysCONFIG Usage Guide	
Introduction	14-1
Programming Overview.....	14-1
Configuration Pins.....	14-2
sysCONFIG Pins.....	14-3
Programming Sequence	14-7
SRAM.....	14-7
Flash Background	14-7
ispJTAG Pins	14-8
TDO.....	14-8
TDI	14-8
TMS.....	14-8
TCK.....	14-8
VCCJ.....	14-8
Configuration and JTAG Voltage Levels.....	14-8
Configuration Modes and Options.....	14-9
Configuration Options	14-9
Slave SPI Mode	14-9
Master SPI Mode	14-10
Self Download Mode.....	14-10
ispJTAG Mode	14-10
Wake Up Options.....	14-11
Wake Up Sequence	14-11
Software Selectable Options.....	14-12
Slave SPI Port.....	14-12
Master SPI Port.....	14-13
Configuration Mode.....	14-13
DONE Open Drain	14-13
DONE External.....	14-13
Master Clock Selection	14-13
Security	14-14
Wake Up Sequence	14-14
Wake On Lock Selection.....	14-14
Power Save.....	14-14
One Time Programmable Fuse.....	14-14
User GOE.....	14-14
Tag Memory	14-15
Slave SPI Mode Operation.....	14-16
User Flash.....	14-16
Technical Support Assistance.....	14-17
Revision History	14-17
LatticeXP2 Configuration Encryption and Security Usage Guide	
Introduction	15-1
Encryption/Decryption Flow	15-1
Encrypting the JEDEC File.....	15-1
ispLEVER Flow	15-2
ispVM Flow.....	15-2
Programming the Key into the Device.....	15-4
Security Bit for the Configuration and User Flash (CONFIG_SECURE).....	15-6
Advanced Security Settings	15-6
One-Time Programmable (OTP) or Permanent Lock	15-6
Flash Protect	15-7
Changing Flash Protect.....	15-7

Encryption	15-8
Usercode in Encrypted Files	15-8
Decryption Flow	15-8
Verifying a Configuration	15-9
References	15-9
Technical Support Assistance	15-9
Revision History	15-9
LatticeXP2 Soft Error Detection (SED) Usage Guide	
Introduction	16-1
SED Overview	16-1
Basic SED and One-shot SED Modes	16-2
Basic SED	16-2
One-Shot SED	16-2
Hardware Description	16-2
Signal Descriptions	16-2
SEDCLKIN	16-3
OSC_DIV	16-3
SEENABLE	16-3
SEDCLKOUT	16-3
SEDSTART	16-3
SEDFRCERRN	16-3
SEDINPROG	16-4
SEDDONE	16-4
SEDERR	16-4
SED Flow	16-4
SED Run Time	16-5
Sample Code	16-6
Basic SED VHDL Example	16-6
One Shot SED in VHDL	16-7
Basic SED Verilog Example	16-8
One-Shot SED in Verilog	16-9
Technical Support Assistance	16-9
Revision History	16-10
Introduction	17-1
LatticeXP2 Dual Boot Feature	
Dual Boot Feature	17-2
Definitions	17-3
SPI	17-3
Master SPI	17-3
SDM (Self Download Mode)	17-3
Erase	17-3
Program	17-3
Configure	17-3
Primary Boot	17-3
Golden Boot	17-3
Dual Boot	17-4
Refresh	17-4
Bitstream Data File (.BIT File)	17-4
JEDEC File (.JED File)	17-4
TransFR	17-4
Security	17-4
SED CRC	17-4
One Shot SED	17-4
Background Mode (User Mode)	17-4

Direct Mode (IEEE 1532 Access Modal State)	17-4
Purpose	17-4
Resource	17-5
Dual Boot Mode	17-6
Critical Points	17-7
Programming Procedures	17-9
Part 1: Program the Golden Pattern into the SPI Flash Devices	17-9
Part 2: Program the Primary Pattern into LatticeXP2 Embedded Flash	17-12
Reference Material	17-14
LatticeXP2 Bitstream File Format	17-14
Implement SPI Flash Programming on ispVM System	17-14
References	17-15
Technical Support Assistance	17-16
Revision History	17-16
LatticeXP2 Hardware Checklist	
Introduction	18-1
Power Supply	18-1
Power Supply Sequencing	18-1
Power Supply Ramp	18-2
Power Estimation	18-2
Configuration	18-2
JTAG Interface	18-3
I/O Interface and Critical Pins	18-3
I/O Pin Assignments Around V_{CCPLL}	18-3
DDR/DDR2 Memory Interface Pin Assignments	18-4
True-LVDS Output Pin Assignments	18-4
HSTL and SSTL Pin Assignments	18-4
PCI Clamp Pin Assignment	18-4
Test Output Enable (TOE)	18-4
Checklist	18-5
Technical Support Assistance	18-5
Revision History	18-5
Section III. LatticeXP2 Family Handbook Revision History	
Revision History	19-1



Section I. LatticeXP2 Family Data Sheet

DS1009 Version 01.8, January 2012

Features

■ flexiFLASH™ Architecture

- Instant-on
- Infinitely reconfigurable
- Single chip
- FlashBAK™ technology
- Serial TAG memory
- Design security

■ Live Update Technology

- TransFR™ technology
- Secure updates with 128 bit AES encryption
- Dual-boot with external SPI

■ sysDSP™ Block

- Three to eight blocks for high performance Multiply and Accumulate
- 12 to 32 18x18 multipliers
- Each block supports one 36x36 multiplier or four 18x18 or eight 9x9 multipliers

■ Embedded and Distributed Memory

- Up to 885 Kbits sysMEM™ EBR
- Up to 83 Kbits Distributed RAM

■ sysCLOCK™ PLLs

- Up to four analog PLLs per device
- Clock multiply, divide and phase shifting

■ Flexible I/O Buffer

- sysIO™ buffer supports:
 - LVCMOS 33/25/18/15/12; LVTTTL
 - SSTL 33/25/18 class I, II
 - HSTL15 class I; HSTL18 class I, II
 - PCI
 - LVDS, Bus-LVDS, MLVDS, LVPECL, RSDS

■ Pre-engineered Source Synchronous Interfaces

- DDR / DDR2 interfaces up to 200 MHz
- 7:1 LVDS interfaces support display applications
- XGMII

■ Density And Package Options

- 5k to 40k LUT4s, 86 to 540 I/Os
- csBGA, TQFP, PQFP, ftBGA and fpBGA packages
- Density migration supported

■ Flexible Device Configuration

- SPI (master and slave) Boot Flash Interface
- Dual Boot Image supported
- Soft Error Detect (SED) macro embedded

■ System Level Support

- IEEE 1149.1 and IEEE 1532 Compliant
- On-chip oscillator for initialization & general use
- Devices operate with 1.2V power supply

Table 1-1. LatticeXP2 Family Selection Guide

Device	XP2-5	XP2-8	XP2-17	XP2-30	XP2-40
LUTs (K)	5	8	17	29	40
Distributed RAM (KBits)	10	18	35	56	83
EBR SRAM (KBits)	166	221	276	387	885
EBR SRAM Blocks	9	12	15	21	48
sysDSP Blocks	3	4	5	7	8
18 x 18 Multipliers	12	16	20	28	32
V _{CC} Voltage	1.2	1.2	1.2	1.2	1.2
GPLL	2	2	4	4	4
Max Available I/O	172	201	358	472	540
Packages and I/O Combinations					
132-Ball csBGA (8 x 8 mm)	86	86			
144-Pin TQFP (20 x 20 mm)	100	100			
208-Pin PQFP (28 x 28 mm)	146	146	146		
256-Ball ftBGA (17 x 17 mm)	172	201	201	201	
484-Ball fpBGA (23 x 23 mm)			358	363	363
672-Ball fpBGA (27 x 27 mm)				472	540

Introduction

LatticeXP2 devices combine a Look-up Table (LUT) based FPGA fabric with non-volatile Flash cells in an architecture referred to as flexiFLASH.

The flexiFLASH approach provides benefits including instant-on, infinite reconfigurability, on chip storage with FlashBAK embedded block memory and Serial TAG memory and design security. The parts also support Live Update technology with TransFR, 128-bit AES Encryption and Dual-boot technologies.

The LatticeXP2 FPGA fabric was optimized for the new technology from the outset with high performance and low cost in mind. LatticeXP2 devices include LUT-based logic, distributed and embedded memory, Phase Locked Loops (PLLs), pre-engineered source synchronous I/O support and enhanced sysDSP blocks.

Lattice Diamond[®] design software allows large and complex designs to be efficiently implemented using the LatticeXP2 family of FPGA devices. Synthesis library support for LatticeXP2 is available for popular logic synthesis tools. The Diamond software uses the synthesis tool output along with the constraints from its floor planning tools to place and route the design in the LatticeXP2 device. The Diamond tool extracts the timing from the routing and back-annotates it into the design for timing verification.

Lattice provides many pre-designed Intellectual Property (IP) LatticeCORE™ modules for the LatticeXP2 family. By using these IPs as standardized blocks, designers are free to concentrate on the unique aspects of their design, increasing their productivity.

Architecture Overview

Each LatticeXP2 device contains an array of logic blocks surrounded by Programmable I/O Cells (PIC). Interspersed between the rows of logic blocks are rows of sysMEM™ Embedded Block RAM (EBR) and a row of sys-DSP™ Digital Signal Processing blocks as shown in Figure 2-1.

On the left and right sides of the Programmable Functional Unit (PFU) array, there are Non-volatile Memory Blocks. In configuration mode the nonvolatile memory is programmed via the IEEE 1149.1 TAP port or the sysCONFIG™ peripheral port. On power up, the configuration data is transferred from the Non-volatile Memory Blocks to the configuration SRAM. With this technology, expensive external configuration memory is not required, and designs are secured from unauthorized read-back. This transfer of data from non-volatile memory to configuration SRAM via wide busses happens in microseconds, providing an “instant-on” capability that allows easy interfacing in many applications. LatticeXP2 devices can also transfer data from the sysMEM EBR blocks to the Non-volatile Memory Blocks at user request.

There are two kinds of logic blocks, the PFU and the PFU without RAM (PFF). The PFU contains the building blocks for logic, arithmetic, RAM and ROM functions. The PFF block contains building blocks for logic, arithmetic and ROM functions. Both PFU and PFF blocks are optimized for flexibility allowing complex designs to be implemented quickly and efficiently. Logic Blocks are arranged in a two-dimensional array. Only one type of block is used per row.

LatticeXP2 devices contain one or more rows of sysMEM EBR blocks. sysMEM EBRs are large dedicated 18Kbit memory blocks. Each sysMEM block can be configured in a variety of depths and widths of RAM or ROM. In addition, LatticeXP2 devices contain up to two rows of DSP Blocks. Each DSP block has multipliers and adder/accumulators, which are the building blocks for complex signal processing capabilities.

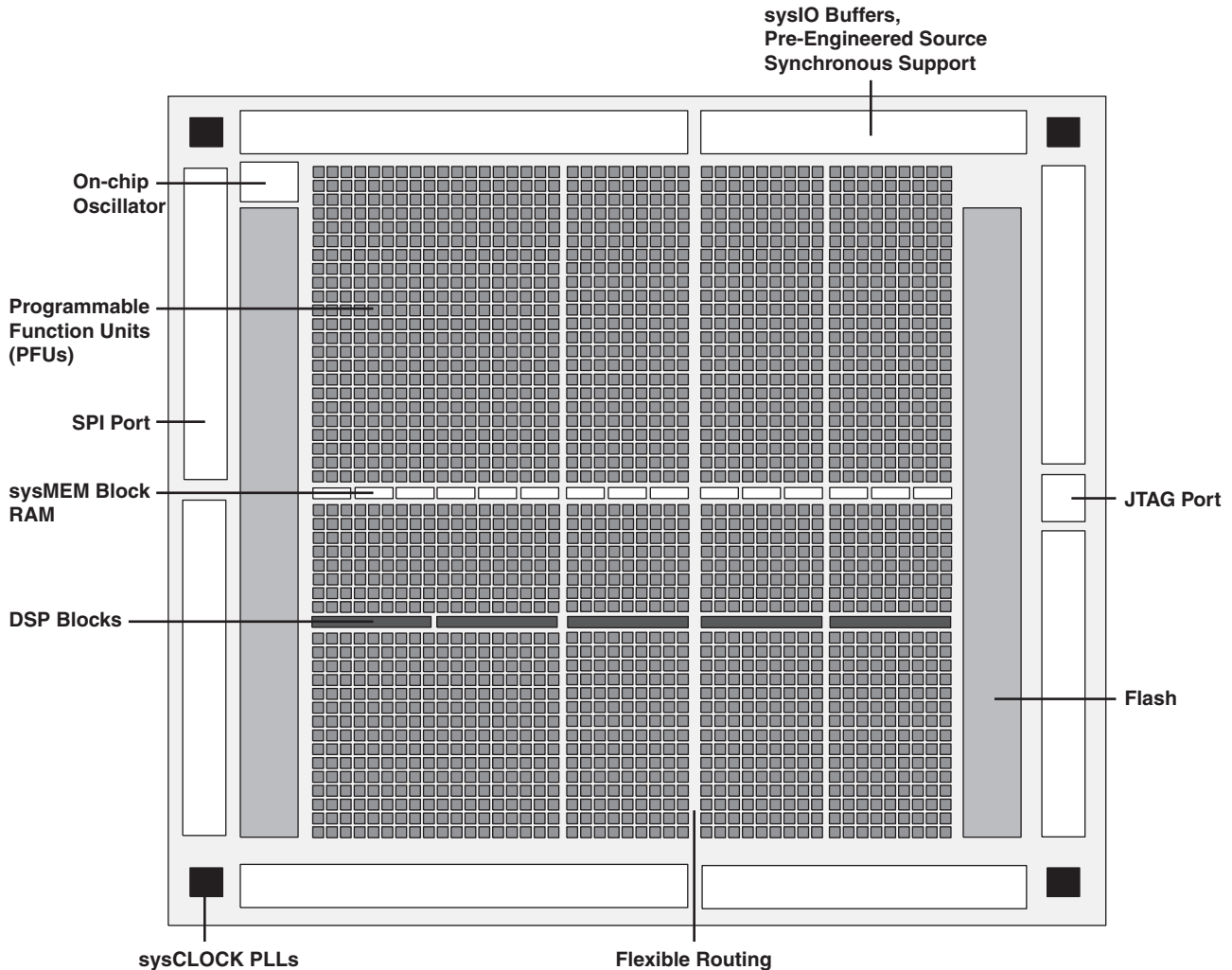
Each PIC block encompasses two PIOs (PIO pairs) with their respective sysIO buffers. The sysIO buffers of the LatticeXP2 devices are arranged into eight banks, allowing the implementation of a wide variety of I/O standards. PIO pairs on the left and right edges of the device can be configured as LVDS transmit/receive pairs. The PIC logic also includes pre-engineered support to aid in the implementation of high speed source synchronous standards such as 7:1 LVDS interfaces, found in many display applications, and memory interfaces including DDR and DDR2.

Other blocks provided include PLLs and configuration functions. The LatticeXP2 architecture provides up to four General Purpose PLLs (GPLL) per device. The GPLL blocks are located in the corners of the device.

The configuration block that supports features such as configuration bit-stream de-encryption, transparent updates and dual boot support is located between banks two and three. Every device in the LatticeXP2 family supports a sysCONFIG port, muxed with bank seven I/Os, which supports serial device configuration. A JTAG port is provided between banks two and three.

This family also provides an on-chip oscillator. LatticeXP2 devices use 1.2V as their core voltage.

Figure 2-1. Simplified Block Diagram, LatticeXP2-17 Device (Top Level)

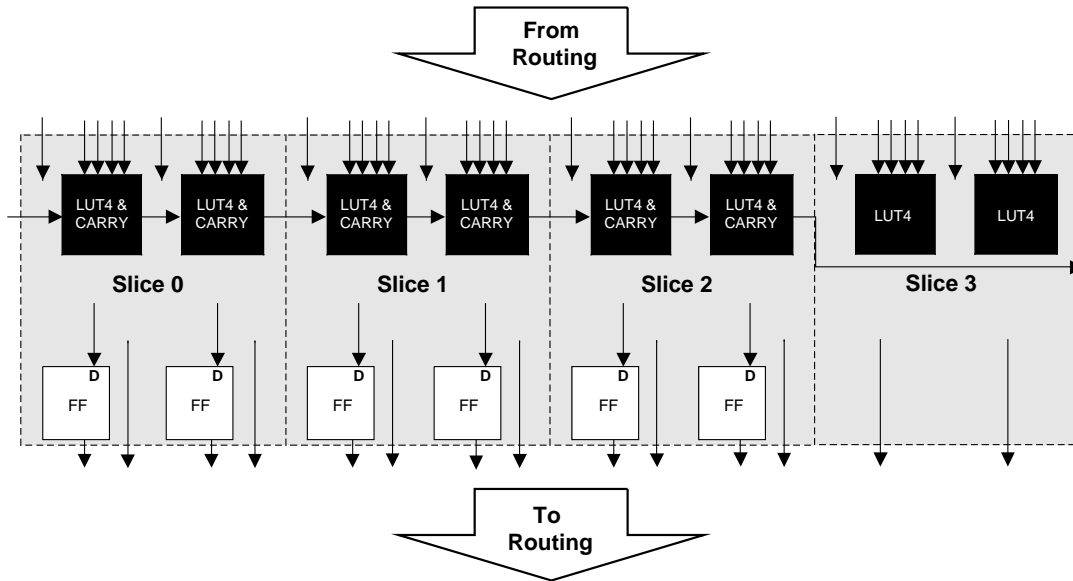


PFU Blocks

The core of the LatticeXP2 device is made up of logic blocks in two forms, PFUs and PFFs. PFUs can be programmed to perform logic, arithmetic, distributed RAM and distributed ROM functions. PFF blocks can be programmed to perform logic, arithmetic and ROM functions. Except where necessary, the remainder of this data sheet will use the term PFU to refer to both PFU and PFF blocks.

Each PFU block consists of four interconnected slices, numbered Slice 0 through Slice 3, as shown in Figure 2-2. All the interconnections to and from PFU blocks are from routing. There are 50 inputs and 23 outputs associated with each PFU block.

Figure 2-2. PFU Diagram



Slice

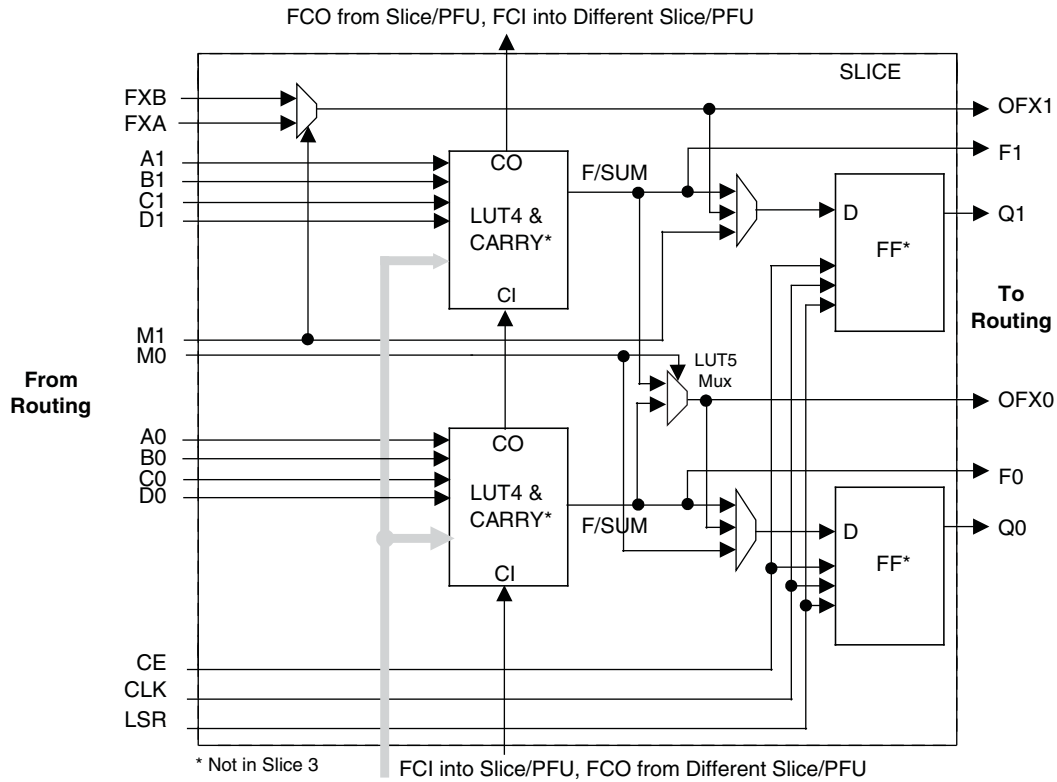
Slice 0 through Slice 2 contain two 4-input combinatorial Look-Up Tables (LUT4), which feed two registers. Slice 3 contains two LUT4s and no registers. For PFUs, Slice 0 and Slice 2 can also be configured as distributed memory, a capability not available in PFF blocks. Table 2-1 shows the capability of the slices in both PFF and PFU blocks along with the operation modes they enable. In addition, each PFU contains logic that allows the LUTs to be combined to perform functions such as LUT5, LUT6, LUT7 and LUT8. There is control logic to perform set/reset functions (programmable as synchronous/asynchronous), clock select, chip-select and wider RAM/ROM functions. Figure 2-3 shows an overview of the internal logic of the slice. The registers in the slice can be configured as positive/negative edge triggered or level sensitive clocks.

Table 2-1. Resources and Modes Available per Slice

Slice	PFU BLock		PFF Block	
	Resources	Modes	Resources	Modes
Slice 0	2 LUT4s and 2 Registers	Logic, Ripple, RAM, ROM	2 LUT4s and 2 Registers	Logic, Ripple, ROM
Slice 1	2 LUT4s and 2 Registers	Logic, Ripple, ROM	2 LUT4s and 2 Registers	Logic, Ripple, ROM
Slice 2	2 LUT4s and 2 Registers	Logic, Ripple, RAM, ROM	2 LUT4s and 2 Registers	Logic, Ripple, ROM
Slice 3	2 LUT4s	Logic, ROM	2 LUT4s	Logic, ROM

Slice 0 through Slice 2 have 14 input signals: 13 signals from routing and one from the carry-chain (from the adjacent slice or PFU). There are seven outputs: six to routing and one to carry-chain (to the adjacent PFU). Slice 3 has 13 input signals from routing and four signals to routing. Table 2-2 lists the signals associated with Slice 0 to Slice 2.

Figure 2-3. Slice Diagram



For Slices 0 and 2, memory control signals are generated from Slice 1 as follows:
 WCK is CLK
 WRE is from LSR
 DI[3:2] for Slice 2 and DI[1:0] for Slice 0 data
 WAD [A:D] is a 4bit address from slice 1 LUT input

Table 2-2. Slice Signal Descriptions

Function	Type	Signal Names	Description
Input	Data signal	A0, B0, C0, D0	Inputs to LUT4
Input	Data signal	A1, B1, C1, D1	Inputs to LUT4
Input	Multi-purpose	M0	Multipurpose Input
Input	Multi-purpose	M1	Multipurpose Input
Input	Control signal	CE	Clock Enable
Input	Control signal	LSR	Local Set/Reset
Input	Control signal	CLK	System Clock
Input	Inter-PFU signal	FCI	Fast Carry-In ¹
Input	Inter-slice signal	FXA	Intermediate signal to generate LUT6 and LUT7
Input	Inter-slice signal	FXB	Intermediate signal to generate LUT6 and LUT7
Output	Data signals	F0, F1	LUT4 output register bypass signals
Output	Data signals	Q0, Q1	Register outputs
Output	Data signals	OFX0	Output of a LUT5 MUX
Output	Data signals	OFX1	Output of a LUT6, LUT7, LUT8 ² MUX depending on the slice
Output	Inter-PFU signal	FCO	Slice 2 of each PFU is the fast carry chain output ¹

1. See Figure 2-3 for connection details.

2. Requires two PFUs.

Modes of Operation

Each slice has up to four potential modes of operation: Logic, Ripple, RAM and ROM.

Logic Mode

In this mode, the LUTs in each slice are configured as LUT4s. A LUT4 has 16 possible input combinations. Four-input logic functions are generated by programming the LUT4. Since there are two LUT4s per slice, a LUT5 can be constructed within one slice. Larger LUTs such as LUT6, LUT7 and LUT8, can be constructed by concatenating two or more slices. Note that a LUT8 requires more than four slices.

Ripple Mode

Ripple mode allows efficient implementation of small arithmetic functions. In ripple mode, the following functions can be implemented by each slice:

- Addition 2-bit
- Subtraction 2-bit
- Add/Subtract 2-bit using dynamic control
- Up counter 2-bit
- Down counter 2-bit
- Up/Down counter with async clear
- Up/Down counter with preload (sync)
- Ripple mode multiplier building block
- Multiplier support
- Comparator functions of A and B inputs
 - A greater-than-or-equal-to B
 - A not-equal-to B
 - A less-than-or-equal-to B

Two carry signals, FCI and FCO, are generated per slice in this mode, allowing fast arithmetic functions to be constructed by concatenating slices.

RAM Mode

In this mode, a 16x4-bit distributed Single Port RAM (SPR) can be constructed using each LUT block in Slice 0 and Slice 2 as a 16x1-bit memory. Slice 1 is used to provide memory address and control signals. A 16x2-bit Pseudo Dual Port RAM (PDPR) memory is created by using one slice as the read-write port and the other companion slice as the read-only port.

The Lattice design tools support the creation of a variety of different size memories. Where appropriate, the software will construct these using distributed memory primitives that represent the capabilities of the PFU. Table 2-3 shows the number of slices required to implement different distributed RAM primitives. For more information on using RAM in LatticeXP2 devices, please see TN1137, [LatticeXP2 Memory Usage Guide](#).

Table 2-3. Number of Slices Required For Implementing Distributed RAM

	SPR 16X4	PDPR 16X4
Number of slices	3	3

Note: SPR = Single Port RAM, PDPR = Pseudo Dual Port RAM

ROM Mode

ROM mode uses the LUT logic; hence, Slices 0 through 3 can be used in the ROM mode. Preloading is accomplished through the programming interface during PFU configuration.

Routing

There are many resources provided in the LatticeXP2 devices to route signals individually or as busses with related control signals. The routing resources consist of switching circuitry, buffers and metal interconnect (routing) segments.

The inter-PFU connections are made with x1 (spans two PFU), x2 (spans three PFU) or x6 (spans seven PFU) connections. The x1 and x2 connections provide fast and efficient connections in horizontal and vertical directions. The x2 and x6 resources are buffered to allow both short and long connections routing between PFUs.

The LatticeXP2 family has an enhanced routing architecture to produce a compact design. The Diamond design tool takes the output of the synthesis tool and places and routes the design. Generally, the place and route tool is completely automatic, although an interactive routing editor is available to optimize the design.

sysCLOCK Phase Locked Loops (PLL)

The sysCLOCK PLLs provide the ability to synthesize clock frequencies. The LatticeXP2 family supports between two and four full featured General Purpose PLLs (GPLL). The architecture of the GPLL is shown in Figure 2-4.

CLKI, the PLL reference frequency, is provided either from the pin or from routing; it feeds into the Input Clock Divider block. CLKFB, the feedback signal, is generated from CLKOP (the primary clock output) or from a user clock pin/logic. CLKFB feeds into the Feedback Divider and is used to multiply the reference frequency.

Both the input path and feedback signals enter the Voltage Controlled Oscillator (VCO) block. The phase and frequency of the VCO are determined from the input path and feedback signals. A LOCK signal is generated by the VCO to indicate that the VCO is locked with the input clock signal.

The output of the VCO feeds into the CLKOP Divider, a post-scalar divider. The duty cycle of the CLKOP Divider output can be fine tuned using the Duty Trim block, which creates the CLKOP signal. By allowing the VCO to operate at higher frequencies than CLKOP, the frequency range of the GPLL is expanded. The output of the CLKOP Divider is passed through the CLKOK Divider, a secondary clock divider, to generate lower frequencies for the CLKOK output. For applications that require even lower frequencies, the CLKOP signal is passed through a divide-by-three divider to produce the CLKOK2 output. The CLKOK2 output is provided for applications that use source synchronous logic. The Phase/Duty Cycle/Duty Trim block is used to adjust the phase and duty cycle of the CLKOP Divider output to generate the CLKOS signal. The phase/duty cycle setting can be pre-programmed or dynamically adjusted.

The clock outputs from the GPLL; CLKOP, CLKOK, CLKOK2 and CLKOS, are fed to the clock distribution network.

For further information on the GPLL please see TN1126, [LatticeXP2 sysCLOCK PLL Design and Usage Guide](#).

Figure 2-4. General Purpose PLL (GPLL) Diagram

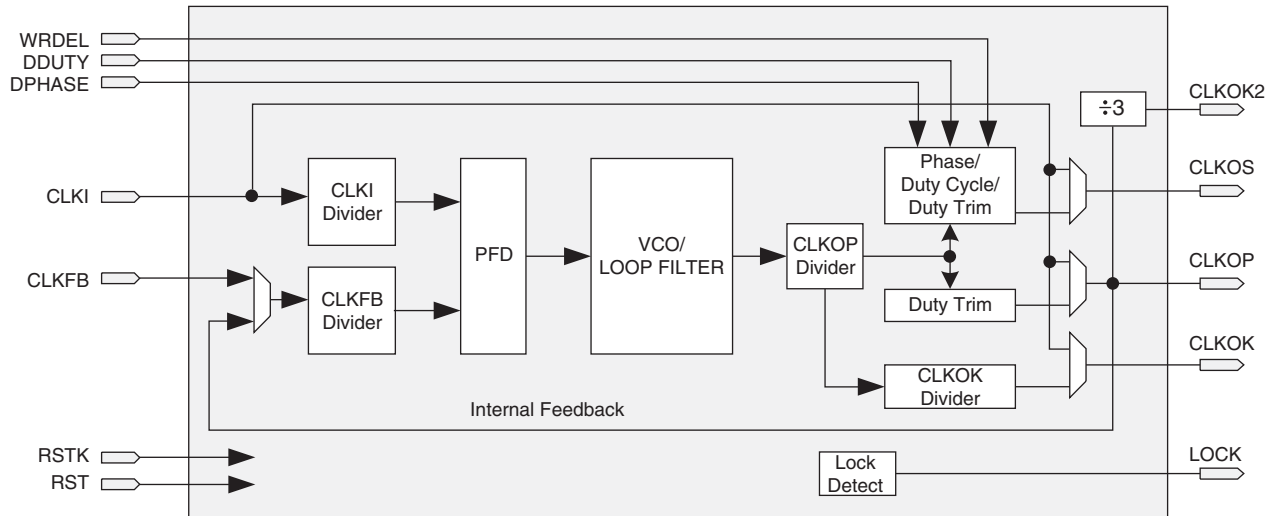


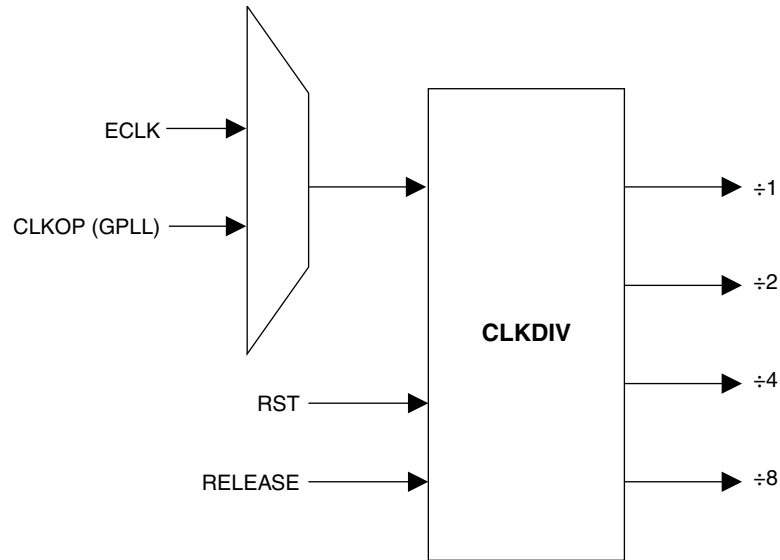
Table 2-4 provides a description of the signals in the GPLL blocks.

Table 2-4. GPLL Block Signal Descriptions

Signal	I/O	Description
CLKI	I	Clock input from external pin or routing
CLKFB	I	PLL feedback input from CLKOP (PLL internal), from clock net (CLKOP) or from a user clock (PIN or logic)
RST	I	“1” to reset PLL counters, VCO, charge pumps and M-dividers
RSTK	I	“1” to reset K-divider
DPHASE [3:0]	I	DPA Phase Adjust input
DDUTY [3:0]	I	DPA Duty Cycle Select input
WRDEL	I	DPA Fine Delay Adjust input
CLKOS	O	PLL output clock to clock tree (phase shifted/duty cycle changed)
CLKOP	O	PLL output clock to clock tree (no phase shift)
CLKOK	O	PLL output to clock tree through secondary clock divider
CLKOK2	O	PLL output to clock tree (CLKOP divided by 3)
LOCK	O	“1” indicates PLL LOCK to CLKI

Clock Dividers

LatticeXP2 devices have two clock dividers, one on the left side and one on the right side of the device. These are intended to generate a slower-speed system clock from a high-speed edge clock. The block operates in a $\div 2$, $\div 4$ or $\div 8$ mode and maintains a known phase relationship between the divided down clock and the high-speed clock based on the release of its reset signal. The clock dividers can be fed from the CLKOP output from the GPLLs or from the Edge Clocks (ECLK). The clock divider outputs serve as primary clock sources and feed into the clock distribution network. The Reset (RST) control signal resets the input and forces all outputs to low. The RELEASE signal releases outputs to the input clock. For further information on clock dividers, please see TN1126, [LatticeXP2 sysCLOCK PLL Design and Usage Guide](#). Figure 2-5 shows the clock divider connections.

Figure 2-5. Clock Divider Connections

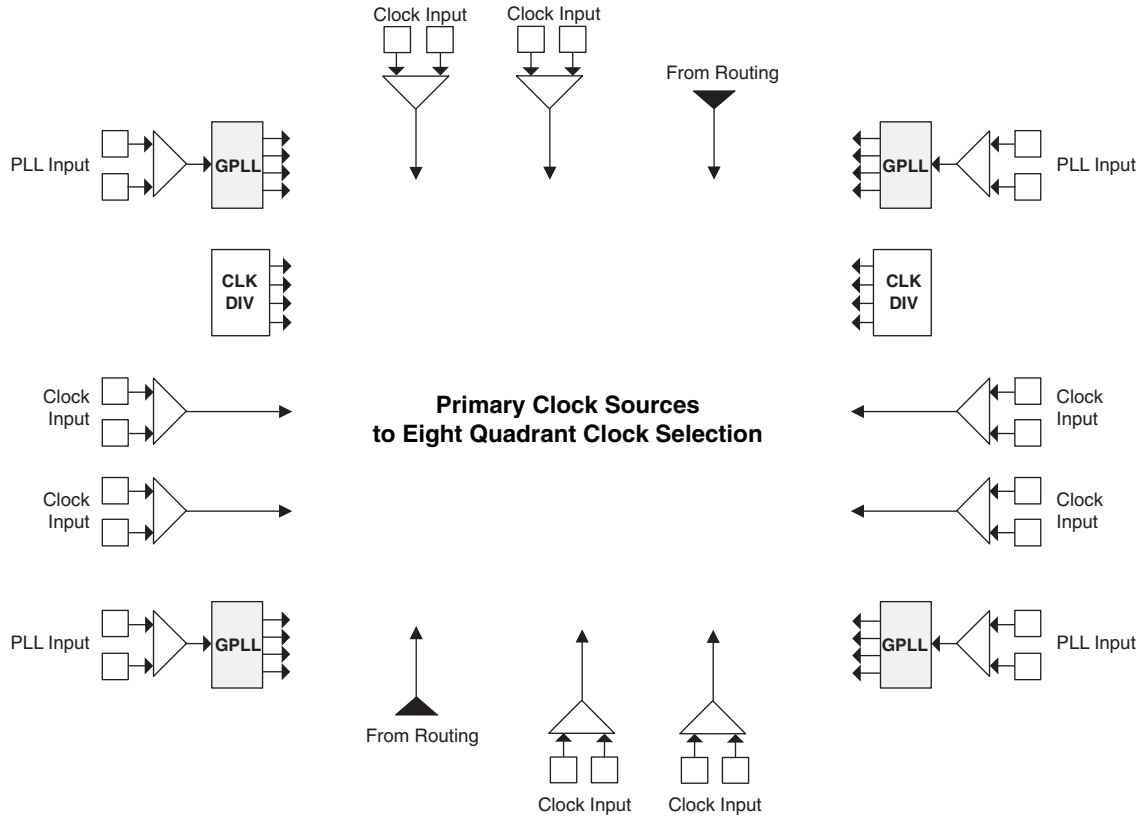
Clock Distribution Network

LatticeXP2 devices have eight quadrant-based primary clocks and between six and eight flexible region-based secondary clocks/control signals. Two high performance edge clocks are available on each edge of the device to support high speed interfaces. The clock inputs are selected from external I/Os, the sysCLOCK PLLs, or routing. Clock inputs are fed throughout the chip via the primary, secondary and edge clock networks.

Primary Clock Sources

LatticeXP2 devices derive primary clocks from four sources: PLL outputs, CLKDIV outputs, dedicated clock inputs and routing. LatticeXP2 devices have two to four sysCLOCK PLLs, located in the four corners of the device. There are eight dedicated clock inputs, two on each side of the device. Figure 2-6 shows the primary clock sources.

Figure 2-6. Primary Clock Sources for XP2-17



Note: This diagram shows sources for the XP2-17 device. Smaller LatticeXP2 devices have two GPLLs.

Secondary Clock/Control Sources

LatticeXP2 devices derive secondary clocks (SC0 through SC7) from eight dedicated clock input pads and the rest from routing. Figure 2-7 shows the secondary clock sources.

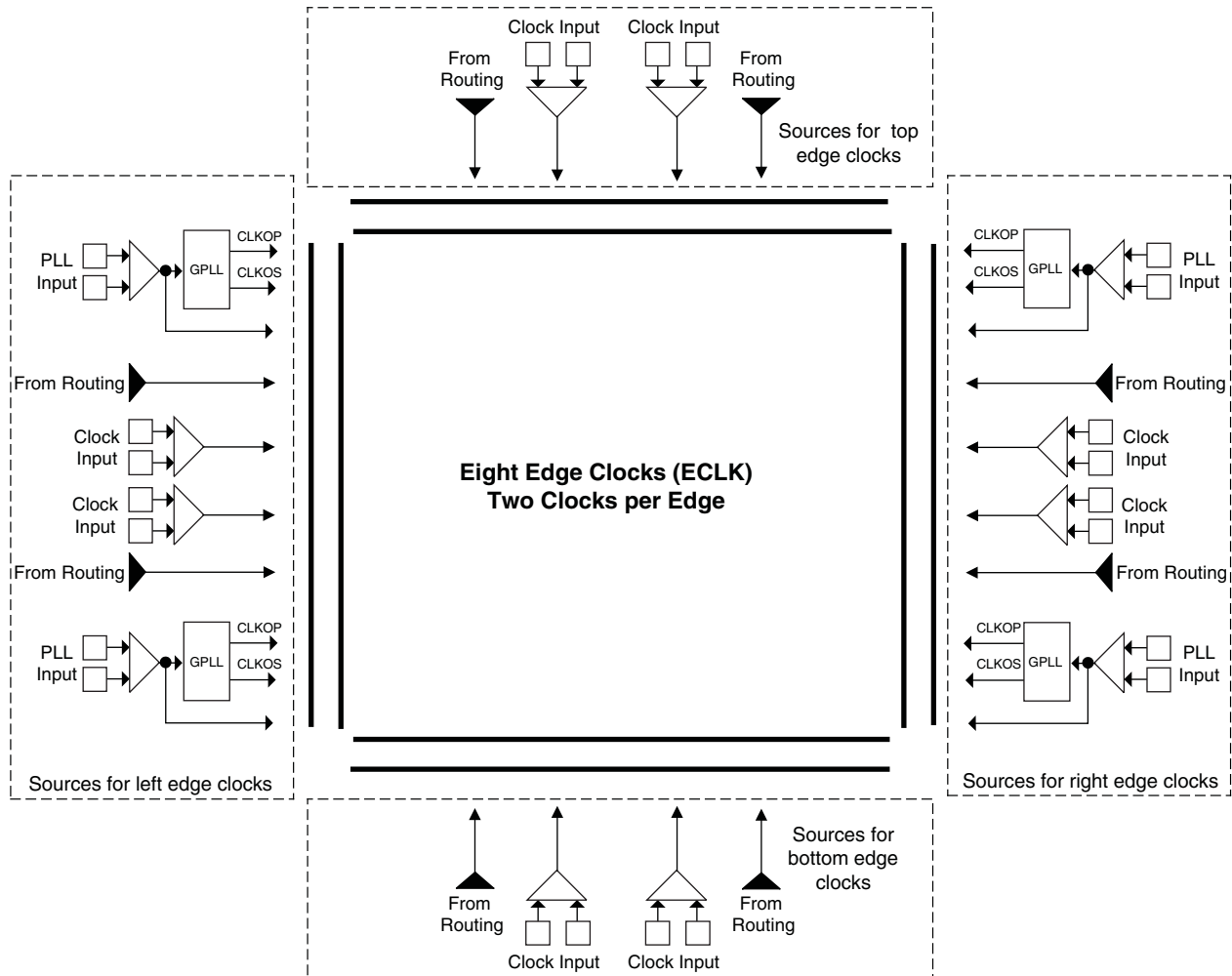
Figure 2-7. Secondary Clock Sources



Edge Clock Sources

Edge clock resources can be driven from a variety of sources at the same edge. Edge clock resources can be driven from adjacent edge clock PIOs, primary clock PIOs, PLLs and clock dividers as shown in Figure 2-8.

Figure 2-8. Edge Clock Sources

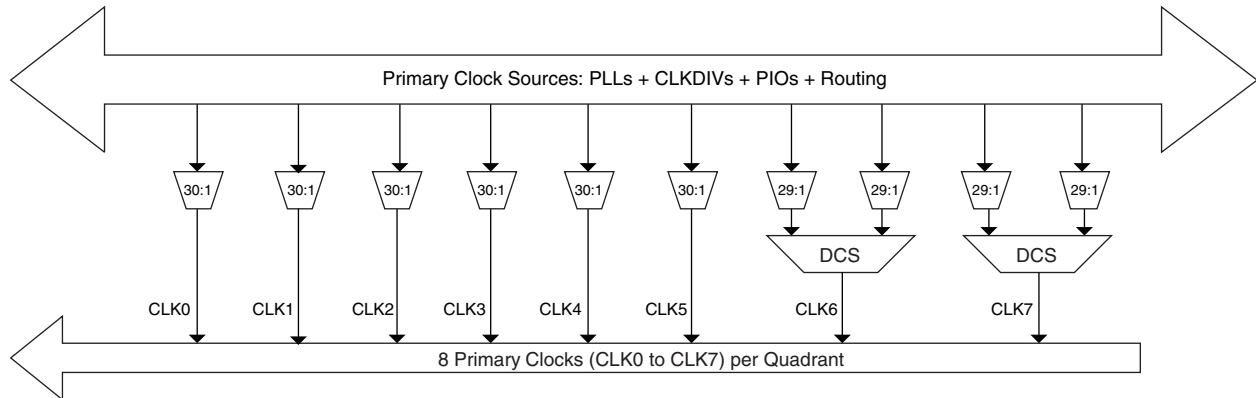


Note: This diagram shows sources for the XP2-17 device. Smaller LatticeXP2 devices have two GPLLs.

Primary Clock Routing

The clock routing structure in LatticeXP2 devices consists of a network of eight primary clock lines (CLK0 through CLK7) per quadrant. The primary clocks of each quadrant are generated from muxes located in the center of the device. All the clock sources are connected to these muxes. Figure 2-9 shows the clock routing for one quadrant. Each quadrant mux is identical. If desired, any clock can be routed globally.

Figure 2-9. Per Quadrant Primary Clock Selection



Dynamic Clock Select (DCS)

The DCS is a smart multiplexer function available in the primary clock routing. It switches between two independent input clock sources without any glitches or runt pulses. This is achieved irrespective of when the select signal is toggled. There are two DCS blocks per quadrant; in total, eight DCS blocks per device. The inputs to the DCS block come from the center muxes. The output of the DCS is connected to primary clocks CLK6 and CLK7 (see Figure 2-9).

Figure 2-10 shows the timing waveforms of the default DCS operating mode. The DCS block can be programmed to other modes. For more information on the DCS, please see TN1126, [LatticeXP2 sysCLOCK PLL Design and Usage Guide](#).

Figure 2-10. DCS Waveforms



Secondary Clock/Control Routing

Secondary clocks in the LatticeXP2 devices are region-based resources. The benefit of region-based resources is the relatively low injection delay and skew within the region, as compared to primary clocks. EBR rows, DSP rows and a special vertical routing channel bound the secondary clock regions. This special vertical routing channel aligns with either the left edge of the center DSP block in the DSP row or the center of the DSP row. Figure 2-11 shows this special vertical routing channel and the eight secondary clock regions for the LatticeXP2-40.

LatticeXP2-30 and smaller devices have six secondary clock regions. All devices in the LatticeXP2 family have four secondary clocks (SC0 to SC3) which are distributed to every region.

The secondary clock muxes are located in the center of the device. Figure 2-12 shows the mux structure of the secondary clock routing. Secondary clocks SC0 to SC3 are used for clock and control and SC4 to SC7 are used for high fan-out signals.

Figure 2-11. Secondary Clock Regions XP2-40

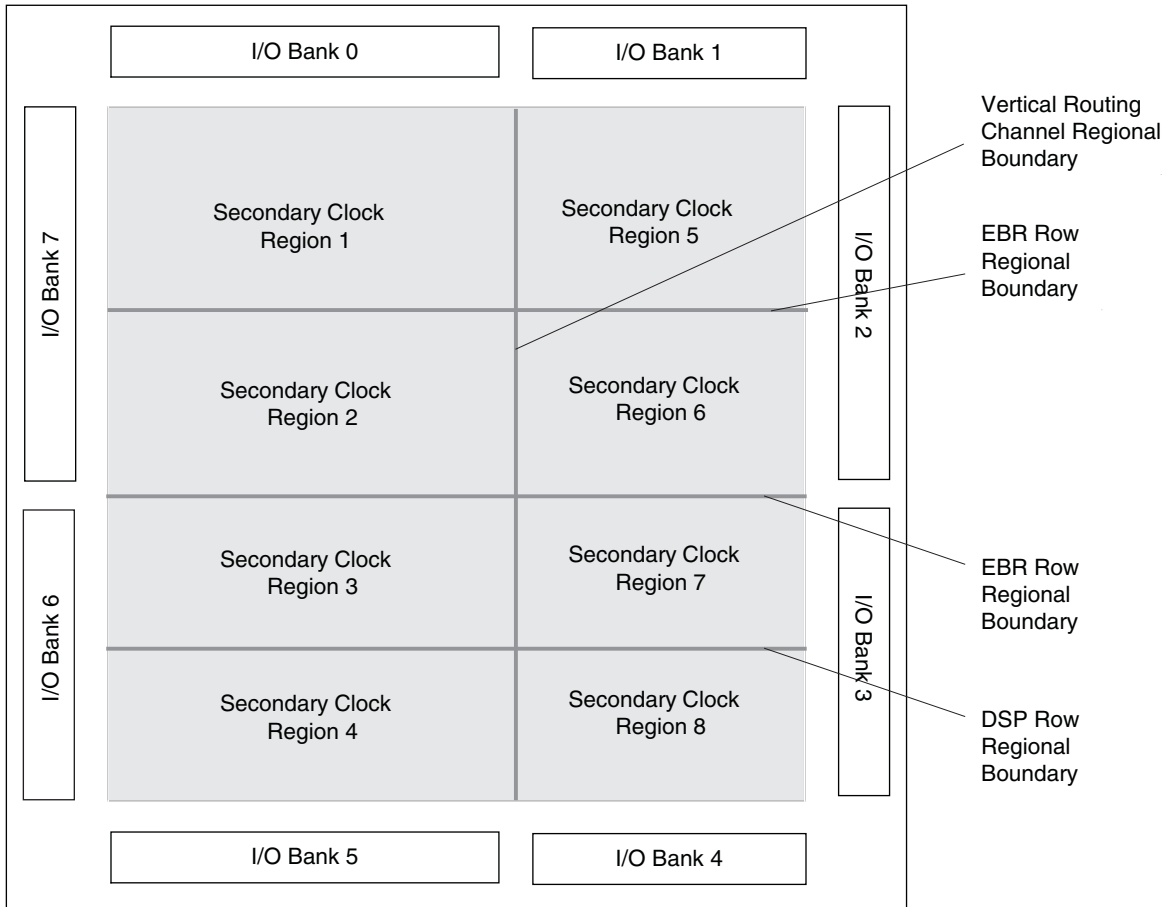
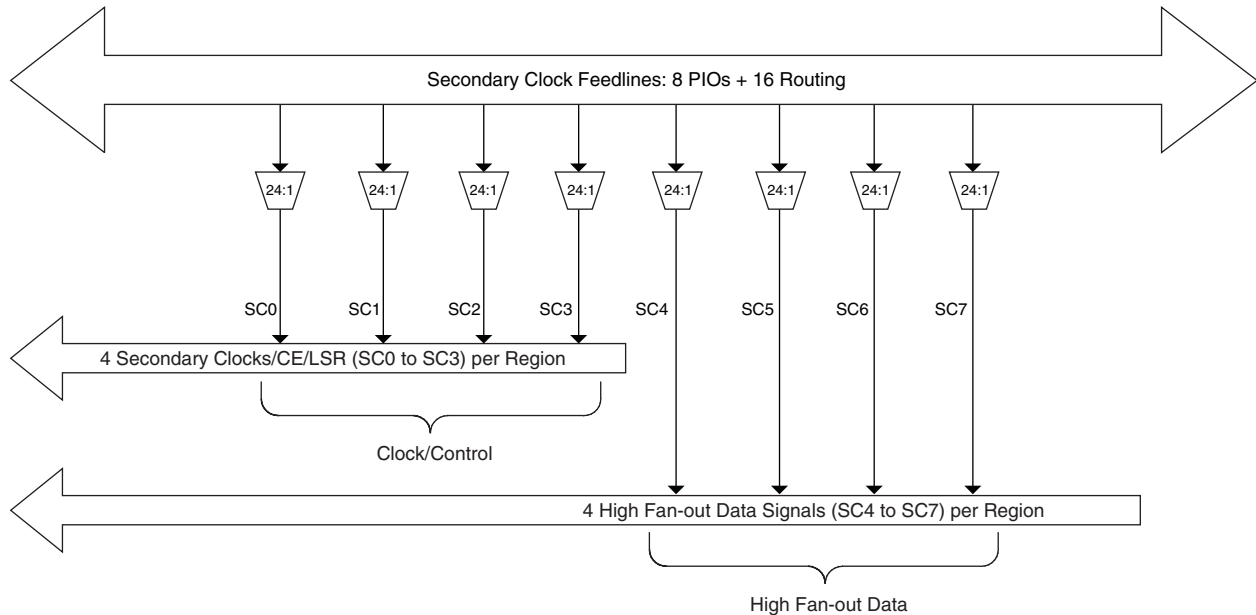


Figure 2-12. Secondary Clock Selection



Slice Clock Selection

Figure 2-13 shows the clock selections and Figure 2-14 shows the control selections for Slice0 through Slice2. All the primary clocks and the four secondary clocks are routed to this clock selection mux. Other signals, via routing, can be used as clock inputs to the slices. Slice controls are generated from the secondary clocks or other signals connected via routing.

If none of the signals are selected for both clock and control, then the default value of the mux output is 1. Slice 3 does not have any registers; therefore it does not have the clock or control muxes.

Figure 2-13. Slice0 through Slice2 Clock Selection

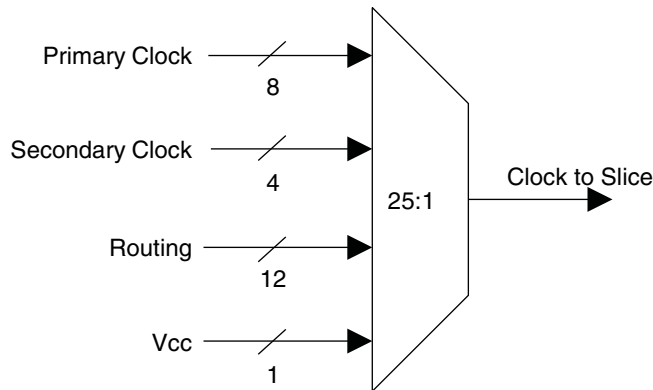


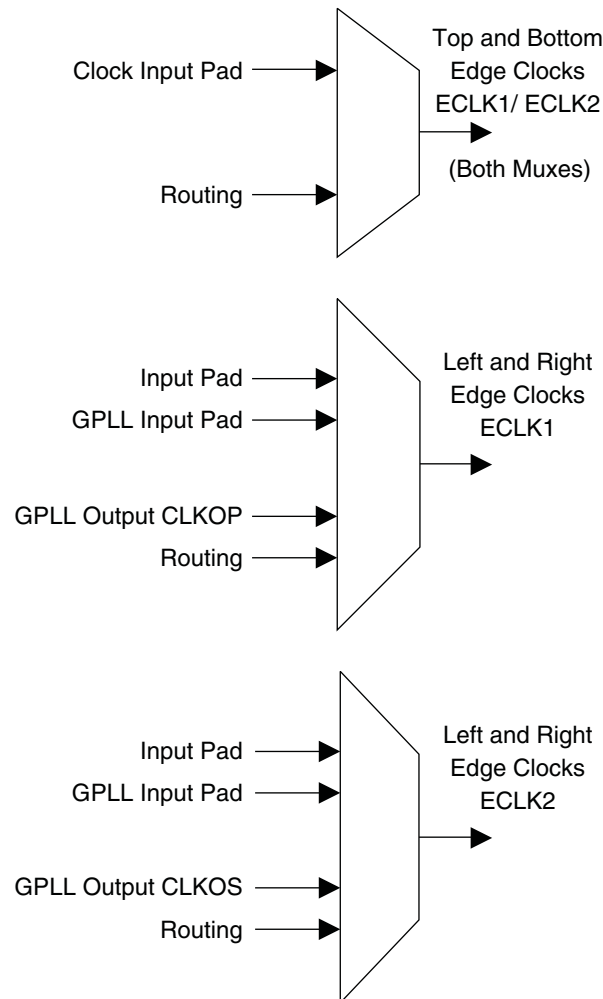
Figure 2-14. Slice0 through Slice2 Control Selection



Edge Clock Routing

LatticeXP2 devices have eight high-speed edge clocks that are intended for use with the PIOs in the implementation of high-speed interfaces. Each device has two edge clocks per edge. Figure 2-15 shows the selection muxes for these clocks.

Figure 2-15. Edge Clock Mux Connections



sysMEM Memory

LatticeXP2 devices contains a number of sysMEM Embedded Block RAM (EBR). The EBR consists of 18 Kbit RAM with dedicated input and output registers.

sysMEM Memory Block

The sysMEM block can implement single port, dual port or pseudo dual port memories. Each block can be used in a variety of depths and widths as shown in Table 2-5. FIFOs can be implemented in sysMEM EBR blocks by using support logic with PFUs. The EBR block supports an optional parity bit for each data byte to facilitate parity checking. EBR blocks provide byte-enable support for configurations with 18-bit and 36-bit data widths.

Table 2-5. sysMEM Block Configurations

Memory Mode	Configurations
Single Port	16,384 x 1
	8,192 x 2
	4,096 x 4
	2,048 x 9
	1,024 x 18
True Dual Port	512 x 36
	16,384 x 1
	8,192 x 2
	4,096 x 4
	2,048 x 9
Pseudo Dual Port	1,024 x 18
	16,384 x 1
	8,192 x 2
	4,096 x 4
	2,048 x 9
Pseudo Dual Port	512 x 36
	1,024 x 18
	2,048 x 9
	4,096 x 4
	8,192 x 2
Pseudo Dual Port	16,384 x 1

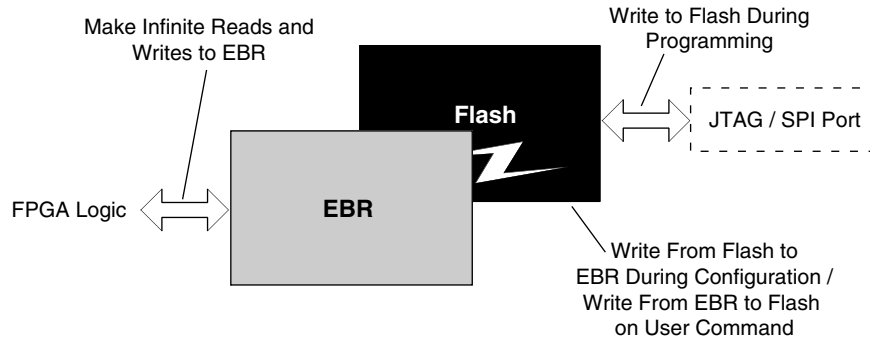
Bus Size Matching

All of the multi-port memory modes support different widths on each of the ports. The RAM bits are mapped LSB word 0 to MSB word 0, LSB word 1 to MSB word 1, and so on. Although the word size and number of words for each port varies, this mapping scheme applies to each port.

FlashBAK EBR Content Storage

All the EBR memory in the LatticeXP2 is shadowed by Flash memory. Optionally, initialization values for the memory blocks can be defined using the Lattice Diamond design tools. The initialization values are loaded into the Flash memory during device programming and into the SRAM at power up or whenever the device is reconfigured. This feature is ideal for the storage of a variety of information such as look-up tables and microprocessor code. It is also possible to write the current contents of the EBR memory back to Flash memory. This capability is useful for the storage of data such as error codes and calibration information. For additional information on the FlashBAK capability see TN1137, [LatticeXP2 Memory Usage Guide](#).

Figure 2-16. FlashBAK Technology



Memory Cascading

Larger and deeper blocks of RAMs can be created using EBR sysMEM Blocks. Typically, the Lattice design tools cascade memory transparently, based on specific design inputs.

Single, Dual and Pseudo-Dual Port Modes

In all the sysMEM RAM modes the input data and address for the ports are registered at the input of the memory array. The output data of the memory is optionally registered at the output.

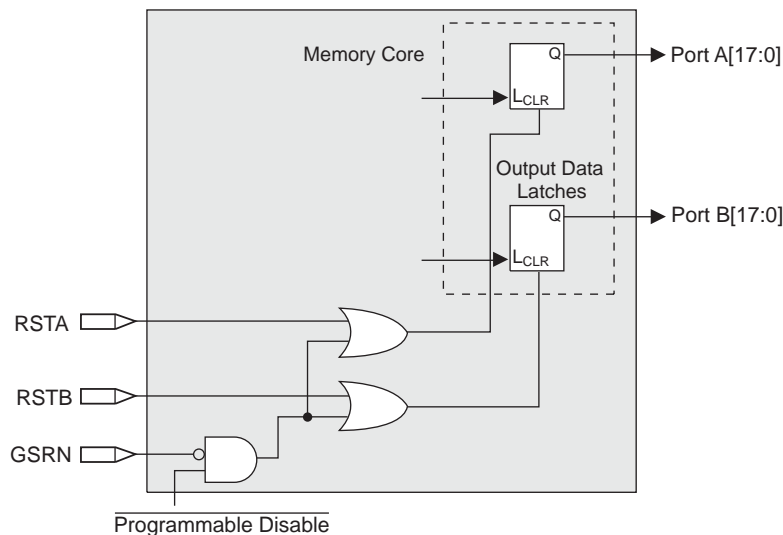
EBR memory supports two forms of write behavior for single port or dual port operation:

1. Normal – Data on the output appears only during a read cycle. During a write cycle, the data (at the current address) does not appear on the output. This mode is supported for all data widths.
2. Write Through – A copy of the input data appears at the output of the same port during a write cycle. This mode is supported for all data widths.

Memory Core Reset

The memory array in the EBR utilizes latches at the A and B output ports. These latches can be reset asynchronously or synchronously. RSTA and RSTB are local signals, which reset the output latches associated with Port A and Port B respectively. GSRN, the global reset signal, resets both ports. The output data latches and associated resets for both ports are as shown in Figure 2-17.

Figure 2-17. Memory Core Reset

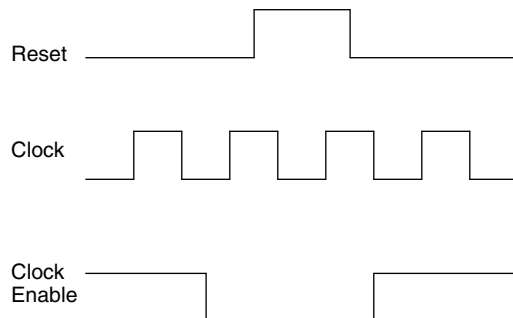


For further information on the sysMEM EBR block, please see TN1137, [LatticeXP2 Memory Usage Guide](#).

EBR Asynchronous Reset

EBR asynchronous reset or GSR (if used) can only be applied if all clock enables are low for a clock cycle before the reset is applied and released a clock cycle after the low-to-high transition of the reset signal, as shown in Figure 2-18. The GSR input to the EBR is always asynchronous.

Figure 2-18. EBR Asynchronous Reset (Including GSR) Timing Diagram



If all clock enables remain enabled, the EBR asynchronous reset or GSR may only be applied and released after the EBR read and write clock inputs are in a steady state condition for a minimum of $1/f_{MAX}$ (EBR clock). The reset release must adhere to the EBR synchronous reset setup time before the next active read or write clock edge.

If an EBR is pre-loaded during configuration, the GSR input must be disabled or the release of the GSR during device Wake Up must occur before the release of the device I/Os becoming active.

These instructions apply to all EBR RAM and ROM implementations.

Note that there are no reset restrictions if the EBR synchronous reset is used and the EBR GSR input is disabled.

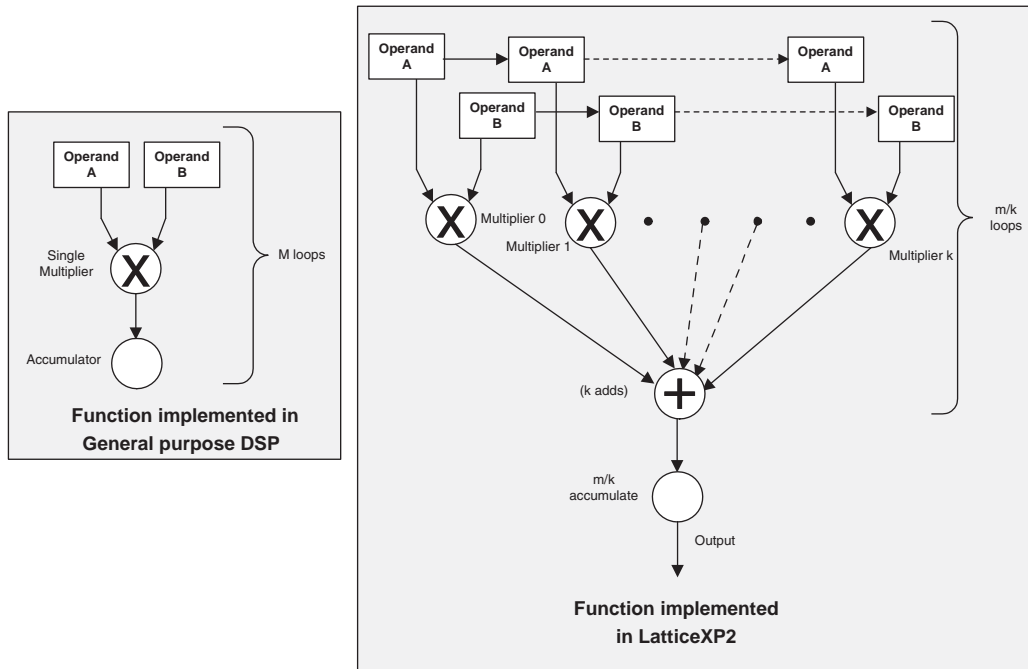
sysDSP™ Block

The LatticeXP2 family provides a sysDSP block making it ideally suited for low cost, high performance Digital Signal Processing (DSP) applications. Typical functions used in these applications include Bit Correlators, Fast Fourier Transform (FFT) functions, Finite Impulse Response (FIR) Filter, Reed-Solomon Encoder/Decoder, Turbo Encoder/Decoder and Convolutional Encoder/Decoder. These complex signal processing functions use similar building blocks such as multiply-adders and multiply-accumulators.

sysDSP Block Approach Compare to General DSP

Conventional general-purpose DSP chips typically contain one to four (Multiply and Accumulate) MAC units with fixed data-width multipliers; this leads to limited parallelism and limited throughput. Their throughput is increased by higher clock speeds. The LatticeXP2 family, on the other hand, has many DSP blocks that support different data-widths. This allows the designer to use highly parallel implementations of DSP functions. The designer can optimize the DSP performance vs. area by choosing appropriate levels of parallelism. Figure 2-19 compares the fully serial and the mixed parallel and serial implementations.

Figure 2-19. Comparison of General DSP and LatticeXP2 Approaches



sysDSP Block Capabilities

The sysDSP block in the LatticeXP2 family supports four functional elements in three 9, 18 and 36 data path widths. The user selects a function element for a DSP block and then selects the width and type (signed/unsigned) of its operands. The operands in the LatticeXP2 family sysDSP Blocks can be either signed or unsigned but not mixed within a function element. Similarly, the operand widths cannot be mixed within a block. DSP elements can be concatenated.

The resources in each sysDSP block can be configured to support the following four elements:

- MULT (Multiply)
- MAC (Multiply, Accumulate)
- MULTADDSUB (Multiply, Addition/Subtraction)
- MULTADDSUBSUM (Multiply, Addition/Subtraction, Accumulate)

The number of elements available in each block depends on the width selected from the three available options: x9, x18, and x36. A number of these elements are concatenated for highly parallel implementations of DSP functions. Table 2-6 shows the capabilities of the block.

Table 2-6. Maximum Number of Elements in a Block

Width of Multiply	x9	x18	x36
MULT	8	4	1
MAC	2	2	—
MULTADDSUB	4	2	—
MULTADDSUBSUM	2	1	—

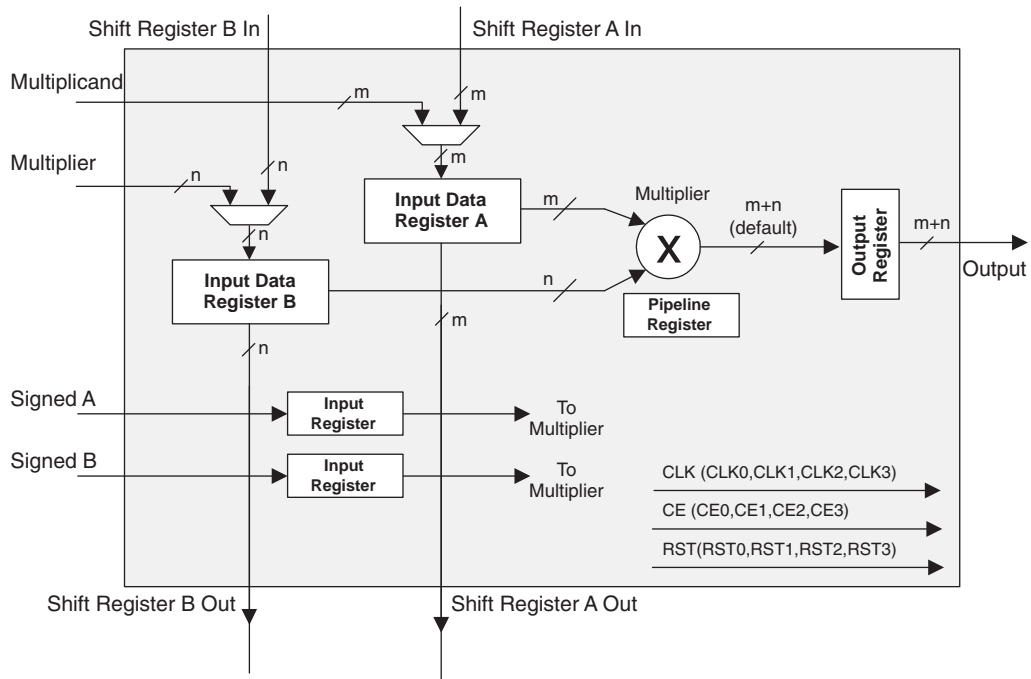
Some options are available in four elements. The input register in all the elements can be directly loaded or can be loaded as shift register from previous operand registers. By selecting ‘dynamic operation’ the following operations are possible:

- In the 'Signed/Unsigned' options the operands can be switched between signed and unsigned on every cycle.
- In the 'Add/Sub' option the Accumulator can be switched between addition and subtraction on every cycle.
- The loading of operands can switch between parallel and serial operations.

MULT sysDSP Element

This multiplier element implements a multiply with no addition or accumulator nodes. The two operands, A and B, are multiplied and the result is available at the output. The user can enable the input/output and pipeline registers. Figure 2-20 shows the MULT sysDSP element.

Figure 2-20. MULT sysDSP Element



MAC sysDSP Element

In this case, the two operands, A and B, are multiplied and the result is added with the previous accumulated value. This accumulated value is available at the output. The user can enable the input and pipeline registers but the output register is always enabled. The output register is used to store the accumulated value. The Accumulators in the DSP blocks in LatticeXP2 family can be initialized dynamically. A registered overflow signal is also available. The overflow conditions are provided later in this document. Figure 2-21 shows the MAC sysDSP element.

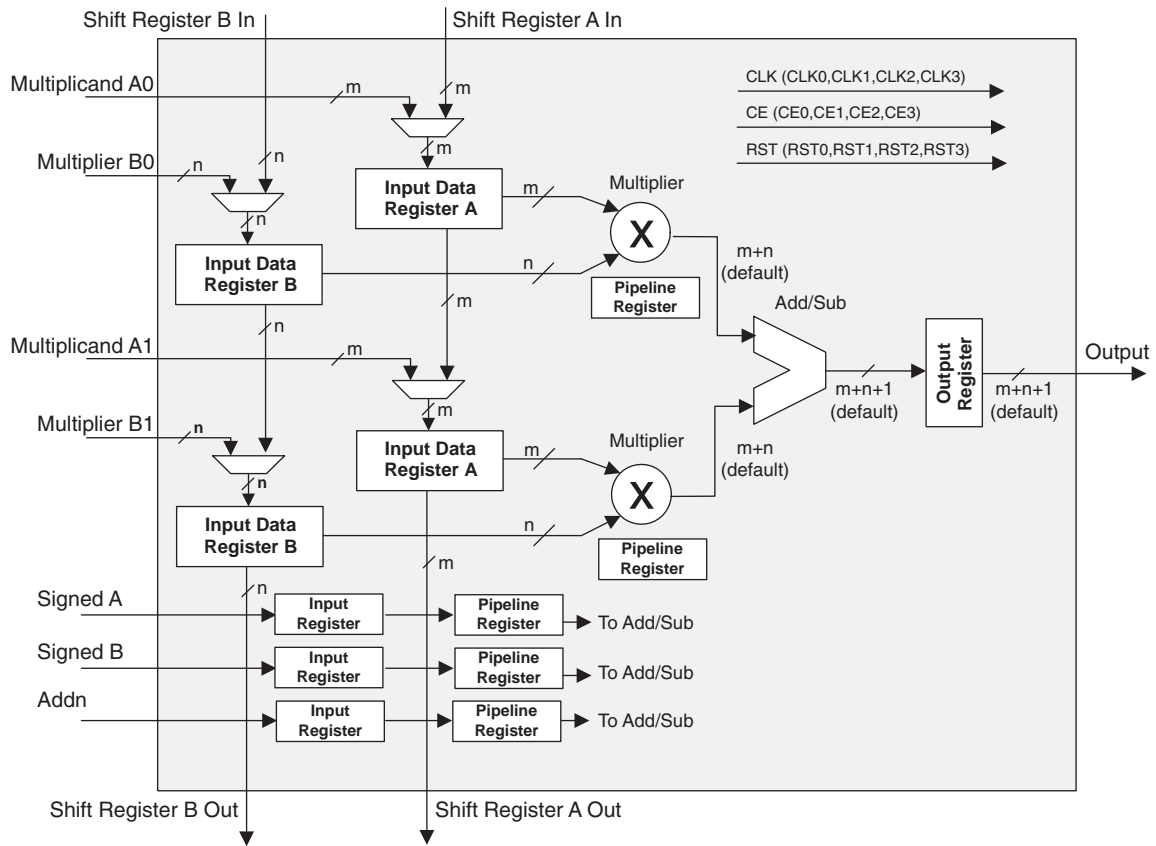
Figure 2-21. MAC sysDSP



MULTADDSUB sysDSP Element

In this case, the operands A0 and B0 are multiplied and the result is added/subtracted with the result of the multiplier operation of operands A1 and B1. The user can enable the input, output and pipeline registers. Figure 2-22 shows the MULTADDSUB sysDSP element.

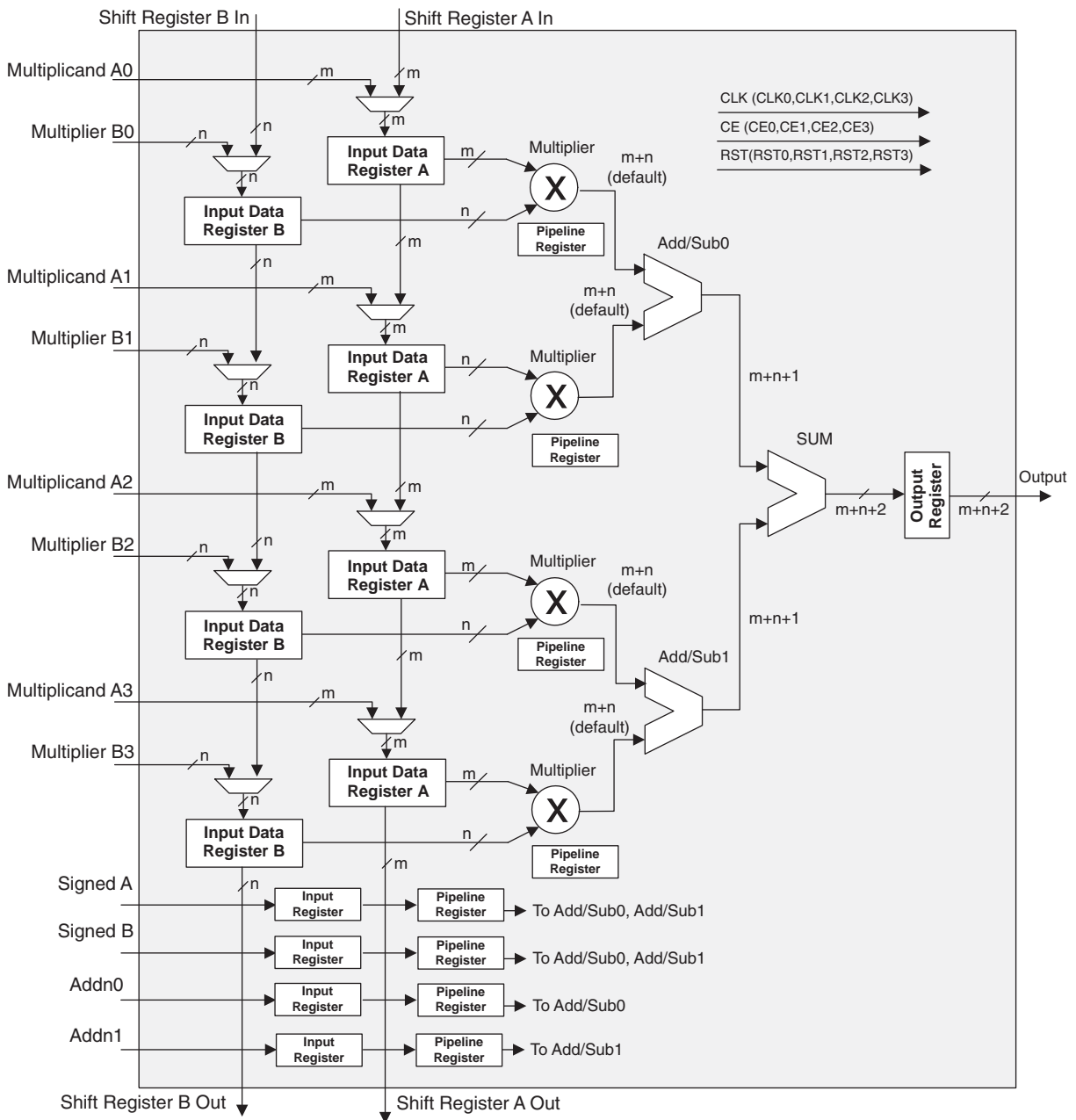
Figure 2-22. MULTADDSUB



MULTADDSUBSUM sysDSP Element

In this case, the operands A0 and B0 are multiplied and the result is added/subtracted with the result of the multiplier operation of operands A1 and B1. Additionally the operands A2 and B2 are multiplied and the result is added/subtracted with the result of the multiplier operation of operands A3 and B3. The result of both addition/subtraction are added in a summation block. The user can enable the input, output and pipeline registers. Figure 2-23 shows the MULTADDSUBSUM sysDSP element.

Figure 2-23. MULTADDSUBSUM



Clock, Clock Enable and Reset Resources

Global Clock, Clock Enable (CE) and Reset (RST) signals from routing are available to every DSP block. From four clock sources (CLK0, CLK1, CLK2, CLK3) one clock is selected for each input register, pipeline register and output

register. Similarly, CE and RST are selected from their four respective sources (CE0, CE1, CE2, CE3 and RST0, RST1, RST2, RST3) at each input register, pipeline register and output register.

Signed and Unsigned with Different Widths

The DSP block supports other widths, in addition to x9, x18 and x36 widths, of signed and unsigned multipliers. For unsigned operands, unused upper data bits should be filled to create a valid x9, x18 or x36 operand. For signed two's complement operands, sign extension of the most significant bit should be performed until x9, x18 or x36 width is reached. Table 2-7 provides an example of this.

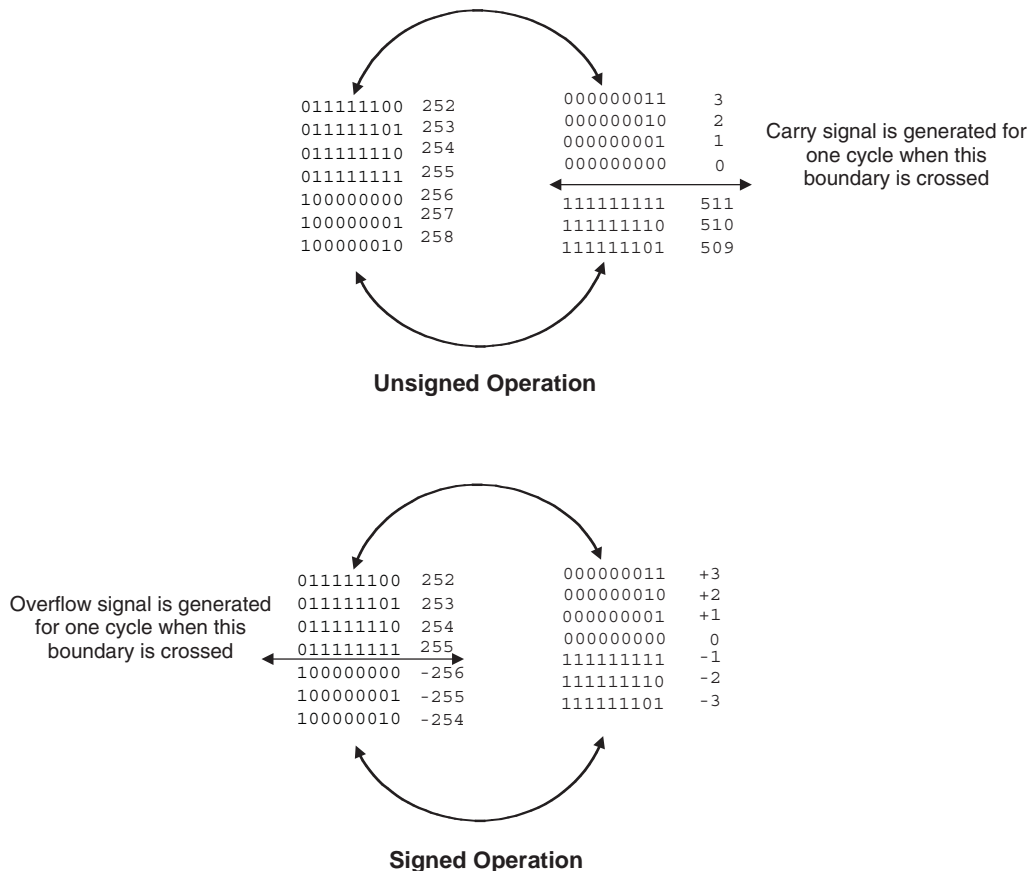
Table 2-7. Sign Extension Example

Number	Unsigned	Unsigned 9-bit	Unsigned 18-bit	Signed	Two's Complement Signed 9 Bits	Two's Complement Signed 18 Bits
+5	0101	000000101	0000000000000000101	0101	000000101	0000000000000000101
-6	N/A	N/A	N/A	1010	11111010	111111111111111010

OVERFLOW Flag from MAC

The sysDSP block provides an overflow output to indicate that the accumulator has overflowed. "Roll-over" occurs and an overflow signal is indicated when any of the following is true: two unsigned numbers are added and the result is a smaller number than the accumulator, two positive numbers are added with a negative sum or two negative numbers are added with a positive sum. Note that when overflow occurs the overflow flag is present for only one cycle. By counting these overflow pulses in FPGA logic, larger accumulators can be constructed. The conditions for the overflow signal for signed and unsigned operands are listed in Figure 2-24.

Figure 2-24. Accumulator Overflow/Underflow



IPexpress™

The user can access the sysDSP block via the Lattice IPexpress tool, which provides the option to configure each DSP module (or group of modules), or by direct HDL instantiation. In addition, Lattice has partnered with The MathWorks® to support instantiation in the Simulink® tool, a graphical simulation environment. Simulink works with Diamond to dramatically shorten the DSP design cycle in Lattice FPGAs.

Optimized DSP Functions

Lattice provides a library of optimized DSP IP functions. Some of the IP cores planned for the LatticeXP2 DSP include the Bit Correlator, FFT functions, FIR Filter, Reed-Solomon Encoder/Decoder, Turbo Encoder/Decoder and Convolutional Encoder/Decoder. Please contact Lattice to obtain the latest list of available DSP IP cores.

Resources Available in the LatticeXP2 Family

Table 2-8 shows the maximum number of multipliers for each member of the LatticeXP2 family. Table 2-9 shows the maximum available EBR RAM Blocks and Serial TAG Memory bits in each LatticeXP2 device. EBR blocks, together with Distributed RAM can be used to store variables locally for fast DSP operations.

Table 2-8. Maximum Number of DSP Blocks in the LatticeXP2 Family

Device	DSP Block	9x9 Multiplier	18x18 Multiplier	36x36 Multiplier
XP2-5	3	24	12	3
XP2-8	4	32	16	4
XP2-17	5	40	20	5
XP2-30	7	56	28	7
XP2-40	8	64	32	8

Table 2-9. Embedded SRAM/TAG Memory in the LatticeXP2 Family

Device	EBR SRAM Block	Total EBR SRAM (Kbits)	TAG Memory (Bits)
XP2-5	9	166	632
XP2-8	12	221	768
XP2-17	15	276	2184
XP2-30	21	387	2640
XP2-40	48	885	3384

LatticeXP2 DSP Performance

Table 2-10 lists the maximum performance in Millions of MAC (MMAC) operations per second for each member of the LatticeXP2 family.

Table 2-10. DSP Performance

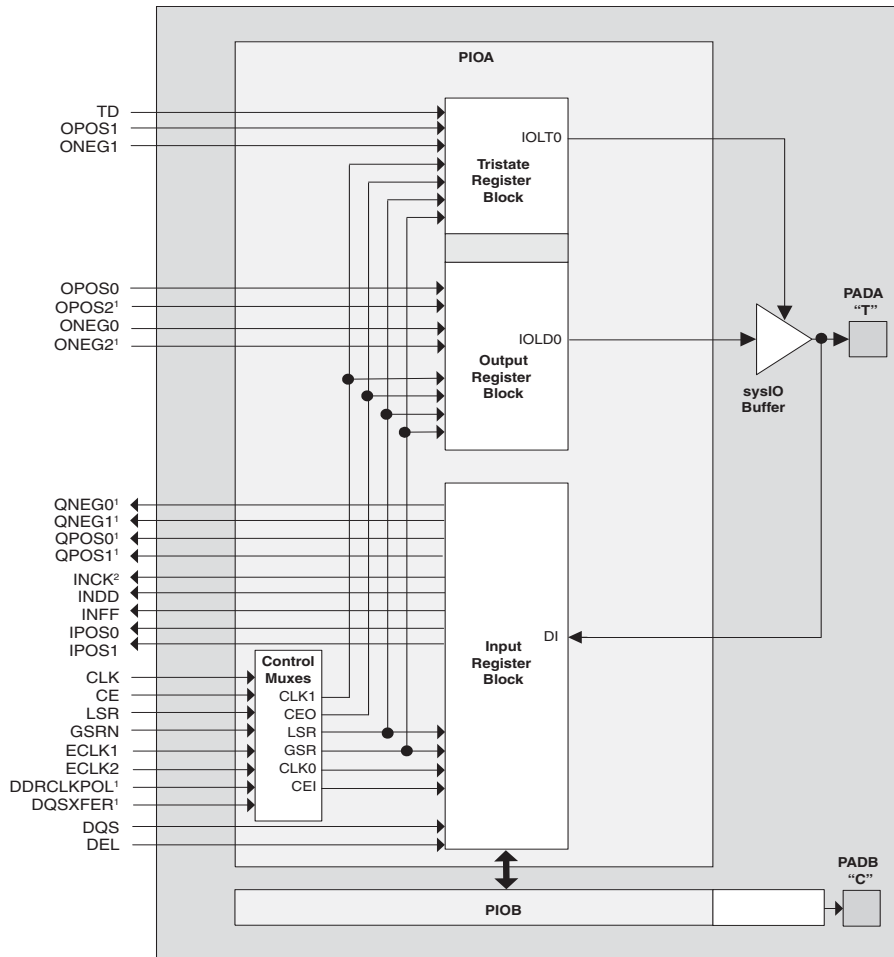
Device	DSP Block	DSP Performance MMAC
XP2-5	3	3,900
XP2-8	4	5,200
XP2-17	5	6,500
XP2-30	7	9,100
XP2-40	8	10,400

For further information on the sysDSP block, please see TN1140, [LatticeXP2 sysDSP Usage Guide](#).

Programmable I/O Cells (PIC)

Each PIC contains two PIOs connected to their respective sysIO buffers as shown in Figure 2-25. The PIO Block supplies the output data (DO) and the tri-state control signal (TO) to the sysIO buffer and receives input from the buffer. Table 2-11 provides the PIO signal list.

Figure 2-25. PIC Diagram



1. Signals are available on left/right/bottom edges only.
2. Selected blocks.

Two adjacent PIOs can be joined to provide a differential I/O pair (labeled as "T" and "C") as shown in Figure 2-25. The PAD Labels "T" and "C" distinguish the two PIOs. Approximately 50% of the PIO pairs on the left and right edges of the device can be configured as true LVDS outputs. All I/O pairs can operate as inputs.

Table 2-11. PIO Signal List

Name	Type	Description
CE	Control from the core	Clock enables for input and output block flip-flops
CLK	Control from the core	System clocks for input and output blocks
ECLK1, ECLK2	Control from the core	Fast edge clocks
LSR	Control from the core	Local Set/Reset
GSRN	Control from routing	Global Set/Reset (active low)
INCK ²	Input to the core	Input to Primary Clock Network or PLL reference inputs
DQS	Input to PIO	DQS signal from logic (routing) to PIO
INDD	Input to the core	Unregistered data input to core
INFF	Input to the core	Registered input on positive edge of the clock (CLK0)
IPOS0, IPOS1	Input to the core	Double data rate registered inputs to the core
QPOS0 ¹ , QPOS1 ¹	Input to the core	Gearbox pipelined inputs to the core
QNEG0 ¹ , QNEG1 ¹	Input to the core	Gearbox pipelined inputs to the core
OPOS0, ONEG0, OPOS2, ONEG2	Output data from the core	Output signals from the core for SDR and DDR operation
OPOS1 ONEG1	Tristate control from the core	Signals to Tristate Register block for DDR operation
DEL[3:0]	Control from the core	Dynamic input delay control bits
TD	Tristate control from the core	Tristate signal from the core used in SDR operation
DDRCLKPOL	Control from clock polarity bus	Controls the polarity of the clock (CLK0) that feed the DDR input block
DQSXFER	Control from core	Controls signal to the Output block

1. Signals available on left/right/bottom only.

2. Selected I/O.

PIO

The PIO contains four blocks: an input register block, output register block, tristate register block and a control logic block. These blocks contain registers for operating in a variety of modes along with necessary clock and selection logic.

Input Register Block

The input register blocks for PIOs contain delay elements and registers that can be used to condition high-speed interface signals, such as DDR memory interfaces and source synchronous interfaces, before they are passed to the device core. Figure 2-26 shows the diagram of the input register block.

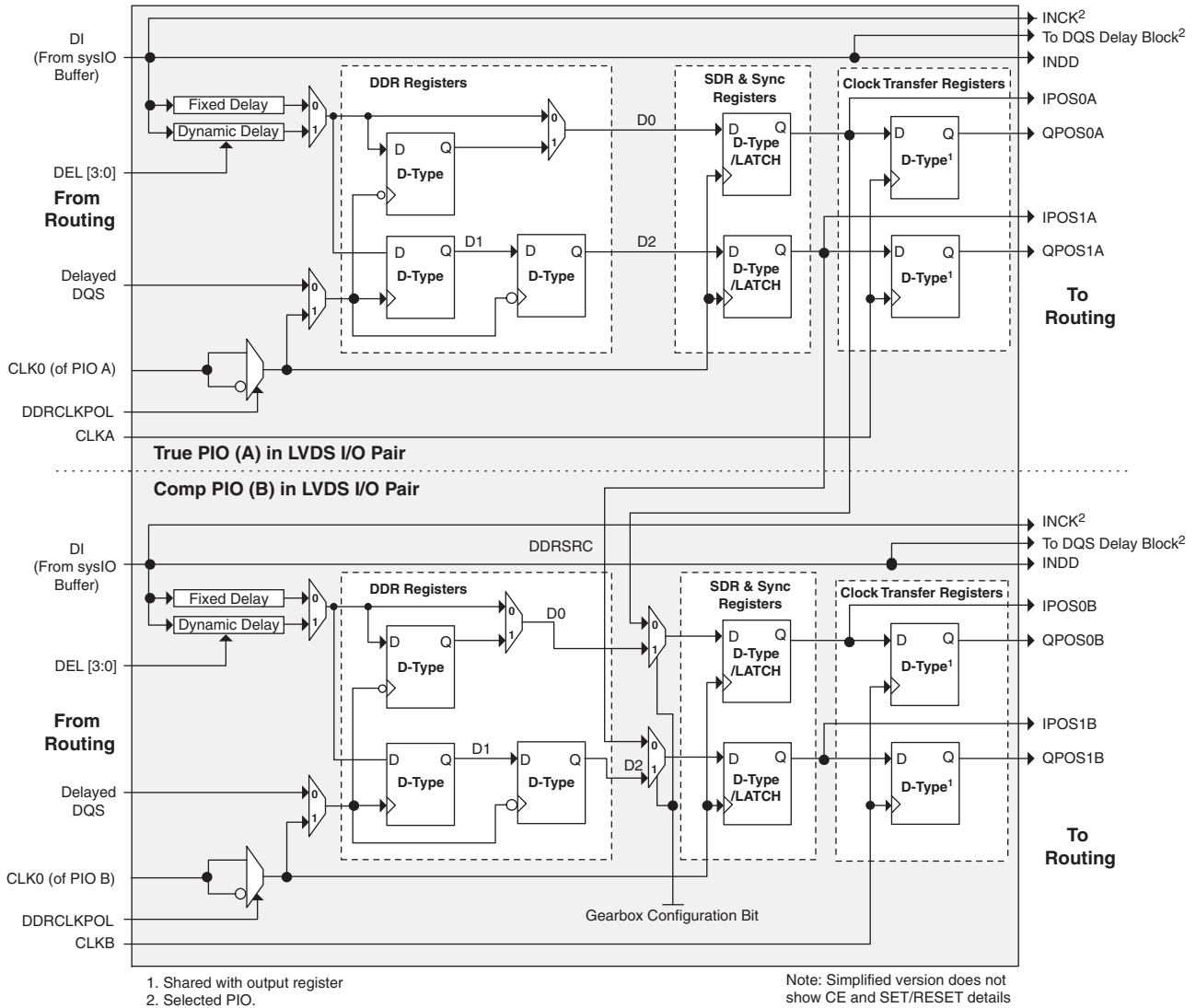
Input signals are fed from the sysIO buffer to the input register block (as signal DI). If desired, the input signal can bypass the register and delay elements and be used directly as a combinatorial signal (INDD), a clock (INCK) and, in selected blocks, the input to the DQS delay block. If an input delay is desired, designers can select either a fixed delay or a dynamic delay DEL[3:0]. The delay, if selected, reduces input register hold time requirements when using a global clock.

The input block allows three modes of operation. In the Single Data Rate (SDR) mode, the data is registered, by one of the registers in the SDR Sync register block, with the system clock. In DDR mode two registers are used to sample the data on the positive and negative edges of the DQS signal which creates two data streams, D0 and D2. D0 and D2 are synchronized with the system clock before entering the core. Further information on this topic can be found in the DDR Memory Support section of this data sheet.

By combining input blocks of the complementary PIOs and sharing registers from output blocks, a gearbox function can be implemented, that takes a double data rate signal applied to PIOA and converts it as four data streams, IPOS0A, IPOS1A, IPOS0B and IPOS1B. Figure 2-26 shows the diagram using this gearbox function. For more information on this topic, please see TN1138, [LatticeXP2 High Speed I/O Interface](#).

The signal DDRCLKPOL controls the polarity of the clock used in the synchronization registers. It ensures adequate timing when data is transferred from the DQS to system clock domain. For further discussion on this topic, see the DDR Memory section of this data sheet.

Figure 2-26. Input Register Block



Output Register Block

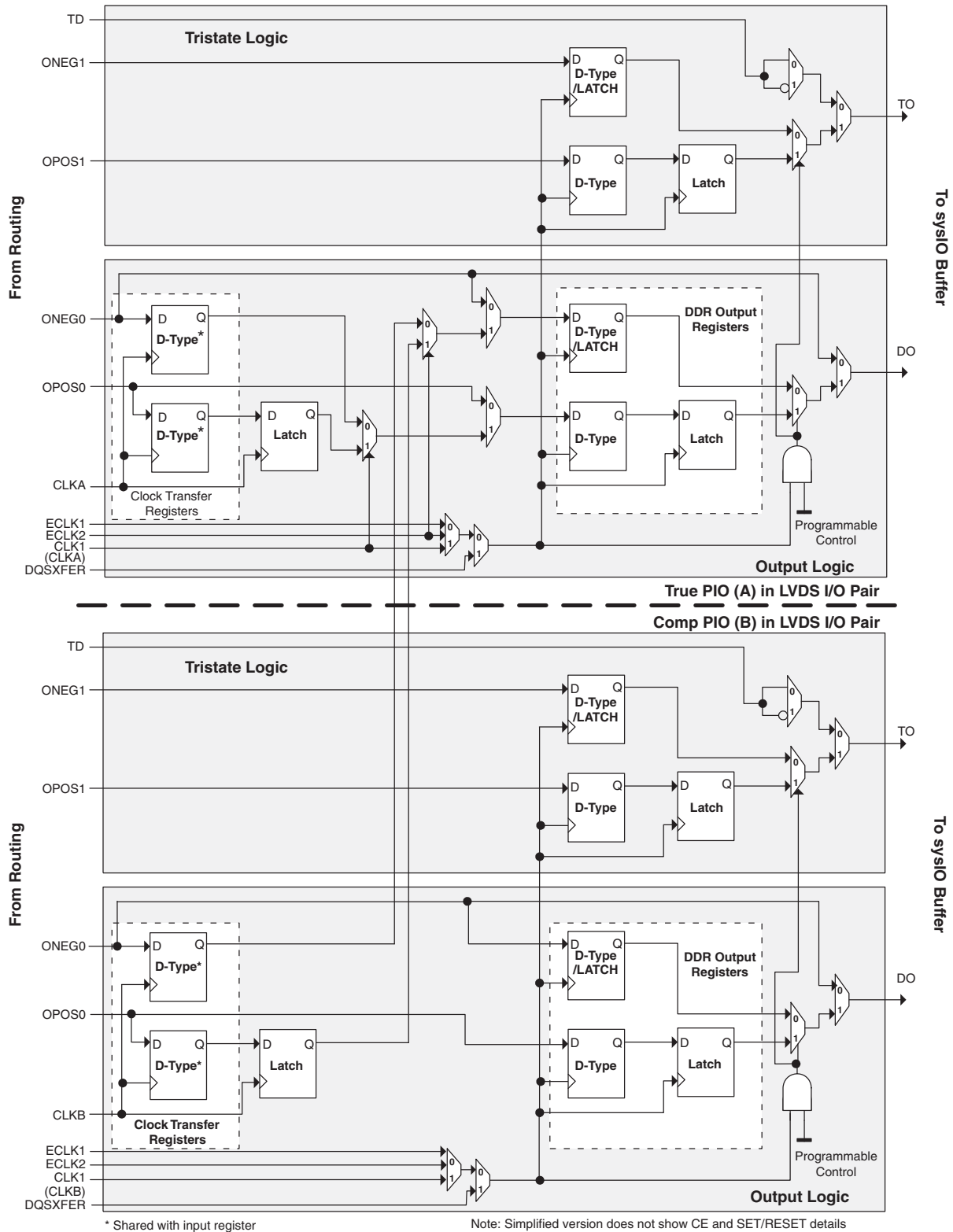
The output register block provides the ability to register signals from the core of the device before they are passed to the sysIO buffers. The blocks on the PIOs on the left, right and bottom contain registers for SDR operation that are combined with an additional latch for DDR operation. Figure 2-27 shows the diagram of the Output Register Block for PIOs.

In SDR mode, ONEG0 feeds one of the flip-flops that then feeds the output. The flip-flop can be configured as a D-type or latch. In DDR mode, ONEG0 and OPOS0 are fed into registers on the positive edge of the clock. At the next clock cycle the registered OPOS0 is latched. A multiplexer running off the same clock cycle selects the correct register to feed the output (D0).

By combining output blocks of the complementary PIOs and sharing some registers from input blocks, a gearbox function can be implemented, to take four data streams ONEG0A, ONEG1A, ONEG1B and ONEG1B. Figure 2-27

shows the diagram using this gearbox function. For more information on this topic, see TN1138, [LatticeXP2 High Speed I/O Interface](#).

Figure 2-27. Output and Tristate Block



Tristate Register Block

The tristate register block provides the ability to register tri-state control signals from the core of the device before they are passed to the sysIO buffers. The block contains a register for SDR operation and an additional latch for DDR operation. Figure 2-27 shows the Tristate Register Block with the Output Block

In SDR mode, ONEG1 feeds one of the flip-flops that then feeds the output. The flip-flop can be configured as D-type or latch. In DDR mode, ONEG1 and OPOS1 are fed into registers on the positive edge of the clock. Then in the next clock the registered OPOS1 is latched. A multiplexer running off the same clock cycle selects the correct register for feeding to the output (D0).

Control Logic Block

The control logic block allows the selection and modification of control signals for use in the PIO block. A clock signal is selected from general purpose routing, ECLK1, ECLK2 or a DQS signal (from the programmable DQS pin) and is provided to the input register block. The clock can optionally be inverted.

DDR Memory Support

PICs have additional circuitry to allow implementation of high speed source synchronous and DDR memory interfaces.

PICs have registered elements that support DDR memory interfaces. Interfaces on the left and right edges are designed for DDR memories that support 16 bits of data, whereas interfaces on the top and bottom are designed for memories that support 18 bits of data. One of every 16 PIOs on the left and right and one of every 18 PIOs on the top and bottom contain delay elements to facilitate the generation of DQS signals. The DQS signals feed the DQS buses which span the set of 16 or 18 PIOs. Figure 2-28 and Figure 2-29 show the DQS pin assignments in each set of PIOs.

The exact DQS pins are shown in a dual function in the Logic Signal Connections table in this data sheet. Additional detail is provided in the Signal Descriptions table. The DQS signal from the bus is used to strobe the DDR data from the memory into input register blocks. For additional information on using DDR memory support please see TN1138, [LatticeXP2 High Speed I/O Interface](#).

Figure 2-28. DQS Input Routing (Left and Right)

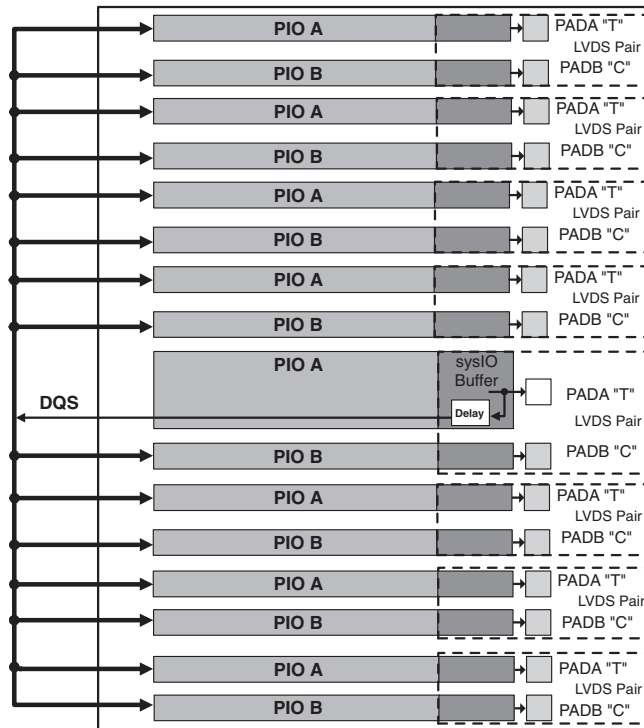
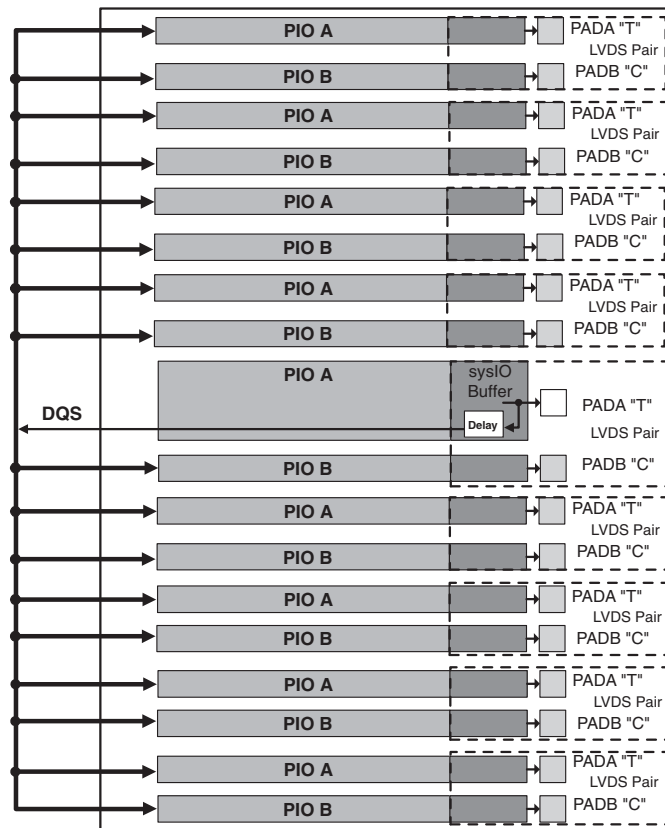


Figure 2-29. DQS Input Routing (Top and Bottom)



DLL Calibrated DQS Delay Block

Source synchronous interfaces generally require the input clock to be adjusted in order to correctly capture data at the input register. For most interfaces a PLL is used for this adjustment. However, in DDR memories the clock, referred to as DQS, is not free-running, and this approach cannot be used. The DQS Delay block provides the required clock alignment for DDR memory interfaces.

The DQS signal (selected PIOs only, as shown in Figure 2-30) feeds from the PAD through a DQS delay element to a dedicated DQS routing resource. The DQS signal also feeds polarity control logic which controls the polarity of the clock to the sync registers in the input register blocks. Figure 2-30 and Figure 2-31 show how the DQS transition signals are routed to the PIOs.

The temperature, voltage and process variations of the DQS delay block are compensated by a set of 6-bit bus calibration signals from two dedicated DLLs (DDR_DLL) on opposite sides of the device. Each DLL compensates DQS delays in its half of the device as shown in Figure 2-30. The DLL loop is compensated for temperature, voltage and process variations by the system clock and feedback loop.

Figure 2-30. Edge Clock, DLL Calibration and DQS Local Bus Distribution

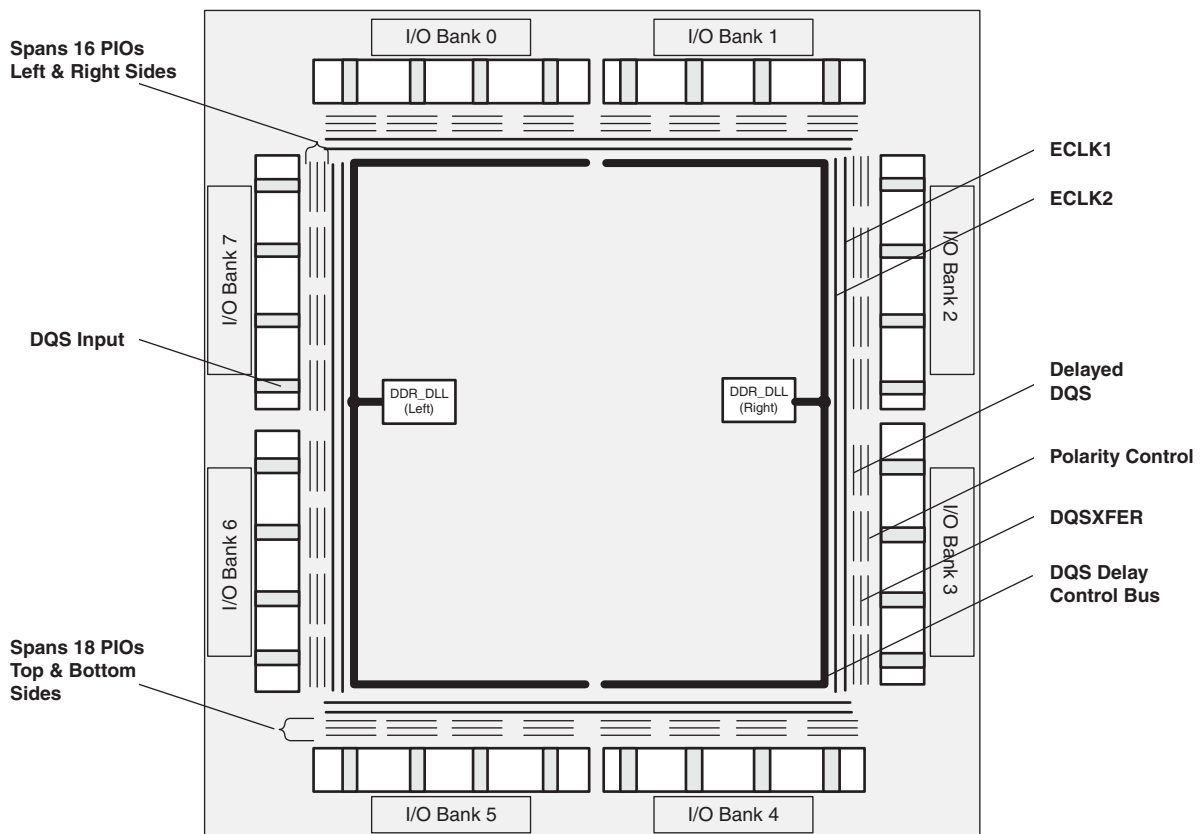
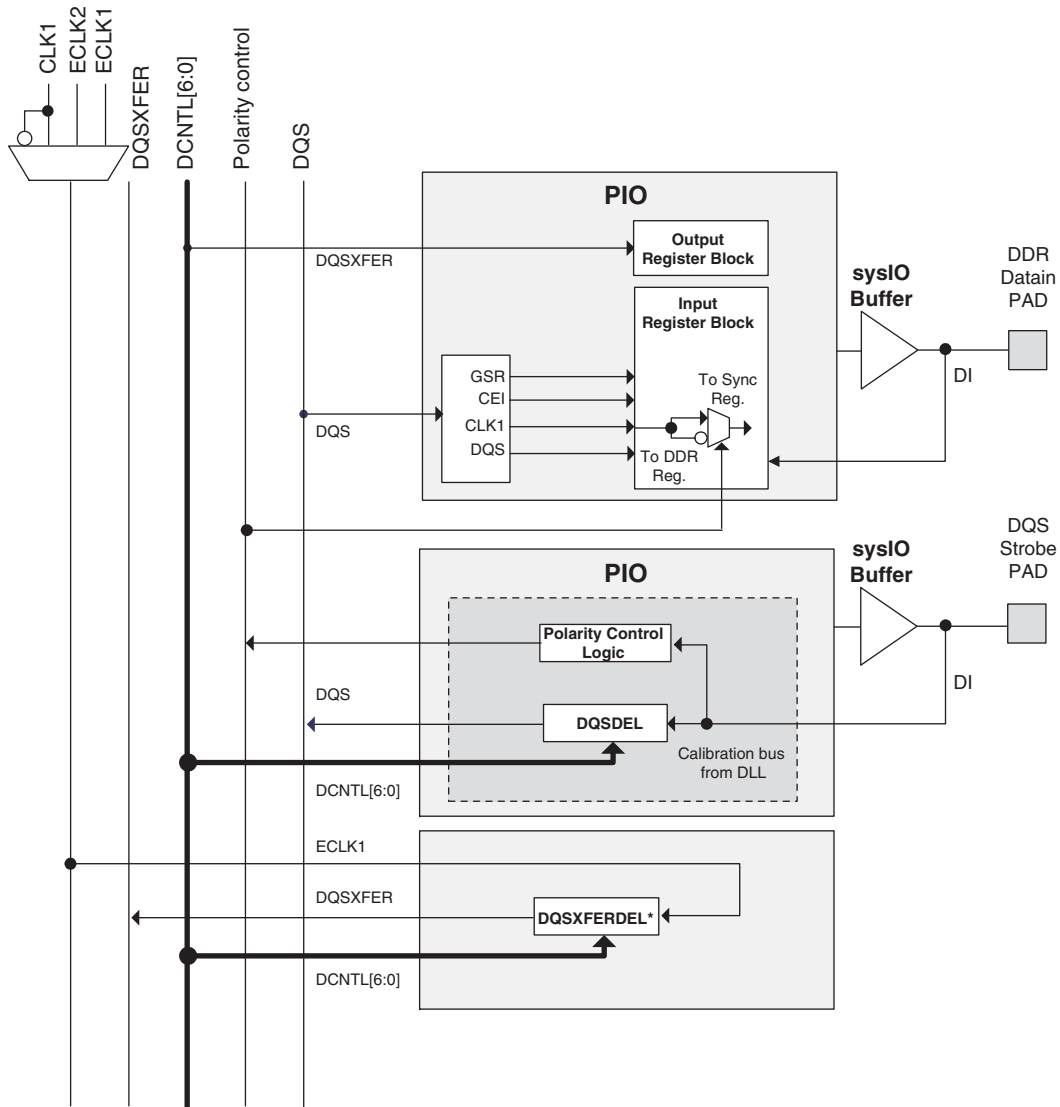


Figure 2-31. DQS Local Bus



*DQSXFERDEL shifts ECLK1 by 90% and is not associated with a particular PIO.

Polarity Control Logic

In a typical DDR memory interface design, the phase relationship between the incoming delayed DQS strobe and the internal system clock (during the READ cycle) is unknown. The LatticeXP2 family contains dedicated circuits to transfer data between these domains. To prevent set-up and hold violations, at the domain transfer between DQS (delayed) and the system clock, a clock polarity selector is used. This changes the edge on which the data is registered in the synchronizing registers in the input register block and requires evaluation at the start of each READ cycle for the correct clock polarity.

Prior to the READ operation in DDR memories, DQS is in tristate (pulled by termination). The DDR memory device drives DQS low at the start of the preamble state. A dedicated circuit detects this transition. This signal is used to control the polarity of the clock to the synchronizing registers.

DQSXFER

LatticeXP2 devices provide a DQSXFER signal to the output buffer to assist it in data transfer to DDR memories that require DQS strobe be shifted 90°. This shifted DQS strobe is generated by the DQSDEL block. The DQSXFER signal runs the span of the data bus.

sysIO Buffer

Each I/O is associated with a flexible buffer referred to as a sysIO buffer. These buffers are arranged around the periphery of the device in groups referred to as banks. The sysIO buffers allow users to implement the wide variety of standards that are found in today's systems including LVCMOS, SSTL, HSTL, LVDS and LVPECL.

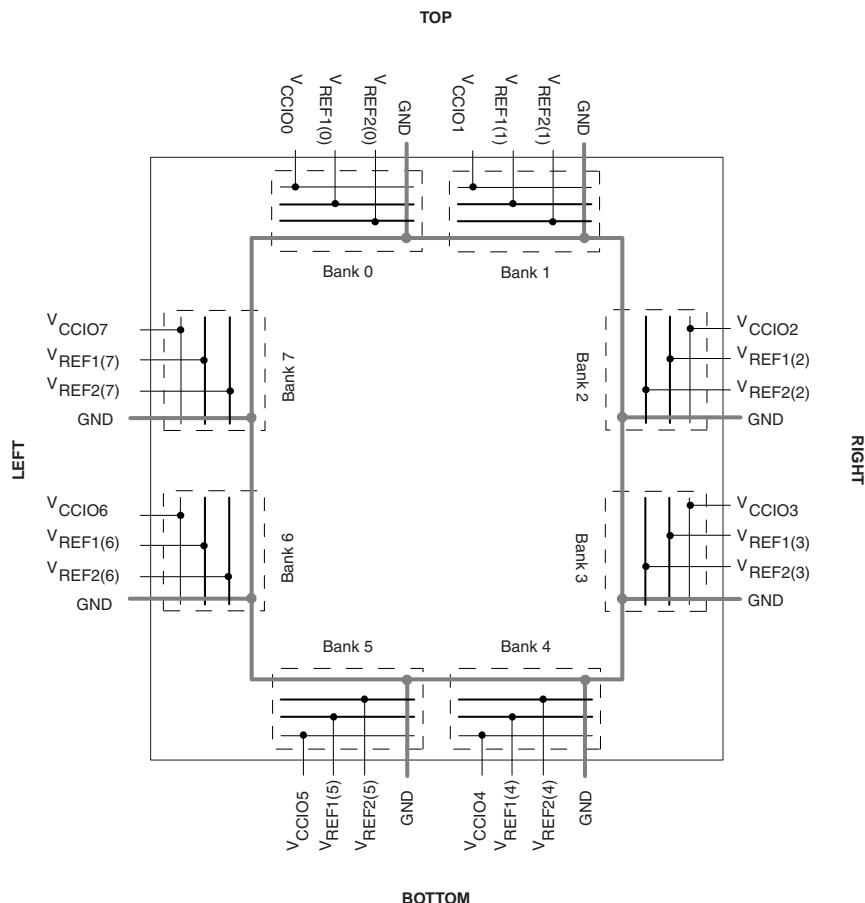
sysIO Buffer Banks

LatticeXP2 devices have eight sysIO buffer banks for user I/Os arranged two per side. Each bank is capable of supporting multiple I/O standards. Each sysIO bank has its own I/O supply voltage (V_{CCIO}). In addition, each bank has voltage references, V_{REF1} and V_{REF2} , that allow it to be completely independent from the others. Figure 2-32 shows the eight banks and their associated supplies.

In LatticeXP2 devices, single-ended output buffers and ratioed input buffers (LVTTTL, LVCMOS33, LVCMOS25 and LVCMOS12) can also be set as fixed threshold inputs independent of V_{CCIO} .

Each bank can support up to two separate V_{REF} voltages, V_{REF1} and V_{REF2} , that set the threshold for the referenced input buffers. Some dedicated I/O pins in a bank can be configured to be a reference voltage supply pin. Each I/O is individually configurable based on the bank's supply and reference voltages.

Figure 2-32. LatticeXP2 Banks



LatticeXP2 devices contain two types of sysIO buffer pairs.

1. Top and Bottom (Banks 0, 1, 4 and 5) sysIO Buffer Pairs (Single-Ended Outputs Only)

The sysIO buffer pairs in the top banks of the device consist of two single-ended output drivers and two sets of single-ended input buffers (both ratioed and referenced). One of the referenced input buffers can also be configured as a differential input.

The two pads in the pair are described as “true” and “comp”, where the true pad is associated with the positive side of the differential input buffer and the comp (complementary) pad is associated with the negative side of the differential input buffer.

Only the I/Os on the top and bottom banks have programmable PCI clamps.

2. Left and Right (Banks 2, 3, 6 and 7) sysIO Buffer Pairs (50% Differential and 100% Single-Ended Outputs)

The sysIO buffer pairs in the left and right banks of the device consist of two single-ended output drivers, two sets of single-ended input buffers (both ratioed and referenced) and one differential output driver. One of the referenced input buffers can also be configured as a differential input.

The two pads in the pair are described as “true” and “comp”, where the true pad is associated with the positive side of the differential I/O, and the comp pad is associated with the negative side of the differential I/O.

LVDS differential output drivers are available on 50% of the buffer pairs on the left and right banks.

Typical sysIO I/O Behavior During Power-up

The internal power-on-reset (POR) signal is deactivated when V_{CC} and V_{CCAUX} have reached satisfactory levels. After the POR signal is deactivated, the FPGA core logic becomes active. It is the user's responsibility to ensure that all other V_{CCIO} banks are active with valid input logic levels to properly control the output logic states of all the I/O banks that are critical to the application. For more information on controlling the output logic state with valid input logic levels during power-up in LatticeXP2 devices, please see TN1136, [LatticeXP2 sysIO Usage Guide](#).

The V_{CC} and V_{CCAUX} supply the power to the FPGA core fabric, whereas the V_{CCIO} supplies power to the I/O buffers. In order to simplify system design while providing consistent and predictable I/O behavior, it is recommended that the I/O buffers be powered-up prior to the FPGA core fabric. V_{CCIO} supplies should be powered-up before or together with the V_{CC} and V_{CCAUX} supplies.

Supported sysIO Standards

The LatticeXP2 sysIO buffer supports both single-ended and differential standards. Single-ended standards can be further subdivided into LVCMOS, LVTTL and other standards. The buffers support the LVTTL, LVCMOS 1.2V, 1.5V, 1.8V, 2.5V and 3.3V standards. In the LVCMOS and LVTTL modes, the buffer has individual configuration options for drive strength, bus maintenance (weak pull-up, weak pull-down, or a bus-keeper latch) and open drain. Other single-ended standards supported include SSTL and HSTL. Differential standards supported include LVDS, MLVDS, BLVDS, LVPECL, RSDS, differential SSTL and differential HSTL. Tables 2-12 and 2-13 show the I/O standards (together with their supply and reference voltages) supported by LatticeXP2 devices. For further information on utilizing the sysIO buffer to support a variety of standards please see TN1136, [LatticeXP2 sysIO Usage Guide](#).

Table 2-12. Supported Input Standards

Input Standard	V _{REF} (Nom.)	V _{CCIO} ¹ (Nom.)
Single Ended Interfaces		
LVTTTL	—	—
LVCMOS33	—	—
LVCMOS25	—	—
LVCMOS18	—	1.8
LVCMOS15	—	1.5
LVCMOS12	—	—
PCI33	—	—
HSTL18 Class I, II	0.9	—
HSTL15 Class I	0.75	—
SSTL33 Class I, II	1.5	—
SSTL25 Class I, II	1.25	—
SSTL18 Class I, II	0.9	—
Differential Interfaces		
Differential SSTL18 Class I, II	—	—
Differential SSTL25 Class I, II	—	—
Differential SSTL33 Class I, II	—	—
Differential HSTL15 Class I	—	—
Differential HSTL18 Class I, II	—	—
LVDS, MLVDS, LVPECL, BLVDS, RSDS	—	—

1. When not specified, V_{CCIO} can be set anywhere in the valid operating range (page 3-1).

Table 2-13. Supported Output Standards

Output Standard	Drive	V _{CCIO} (Nom.)
Single-ended Interfaces		
LVTTTL	4mA, 8mA, 12mA, 16mA, 20mA	3.3
LVC MOS33	4mA, 8mA, 12mA 16mA, 20mA	3.3
LVC MOS25	4mA, 8mA, 12mA, 16mA, 20mA	2.5
LVC MOS18	4mA, 8mA, 12mA, 16mA	1.8
LVC MOS15	4mA, 8mA	1.5
LVC MOS12	2mA, 6mA	1.2
LVC MOS33, Open Drain	4mA, 8mA, 12mA 16mA, 20mA	—
LVC MOS25, Open Drain	4mA, 8mA, 12mA 16mA, 20mA	—
LVC MOS18, Open Drain	4mA, 8mA, 12mA 16mA	—
LVC MOS15, Open Drain	4mA, 8mA	—
LVC MOS12, Open Drain	2mA, 6mA	—
PCI33	N/A	3.3
HSTL18 Class I, II	N/A	1.8
HSTL15 Class I	N/A	1.5
SSTL33 Class I, II	N/A	3.3
SSTL25 Class I, II	N/A	2.5
SSTL18 Class I, II	N/A	1.8
Differential Interfaces		
Differential SSTL33, Class I, II	N/A	3.3
Differential SSTL25, Class I, II	N/A	2.5
Differential SSTL18, Class I, II	N/A	1.8
Differential HSTL18, Class I, II	N/A	1.8
Differential HSTL15, Class I	N/A	1.5
LVDS ^{1,2}	N/A	2.5
MLVDS ¹	N/A	2.5
BLVDS ¹	N/A	2.5
LVPECL ¹	N/A	3.3
RSDS ¹	N/A	2.5
LVC MOS33D ¹	4mA, 8mA, 12mA, 16mA, 20mA	3.3

1. Emulated with external resistors.

2. On the left and right edges, LVDS outputs are supported with a dedicated differential output driver on 50% of the I/Os. This solution does not require external resistors at the driver.

Hot Socketing

LatticeXP2 devices have been carefully designed to ensure predictable behavior during power-up and power-down. Power supplies can be sequenced in any order. During power-up and power-down sequences, the I/Os remain in tri-state until the power supply voltage is high enough to ensure reliable operation. In addition, leakage into I/O pins is controlled to within specified limits. This allows for easy integration with the rest of the system. These capabilities make the LatticeXP2 ideal for many multiple power supply and hot-swap applications.

IEEE 1149.1-Compliant Boundary Scan Testability

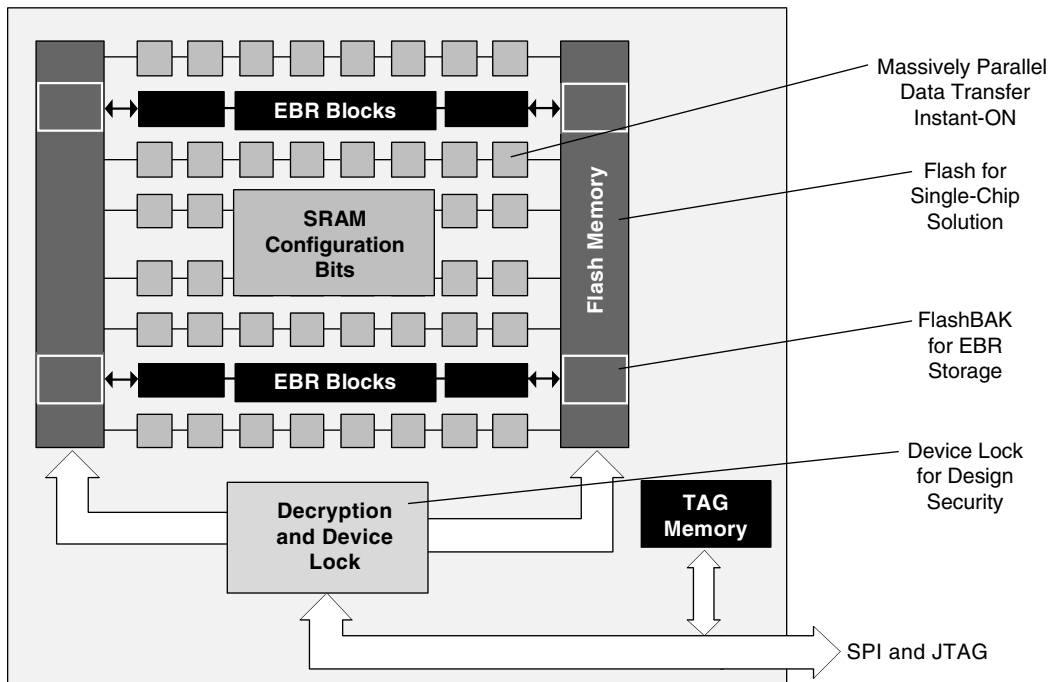
All LatticeXP2 devices have boundary scan cells that are accessed through an IEEE 1149.1 compliant Test Access Port (TAP). This allows functional testing of the circuit board, on which the device is mounted, through a serial scan path that can access all critical logic nodes. Internal registers are linked internally, allowing test data to be shifted in

and loaded directly onto test nodes, or test data to be captured and shifted out for verification. The test access port consists of dedicated I/Os: TDI, TDO, TCK and TMS. The test access port has its own supply voltage V_{CCJ} and can operate with LVCMOS3.3, 2.5, 1.8, 1.5 and 1.2 standards. For more information, please see TN1141, [LatticeXP2 sysCONFIG Usage Guide](#).

flexiFLASH Device Configuration

The LatticeXP2 devices combine Flash and SRAM on a single chip to provide users with flexibility in device programming and configuration. Figure 2-33 provides an overview of the arrangement of Flash and SRAM configuration cells within the device. The remainder of this section provides an overview of these capabilities. See TN1141, [LatticeXP2 sysCONFIG Usage Guide](#) for a more detailed description.

Figure 2-33. Overview of Flash and SRAM Configuration Cells Within LatticeXP2 Devices



At power-up, or on user command, data is transferred from the on-chip Flash memory to the SRAM configuration cells that control the operation of the device. This is done with massively parallel buses enabling the parts to operate within microseconds of the power supplies reaching valid levels; this capability is referred to as Instant-On.

The on-chip Flash enables a single-chip solution eliminating the need for external boot memory. This Flash can be programmed through either the JTAG or Slave SPI ports of the device. The SRAM configuration space can also be infinitely reconfigured through the JTAG and Master SPI ports. The JTAG port is IEEE 1149.1 and IEEE 1532 compliant.

As described in the EBR section of the data sheet, the FlashBAK capability of the parts enables the contents of the EBR blocks to be written back into the Flash storage area without erasing or reprogramming other aspects of the device configuration. Serial TAG memory is also available to allow the storage of small amounts of data such as calibration coefficients and error codes.

For applications where security is important, the lack of an external bitstream provides a solution that is inherently more secure than SRAM only FPGAs. This is further enhanced by device locking. The device can be in one of three modes:

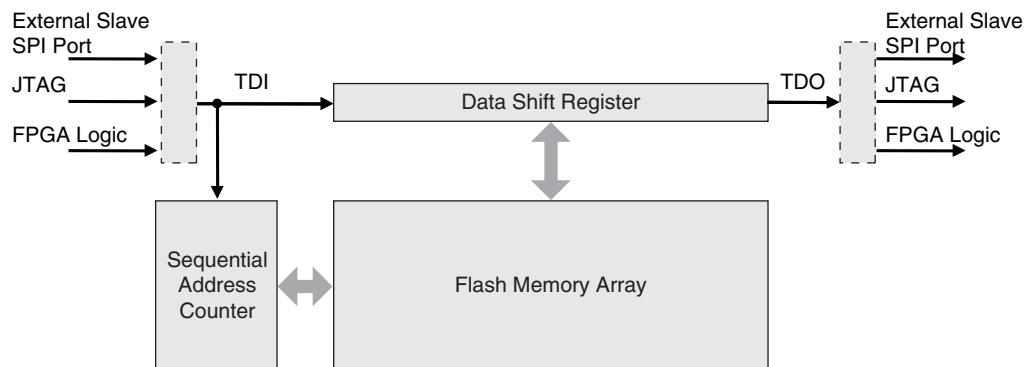
1. Unlocked
2. Key Locked – Presenting the key through the programming interface allows the device to be unlocked.
3. Permanently Locked – The device is permanently locked.

To further complement the security of the device a One Time Programmable (OTP) mode is available. Once the device is set in this mode it is not possible to erase or re-program the Flash portion of the device.

Serial TAG Memory

LatticeXP2 devices offer 0.6 to 3.3kbits of Flash memory in the form of Serial TAG memory. The TAG memory is an area of the on-chip Flash that can be used for non-volatile storage including electronic ID codes, version codes, date stamps, asset IDs and calibration settings. A block diagram of the TAG memory is shown in Figure 2-34. The TAG memory is accessed in the same way as external SPI Flash and it can be read or programmed either through JTAG, an external Slave SPI Port, or directly from FPGA logic. To read the TAG memory, a start address is specified and the entire TAG memory contents are read sequentially in a first-in-first-out manner. The TAG memory is independent of the Flash used for device configuration and given its use for general-purpose storage functions is always accessible regardless of the device security settings. For more information, see TN1137, [LatticeXP2 Memory Usage Guide](#) and TN1141, [LatticeXP2 sysCONFIG Usage Guide](#).

Figure 2-34. Serial TAG Memory Diagram



Live Update Technology

Many applications require field updates of the FPGA. LatticeXP2 devices provide three features that enable this configuration to be done in a secure and failsafe manner while minimizing impact on system operation.

1. Decryption Support

LatticeXP2 devices provide on-chip, non-volatile key storage to support decryption of a 128-bit AES encrypted bitstream, securing designs and deterring design piracy.

2. TransFR (Transparent Field Reconfiguration)

TransFR I/O (TFR) is a unique Lattice technology that allows users to update their logic in the field without interrupting system operation using a single ispVM command. TransFR I/O allows I/O states to be frozen during device configuration. This allows the device to be field updated with a minimum of system disruption and downtime. For more information please see TN1087, [Minimizing System Interruption During Configuration Using TransFR Technology](#).

3. Dual Boot Image Support

Dual boot images are supported for applications requiring reliable remote updates of configuration data for the system FPGA. After the system is running with a basic configuration, a new boot image can be downloaded remotely and stored in a separate location in the configuration storage device. Any time after the update the LatticeXP2 can be re-booted from this new configuration file. If there is a problem such as corrupt data during download or incorrect version number with this new boot image, the LatticeXP2 device can revert back to the

original backup configuration and try again. This all can be done without power cycling the system. For more information please see TN1220, [LatticeXP2 Dual Boot Feature](#).

For more information on device configuration, please see TN1141, [LatticeXP2 sysCONFIG Usage Guide](#).

Soft Error Detect (SED) Support

LatticeXP2 devices have dedicated logic to perform Cyclic Redundancy Code (CRC) checks. During configuration, the configuration data bitstream can be checked with the CRC logic block. In addition, LatticeXP2 devices can be programmed for checking soft errors in SRAM. SED can be run on a programmed device when the user logic is not active. In the event a soft error occurs, the device can be programmed to either reload from a known good boot image (from internal Flash or external SPI memory) or generate an error signal.

For further information on SED support, please see TN1130, [LatticeXP2 Soft Error Detection \(SED\) Usage Guide](#).

On-Chip Oscillator

Every LatticeXP2 device has an internal CMOS oscillator that is used to derive a Master Clock (CCLK) for configuration. The oscillator and CCLK run continuously and are available to user logic after configuration is complete. The available CCLK frequencies are listed in Table 2-14. When a different CCLK frequency is selected during the design process, the following sequence takes place:

1. Device powers up with the default CCLK frequency.
2. During configuration, users select a different CCLK frequency.
3. CCLK frequency changes to the selected frequency after clock configuration bits are received.

This internal CMOS oscillator is available to the user by routing it as an input clock to the clock tree. For further information on the use of this oscillator for configuration or user mode, please see TN1141, [LatticeXP2 sysCONFIG Usage Guide](#).

Table 2-14. Selectable CCLKs and Oscillator Frequencies During Configuration and User Mode

CCLK/Oscillator (MHz)
2.5 ¹
3.1 ²
4.3
5.4
6.9
8.1
9.2
10
13
15
20
26
32
40
54
80 ³
163 ³

1. Software default oscillator frequency.
2. Software default CCLK frequency.
3. Frequency not valid for CCLK.

Density Shifting

The LatticeXP2 family is designed to ensure that different density devices in the same family and in the same package have the same pinout. Furthermore, the architecture ensures a high success rate when performing design migration from lower density devices to higher density devices. In many cases, it is also possible to shift a lower utilization design targeted for a high-density device to a lower density device. However, the exact details of the final resource utilization will impact the likely success in each case.

Absolute Maximum Ratings^{1, 2, 3}

- Supply Voltage V_{CC} -0.5 to 1.32V
- Supply Voltage V_{CCAUX} -0.5 to 3.75V
- Supply Voltage V_{CCJ} -0.5 to 3.75V
- Supply Voltage V_{CCPLL} ⁴ -0.5 to 3.75V
- Output Supply Voltage V_{CCIO} -0.5 to 3.75V
- Input or I/O Tristate Voltage Applied⁵ -0.5 to 3.75V
- Storage Temperature (Ambient) -65 to 150°C
- Junction Temperature Under Bias (T_j) +125°C

1. Stress above those listed under the “Absolute Maximum Ratings” may cause permanent damage to the device. Functional operation of the device at these or any other conditions above those indicated in the operational sections of this specification is not implied.
2. Compliance with the Lattice [Thermal Management](#) document is required.
3. All voltages referenced to GND.
4. V_{CCPLL} only available on csBGA, PQFP and TQFP packages.
5. Overshoot and undershoot of -2V to ($V_{IHMAX} + 2$) volts is permitted for a duration of <20 ns.

Recommended Operating Conditions

Symbol	Parameter	Min.	Max.	Units
V_{CC}	Core Supply Voltage	1.14	1.26	V
V_{CCAUX} ^{4, 5}	Auxiliary Supply Voltage	3.135	3.465	V
V_{CCPLL} ¹	PLL Supply Voltage	3.135	3.465	V
V_{CCIO} ^{2, 3, 4}	I/O Driver Supply Voltage	1.14	3.465	V
V_{CCJ} ²	Supply Voltage for IEEE 1149.1 Test Access Port	1.14	3.465	V
t_{JCOM}	Junction Temperature, Commercial Operation	0	85	°C
t_{JIND}	Junction Temperature, Industrial Operation	-40	100	°C

1. V_{CCPLL} only available on csBGA, PQFP and TQFP packages.
2. If V_{CCIO} or V_{CCJ} is set to 1.2V, they must be connected to the same power supply as V_{CC} . If V_{CCIO} or V_{CCJ} is set to 3.3V, they must be connected to the same power supply as V_{CCAUX} .
3. See recommended voltages by I/O standard in subsequent table.
4. To ensure proper I/O behavior, V_{CCIO} must be turned off at the same time or earlier than V_{CCAUX} .
5. In fpBGA and ftBGA packages, the PLLs are connected to, and powered from, the auxiliary power supply.

On-Chip Flash Memory Specifications

Symbol	Parameter	Max.	Units
N_{PROG}	Flash Programming Cycles per $t_{RETENTION}$ ¹	10,000	Cycles
	Flash Functional Programming Cycles	100,000	

1. The minimum data retention, $t_{RETENTION}$, is 20 years.

Hot Socketing Specifications^{1, 2, 3, 4}

Symbol	Parameter	Condition	Min.	Typ.	Max.	Units
I_{DK}	Input or I/O Leakage Current	$0 \leq V_{IN} \leq V_{IH} (MAX.)$	—	—	+/-1	mA

1. Insensitive to sequence of V_{CC} , V_{CCAUX} and V_{CCIO} . However, assumes monotonic rise/fall rates for V_{CC} , V_{CCAUX} and V_{CCIO} .
2. $0 \leq V_{CC} \leq V_{CC} (MAX)$, $0 \leq V_{CCIO} \leq V_{CCIO} (MAX)$ or $0 \leq V_{CCAUX} \leq V_{CCAUX} (MAX)$.
3. I_{DK} is additive to I_{PU} , I_{PW} or I_{BH} .
4. LVCMOS and LVTTTL only.

ESD Performance

Please refer to the [LatticeXP2 Product Family Qualification Summary](#) for complete qualification data, including ESD performance.

DC Electrical Characteristics

Over Recommended Operating Conditions

Symbol	Parameter	Condition	Min.	Typ.	Max.	Units
I_{IL}, I_{IH}^1	Input or I/O Low Leakage	$0 \leq V_{IN} \leq V_{CCIO}$	—	—	10	μA
		$V_{CCIO} \leq V_{IN} \leq V_{IH} (MAX)$	—	—	150	μA
I_{PU}	I/O Active Pull-up Current	$0 \leq V_{IN} \leq 0.7 V_{CCIO}$	-30	—	-150	μA
I_{PD}	I/O Active Pull-down Current	$V_{IL} (MAX) \leq V_{IN} \leq V_{CCIO}$	30	—	210	μA
I_{BHLS}	Bus Hold Low Sustaining Current	$V_{IN} = V_{IL} (MAX)$	30	—	—	μA
I_{BHHS}	Bus Hold High Sustaining Current	$V_{IN} = 0.7 V_{CCIO}$	-30	—	—	μA
I_{BHLO}	Bus Hold Low Overdrive Current	$0 \leq V_{IN} \leq V_{CCIO}$	—	—	210	μA
I_{BHHO}	Bus Hold High Overdrive Current	$0 \leq V_{IN} \leq V_{CCIO}$	—	—	-150	μA
V_{BHT}	Bus Hold Trip Points		$V_{IL} (MAX)$	—	$V_{IH} (MIN)$	V
C1	I/O Capacitance ²	$V_{CCIO} = 3.3V, 2.5V, 1.8V, 1.5V, 1.2V,$ $V_{CC} = 1.2V, V_{IO} = 0 \text{ to } V_{IH} (MAX)$	—	8	—	pf
C2	Dedicated Input Capacitance	$V_{CCIO} = 3.3V, 2.5V, 1.8V, 1.5V, 1.2V,$ $V_{CC} = 1.2V, V_{IO} = 0 \text{ to } V_{IH} (MAX)$	—	6	—	pf

1. Input or I/O leakage current is measured with the pin configured as an input or as an I/O with the output driver tri-stated. It is not measured with the output driver active. Bus maintenance circuits are disabled.
2. T_A 25°C, $f = 1.0$ MHz.

Supply Current (Standby)^{1, 2, 3, 4}**Over Recommended Operating Conditions**

Symbol	Parameter	Device	Typical ⁵	Units
I_{CC}	Core Power Supply Current	XP2-5	14	mA
		XP2-8	18	mA
		XP2-17	24	mA
		XP2-30	35	mA
		XP2-40	45	mA
I_{CCAUX}	Auxiliary Power Supply Current ⁶	XP2-5	15	mA
		XP2-8	15	mA
		XP2-17	15	mA
		XP2-30	16	mA
		XP2-40	16	mA
I_{CCPLL}	PLL Power Supply Current (per PLL)		0.1	mA
I_{CCIO}	Bank Power Supply Current (per bank)		2	mA
I_{CCJ}	V_{CCJ} Power Supply Current		0.25	mA

1. For further information on supply current, please see TN1139, [Power Estimation and Management for LatticeXP2 Devices](#).
2. Assumes all outputs are tristated, all inputs are configured as LVCMOS and held at the V_{CCIO} or GND.
3. Frequency 0 MHz.
4. Pattern represents a "blank" configuration data file.
5. $T_J = 25^\circ\text{C}$, power supplies at nominal voltage.
6. In fpBGA and ftBGA packages the PLLs are connected to and powered from the auxiliary power supply. For these packages, the actual auxiliary supply current is the sum of I_{CCAUX} and I_{CCPLL} . For csBGA, PQFP and TQFP packages the PLLs are powered independent of the auxiliary power supply.

Initialization Supply Current^{1, 2, 3, 4, 5}

Over Recommended Operating Conditions

Symbol	Parameter	Device	Typical (25°C, Max. Supply) ⁶	Units
I_{CC}	Core Power Supply Current	XP2-5	20	mA
		XP2-8	21	mA
		XP2-17	44	mA
		XP2-30	58	mA
		XP2-40	62	mA
I_{CCAUX}	Auxiliary Power Supply Current ⁷	XP2-5	67	mA
		XP2-8	74	mA
		XP2-17	112	mA
		XP2-30	124	mA
		XP2-40	130	mA
I_{CCPLL}	PLL Power Supply Current (per PLL)		1.8	mA
I_{CCIO}	Bank Power Supply Current (per Bank)		6.4	mA
I_{CCJ}	VCCJ Power Supply Current		1.2	mA

1. For further information on supply current, please see TN1139, [Power Estimation and Management for LatticeXP2 Devices](#).
2. Assumes all outputs are tristated, all inputs are configured as LVCMOS and held at the V_{CCIO} or GND.
3. Frequency 0 MHz.
4. Does not include additional current from bypass or decoupling capacitor across the supply.
5. A specific configuration pattern is used that scales with the size of the device; consists of 75% PFU utilization, 50% EBR, and 25% I/O configuration.
6. $T_J = 25^\circ\text{C}$, power supplies at nominal voltage.
7. In fpBGA and ftBGA packages the PLLs are connected to and powered from the auxiliary power supply. For these packages, the actual auxiliary supply current is the sum of I_{CCAUX} and I_{CCPLL} . For csBGA, PQFP and TQFP packages the PLLs are powered independent of the auxiliary power supply.

Programming and Erase Flash Supply Current^{1, 2, 3, 4, 5}

Over Recommended Operating Conditions

Symbol	Parameter	Device	Typical (25°C, Max. Supply) ⁶	Units
I_{CC}	Core Power Supply Current	XP2-5	17	mA
		XP2-8	21	mA
		XP2-17	28	mA
		XP2-30	36	mA
		XP2-40	50	mA
I_{CCAUX}	Auxiliary Power Supply Current ⁷	XP2-5	64	mA
		XP2-8	66	mA
		XP2-17	83	mA
		XP2-30	87	mA
		XP2-40	88	mA
I_{CCPLL}	PLL Power Supply Current (per PLL)		0.1	mA
I_{CCIO}	Bank Power Supply Current (per Bank)		5	mA
I_{CCJ}	V_{CCJ} Power Supply Current ⁸		14	mA

1. For further information on supply current, please see TN1139, [Power Estimation and Management for LatticeXP2 Devices](#).
2. Assumes all outputs are tristated, all inputs are configured as LVCMOS and held at the V_{CCIO} or GND.
3. Frequency 0 MHz (excludes dynamic power from FPGA operation).
4. A specific configuration pattern is used that scales with the size of the device; consists of 75% PFU utilization, 50% EBR, and 25% I/O configuration.
5. Bypass or decoupling capacitor across the supply.
6. $T_J = 25^\circ\text{C}$, power supplies at nominal voltage.
7. In fpBGA and ftBGA packages the PLLs are connected to and powered from the auxiliary power supply. For these packages, the actual auxiliary supply current is the sum of I_{CCAUX} and I_{CCPLL} . For csBGA, PQFP and TQFP packages the PLLs are powered independent of the auxiliary power supply.
8. When programming via JTAG.

sysIO Recommended Operating Conditions**Over Recommended Operating Conditions**

Standard	V _{CCIO}			V _{REF} (V)		
	Min.	Typ.	Max.	Min.	Typ.	Max.
LVC MOS33 ²	3.135	3.3	3.465	—	—	—
LVC MOS25 ²	2.375	2.5	2.625	—	—	—
LVC MOS18	1.71	1.8	1.89	—	—	—
LVC MOS15	1.425	1.5	1.575	—	—	—
LVC MOS12 ²	1.14	1.2	1.26	—	—	—
LV TTL33 ²	3.135	3.3	3.465	—	—	—
PCI33	3.135	3.3	3.465	—	—	—
SSTL18_I ² , SSTL18_II ²	1.71	1.8	1.89	0.833	0.9	0.969
SSTL25_I ² , SSTL25_II ²	2.375	2.5	2.625	1.15	1.25	1.35
SSTL33_I ² , SSTL33_II ²	3.135	3.3	3.465	1.3	1.5	1.7
HSTL15_I ²	1.425	1.5	1.575	0.68	0.75	0.9
HSTL18_I ² , HSTL18_II ²	1.71	1.8	1.89	0.816	0.9	1.08
LVDS25 ²	2.375	2.5	2.625	—	—	—
MLVDS25 ¹	2.375	2.5	2.625	—	—	—
LVPECL33 ^{1,2}	3.135	3.3	3.465	—	—	—
BLVDS25 ^{1,2}	2.375	2.5	2.625	—	—	—
RSDS ^{1,2}	2.375	2.5	2.625	—	—	—
SSTL18D_I ² , SSTL18D_II ²	1.71	1.8	1.89	—	—	—
SSTL25D_I ² , SSTL25D_II ²	2.375	2.5	2.625	—	—	—
SSTL33D_I ² , SSTL33D_II ²	3.135	3.3	3.465	—	—	—
HSTL15D_I ²	1.425	1.5	1.575	—	—	—
HSTL18D_I ² , HSTL18D_II ²	1.71	1.8	1.89	—	—	—

1. Inputs on chip. Outputs are implemented with the addition of external resistors.

2. Input on this standard does not depend on the value of V_{CCIO}.

sysIO Single-Ended DC Electrical Characteristics

Over Recommended Operating Conditions

Input/Output Standard	V_{IL}		V_{IH}		V_{OL}	V_{OH}	I_{OL}^1 (mA)	I_{OH}^1 (mA)
	Min. (V)	Max. (V)	Min. (V)	Max. (V)	Max. (V)	Min. (V)		
LVCMOS33	-0.3	0.8	2.0	3.6	0.4	$V_{CCIO} - 0.4$	20, 16, 12, 8, 4	-20, -16, -12, -8, -4
					0.2	$V_{CCIO} - 0.2$	0.1	-0.1
LVTTTL33	-0.3	0.8	2.0	3.6	0.4	$V_{CCIO} - 0.4$	20, 16, 12, 8, 4	-20, -16, -12, -8, -4
					0.2	$V_{CCIO} - 0.2$	0.1	-0.1
LVCMOS25	-0.3	0.7	1.7	3.6	0.4	$V_{CCIO} - 0.4$	20, 16, 12, 8, 4	-20, -16, -12, -8, -4
					0.2	$V_{CCIO} - 0.2$	0.1	-0.1
LVCMOS18	-0.3	$0.35 V_{CCIO}$	$0.65 V_{CCIO}$	3.6	0.4	$V_{CCIO} - 0.4$	16, 12, 8, 4	-16, -12, -8, -4
					0.2	$V_{CCIO} - 0.2$	0.1	-0.1
LVCMOS15	-0.3	$0.35 V_{CCIO}$	$0.65 V_{CCIO}$	3.6	0.4	$V_{CCIO} - 0.4$	8, 4	-8, -4
					0.2	$V_{CCIO} - 0.2$	0.1	-0.1
LVCMOS12	-0.3	$0.35 V_{CC}$	$0.65 V_{CC}$	3.6	0.4	$V_{CCIO} - 0.4$	6, 2	-6, -2
					0.2	$V_{CCIO} - 0.2$	0.1	-0.1
PCI33	-0.3	$0.3 V_{CCIO}$	$0.5 V_{CCIO}$	3.6	$0.1 V_{CCIO}$	$0.9 V_{CCIO}$	1.5	-0.5
SSTL33_I	-0.3	$V_{REF} - 0.2$	$V_{REF} + 0.2$	3.6	0.7	$V_{CCIO} - 1.1$	8	-8
SSTL33_II	-0.3	$V_{REF} - 0.2$	$V_{REF} + 0.2$	3.6	0.5	$V_{CCIO} - 0.9$	16	-16
SSTL25_I	-0.3	$V_{REF} - 0.18$	$V_{REF} + 0.18$	3.6	0.54	$V_{CCIO} - 0.62$	7.6	-7.6
							12	-12
SSTL25_II	-0.3	$V_{REF} - 0.18$	$V_{REF} + 0.18$	3.6	0.35	$V_{CCIO} - 0.43$	15.2	-15.2
							20	-20
SSTL18_I	-0.3	$V_{REF} - 0.125$	$V_{REF} + 0.125$	3.6	0.4	$V_{CCIO} - 0.4$	6.7	-6.7
SSTL18_II	-0.3	$V_{REF} - 0.125$	$V_{REF} + 0.125$	3.6	0.28	$V_{CCIO} - 0.28$	8	-8
							11	-11
HSTL15_I	-0.3	$V_{REF} - 0.1$	$V_{REF} + 0.1$	3.6	0.4	$V_{CCIO} - 0.4$	4	-4
							8	-8
HSTL18_I	-0.3	$V_{REF} - 0.1$	$V_{REF} + 0.1$	3.6	0.4	$V_{CCIO} - 0.4$	8	-8
							12	-12
HSTL18_II	-0.3	$V_{REF} - 0.1$	$V_{REF} + 0.1$	3.6	0.4	$V_{CCIO} - 0.4$	16	-16

1. The average DC current drawn by I/Os between GND connections, or between the last GND in an I/O bank and the end of an I/O bank, as shown in the logic signal connections table shall not exceed $n * 8\text{mA}$, where n is the number of I/Os between bank GND connections or between the last GND in a bank and the end of a bank.

sysIO Differential Electrical Characteristics

LVDS

Over Recommended Operating Conditions

Parameter	Description	Test Conditions	Min.	Typ.	Max.	Units
V_{INP} V_{INM}	Input Voltage		0	—	2.4	V
V_{CM}	Input Common Mode Voltage	Half the Sum of the Two Inputs	0.05	—	2.35	V
V_{THD}	Differential Input Threshold	Difference Between the Two Inputs	+/-100	—	—	mV
I_{IN}	Input Current	Power On or Power Off	—	—	+/-10	μ A
V_{OH}	Output High Voltage for V_{OP} or V_{OM}	$R_T = 100$ Ohm	—	1.38	1.60	V
V_{OL}	Output Low Voltage for V_{OP} or V_{OM}	$R_T = 100$ Ohm	0.9V	1.03	—	V
V_{OD}	Output Voltage Differential	$(V_{OP} - V_{OM})$, $R_T = 100$ Ohm	250	350	450	mV
ΔV_{OD}	Change in V_{OD} Between High and Low		—	—	50	mV
V_{OS}	Output Voltage Offset	$(V_{OP} + V_{OM})/2$, $R_T = 100$ Ohm	1.125	1.20	1.375	V
ΔV_{OS}	Change in V_{OS} Between H and L		—	—	50	mV
I_{SA}	Output Short Circuit Current	$V_{OD} = 0V$ Driver Outputs Shorted to Ground	—	—	24	mA
I_{SAB}	Output Short Circuit Current	$V_{OD} = 0V$ Driver Outputs Shorted to Each Other	—	—	12	mA

Differential HSTL and SSTL

Differential HSTL and SSTL outputs are implemented as a pair of complementary single-ended outputs. All allowable single-ended output classes (class I and class II) are supported in this mode.

For further information on LVPECL, RSDS, MLVDS, BLVDS and other differential interfaces please see details in additional technical notes listed at the end of this data sheet.

LVDS25E

The top and bottom sides of LatticeXP2 devices support LVDS outputs via emulated complementary LVCMOS outputs in conjunction with a parallel resistor across the driver outputs. The scheme shown in Figure 3-1 is one possible solution for point-to-point signals.

Figure 3-1. LVDS25E Output Termination Example

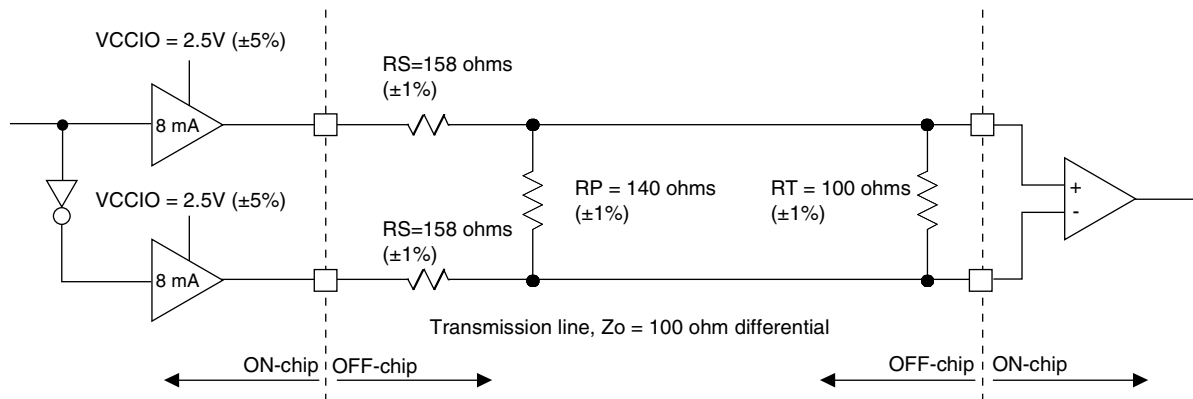


Table 3-1. LVDS25E DC Conditions

Parameter	Description	Typical	Units
V _{CCIO}	Output Driver Supply (+/-5%)	2.50	V
Z _{OUT}	Driver Impedance	20	Ω
R _S	Driver Series Resistor (+/-1%)	158	Ω
R _P	Driver Parallel Resistor (+/-1%)	140	Ω
R _T	Receiver Termination (+/-1%)	100	Ω
V _{OH}	Output High Voltage (after R _P)	1.43	V
V _{OL}	Output Low Voltage (after R _P)	1.07	V
V _{OD}	Output Differential Voltage (After R _P)	0.35	V
V _{CM}	Output Common Mode Voltage	1.25	V
Z _{BACK}	Back Impedance	100.5	Ω
I _{DC}	DC Output Current	6.03	mA

LVC MOS33D

All I/O banks support emulated differential I/O using the LVC MOS33D I/O type. This option, along with the external resistor network, provides the system designer the flexibility to place differential outputs on an I/O bank with 3.3V V_{CCIO}. The default drive current for LVC MOS33D output is 12mA with the option to change the device strength to 4mA, 8mA, 16mA or 20mA. Follow the LVC MOS33 specifications for the DC characteristics of the LVC MOS33D.

BLVDS

The LatticeXP2 devices support the BLVDS standard. This standard is emulated using complementary LVCMOS outputs in conjunction with a parallel external resistor across the driver outputs. BLVDS is intended for use when multi-drop and bi-directional multi-point differential signaling is required. The scheme shown in Figure 3-2 is one possible solution for bi-directional multi-point differential signals.

Figure 3-2. BLVDS Multi-point Output Example

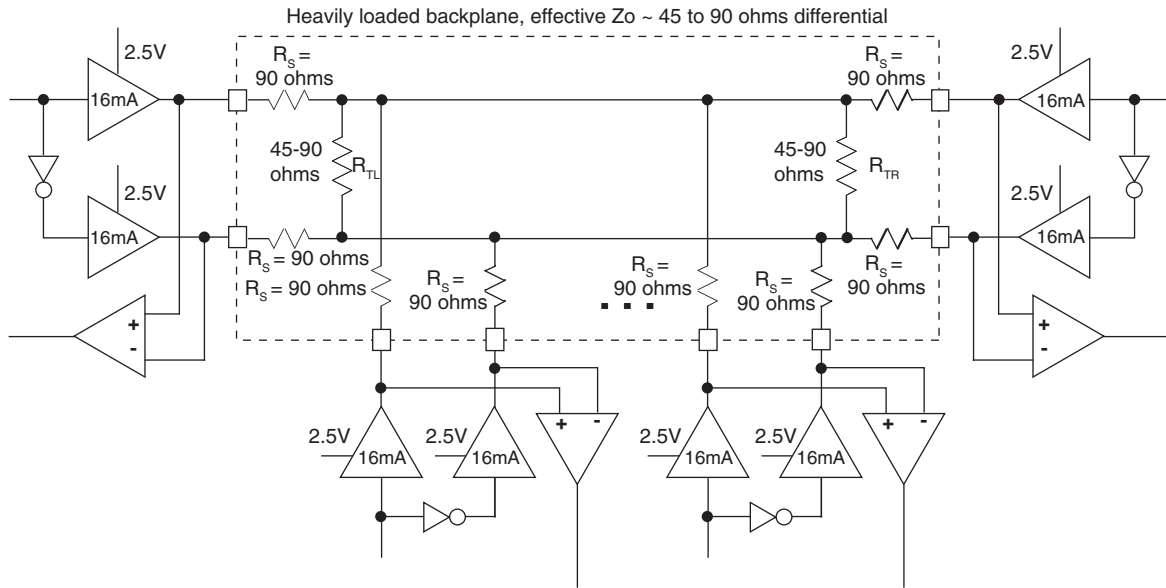


Table 3-2. BLVDS DC Conditions¹

Over Recommended Operating Conditions

Parameter	Description	Typical		Units
		Zo = 45Ω	Zo = 90Ω	
V _{CCIO}	Output Driver Supply (+/- 5%)	2.50	2.50	V
Z _{OUT}	Driver Impedance	10.00	10.00	Ω
R _S	Driver Series Resistor (+/- 1%)	90.00	90.00	Ω
R _{TL}	Driver Parallel Resistor (+/- 1%)	45.00	90.00	Ω
R _{TR}	Receiver Termination (+/- 1%)	45.00	90.00	Ω
V _{OH}	Output High Voltage (After R _{TL})	1.38	1.48	V
V _{OL}	Output Low Voltage (After R _{TL})	1.12	1.02	V
V _{OD}	Output Differential Voltage (After R _{TL})	0.25	0.46	V
V _{CM}	Output Common Mode Voltage	1.25	1.25	V
I _{DC}	DC Output Current	11.24	10.20	mA

1. For input buffer, see LVDS table.

LVPECL

The LatticeXP2 devices support the differential LVPECL standard. This standard is emulated using complementary LVCMOS outputs in conjunction with a parallel resistor across the driver outputs. The LVPECL input standard is supported by the LVDS differential input buffer. The scheme shown in Figure 3-3 is one possible solution for point-to-point signals.

Figure 3-3. Differential LVPECL

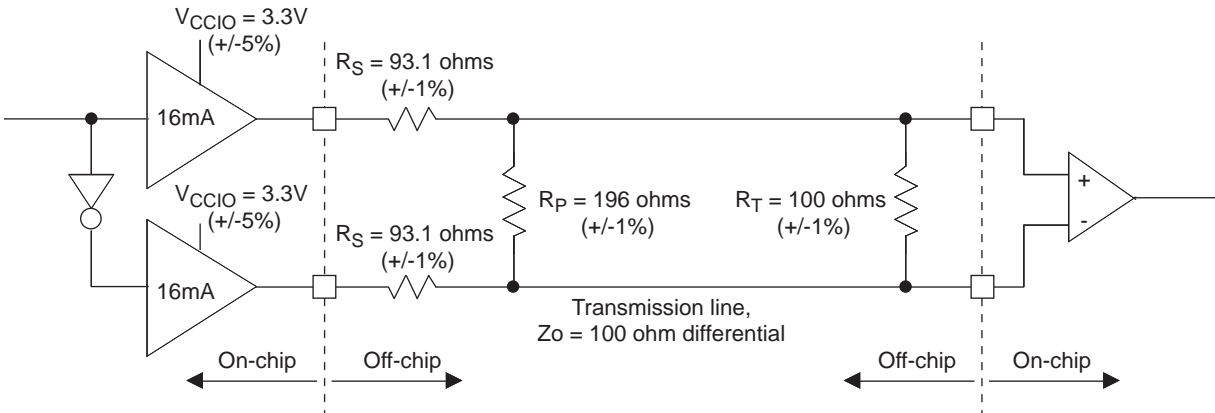


Table 3-3. LVPECL DC Conditions¹

Over Recommended Operating Conditions

Parameter	Description	Typical	Units
V_{CCIO}	Output Driver Supply (+/-5%)	3.30	V
Z_{OUT}	Driver Impedance	10	Ω
R_S	Driver Series Resistor (+/-1%)	93	Ω
R_P	Driver Parallel Resistor (+/-1%)	196	Ω
R_T	Receiver Termination (+/-1%)	100	Ω
V_{OH}	Output High Voltage (After R_P)	2.05	V
V_{OL}	Output Low Voltage (After R_P)	1.25	V
V_{OD}	Output Differential Voltage (After R_P)	0.80	V
V_{CM}	Output Common Mode Voltage	1.65	V
Z_{BACK}	Back Impedance	100.5	Ω
I_{DC}	DC Output Current	12.11	mA

1. For input buffer, see LVDS table.

RSDS

The LatticeXP2 devices support differential RSDS standard. This standard is emulated using complementary LVC-MOS outputs in conjunction with a parallel resistor across the driver outputs. The RSDS input standard is supported by the LVDS differential input buffer. The scheme shown in Figure 3-4 is one possible solution for RSDS standard implementation. Resistor values in Figure 3-4 are industry standard values for 1% resistors.

Figure 3-4. RSDS (Reduced Swing Differential Standard)

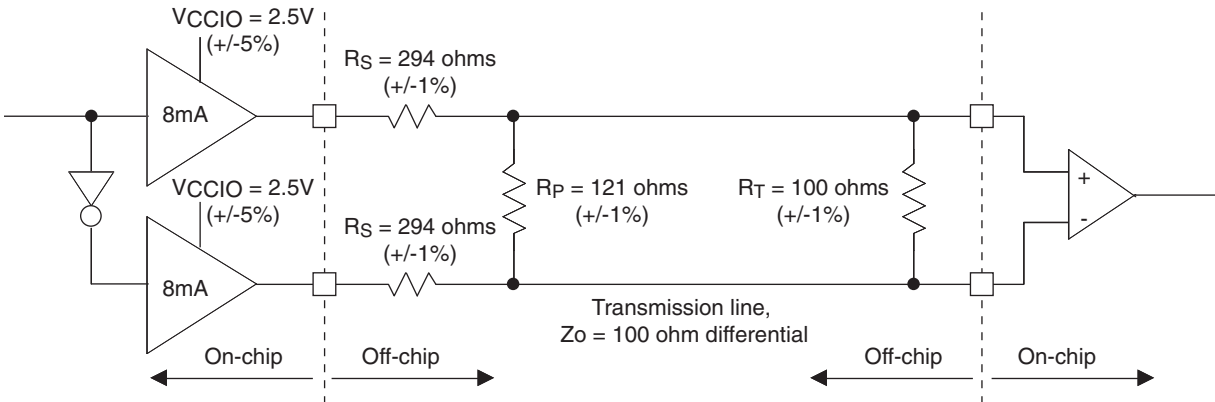


Table 3-4. RSDS DC Conditions¹

Over Recommended Operating Conditions

Parameter	Description	Typical	Units
V_{CCIO}	Output Driver Supply (+/-5%)	2.50	V
Z_{OUT}	Driver Impedance	20	Ω
R_S	Driver Series Resistor (+/-1%)	294	Ω
R_P	Driver Parallel Resistor (+/-1%)	121	Ω
R_T	Receiver Termination (+/-1%)	100	Ω
V_{OH}	Output High Voltage (After R_P)	1.35	V
V_{OL}	Output Low Voltage (After R_P)	1.15	V
V_{OD}	Output Differential Voltage (After R_P)	0.20	V
V_{CM}	Output Common Mode Voltage	1.25	V
Z_{BACK}	Back Impedance	101.5	Ω
I_{DC}	DC Output Current	3.66	mA

1. For input buffer, see LVDS table.

MLVDS

The LatticeXP2 devices support the differential MLVDS standard. This standard is emulated using complementary LVCMOS outputs in conjunction with a parallel resistor across the driver outputs. The MLVDS input standard is supported by the LVDS differential input buffer. The scheme shown in Figure 3-5 is one possible solution for MLVDS standard implementation. Resistor values in Figure 3-5 are industry standard values for 1% resistors.

Figure 3-5. MLVDS (Reduced Swing Differential Standard)

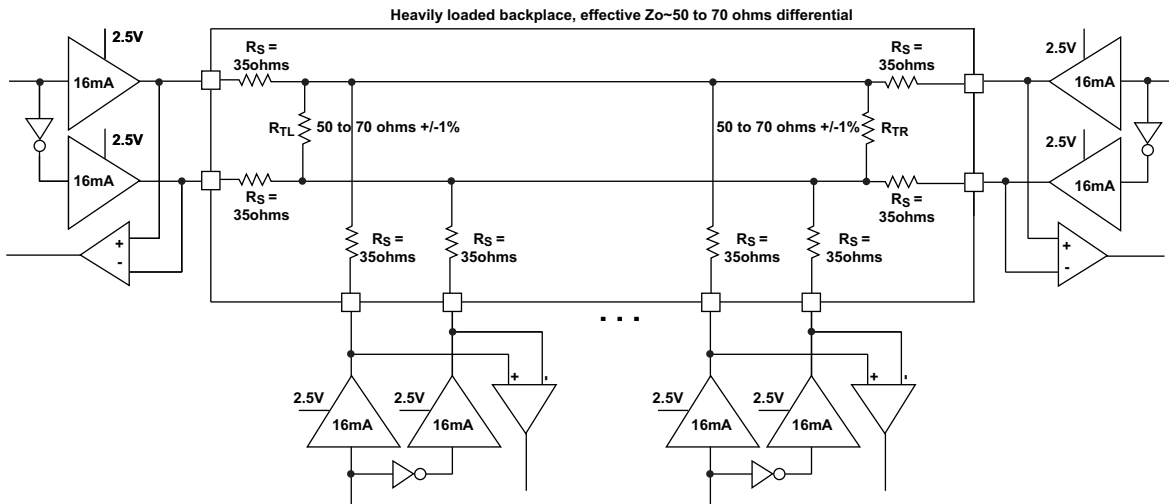


Table 3-5. MLVDS DC Conditions¹

Parameter	Description	Typical		Units
		$Z_o=50\Omega$	$Z_o=70\Omega$	
V_{CCIO}	Output Driver Supply (+/-5%)	2.50	2.50	V
Z_{OUT}	Driver Impedance	10.00	10.00	Ω
R_S	Driver Series Resistor (+/-1%)	35.00	35.00	Ω
R_{TL}	Driver Parallel Resistor (+/-1%)	50.00	70.00	Ω
R_{TR}	Receiver Termination (+/-1%)	50.00	70.00	Ω
V_{OH}	Output High Voltage (After R_{TL})	1.52	1.60	V
V_{OL}	Output Low Voltage (After R_{TL})	0.98	0.90	V
V_{OD}	Output Differential Voltage (After R_{TL})	0.54	0.70	V
V_{CM}	Output Common Mode Voltage	1.25	1.25	V
I_{DC}	DC Output Current	21.74	20.00	mA

1. For input buffer, see LVDS table.

For further information on LVPECL, RSDS, MLVDS, BLVDS and other differential interfaces please see details of additional technical information at the end of this data sheet.

Typical Building Block Function Performance¹**Pin-to-Pin Performance (LVCMOS25 12mA Drive)**

Function	-7 Timing	Units
Basic Functions		
16-bit Decoder	4.4	ns
32-bit Decoder	5.2	ns
64-bit Decoder	5.6	ns
4:1 MUX	3.7	ns
8:1 MUX	3.9	ns
16:1 MUX	4.3	ns
32:1 MUX	4.5	ns

Register-to-Register Performance

Function	-7 Timing	Units
Basic Functions		
16-bit Decoder	521	MHz
32-bit Decoder	537	MHz
64-bit Decoder	484	MHz
4:1 MUX	744	MHz
8:1 MUX	678	MHz
16:1 MUX	616	MHz
32:1 MUX	529	MHz
8-bit Adder	570	MHz
16-bit Adder	507	MHz
64-bit Adder	293	MHz
16-bit Counter	541	MHz
32-bit Counter	440	MHz
64-bit Counter	321	MHz
64-bit Accumulator	261	MHz
Embedded Memory Functions		
512x36 Single Port RAM, EBR Output Registers	315	MHz
1024x18 True-Dual Port RAM (Write Through or Normal, EBR Output Registers)	315	MHz
1024x18 True-Dual Port RAM (Write Through or Normal, PLC Output Registers)	231	MHz
Distributed Memory Functions		
16x4 Pseudo-Dual Port RAM (One PFU)	760	MHz
32x2 Pseudo-Dual Port RAM	455	MHz
64x1 Pseudo-Dual Port RAM	351	MHz
DSP Functions		
18x18 Multiplier (All Registers)	342	MHz
9x9 Multiplier (All Registers)	342	MHz
36x36 Multiply (All Registers)	330	MHz
18x18 Multiply/Accumulate (Input and Output Registers)	218	MHz
18x18 Multiply-Add/Sub-Sum (All Registers)	292	MHz

Register-to-Register Performance (Continued)

Function	-7 Timing	Units
DSP IP Functions		
16-Tap Fully-Parallel FIR Filter	198	MHz
1024-pt FFT	221	MHz
8X8 Matrix Multiplication	196	MHz

1. These timing numbers were generated using the ispLEVER design tool. Exact performance may vary with device, design and tool version. The tool uses internal parameters that have been characterized but are not tested on every device.

Timing v. A 0.12

Derating Timing Tables

Logic timing provided in the following sections of this data sheet and the Diamond design tools are worst case numbers in the operating range. Actual delays at nominal temperature and voltage for best case process, can be much better than the values given in the tables. The Diamond design tool can provide logic timing numbers at a particular temperature and voltage.

LatticeXP2 External Switching Characteristics

Over Recommended Operating Conditions

Parameter	Description	Device	-7		-6		-5		Units
			Min.	Max.	Min.	Max.	Min.	Max.	
General I/O Pin Parameters (using Primary Clock without PLL)¹									
t_{CO}	Clock to Output - PIO Output Register	XP2-5	—	3.80	—	4.20	—	4.60	ns
		XP2-8	—	3.80	—	4.20	—	4.60	ns
		XP2-17	—	3.80	—	4.20	—	4.60	ns
		XP2-30	—	4.00	—	4.40	—	4.90	ns
		XP2-40	—	4.00	—	4.40	—	4.90	ns
t_{SU}	Clock to Data Setup - PIO Input Register	XP2-5	0.00	—	0.00	—	0.00	—	ns
		XP2-8	0.00	—	0.00	—	0.00	—	ns
		XP2-17	0.00	—	0.00	—	0.00	—	ns
		XP2-30	0.00	—	0.00	—	0.00	—	ns
		XP2-40	0.00	—	0.00	—	0.00	—	ns
t_H	Clock to Data Hold - PIO Input Register	XP2-5	1.40	—	1.70	—	1.90	—	ns
		XP2-8	1.40	—	1.70	—	1.90	—	ns
		XP2-17	1.40	—	1.70	—	1.90	—	ns
		XP2-30	1.40	—	1.70	—	1.90	—	ns
		XP2-40	1.40	—	1.70	—	1.90	—	ns
t_{SU_DEL}	Clock to Data Setup - PIO Input Register with Data Input Delay	XP2-5	1.40	—	1.70	—	1.90	—	ns
		XP2-8	1.40	—	1.70	—	1.90	—	ns
		XP2-17	1.40	—	1.70	—	1.90	—	ns
		XP2-30	1.40	—	1.70	—	1.90	—	ns
		XP2-40	1.40	—	1.70	—	1.90	—	ns
t_{H_DEL}	Clock to Data Hold - PIO Input Register with Input Data Delay	XP2-5	0.00	—	0.00	—	0.00	—	ns
		XP2-8	0.00	—	0.00	—	0.00	—	ns
		XP2-17	0.00	—	0.00	—	0.00	—	ns
		XP2-30	0.00	—	0.00	—	0.00	—	ns
		XP2-40	0.00	—	0.00	—	0.00	—	ns
f_{MAX_IO}	Clock Frequency of I/O and PFU Register	XP2	—	420	—	357	—	311	MHz
General I/O Pin Parameters (using Edge Clock without PLL)¹									
t_{COE}	Clock to Output - PIO Output Register	XP2-5	—	3.20	—	3.60	—	3.90	ns
		XP2-8	—	3.20	—	3.60	—	3.90	ns
		XP2-17	—	3.20	—	3.60	—	3.90	ns
		XP2-30	—	3.20	—	3.60	—	3.90	ns
		XP2-40	—	3.20	—	3.60	—	3.90	ns
t_{SUE}	Clock to Data Setup - PIO Input Register	XP2-5	0.00	—	0.00	—	0.00	—	ns
		XP2-8	0.00	—	0.00	—	0.00	—	ns
		XP2-17	0.00	—	0.00	—	0.00	—	ns
		XP2-30	0.00	—	0.00	—	0.00	—	ns
		XP2-40	0.00	—	0.00	—	0.00	—	ns

LatticeXP2 External Switching Characteristics (Continued)

Over Recommended Operating Conditions

Parameter	Description	Device	-7		-6		-5		Units
			Min.	Max.	Min.	Max.	Min.	Max.	
t_{HE}	Clock to Data Hold - PIO Input Register	XP2-5	1.00	—	1.30	—	1.60	—	ns
		XP2-8	1.00	—	1.30	—	1.60	—	ns
		XP2-17	1.00	—	1.30	—	1.60	—	ns
		XP2-30	1.20	—	1.60	—	1.90	—	ns
		XP2-40	1.20	—	1.60	—	1.90	—	ns
t_{SU_DELE}	Clock to Data Setup - PIO Input Register with Data Input Delay	XP2-5	1.00	—	1.30	—	1.60	—	ns
		XP2-8	1.00	—	1.30	—	1.60	—	ns
		XP2-17	1.00	—	1.30	—	1.60	—	ns
		XP2-30	1.20	—	1.60	—	1.90	—	ns
		XP2-40	1.20	—	1.60	—	1.90	—	ns
t_{H_DELE}	Clock to Data Hold - PIO Input Register with Input Data Delay	XP2-5	0.00	—	0.00	—	0.00	—	ns
		XP2-8	0.00	—	0.00	—	0.00	—	ns
		XP2-17	0.00	—	0.00	—	0.00	—	ns
		XP2-30	0.00	—	0.00	—	0.00	—	ns
		XP2-40	0.00	—	0.00	—	0.00	—	ns
f_{MAX_IOE}	Clock Frequency of I/O and PFU Register	XP2	—	420	—	357	—	311	MHz
General I/O Pin Parameters (using Primary Clock with PLL)¹									
t_{COPLL}	Clock to Output - PIO Output Register	XP2-5	—	3.00	—	3.30	—	3.70	ns
		XP2-8	—	3.00	—	3.30	—	3.70	ns
		XP2-17	—	3.00	—	3.30	—	3.70	ns
		XP2-30	—	3.00	—	3.30	—	3.70	ns
		XP2-40	—	3.00	—	3.30	—	3.70	ns
t_{SUPLL}	Clock to Data Setup - PIO Input Register	XP2-5	1.00	—	1.20	—	1.40	—	ns
		XP2-8	1.00	—	1.20	—	1.40	—	ns
		XP2-17	1.00	—	1.20	—	1.40	—	ns
		XP2-30	1.00	—	1.20	—	1.40	—	ns
		XP2-40	1.00	—	1.20	—	1.40	—	ns
t_{HPLL}	Clock to Data Hold - PIO Input Register	XP2-5	0.90	—	1.10	—	1.30	—	ns
		XP2-8	0.90	—	1.10	—	1.30	—	ns
		XP2-17	0.90	—	1.10	—	1.30	—	ns
		XP2-30	1.00	—	1.20	—	1.40	—	ns
		XP2-40	1.00	—	1.20	—	1.40	—	ns
t_{SU_DELPLL}	Clock to Data Setup - PIO Input Register with Data Input Delay	XP2-5	1.90	—	2.10	—	2.30	—	ns
		XP2-8	1.90	—	2.10	—	2.30	—	ns
		XP2-17	1.90	—	2.10	—	2.30	—	ns
		XP2-30	2.00	—	2.20	—	2.40	—	ns
		XP2-40	2.00	—	2.20	—	2.40	—	ns

LatticeXP2 External Switching Characteristics (Continued)

Over Recommended Operating Conditions

Parameter	Description	Device	-7		-6		-5		Units
			Min.	Max.	Min.	Max.	Min.	Max.	
t_{H_DELPLL}	Clock to Data Hold - PIO Input Register with Input Data Delay	XP2-5	0.00	—	0.00	—	0.00	—	ns
		XP2-8	0.00	—	0.00	—	0.00	—	ns
		XP2-17	0.00	—	0.00	—	0.00	—	ns
		XP2-30	0.00	—	0.00	—	0.00	—	ns
		XP2-40	0.00	—	0.00	—	0.00	—	ns
DDR² and DDR² I/O Pin Parameters									
t_{DVADQ}	Data Valid After DQS (DDR Read)	XP2	—	0.29	—	0.29	—	0.29	UI
t_{DVEDQ}	Data Hold After DQS (DDR Read)	XP2	0.71	—	0.71	—	0.71	—	UI
t_{DQVBS}	Data Valid Before DQS	XP2	0.25	—	0.25	—	0.25	—	UI
t_{DQVAS}	Data Valid After DQS	XP2	0.25	—	0.25	—	0.25	—	UI
f_{MAX_DDR}	DDR Clock Frequency	XP2	95	200	95	166	95	133	MHz
f_{MAX_DDR2}	DDR Clock Frequency	XP2	133	200	133	200	133	166	MHz
Primary Clock									
f_{MAX_PRI}	Frequency for Primary Clock Tree	XP2	—	420	—	357	—	311	MHz
t_{W_PRI}	Clock Pulse Width for Primary Clock	XP2	1	—	1	—	1	—	ns
t_{SKEW_PRI}	Primary Clock Skew Within a Bank	XP2	—	160	—	160	—	160	ps
Edge Clock (ECLK1 and ECLK2)									
f_{MAX_ECLK}	Frequency for Edge Clock	XP2	—	420	—	357	—	311	MHz
t_{W_ECLK}	Clock Pulse Width for Edge Clock	XP2	1	—	1	—	1	—	ns
t_{SKEW_ECLK}	Edge Clock Skew Within an Edge of the Device	XP2	—	130	—	130	—	130	ps

1. General timing numbers based on LVCMOS 2.5, 12mA, 0pf load.

2. DDR timing numbers based on SSTL25.

3. DDR2 timing numbers based on SSTL18.

Timing v. A 0.12

LatticeXP2 Internal Switching Characteristics¹

Over Recommended Operating Conditions

Parameter	Description	-7		-6		-5		Units
		Min.	Max.	Min.	Max.	Min.	Max.	
PFU/PFF Logic Mode Timing								
t _{LUT4_PFU}	LUT4 delay (A to D inputs to F output)	—	0.216	—	0.238	—	0.260	ns
t _{LUT6_PFU}	LUT6 delay (A to D inputs to OFX output)	—	0.304	—	0.399	—	0.494	ns
t _{LSR_PFU}	Set/Reset to output of PFU (Asynchronous)	—	0.720	—	0.769	—	0.818	ns
t _{SUM_PFU}	Clock to Mux (M0,M1) Input Setup Time	0.154	—	0.151	—	0.148	—	ns
t _{HM_PFU}	Clock to Mux (M0,M1) Input Hold Time	-0.061	—	-0.057	—	-0.053	—	ns
t _{SUD_PFU}	Clock to D input setup time	0.061	—	0.077	—	0.093	—	ns
t _{HD_PFU}	Clock to D input hold time	0.002	—	0.003	—	0.003	—	ns
t _{CK2Q_PFU}	Clock to Q delay, (D-type Register Configuration)	—	0.342	—	0.363	—	0.383	ns
t _{RSTREC_PFU}	Asynchronous reset recovery time for PFU Logic	—	0.520	—	0.634	—	0.748	ns
t _{RST_PFU}	Asynchronous reset time for PFU Logic	—	0.720	—	0.769	—	0.818	ns
PFU Dual Port Memory Mode Timing								
t _{CORAM_PFU}	Clock to Output (F Port)	—	1.082	—	1.267	—	1.452	ns
t _{SUDATA_PFU}	Data Setup Time	-0.206	—	-0.240	—	-0.274	—	ns
t _{HDATA_PFU}	Data Hold Time	0.239	—	0.275	—	0.312	—	ns
t _{SUADDR_PFU}	Address Setup Time	-0.294	—	-0.333	—	-0.371	—	ns
t _{HADDR_PFU}	Address Hold Time	0.295	—	0.333	—	0.371	—	ns
t _{SUWREN_PFU}	Write/Read Enable Setup Time	-0.146	—	-0.169	—	-0.193	—	ns
t _{HWREN_PFU}	Write/Read Enable Hold Time	0.158	—	0.182	—	0.207	—	ns
PIO Input/Output Buffer Timing								
t _{IN_PIO}	Input Buffer Delay (LVCMOS25)	—	0.858	—	0.766	—	0.674	ns
t _{OUT_PIO}	Output Buffer Delay (LVCMOS25)	—	1.561	—	1.403	—	1.246	ns
IOLOGIC Input/Output Timing								
t _{SUI_PIO}	Input Register Setup Time (Data Before Clock)	0.583	—	0.893	—	1.201	—	ns
t _{HI_PIO}	Input Register Hold Time (Data after Clock)	0.062	—	0.322	—	0.482	—	ns
t _{COO_PIO}	Output Register Clock to Output Delay	—	0.608	—	0.661	—	0.715	ns
t _{SUCE_PIO}	Input Register Clock Enable Setup Time	0.032	—	0.037	—	0.041	—	ns
t _{HCE_PIO}	Input Register Clock Enable Hold Time	-0.022	—	-0.025	—	-0.028	—	ns
t _{SULSR_PIO}	Set/Reset Setup Time	0.184	—	0.201	—	0.217	—	ns
t _{HLSR_PIO}	Set/Reset Hold Time	-0.080	—	-0.086	—	-0.093	—	ns
t _{RSTREC_PIO}	Asynchronous reset recovery time for IO Logic	0.228	—	0.247	—	0.266	—	ns

LatticeXP2 Internal Switching Characteristics¹ (Continued)

Over Recommended Operating Conditions

Parameter	Description	-7		-6		-5		Units
		Min.	Max.	Min.	Max.	Min.	Max.	
t _{RST_PIO}	Asynchronous reset time for PFU Logic	—	0.386	—	0.419	—	0.452	ns
t _{DEL}	Dynamic Delay Step Size	0.035	0.035	0.035	0.035	0.035	0.035	ns
EBR Timing								
t _{CO_EBR}	Clock (Read) to Output from Address or Data	—	2.774	—	3.142	—	3.510	ns
t _{COO_EBR}	Clock (Write) to Output from EBR Output Register	—	0.360	—	0.408	—	0.456	ns
t _{SUDATA_EBR}	Setup Data to EBR Memory (Write Clk)	-0.167	—	-0.198	—	-0.229	—	ns
t _{HDATA_EBR}	Hold Data to EBR Memory (Write Clk)	0.194	—	0.231	—	0.267	—	ns
t _{SUADDR_EBR}	Setup Address to EBR Memory (Write Clk)	-0.117	—	-0.137	—	-0.157	—	ns
t _{HADDR_EBR}	Hold Address to EBR Memory (Write Clk)	0.157	—	0.182	—	0.207	—	ns
t _{SUWREN_EBR}	Setup Write/Read Enable to EBR Memory (Write/Read Clk)	-0.135	—	-0.159	—	-0.182	—	ns
t _{HWREN_EBR}	Hold Write/Read Enable to EBR Memory (Write/Read Clk)	0.158	—	0.186	—	0.214	—	ns
t _{SUCE_EBR}	Clock Enable Setup Time to EBR Output Register (Read Clk)	0.144	—	0.160	—	0.176	—	ns
t _{HCE_EBR}	Clock Enable Hold Time to EBR Output Register (Read Clk)	-0.097	—	-0.113	—	-0.129	—	ns
t _{RSTO_EBR}	Reset To Output Delay Time from EBR Output Register (Asynchronous)	—	1.156	—	1.341	—	1.526	ns
t _{SUBE_EBR}	Byte Enable Set-Up Time to EBR Output Register	-0.117	—	-0.137	—	-0.157	—	ns
t _{HBE_EBR}	Byte Enable Hold Time to EBR Output Register Dynamic Delay on Each PIO	0.157	—	0.182	—	0.207	—	ns
t _{RSTREC_EBR}	Asynchronous reset recovery time for EBR	0.233	—	0.291	—	0.347	—	ns
t _{RST_EBR}	Asynchronous reset time for EBR	—	1.156	—	1.341	—	1.526	ns
PLL Parameters								
t _{RSTKREC_PLL}	After RSTK De-assert, Recovery Time Before Next Clock Edge Can Toggle K-divider Counter	1.000	—	1.000	—	1.000	—	ns
t _{RSTREC_PLL}	After RST De-assert, Recovery Time Before Next Clock Edge Can Toggle M-divider Counter (Applies to M-Divider Portion of RST Only ²)	1.000	—	1.000	—	1.000	—	ns
DSP Block Timing								
t _{SUI_DSP}	Input Register Setup Time	0.135	—	0.151	—	0.166	—	ns
t _{HI_DSP}	Input Register Hold Time	0.021	—	-0.006	—	-0.031	—	ns
t _{SUP_DSP}	Pipeline Register Setup Time	2.505	—	2.784	—	3.064	—	ns

LatticeXP2 Internal Switching Characteristics¹ (Continued)

Over Recommended Operating Conditions

Parameter	Description	-7		-6		-5		Units
		Min.	Max.	Min.	Max.	Min.	Max.	
t _{HP_DSP}	Pipeline Register Hold Time	-0.787	—	-0.890	—	-0.994	—	ns
t _{SUO_DSP}	Output Register Setup Time	4.896	—	5.413	—	5.931	—	ns
t _{HO_DSP}	Output Register Hold Time	-1.439	—	-1.604	—	-1.770	—	ns
t _{COI_DSP} ³	Input Register Clock to Output Time	—	4.513	—	4.947	—	5.382	ns
t _{COP_DSP} ³	Pipeline Register Clock to Output Time	—	2.153	—	2.272	—	2.391	ns
t _{COO_DSP} ³	Output Register Clock to Output Time	—	0.569	—	0.600	—	0.631	ns
t _{SUADSUB}	AdSub Input Register Setup Time	-0.270	—	-0.298	—	-0.327	—	ns
t _{HADSUB}	AdSub Input Register Hold Time	0.306	—	0.338	—	0.371	—	ns

1. Internal parameters are characterized, but not tested on every device.

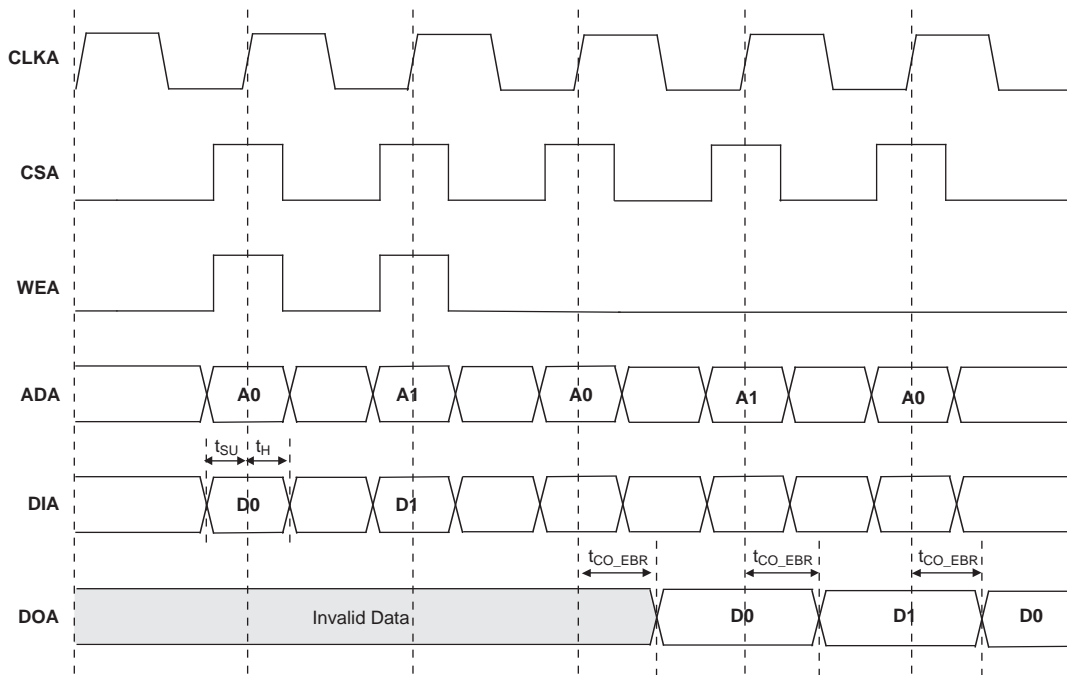
2. RST resets VCO and all counters in PLL.

3. These parameters include the Adder Subtractor block in the path.

Timing v. A 0.12

EBR Timing Diagrams

Figure 3-6. Read/Write Mode (Normal)



Note: Input data and address are registered at the positive edge of the clock and output data appears after the positive edge of the clock.

Figure 3-7. Read/Write Mode with Input and Output Registers

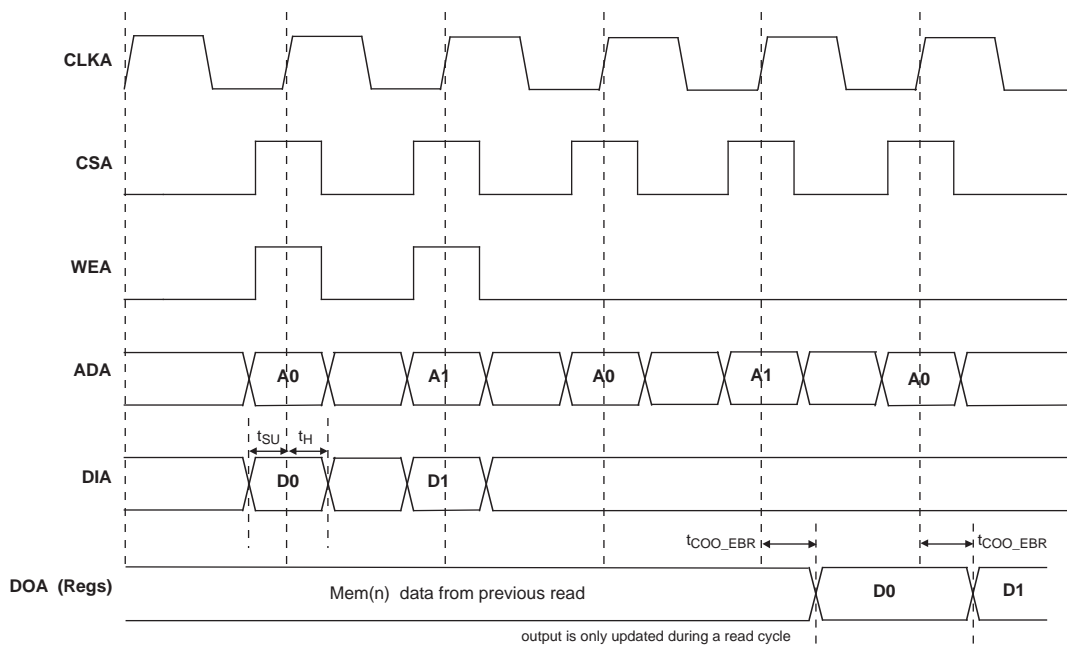
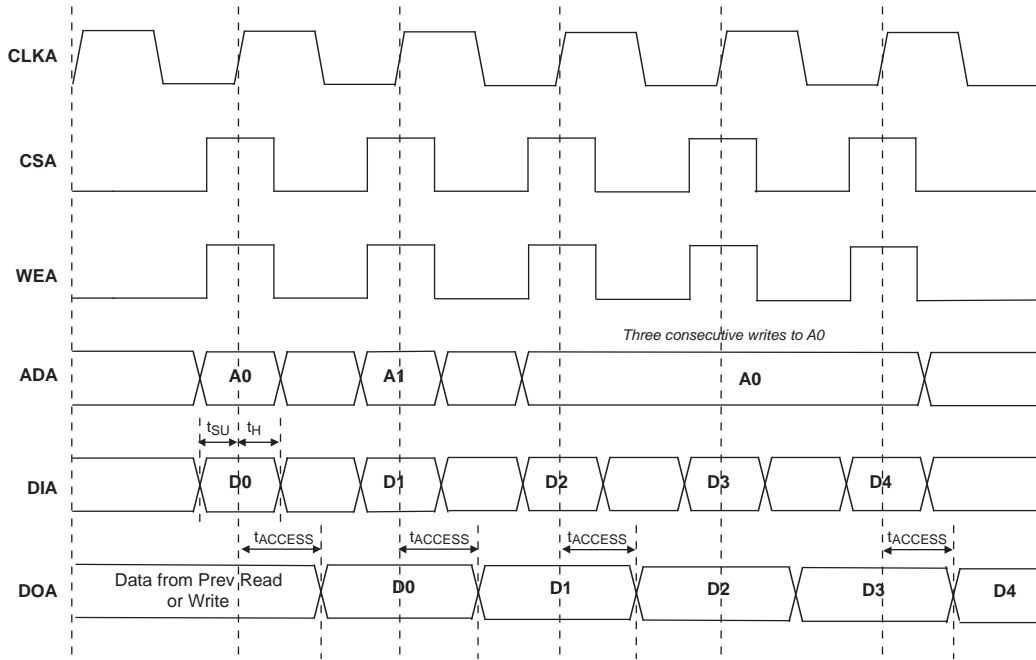


Figure 3-8. Write Through (SP Read/Write on Port A, Input Registers Only)



Note: Input data and address are registered at the positive edge of the clock and output data appears after the positive edge of the clock.

LatticeXP2 Family Timing Adders^{1, 2, 3}

Over Recommended Operating Conditions

Buffer Type	Description	-7	-6	-5	Units
Input Adjusters					
LVDS25	LVDS	-0.26	-0.11	0.04	ns
BLVDS25	BLVDS	-0.26	-0.11	0.04	ns
MLVDS	LVDS	-0.26	-0.11	0.04	ns
RSDS	RSDS	-0.26	-0.11	0.04	ns
LVPECL33	LVPECL	-0.26	-0.11	0.04	ns
HSTL18_I	HSTL_18 class I	-0.23	-0.08	0.07	ns
HSTL18_II	HSTL_18 class II	-0.23	-0.08	0.07	ns
HSTL18D_I	Differential HSTL 18 class I	-0.28	-0.13	0.02	ns
HSTL18D_II	Differential HSTL 18 class II	-0.28	-0.13	0.02	ns
HSTL15_I	HSTL_15 class I	-0.23	-0.09	0.06	ns
HSTL15D_I	Differential HSTL 15 class I	-0.28	-0.13	0.01	ns
SSTL33_I	SSTL_3 class I	-0.20	-0.04	0.12	ns
SSTL33_II	SSTL_3 class II	-0.20	-0.04	0.12	ns
SSTL33D_I	Differential SSTL_3 class I	-0.27	-0.11	0.04	ns
SSTL33D_II	Differential SSTL_3 class II	-0.27	-0.11	0.04	ns
SSTL25_I	SSTL_2 class I	-0.21	-0.06	0.10	ns
SSTL25_II	SSTL_2 class II	-0.21	-0.06	0.10	ns
SSTL25D_I	Differential SSTL_2 class I	-0.27	-0.12	0.03	ns
SSTL25D_II	Differential SSTL_2 class II	-0.27	-0.12	0.03	ns
SSTL18_I	SSTL_18 class I	-0.23	-0.08	0.07	ns
SSTL18_II	SSTL_18 class II	-0.23	-0.08	0.07	ns
SSTL18D_I	Differential SSTL_18 class I	-0.28	-0.13	0.02	ns
SSTL18D_II	Differential SSTL_18 class II	-0.28	-0.13	0.02	ns
LVTTTL33	LVTTTL	-0.09	0.05	0.18	ns
LVC MOS33	LVC MOS 3.3	-0.09	0.05	0.18	ns
LVC MOS25	LVC MOS 2.5	0.00	0.00	0.00	ns
LVC MOS18	LVC MOS 1.8	-0.23	-0.07	0.09	ns
LVC MOS15	LVC MOS 1.5	-0.20	-0.02	0.16	ns
LVC MOS12	LVC MOS 1.2	-0.35	-0.20	-0.04	ns
PCI33	3.3V PCI	-0.09	0.05	0.18	ns
Output Adjusters					
LVDS25E	LVDS 2.5 E ⁴	-0.25	0.02	0.30	ns
LVDS25	LVDS 2.5	-0.25	0.02	0.30	ns
BLVDS25	BLVDS 2.5	-0.28	0.00	0.28	ns
MLVDS	MLVDS 2.5 ⁴	-0.28	0.00	0.28	ns
RSDS	RSDS 2.5 ⁴	-0.25	0.02	0.30	ns
LVPECL33	LVPECL 3.3 ⁴	-0.37	-0.10	0.18	ns
HSTL18_I	HSTL_18 class I 8mA drive	-0.17	0.13	0.43	ns
HSTL18_II	HSTL_18 class II	-0.29	0.00	0.29	ns
HSTL18D_I	Differential HSTL 18 class I 8mA drive	-0.17	0.13	0.43	ns
HSTL18D_II	Differential HSTL 18 class II	-0.29	0.00	0.29	ns

LatticeXP2 Family Timing Adders^{1, 2, 3} (Continued)

Over Recommended Operating Conditions

Buffer Type	Description	-7	-6	-5	Units
HSTL15_I	HSTL_15 class I 4mA drive	0.32	0.69	1.06	ns
HSTL15D_I	Differential HSTL 15 class I 4mA drive	0.32	0.69	1.06	ns
SSTL33_I	SSTL_3 class I	-0.25	0.05	0.35	ns
SSTL33_II	SSTL_3 class II	-0.31	-0.02	0.27	ns
SSTL33D_I	Differential SSTL_3 class I	-0.25	0.05	0.35	ns
SSTL33D_II	Differential SSTL_3 class II	-0.31	-0.02	0.27	ns
SSTL25_I	SSTL_2 class I 8mA drive	-0.25	0.02	0.30	ns
SSTL25_II	SSTL_2 class II 16mA drive	-0.28	0.00	0.28	ns
SSTL25D_I	Differential SSTL_2 class I 8mA drive	-0.25	0.02	0.30	ns
SSTL25D_II	Differential SSTL_2 class II 16mA drive	-0.28	0.00	0.28	ns
SSTL18_I	SSTL_1.8 class I	-0.17	0.13	0.43	ns
SSTL18_II	SSTL_1.8 class II 8mA drive	-0.18	0.12	0.42	ns
SSTL18D_I	Differential SSTL_1.8 class I	-0.17	0.13	0.43	ns
SSTL18D_II	Differential SSTL_1.8 class II 8mA drive	-0.18	0.12	0.42	ns
LVTTTL33_4mA	LVTTTL 4mA drive	-0.37	-0.05	0.26	ns
LVTTTL33_8mA	LVTTTL 8mA drive	-0.45	-0.18	0.10	ns
LVTTTL33_12mA	LVTTTL 12mA drive	-0.52	-0.24	0.04	ns
LVTTTL33_16mA	LVTTTL 16mA drive	-0.43	-0.14	0.14	ns
LVTTTL33_20mA	LVTTTL 20mA drive	-0.46	-0.18	0.09	ns
LVCMOS33_4mA	LVCMOS 3.3 4mA drive, fast slew rate	-0.37	-0.05	0.26	ns
LVCMOS33_8mA	LVCMOS 3.3 8mA drive, fast slew rate	-0.45	-0.18	0.10	ns
LVCMOS33_12mA	LVCMOS 3.3 12mA drive, fast slew rate	-0.52	-0.24	0.04	ns
LVCMOS33_16mA	LVCMOS 3.3 16mA drive, fast slew rate	-0.43	-0.14	0.14	ns
LVCMOS33_20mA	LVCMOS 3.3 20mA drive, fast slew rate	-0.46	-0.18	0.09	ns
LVCMOS25_4mA	LVCMOS 2.5 4mA drive, fast slew rate	-0.42	-0.15	0.13	ns
LVCMOS25_8mA	LVCMOS 2.5 8mA drive, fast slew rate	-0.48	-0.21	0.05	ns
LVCMOS25_12mA	LVCMOS 2.5 12mA drive, fast slew rate	0.00	0.00	0.00	ns
LVCMOS25_16mA	LVCMOS 2.5 16mA drive, fast slew rate	-0.45	-0.18	0.08	ns
LVCMOS25_20mA	LVCMOS 2.5 20mA drive, fast slew rate	-0.49	-0.22	0.04	ns
LVCMOS18_4mA	LVCMOS 1.8 4mA drive, fast slew rate	-0.46	-0.18	0.10	ns
LVCMOS18_8mA	LVCMOS 1.8 8mA drive, fast slew rate	-0.52	-0.25	0.02	ns
LVCMOS18_12mA	LVCMOS 1.8 12mA drive, fast slew rate	-0.56	-0.30	-0.03	ns
LVCMOS18_16mA	LVCMOS 1.8 16mA drive, fast slew rate	-0.50	-0.24	0.03	ns
LVCMOS15_4mA	LVCMOS 1.5 4mA drive, fast slew rate	-0.45	-0.17	0.11	ns
LVCMOS15_8mA	LVCMOS 1.5 8mA drive, fast slew rate	-0.53	-0.26	0.00	ns
LVCMOS12_2mA	LVCMOS 1.2 2mA drive, fast slew rate	-0.46	-0.19	0.08	ns
LVCMOS12_6mA	LVCMOS 1.2 6mA drive, fast slew rate	-0.55	-0.29	-0.02	ns
LVCMOS33_4mA	LVCMOS 3.3 4mA drive, slow slew rate	0.98	1.41	1.84	ns
LVCMOS33_8mA	LVCMOS 3.3 8mA drive, slow slew rate	0.74	1.16	1.58	ns
LVCMOS33_12mA	LVCMOS 3.3 12mA drive, slow slew rate	0.56	0.97	1.38	ns
LVCMOS33_16mA	LVCMOS 3.3 16mA drive, slow slew rate	0.77	1.19	1.61	ns
LVCMOS33_20mA	LVCMOS 3.3 20mA drive, slow slew rate	0.57	0.98	1.40	ns

LatticeXP2 Family Timing Adders^{1, 2, 3} (Continued)

Over Recommended Operating Conditions

Buffer Type	Description	-7	-6	-5	Units
LVC MOS25_4mA	LVC MOS 2.5 4mA drive, slow slew rate	1.05	1.43	1.81	ns
LVC MOS25_8mA	LVC MOS 2.5 8mA drive, slow slew rate	0.78	1.15	1.52	ns
LVC MOS25_12mA	LVC MOS 2.5 12mA drive, slow slew rate	0.59	0.96	1.33	ns
LVC MOS25_16mA	LVC MOS 2.5 16mA drive, slow slew rate	0.81	1.18	1.55	ns
LVC MOS25_20mA	LVC MOS 2.5 20mA drive, slow slew rate	0.61	0.98	1.35	ns
LVC MOS18_4mA	LVC MOS 1.8 4mA drive, slow slew rate	1.01	1.38	1.75	ns
LVC MOS18_8mA	LVC MOS 1.8 8mA drive, slow slew rate	0.72	1.08	1.45	ns
LVC MOS18_12mA	LVC MOS 1.8 12mA drive, slow slew rate	0.53	0.90	1.26	ns
LVC MOS18_16mA	LVC MOS 1.8 16mA drive, slow slew rate	0.74	1.11	1.48	ns
LVC MOS15_4mA	LVC MOS 1.5 4mA drive, slow slew rate	0.96	1.33	1.71	ns
LVC MOS15_8mA	LVC MOS 1.5 8mA drive, slow slew rate	-0.53	-0.26	0.00	ns
LVC MOS12_2mA	LVC MOS 1.2 2mA drive, slow slew rate	0.90	1.27	1.65	ns
LVC MOS12_6mA	LVC MOS 1.2 6mA drive, slow slew rate	-0.55	-0.29	-0.02	ns
PCI33	3.3V PCI	-0.29	-0.01	0.26	ns

1. Timing Adders are characterized but not tested on every device.
 2. LVC MOS timing measured with the load specified in Switching Test Condition table.
 3. All other standards tested according to the appropriate specifications.
 4. These timing adders are measured with the recommended resistor values.
- Timing v. A 0.12

sysCLOCK PLL Timing

Over Recommended Operating Conditions

Parameter	Description	Conditions	Min.	Typ.	Max.	Units
f_{IN}	Input Clock Frequency (CLKI, CLKFB)		10	—	435	MHz
f_{OUT}	Output Clock Frequency (CLKOP, CLKOS)		10	—	435	MHz
f_{OUT2}	K-Divider Output Frequency	CLKOK	0.078	—	217.5	MHz
		CLKOK2	3.3	—	145	MHz
f_{VCO}	PLL VCO Frequency		435	—	870	MHz
f_{PFD}	Phase Detector Input Frequency		10	—	435	MHz
AC Characteristics						
t_{DT}	Output Clock Duty Cycle	Default duty cycle selected ³	45	50	55	%
t_{CPA}	Coarse Phase Adjust		-5	0	5	%
t_{PH} ⁴	Output Phase Accuracy		-5	0	5	%
t_{OPJIT} ¹	Output Clock Period Jitter	$f_{OUT} > 400$ MHz	—	—	±50	ps
		100 MHz $< f_{OUT} < 400$ MHz	—	—	±125	ps
		$f_{OUT} < 100$ MHz	—	—	0.025	UIPP
t_{SK}	Input Clock to Output Clock Skew	N/M = integer	—	—	±240	ps
t_{OPW}	Output Clock Pulse Width	At 90% or 10%	1	—	—	ns
t_{LOCK} ²	PLL Lock-in Time	25 to 435 MHz	—	—	50	µs
		10 to 25 MHz	—	—	100	µs
t_{IPJIT}	Input Clock Period Jitter		—	—	±200	ps
t_{FBKDLY}	External Feedback Delay		—	—	10	ns
t_{HI}	Input Clock High Time	90% to 90%	0.5	—	—	ns
t_{LO}	Input Clock Low Time	10% to 10%	0.5	—	—	ns
t_R / t_F	Input Clock Rise/Fall Time	10% to 90%	—	—	1	ns
t_{RSTKW}	Reset Signal Pulse Width (RSTK)		10	—	—	ns
t_{RSTW}	Reset Signal Pulse Width (RST)		500	—	—	ns

1. Jitter sample is taken over 10,000 samples of the primary PLL output with clean reference clock.

2. Output clock is valid after t_{LOCK} for PLL reset and dynamic delay adjustment.

3. Using LVDS output buffers.

4. Relative to CLKOP.

Timing v. A 0.12

LatticeXP2 sysCONFIG Port Timing Specifications

Over Recommended Operating Conditions

Parameter	Description	Min	Max	Units
sysCONFIG POR, Initialization and Wake Up				
t_{ICFG}	Minimum Vcc to INITN High	—	50	ms
t_{VMC}	Time from t_{ICFG} to valid Master CCLK	—	2	μ s
t_{PRGMRJ}	PROGRAMN Pin Pulse Rejection	—	12	ns
t_{PRGM}	PROGRAMN Low Time to Start Configuration	50	—	ns
t_{DINIT}^1	PROGRAMN High to INITN High Delay	—	1	ms
$t_{DPPINIT}$	Delay Time from PROGRAMN Low to INITN Low	—	50	ns
$t_{DPPDONE}$	Delay Time from PROGRAMN Low to DONE Low	—	50	ns
t_{IODISS}	User I/O Disable from PROGRAMN Low	—	35	ns
t_{IOENSS}	User I/O Enabled Time from CCLK Edge During Wake-up Sequence	—	25	ns
t_{MWC}	Additional Wake Master Clock Signals after DONE Pin High	0	—	Cycles
sysCONFIG SPI Port (Master)				
t_{CFGX}	INITN High to CCLK Low	—	1	μ s
t_{CSSPI}	INITN High to CSSPIN Low	—	2	μ s
t_{CSCCLK}	CCLK Low before CSSPIN Low	0	—	ns
t_{SOCDO}	CCLK Low to Output Valid	—	15	ns
t_{CSPID}	CSSPIN[0:1] Low to First CCLK Edge Setup Time	2cyc	600+6cyc	ns
f_{MAXSPI}	Max CCLK Frequency	—	20	MHz
t_{SUSPI}	SOSPI Data Setup Time Before CCLK	7	—	ns
t_{HSPI}	SOSPI Data Hold Time After CCLK	10	—	ns
sysCONFIG SPI Port (Slave)				
$f_{MAXSPIS}$	Slave CCLK Frequency	—	25	MHz
t_{RF}	Rise and Fall Time	50	—	mV/ns
t_{STCO}	Falling Edge of CCLK to SOSPI Active	—	20	ns
t_{STOZ}	Falling Edge of CCLK to SOSPI Disable	—	20	ns
t_{STSU}	Data Setup Time (SISPI)	8	—	ns
t_{STH}	Data Hold Time (SISPI)	10	—	ns
t_{STCKH}	CCLK Clock Pulse Width, High	0.02	200	μ s
t_{STCKL}	CCLK Clock Pulse Width, Low	0.02	200	μ s
t_{STVO}	Falling Edge of CCLK to Valid SOSPI Output	—	20	ns
t_{SCS}	CSSPISN High Time	25	—	ns
t_{SCSS}	CSSPISN Setup Time	25	—	ns
t_{SCSH}	CSSPISN Hold Time	25	—	ns

1. Re-toggling the PROGRAMN pin is not permitted until the INITN pin is high. Avoid consecutive toggling of PROGRAMN.

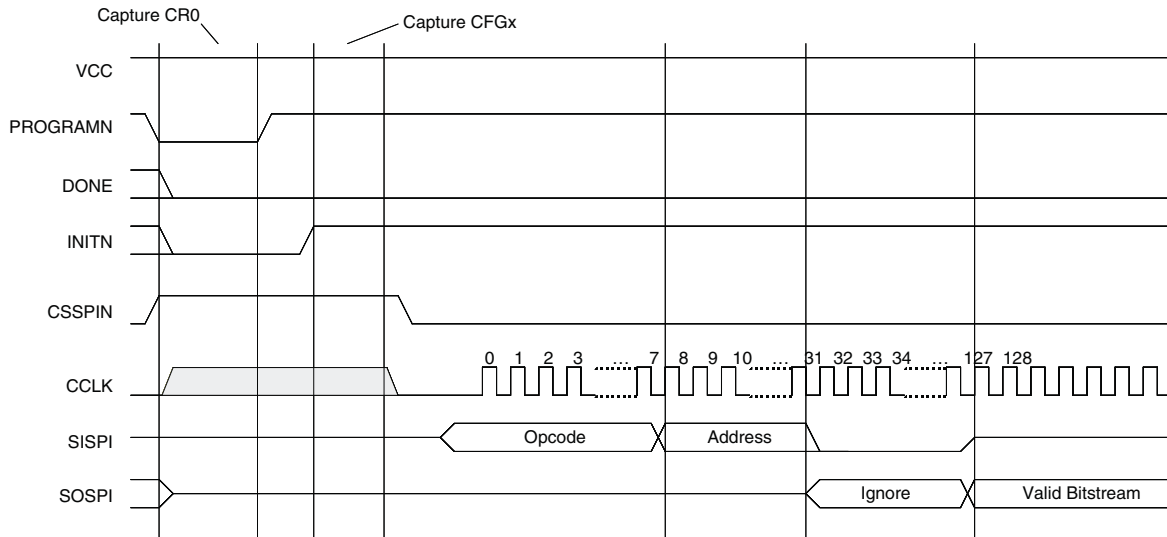
On-Chip Oscillator and Configuration Master Clock Characteristics

Over Recommended Operating Conditions

Parameter	Min.	Max.	Units
Master Clock Frequency	Selected value -30%	Selected value +30%	MHz
Duty Cycle	40	60	%

Timing v. A 0.12

Figure 3-9. Master SPI Configuration Waveforms



Flash Download Time (from On-Chip Flash to SRAM)

Over Recommended Operating Conditions

Symbol	Parameter		Min.	Typ.	Max.	Units
t_{REFRESH}	PROGRAMN Low-to-High. Transition to Done High.	XP2-5	—	1.8	2.1	ms
		XP2-8	—	1.9	2.3	ms
		XP2-17	—	1.7	2.0	ms
		XP2-30	—	2.0	2.1	ms
		XP2-40	—	2.0	2.3	ms
	Power-up refresh when PROGRAMN is pulled up to V_{CC} ($V_{\text{CC}}=V_{\text{CC Min}}$)	XP2-5	—	1.8	2.1	ms
		XP2-8	—	1.9	2.3	ms
		XP2-17	—	1.7	2.0	ms
		XP2-30	—	2.0	2.1	ms
		XP2-40	—	2.0	2.3	ms

Flash Program Time

Over Recommended Operating Conditions

Device	Flash Density		Program Time		Units
			Typ.		
XP2-5	1.2M	TAG	1.0		ms
		Main Array	1.1		s
XP2-8	2.0M	TAG	1.0		ms
		Main Array	1.4		s
XP2-17	3.6M	TAG	1.0		ms
		Main Array	1.8		s
XP2-30	6.0M	TAG	2.0		ms
		Main Array	3.0		s
XP2-40	8.0M	TAG	2.0		ms
		Main Array	4.0		s

Flash Erase Time

Over Recommended Operating Conditions

Device	Flash Density		Erase Time		Units
			Typ.		
XP2-5	1.2M	TAG	1.0		s
		Main Array	3.0		s
XP2-8	2.0M	TAG	1.0		s
		Main Array	4.0		s
XP2-17	3.6M	TAG	1.0		s
		Main Array	5.0		s
XP2-30	6.0M	TAG	2.0		s
		Main Array	7.0		s
XP2-40	8.0M	TAG	2.0		s
		Main Array	9.0		s

FlashBAK Time (from EBR to Flash)

Over Recommended Operating Conditions

Device	EBR Density (Bits)	Time (Typ.)	Units
XP2-5	166K	1.5	s
XP2-8	221K	1.5	s
XP2-17	276K	1.5	s
XP2-30	387K	2.0	s
XP2-40	885K	3.0	s

JTAG Port Timing Specifications

Over Recommended Operating Conditions

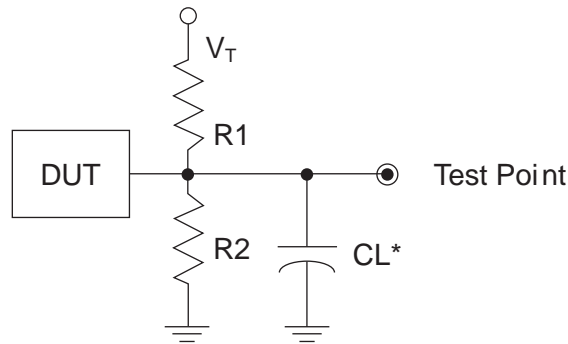
Symbol	Parameter	Min.	Max.	Units
f_{MAX}	TCK Clock Frequency	—	25	MHz
t_{BTCP}	TCK [BSCAN] clock pulse width	40	—	ns
t_{BTCPH}	TCK [BSCAN] clock pulse width high	20	—	ns
t_{BTCPL}	TCK [BSCAN] clock pulse width low	20	—	ns
t_{BTS}	TCK [BSCAN] setup time	8	—	ns
t_{BTH}	TCK [BSCAN] hold time	10	—	ns
t_{BTRF}	TCK [BSCAN] rise/fall time	50	—	mV/ns
t_{BTCO}	TAP controller falling edge of clock to valid output	—	10	ns
$t_{BTCODIS}$	TAP controller falling edge of clock to valid disable	—	10	ns
t_{BTCOEN}	TAP controller falling edge of clock to valid enable	—	10	ns
t_{BTCRS}	BSCAN test capture register setup time	8	—	ns
t_{BTCRH}	BSCAN test capture register hold time	25	—	ns
t_{BUTCO}	BSCAN test update register, falling edge of clock to valid output	—	25	ns
$t_{BTUODIS}$	BSCAN test update register, falling edge of clock to valid disable	—	25	ns
$t_{BTUPOEN}$	BSCAN test update register, falling edge of clock to valid enable	—	25	ns

Timing v. A 0.12

Switching Test Conditions

Figure 3-11 shows the output test load that is used for AC testing. The specific values for resistance, capacitance, voltage, and other test conditions are shown in Table 3-6.

Figure 3-11. Output Test Load, LVTTTL and LVCMOS Standards



*CL Includes Test Fixture and Probe Capacitance

Table 3-6. Test Fixture Required Components, Non-Terminated Interfaces

Test Condition	R ₁	R ₂	C _L	Timing Ref.	V _T
LVTTTL and other LVCMOS settings (L -> H, H -> L)	∞	∞	0pF	LVCMOS 3.3 = 1.5V	—
				LVCMOS 2.5 = V _{CCIO} /2	—
				LVCMOS 1.8 = V _{CCIO} /2	—
				LVCMOS 1.5 = V _{CCIO} /2	—
				LVCMOS 1.2 = V _{CCIO} /2	—
LVCMOS 2.5 I/O (Z -> H)	∞	1MΩ		V _{CCIO} /2	—
LVCMOS 2.5 I/O (Z -> L)	1MΩ	∞		V _{CCIO} /2	V _{CCIO}
LVCMOS 2.5 I/O (H -> Z)	∞	100		V _{OH} - 0.10	—
LVCMOS 2.5 I/O (L -> Z)	100	∞		V _{OL} + 0.10	V _{CCIO}

Note: Output test conditions for all other interfaces are determined by the respective standards.

Signal Descriptions

Signal Name	I/O	Description
General Purpose		
P[Edge] [Row/Column Number*]_[A/B]	I/O	<p>[Edge] indicates the edge of the device on which the pad is located. Valid edge designations are L (Left), B (Bottom), R (Right), T (Top).</p> <p>[Row/Column Number] indicates the PFU row or the column of the device on which the PIC exists. When Edge is T (Top) or B (Bottom), only need to specify Row Number. When Edge is L (Left) or R (Right), only need to specify Column Number.</p> <p>[A/B] indicates the PIO within the PIC to which the pad is connected. Some of these user-programmable pins are shared with special function pins. These pins, when not used as special purpose pins, can be programmed as I/Os for user logic. During configuration the user-programmable I/Os are tri-stated with an internal pull-up resistor enabled. If any pin is not used (or not bonded to a package pin), it is also tri-stated with an internal pull-up resistor enabled after configuration.</p>
GSRN	I	Global RESET signal (active low). Any I/O pin can be GSRN.
NC	—	No connect.
GND	—	Ground. Dedicated pins.
V _{CC}	—	Power supply pins for core logic. Dedicated pins.
V _{CCAUX}	—	Auxiliary power supply pin. This dedicated pin powers all the differential and referenced input buffers.
V _{CCPLL}	—	PLL supply pins. csBGA, PQFP and TQFP packages only.
V _{CCIOx}	—	Dedicated power supply pins for I/O bank x.
V _{REF1_x} , V _{REF2_x}	—	Reference supply pins for I/O bank x. Pre-determined pins in each bank are assigned as V _{REF} inputs. When not used, they may be used as I/O pins.
PLL and Clock Functions (Used as user programmable I/O pins when not in use for PLL or clock pins)		
[LOC][num]_V _{CCPLL}	—	Power supply pin for PLL: LLC, LRC, URC, ULC, num = row from center.
[LOC][num]_GPLL[T, C]_IN_A	I	General Purpose PLL (GPLL) input pads: LLC, LRC, URC, ULC, num = row from center, T = true and C = complement, index A,B,C...at each side.
[LOC][num]_GPLL[T, C]_FB_A	I	Optional feedback GPLL input pads: LLC, LRC, URC, ULC, num = row from center, T = true and C = complement, index A,B,C...at each side.
PCLK[T, C]_[n:0]_[3:0]	I	Primary Clock pads, T = true and C = complement, n per side, indexed by bank and 0,1,2,3 within bank.
[LOC]DQS[num]	I	DQS input pads: T (Top), R (Right), B (Bottom), L (Left), DQS, num = ball function number. Any pad can be configured to be output.
Test and Programming (Dedicated Pins)		
TMS	I	Test Mode Select input, used to control the 1149.1 state machine. Pull-up is enabled during configuration.
TCK	I	Test Clock input pin, used to clock the 1149.1 state machine. No pull-up enabled.
TDI	I	Test Data in pin. Used to load data into device using 1149.1 state machine. After power-up, this TAP port can be activated for configuration by sending appropriate command. (Note: once a configuration port is selected it is locked. Another configuration port cannot be selected until the power-up sequence). Pull-up is enabled during configuration.

Signal Descriptions (Cont.)

Signal Name	I/O	Description
TDO	O	Output pin. Test Data Out pin used to shift data out of a device using 1149.1.
VCCJ	—	Power supply pin for JTAG Test Access Port.
Configuration Pads (Used during sysCONFIG)		
CFG[1:0]	I	Mode pins used to specify configuration mode values latched on rising edge of INITN. During configuration, an internal pull-up is enabled.
INITN ¹	I/O	Open Drain pin. Indicates the FPGA is ready to be configured. During configuration, a pull-up is enabled.
PROGRAMN	I	Initiates configuration sequence when asserted low. This pin always has an active pull-up.
DONE	I/O	Open Drain pin. Indicates that the configuration sequence is complete, and the startup sequence is in progress.
CCLK	I/O	Configuration Clock for configuring an FPGA in sysCONFIG mode.
SISPI ²	I/O	Input data pin in slave SPI mode and Output data pin in Master SPI mode.
SOSPI ²	I/O	Output data pin in slave SPI mode and Input data pin in Master SPI mode.
CSSPIN ²	O	Chip select for external SPI Flash memory in Master SPI mode. This pin has a weak internal pull-up.
CSSPISN	I	Chip select in Slave SPI mode. This pin has a weak internal pull-up.
TOE	I	Test Output Enable tristates all I/O pins when driven low. This pin has a weak internal pull-up, but when not used an external pull-up to V _{CC} is recommended.

1. If not actively driven, the internal pull-up may not be sufficient. An external pull-up resistor of 4.7k to 10k Ω is recommended.
2. When using the device in Master SPI mode, it must be mutually exclusive from JTAG operations (i.e. TCK tied to GND) or the JTAG TCK must be free-running when used in a system JTAG test environment. If Master SPI mode is used in conjunction with a JTAG download cable, the device power cycle is required after the cable is unplugged.

PICs and DDR Data (DQ) Pins Associated with the DDR Strobe (DQS) Pin

PICs Associated with DQS Strobe	PIO Within PIC	DDR Strobe (DQS) and Data (DQ) Pins
For Left and Right Edges of the Device		
P[Edge] [n-4]	A	DQ
	B	DQ
P[Edge] [n-3]	A	DQ
	B	DQ
P[Edge] [n-2]	A	DQ
	B	DQ
P[Edge] [n-1]	A	DQ
	B	DQ
P[Edge] [n]	A	[Edge]DQSn
	B	DQ
P[Edge] [n+1]	A	DQ
	B	DQ
P[Edge] [n+2]	A	DQ
	B	DQ
P[Edge] [n+3]	A	DQ
	B	DQ
For Top and Bottom Edges of the Device		
P[Edge] [n-4]	A	DQ
	B	DQ
P[Edge] [n-3]	A	DQ
	B	DQ
P[Edge] [n-2]	A	DQ
	B	DQ
P[Edge] [n-1]	A	DQ
	B	DQ
P[Edge] [n]	A	[Edge]DQSn
	B	DQ
P[Edge] [n+1]	A	DQ
	B	DQ
P[Edge] [n+2]	A	DQ
	B	DQ
P[Edge] [n+3]	A	DQ
	B	DQ
P[Edge] [n+4]	A	DQ
	B	DQ

Notes:

1. "n" is a row PIC number.
2. The DDR interface is designed for memories that support one DQS strobe up to 16 bits of data for the left and right edges and up to 18 bits of data for the top and bottom edges. In some packages, all the potential DDR data (DQ) pins may not be available. PIC numbering definitions are provided in the "Signal Names" column of the Signal Descriptions table.

Pin Information Summary

Pin Type		XP2-5				XP2-8				XP2-17			XP2-30			XP2-40	
		132 csBGA	144 TQFP	208 PQFP	256 ftBGA	132 csBGA	144 TQFP	208 PQFP	256 ftBGA	208 PQFP	256 ftBGA	484 fpBGA	256 ftBGA	484 fpBGA	672 fpBGA	484 fpBGA	672 fpBGA
Single Ended User I/O		86	100	146	172	86	100	146	201	146	201	358	201	363	472	363	540
Differential Pair User I/O	Normal	35	39	57	66	35	39	57	77	57	77	135	77	137	180	137	204
	Highspeed	8	11	16	20	8	11	16	23	16	23	44	23	44	56	44	66
Configuration	TAP	5	5	5	5	5	5	5	5	5	5	5	5	5	5	5	5
	Muxed	9	9	9	9	9	9	9	9	9	9	9	9	9	9	9	9
	Dedicated	1	1	1	1	1	1	1	1	1	1	1	1	1	1	1	1
Non Configuration	Muxed	5	5	7	7	7	7	9	9	11	11	21	7	11	13	11	13
	Dedicated	1	1	1	1	1	1	1	1	1	1	1	1	1	1	1	1
Vcc		6	4	9	6	6	4	9	6	9	6	16	6	16	20	16	20
Vccaux		4	4	4	4	4	4	4	4	4	4	8	4	8	8	8	8
VCCPLL		2	2	2	-	2	2	2	-	4	-	-	-	-	-	-	-
VCCIO	Bank0	2	2	2	2	2	2	2	2	2	2	4	2	4	4	4	4
	Bank1	1	1	2	2	1	1	2	2	2	2	4	2	4	4	4	4
	Bank2	2	2	2	2	2	2	2	2	2	2	4	2	4	4	4	4
	Bank3	1	1	2	2	1	1	2	2	2	2	4	2	4	4	4	4
	Bank4	1	1	2	2	1	1	2	2	2	2	4	2	4	4	4	4
	Bank5	2	2	2	2	2	2	2	2	2	2	4	2	4	4	4	4
	Bank6	1	1	2	2	1	1	2	2	2	2	4	2	4	4	4	4
	Bank7	2	2	2	2	2	2	2	2	2	2	4	2	4	4	4	4
GND, GND0-GND7		15	15	20	20	15	15	22	20	22	20	56	20	56	64	56	64
NC		-	-	4	31	-	-	2	2	-	2	7	2	2	69	2	1
Single Ended/Differential I/O per Bank	Bank0	18/9	20/10	20/10	26/13	18/9	20/10	20/10	28/14	20/10	28/14	52/26	28/14	52/26	70/35	52/26	70/35
	Bank1	4/2	6/3	18/9	18/9	4/2	6/3	18/9	22/11	18/9	22/11	36/18	22/11	36/18	54/27	36/18	70/35
	Bank2	16/8	18/9	18/9	22/11	16/8	18/9	18/9	26/13	18/9	26/13	46/23	26/13	46/23	56/28	46/23	64/32
	Bank3	4/2	4/2	16/8	20/10	4/2	4/2	16/8	24/12	16/8	24/12	44/22	24/12	46/23	56/28	46/23	66/33
	Bank4	8/4	8/4	18/9	18/9	8/4	8/4	18/9	26/13	18/9	26/13	36/18	26/13	38/19	54/27	38/19	70/35
	Bank5	14/7	18/9	20/10	24/12	14/7	18/9	20/10	24/12	20/10	24/12	52/26	24/12	53/26	70/35	53/26	70/35
	Bank6	6/3	8/4	18/9	22/11	6/3	8/4	18/9	27/13	18/9	27/13	46/23	27/13	46/23	56/28	46/23	66/33
	Bank7	16/8	18/9	18/9	22/11	16/8	18/9	18/9	24/12	18/9	24/12	46/23	24/12	46/23	56/28	46/23	64/32
True LVDS Pairs Bonding Out per Bank	Bank0	0	0	0	0	0	0	0	0	0	0	0	0	0	0	0	0
	Bank1	0	0	0	0	0	0	0	0	0	0	0	0	0	0	0	0
	Bank2	3	4	4	5	3	4	4	6	4	6	11	6	11	14	11	16
	Bank3	1	1	4	5	1	1	4	6	4	6	11	6	11	14	11	17
	Bank4	0	0	0	0	0	0	0	0	0	0	0	0	0	0	0	0
	Bank5	0	0	0	0	0	0	0	0	0	0	0	0	0	0	0	0
	Bank6	1	2	4	5	1	2	4	6	4	6	11	6	11	14	11	17
	Bank7	3	4	4	5	3	4	4	5	4	5	11	5	11	14	11	16
DDR Banks Bonding Out per I/O Bank ¹	Bank0	1	1	1	1	1	1	1	1	1	1	3	1	2	4	2	4
	Bank1	0	0	1	1	0	0	1	1	1	1	2	1	2	3	2	4
	Bank2	1	1	1	1	1	1	1	1	1	1	2	1	3	3	3	4
	Bank3	0	0	1	1	0	0	1	1	1	1	2	1	3	3	3	4
	Bank4	0	0	1	1	0	0	1	1	1	1	2	1	2	3	2	4
	Bank5	1	1	1	1	1	1	1	1	1	1	3	1	2	4	2	4
	Bank6	0	0	1	1	0	0	1	1	1	1	2	1	3	3	3	4
	Bank7	1	1	1	1	1	1	1	1	1	1	2	1	3	3	3	4

Pin Information Summary (Cont.)

Pin Type		XP2-5				XP2-8				XP2-17			XP2-30			XP2-40	
		132 csBGA	144 TQFP	208 PQFP	256 ftBGA	132 csBGA	144 TQFP	208 PQFP	256 ftBGA	208 PQFP	256 ftBGA	484 fpBGA	256 ftBGA	484 fpBGA	672 fpBGA	484 fpBGA	672 fpBGA
PCI capable I/Os Bonding Out per Bank	Bank0	18	20	20	26	18	20	20	28	20	28	52	28	52	70	52	70
	Bank1	4	6	18	18	4	6	18	22	18	22	36	22	36	54	36	70
	Bank2	0	0	0	0	0	0	0	0	0	0	0	0	0	0	0	0
	Bank3	0	0	0	0	0	0	0	0	0	0	0	0	0	0	0	0
	Bank4	8	8	18	18	8	8	18	26	18	26	36	26	38	54	38	70
	Bank5	14	18	20	24	14	18	20	24	20	24	52	24	53	70	53	70
	Bank6	0	0	0	0	0	0	0	0	0	0	0	0	0	0	0	0
	Bank7	0	0	0	0	0	0	0	0	0	0	0	0	0	0	0	0

1. Minimum requirement to implement a fully functional 8-bit wide DDR bus. Available DDR interface consists of at least 12 I/Os (1 DQS + 1 DQSB + 8 DQs + 1 DM + Bank VREF1).

Logic Signal Connections

Package pinout information can be found under “Data Sheets” on the LatticeXP2 product page of the Lattice website at www.latticesemi.com/products/fpga/xp2 and in the Lattice Diamond design software.

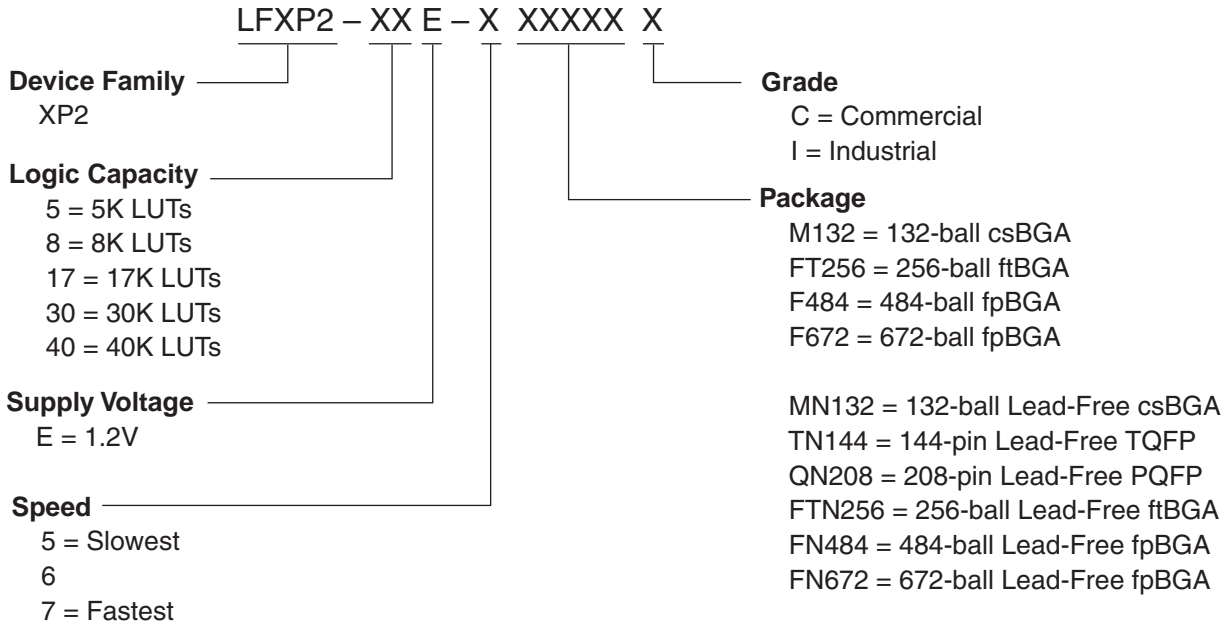
Thermal Management

Thermal management is recommended as part of any sound FPGA design methodology. To assess the thermal characteristics of a system, Lattice specifies a maximum allowable junction temperature in all device data sheets. Designers must complete a thermal analysis of their specific design to ensure that the device and package do not exceed the junction temperature limits. Refer to the Lattice [Thermal Management](#) document to find the device/package specific thermal values.

For Further Information

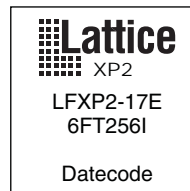
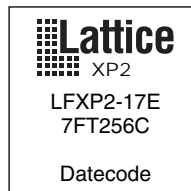
- TN1139, [Power Estimation and Management for LatticeXP2 Devices](#)
- Power Calculator tool is included with the Lattice Diamond design tool or as a standalone download from www.latticesemi.com/products/designsoftware

Part Number Description



Ordering Information

The LatticeXP2 devices are marked with a single temperature grade, either Commercial or Industrial, as shown below.



Lead-Free Packaging**Commercial**

Part Number	Voltage	Grade	Package	Pins	Temp.	LUTs (k)
LFXP2-5E-5MN132C	1.2V	-5	Lead-Free csBGA	132	COM	5
LFXP2-5E-6MN132C	1.2V	-6	Lead-Free csBGA	132	COM	5
LFXP2-5E-7MN132C	1.2V	-7	Lead-Free csBGA	132	COM	5
LFXP2-5E-5TN144C	1.2V	-5	Lead-Free TQFP	144	COM	5
LFXP2-5E-6TN144C	1.2V	-6	Lead-Free TQFP	144	COM	5
LFXP2-5E-7TN144C	1.2V	-7	Lead-Free TQFP	144	COM	5
LFXP2-5E-5QN208C	1.2V	-5	Lead-Free PQFP	208	COM	5
LFXP2-5E-6QN208C	1.2V	-6	Lead-Free PQFP	208	COM	5
LFXP2-5E-7QN208C	1.2V	-7	Lead-Free PQFP	208	COM	5
LFXP2-5E-5FTN256C	1.2V	-5	Lead-Free ftBGA	256	COM	5
LFXP2-5E-6FTN256C	1.2V	-6	Lead-Free ftBGA	256	COM	5
LFXP2-5E-7FTN256C	1.2V	-7	Lead-Free ftBGA	256	COM	5

Part Number	Voltage	Grade	Package	Pins	Temp.	LUTs (k)
LFXP2-8E-5MN132C	1.2V	-5	Lead-Free csBGA	132	COM	8
LFXP2-8E-6MN132C	1.2V	-6	Lead-Free csBGA	132	COM	8
LFXP2-8E-7MN132C	1.2V	-7	Lead-Free csBGA	132	COM	8
LFXP2-8E-5TN144C	1.2V	-5	Lead-Free TQFP	144	COM	8
LFXP2-8E-6TN144C	1.2V	-6	Lead-Free TQFP	144	COM	8
LFXP2-8E-7TN144C	1.2V	-7	Lead-Free TQFP	144	COM	8
LFXP2-8E-5QN208C	1.2V	-5	Lead-Free PQFP	208	COM	8
LFXP2-8E-6QN208C	1.2V	-6	Lead-Free PQFP	208	COM	8
LFXP2-8E-7QN208C	1.2V	-7	Lead-Free PQFP	208	COM	8
LFXP2-8E-5FTN256C	1.2V	-5	Lead-Free ftBGA	256	COM	8
LFXP2-8E-6FTN256C	1.2V	-6	Lead-Free ftBGA	256	COM	8
LFXP2-8E-7FTN256C	1.2V	-7	Lead-Free ftBGA	256	COM	8

Part Number	Voltage	Grade	Package	Pins	Temp.	LUTs (k)
LFXP2-17E-5QN208C	1.2V	-5	Lead-Free PQFP	208	COM	17
LFXP2-17E-6QN208C	1.2V	-6	Lead-Free PQFP	208	COM	17
LFXP2-17E-7QN208C	1.2V	-7	Lead-Free PQFP	208	COM	17
LFXP2-17E-5FTN256C	1.2V	-5	Lead-Free ftBGA	256	COM	17
LFXP2-17E-6FTN256C	1.2V	-6	Lead-Free ftBGA	256	COM	17
LFXP2-17E-7FTN256C	1.2V	-7	Lead-Free ftBGA	256	COM	17
LFXP2-17E-5FN484C	1.2V	-5	Lead-Free fpBGA	484	COM	17
LFXP2-17E-6FN484C	1.2V	-6	Lead-Free fpBGA	484	COM	17
LFXP2-17E-7FN484C	1.2V	-7	Lead-Free fpBGA	484	COM	17

Part Number	Voltage	Grade	Package	Pins	Temp.	LUTs (k)
LFXP2-30E-5FTN256C	1.2V	-5	Lead-Free ftBGA	256	COM	30
LFXP2-30E-6FTN256C	1.2V	-6	Lead-Free ftBGA	256	COM	30
LFXP2-30E-7FTN256C	1.2V	-7	Lead-Free ftBGA	256	COM	30
LFXP2-30E-5FN484C	1.2V	-5	Lead-Free fpBGA	484	COM	30
LFXP2-30E-6FN484C	1.2V	-6	Lead-Free fpBGA	484	COM	30
LFXP2-30E-7FN484C	1.2V	-7	Lead-Free fpBGA	484	COM	30
LFXP2-30E-5FN672C	1.2V	-5	Lead-Free fpBGA	672	COM	30
LFXP2-30E-6FN672C	1.2V	-6	Lead-Free fpBGA	672	COM	30
LFXP2-30E-7FN672C	1.2V	-7	Lead-Free fpBGA	672	COM	30

Part Number	Voltage	Grade	Package	Pins	Temp.	LUTs (k)
LFXP2-40E-5FN484C	1.2V	-5	Lead-Free fpBGA	484	COM	40
LFXP2-40E-6FN484C	1.2V	-6	Lead-Free fpBGA	484	COM	40
LFXP2-40E-7FN484C	1.2V	-7	Lead-Free fpBGA	484	COM	40
LFXP2-40E-5FN672C	1.2V	-5	Lead-Free fpBGA	672	COM	40
LFXP2-40E-6FN672C	1.2V	-6	Lead-Free fpBGA	672	COM	40
LFXP2-40E-7FN672C	1.2V	-7	Lead-Free fpBGA	672	COM	40

Industrial

Part Number	Voltage	Grade	Package	Pins	Temp.	LUTs (k)
LFXP2-5E-5MN132I	1.2V	-5	Lead-Free csBGA	132	IND	5
LFXP2-5E-6MN132I	1.2V	-6	Lead-Free csBGA	132	IND	5
LFXP2-5E-5TN144I	1.2V	-5	Lead-Free TQFP	144	IND	5
LFXP2-5E-6TN144I	1.2V	-6	Lead-Free TQFP	144	IND	5
LFXP2-5E-5QN208I	1.2V	-5	Lead-Free PQFP	208	IND	5
LFXP2-5E-6QN208I	1.2V	-6	Lead-Free PQFP	208	IND	5
LFXP2-5E-5FTN256I	1.2V	-5	Lead-Free ftBGA	256	IND	5
LFXP2-5E-6FTN256I	1.2V	-6	Lead-Free ftBGA	256	IND	5

Part Number	Voltage	Grade	Package	Pins	Temp.	LUTs (k)
LFXP2-8E-5MN132I	1.2V	-5	Lead-Free csBGA	132	IND	8
LFXP2-8E-6MN132I	1.2V	-6	Lead-Free csBGA	132	IND	8
LFXP2-8E-5TN144I	1.2V	-5	Lead-Free TQFP	144	IND	8
LFXP2-8E-6TN144I	1.2V	-6	Lead-Free TQFP	144	IND	8
LFXP2-8E-5QN208I	1.2V	-5	Lead-Free PQFP	208	IND	8
LFXP2-8E-6QN208I	1.2V	-6	Lead-Free PQFP	208	IND	8
LFXP2-8E-5FTN256I	1.2V	-5	Lead-Free ftBGA	256	IND	8
LFXP2-8E-6FTN256I	1.2V	-6	Lead-Free ftBGA	256	IND	8

Part Number	Voltage	Grade	Package	Pins	Temp.	LUTs (k)
LFXP2-17E-5QN208I	1.2V	-5	Lead-Free PQFP	208	IND	17
LFXP2-17E-6QN208I	1.2V	-6	Lead-Free PQFP	208	IND	17
LFXP2-17E-5FTN256I	1.2V	-5	Lead-Free ftBGA	256	IND	17
LFXP2-17E-6FTN256I	1.2V	-6	Lead-Free ftBGA	256	IND	17
LFXP2-17E-5FN484I	1.2V	-5	Lead-Free fpBGA	484	IND	17
LFXP2-17E-6FN484I	1.2V	-6	Lead-Free fpBGA	484	IND	17

Part Number	Voltage	Grade	Package	Pins	Temp.	LUTs (k)
LFXP2-30E-5FTN256I	1.2V	-5	Lead-Free ftBGA	256	IND	30
LFXP2-30E-6FTN256I	1.2V	-6	Lead-Free ftBGA	256	IND	30
LFXP2-30E-5FN484I	1.2V	-5	Lead-Free fpBGA	484	IND	30
LFXP2-30E-6FN484I	1.2V	-6	Lead-Free fpBGA	484	IND	30
LFXP2-30E-5FN672I	1.2V	-5	Lead-Free fpBGA	672	IND	30
LFXP2-30E-6FN672I	1.2V	-6	Lead-Free fpBGA	672	IND	30

Part Number	Voltage	Grade	Package	Pins	Temp.	LUTs (k)
LFXP2-40E-5FN484I	1.2V	-5	Lead-Free fpBGA	484	IND	40
LFXP2-40E-6FN484I	1.2V	-6	Lead-Free fpBGA	484	IND	40
LFXP2-40E-5FN672I	1.2V	-5	Lead-Free fpBGA	672	IND	40
LFXP2-40E-6FN672I	1.2V	-6	Lead-Free fpBGA	672	IND	40

Conventional Packaging**Commercial**

Part Number	Voltage	Grade	Package	Pins	Temp.	LUTs (k)
LFXP2-5E-5M132C	1.2V	-5	csBGA	132	COM	5
LFXP2-5E-6M132C	1.2V	-6	csBGA	132	COM	5
LFXP2-5E-7M132C	1.2V	-7	csBGA	132	COM	5
LFXP2-5E-5FT256C	1.2V	-5	ftBGA	256	COM	5
LFXP2-5E-6FT256C	1.2V	-6	ftBGA	256	COM	5
LFXP2-5E-7FT256C	1.2V	-7	ftBGA	256	COM	5

Part Number	Voltage	Grade	Package	Pins	Temp.	LUTs (k)
LFXP2-8E-5M132C	1.2V	-5	csBGA	132	COM	8
LFXP2-8E-6M132C	1.2V	-6	csBGA	132	COM	8
LFXP2-8E-7M132C	1.2V	-7	csBGA	132	COM	8
LFXP2-8E-5FT256C	1.2V	-5	ftBGA	256	COM	8
LFXP2-8E-6FT256C	1.2V	-6	ftBGA	256	COM	8
LFXP2-8E-7FT256C	1.2V	-7	ftBGA	256	COM	8

Part Number	Voltage	Grade	Package	Pins	Temp.	LUTs (k)
LFXP2-17E-5FT256C	1.2V	-5	ftBGA	256	COM	17
LFXP2-17E-6FT256C	1.2V	-6	ftBGA	256	COM	17
LFXP2-17E-7FT256C	1.2V	-7	ftBGA	256	COM	17
LFXP2-17E-5F484C	1.2V	-5	fpBGA	484	COM	17
LFXP2-17E-6F484C	1.2V	-6	fpBGA	484	COM	17
LFXP2-17E-7F484C	1.2V	-7	fpBGA	484	COM	17

Part Number	Voltage	Grade	Package	Pins	Temp.	LUTs (k)
LFXP2-30E-5FT256C	1.2V	-5	ftBGA	256	COM	30
LFXP2-30E-6FT256C	1.2V	-6	ftBGA	256	COM	30
LFXP2-30E-7FT256C	1.2V	-7	ftBGA	256	COM	30
LFXP2-30E-5F484C	1.2V	-5	fpBGA	484	COM	30
LFXP2-30E-6F484C	1.2V	-6	fpBGA	484	COM	30
LFXP2-30E-7F484C	1.2V	-7	fpBGA	484	COM	30
LFXP2-30E-5F672C	1.2V	-5	fpBGA	672	COM	30
LFXP2-30E-6F672C	1.2V	-6	fpBGA	672	COM	30
LFXP2-30E-7F672C	1.2V	-7	fpBGA	672	COM	30

Part Number	Voltage	Grade	Package	Pins	Temp.	LUTs (k)
LFXP2-40E-5F484C	1.2V	-5	fpBGA	484	COM	40
LFXP2-40E-6F484C	1.2V	-6	fpBGA	484	COM	40
LFXP2-40E-7F484C	1.2V	-7	fpBGA	484	COM	40
LFXP2-40E-5F672C	1.2V	-5	fpBGA	672	COM	40
LFXP2-40E-6F672C	1.2V	-6	fpBGA	672	COM	40
LFXP2-40E-7F672C	1.2V	-7	fpBGA	672	COM	40

Industrial

Part Number	Voltage	Grade	Package	Pins	Temp.	LUTs (k)
LFXP2-5E-5M132I	1.2V	-5	csBGA	132	IND	5
LFXP2-5E-6M132I	1.2V	-6	csBGA	132	IND	5
LFXP2-5E-6FT256I	1.2V	-6	ftBGA	256	IND	5

Part Number	Voltage	Grade	Package	Pins	Temp.	LUTs (k)
LFXP2-8E-5M132I	1.2V	-5	csBGA	132	IND	8
LFXP2-8E-6M132I	1.2V	-6	csBGA	132	IND	8
LFXP2-5E-5FT256I	1.2V	-5	ftBGA	256	IND	5
LFXP2-8E-5FT256I	1.2V	-5	ftBGA	256	IND	8
LFXP2-8E-6FT256I	1.2V	-6	ftBGA	256	IND	8

Part Number	Voltage	Grade	Package	Pins	Temp.	LUTs (k)
LFXP2-17E-5FT256I	1.2V	-5	ftBGA	256	IND	17
LFXP2-17E-6FT256I	1.2V	-6	ftBGA	256	IND	17
LFXP2-17E-5F484I	1.2V	-5	fpBGA	484	IND	17
LFXP2-17E-6F484I	1.2V	-6	fpBGA	484	IND	17

Part Number	Voltage	Grade	Package	Pins	Temp.	LUTs (k)
LFXP2-30E-5FT256I	1.2V	-5	ftBGA	256	IND	30
LFXP2-30E-6FT256I	1.2V	-6	ftBGA	256	IND	30
LFXP2-30E-5F484I	1.2V	-5	fpBGA	484	IND	30
LFXP2-30E-6F484I	1.2V	-6	fpBGA	484	IND	30
LFXP2-30E-5F672I	1.2V	-5	fpBGA	672	IND	30
LFXP2-30E-6F672I	1.2V	-6	fpBGA	672	IND	30

Part Number	Voltage	Grade	Package	Pins	Temp.	LUTs (k)
LFXP2-40E-5F484I	1.2V	-5	fpBGA	484	IND	40
LFXP2-40E-6F484I	1.2V	-6	fpBGA	484	IND	40
LFXP2-40E-5F672I	1.2V	-5	fpBGA	672	IND	40
LFXP2-40E-6F672I	1.2V	-6	fpBGA	672	IND	40

For Further Information

A variety of technical notes for the LatticeXP2 FPGA family are available on the Lattice Semiconductor web site at www.latticesemi.com.

- TN1136, [LatticeXP2 sysIO Usage Guide](#)
- TN1137, [LatticeXP2 Memory Usage Guide](#)
- TN1138, [LatticeXP2 High Speed I/O Interface](#)
- TN1126, [LatticeXP2 sysCLOCK PLL Design and Usage Guide](#)
- TN1139, [Power Estimation and Management for LatticeXP2 Devices](#)
- TN1140, [LatticeXP2 sysDSP Usage Guide](#)
- TN1141, [LatticeXP2 sysCONFIG Usage Guide](#)
- TN1142, [LatticeXP2 Configuration Encryption and Security Usage Guide](#)
- TN1087, [Minimizing System Interruption During Configuration Using TransFR Technology](#)
- TN1220, [LatticeXP2 Dual Boot Feature](#)
- TN1130, [LatticeXP2 Soft Error Detection \(SED\) Usage Guide](#)
- TN1143, [LatticeXP2 Hardware Checklist](#)

For further information on interface standards refer to the following websites:

- JEDEC Standards (LVTTTL, LVCMOS, SSTL, HSTL): www.jedec.org
- PCI: www.pcisig.com

Revision History

Date	Version	Section	Change Summary			
May 2007	01.1	—	Initial release.			
September 2007	01.2	DC and Switching Characteristics	Added JTAG Port Timing Waveforms diagram. Updated sysCLOCK PLL Timing table.			
		Pinout Information	Added Thermal Management text section.			
February 2008	01.3	Architecture	Added LVC MOS33D to Supported Output Standards table. Clarified: "This Flash can be programmed through either the JTAG or Slave SPI ports of the device. The SRAM configuration space can also be infinitely reconfigured through the JTAG and Master SPI ports." Added External Slave SPI Port to Serial TAG Memory section. Updated Serial TAG Memory diagram.			
			DC and Switching Characteristics	Updated Flash Programming Specifications table. Added "8W" specification to Hot Socketing Specifications table. Updated Timing Tables Clarifications for IIH in DC Electrical Characteristics table. Added LVC MOS33D section Updated DOA and DOA (Regs) to EBR Timing diagrams. Removed Master Clock Frequency and Duty Cycle sections from the LatticeXP2 sysCONFIG Port Timing Specifications table. These are listed on the On-chip Oscillator and Configuration Master Clock Characteristics table. Changed CSSPIN to CSSPISN in description of t_{SCS} , t_{SCSS} , and t_{SCSH} parameters. Removed t_{SOE} parameter. Clarified On-chip Oscillator documentation Added Switching Test Conditions		
				Pinout Information	Added "True LVDS Pairs Bonding Out per Bank," "DDR Banks Bonding Out per I/O Bank," and "PCI capable I/Os Bonding Out per Bank" to Pin Information Summary in place of previous blank table "PCI and DDR Capabilities of the Device-Package Combinations" Removed pinout listing. This information is available on the LatticeXP2 product web pages	
		Ordering Information			Added XP2-17 "8W" and all other family OPNs.	
		April 2008		01.4	DC and Switching Characteristics	Updated Absolute Maximum Ratings footnotes. Updated Recommended Operating Conditions Table footnotes. Updated Supply Current (Standby) Table Updated Initialization Supply Current Table Updated Programming and Erase Flash Supply Current Table Updated Register to Register Performance Table Updated LatticeXP2 External Switching Characteristics Table Updated LatticeXP2 Internal Switching Characteristics Table Updated sysCLOCK PLL Timing Table

Date	Version	Section	Change Summary
April 2008 (cont.)	01.4 (cont.)	DC and Switching Characteristics (cont.)	Updated Flash Download Time (From On-Chip Flash to SRAM) Table
			Updated Flash Program Time Table
			Updated Flash Erase Time Table
			Updated FlashBAK (from EBR to Flash) Table
		Pinout Information	Updated Signal Descriptions Table
June 2008	01.5	Architecture	Removed Read-Before-Write sysMEM EBR mode. Clarification of the operation of the secondary clock regions.
		DC and Switching Characteristics	Removed Read-Before-Write sysMEM EBR mode.
		Pinout Information	Updated DDR Banks Bonding Out per I/O Bank section of Pin Information Summary Table.
August 2008	01.6	—	Data sheet status changed from preliminary to final.
		Architecture	Clarification of the operation of the secondary clock regions.
		DC and Switching Characteristics	Removed "8W" specification from Hot Socketing Specifications table.
			Removed "8W" footnote from DC Electrical Characteristics table. Updated Register-to-Register Performance table.
		Ordering Information	Removed "8W" option from Part Number Description. Removed XP2-17 "8W" OPNs.
April 2011	01.7	DC and Switching Characteristics	Recommended Operating Conditions table, added footnote 5.
			On-Chip Flash Memory Specifications table, added footnote 1.
			BLVDS DC Conditions, corrected column title to be Z0 = 90 ohms.
			sysCONFIG Port Timing Specifications table, added footnote 1 for t_{DINIT} .
January 2012	01.8	Multiple	Added support for Lattice Diamond design software.
		Architecture	Corrected information regarding SED support.
		DC and Switching Characteristics	Added reference to ESD Performance Qualification Summary information.



Section II. LatticeXP2 Family Technical Notes

Introduction

The LatticeXP2™ sysIO™ buffers give the designer the ability to easily interface with other devices using advanced system I/O standards. This technical note describes the sysIO standards available and how they can be implemented using Lattice’s ispLEVER® design software.

sysIO Buffer Overview

The LatticeXP2 sysIO interface contains multiple Programmable I/O Cells (PIC) blocks. Each PIC contains two Programmable I/Os (PIO), PIOA and PIOB, connected to their respective sysIO Buffers. Two adjacent PIOs can be joined to provide a differential I/O pair (labeled as “T” and “C”).

Each Programmable I/O (PIO) includes a sysIO Buffer and I/O Logic (IOLOGIC). The LatticeXP2 sysIO buffers supports a variety of single-ended and differential signaling standards. The sysIO buffer also supports the DQS strobe signal that is required for interfacing with the DDR memory. One of every 16/18 PIOs in the LatticeXP2 contains a delay element to facilitate the generation of DQS signals. The DQS signal from the bus is used to strobe the DDR data from the memory into input register blocks. For more information on the architecture of the sysIO buffer please refer to the [LatticeXP2 Family Data Sheet](#).

The IOLOGIC includes input, output and tristate registers that implement both single data rate (SDR) and double data rate (DDR) applications along with the necessary clock and data selection logic. Programmable delay lines and dedicated logic within the IOLOGIC are used to provide the required shift to incoming clock and data signals and the delay required by DQS inputs in DDR memory. The DDR implementation in the IOLOGIC and the DDR memory interface support are discussed in more detail in TN1138, [LatticeXP2 High Speed I/O Interface](#).

Supported sysIO Standards

The LatticeXP2 sysIO buffer supports both single-ended and differential standards. Single-ended standards can be further subdivided into internally ratioed standard such as LVCMOS, LVTTTL and PCI; and externally referenced standards such as HSTL and SSTL. The buffers support the LVTTTL, LVCMOS 1.2, 1.5, 1.8, 2.5 and 3.3V standards. In the LVCMOS and LVTTTL modes, the buffer has individually configurable options for drive strength, bus maintenance (weak pull-up, weak pull-down, or a bus-keeper latch). Other single-ended standards supported include SSTL and HSTL. Differential standards supported include MLVDS, LVDS, RSDS, BLVDS, LVPECL, differential SSTL and differential HSTL. Tables 1 and 2 list the sysIO standards supported in LatticeXP2 devices.

Table 8-1. Supported Input Standards

Input Standard	V _{REF} (Nom.)	V _{CCIO} ¹ (Nom.)
Single Ended Interfaces		
LVTTTL	—	—
LVCMOS33	—	—
LVCMOS25	—	—
LVCMOS18	—	1.8
LVCMOS15	—	1.5
LVCMOS12	—	—
PCI 33	—	3.3
HSTL18 Class I, II	0.9	—
HSTL15 Class I	0.75	—
SSTL3 Class I, II	1.5	—

© 2010 Lattice Semiconductor Corp. All Lattice trademarks, registered trademarks, patents, and disclaimers are as listed at www.latticesemi.com/legal. All other brand or product names are trademarks or registered trademarks of their respective holders. The specifications and information herein are subject to change without notice.

Table 8-1. Supported Input Standards (Continued)

Input Standard	V _{REF} (Nom.)	V _{CCIO} ¹ (Nom.)
SSTL2 Class I, II	1.25	—
SSTL18 Class I, II	0.9	—
Differential Interfaces		
Differential SSTL18 Class I, II	—	—
Differential SSTL2 Class I, II	—	—
Differential SSTL3 Class I, II	—	—
Differential HSTL15 Class I	—	—
Differential HSTL18 Class I, II	—	—
LVDS, MLVDS, LVPECL, BLVDS, RSDS	—	—

¹ When not specified, V_{CCIO} can be set anywhere in the valid operating range.

Table 8-2. Supported Output Standards

Output Standard	Drive	V _{CCIO} (Nom.)
Single-ended Interfaces		
LVTTTL	4mA, 8mA, 12mA, 16mA, 20mA	3.3
LVTTTL, Open Drain	4mA, 8mA, 12mA, 16mA, 20mA	—
LVC MOS33	4mA, 8mA, 12mA, 16mA, 20mA	3.3
LVC MOS25	4mA, 8mA, 12mA, 16mA, 20mA	2.5
LVC MOS18	4mA, 8mA, 12mA, 16mA	1.8
LVC MOS15	4mA, 8mA	1.5
LVC MOS12	2mA, 6mA	1.2
LVC MOS33, Open Drain	4mA, 8mA, 12mA, 16mA, 20mA	—
LVC MOS25, Open Drain	4mA, 8mA, 12mA, 16mA, 20mA	—
LVC MOS18, Open Drain	4mA, 8mA, 12mA, 16mA	—
LVC MOS15, Open Drain	4mA, 8mA	—
LVC MOS12, Open Drain	2mA, 6mA	—
PCI33 ²	N/A	3.3
HSTL18 Class I	8mA, 12mA	1.8
HSTL18 Class II	N/A	1.8
HSTL15 Class I	4mA, 8mA	1.5
SSTL3 Class I, II	N/A	3.3
SSTL2 Class I	8mA, 12mA	2.5
SSTL2 Class II	16mA, 20mA	2.5
SSTL18 Class I	N/A	1.8
SSTL18 Class II	8mA, 12mA	1.8
Differential Interfaces		
Differential SSTL3, Class I, II	N/A	3.3
Differential SSTL2, Class I	8mA, 12mA	2.5
Differential SSTL2, Class II	16mA, 20mA	2.5
Differential SSTL18, Class I	N/A	1.8
Differential SSTL18, Class II	8mA, 12mA	1.8
Differential HSTL18, Class I	8mA, 12mA	1.8
Differential HSTL18, Class II	N/A	1.8
Differential HSTL15, Class I	4mA, 8mA	1.5

Table 8-2. Supported Output Standards (Continued)

Output Standard	Drive	V _{CCIO} (Nom.)
LVDS	N/A	2.5
MLVDS ¹	N/A	2.5
BLVDS ¹	N/A	2.5
LVPECL ¹	N/A	3.3
RSDS ¹	N/A	2.5

- 1. Emulated with external resistors.
- 2. PCI33 is PCIX compatible.

sysIO Banking Scheme

LatticeXP2 devices have eight general purpose programmable sysIO banks. Each of the eight general purpose sysIO banks has a V_{CCIO} supply voltage, and two reference voltages, V_{REF1} and V_{REF2}. Figure 8-1 shows the eight general purpose banks.

On the top and bottom banks, the sysIO buffer pair consists of two single-ended output drivers and two sets of single-ended input buffers (both ratioed and referenced). The left and right sysIO buffer pair consists of two single-ended output drivers and two sets of single-ended input buffers (both ratioed and referenced). The referenced input buffer can also be configured as a differential input. True LVDS support is available on only 50% of the left and right I/Os (starting with the topmost pairs). There are no LVDS on the top and bottom I/Os. In 50% of the pairs there is also one differential output driver. The two pads in the pair are described as “true” and “comp”, where the true pad is associated with the positive side of the differential input buffer and the comp (complementary) pad is associated with the negative side of the differential input buffer.

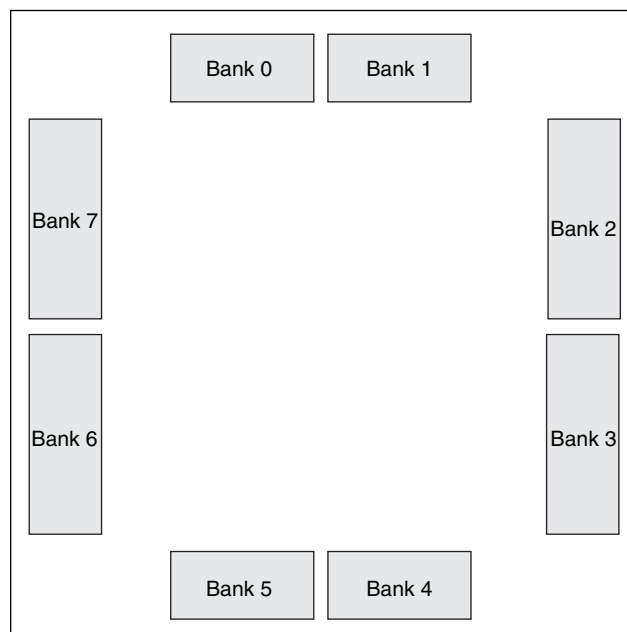
SPI Flash Interface

The SPI pins (master/slave) are multiplexed with the I/Os in Bank 7. The two dedicated pins CFG[0] and TOE are powered by V_{CC} and reside between Banks 6 and 7.

JTAG Interface

The JTAG pins are located between Banks 2 and 3 and are powered by V_{CCJ}.

Figure 8-1. LatticeXP2 sysIO Banking



V_{CCIO} (1.2V/1.5V/1.8V/2.5V/3.3V)

There are a total of eight V_{CCIO} supplies, V_{CCIO0} - V_{CCIO7} . Each bank has a separate V_{CCIO} supply that powers the single-ended output drivers and the ratioed input buffers such as LVTTTL, LVCMOS, and PCI. LVTTTL, LVCMOS3.3, LVCMOS2.5 and LVCMOS1.2 also have fixed threshold options allowing them to be placed in any bank. The V_{CCIO} voltage applied to the bank determines the ratioed input standards that can be supported in that bank. It is also used to power the differential output drivers.

V_{CCAUX} (3.3V)

In addition to the bank V_{CCIO} supplies, devices have a V_{CC} core logic power supply and a V_{CCAUX} auxiliary supply that powers the differential and referenced input buffers. V_{CCAUX} is used to supply I/O reference voltage requiring 3.3V to satisfy the common-mode range of the drivers and input buffers.

V_{CCJ} (1.2V/1.5V/1.8V/2.5V/3.3V)

The JTAG pins have a separate V_{CCJ} power supply that is independent of the bank V_{CCIO} supplies. V_{CCJ} determines the electrical characteristics of the LVCMOS JTAG pins, both the output high level and the input threshold.

Table 8-3 shows a summary of all the required power supplies.

Table 8-3. Power Supplies

Power Supply	Description	Value ¹
V_{CC}	Core Power Supply	1.2V
V_{CCIO}^2	Power Supply for the I/O Banks	1.2V/1.5V/1.8V/2.5V/3.3V
V_{CCAUX}	Auxiliary Power Supply	3.3V
V_{CCJ}^2	Power Supply for JTAG Pins	1.2V/1.5V/1.8V/2.5V/3.3V

1. Refer to the [LatticeXP2 Family Data Sheet](#) for recommended min. and max. values.

2. If V_{CCIO} or V_{CCJ} is set to 3.3V, they MUST be connected to the same power supply as V_{CCAUX} .

Input Reference Voltage (V_{REF1} , V_{REF2})

Each bank can support up to two separate V_{REF} input voltages, V_{REF1} and V_{REF2} , that are used to set the threshold for the referenced input buffers. The locations of these V_{REF} pins are pre-determined within the bank. These pins can be used as regular I/Os if the bank does not require a V_{REF} voltage.

V_{REF1} for DDR Memory Interface

When interfacing to DDR memory, the V_{REF1} input must be used as the reference voltage for the DQS and DQ input from the memory. A voltage divider between V_{REF1} and GND is used to generate an on-chip reference voltage that is used by the DQS transition detector circuit. This voltage divider is only present on V_{REF1} it is not available on V_{REF2} . For more information on the DQS transition detect logic and its implementation, please refer to Lattice technical note number TN1138, [LatticeXP2 High Speed I/O Interface](#). For DDR1 memory interfaces, the V_{REF1} should be connected to 1.25V. Therefore, only SSTL25_II signaling is allowed. For DDR2 memory interfaces this should be connected to 0.9V, and only SSTL18_II signaling is allowed.

Mixed Voltage Support in a Bank

The LatticeXP2 sysIO buffer is connected to three parallel ratioed input buffers. These three parallel buffers are connected to V_{CCIO} , V_{CCAUX} and V_{CC} , giving support for thresholds that track with V_{CCIO} as well as fixed thresholds for 3.3V (V_{CCAUX}) and 1.2V (V_{CC}) inputs. This allows the input threshold for ratioed buffers to be assigned on a pin-by-pin basis rather than tracking with V_{CCIO} . This option is available for all 1.2V, 2.5V and 3.3V ratioed inputs and is independent of the bank V_{CCIO} voltage. For example, if the bank V_{CCIO} is 1.8V, it is possible to have 1.2V and 3.3V ratioed input buffers with fixed thresholds, as well as 2.5V ratioed inputs with tracking thresholds.

Prior to device configuration, the ratioed input thresholds always tracks the bank V_{CCIO} . This option only takes effect after configuration. Output standards within a bank are always set by V_{CCIO} . Table 8-4 shows the sysIO standards that can be mixed in the same bank.

Table 8-4. Mixed Voltage Support

V_{CCIO}	Input sysIO Standards					Output sysIO Standards				
	1.2V	1.5V	1.8V	2.5V	3.3V	1.2V	1.5V	1.8V	2.5V	3.3V
1.2V	Yes			Yes	Yes	Yes				
1.5V	Yes	Yes		Yes	Yes		Yes			
1.8V	Yes		Yes	Yes	Yes			Yes		
2.5V	Yes			Yes	Yes				Yes	
3.3V	Yes			Yes	Yes					Yes

sysIO Standards Supported by Bank

Table 8-5. I/O Standards Supported by Bank

Description	Top Side Banks 0-1	Right Side Banks 2-3	Bottom Side Banks 4-5	Left Side Banks 6-7
I/O Buffers	Single-ended	Single-ended and Differential	Single-ended	Single-ended and Differential
Output Standards Supported	LVTTTL LVC MOS33 LVC MOS25 LVC MOS18 LVC MOS15 LVC MOS12 SSTL18 Class I, II SSTL25 Class I, II SSTL33 Class I, II HSTL15 Class I HSTL18_I, II SSTL18D Class I, II SSTL25D Class I, II SSTL33D Class I, II HSTL15D Class I HSTL18D Class I, II MLVDS LVDS25E ¹ LVPECL ¹ BLVDS ¹ RSDS ¹	LVTTTL LVC MOS33 LVC MOS25 LVC MOS18 LVC MOS15 LVC MOS12 SSTL18 Class I, II SSTL25 Class I, II SSTL33 Class I, II HSTL15 Class I HSTL18 Class I, II SSTL18D Class I, II SSTL25D Class I, II SSTL33D Class I, II HSTL15D Class I HSTL18D Class I, II MLVDS LVDS LVDS25E ¹ LVPECL ¹ BLVDS ¹ RSDS ¹	LVTTTL LVC MOS33 LVC MOS25 LVC MOS18 LVC MOS15 LVC MOS12 SSTL18 Class I, II SSTL2 Class I, II SSTL3 Class I, II HSTL15 Class I HSTL18 Class I, II SSTL18D Class I, II SSTL25D Class I, II, SSTL33D Class I, II HSTL15D Class I HSTL18D Class I, II MLVDS LVDS25E ¹ LVPECL ¹ BLVDS ¹ RSDS ¹	LVTTTL LVC MOS33 LVC MOS25 LVC MOS18 LVC MOS15 LVC MOS12 SSTL18 Class I SSTL2 Class I, II SSTL3 Class I, II HSTL15 Class I, III HSTL18 Class I, II, III SSTL18D Class I, SSTL25D Class I, II, SSTL33D_I, II HSTL15D Class I HSTL18D Class I, II MLVDS LVDS LVDS25E ¹ LVPECL ¹ BLVDS ¹ RSDS ¹
Inputs	All Single-ended, Differential	All Single-ended, Differential	All Single-ended, Differential	All Single-ended, Differential
Clock Inputs	All Single-ended, Differential	All Single-ended, Differential	All Single-ended, Differential	All Single-ended, Differential
PCI Support	PCI33 with clamp	PCI33 without clamp	PCI33 with clamp	PCI33 without clamp
LVDS Output Buffers		LVDS (3.5mA) Buffers ²		LVDS (3.5mA) Buffers ²

1. These differential standards are implemented by using a complementary LVC MOS driver with external resistor pack.
 2. Available only on 50% of the I/Os in the bank.

LVCMOS Buffer Configurations

All LVCMOS buffer have programmable pull, programmable drive and programmable slew configurations that can be set in the software.

Bus Maintenance Circuit

Each pad has a weak pull-up, weak pull-down and weak buskeeper capability. The pull-up and pull-down settings offer a fixed characteristic, which is useful in creating wired logic such as wired ORs. However, current can be slightly higher than other options, depending on the signal state. The bus-keeper option latches the signal in the last driven state, holding it at a valid level with minimal power dissipation. Users can also choose to turn off the bus maintenance circuitry, minimizing power dissipation and input leakage. Note that in this case, it is important to ensure that inputs are driven to a known state to avoid unnecessary power dissipation in the input buffer. The internal weak pull-up is enabled on all unused pins.

Programmable Drive

Each LVCMOS or LVTTTL, as well as some of the referenced (SSTL and HSTL) output buffers, has a programmable drive strength option. This option can be set for each I/O independently. The drive strength settings available are 2mA, 4mA, 6mA, 8mA, 12mA, 16mA and 20mA. Actual options available vary by the I/O voltage. The user must consider the maximum allowable current per bank and the package thermal limit current when selecting the drive strength. Table 8-6 shows the available drive settings for each of the output standards.

Table 8-6. Programmable Drive Values for Single-ended Buffers

Single Ended I/O Standard	Programmable Drive (mA)
HSTL15_I	4, 8
HSTL18_I	8, 12
SSTL25_I	8, 12
SSTL25_II	16, 20
SSTL18_II	8, 12
LVCMOS12	2, 6
LVCMOS15	4, 8
LVCMOS18	4, 8, 12, 16
LVCMOS25	4, 8, 12, 16, 20
LVCMOS33	4, 8, 12, 16, 20
LVTTTL	4, 8, 12, 16, 20

Programmable Slew Rate

Each LVCMOS or LVTTTL output buffer pin also has a programmable output slew rate control that can be configured for either low noise or high-speed performance. Each I/O pin has an individual slew rate control. This allows designers to specify slew rate control on a pin-by-pin basis. This slew rate control affects both the rising and falling edges.

Open-Drain Control

All LVCMOS and LVTTTL output buffers can be configured to function as open drain outputs. The user can implement an open drain output by turning on the OPENDRAIN attribute in the software.

Differential SSTL and HSTL support

The single-ended driver associated with the complementary 'C' pad can optionally be driven by the complement of the data that drives the single-ended driver associated with the true pad. This allows a pair of single-ended drivers to be used to drive complementary outputs with the lowest possible skew between the signals. This is used for driving complementary SSTL and HSTL signals (as required by the differential SSTL and HSTL clock inputs on syn-

chronous DRAM and synchronous SRAM devices respectively). This capability is also used in conjunction with off-chip resistors to emulate LVPECL, and BLVDS output drivers.

Table 8-7. Programmable Drive Values for Differential Buffers

Differential I/O Standard	Programmable Drive (mA)
HSTL15D_I	4, 8
HSTL18D_I	8, 12
SSTL25D_I	8, 12
SSTL25D_II	16, 20
SSTL18D_II	8, 12

PCI Support with Programmable PCICLAMP

Each sysIO buffer can be configured to support PCI33. The buffers on the top and bottom sides of the device have an optional PCI clamp diode that may optionally be specified in the ispLEVER design tools.

Programmable PCICLAMP can be turned ON or OFF. This option is available on each I/O independently on the top and bottom side banks.

Programmable Input Delay

Each input can optionally be delayed before it is passed to the core logic or input registers. The primary use for the input delay is to achieve zero hold time for the input registers when using a direct drive primary clock. To arrive at zero hold time, the input delay will delay the data by at least as much as the primary clock injection delay. This option can be turned ON or OFF for each I/O independently in the software using the FIXEDDELAY attribute. This attribute is described in more detail in the software sysIO attribute section. Appendix A shows how this feature can be enabled in the software using HDL attributes.

Software sysIO Attributes

sysIO attributes can be specified in the HDL, using the Spreadsheet View of the Design Planner or in the ASCII preference file (.lpf) file directly. Appendices A, B and C list examples of how these can be assigned using each of these methods. This section describes each of these attributes in detail.

IO_TYPE

This is used to set the sysIO standard for an I/O. The V_{CCIO} required to set these I/O standards are embedded in the attribute names itself. There is no separate attribute to set the V_{CCIO} requirements. Table 8-8 lists the available I/O types.

Table 8-8. IO_TYPE Attribute Values

sysIO Signaling Standard	IO_TYPE
DEFAULT	LVC MOS25
LVDS 2.5V	LVDS25
RS DS	RS DS ¹
Emulated LVDS 2.5V	LVDS25E ¹
Bus LVDS 2.5V	BLVDS25 ¹
LVPECL 3.3V	LVPECL33 ¹
HSTL18 Class I and II	HSTL18_I, HTSL18_II
Differential HSTL 18 Class I and II	HSTL18D_I, HSTL18D_II
HSTL 15 Class I	HSTL15_I
Differential HSTL 15 Class I	HSTL15D_I
SSTL 33 Class I and II	SSTL33_I, SSTL33_II
Differential SSTL 33 Class I and II	SSTL33D_I, SSTL33D_II
SSTL 25 Class I and II	SSTL25_I, SSTL25_II
Differential SSTL 25 Class I and II	SSTL25D_I, SSTL25D_II
SSTL 18 Class I and II	SSTL18_I, SSTL18_II
Differential SSTL 18 Class I and II	SSTL18D_I, SSTL18D_II
LV TTL	LV TTL33
3.3V LVC MOS	LVC MOS33
2.5V LVC MOS	LVC MOS25
1.8V LVC MOS	LVC MOS18
1.5V LVC MOS	LVC MOS15
1.2V LVC MOS	LVC MOS12
3.3V PCI	PCI33
MLVDS	MLVDS ¹

1. These differential standards are implemented by using a complementary LVC MOS driver with external resistor pack.

OPENDRAIN

LVC MOS and LV TTL I/O standards can be set to open drain configuration by using the OPENDRAIN attribute.

Values: ON, OFF

Default: OFF

DRIVE

The DRIVE attribute will set the programmable drive strength for the output standards that have programmable drive capability

Table 8-9. DRIVE Settings

Output Standard	DRIVE (mA)	Default (mA)
HSTL15_I/ HSTL15D_I	4, 8	8
HSTL18_I/ HSTL18D_I	8, 12	12
SSTL25_I/ SSTL25D_I	8, 12	8
SSTL25_II/ SSTL25D_II	16, 20	16
SSTL18_II/SSTL18D_II	8, 12	12
LVC MOS12	2, 6	6
LVC MOS15	4, 8	8
LVC MOS18	4, 8, 12, 16	12
LVC MOS25	4, 8, 12, 16, 20	12
LVC MOS33	4, 8, 12, 16, 20	12
LVTTL	4, 8, 12, 16, 20	12

PULLMODE

The PULLMODE attribute is available for all the LVTTL, LVC MOS and PCI inputs and outputs. This attribute can be enabled for each I/O independently.

Values: UP, DOWN, NONE, KEEPER

Default: UP

Table 8-10. PULLMODE Values

PULL Options	PULLMODE Value
Pull-up (Default)	UP
Pull-down	DOWN
Bus Keeper	KEEPER
Pull Off	NONE

PCICLAMP

PCI33 inputs on the top and bottom of the device have an optional PCI clamp that is enabled via the PCICLAMP attribute. The PCICLAMP is also available for all LVC MOS33 and LVTTL inputs.

Values: ON, OFF

Table 8-11. PCICLAMP Values

Input Type	PCICLAMP Value
PCI33	ON (default), OFF
LVC MOS33	OFF (default), ON
LVTTL	OFF (default), ON

SLEWRATE

The SLEWRATE attribute is available for all LVTTL and LVC MOS output drivers. Each I/O pin has an individual slew rate control. This allows a designer to specify slew rate control on a pin-by-pin basis.

Values: FAST, SLOW

Default: FAST

FIXEDEDELAY

The `FIXEDEDELAY` attribute is available to each input pin. This attribute, when enabled, is used to achieve zero hold time for the input registers when using global clock. This attribute can only be assigned in the HDL source.

Values: TRUE, FALSE

Default: FALSE

INBUF

By default, all the unused input buffers are disabled. The `INBUF` attribute is used to enable the unused input buffers when performing a boundary scan test. This is a global attribute and can be globally set to ON or OFF.

Values: ON, OFF

Default: ON

DIN/DOUT

This attribute can be used to assign I/O registers. Using `DIN` will assert an input register and using the `DOUT` attribute will assert an output register. By default, the software will try to assign the I/O registers, if applicable. The user can turn this OFF by using the synthesis attribute or by using the Spreadsheet View of the Design Planner. These attributes can only be applied to registers.

LOC

This attribute can be used to make pin assignments to the I/O ports in the design. This attribute is only used when the pin assignments are made in HDL source. Designers can also assign pins directly using the Spreadsheet View of the Design Planner in the `ispLEVER` software. The appendices explain this in further detail.

Design Considerations and Usage

This section discusses some of the design rules and considerations that must be taken into account when designing with the LatticeXP2 sysIO buffer

Banking Rules

- If V_{CCIO} or V_{CCJ} for any bank is set to 3.3 V, it is recommended that it be connected to the same power supply as V_{CCAUX} , thus minimizing leakage.
- If V_{CCIO} or V_{CCJ} for any bank is set to 1.2V, it is recommended that it be connected to the same power supply as V_{CC} , thus minimizing leakage.
- When implementing DDR memory interfaces, the V_{REF1} of the bank is used to provide reference to the interface pins and cannot be used to power any other referenced inputs.
- Only the top and bottom banks (banks 0, 1, 4 and 5)) will support PCI clamps.
- All legal input buffers should be independent of bank V_{CCIO} , except for 1.8V and 1.5V buffers, which require a bank V_{CCIO} of 1.8V and 1.5V.

Differential I/O Rules

- All banks can support LVDS input buffers. Only the banks on the right and left sides (Banks 2, 3, 6 and 7) will support True Differential output buffers. The banks on all sides will support the LVDS input buffers. The user can use emulated LVDS output buffers on these banks.
- All banks support emulated differential buffers using external resistor pack and complementary LVCMOS drivers.
- Only 50% of the I/Os on the left and right sides can provide LVDS output buffer capability. LVDS can only be assigned to the TRUE pad. The `ispLEVER` design tool will automatically assign the other I/Os of the differential pair to the complementary pad. Refer to the device data sheet to see the pin listings for all LVDS pairs.

Differential I/O Implementation

The LatticeXP2 devices support a variety of differential standards as detailed in the following sections.

LVDS

True LVDS (LVDS25) drivers are available on 50% of the I/Os on the left and right side of the devices. LVDS input support is provided on all sides of the device. All four sides of the device support LVDS using complementary LVCMOS drivers with external resistors (LVDS25E). Refer to the [LatticeXP2 Family Data Sheet](#) for a detailed explanation of these LVDS implementations.

BLVDS

All single-ended sysIO buffers pairs support the Bus-LVDS standard using complementary LVCMOS drivers with external resistors. Please refer to the [LatticeXP2 Family Data Sheet](#) for a detailed explanation of BLVDS implementation.

RSDS

All single-ended sysIO buffers pairs support RSDS standard using complementary LVCMOS drivers with external resistors. Please refer to the [LatticeXP2 Family Data Sheet](#) for a detailed explanation of RSDS implementation.

LVPECL

All the sysIO buffers will support LVPECL inputs. LVPECL outputs are supported using complementary LVCMOS driver with external resistors. Please refer to the [LatticeXP2 Family Data Sheet](#) for a detailed explanation of LVPECL implementation.

Differential SSTL and HSTL

All single-ended sysIO buffers pairs support differential SSTL and HSTL. Please refer to the [LatticeXP2 Family Data Sheet](#) for a detailed explanation of Differential HSTL and SSTL implementation.

MLVDS

All single-ended sysIO buffers pairs support MLVDS standard using complementary LVCMOS drivers with external resistors. Please refer to the [LatticeXP2 Family Data Sheet](#) for a detailed explanation of MLVDS implementation.

Technical Support Assistance

Hotline: 1-800-LATTICE (North America)
 +1-503-268-8001 (Outside North America)
 e-mail: techsupport@latticesemi.com
 Internet: www.latticesemi.com

Revision History

Date	Version	Change Summary
February 2007	01.0	Initial release.
April 2008	01.1	Updated Supported Output Standards table.
		Updated sysIO Banking figure.
February 2009	01.2	Updated I/O Standards Supported by Bank table.
June 2010	01.3	Added Appendix D - sysIO Attributes Using the Diamond Spreadsheet View User Interface.

Appendix A. HDL Attributes for Synplicity® and Precision® RTL Synthesis

Using these HDL attributes, designers can assign the sysIO attributes directly in their source. The attribute definition and syntax for the appropriate synthesis vendor must be used. Below are a list of all the sysIO attributes, syntax and examples for Precision RTL Synthesis and Synplicity. This section only lists the sysIO buffer attributes for these devices. These attributes are available through the ispLEVER software Help system.

VHDL Synplicity/Precision RTL Synthesis

This section lists syntax and examples for all the sysIO Attributes in VHDL when using the Precision RTL Synthesis or Synplicity synthesis tools.

Syntax

Table 8-12. VHDL Attribute Syntax for Synplicity and Precision RTL Synthesis

Attribute	Syntax
IO_TYPE	attribute IO_TYPE: string; attribute IO_TYPE of <i>Pinname</i> : signal is " <i>IO_TYPE Value</i> ";
OPENDRAIN	attribute OPENDRAIN: string; attribute OPENDRAIN of <i>Pinname</i> : signal is " <i>OpenDrain Value</i> ";
DRIVE	attribute DRIVE: string; attribute DRIVE of <i>Pinname</i> : signal is " <i>Drive Value</i> ";
PULLMODE	attribute PULLMODE: string; attribute PULLMODE of <i>Pinname</i> : signal is " <i>Pullmode Value</i> ";
PCICLAMP	attribute PCICLAMP: string; attribute PCICLAMP of <i>Pinname</i> : signal is " <i>PCIClamp Value</i> ";
SLEWRATE	attribute PULLMODE: string; attribute PULLMODE of <i>Pinname</i> : signal is " <i>Slewrates Value</i> ";
FIXEDELAY	attribute FIXEDELAY: string; attribute FIXEDELAY of <i>Pinname</i> : signal is " <i>Fixeddelay Value</i> ";
DIN	attribute DIN: string; attribute DIN of <i>Pinname</i> : signal is " ";
DOUT	attribute DOUT: string; attribute DOUT of <i>Pinname</i> : signal is " ";
LOC	attribute LOC: string; attribute LOC of <i>Pinname</i> : signal is "pin_locations";

Examples

IO_TYPE

```
--***Attribute Declaration***
ATTRIBUTE IO_TYPE: string;
--***IO_TYPE assignment for I/O Pin***
ATTRIBUTE IO_TYPE OF portA:    SIGNAL IS "PCI33";
ATTRIBUTE IO_TYPE OF portB:    SIGNAL IS "LVCMOS33";
ATTRIBUTE IO_TYPE OF portC:    SIGNAL IS "LVDS25";
```

OPENDRAIN

```
--***Attribute Declaration***
ATTRIBUTE OPENDRAIN: string;
--***DRIVE assignment for I/O Pin***
ATTRIBUTE OPENDRAIN OF portB: SIGNAL IS "ON";
```

DRIVE

```
--***Attribute Declaration***  
ATTRIBUTE DRIVE: string;  
--***DRIVE assignment for I/O Pin***  
ATTRIBUTE DRIVE OF portB: SIGNAL IS "20";
```

PULLMODE

```
--***Attribute Declaration***  
ATTRIBUTE PULLMODE : string;  
--***PULLMODE assignment for I/O Pin***  
ATTRIBUTE PULLMODE OF portA: SIGNAL IS "DOWN";  
ATTRIBUTE PULLMODE OF portB: SIGNAL IS "UP";
```

PCICLAMP

```
--***Attribute Declaration***  
ATTRIBUTE PCICLAMP: string;  
--***PULLMODE assignment for I/O Pin***  
ATTRIBUTE PCICLAMP OF portA: SIGNAL IS "ON";
```

SLEWRATE

```
--***Attribute Declaration***  
ATTRIBUTE SLEWRATE : string;  
--*** SLEWRATE assignment for I/O Pin***  
ATTRIBUTE SLEWRATE OF portB: SIGNAL IS "FAST";
```

FIXEDEDELAY

```
--***Attribute Declaration***  
ATTRIBUTE FIXEDDELAY: string;  
--*** SLEWRATE assignment for I/O Pin***  
ATTRIBUTE FIXEDDELAY OF portB: SIGNAL IS "TRUE";
```

DIN/DOU

```
--***Attribute Declaration***  
ATTRIBUTE din : string;  
ATTRIBUTE dout : string;  
--*** din/dout assignment for I/O Pin***  
ATTRIBUTE din OF input_vector: SIGNAL IS " ";  
ATTRIBUTE dout OF output_vector: SIGNAL IS " ";
```

LOC

```
--***Attribute Declaration***  
ATTRIBUTE LOC : string;  
--*** LOC assignment for I/O Pin***  
ATTRIBUTE LOC OF input_vector: SIGNAL IS "E3,B3,C3 ";
```

Verilog Synplicity

This section lists syntax and examples for all the sysIO Attributes in Verilog using the Synplicity synthesis tool.

Syntax

Table 8-13. Verilog Synplicity Attribute Syntax

Attribute	Syntax
IO_TYPE	<i>PinType PinName</i> /* synthesis IO_TYPE="IO_Type Value"*/;
OPENDRAIN	<i>PinType PinName</i> /* synthesis OPENDRAIN ="OpenDrain Value"*/;
DRIVE	<i>PinType PinName</i> /* synthesis DRIVE="Drive Value"*/;
PULLMODE	<i>PinType PinName</i> /* synthesis PULLMODE="Pullmode Value"*/;
PCICLAMP	<i>PinType PinName</i> /* synthesis PCICLAMP ="PCIClamp Value"*/;
SLEWRATE	<i>PinType PinName</i> /* synthesis SLEWRATE="Slewrates Value"*/;
FIXEDELAY	<i>PinType PinName</i> /* synthesis FIXEDELAY="Fixeddelay Value"*/;
DIN	<i>PinType PinName</i> /* synthesis DIN=" "*/;
DOUT	<i>PinType PinName</i> /* synthesis DOUT=" "*/;
LOC	<i>PinType PinName</i> /* synthesis LOC="pin_locations "*/;

Examples

```

//IO_TYPE, PULLMODE, SLEWRATE and DRIVE assignment
output portB /*synthesis IO_TYPE="LVCMOS33" PULLMODE ="UP" SLEWRATE ="FAST"
DRIVE ="20"*/;
output portC /*synthesis IO_TYPE="LVDS25" */;

//OPENDRAIN
output portA /*synthesis OPENDRAIN ="ON"*/;

//PCICLAMP
output portA /*synthesis IO_TYPE="PCI33" PULLMODE ="PCICLAMP"*/;

// Fixeddelay
input load /* synthesis FIXEDDELAY="TRUE" */;

// Place the flip-flops near the load input
input load /* synthesis din="" */;

// Place the flip-flops near the outload output
output outload /* synthesis dout="" */;

//I/O pin location
input [3:0] DATA0 /* synthesis loc="E3,B1,F3"*/;

//Register pin location
reg data_in_ch1_buf_reg3 /* synthesis loc="R40C47" */;

//Vectored internal bus
reg [3:0] data_in_ch1_reg /*synthesis loc ="R40C47,R40C46,R40C45,R40C44" */;

```

Verilog Precision

This section lists syntax and examples for all the sysIO Attributes in Verilog using the Precision RTL Synthesis tool.

Syntax

Table 8-14. Verilog Precision Attribute Syntax

Attribute	Syntax
IO_TYPE	//pragma attribute <i>PinName</i> IO_TYPE IO_TYPE Value
OPENDRAIN	// pragma attribute <i>PinName</i> OPENDRAIN OpenDrain Value
DRIVE	// pragma attribute <i>PinName</i> DRIVE Drive Value
PULLMODE	// pragma attribute <i>PinName</i> IO_TYPE Pullmode Value
PCICLAMP	// pragma attribute <i>PinName</i> PCICLAMP PCIClamp Value
SLEWRATE	// pragma attribute <i>PinName</i> IO_TYPE Slewrate Value
FIXEDELAY	// pragma attribute <i>PinName</i> IO_TYPE Fixeddelay Value
LOC	// pragma attribute <i>PinName</i> LOC pin_location

Examples

```
//****IO_TYPE ***
//pragma attribute portA IO_TYPE PCI33
//pragma attribute portB IO_TYPE LVCMOS33
//pragma attribute portC IO_TYPE SSTL25_II

//*** Opendrain ***
//pragma attribute portB OPENDRAIN ON
//pragma attribute portD OPENDRAIN OFF

//*** Drive ***
//pragma attribute portB DRIVE 20
//pragma attribute portD DRIVE 8

//*** Pullmode***
//pragma attribute portB PULLMODE UP

//*** PCIClamp***
//pragma attribute portB PCICLAMP ON

//*** Slewrate ***
//pragma attribute portB SLEWRATE FAST
//pragma attribute portD SLEWRATE SLOW

// ***Fixeddelay***
// pragma attribute load FIXEDELAY TRUE

//****LOC***
//pragma attribute portB loc E3
```

Appendix B. sysIO Attributes Using the Design Planner User Interface

Designers can assign sysIO buffer attributes using the Design Planner GUI available in the ispLEVER design tool. If you are using Lattice Diamond™ design software, refer to Appendix D. The Pin Attribute Sheet lists all the ports in a design and all the available sysIO attributes as preferences. By clicking on each of these cells, a list of all the valid I/O preference for that port is displayed. Each column takes precedence over the next. Therefore, when a particular IO_TYPE is chosen, the DRIVE, PULLMODE and SLEWRATE columns will only list the valid combinations for that IO_TYPE. The pin locations can be locked using the pin location column of the Pin Attribute sheet. Right-clicking on a cell will list the available pin locations. The Spreadsheet View will also conduct a DRC check to search for any incorrect pin assignments.

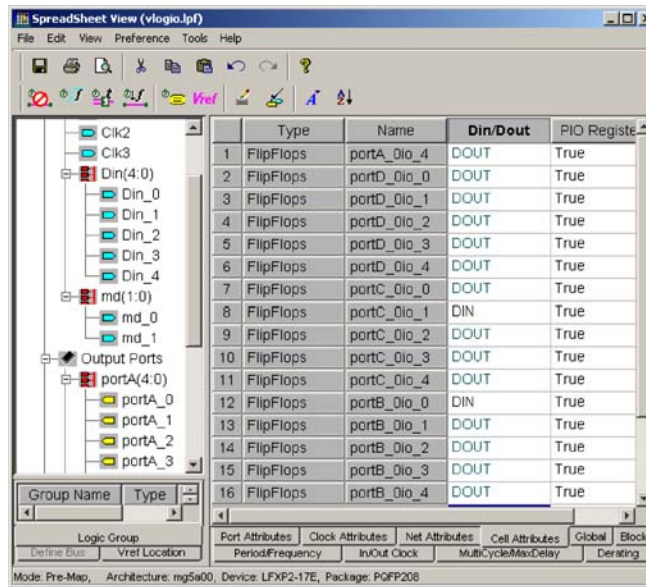
Designers can enter DIN/DOUT preferences using the Cell Attributes sheet of the Preference Editor. All the preferences assigned using the Preference Editor are written into the preference file (.prf).

Figures 8-2 and 8-3 show the Pin Attribute sheet and the Cell Attribute sheet views of the preference editor. For further information on how to use the Preference Editor, refer to the ispLEVER Help documentation in the Help menu option of the software.

Figure 8-2. Port Attributes Tab

	Type	Name	Group by	Pin	Bank	Vref	IO_TYPE	PULLMODE	DRIVE	SLEWRATE	PCICLAMP
1	AIOPORTS		N/A	N/A	N/A	N/A	LVCMS25	UP	N/A	FAST	OFF
2	Clock Input	Clk0	N/A			N/A	LVCMS25	UP	NA	FAST	OFF
3	Clock Input	Clk1	N/A			N/A	LVCMS25	UP	NA	FAST	OFF
4	Clock Input	Clk2	N/A			N/A	LVCMS25	UP	NA	FAST	OFF
5	Clock Input	Clk3	N/A			N/A	LVCMS33	UP	NA	FAST	OFF
6	Input Port	Din_0	N/A				SSTL33_J	NONE	NA	FAST	OFF
7	Input Port	Din_1	N/A			N/A	LVCMS25	UP	NA	FAST	OFF
8	Input Port	Din_2	N/A			N/A	LVCMS25	UP	NA	FAST	OFF
9	Input Port	Din_3	N/A			N/A	LVCMS25	UP	NA	FAST	OFF
10	Input Port	Din_4	N/A			N/A	LVCMS25	UP	NA	FAST	OFF
11	Input Port	mid_0	N/A			N/A	PCI33	NONE	NA	FAST	OFF
12	Input Port	mid_1	N/A			N/A	PCI33	NONE	NA	FAST	OFF
13	Output Port	portA_0	N/A			N/A	PCI33	UP	NA	FAST	OFF
14	Output Port	portA_1	N/A			N/A	PCI33	UP	NA	FAST	OFF
15	Output Port	portA_2	N/A			N/A	LVPECL33	NONE	NA	FAST	OFF
16	Output Port	portA_3	N/A			N/A	PCI33	UP	NA	FAST	OFF
17	Output Port	portA_4	N/A			N/A	LVCMS15	UP	8	FAST	OFF
18	Output Port	portB_0	N/A			N/A	LVCMS33	UP	12	FAST	OFF

Figure 8-3. Cell Attributes Tab



Appendix C. sysIO Attributes Using Preference File (ASCII File)

Designers can enter sysIO attributes directly in the preference (.lpf) file as sysIO buffer preferences. The LPF file is a post-synthesis FPGA constraint file that stores logical preferences that have been created or modified in the Design Planner or Text Editor. It also contains logical preferences originating in the HDL source that have been modified.

. Below are a list of sysIO buffer preference syntax and examples.

IOBUF

This preference is used to assign the attribute IO_TYPE, PULLMODE, SLEWRATE, PCICLAMP and DRIVE.

Syntax

```
IOBUF [ALLPORTS | PORT <port_name> | GROUP <group_name>] (keyword=<value>)+;
```

where:

<port_name> = These are not the actual top-level port names, but should be the signal name attached to the port. PIOs in the physical design (.ncd) file are named using this convention. Any multiple listings or wildcarding should be done using GROUPs

Keyword = IO_TYPE, OPENDRAIN, DRIVE, PULLMODE, PCICLAMP, SLEWRATE.

Example

```
IOBUF PORT "port1" IO_TYPE=LVTTL33 OPENDRAIN=ON DRIVE=8 PULLMODE=UP
PCICLAMP =OFF SLEWRATE=FAST;
DEFINE PORT GROUP "bank1" "in*" "out_[0-31]";
IOBUF GROUP "bank1" IO_TYPE=SSTL18_II;
```

LOCATE

When this preference is applied to a specified component, it places the component at a specified site and locks the component to the site. If applied to a specified macro instance, it places the macro's reference component at a specified site, places all of the macro's pre-placed components (that is, all components that were placed in the macro's library file) in sites relative to the reference component, and locks all of these placed components at their sites. Below are some of the LOCATE syntax and examples. For further information, refer to the ispLEVER Help documentation in the Help menu option of the software.

Syntax

```
LOCATE [COMP <comp_name> | MACRO <macro_name>] SITE <site_name>;
LOCATE VREF <vref_name> SITE <site_name>;
```

Note: If the comp_name, macro_name, or site_name begins with anything other than an alpha character (for example, "11C7"), you must enclose the name in quotes. Wildcard expressions are allowed in <comp_name>.

Examples

This command places the port Clk0 on the site A4:

```
LOCATE COMP "Clk0" SITE "A4";
```

This command places the component PFU1 on the site named R1C7:

```
LOCATE COMP "PFU1" SITE "R1C7";
LOCATE VREF "ref1" SITE PR29C;
```

USE DIN CELL

This preference specifies the given register to be used as an input flip-flop.

Syntax

```
USE DIN CELL <cell_name>;
```

where:

```
<cell_name> := string
```

Example

```
USE DIN CELL "din0";
```

USE DOUT CELL

Specifies the given register to be used as an output flip-flop.

Syntax

```
USE DOUT CELL <cell_name>;
```

where:

```
<cell_name> := string
```

Example

```
USE DOUT CELL "dout1";
```

GROUP VREF

This preference is used to group all the components that need to be associated to one V_{REF} pin within a bank.

Syntax

```
LOCATE VREF <vref_name> SITE <site_name>;
```

Example

```
IOBUF GROUP <group_name> BANK=<bank_name> VREF=<Vref_name>  
LOCATE VREF "ref1" SITE PR29C;  
LOCATE VREF "ref2" SITE PR48B;  
IOBUF GROUP "group1" IO_TYPE=SSTL18_II BANK=0 VREF=vref1 ;
```

Appendix D. sysIO Attributes Using the Diamond Spreadsheet View User Interface

sysIO buffer attributes can be assigned using the Spreadsheet View available in the Lattice Diamond design software. The Port Assignments Sheet lists all the ports in a design and all the available sysIO attributes in multiple columns. Click on each of these cells for a list of all valid I/O preferences for that port. Each column takes precedence over the next. Therefore, when you choose a particular IO_TYPE, the columns for the DRIVE, PULLMODE, SLEWRATE and other attributes will only list the valid entries for that IO_TYPE.

Pin locations can be locked using the Pin column of the Port Assignments sheet or using the Pin Assignments sheet. You can right-click on a cell and go to Assign Pins to see a list of available pins.

The Spreadsheet View also has an option to run a DRC check to check for any incorrect pin assignments. You can enter the DIN/DOUT preferences using the Cell Mapping Tab. All the preferences assigned using the Spreadsheet View are written into the logical preference file (.lpf).

Figure 8-4 shows the Port Assignments Sheet of the Spreadsheet View. For further information on how to use the Spreadsheet View, refer to the Diamond Help documentation, available in the Help menu option of the software.

Figure 8-4. Port Attributes Tab of Spreadsheet View

Type	Name	Group by	Pin	Bank	Vref	IO_TYPE	PULLMODE	DRIVE	SLEWRATE	PCICLAMP	OPENDRAIN	Outload (pF)
1	All Ports	N/A	N/A	N/A	N/A	LVC MOS25	UP	N/A	FAST	OFF	OFF	N/A
2	Bidi Port A_0	N/A			N/A	LVC MOS25	UP	12	FAST	OFF	OFF	0.000
3	Bidi Port A_1	N/A			N/A	LVC MOS25	UP	12	FAST	OFF	OFF	0.000
4	Bidi Port B_0	N/A			N/A	LVC MOS25	UP	12	FAST	OFF	OFF	0.000
5	Bidi Port B_1	N/A			N/A	LVC MOS25	UP	12	FAST	OFF	OFF	0.000
6	Clock Input Clk	N/A			N/A	LVC MOS25	UP	NA	FAST	OFF	OFF	N/A
7	Input Port Clr	N/A				SSTL18_I	NONE	NA	FAST	OFF	OFF	N/A
8	Input Port Dir	N/A			N/A	LVC MOS25	UP	NA	FAST	OFF	OFF	N/A
9	Input Port OE	N/A			N/A	LVC MOS25	UP	NA	FAST	OFF	OFF	N/A
10	TriState Port Q_0	N/A			N/A	LVC MOS25	UP	12	FAST	OFF	OFF	0.000
11	TriState Port Q_1	N/A			N/A	LVC MOS25	UP	12	FAST	OFF	OFF	0.000
12	TriState Port Q_2	N/A			N/A	LVC MOS25	UP	12	FAST	OFF	OFF	0.000

Users can create a VREF pin using the Spreadsheet View as shown in Figure 8-5 and then assign VREF for a bank using the VREF Column in the Ports Assignment Tab of the Spreadsheet View as show in Figure 8-6. See the Diamond online help for a more detailed description of this setting.

Figure 8-5. Creating a VREF in Spreadsheet View

Create New VREF

VREF Name:

SITE:

Pin	Pad Name	Bank
L6	PL34B	7
P5	PL52A	6
P6	PL52B	6
U21	PR52B	3
T20	PR52A	3
N21	PR34B	2
M22	PR34A	2
G19	PT136B	1

Buttons: Add, Cancel, Help

Figure 8-6. Assigning VREF for an Input Port in Spreadsheet View

	Type	Name	Group by	Pin	Bank	Vref	IO_TYPE	PULLMODE	DRIVE	SLEWRATE	PCICLAMP	OPENDRAIN
1	All Ports		N/A	N/A	N/A	N/A	LVC MOS25	UP	N/A	FAST	OFF	OFF
2	Input Port	Dir	N/A			N/A	LVC MOS25	UP	NA	FAST	OFF	OFF
3	Clock Input	Clk	N/A			N/A	LVC MOS25	UP	NA	FAST	OFF	OFF
4	Input Port	Clr	N/A			VREF1.L5	8STL18_J	NONE	NA	FAST	OFF	OFF
5	Input Port	OE	N/A			N/A	LVC MOS25	UP	NA	FAST	OFF	OFF

Port Assignments | Pin Assignments | Clock Resource | Route Priority | Cell Mapping | Global Preferences | Timing Preferences | Group | Misc Preferences

Introduction

This user's guide describes the clock resources available in the LatticeXP2™ device architecture. Details are provided for primary clocks, secondary clocks and edge clocks as well as clock elements such as PLLs, clock dividers and more.

The number of PLLs and DDR-DLLs for each device is listed in Table 9-1.

Table 9-1. Number of PLLs and DDR-DLLs

Parameter	Description	XP2-5	XP2-8	XP2-17	XP2-30	XP2-40
Number of GPLLs	General purpose PLL	2	2	4	4	4
Number of DDR-DLLs	DDL for DDR applications	2	2	2	2	2

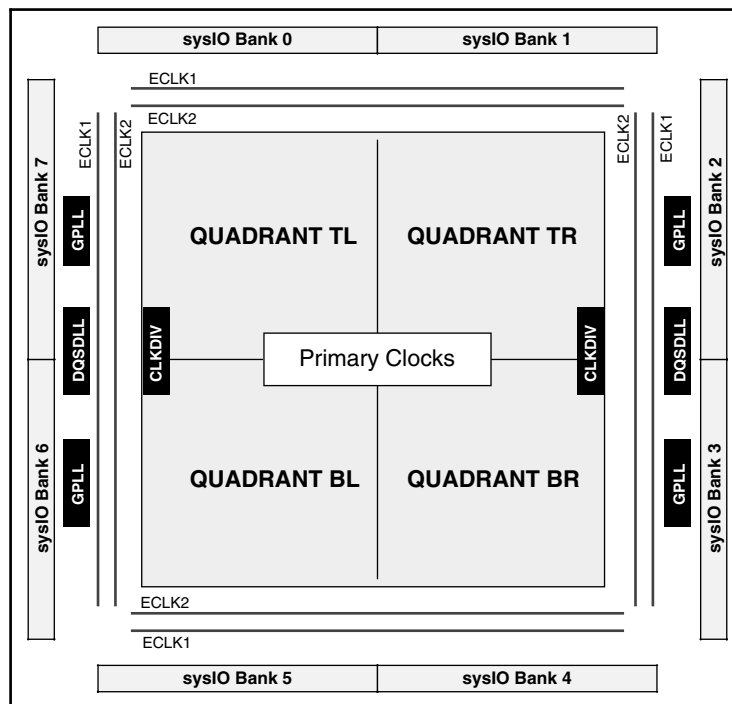
Clock/Control Distribution Network

LatticeXP2 devices provide global clock distribution in the form of eight quadrant-based primary clocks and flexible secondary clocks. Two edge clocks are also provided on every edge of the device. Other clock sources include clock input pins, internal nodes, PLLs, and clock dividers.

LatticeXP2 Top Level View

Figure 9-1 provides a view of the primary clocking structure of the LatticeXP2-40 device.

Figure 9-1. LatticeXP2 Clocking Structure (LFXP2-40)



Primary Clocks

Each quadrant receives up to eight primary clocks. Two of these clocks provide the Dynamic Clock Selection (DCS) feature. The six primary clocks without DCS can be specified in the Pre-map Preference Editor as ‘Primary Pure’ and the two DCS clocks as ‘Primary-DCS’.

The sources of primary clocks are:

- PLL outputs
- CLKDIV outputs
- Dedicated clock pins
- Internal nodes

Secondary Clocks

The LatticeXP2 secondary clocks are a flexible region-based clocking resource. Each region can have four independent clock inputs. Since the secondary clock is a regional resource, it can cross the primary clock quadrant boundaries.

There are eight secondary clock muxes per quadrant. Each mux has inputs from four different sources. Three of these are from internal nodes. The fourth input comes from a primary clock pin. The input sources are not necessarily located in the same quadrant as the mux. This structure enables global use of secondary clocks.

The sources of secondary clocks are:

- Dedicated clock pins
- Clock Divider (CLKDIV) outputs
- Internal nodes

Table 9-2 lists the number of secondary clock regions in LatticeXP2 devices.

Table 9-2. Number of Secondary Clock Regions

Parameter	XP2-5	XP2-8	XP2-17	XP2-30	XP2-40
Number of regions	6	6	6	6	8

Edge Clocks

The LatticeXP2 device has two Edge Clocks (ECLK) per side. These clocks, which have low injection time and skew, are used to clock I/O registers. Edge clock resources are designed for high speed I/O interfaces with high fanout capability. Refer to Appendix B for detailed information on ECLK locations and connectivity.

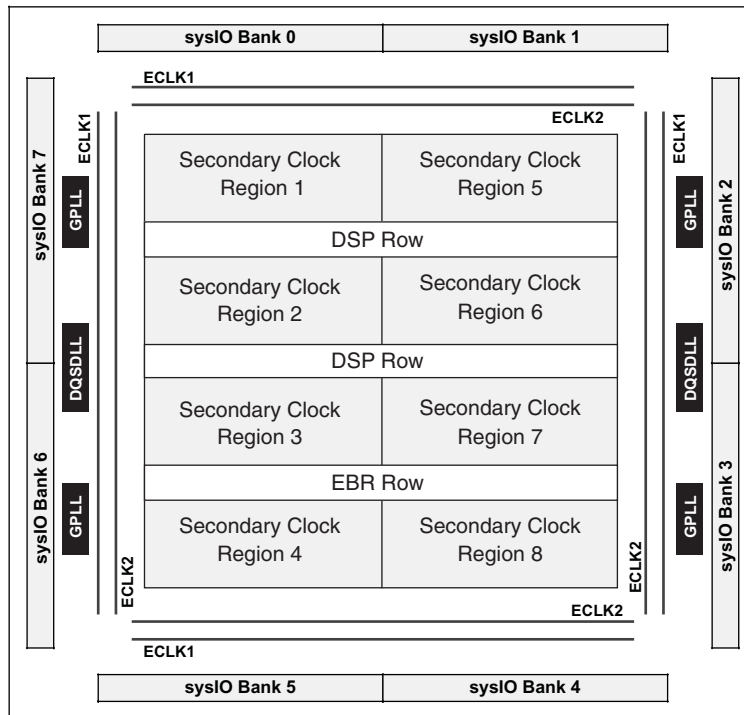
The sources of edge clocks are:

- Left and Right Edge Clocks
 - Dedicated clock pins
 - PLL outputs
 - PLL input pins
 - Internal nodes
- Top and Bottom Edge Clocks
 - Dedicated clock pins
 - Internal nodes

Edge clocks can directly drive the secondary clock resources and general routing resources. Refer to Figure 9-21 for detailed information on edge clock routing.

Figure 9-2 describes the structure of the secondary clocks and edge clocks.

Figure 9-2. LatticeXP2 Secondary Clocks and Edge Clocks (LFXP2-40)



Primary Clock Note

The CLKOP must be used as the feedback source to optimize PLL performance.

Most designers use PLLs for clock tree injection removal mode and the CLKOP should be assigned to a primary clock. This is done automatically by the software unless otherwise specified by the user.

CLKOP can route only to CLK0 to CLK5, while CLKOS/CLKOK can route to all primary clocks (CLK0 TO CLK7).

When CLK6 or CLK7 is used as a primary clock and there is only one clock input to the DCS, the DCS is assigned as a buffer mode by the software. Please see the DCS section of this document for detailed information.

Specifying Clocks in the Design Tools

If desired, designers can specify the clock resources, primary, secondary or edge to be used to distribute a given clock source. Figure 9-3 illustrates how this can be done in the Pre-map Preference editor. Alternatively, the preference file can be used, as discussed in Appendix C.

Primary-Pure and Primary-DCS

Primary Clock Net can be assigned to either Primary-Pure (CLK0 to CLK5) or Primary-DCS (CLK6 and CLK7).

Global Primary Clock and Quadrant Primary Clock

Global Primary Clock

If a primary clock is not assigned as a quadrant clock, the software assumes it is a global clock.

There are six Global Primary/Pure clocks and two Global Primary/DCS clocks available.

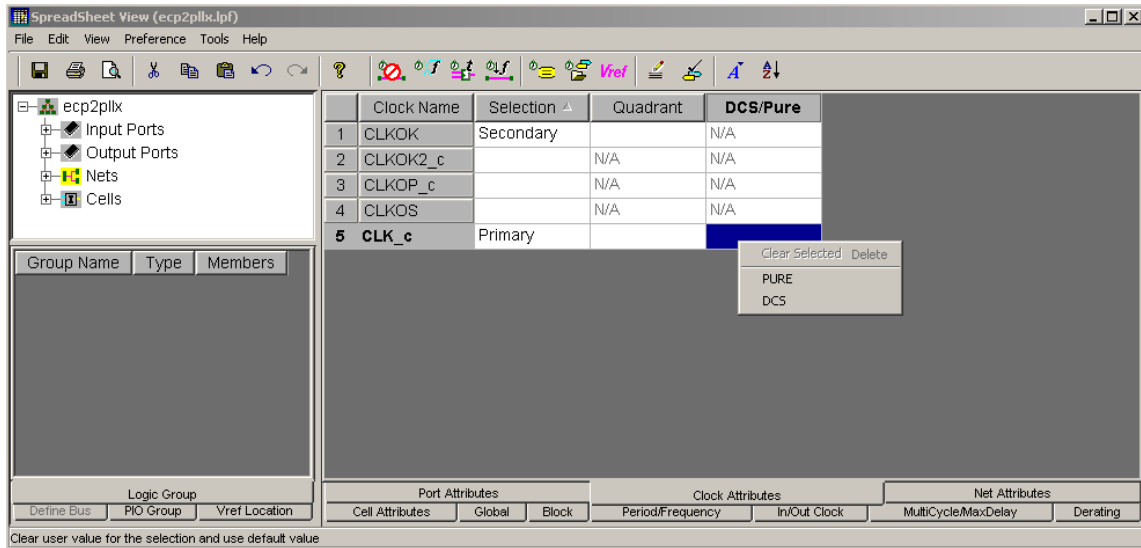
Quadrant Primary Clock

Any primary clock may be assigned to a quadrant clock. The clock may be assigned to a single quadrant or to two adjacent quadrants (not diagonally adjacent).

When a quadrant clock net is used, the user must ensure that the registers each clock drives can be assigned in that quadrant without any routing issues.

In the Quadrant Primary Clocking scheme, the maximum number of primary clocks is 32, as long as all the primary clock sources are available.

Figure 9-3. Clock Attributes in the Pre-map Preference Editor

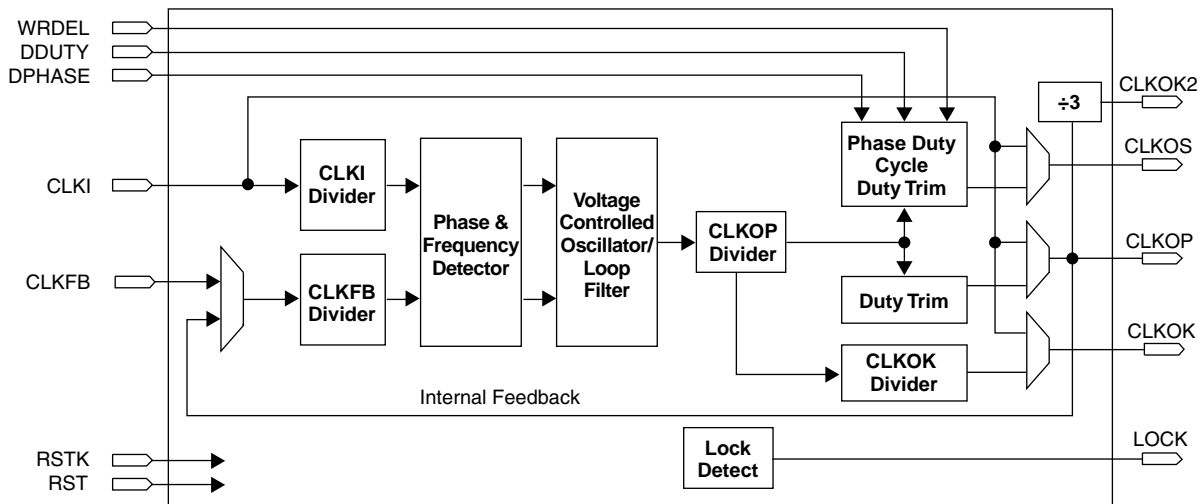


Refer to Appendix A for detailed clock network diagrams.

sysCLOCK™ PLL

The LatticeXP2 PLL provides features such as clock injection delay removal, frequency synthesis, phase/duty cycle adjustment, and dynamic delay adjustment. Figure 9-4 shows the block diagram of the LatticeXP2 PLL.

Figure 9-4. LatticeXP2 PLL Block Diagram



Functional Description

PLL Divider and Delay Blocks

Input Clock (CLKI) Divider

The CLKI divider is used to control the input clock frequency into the PLL block. The divider setting directly corresponds to the divisor of the output clock. The input and output of the input divider must be within the input and output frequency ranges specified in the device data sheet.

Feedback Loop (CLKFB) Divider

The CLKFB divider is used to divide the feedback signal. Effectively, this multiplies the output clock, because the divided feedback must speed up to match the input frequency into the PLL block. The PLL block increases the output frequency until the divided feedback frequency equals the input frequency. The input and output of the feedback divider must be within the input and output frequency ranges specified in the device data sheet.

Output Clock (CLKOP) Divider

The CLKOP divider serves the dual purposes of squaring the duty cycle of the VCO output and scaling up the VCO frequency into the 435MHz to 870MHz range to minimize jitter. The CLKOP divider values are the same whether or not the CLKOS is used.

CLKOK Divider

The CLKOK divider acts as a source for the global clock nets. It divides the CLKOP signal of the PLL by the value of the divider to produce lower frequency clock.

CLKOK2 Divider

The CLKOK2 is CLKOP divided by 3 for generating 140 MHz from 420 MHz to support SPI4.2.

Phase Adjustment and Duty Cycle Select (Static Mode)

Users can program CLKOS with Phase and Duty Cycle options. Phase adjustment can be done in 22.5° steps. The duty cycle resolution is 1/16th of a period except 1/16th and 15/16th duty cycle options are not supported to avoid minimum pulse violation.

Dynamic Phase Adjustment (DPHASE) and Dynamic Duty Cycle (DDUTY) Select

The Phase Adjustment and Duty Cycle Select can be controlled in dynamic mode. When this mode is selected, both the Phase Adjustment and Duty Cycle Select must be in dynamic mode. If only one of the features is to be used in dynamic mode, users can set the other control inputs with the fixed logic levels of their choice.

Duty Trim Adjustment

With the LatticeXP2 device family, the duty cycle can be fine-tuned with the Duty Trim Adjustment.

Fine Delay Adjust

This optional feature is controlled by the input port, WRDEL. See information on the WRDEL input in the next section of this document.

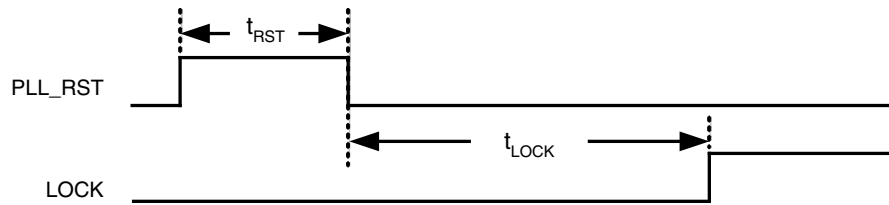
PLL Inputs and Outputs

CLKI Input

The CLKI signal is the reference clock for the PLL. It must conform to the specifications in the data sheet in order for the PLL to operate correctly. The CLKI can be derived from a dedicated dual-purpose pin or from routing.

RST Input

The PLL reset occurs under two conditions. At power-up an internal power-up reset signal from the configuration block resets the PLL. The user-controlled PLL reset signal RST is provided as part of the PLL module that can be driven by an internally generated reset function or a pin. This RST signal resets all internal PLL counters, flip-flops (including the M-Divider) and the charge pump. The M-Divider reset synchronizes the M-Divider output to the input clock. When RST goes inactive, the PLL will start the lock-in process, and will take the t_{LOCK} time to complete the PLL lock. Figure 9-5 shows the timing diagram of the RST input. RST is active high. The RST signal is optional.

Figure 9-5. RST Input Timing Diagram

RSTK Input

RSTK is the reset input for the K-Divider. This K-Divider reset is used to synchronize the K-Divider output clock to the input clock. LatticeXP2 has an optional gearbox in the I/O cell for both outputs and inputs. The K-Divider reset is useful for the gearbox implementation. RSTK is active high.

CLKFB Input

The feedback signal to the PLL, which is fed through the feedback divider, can be derived from the Primary Clock net (CLKOP), a preferred pin, directly from the CLKOP divider or from general routing. External feedback allows the designer to compensate for board-level clock alignment.

CLKOP Output

The sysCLOCK PLL main clock output, CLKOP, is a signal available for selection as a primary clock. This clock signal is available at the CLK_OUT pin.

CLKOS Output with Phase and Duty Cycle Select

The sysCLOCK PLL auxiliary clock output, CLKOS, is a signal available for selection as a primary clock. The CLKOS is used when phase shift and/or duty cycle adjustment is desired. The programmable phase shift allows for different phase in increments of 22.5° . The duty select feature provides duty select in 1/16th of the clock period. This feature is also supported in Dynamic Control Mode.

CLKOK Output with Lower Frequency

The CLKOK is used when a lower frequency is desired. It is a signal available for selection as a primary clock.

CLKOK2 Output

This extra clock is provided for SPI4.2 application. The 420 MHz CLKOP clock is divided by 3, producing 140 MHz. The clock can also be used for any applications where CLKOP-divided-by-3 is required.

LOCK Output

The LOCK output provides information about the status of the PLL. After the device is powered up and the input clock is valid, the PLL will achieve lock within the specified lock time. Once lock is achieved, the PLL lock signal will be asserted. If, during operation, the input clock or feedback signals to the PLL become invalid, the PLL will lose lock. However, when the input clock completely stops, the LOCK output will remain in its last state, since it is internally registered by this clock. It is recommended to assert PLL RST to re-synchronize the PLL to the reference clock. The LOCK signal is available to the FPGA routing to implement generation of RST. ModelSim[®] simulation models take two to four reference clock cycles from RST release to LOCK high.

Dynamic Phase and Dynamic Duty Cycle Adjustment

The DPHASE[3:0] port is used with the Dynamic Phase Adjustment feature to allow the user to connect a control signal to the PLL. The DDUTY[3:0] port is used with the Dynamic Duty Adjustment feature to allow the user to connect a control signal to the PLL. The DPHASE and DDUTY ports are listed in Table 9-3.

The Dynamic Phase and Dynamic Duty Cycle Adjustment features will be discussed in more detail in later sections of this document.

Table 9-3. Dynamic Phase and Duty Cycle Adjust Ports

Port Name	I/O	Description
DPHASE[3:0]	I	Dynamic Phase Adjust inputs
DDUTY[3:0]	I	Dynamic Duty Cycle Adjust inputs

WRDEL (Write Delay)

The fine delay option supports SPI4.2. The PLL has a coarse phase adjust feature in which a cycle is divided into 16 equal steps (22.5°). For SPI4.2 running at 840 Mbps, the clock frequency is 420 MHz. At this frequency, the period is roughly 150 ps. This is slightly too coarse for dynamic phase adjust requirements. It may be more effective to use increments half as large. Combined with coarse phase adjust, a 70 ps (nominal) step provides effectively 32 steps of phase adjustment. This fine delay only applies to CLKOS (just like the coarse phase adjust). This is convenient since it allows one GPLL to be used for both read and write (where read uses CLKOS and write uses CLKOP).

PLL Attributes

The PLL utilizes several attributes that allow the configuration of the PLL through source constraints and a preference file. The following section details these attributes and their usage.

FIN

The input frequency can be any value within the specified frequency range based on the divider settings.

CLKI_DIV, CLKFB_DIV, CLKOP_DIV, CLKOK_DIV

These dividers determine the output frequencies of each output clock. The user is not allowed to input an invalid combination. Valid combinations are determined by the input frequency, the dividers, and the PLL specifications.

Note: Unlike PLLs in the LatticeECP™, LatticeEC™, LatticeXP™ and MachXO™ devices, the CLKOP divider values are the same whether or not CLKOS is used.

The CLKOP_DIV value is calculated to maximize the f_{VCO} within the specified range based on FIN and CLKOP_FREQ in conjunction with the CLKI_DIV and CLKFB_DIV values. These value settings are designed such that the output clock duty cycle is as close to 50% as possible. Table 9-4 shows the possible divider ranges.

Table 9-4. Divider Ranges

Attribute	Name	Value	Default
CLKI Divider Setting	CLKI_DIV	1 to 43	1
CLKFB Divider Setting	CLKFB_DIV	1 to 43	1
CLKOP Divider Setting	CLKOP_DIV	2, 4, 8, 16, 32, 48, 64, 80	8
CLKOK Divider Setting	CLKOK_DIV	2, 4, 6,..., 126, 128	2

FREQUENCY_PIN_CLKI, FREQUENCY_PIN_CLKOP, FREQUENCY_PIN_CLKOK

These input and output clock frequencies determine the divider values.

CLKOP Frequency Tolerance

When the desired output frequency is not achievable, users may enter the frequency tolerance of the clock output.

PHASEADJ (Phase Shift Adjust)

The PHASEADJ attribute is used to select Phase Shift for CLKOS output. The phase adjustment is programmable in 22.5° increments.

DUTY (Duty Cycle)

The DUTY attribute is used to select the Duty Cycle for CLKOS output. The Duty Cycle is programmable at 1/16th of the period increment. Steps 2 to 14 are supported. 1/16th and 15/16th duty cycles are not supported to avoid the minimum pulse width violation.

FB_MODE

There are three sources of feedback signals that can drive the CLKFB Divider: Internal, CLKOP (Clock Tree) and user clock. CLKOP (Clock Tree) feedback is used by default. Internal feedback takes the CLKOP output at CLKOP Divider output before the Clock Tree to minimize the feedback path delay. The user clock feedback is driven from the dedicated pin, clock pin or user-specified internal logic.

DUTY_TRIM Adjustment (Dynamic mode only)

Users can fine tune the duty cycle of CLKOP and/or CLKOS with the DUTY_TRIM feature when Dynamic PHASE/DUTY Adjustment is selected.

- TRIM Polarity Select: Users can select either rising edge or falling edge of clock to trim.
- TRIM Delay of CLKOP can be set to 0 to 7 steps of unit trim delay.
- TRIM Delay of CLKOS can be set to 0 to 3 steps of unit trim delay.

CLKOS/CLKOK/CLKOK2 Select

Users select these output clocks only when they are used in the design.

CLKOP/CLKOS/CLKOK BYPASS

These bypasses are enabled if set. CLKI is directly routed to its corresponding output clock.

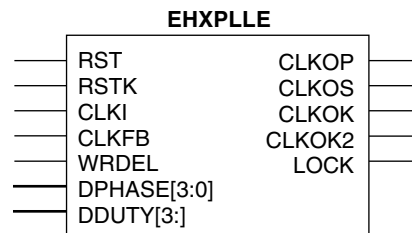
RST/RSTK Select

Users may select these reset signals only when they are used in the design.

LatticeXP2 PLL Primitive Definition

One PLL primitive is used for LatticeXP2 PLL implementation. Figure 9-6 shows the LatticeXP2 PLL primitive library symbols.

Figure 9-6. LatticeXP2 PLL Primitive Symbol



EPLLD Design Migration from LatticeECP2 to LatticeXP2

The EPLLD generated for LatticeECP2 can be used with minor changes. If the configuration does not include Dynamic Phase and Duty Options, the migration is fully supported. If Dynamic Phase and Duty Options are included, the user must tie the DPAMODE port to ground.

Dynamic Phase/Duty Mode

This mode sets both Dynamic Phase Adjustment and Dynamic Duty Select at the same time. There are two modes, "Dynamic Phase and Dynamic Duty" and "Dynamic Phase and 50% Duty".

Dynamic Phase and 50% Duty

This mode allows users to set up Dynamic Phase inputs only. The 50% Duty Cycle is handled internally by the isp-LEVER® software. The DDUTY[3:0] ports are user-transparent in this mode.

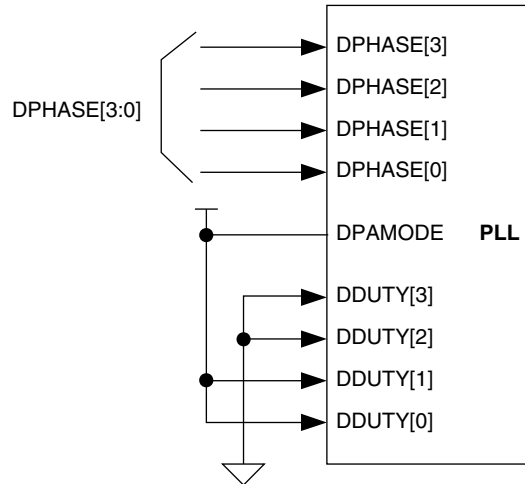
Dynamic Phase and Dynamic Duty

This mode allows designers to use both DDPHASE[3:0] and DDUTY[3:0] ports to input dynamic values.

To use Dynamic Phase Adjustment with a fixed duty cycle other than a 50%, simply set the DDUTY[3:0] inputs to the desired duty cycle value. Figure 9-7 illustrates an example circuit.

Example: Assume a design uses dynamic phase adjustment and a fixed duty cycle select and the desired duty cycle in 3/16th of a period. The setup should be as shown in Figure 9-7.

Figure 9-7. Example of Dynamic Phase Adjustment with a Fixed Duty Cycle of 3/16th of a Period



Dynamic Phase Adjustment/Duty Cycle Select

Phase Adjustment settings are described in Table 9-5.

Table 9-5. Phase Adjustment Settings

DPHASE[3:0]	Phase (°)
0000	0
0001	22.5
0010	45
0011	67.5
0100	90
0101	112.5
0110	135
0111	157.5
1000	180
1001	202.5
1010	225
1011	247.5
1100	270
1101	292.5
1110	315
1111	337.5

Duty Cycle Select settings are described in Table 9-6.

Table 9-6. Duty Cycle Select Settings

DDUTY[3:0]	Duty Cycle (1/16th of a Period)	Comment
0000	0	Not Supported
0001	1	Not Supported
0010	2	
0011	3	
0100	4	
0101	5	
0110	6	
0111	7	
1000	8	
1001	9	
1010	10	
1011	11	
1100	12	
1101	13	
1110	14	
1111	15	Not Supported

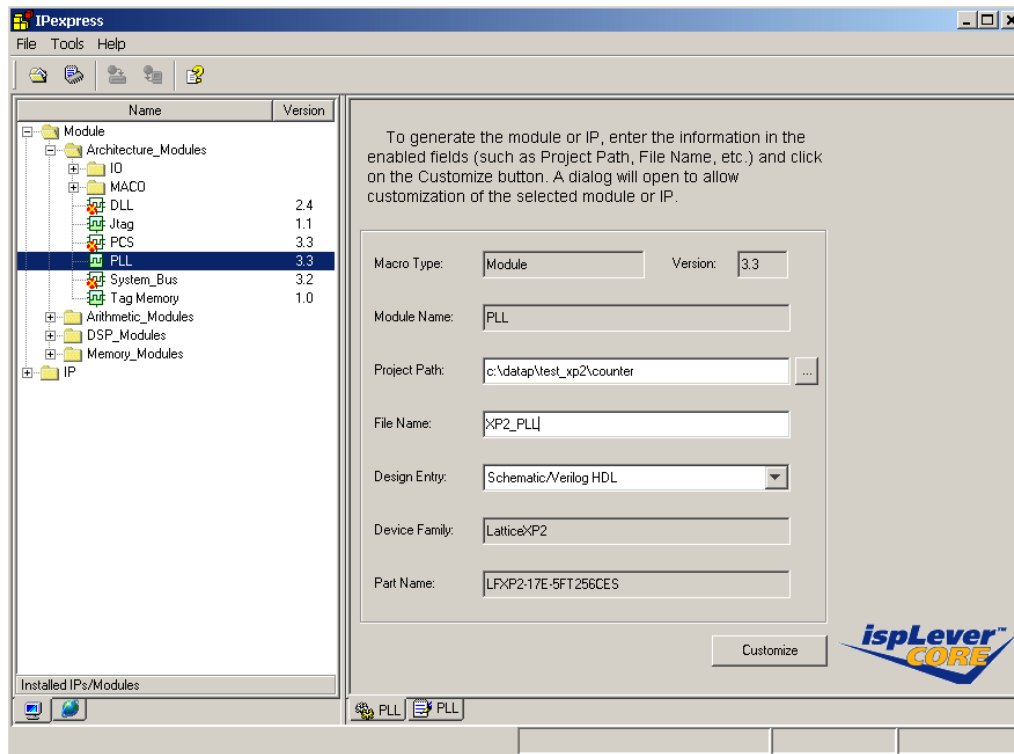
Note: PHASE/DUTY_CTLN is selected in the GUI 'PLL Phase & Duty Options' box and if it is set to 'Dynamic Mode', then both DPHASE[3:0] and DDUTY[3:0] inputs must be provided. If one of these inputs is a fixed value, the inputs must be tied to the desired fixed logic levels.

PLL Usage in IPexpress™

IPexpress is used to create and configure a PLL. The graphical user interface is used to select parameters for the PLL. The result is an HDL model to be used in the simulation and synthesis flow.

Figure 9-8 shows the main window when PLL is selected. The only entry required in this window is the module name. Other entries are set to the project settings. Users may change these entries, if desired. After entering the module name of choice, clicking on **Customize** will open the Configuration Tab window as shown in Figure 9.

Figure 9-8. IPexpress Main Window



Configuration Tab

The Configuration Tab lists all user accessible attributes with default values set. Upon completion, clicking **Generate** will generate source and constraint files. Users may choose to use the .lpc file to load parameters.

Configuration Modes

There are two modes that can be used to configure the PLL in the Configuration Tab, Frequency Mode and Divider Mode.

Frequency Mode: In this mode, the user enters input and output clock frequencies and the software calculates the divider settings. If the output frequency entered is not achievable the nearest frequency will be displayed in the 'Actual' text box. After input and output frequencies are entered, clicking the **Calculate** button will display the divider values.

Divider Mode: In this mode, the user sets the divider settings with input frequency. Users must choose the CLKOP Divider value to maximize the f_{VCO} and achieve optimum PLL performance. After input frequency and divider settings are set, clicking the **Calculate** button will display the frequencies. Figure 9-9 shows the Configuration Tab.

Figure 9-9. LatticeXP2 PLL Configuration Tab

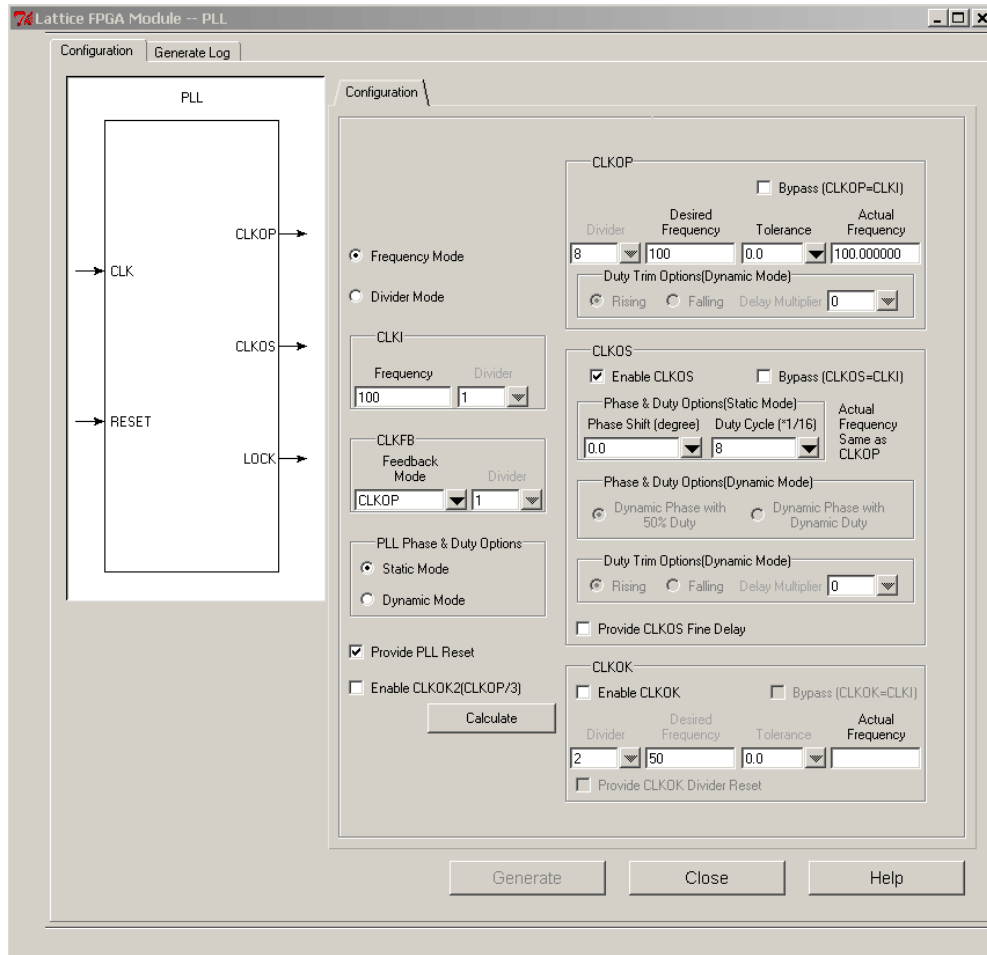


Table 9-7 describes the user parameters in the IPexpress GUI and their usage.

Table 9-7. User Parameters in the IPexpress GUI

User Parameters		Description	Range	Default
Frequency Mode		User desired CLKI and CLKOP frequency	ON/OFF	ON
Divider Mode		User desired CLKI frequency and dividers settings	ON/OFF	OFF
CLKI	Frequency	Input Clock frequency	10 MHz to 435 MHz	100 MHz
	Divider	Input Clock Divider Setting (Divider Mode)	1 to 43	1
CLKFB	Feedback Mode	Feedback Mode	Internal, CLKOP, User Clock	CLKOP
	Divider	Feedback Clock Divider Setting (Divider Mode)	1 to 43	1
PLL Phase & Duty Options	None	No Phase & Duty Options	ON/OFF	ON
	Static Mode	CLKOS Phase/Duty in Static Mode	ON/OFF	OFF
	Dynamic Mode	CLKOS Dynamic Mode Phase/Duty Setting	ON/OFF	OFF
		CLKOS Duty Trimming	ON/OFF	OFF
	CLKOP Duty Trimming	ON/OFF	OFF	

Table 9-7. User Parameters in the IPexpress GUI (Continued)

User Parameters		Description	Range	Default
CLKOP	Bypass	Bypass PLL: CLKOP = CLKI	ON/OFF	OFF
	Desired Frequency	User enters desired CLKOP frequency	10 MHz to 435 MHz	100 MHz
	Divider	CLKOP Divider Setting (Divider Mode)	2, 4, 8, 16, 32, 48, 64, 80	8
	Tolerance	CLKOP tolerance users can tolerate	0.0, 0.1, 0.2, 0.5, 0.1, 0.2, 0.5, 1.0	0.0
	Actual Frequency	Actual frequency achievable. Read only	—	—
	Rising	Rising Edge Trim	ON/OFF	OFF
	Falling	Falling Edge Trim	ON/OFF	OFF
	Delay Multiplier	Number of delay steps	0 to 7	0
CLKOS	Enable	Enable CLKOS output clock	ON/OFF	OFF
	Bypass	Bypass PLL: CLKOS = CLKI	ON/OFF	OFF
	Phase Shift	CLKOS Static Phase Shift	0°, 22.5°, 45°..337.5°	0°
	Rising	Rising Edge Trim	ON/OFF	OFF
	Delay Multiplier	Number of Delay steps	0 to 7	0
CLKOK	Enable	Enable CLKOS output clock	ON/OFF	OFF
	Bypass	Bypass PLL: CLKOK = CLKI	ON/OFF	OFF
	Frequency	User enters desired CLKOK frequency	78.125 kHz to 217.5 MHz	50 MHz
	Divider	CLKOK Divider Setting	2 to 128	2
	Tolerance	CLKOK tolerance users can tolerate	0.0, 0.1, 0.2, 0.5, 0.1, 0.2, 0.5, 1.0	0.00
	Actual Frequency	Actual frequency achievable. Read only	—	—
CLKOK2	Enable	Enable CLKOK2 output clock	ON/OFF	OFF
Provide PLL Reset		Provide PLL Reset Port (RESET)	ON/OFF	OFF
Provide CLKOK Divide Reset		Provide CLKOK Reset Port (RSTK)	ON/OFF	OFF
Provide CLKOS Fine Delay Port		Provide CLKOS Fine Delay Port (WRDEL)	ON/OFF	OFF
Import LPC to ispLEVER Project		Import .lpc file to ispLEVER project	ON/OFF	OFF

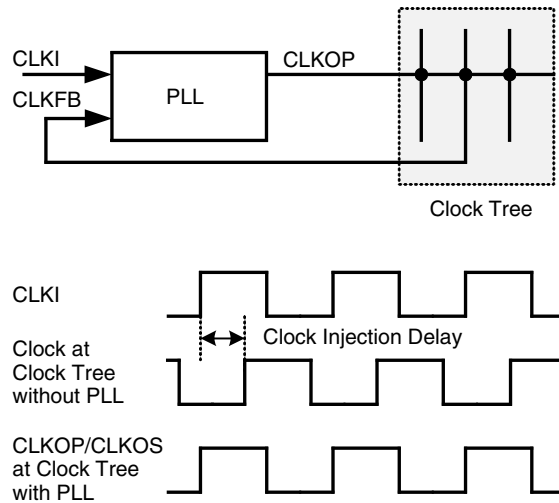
PLL Modes of Operation

PLLs have many uses within a logic design. The two most popular are Clock Injection Removal and Clock Phase Adjustment. These two modes of operation are described below.

PLL Clock Injection Removal

In this mode the PLL is used to reduce clock injection delay. Clock injection delay is the delay from the input pin of the device to a destination element such as a flip-flop. The phase detector of the PLL aligns the CLKI with CLKFB. If the CLKFB signal comes from the clock tree (CLKOP), then the PLL delay and the clock tree delay is removed. Figure 9-10 illustrates an example block diagram and waveform.

Figure 9-10. Clock Injection Delay Removal Application

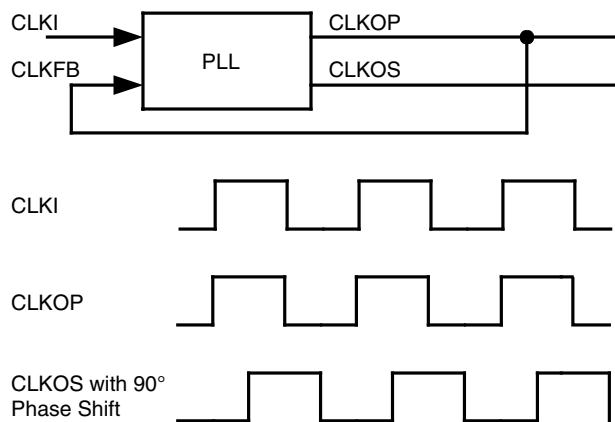


PLL Clock Phase Adjustment

In this mode the PLL is used to create fixed phase relationships in 22.5° increments. Creating fixed phase relationships is useful for forward clock interfaces where a specific relationship between clock and data is required.

The fixed phase relationship can be used between CLKI and CLKOS or between CLKOP and CLKOS.

Figure 9-11. CLKOS Phase Adjustment from CLKOP



IPexpress Output

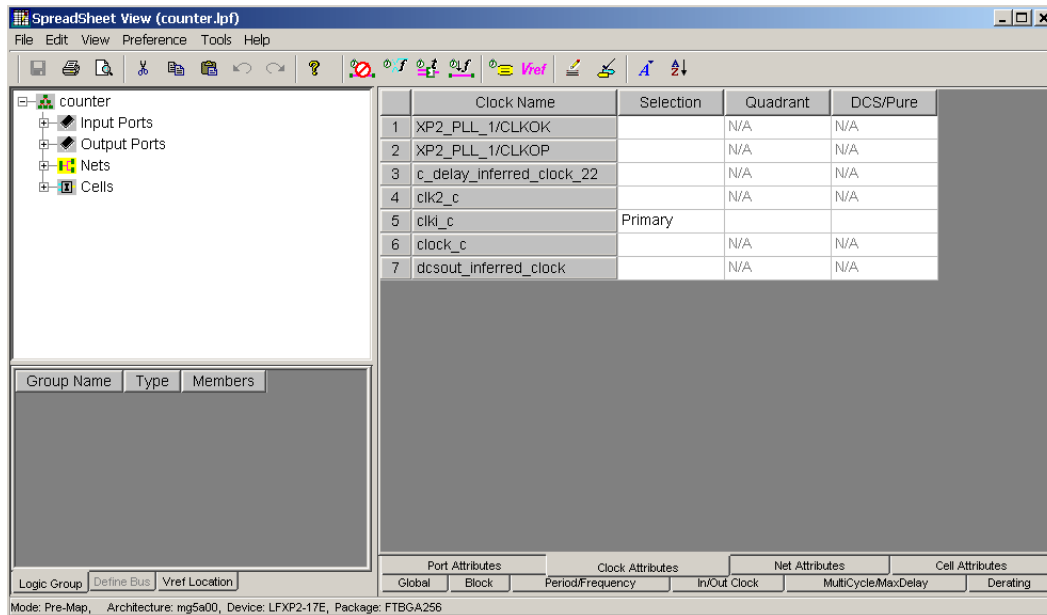
There are two IPexpress outputs that are important for use in the design. The first is the <module_name>.[v|h]d file. This is the user-named module that was generated by the tool to be used in both synthesis and simulation flows. The second is a template file, <module_name>_tmpl.[v|h]d. This file contains a sample instantiation of the module. This file is provided for the user to copy/paste the instance and is not intended to be used in the synthesis or simulation flows directly.

For the PLL, IPexpress sets attributes in the HDL module that are specific to the data rate selected. Although these attributes can be easily changed, they should only be modified by re-running the GUI so that the performance of the PLL is maintained. After the map stage in the design flow, FREQUENCY preferences will be included in the preference file to automatically constrain the clocks produced from the PLL.

Use of the Pre-Map Preference Editor

Clock preferences can be set in the Pre-Map Preference Editor. Figure 9-12 shows an example screen shot. The Pre-Map Preference Editor is a part of the ispLEVER Design Planner.

Figure 9-12. Pre-Map Preference Editor Example



Clock Dividers (CLKDIV)

The clock divider divides the high-speed clock by 1, 2, 4 or 8. All the outputs have matched input to output delay. CLKDIV can take as its input the edge clocks and the CLKOP of the PLL. The divided outputs drive the primary clock and are also available for general routing or secondary clocks. The clock dividers are used for providing the low speed FPGA clocks for shift registers (x2, x4, x8) and DDR/SPI4 I/O logic interfaces.

CLKDIV Primitive Definition

Users can instantiate CLKDIV in the source code as defined in this section. Figure 9-13 and Tables 9-8 and 9-9 describe the CLKDIVB definitions.

Figure 9-13. CLKDIV Primitive Symbol

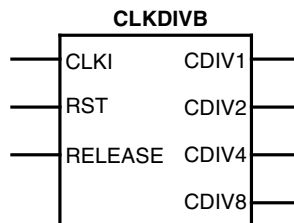


Table 9-8. CLKDIVB Port Definition

Name	Description
CLKI	Clock Input
RST	Reset Input, asynchronously forces all outputs low.
RELEASE	Releases outputs synchronously to input clock.
CDIV1	Divided BY 1 Output
CDIV2	Divided BY 2 Output
CDIV4	Divided BY 4 Output
CDIV8	Divided BY 8 Output

Table 9-9. CLKDIVB Attribute Definition

Name	Description	Value	Default
GSR	GSR Enable	ENABLED/DISABLED	DISABLED

CLKDIV Declaration in VHDL Source Code

```

COMPONENT CLKDIVB
-- synthesis translate_off
  GENERIC (
    GSR : in String);
-- synthesis translate_on
  PORT (
    CLKI,RST, RELEASE:IN    std_logic;
    CDIV1, CDIV2, CDIV4, CDIV8:OUT  std_logic);
END COMPONENT;

attribute GSR : string;
attribute GSR of CLKDIVinst0 : label is "DISABLED";

begin

CLKDIVinst0:          CLKDIVB
-- synthesis translate_off
  GENERIC MAP(
    GSR          => "disabled"
  );
-- synthesis translate_on
  PORT MAP(
    CLKI          => CLKIsig,
    RST           => RSTsig,
    RELEASE       => RELEASEsig,
    CDIV1         => CDIV1sig,
    CDIV2         => CDIV2sig,
    CDIV4         => CDIV4sig,
    CDIV8         => CDIV8sig
  );

```

CLKDIV Usage with Verilog - Example

```

module clkdiv_top(RST,CLKI,RELEASE,CDIV1,CDIV2,CDIV4,CDIV8);

input CLKI,RST,RELEASE;
output CDIV1,CDIV2,CDIV4,CDIV8;

CLKDIVB CLKDIBinst0 (.RST(RST),.CLKI(CLKI),.RELEASE(RELEASE),
    .CDIV1(CDIV1),.CDIV2(CDIV2),.CDIV4(CDIV4),.CDIV8(CDIV8));

defparam CLKDIBinst0.GXR = "DISABLED";

endmodule

```

CLKDIV Example Circuits

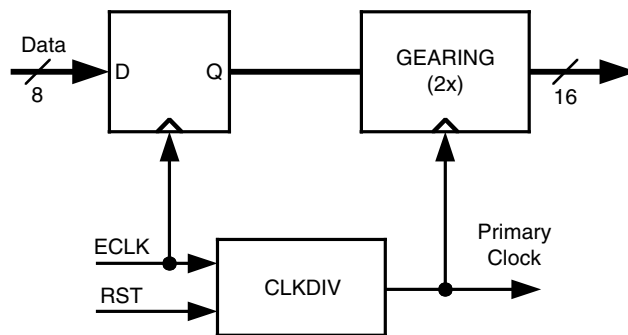
The clock divider (CLKDIV) can divide a clock by 2 or 4 and drives a primary clock network. Clock dividers are useful for providing the low speed FPGA clocks for I/O shift registers (x2, x4) and DDR (x2, x4) I/O logic interfaces. Divide by 8 is provided for slow speed/low power operation.

To guarantee a synchronous transfer in the I/O logic the CLKDIV input clock must come from an edge clock and the output drive from a primary clock. In this case, they are phase matched.

It is especially useful to synchronously reset the I/O logic when Mux/DeMux gearing is used in order to synchronize the entire data bus as shown in Figure 9-14. Using the low skew characteristics of the edge clock routing a reset can be provided to all bits of the data bus to synchronize the Mux/DeMux gearing.

The second circuit shows that a DLL can replace CLKDIV for x2 and x4 applications.

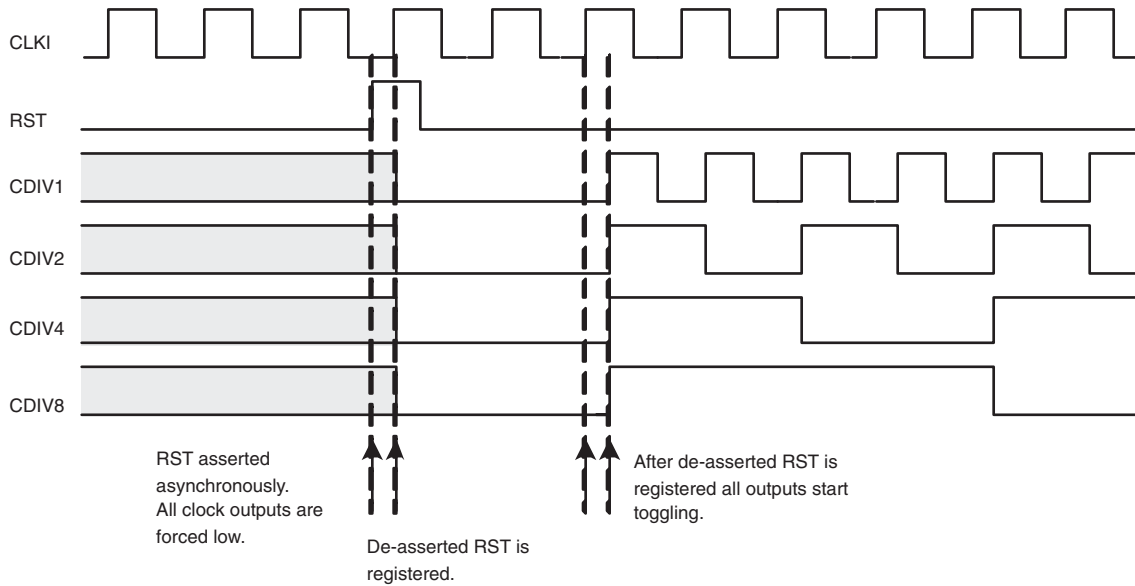
Figure 9-14. CLKDIV Application Example



Reset Behavior

Figure 9-15 illustrates the asynchronous RST behavior.

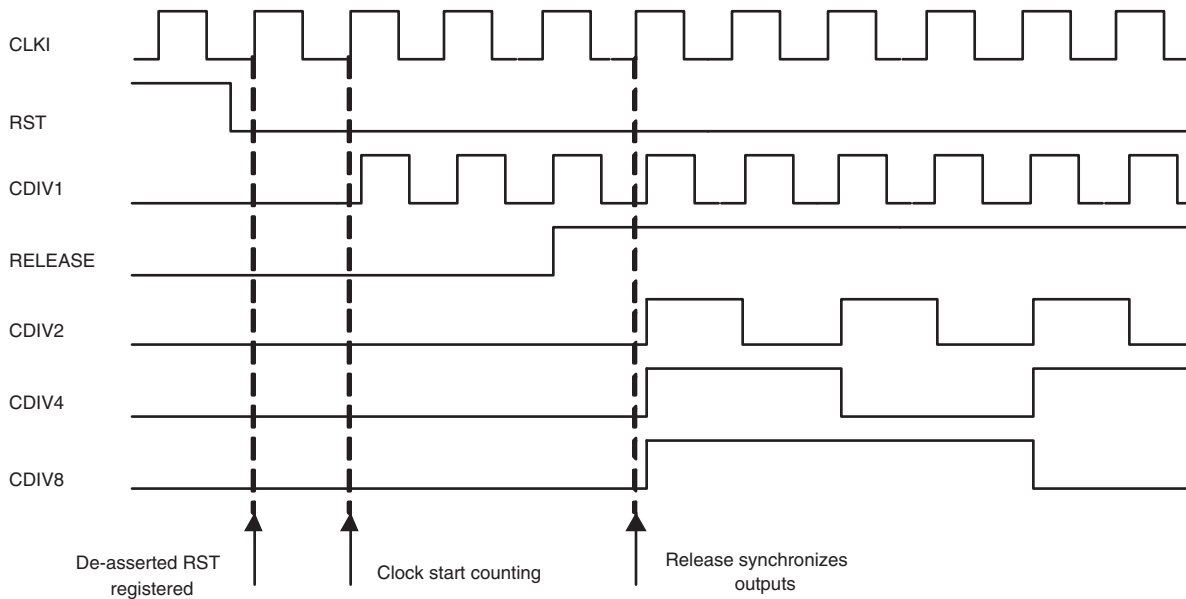
Figure 9-15. CLKDIV Reset Behavior



Release Behavior

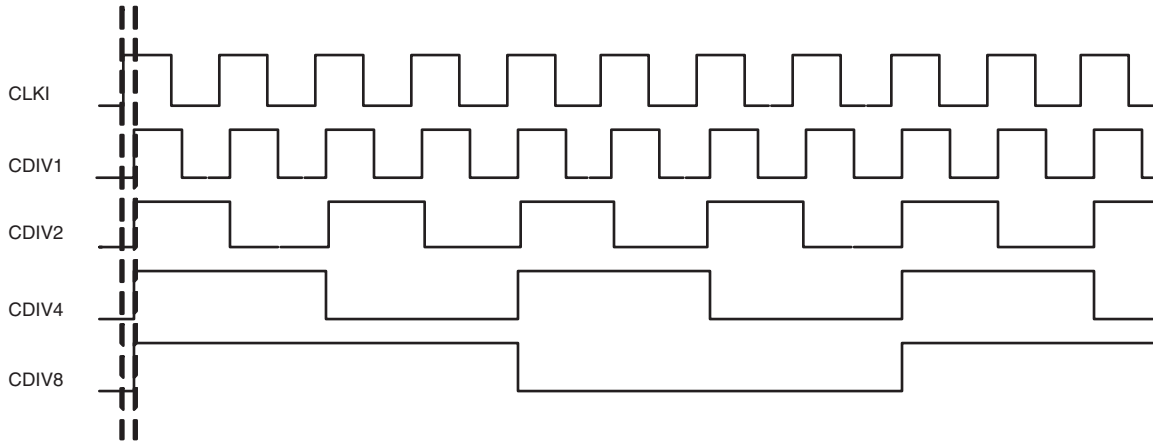
The port, “Release” is used to synchronize the all outputs after RST is de-asserted. Figure 9-16 Illustrates the release behavior.

Figure 9-16. CLKDIV Release Behavior



CLKDIV Inputs-to-Outputs Delay Matching

Figure 9-17. CLKDIV Inputs-to-Outputs Delay Matching

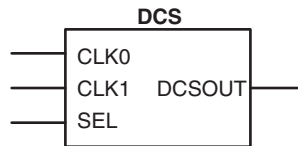


DCS (Dynamic Clock Select)

DCS is a global clock buffer incorporating a smart multiplexer function that takes two independent input clock sources and avoids glitches or runt pulses on the output clock, regardless of where the enable signal is toggled. There are two DCSs for each quadrant.

The outputs of the DCS then reach primary clock distribution via the feedlines. Figure 9-18 shows the block diagram of the DCS.

Figure 9-18. DCS Primitive Symbol



DCS Primitive Definition

Table 9-10 defines the I/O ports of the DCS block. There are eight modes to select from. Table 9-11 describes how each mode is configured.

Table 9-10. DCS I/O Definition

I/O	Name	Description
Input	SEL	Input Clock Select
	CLK0	Clock input 0
	CLK1	Clock Input 1
Output	DCSOUT	Clock Output

Table 9-11. DCS Modes of Operation

Attribute Name	Description	Output		Value
		SEL=0	SEL=1	
DCS MODE	Rising edge triggered, latched state is high	CLK0	CLK1	POS
	Falling edge triggered, latched state is low	CLK0	CLK1	NEG
	Sel is active high, Disabled output is low	0	CLK1	HIGH_LOW
	Sel is active high, Disabled output is high	1	CLK1	HIGH_HIGH
	Sel is active low, Disabled output is low	CLK0	0	LOW_LOW
	Sel is active low, Disabled output is high	CLK0	1	LOW_HIGH
	Buffer for CLK0	CLK0	CLK0	CLK0
	Buffer for CLK1	CLK1	CLK1	CLK1

DCS Timing Diagrams

Each mode performs a unique operation. The clock output timing is determined by input clocks and the edge of the SEL signal. Figure 9-19 describes the timing of each mode.

Figure 9-19. Timing Diagrams by DCS MODE

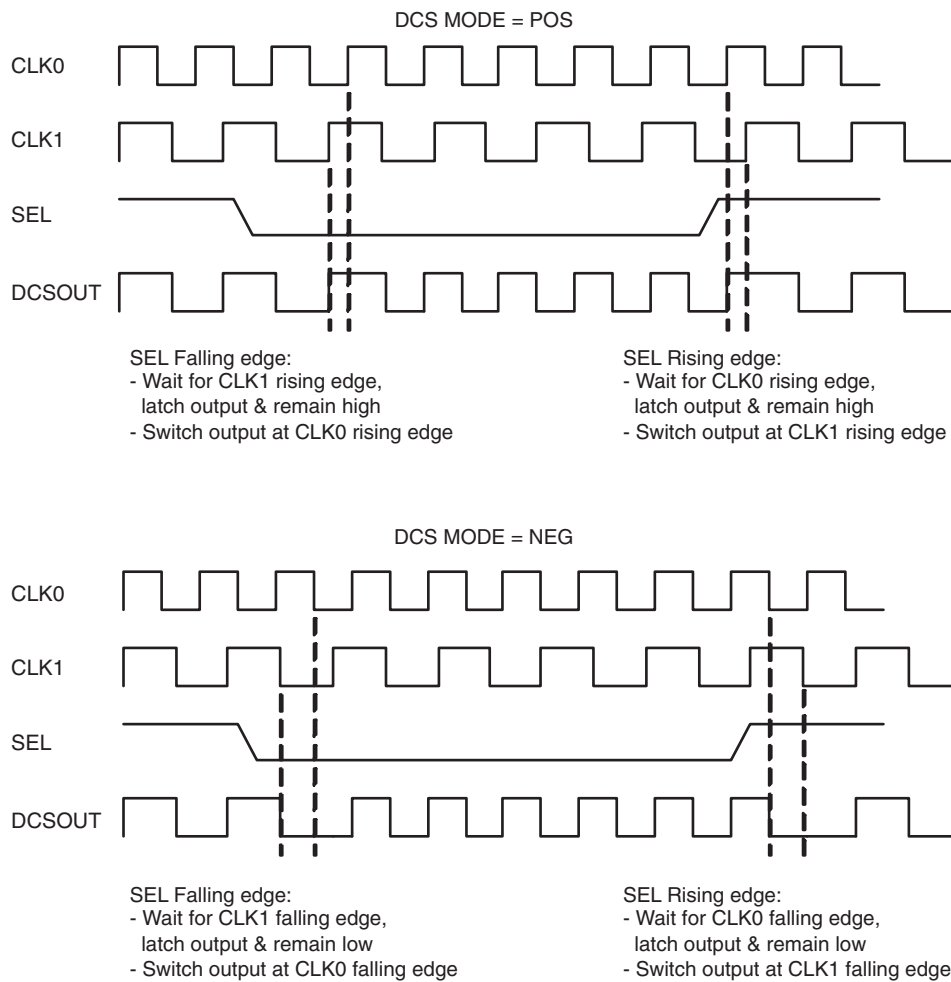
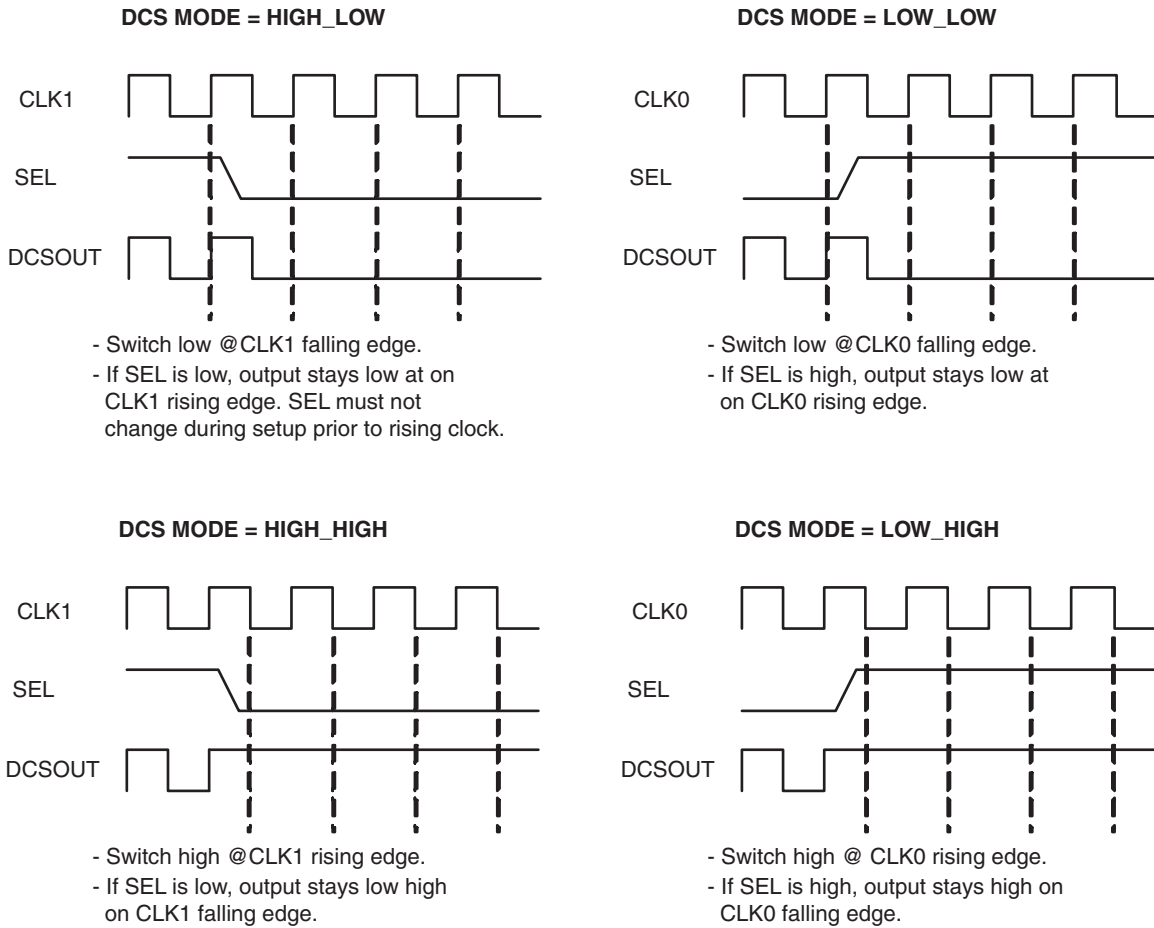


Figure 9-20. Timing Diagrams by DCS MODE (Cont.)



DCS Usage with VHDL - Example

```

COMPONENT DCS
-- synthesis translate_off
    GENERIC (
        DCSMODE : string := "POS"
    );
-- synthesis translate_on

    PORT (

END COMPONENT;

attribute DCSMODE : string;
attribute DCSMODE of DCSinst0 : label is "POS";

begin

DCSinst0: DCS
-- synthesis translate_off

    GENERIC MAP (

```

```

        DCSMODE => "POS"
    )
    -- synthesis translate_on

    PORT MAP (
        SEL           => clksel,
        CLK0          => dcsclk0,
        CLK1          => sysclk1,
        DCSOUT        => dcsclk
    );

```

DCS Usage with Verilog - Example

```

module dcs(clk0,clk1,sel,dcsout);

input clk0, clk1, sel;
output dcsout;

DCS DCSInst0 (.SEL(sel),.CLK0(clk0),.CLK1(clk1),.DCSOUT(dcsout));
defparam DCSInst0.DCSMODE = "CLK0";

endmodule

```

Oscillator (OSCE)

There is a dedicated oscillator in the LatticeXP2 device whose output is made available for users.

The oscillator frequency output is routed through a divider which is used as an input clock to the clock tree. The available outputs of the divider are shown in Table 9-13. The oscillator frequency output can be further divided by internal logic (user logic) for lower frequencies, if desired. The oscillator is powered down when not in use.

The output of this oscillator is not a precision clock. It is intended as an extra clock that does not require accurate clocking.

Primitive Name: OSCE

Table 9-12. OSCE Port Definition

I/O	Name	Description
Output	OSC	Oscillator Clock Output

Table 9-13. OSCE Attribute Definition

User Attribute	Attribute Name	Value (MHz)	Default Value
Nominal Frequency	NOM_FREQ	2.5, 3.14, 4.3, 5.4, 6.9, 8.1, 9.2, 10, 13, 15, 20, 26, 32, 40, 54, 80, 163	2.5

OSC Primitive Symbol (OSCE)

Figure 9-21. OSC Symbol



OSC Usage with VHDL - Example

```
COMPONENT OSCE

    PORT (OSC:OUT    std_logic);

END COMPONENT;
begin
OSCInst0: OSCE
    PORT MAP ( OSC=>  osc_int);
```

OSC Usage with Verilog - Example

```
module OSC_TOP(OSC_CLK);

output OSC_CLK;

OSCE OSCinst0 (.OSC(OSC_CLK));

endmodule
```

Setting Clock Preferences

Designers can use clock preferences to implement clocks to the desired performance. Preferences can be set in the Pre-Map Preference Editor (Design Planner) or in preference files. Frequently used preferences are described in Appendix C.

Power Supplies

Each PLL has its own power supply pin, VCCPLL. Since VCCAUX and VCCPLL are normally the same 3.3V, it is recommended that they are driven from the same power supply on the circuit board, thus minimizing leakage. In addition, each of these supplies should be independently isolated from the main 3.3V supply on the board using proper board filtering techniques to minimize the noise coupling between them.

Technical Support Assistance

Hotline: 1-800-LATTICE (North America)
+1-503-268-8001 (Outside North America)
e-mail: techsupport@latticesemi.com
Internet: www.latticesemi.com

Revision History

Date	Version	Change Summary
February 2007	01.0	Initial release.
February 2010	01.1	Reconciled LOCK description among MachXO, LatticeXP2, LatticeECP2/M and LatticeECP3.

Appendix A. Primary Clock Sources and Distribution

Figure 9-22. LatticeXP2 Primary Clock Sources and Distribution

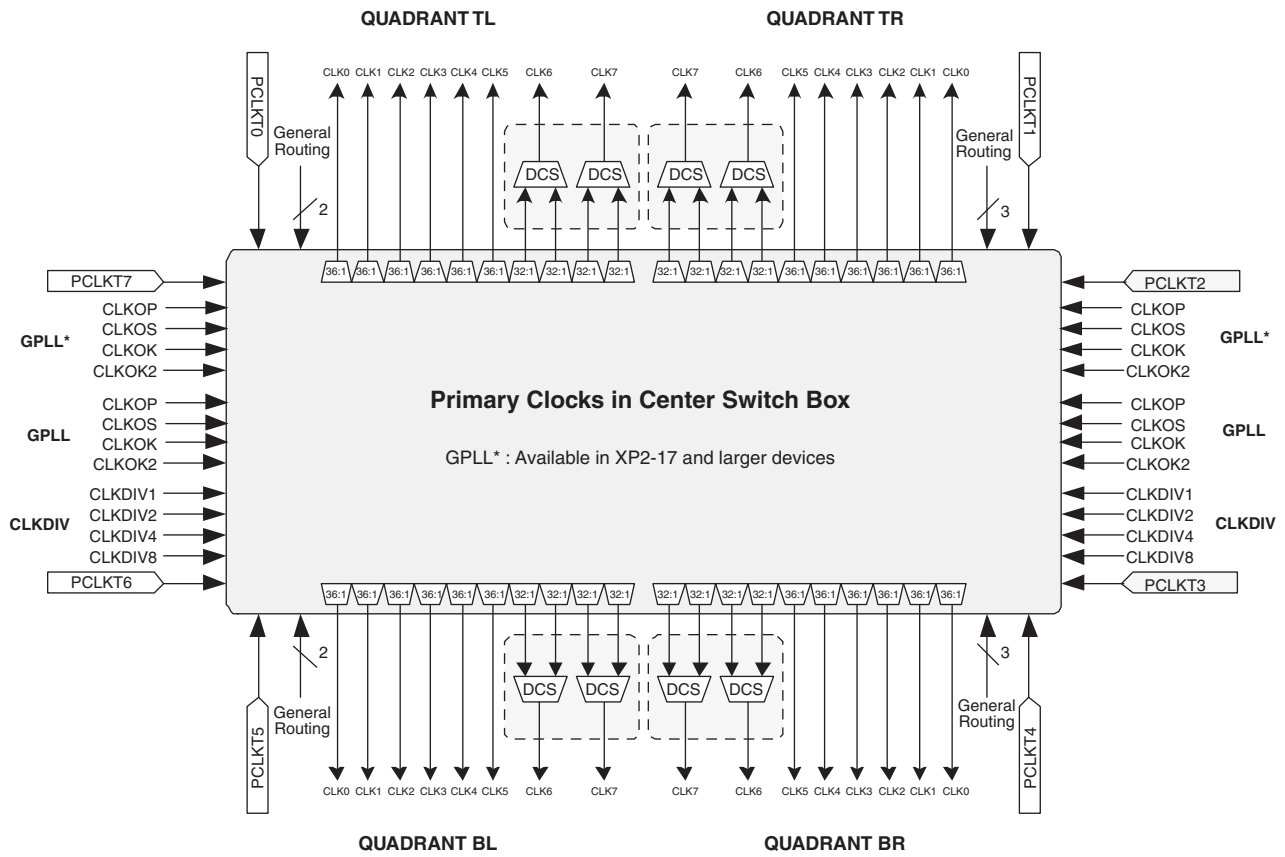
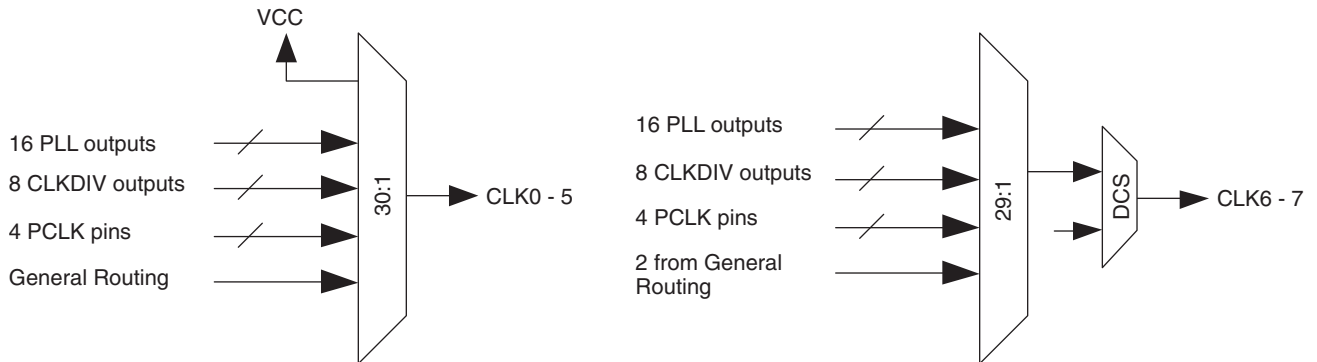


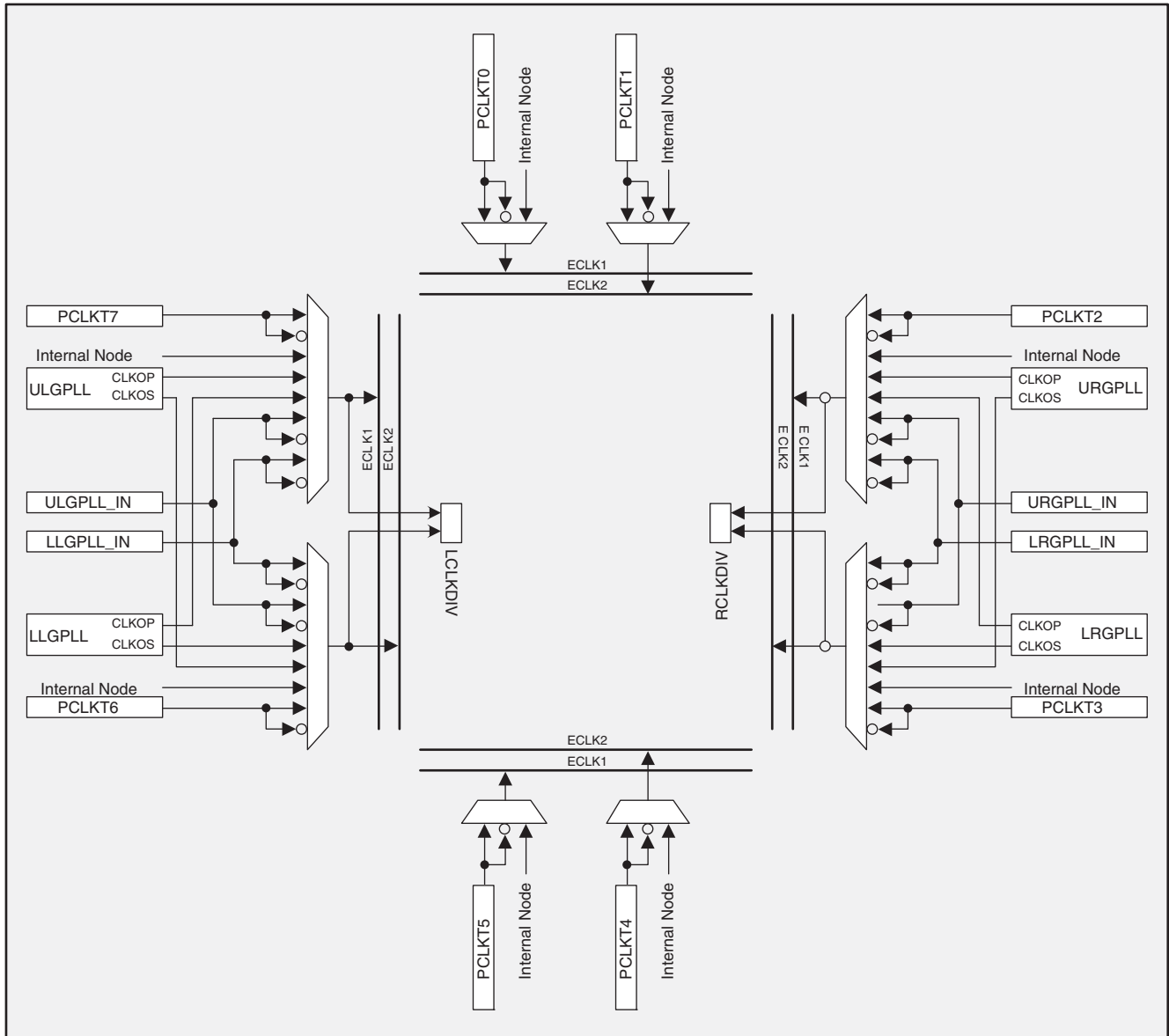
Figure 9-23. LatticeXP2 Primary Clock Muxes



Appendix B. PLL, CLKDIV and ECLK Locations and Connectivity

Figure 9-24 shows the locations, site names and connectivity of the PLLs, CLKDIVs and ECLKs

Figure 9-24. PLL, CLKDIV and ECLK Locations and Connectivity



Appendix C. Clock Preferences

A few key clock preferences are introduced below. Refer to the 'Help' file for other preferences and detailed information.

ASIC

The following preference command assigns a phase of 90 degrees to the CIMDLLA CLKOP.

```
ASIC "my_dll" TYPE "CIMDLLA" CLKOP_PHASE=90;
```

FREQUENCY

The following physical preference command assigns a frequency of 100 MHz to a net named clk1:

```
FREQUENCY NET "clk1" 100 MHz;
```

The following preference specifies a hold margin value for each clock domain:

```
FREQUENCY NET "RX_CLKA_CMOS_c" 100.000 MHz HOLD_MARGIN 1 ns;
```

MAXSKEW

The following command assigns a maximum skew of 5 nanoseconds to a net named NetB:

```
MAXSKEW NET "NetB" 5 NS;
```

MULTICYCLE

The following command will relax the period to 50 nanoseconds for the path starting at COMPA to COMPB (NET1):

```
MULTICYCLE "PATH1" START COMP "COMPA" END COMP "COMPB" NET "NET1" 50 NS ;
```

PERIOD

The following command assigns a clock period of 30 nanoseconds to the port named Clk1:

```
PERIOD PORT "Clk1" 30 NS;
```

PROHIBIT

This command prohibits the use of a primary clock to route a clock net named bf_clk:

```
PROHIBIT PRIMARY NET "bf_clk";
```

USE PRIMARY

Use a primary clock resource to route the specified net:

```
USE PRIMARY NET clk_fast;
```

```
USE PRIMARY DCS NET "bf_clk";
```

```
USE PRIMARY PURE NET "bf_clk" QUADRANT_TL;
```

USE SECONDARY

Use a secondary clock resource to route the specified net:

```
USE SECONDARY NET "clk_lessfast" QUADRANT_TL;
```

USE EDGE

Use a edge clock resource to route the specified net:

```
USE_EDGE NET "clk_fast";
```

CLOCK_TO_OUT

Specifies a maximum allowable output delay relative to a clock.

Here are two preferences using both the CLKPORT and CLKNET keywords showing the corresponding scope of TRACE reporting.

The CLKNET will stop tracing the path before the PLL, so you will not get PLL compensation timing numbers.

```
CLOCK_TO_OUT PORT "RxAddr_0" 6.000000 ns CLKNET "pll_rxclk" ;
```

The above preference will yield the following clock path:

Clock path pll_inst/pll_utp_0_0 to PFU_33:

Name	Fanout	Delay (ns)	Site	Resource
ROUTE	49	2.892	ULPPLL.MCLK to	R3C14.CLK0 pll_rxclk

	2.892	(0.0% logic, 100.0% route), 0 logic levels.		

If CLKPORT is used, the trace is complete back to the clock port resource and provides PLL compensation timing numbers.

```
CLOCK_TO_OUT PORT "RxAddr_0" 6.000000 ns CLKPORT "RxClk" ;
```

The above preference will yield the following clock path:

Clock path RxClk to PFU_33:

Name	Fanout	Delay (ns)	Site	Resource
IN_DEL	---	1.431	D5.PAD to	D5.INCK RxClk
ROUTE	1	0.843	D5.INCK to	ULPPLL.CLKIN RxClk_c
MCLK_DEL	---	3.605	ULPPLL.CLKIN to	ULPPLL.MCLK pll_inst/pll_utp_0_0
ROUTE	49	2.892	ULPPLL.MCLK to	R3C14.CLK0 pll_rxclk

	8.771	(57.4% logic, 42.6% route), 2 logic levels.		

INPUT_SETUP

Specifies an setup time requirement for input ports relative to a clock net.

```
INPUT_SETUP PORT "datain" 2.000000 ns HOLD 1.000000 ns CLKPORT "clk"  
PLL_PHASE_BACK ;
```

PLL_PHASE_BACK

This preference is used with INPUT_SETUP when a user needs a trace calculation based on the previous clock edge.

This preference is useful when setting the PLL output phase adjustment. Since there is no negative phase adjustment provided, the PLL_PHASE_BACK preference works as if negative phase adjustment is available.

For example:

If phase adjustment of -90° of CLKOS is desired, a user can set the Phase to 270° and set the INPUT_SETUP preference with PLL_PHASE_BACK.

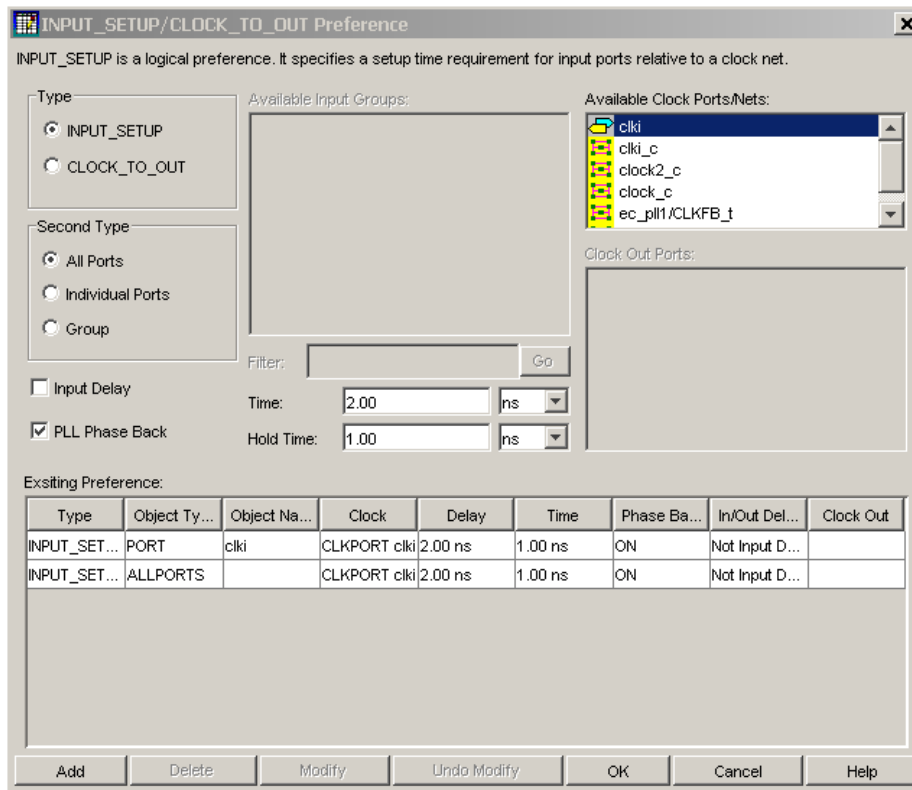
PLL_PHASE_BACK Usage in Pre-Map Preference Editor

The Pre-Map Preference Editor can be used to set the PLL_PHASE_BACK attribute.

1. Open the Design Planner (Pre-Map).
2. In the Design Planner control window, select **View -> Spreadsheet View**.
3. In the Spreadsheet View window, select **Input_setup/Clock_to_out...**

The INPUT_SETUP/CLOCK_TO_OUT Preference window is shown in Figure 9-25.

Figure 9-25. INPUT_SETUP/CLOCK_TO_OUT Preference Window



Introduction

This technical note discusses memory usage for the LatticeXP2™ device family. It is intended to be used by design engineers as a guide for integrating the User TAG, EBR- (Embedded Block RAM) and PFU-based memories in this device family using the ispLEVER® design tool.

The architecture of these devices provides resources for FPGA on-chip memory applications. The sysMEM™ EBR complements the distributed PFU-based memory. Single-Port RAM, Dual-Port RAM, Pseudo Dual-Port RAM, FIFO and ROM memories can be constructed using the EBR. LUTs and PFU can implement Distributed Single-Port RAM, Dual-Port RAM and ROM. User TAG memories in varying sizes, depending on the specific chip, are also on the device.

The capabilities of the User TAG memory, EBR RAM and PFU RAM are referred to as primitives and are described later in this document. Designers can utilize the memory primitives in two ways via the IPexpress™ tool in the ispLEVER software. The IPexpress GUI allows users to specify the memory type and size required. IPexpress takes this specification and constructs a netlist to implement the desired memory by using one or more of the memory primitives.

The remainder of this document discusses the use of IPexpress, memory modules and memory primitives.

Memories in LatticeXP2 Devices

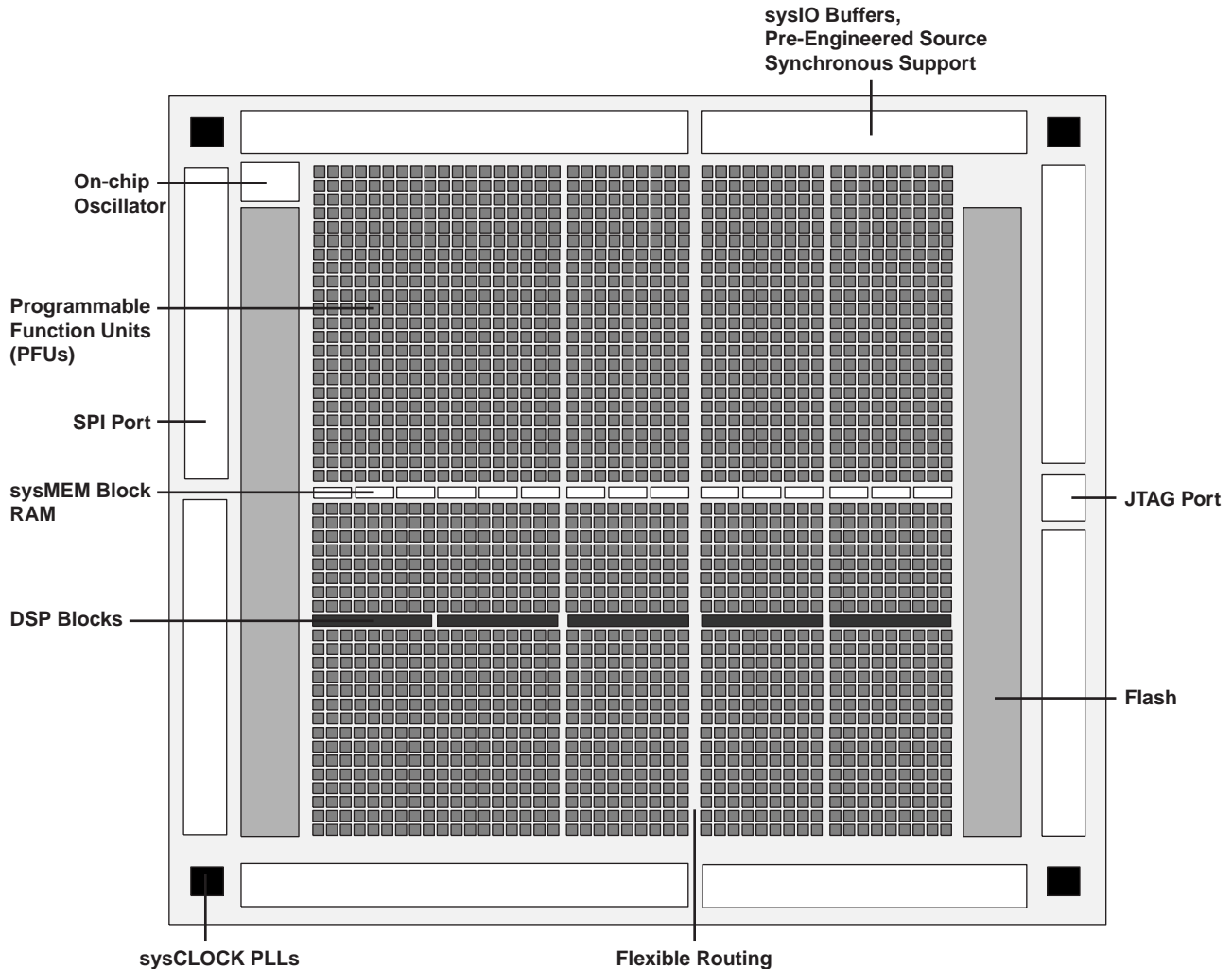
There are two kinds of logic blocks, the Programmable Functional Unit (PFU) and Programmable Functional Unit without RAM (PFF). The PFU contains the building blocks for logic, arithmetic, RAM, ROM and register functions. The PFF block contains building blocks for logic, arithmetic and ROM functions. Both PFU and PFF blocks are optimized for flexibility allowing complex designs to be implemented quickly and efficiently. Logic Blocks are arranged in a two-dimensional array. Only one type of block is used per row.

The LatticeXP2 family of devices contains up to two rows of sysMEM EBR blocks. sysMEM EBRs are large, dedicated 18K fast memory blocks. Each sysMEM block can be configured in a variety of depths and widths of RAM or ROM. Each LatticeXP2 device also contains one dedicated row of User TAG memory with up to 451 bytes of space.

Table 10-1. LatticeXP2 LUT and Memory Densities

Parameter	XP2-5	XP2-8	XP2-17	XP2-30	XP2-40
EBR Rows	1	1	1	1	2
EBR Blocks	9	12	15	21	48
EBR Bits	165888	221184	276480	387072	884736
Distributed RAM Bits	10368	18432	34560	64512	82944
Total Memory Bits	176256	239616	311040	451584	967680

Figure 10-1. Simplified Block Diagram, LatticeXP2 Device (Top Level)



Utilizing IPexpress

Designers can utilize IPexpress to easily specify a variety of memories in their designs. These modules are constructed using one or more memory primitives along with general purpose routing and LUTs, as required. The available primitives are:

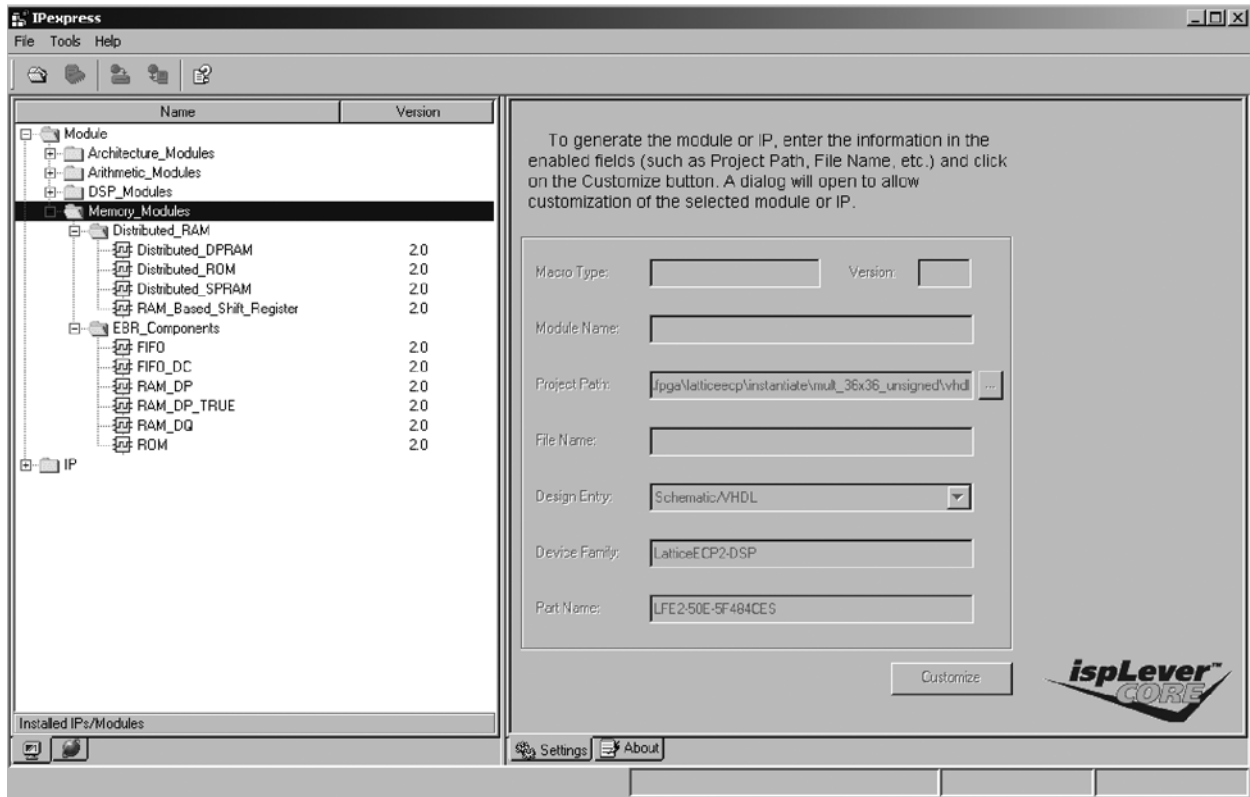
- Single Port RAM (RAM_DQ) – EBR-based
- Dual PORT RAM (RAM_DP_TRUE) – EBR-based
- Pseudo Dual Port RAM (RAM_DP) – EBR-based
- Read Only Memory (ROM) – EBR-Based
- First In First Out Memory (Dual Clock) (FIFO_DC) – EBR-based
- Distributed Single Port RAM (Distributed_SPRAM) – PFU-based
- Distributed Dual Port RAM (Distributed_DPRAM) – PFU-based
- Distributed ROM (Distributed_ROM) – PFU/PFF-based
- User TAG memory (SSPIA) – TAG-based

IPexpress Flow

For generating any of these memories, create (or open) a project for the LatticeXP2 devices.

From the Project Navigator, select **Tools > IPexpress** or click on the button in the toolbar when LatticeXP2 devices are targeted in the project. This opens the IPexpress main window as shown in Figure 10-2.

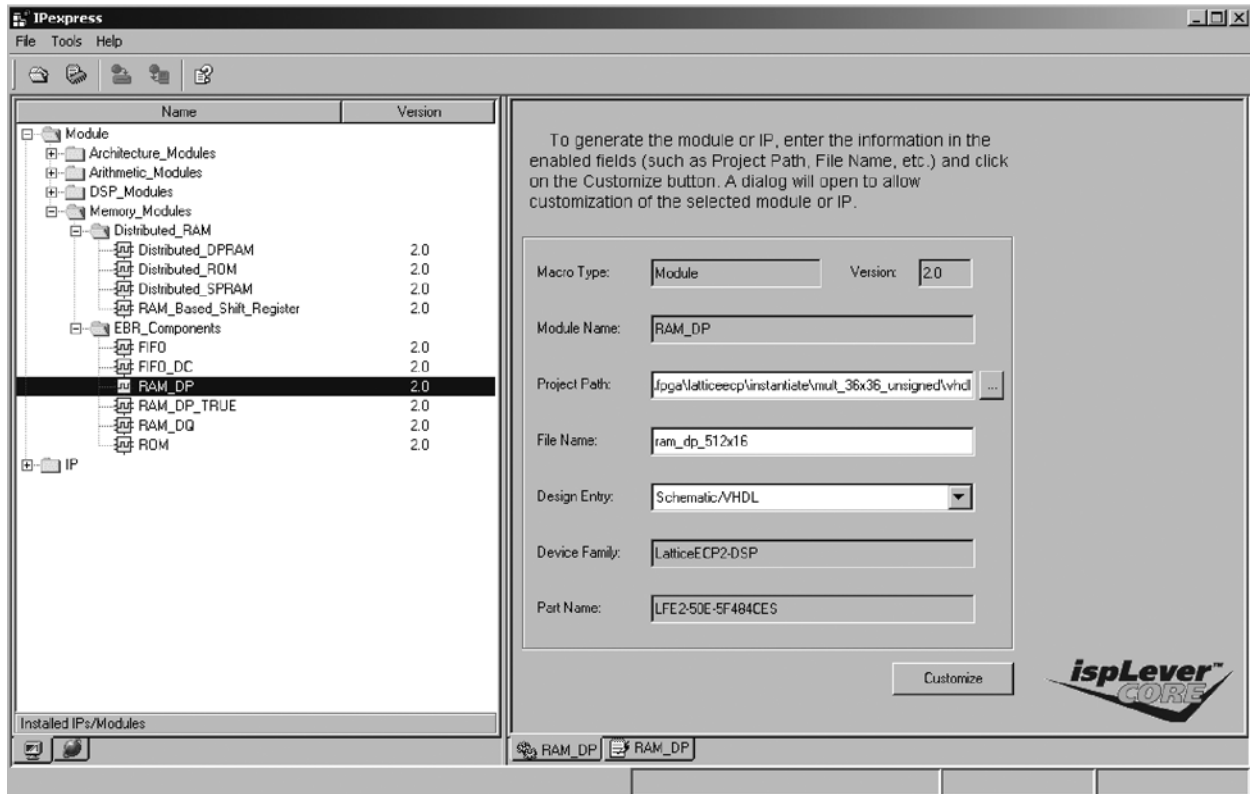
Figure 10-2. IPexpress - Main Window



The left pane of this window includes the Module Tree. The EBR-based Memory Modules are under the **EBR_Components** and the PFU-based Distributed Memory Modules are under **Storage_Components**, as shown in Figure 10-2.

As an example, let us consider generating an EBR-based Pseudo Dual Port RAM of size 512x16. Select **RAM_DP** under **EBR_Components**. The right pane changes as shown in Figure 10-3.

Figure 10-3. Example Generating Pseudo Dual Port RAM (RAM_DP) Using IPexpress



In the right pane, options like the **Device Family**, **Macro Type**, **Category**, and **Module Name** are device and selected module dependent. These cannot be changed in IPexpress.

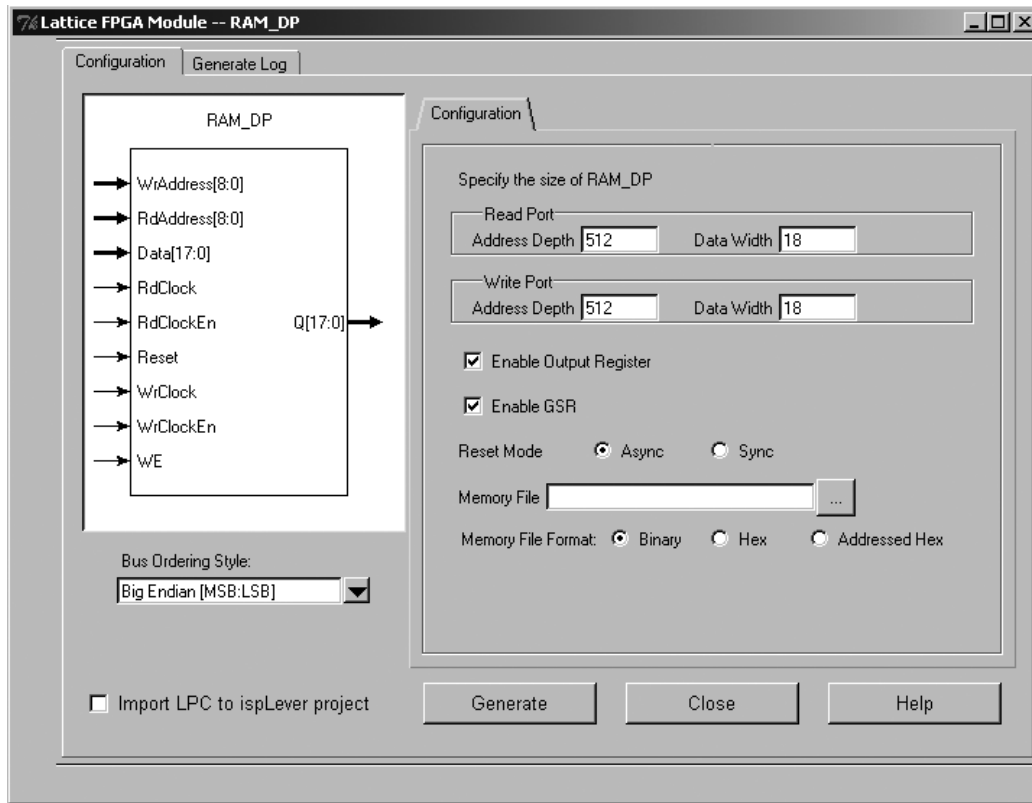
Users can change the directory where the generated module files will be placed by clicking the **Browse** button in the **Project Path**.

The **Module Name** text box allows users to specify an entity name for the module they are about to generate. Users must provide this entity name.

Design entry, Verilog or VHDL, by default, is the same as the project type. If the project is a VHDL project, the selected design entry option will be "Schematic/ VHDL", and "Schematic/ Verilog-HDL" if the project type is Verilog-HDL.

The **Device** pull-down menu allows users to select different devices within the same family, LatticeXP2 in this example. By clicking the **Customize** button, another window opens where users can customize the RAM (Figure 10-4).

Figure 10-4. Example Generating Pseudo Dual Port RAM (RAM_DP) Module Customization



The left side of this window shows the block diagram of the module. The right side includes the **Configuration** tab where users can choose options to customize the RAM_DP (e.g. specify the address port sizes and data widths).

Users can specify the address depth and data width for the **Read Port** and the **Write Port** in the text boxes provided. In this example, we are generating a Pseudo Dual Port RAM of size 512 x 16. Users can also create RAMs of different port widths for Pseudo Dual Port and True Dual Port RAMs.

The Input Data and the Address Control are always registered, as the hardware only supports the clocked write operation for the EBR based RAMs. The check box **Enable Output Registers** inserts the output registers in the Read Data Port. Output registers are optional for EBR-based RAMs.

Users have the option to set the **Reset Mode** as Asynchronous Reset or Synchronous Reset. **Enable GSR** can be checked to enable the Global Set Reset.

Users can also pre-initialize their memory with the contents specified in the **Memory File**. It is optional to provide this file in the RAM; however for ROM, the Memory File is required. These files can be of Binary, Hex or Addresses Hex format. The details of these formats are discussed in the Initialization File section of this document.

At this point, users can click the **Generate** button to generate the module they have customized. A VHDL or Verilog netlist is then generated and placed in the specified location. Users can incorporate this netlist in their designs.

Another important button is the **Load Parameters** button. IPexpress stores the parameters specified in a <module_name>.lpc file. This file is generated along with the module. Users can click on the Load Parameters button to load the parameters of a previously generated module to re-visit or make changes to them.

Once the module is generated, users can either instantiate the *.lpc or the Verilog-HDL/ VHDL file in top-level module of their design.

The various memory modules, both EBR and distributed, are discussed in detail in this document.

Memory Modules

ECC is supported in most memories. If you choose to use ECC, you will have a 2-bit error signal.

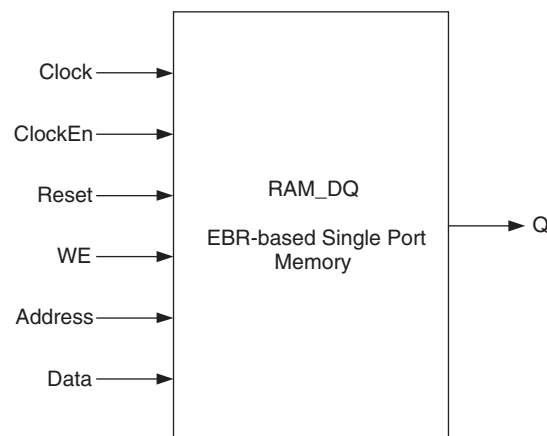
- When Error[1:0]=00, there is no error.
- When Error[0]=1, it indicates that there was a 1 bit error which was fixed.
- When Error[1]=1, it indicates that there was a 2-bit error which cannot be corrected.

Single Port RAM (RAM_DQ) – EBR Based

The EBR blocks in LatticeXP2 devices can be configured as Single Port RAM or RAM_DQ. IPexpress allows users to generate the Verilog-HDL or VHDL along EDIF netlist for the memory size as per design requirements.

IPexpress generates the memory module as shown in Figure 10-5.

Figure 10-5. Single Port Memory Module Generated by IPexpress



Since the device has a number of EBR blocks, the generated module makes use of these EBR blocks, or primitives, and cascades them to create the memory sizes specified by the user in the IPexpress GUI. For memory sizes smaller than an EBR block, the module will be created in one EBR block. For memory sizes larger than one EBR block, multiple EBR blocks can be cascaded in depth or width (as required to create these sizes).

In Single Port RAM mode, the input data and address for the ports are registered at the input of the memory array. The output data of the memory is optionally registered at the output.

The various ports and their definitions for the Single Port Memory are listed in Table 10-2. The table lists the corresponding ports for the module generated by IPexpress and for the EBR RAM_DQ primitive.

Table 10-2. EBR-based Single Port Memory Port Definitions

Port Name in Generated Module	Port Name in the EBR Block Primitive	Description	Active State
Clock	CLK	Clock	Rising Clock Edge
ClockEn	CE	Clock Enable	Active High
Address	AD[x:0]	Address Bus	—
Data	DI[y:0]	Data In	—
Q	DO[y:0]	Data Out	—
WE	WE	Write Enable	Active High
Reset	RST	Reset	Active High
—	CS[2:0]	Chip Select	—

Reset (or RST) resets only the input and output registers of the RAM. It does not reset the contents of the memory.

Chip Select (CS) is a useful port in the EBR primitive when multiple cascaded EBR blocks are required by the memory. The CS signal forms the MSB for the address when multiple EBR blocks are cascaded. CS is a 3-bit bus, so it can cascade eight memories easily. If the memory size specified by the user requires more than eight EBR blocks, the ispLEVER software automatically generates the additional address decoding logic, which is implemented in the PFU (external to the EBR blocks).

Each EBR block consists of 18,432 bits of RAM. The values for x (address) and y (data) for each EBR block for the devices are listed in Table 10-3.

Table 10-3. Single Port Memory Sizes for 16K Memories for LatticeXP2

Single Port Memory Size	Input Data	Output Data	Address [MSB:LSB]
16K x 1	DI	DO	AD[13:0]
8K x 2	DI[1:0]	DO[1:0]	AD[12:0]
4K x 4	DI[3:0]	DO[3:0]	AD[11:0]
2K x 9	DI[8:0]	DO[8:0]	AD[10:0]
1K x 18	DI[17:0]	DO[17:0]	AD[9:0]
512 x 36	DI[35:0]	DO[35:0]	AD[8:0]

Table 10-4 shows the various attributes available for the Single Port Memory (RAM_DQ). Some of these attributes are user-selectable through the IPexpress GUI. For detailed attribute definitions, refer to Appendix A.

Table 10-4. Single Port RAM Attributes for LatticeXP2

Attribute	Description	Values	Default Value	User Selectable Through IPexpress
Address depth	Address Depth Read Port	16K, 8K, 4K, 2K, 1K, 512		YES
Data Width	Data Word Width Read Port	1, 2, 4, 9, 18, 36	1	YES
Enable Output Registers	Register Mode (Pipelining) for Write Port	NOREG, OUTREG	NOREG	YES
Enable GSR	Enables Global Set Reset	ENABLE, DISABLE	ENABLE	YES
Reset Mode	Selects the Reset type	ASYNC, SYNC	ASYNC	YES
Memory File Format		BINARY, HEX, ADDRESSED HEX		YES
Write Mode	Read / Write Mode for Write Port	NORMAL, WRITE-THROUGH	NORMAL	YES
Chip Select Decode	Chip Select Decode for Read Port	0b000, 0b001, 0b010, 0b011, 0b100, 0b101, 0b110, 0b111	0b000	NO
Init Value	Initialization value	0x00000000000000000000000000000000 00000000000000000000000000000000 00000000000000000000000000000000 000000000000.....0xFFFF FFFFFFFFFFFFFFFFFFFFFFFF FFFFFFFFFFFFFFFFFFFFFFFF FFFFFFFFFFFFFFFFFFFFFFFF FFFFFFFFFFFFFFFF	0x000000000 0000000000 0000000000 0000000000 0000000000 0000000000 0000000000 0000000000 0000000000 00000	NO

The Single Port RAM (RAM_DQ) can be configured as NORMAL or WRITE THROUGH modes. Each of these modes affects the data coming out of port Q of the memory during the write operation followed by the read operation at the same memory location.

Additionally, users can select to enable the output registers for RAM_DQ. Figures 10-6-10-9 show the internal timing waveforms for the Single Port RAM (RAM_DQ) with these options.

It is important that no setup and hold time violations occur on the address registers (Address). Failing to meet these requirements can result in corruption of memory contents. This applies to both read and write operations.

A Post Place and Route timing report in Lattice Diamond® or ispLEVER design software can be run to verify that no such timing errors occur. Refer to the timing preferences in the Online Help documents.

Figure 10-6. Single Port RAM Timing Waveform - NORMAL Mode, without Output Registers

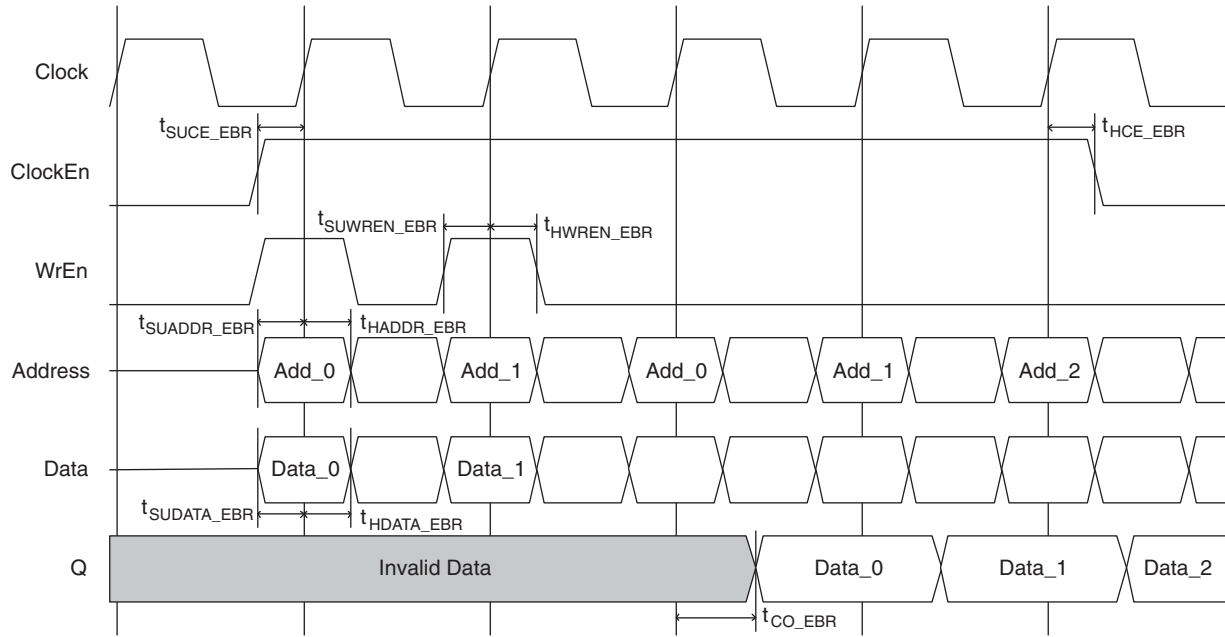


Figure 10-7. Single Port RAM Timing Waveform - NORMAL Mode, with Output Registers

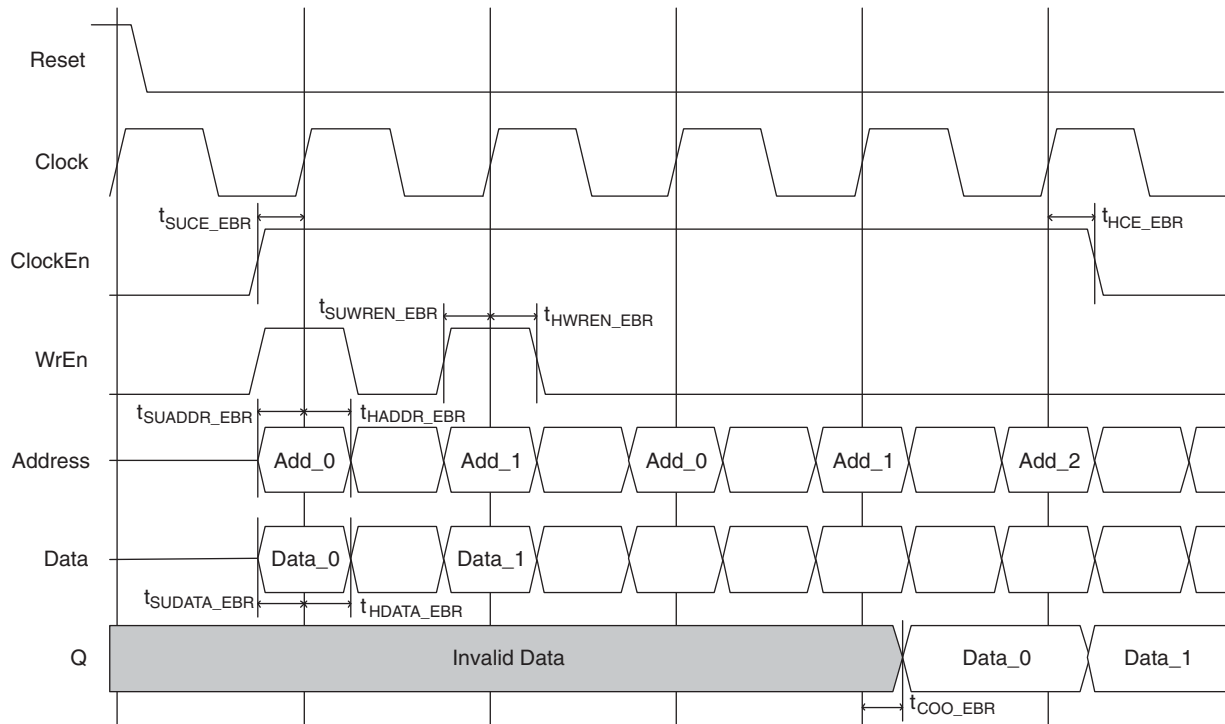


Figure 10-8. Single Port RAM Timing Waveform - WRITE THROUGH Mode, without Output Registers

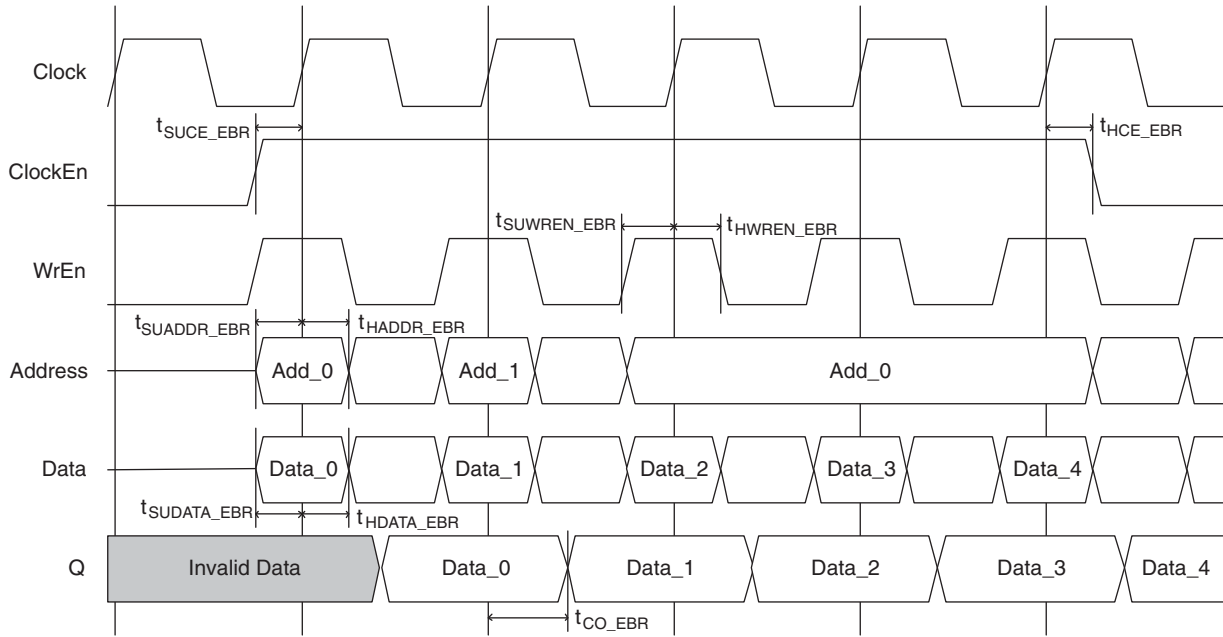
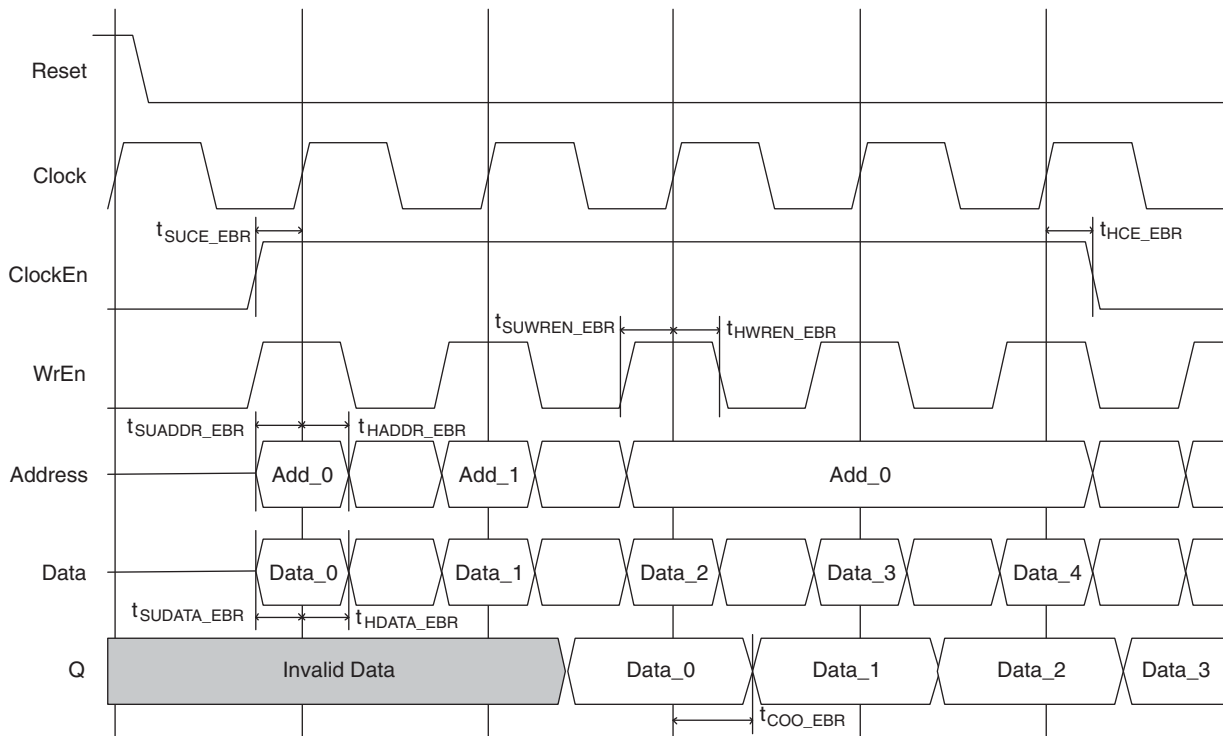


Figure 10-9. Single Port RAM Timing Waveform - WRITE THROUGH Mode, with Output Registers

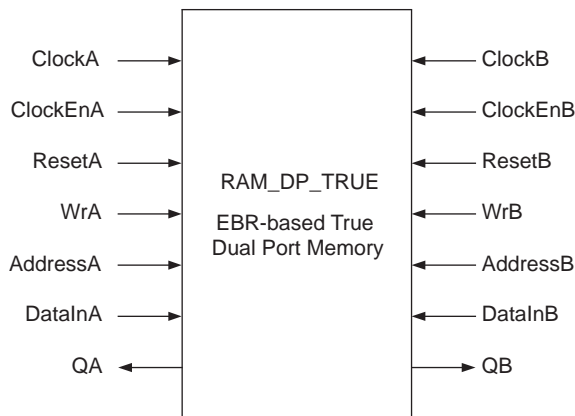


True Dual Port RAM (RAM_DP_TRUE) – EBR Based

The EBR blocks in the LatticeXP2 devices can be configured as True-Dual Port RAM or RAM_DP_TRUE. IPexpress allows users to generate the Verilog-HDL, VHDL or EDIF netlists for the memory size as per design requirements.

IPexpress generates the memory module as shown in Figure 10-10.

Figure 10-10. True Dual Port Memory Module Generated by IPexpress



The generated module makes use of these EBR blocks or primitives. For memory sizes smaller than an EBR block, the module will be created in one EBR block. When the specified memory is larger than one EBR block, multiple EBR blocks can be cascaded in depth or width (as required to create these sizes).

In True Dual Port RAM mode, the input data and address for the ports are registered at the input of the memory array. The output data of the memory is optionally registered at the output.

The various ports and their definitions for Single Port Memory are listed in Table 10-5. The table lists the corresponding ports for the module generated by IPexpress and for the EBR RAM_DP_TRUE primitive.

Table 10-5. EBR-based True Dual Port Memory Port Definitions

Port Name in Generated Module	Port Name in the EBR Block Primitive	Description	Active State
ClockA, ClockB	CLKA, CLKB	Clock for PortA and PortB	Rising Clock Edge
ClockEnA, ClockEnB	CEA, CEB	Clock Enables for Port CLKA and CLKB	Active High
AddressA, AddressB	ADA[x1:0], ADB[x2:0]	Address Bus Port A and Port B	—
DataA, DataB	DIA[y1:0], DIB[y2:0]	Input Data Port A and Port B	—
QA, QB	DOA[y1:0], DOB[y2:0]	Output Data Port A and Port B	—
WrA, WrB	WEA, WEB	Write Enable Port A and Port B	Active High
ResetA, ResetB	RSTA, RSTB	Reset for Port A and Port B	Active High
—	CSA[2:0], CSB[2:0]	Chip Selects for each port	—

Reset (or RST) resets only the input and output registers of the RAM. It does not reset the contents of the memory.

Chip Select (CS) is a useful port in the EBR primitive when multiple cascaded EBR blocks are required by the memory. The CS signal forms the MSB for the address when multiple EBR blocks are cascaded. Since CS is a 3-bit bus, it can cascade eight memories easily. However, if the memory size specified by the user requires more than eight EBR blocks, the ispLEVER software automatically generates the additional address decoding logic, which is implemented in the PFU external to the EBR blocks.

Each EBR block consists of 18,432 bits of RAM. The values for x's (for address) and y's (data) for each EBR block for the devices are listed in Table 10-6.

Table 10-6. True Dual Port Memory Sizes for 16K Memory for LatticeXP2

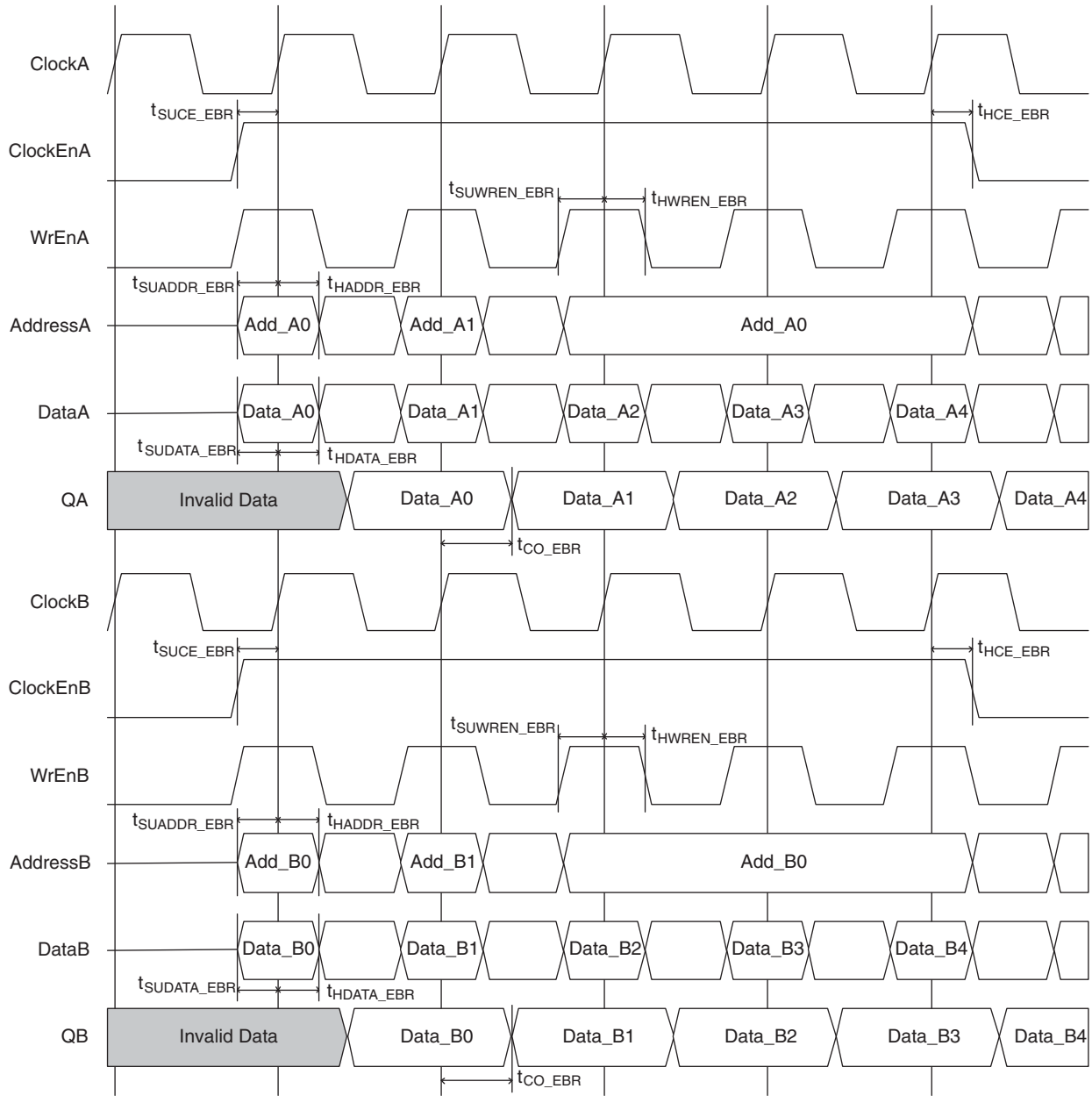
Dual Port Memory Size	Input Data Port A	Input Data Port B	Output Data Port A	Output Data Port B	Address Port A [MSB:LSB]	Address Port B [MSB:LSB]
16K x 1	DIA	DIB	DOA	DOB	ADA[13:0]	ADB[13:0]
8K x 2	DIA[1:0]	DIB[1:0]	DOA[1:0]	DOB[1:0]	ADA[12:0]	ADB[12:0]
4K x 4	DIA[3:0]	DIB[3:0]	DOA[3:0]	DOB[3:0]	ADA[11:0]	ADB[11:0]
2K x 9	DIA[8:0]	DIB[8:0]	DOA[8:0]	DOB[8:0]	ADA[10:0]	ADB[10:0]
1K x 18	DIA[17:0]	DIB[17:0]	DOA[17:0]	DOB[17:0]	ADA[9:0]	ADB[9:0]

Table 10-7 shows the various attributes available for the Single Port Memory (RAM_DQ). Some of these attributes are user-selectable through the IPexpress GUI. For detailed attribute definitions, refer to the Appendix A.

Table 10-7. True Dual Port RAM Attributes for LatticeXP2

Attribute	Description	Values	Default Value	User Selectable Through IPexpress
Port A Address depth	Address Depth Port A	16K, 8K, 4K, 2K, 1K		YES
Port A Data Width	Data Word Width Port A	1, 2, 4, 9, 18	1	YES
Port B Address depth	Address Depth Port B	16K, 8K, 4K, 2K, 1K		YES
Port B Data Width	Data Word Width Port B	1, 2, 4, 9, 18	1	YES
Port A Enable Output Registers	Register Mode (Pipelining) for Port A	NOREG, OUTREG	NOREG	YES
Port B Enable Output Registers	Register Mode (Pipelining) for Port B	NOREG, OUTREG	NOREG	YES
Enable GSR	Enables Global Set Reset	ENABLE, DISABLE	ENABLE	YES
Reset Mode	Selects the Reset type	ASYNC, SYNC	ASYNC	YES
Memory File Format		BINARY, HEX, ADDRESSED HEX		YES
Port A Write Mode	Read / Write Mode for Port A	NORMAL, WRITE-THROUGH	NORMAL	YES
Port B Write Mode	Read / Write Mode for Port B	NORMAL, WRITE-THROUGH	NORMAL	YES
Chip Select Decode for Port A	Chip Select Decode for Port A	0b000, 0b001, 0b010, 0b011, 0b100, 0b101, 0b110, 0b111	0b000	NO
Chip Select Decode for Port B	Chip Select Decode for Port B	0b000, 0b001, 0b010, 0b011, 0b100, 0b101, 0b110, 0b111	0b000	NO
Init Value	Initialization value	0x00000000000000000000000000000000 00000000000000000000000000000000 00000000000000000000000000000000 0000000000000000.....0xF FFFFFFFFFFFFFFFFFFFFFFFF FFFFFFFFFFFFFFFFFFFFFFFF FFFFFFFFFFFFFFFFFFFFFFFF FFFFFFFFFFFFFFFFFFFFFFFF	0x00000000 000000000000 000000000000 000000000000 000000000000 000000000000 000000000000 000000000000 000000000000	NO

Figure 10-13. True Dual Port RAM Timing Waveform - WRITE THROUGH Mode, without Output Registers

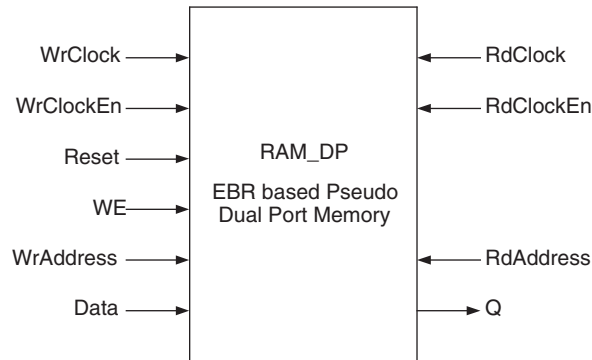


Pseudo Dual Port RAM (RAM_DP) – EBR Based

The EBR blocks in LatticeXP2 devices can be configured as Pseudo-Dual Port RAM or RAM_DP. IPexpress allows users to generate the Verilog-HDL or VHDL along with EDIF netlists for the memory size as per design requirements.

IPexpress generates the memory module as shown in Figure 10-15.

Figure 10-15. Pseudo Dual Port Memory Module Generated by IPexpress



The generated module makes use of these EBR blocks or primitives. For memory sizes smaller than an EBR block, the module will be created in one EBR block. If the specified memory is larger than one EBR block, multiple EBR blocks can be cascaded in depth or width (as required to create these sizes).

In Pseudo Dual Port RAM mode, the input data and address for the ports are registered at the input of the memory array. The output data of the memory is optionally registered at the output.

The various ports and their definitions for the Single Port Memory are listed in Table 10-8. The table lists the corresponding ports for the module generated by IPexpress and for the EBR RAM_DP primitive.

Table 10-8. EBR-based Pseudo-Dual Port Memory Port Definitions

Port Name in Generated Module	Port Name in the EBR Block Primitive	Description	Active State
RdAddress	ADR[x1:0]	Read Address	—
WrAddress	ADW[x2:0]	Write Address	—
RdClock	CLKR	Read Clock	Rising Clock Edge
WrClock	CLKW	Write Clock	Rising Clock Edge
RdClockEn	CER	Read Clock Enable	Active High
WrClockEn	CEW	Write Clock Enable	Active High
Q	DO[y1:0]	Read Data	—
Data	DI[y2:0]	Write Data	—
WE	WE	Write Enable	Active High
Reset	RST	Reset	Active High
—	CS[2:0]	Chip Select	—

Reset (RST) resets only the input and output registers of the RAM. It does not reset the contents of the memory.

Chip Select (CS) is a useful port when multiple cascaded EBR blocks are required by the memory. The CS signal forms the MSB for the address when multiple EBR blocks are cascaded. Since CS is a 3-bit bus, it can cascade eight memories easily. However, if the memory size specified by the user requires more than eight EBR blocks, the ispLEVER software automatically generates the additional address decoding logic, which is implemented in the PFU external to the EBR blocks.

Each EBR block consists of 18,432 bits of RAM. The values for x's (for address) and y's (data) for each EBR block for the devices are as in Table 10-9.

Table 10-9. Pseudo-Dual Port Memory Sizes for 16K Memory for LatticeXP2

Pseudo-Dual Port Memory Size	Input Data Port A	Input Data Port B	Output Data Port A	Output Data Port B	Read Address Port A [MSB:LSB]	Write Address Port B [MSB:LSB]
16K x 1	DIA	DIB	DOA	DOB	RAD[13:0]	WAD[13:0]
8K x 2	DIA[1:0]	DIB[1:0]	DOA[1:0]	DOB[1:0]	RAD[12:0]	WAD[12:0]
4K x 4	DIA[3:0]	DIB[3:0]	DOA[3:0]	DOB[3:0]	RAD[11:0]	WAD[11:0]
2K x 9	DIA[8:0]	DIB[8:0]	DOA[8:0]	DOB[8:0]	RAD[10:0]	WAD[10:0]
1K x 18	DIA[17:0]	DIB[17:0]	DOA[17:0]	DOB[17:0]	RAD[9:0]	WAD[9:0]
512 x 36	DIA[35:0]	DIB[35:0]	DOA[35:0]	DOB[35:0]	RAD[8:0]	WAD[8:0]

Table 10-10 shows the various attributes available for the Pseudo-Dual Port Memory (RAM_DP). Some of these attributes are user-selectable through the IPexpress GUI. For detailed attribute definitions, refer to Appendix A.

Table 10-10. Pseudo-Dual Port RAM Attributes for LatticeXP2

Attribute	Description	Values	Default Value	User Selectable Through IPexpress
Read Port Address Depth	Address Depth Read Port	16K, 8K, 4K, 2K, 1K, 512		YES
Read Port Data Width	Data Word Width Read Port	1, 2, 4, 9, 18, 36	1	YES
Write Port Address Depth	Address Depth Write Port	16K, 8K, 4K, 2K, 1K		YES
Write Port Data Width	Data Word Width Write Port	1, 2, 4, 9, 18, 36	1	YES
Write Port Enable Output Registers	Register Mode (Pipelining) for Write Port	NOREG, OUTREG	NOREG	YES
Enable GSR	Enables Global Set Reset	ENABLE, DISABLE	ENABLE	YES
Reset Mode	Selects the Reset type	ASYNCR, SYNC	ASYNCR	YES
Memory File Format		BINARY, HEX, ADDRESSED HEX		YES
Read Port Write Mode	Read / Write Mode for Read Port	NORMAL	NORMAL	YES
Write Port Write Mode	Read / Write Mode for Write Port	NORMAL	NORMAL	YES
Chip Select Decode for Read Port	Chip Select Decode for Read Port	0b000, 0b001, 0b010, 0b011, 0b100, 0b101, 0b110, 0b111	0b000	NO
Chip Select Decode for Write Port	Chip Select Decode for Write Port	0b000, 0b001, 0b010, 0b011, 0b100, 0b101, 0b110, 0b111	0b000	NO
Init Value	Initialization value	0x00000000000000000000000000000000 00000000000000000000000000000000 00000000000000000000000000000000 0.....0xFFFFFFFFFFFFFFFF FFFFFFFFFFFFFFFFFFFFFFFF FFFFFFFFFFFFFFFF FFFFFFFF	0x000000000000 000000000000 000000000000 000000000000 000000000000 000000000000 000000000000 000000000000	NO

Users have the option to enable the output registers for Pseudo-Dual Port RAM (RAM_DP). Figures 10-16 and 10-17 show the internal timing waveforms for Pseudo-Dual Port RAM (RAM_DP) with these options. It is important that no setup and hold time violations occur on the address registers (RdAddress and WrAddress). Failing to meet these requirements can result in corruption of memory contents. This applies to both read and write operations.

A Post Place and Route timing report in Lattice Diamond or ispLEVER design software can be run to verify that no such timing errors occur. Refer to the timing preferences in the Online Help documents.

Figure 10-16. PSEUDO DUAL PORT RAM Timing Diagram – without Output Registers

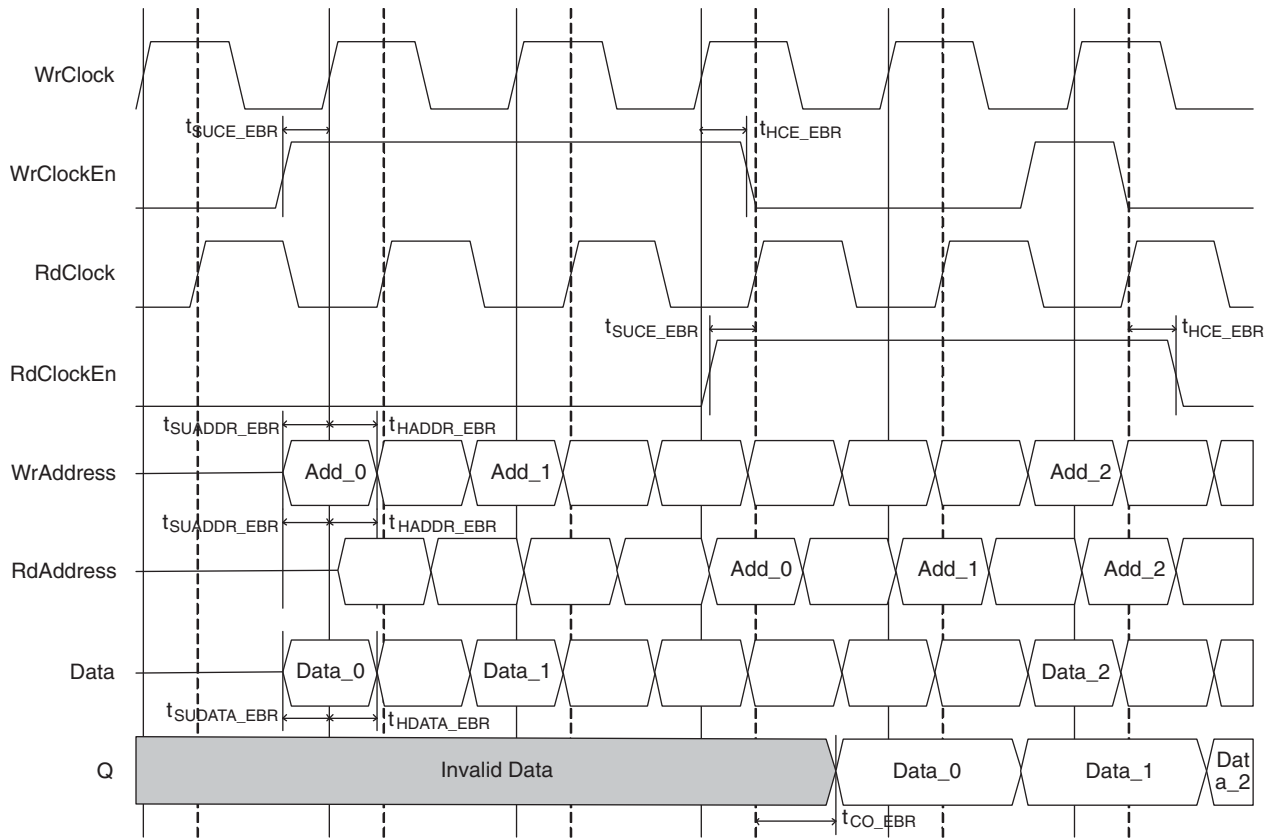
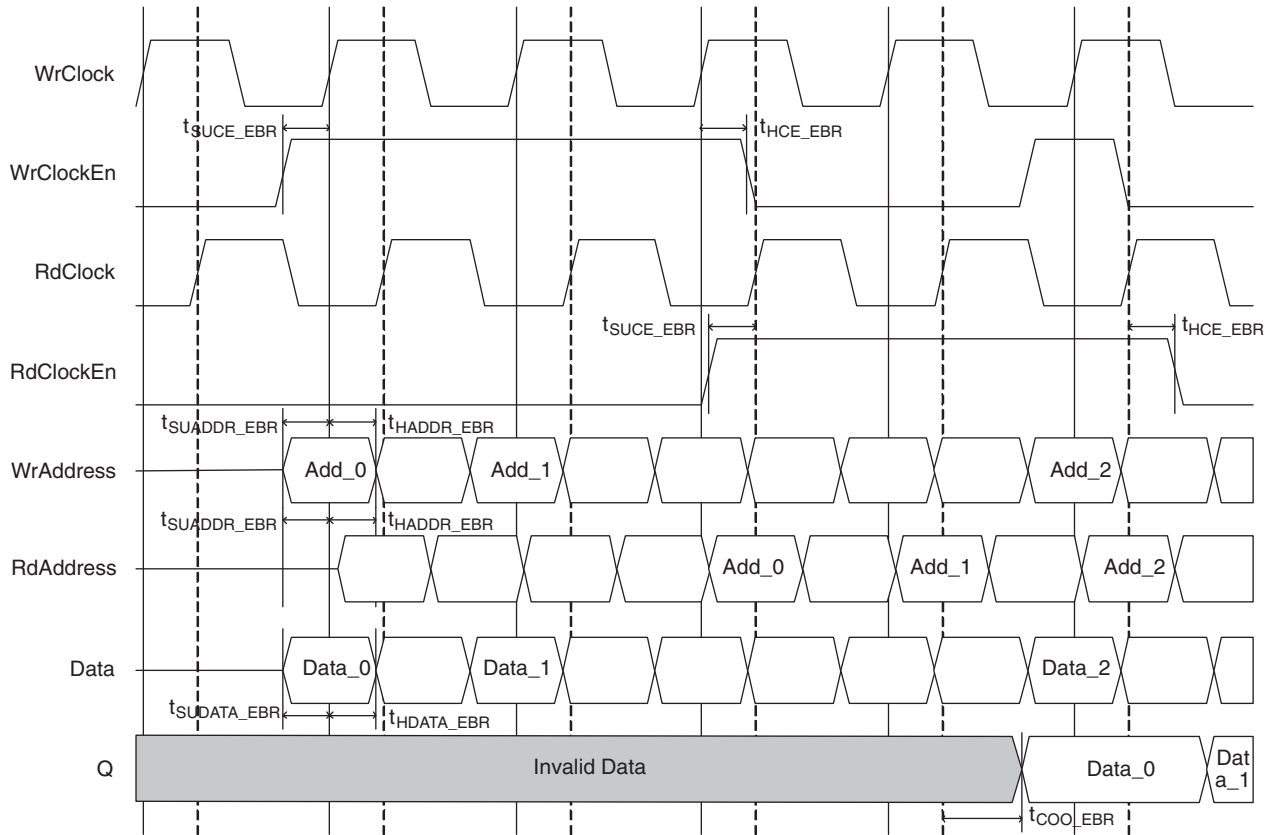


Figure 10-17. PSEUDO DUAL PORT RAM Timing Diagram - with Output Registers

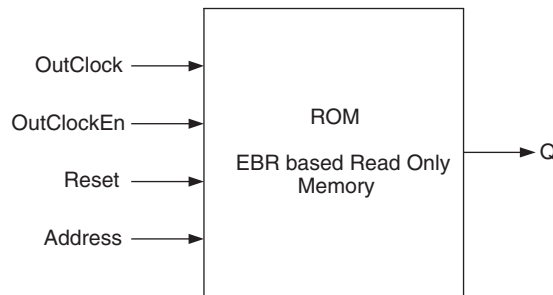


Read Only Memory (ROM) - EBR Based

The EBR blocks in the LatticeXP2 devices can be configured as Read Only Memory or ROM. IPexpress allows users to generate the Verilog-HDL or VHDL and the EDIF netlist for the memory size, as per design requirements. Users are required to provide the ROM memory content in the form of an initialization file.

IPexpress generates the memory module as shown in Figure 10-18.

Figure 10-18. Read-Only Memory Module Generated by IPexpress



The generated module makes use of these EBR blocks or primitives. For memory sizes smaller than an EBR block, the module will be created in one EBR block. If the specified memory is larger than one EBR block, multiple EBR blocks can be cascaded, in depth or width (as required to create these sizes).

In ROM mode, the address for the port is registered at the input of the memory array. The output data of the memory is optionally registered at the output.

The various ports and their definitions for the ROM are listed in Table 10-11. The table lists the corresponding ports for the module generated by IPexpress and for the ROM primitive.

Table 10-11. EBR-based ROM Port Definitions

Port Name in Generated Module	Port Name in the EBR block Primitive	Description	Active State
Address	AD[x:0]	Read Address	—
OutClock	CLK	Clock	Rising Clock Edge
OutClockEn	CE	Clock Enable	Active High
Reset	RST	Reset	Active High
—	CS[2:0]	Chip Select	—

Reset (RST) resets only the input and output registers of the RAM. It does not reset the contents of the memory.

Chip Select (CS) is a useful port when multiple cascaded EBR blocks are required by the memory. The CS signal forms the MSB for the address when multiple EBR blocks are cascaded. Since CS is a 3-bit bus, it can cascade eight memories easily. However, if the memory size specified by the user requires more than eight EBR blocks, the ispLEVER software automatically generates the additional address decoding logic, which is implemented in the PFU external to the EBR blocks.

While generating the ROM using IPexpress, the user must provide the initialization file to pre-initialize the contents of the ROM. These files are the *.mem files and they can be of Binary, Hex or the Addressed Hex formats. The initialization files are discussed in detail in the Initializing Memory section of this document.

Users have the option of enabling the output registers for Read Only Memory (ROM). Figures 10-19 and 10-20 show the internal timing waveforms for the Read Only Memory (ROM) with these options.

Each EBR block consists of 18,432 bits of RAM. The values for x's (for address) and y's (data) for each EBR block for the devices are as per Table 10-12.

Table 10-12. ROM Memory Sizes for 16K Memory for LatticeXP2

ROM	Output Data	Address Port [MSB:LSB]
16K x 1	DOA	WAD[13:0]
8K x 2	DOA[1:0]	WAD[12:0]
4K x 4	DOA[3:0]	WAD[11:0]
2K x 9	DOA[8:0]	WAD[10:0]
1K x 18	DOA[17:0]	WAD[9:0]
512 x 36	DOA[35:0]	WAD[8:0]

Table 10-13 shows the various attributes available for the Read Only Memory (ROM). Some of these attributes are user-selectable through the IPexpress GUI. For detailed attribute definitions, refer to Appendix A.

Table 10-13. Pseudo-Dual Port RAM Attributes for LatticeXP2

Attribute	Description	Values	Default Value	User Selectable Through IPexpress
Address depth	Address Depth Read Port	16K, 8K, 4K, 2K, 1K, 512		YES
Data Width	Data Word Width Read Port	1, 2, 4, 9, 18, 36	1	YES
Enable Output Registers	Register Mode (Pipelining) for Write Port	NOREG, OUTREG	NOREG	YES
Enable GSR	Enables Global Set Reset	ENABLE, DISABLE	ENABLE	YES
Reset Mode	Selects the Reset type	ASYNC, SYNC	ASYNC	YES
Memory File Format		BINARY, HEX, ADDRESSED HEX		YES
Chip Select Decode	Chip Select Decode for Read Port	0b000, 0b001, 0b010, 0b011, 0b100, 0b101, 0b110, 0b111	0b000	NO

Users have the option to enable the output registers for Read Only Memory (ROM). Figures 10-19 and 10-20 show the internal timing waveforms for ROM with these options.

It is important that no setup and hold time violations occur on the address registers (Address). Failing to meet these requirements can result in corruption of memory contents. This applies to both read operations in this case.

A Post Place and Route timing report in Lattice Diamond or ispLEVER design software can be run to verify that no such timing errors occur. Refer to the timing preferences in the Online Help documents.

Figure 10-19. ROM Timing Waveform – Without Output Registers

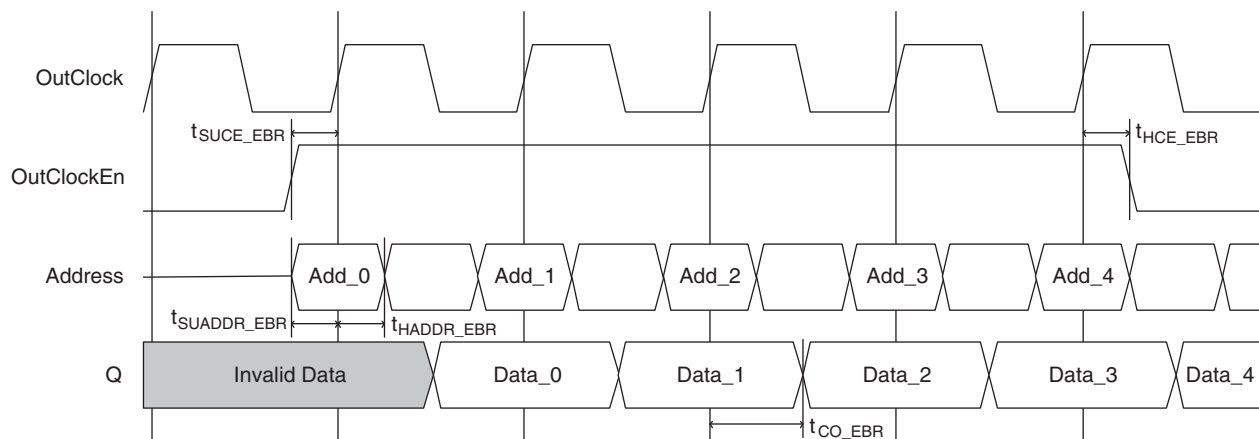
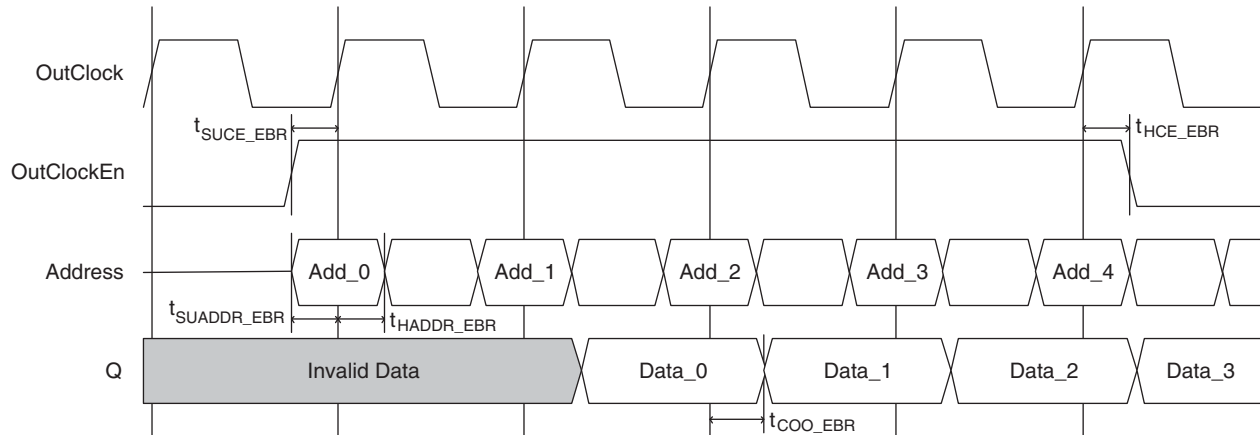


Figure 10-20. ROM Timing Waveform - with Output Registers

First In First Out (FIFO, FIFO_DC) – EBR Based

FIFOs are not supported in certain devices such as the LatticeECP/EC, LatticeECP2/M, LatticeXP and MachXO. The hardware has Embedded Block RAM (EBR) which can be configured in Single Port (RAM_DQ), Pseudo-Dual Port (RAM_DP) and True Dual Port (RAM_DP_TRUE) RAMs. The FIFOs in these devices can be emulated FIFOs that are built around these RAMs. The IPexpress point tool in the ispLEVER design software allows users to build a FIFO and FIFO_DC around Pseudo Dual Port RAM (or DP_RAM).

Each of these FIFOs can be configured with (pipelined) and without (non-pipelined) output registers. In the pipelined mode users have an extra option to enable the output registers by the RdEn signal. We will discuss the operation in the following sections.

Let us take a look at the operation of these FIFOs.

First In First Out (FIFO) Memory

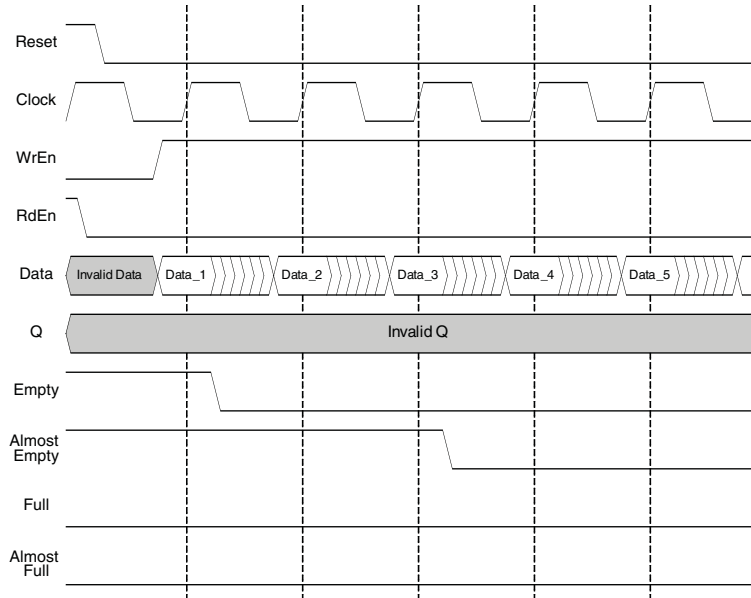
The FIFO, or the single clock FIFO, is an emulated FIFO. The address logic and the flag logic is implemented in the FPGA fabric around the RAM.

The ports available on the FIFO are:

- Reset
- Clock
- WrEn
- RdEn
- Data
- Q
- Full Flag
- Almost Full Flag
- Empty Flag
- Almost Empty Flag

Let us first discuss the non-pipelined or the FIFO without output registers. Figure 10-21 shows the operation of the FIFO when it is empty and the data starts to get written into it.

Figure 10-21. FIFO without Output Registers, Start of Data Write Cycle

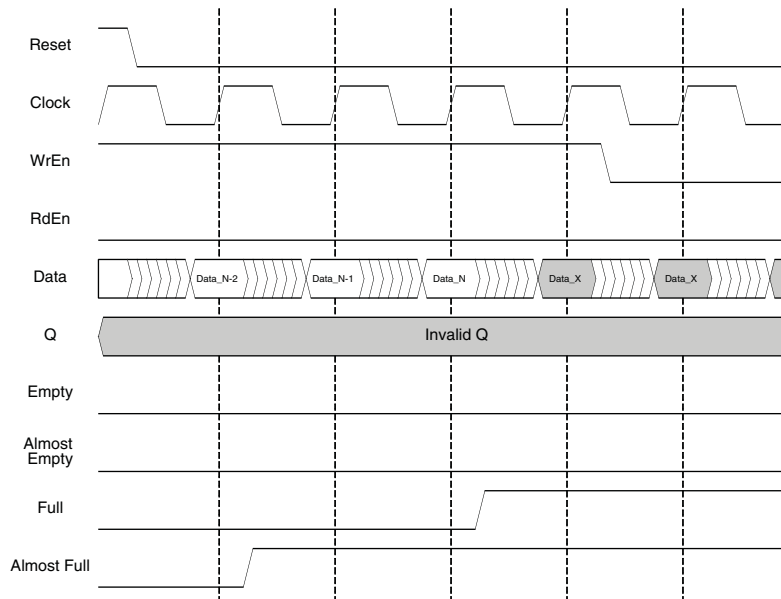


The WrEn signal must be high to start writing into the FIFO. The Empty and Almost Empty flags are high to begin and Full and Almost Full are low.

When the first data is written into the FIFO, the Empty flag de-asserts (or goes low), as the FIFO is no longer empty. In this figure we assume that the Almost Empty setting flag setting is 3 (address location 3). So the Almost Empty flag gets de-asserted when the third address location is filled.

Now let us assume that we continue to write into the FIFO to fill it. When the FIFO is filled, the Almost Full and Full Flags are asserted. Figure 10-22 shows the behavior of these flags. In this figure we assume that FIFO depth is 'N'.

Figure 10-22. FIFO without Output Registers, End of Data Write Cycle

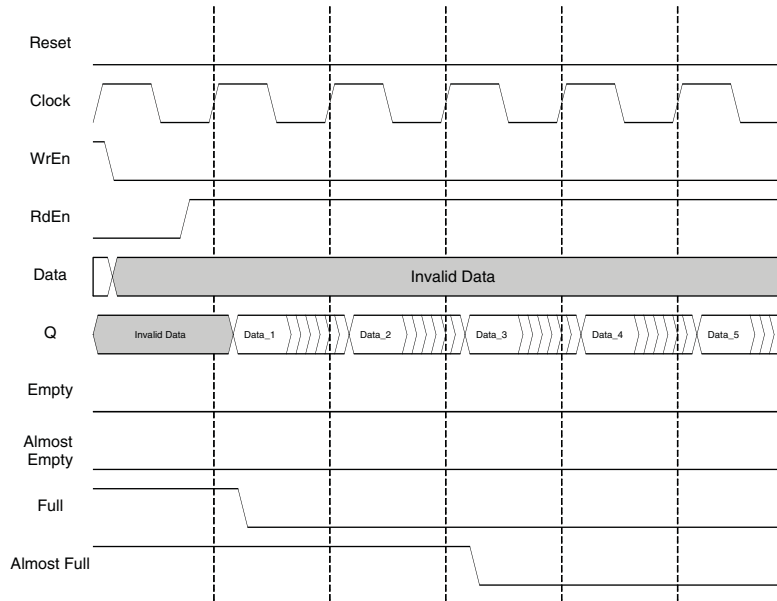


In this case, the Almost Full flag is in the 2 location before the FIFO is filled. The Almost Full flag is asserted when the N-2 location is written, and the Full flag is asserted when the last word is written into the FIFO.

Data_X data inputs do not get written as the FIFO is full (the Full flag is high).

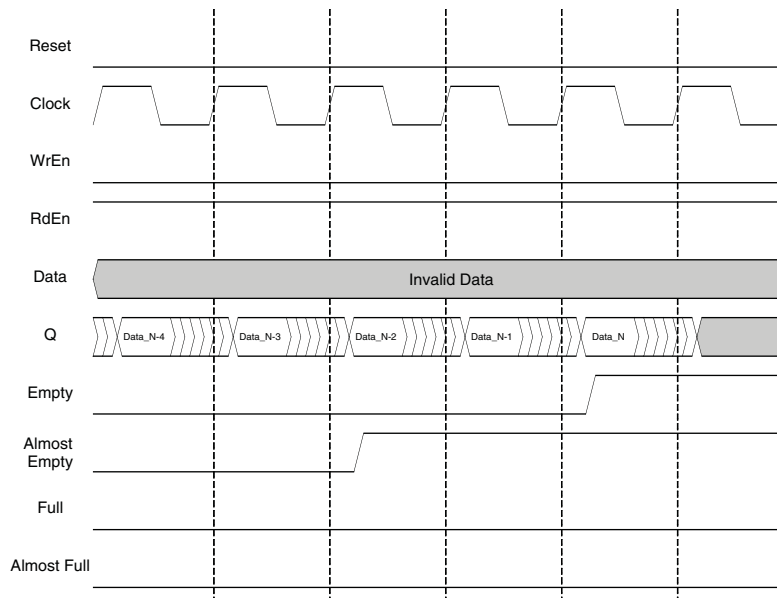
Now let us look at the waveforms when the contents of the FIFO are read out. Figure 10-23 shows the start of the read cycle. RdEn goes high and the data read starts. The Full and Almost Full flags are de-asserted, as shown.

Figure 10-23. FIFO without Output Registers, Start of Data Read Cycle



Similarly, as the data is read out and FIFO is emptied, the Almost Empty and Empty flags are asserted.

Figure 10-24. FIFO without Output Registers, End of Data Read Cycle



Figures 10-21 to 10-24 show the behavior of non-pipelined FIFO or FIFO without output registers. When we pipeline the registers, the output data is delayed by one clock cycle. There is also the extra option for Output registers to be enabled by the RdEn signal.

Figures 10-25 to 10-28 show the similar waveforms for the FIFO with output register and with output register enable with RdEn. It should be noted that flags are asserted and de-asserted with similar timing to the FIFO without output registers. However, it is only the data out 'Q' that is delayed by one clock cycle.

Figure 10-25. FIFO with Output Registers, Start of Data Write Cycle

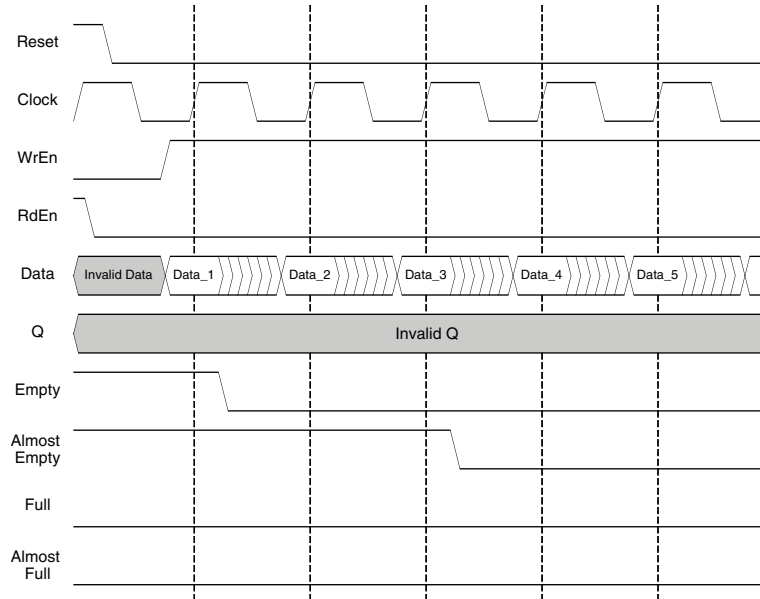


Figure 10-26. FIFO with Output Registers, End of Data Write Cycle

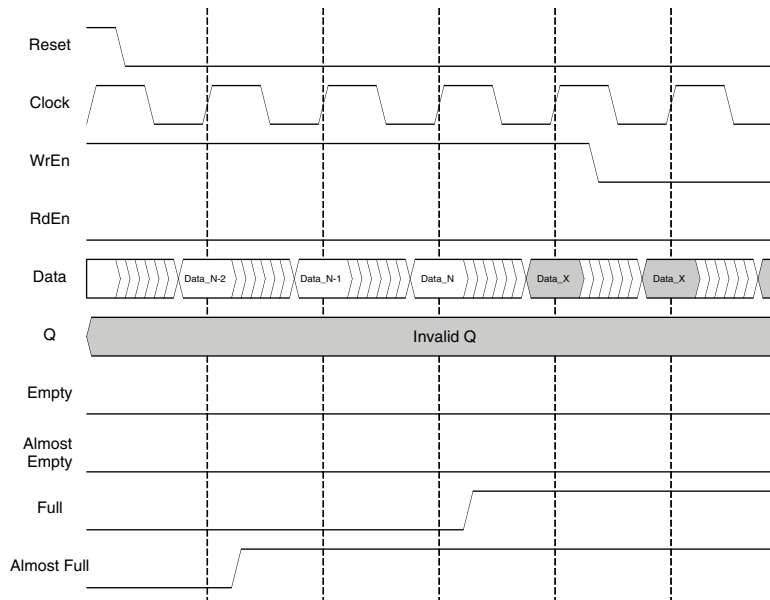


Figure 10-27. FIFO with Output Registers, Start of Data Read Cycle

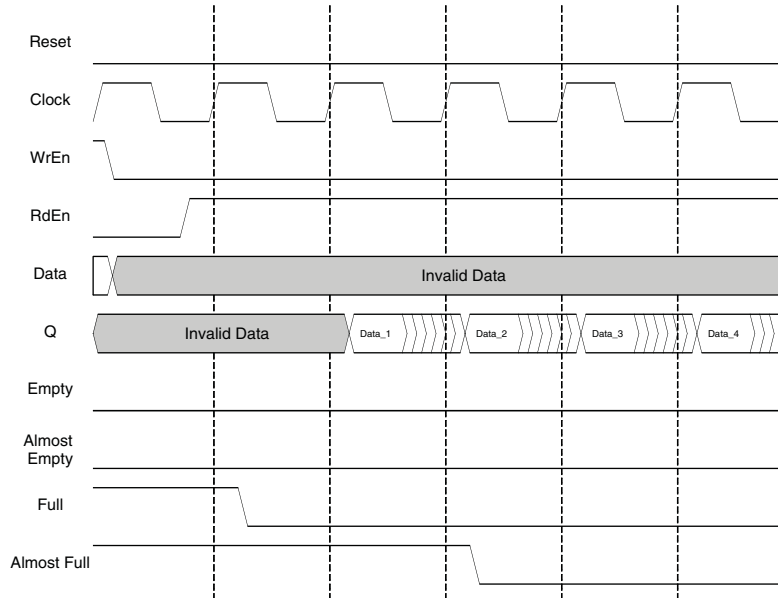
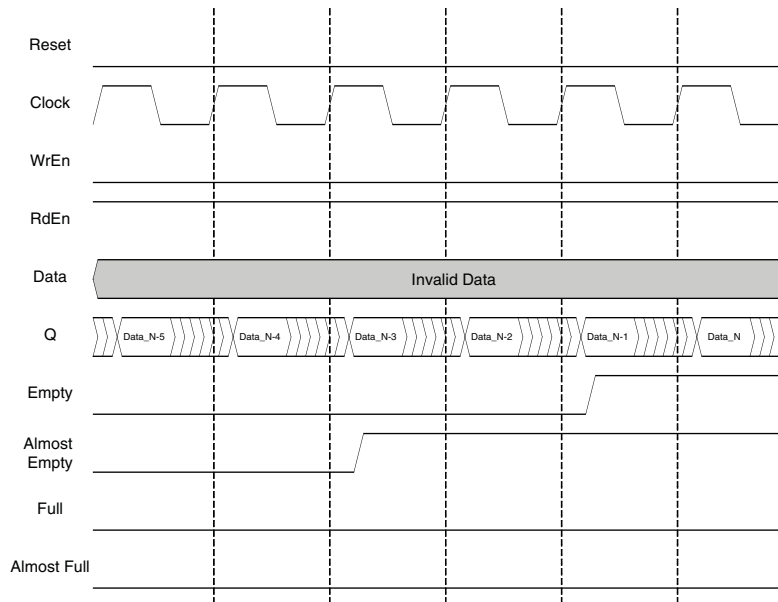
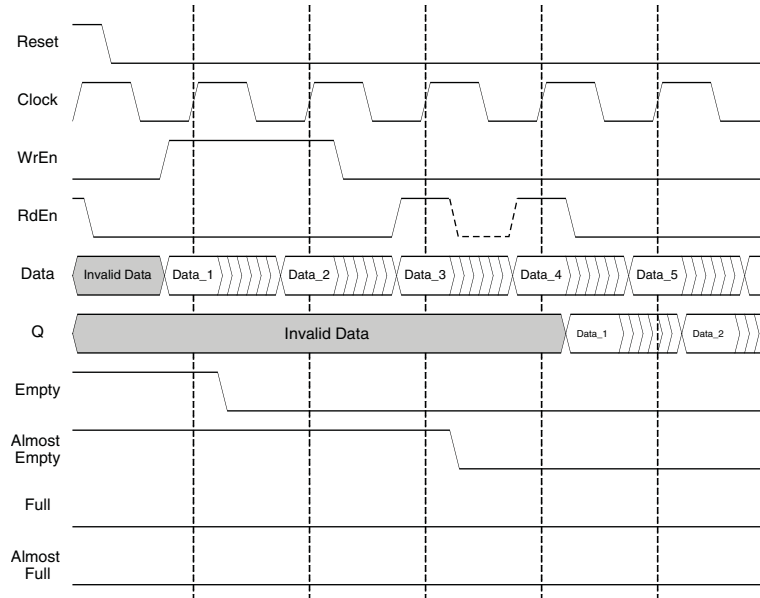


Figure 10-28. FIFO with Output Registers, End of Data Read Cycle



And finally, if you select the option enable output register with RdEn, it still delays the data out by one clock cycle (as compared to the non-pipelined FIFO). The RdEn should also be high during that clock cycle, otherwise the data takes an extra clock cycle when the RdEn goes true.

Figure 10-29. FIFO with Output Registers and RdEn on Output Registers



Dual Clock First In First Out (FIFO_DC) Memory:

The FIFO_DC or the dual clock FIFO is also an emulated FIFO. Again, the address logic and the flag logic is implemented in the FPGA fabric around the RAM.

The ports available on the FIFO_DC are:

- Reset
- RPRreset
- WrClock
- RdClock
- WrEn
- RdEn
- Data
- Q
- Full Flag
- Almost Full Flag
- Empty Flag
- Almost Empty Flag

FIFO_DC Flags

The FIFO_DC, as an emulated FIFO, required the flags to be implemented in the FPGA logic around the block RAM. Because of the two clocks, the flags were required to change clock domains from read clock to write clock and vice versa. This adds latency to the flags either during assertion or de-assertion. The latency can be avoided only in one of the cases (either assertion or de-assertion) or distributed among these cases.

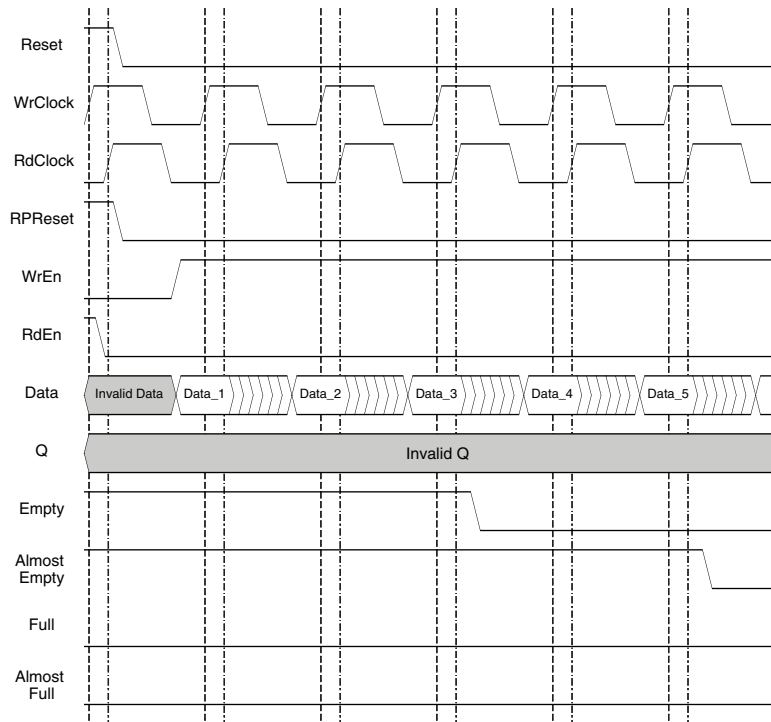
In the current emulated FIFO_DC, there is no latency during assertion of these flags which we feel is more important. Thus, when these flags are required to go true, there is no latency. However, due to the design of the flag logic running on two clock domains, there is latency during the de-assertion.

Let us assume that we start to write into the FIFO_DC to fill it. The write operation is controlled by WrClock and WrEn, however it takes extra RdClock cycles for de-assertion of the Empty and Almost Empty flags.

On the other hand, de-assertion of Full and Almost Full result in the reading out of the data from the FIFO_DC. It takes extra WrClock cycles, after reading this data, for the flags to come out.

With this in mind, let us look at the FIFO_DC without output registers waveforms. Figure 10-30 shows the operation of the FIFO_DC when it is empty and the data starts to be written into it.

Figure 10-30. FIFO_DC without Output Registers, Start of Data Write Cycle

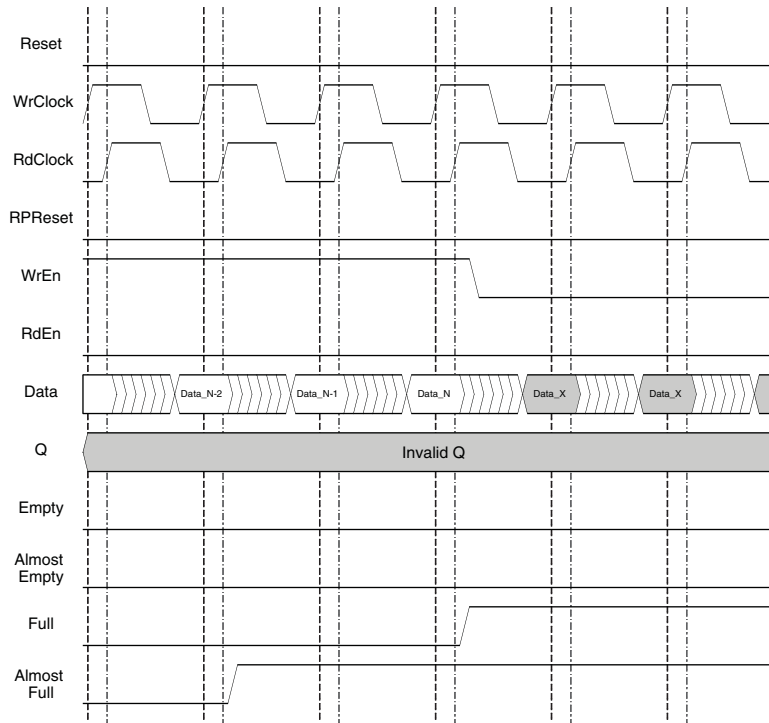


The WrEn signal must be high to start writing into the FIFO_DC. The Empty and Almost Empty flags are high to begin and Full and Almost full are low.

When the first data is written into the FIFO_DC, the Empty flag de-asserts (or goes low), as the FIFO_DC is no longer empty. In this figure we assume that the Almost Empty setting flag setting is 3 (address location 3). So the Almost Empty flag is de-asserted when the third address location is filled.

Now let us assume that we continue to write into the FIFO_DC to fill it. When the FIFO_DC is filled, the Almost Full and Full Flags are asserted. Figure 10-31 shows the behavior of these flags. In this figure the FIFO_DC depth is 'N'.

Figure 10-31. FIFO_DC without Output Registers, End of Data Write Cycle



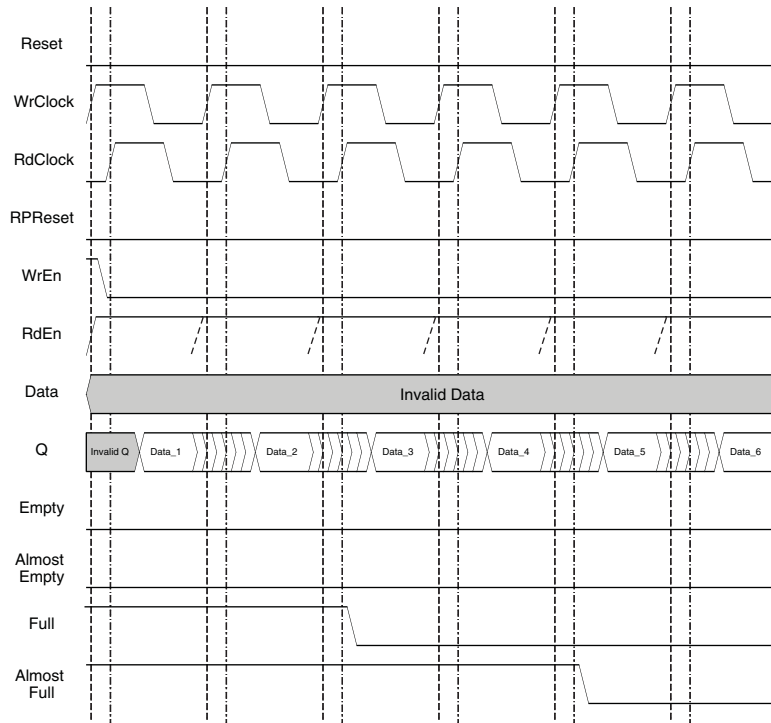
In this case, the Almost Full flag is in the 2 location before the FIFO_DC is filled. The Almost Full flag is asserted when the N-2 location is written, and the Full flag is asserted when the last word is written into the FIFO_DC.

Data_X data inputs do not get written as the FIFO_DC is full (the Full flag is high).

Note that the assertion of these flags is immediate and there is no latency when they go true.

Now let us look at the waveforms when the contents of the FIFO_DC are read out. Figure 10-32 shows the start of the read cycle. RdEn goes high and the data read starts. The Full and Almost Full flags are de-asserted, as shown. In this case, note that the de-assertion is delayed by two clock cycles.

Figure 10-32. FIFO_DC without Output Registers, Start of Data Read Cycle



Similarly, as the data is read out, and FIFO_DC is emptied, the Almost Empty and Empty flags are asserted.

Figure 10-33. FIFO_DC without Output Registers, End of Data Read Cycle

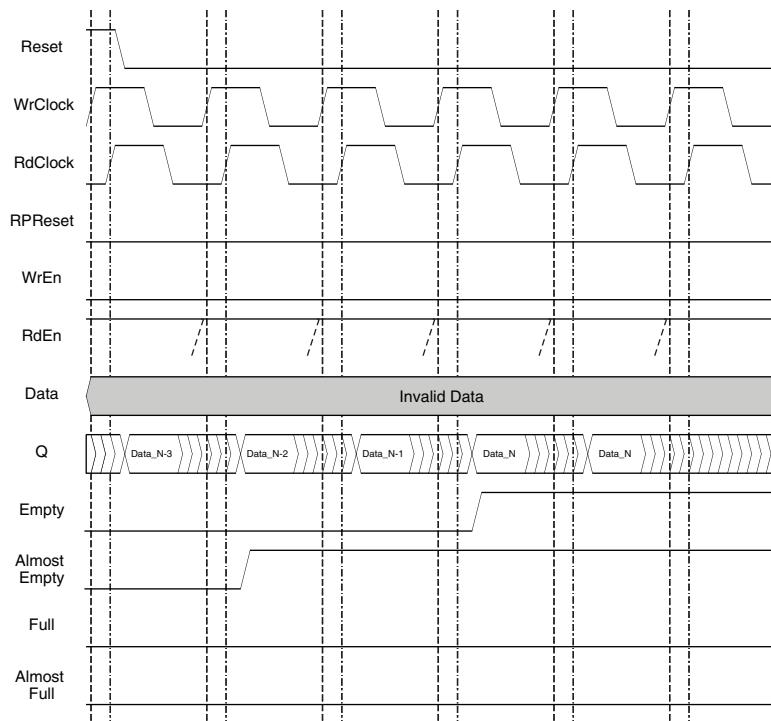


Figure 10-33 show the behavior of non-pipelined FIFO_DC or FIFO_DC without output registers. When we pipeline the registers, the output data is delayed by one clock cycle. There is an extra option for the output registers to be enabled by the RdEn signal.

Figures 10-34 to 10-37 show the similar waveforms for the FIFO_DC with output register and without output register enable with RdEn. Note that flags are asserted and de-asserted with similar timing to the FIFO_DC without output registers. However, it is only the data out 'Q' that is delayed by one clock cycle.

Figure 10-34. FIFO_DC with Output Registers, Start of Data Write Cycle

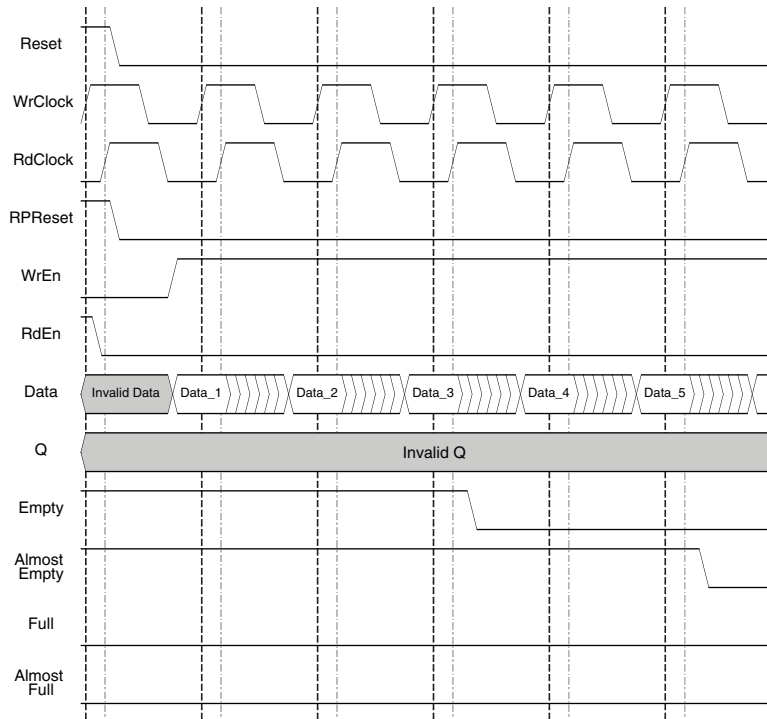


Figure 10-35. FIFO_DC with Output Registers, End of Data Write Cycle

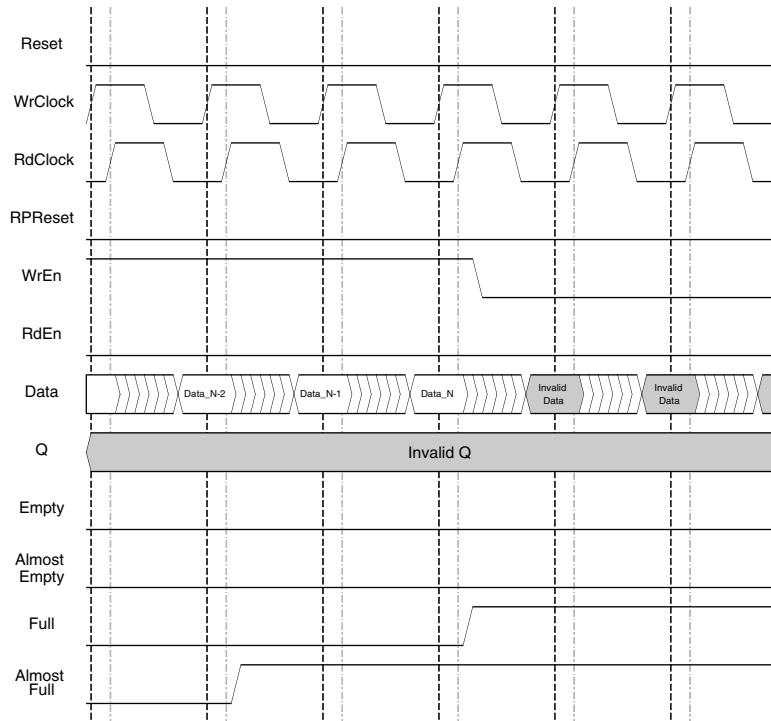


Figure 10-36. FIFO_DC with Output Registers, Start of Data Read Cycle

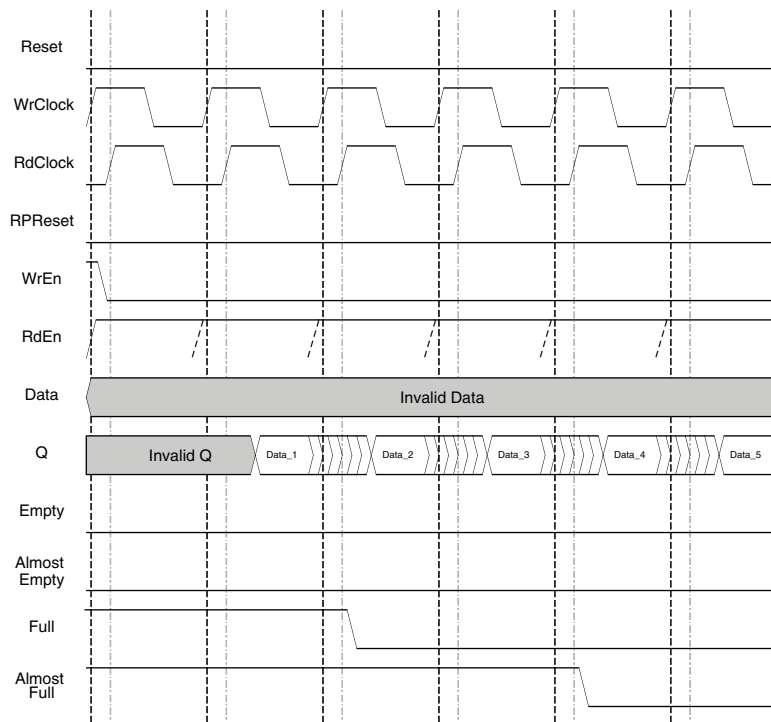
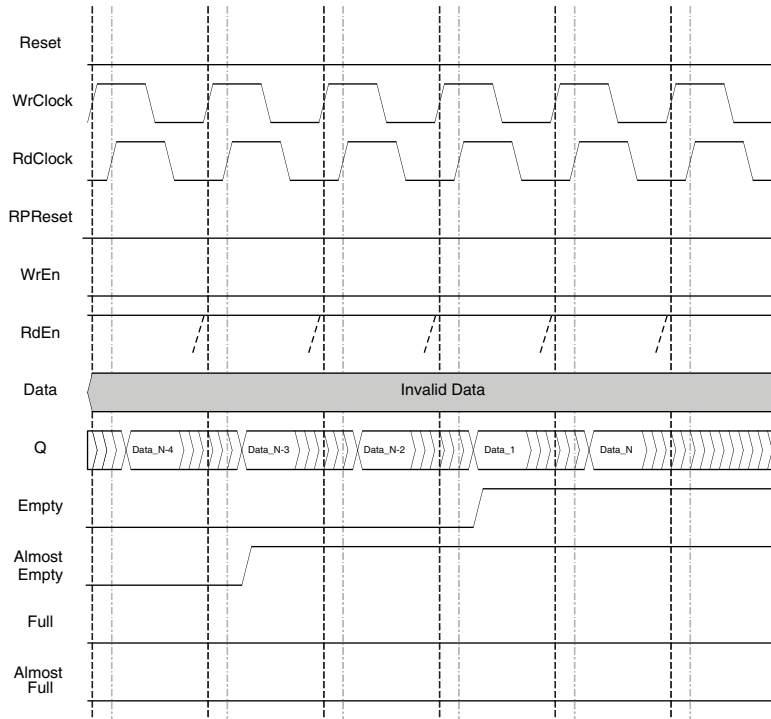
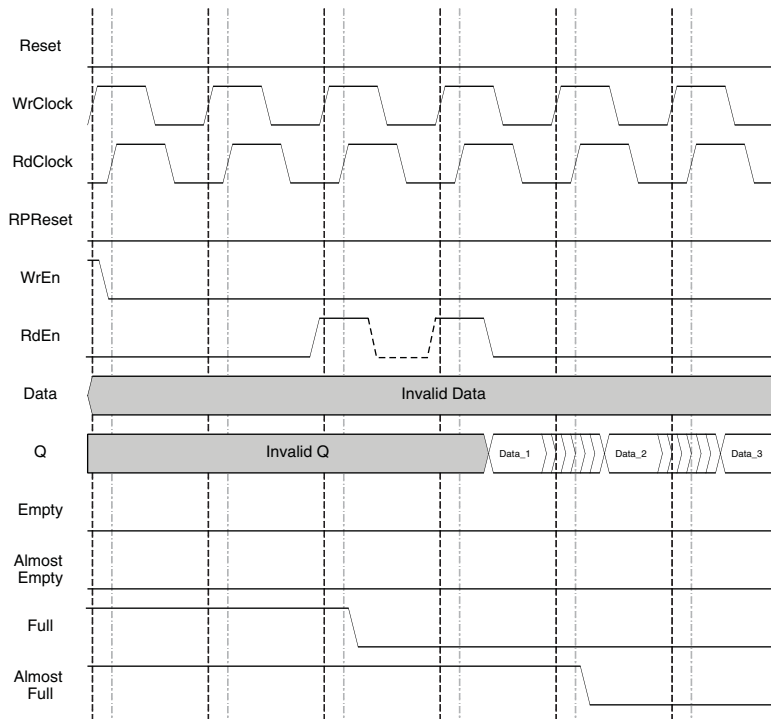


Figure 10-37. FIFO_DC with Output Registers, End of Data Read Cycle



And finally, if you select the option to enable the output register with RdEn, it still delays the data out by one clock cycle (as compared to the non-pipelined FIFO_DC). The RdEn should also be high during that clock cycle, otherwise the data takes an extra clock cycle when the RdEn is goes true.

Figure 10-38. FIFO_DC with Output Registers and RdEn on Output Registers

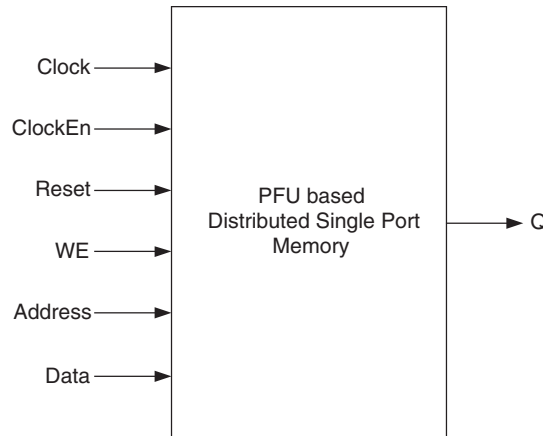


Distributed Single Port RAM (Distributed_SPRAM) – PFU Based

PFU-based Distributed Single Port RAM is created using the 4-input LUT (Look-Up Table) available in the PFU. These LUTs can be cascaded to create larger Distributed Memory sizes.

Figure 10-39 shows the Distributed Single Port RAM module as generated by IPexpress.

Figure 10-39. Distributed Single Port RAM Module Generated by IPexpress



The generated module makes use 4-input LUT available in the PFU. Additional logic like Clock, Reset is generated by utilizing the resources available in the PFU.

Ports such as Read Clock (RdClock) and Read Clock Enable (RdClockEn), are not available in the hardware primitive. These are generated by IPexpress when the user wants the to enable the output registers in their IPexpress configuration.

The various ports and their definitions for the memory are as per Table 10-14. The table lists the corresponding ports for the module generated by IPexpress and for the primitive.

Table 10-14. PFU-based Distributed Single Port RAM Port Definitions

Port Name in Generated Module	Port Name in the PFU Primitive	Description	Active State
Clock	CK	Clock	Rising Clock Edge
ClockEn	—	Clock Enable	Active High
Reset	—	Reset	Active High
WE	WRE	Write Enable	Active High
Address	AD[3:0]	Address	—
Data	DI[1:0]	Data In	—
Q	DO[1:0]	Data Out	—

Ports such as Clock Enable (ClockEn) are not available in the hardware primitive. These are generated by IPexpress when the user wishes to enable the output registers in the IPexpress configuration.

Users have the option of enabling the output registers for Distributed Single Port RAM (Distributed_SPRAM). Figures 10-40 and 10-41 show the internal timing waveforms for the Distributed Single Port RAM (Distributed_SPRAM) with these options.

Figure 10-40. PFU Based Distributed Single Port RAM Timing Waveform - without Output Registers

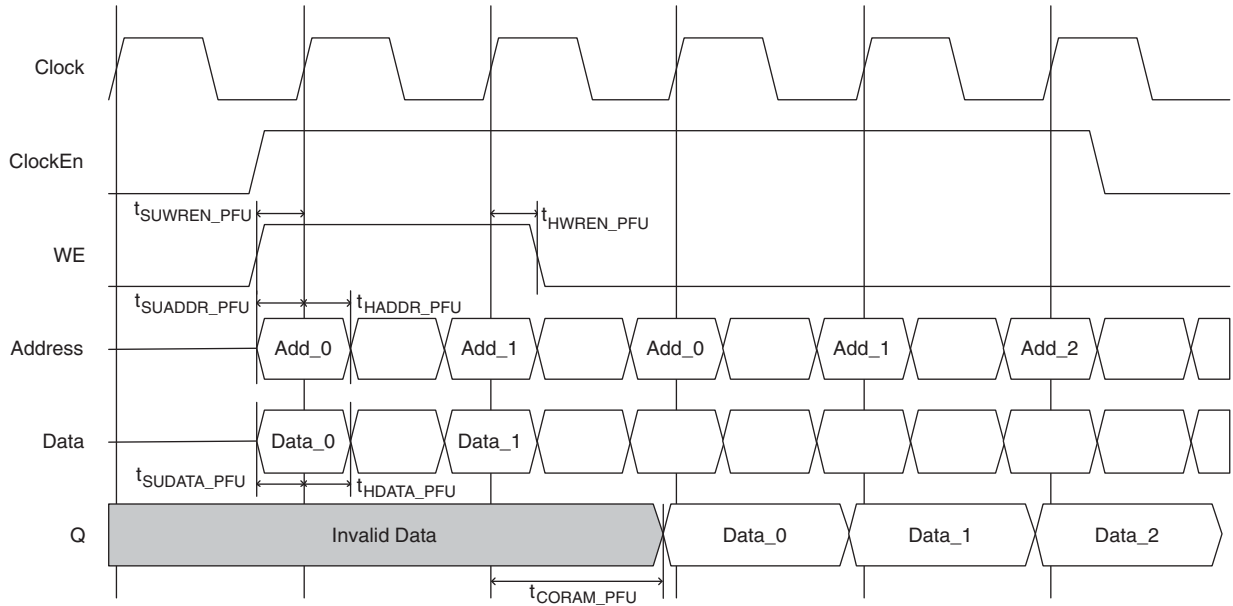
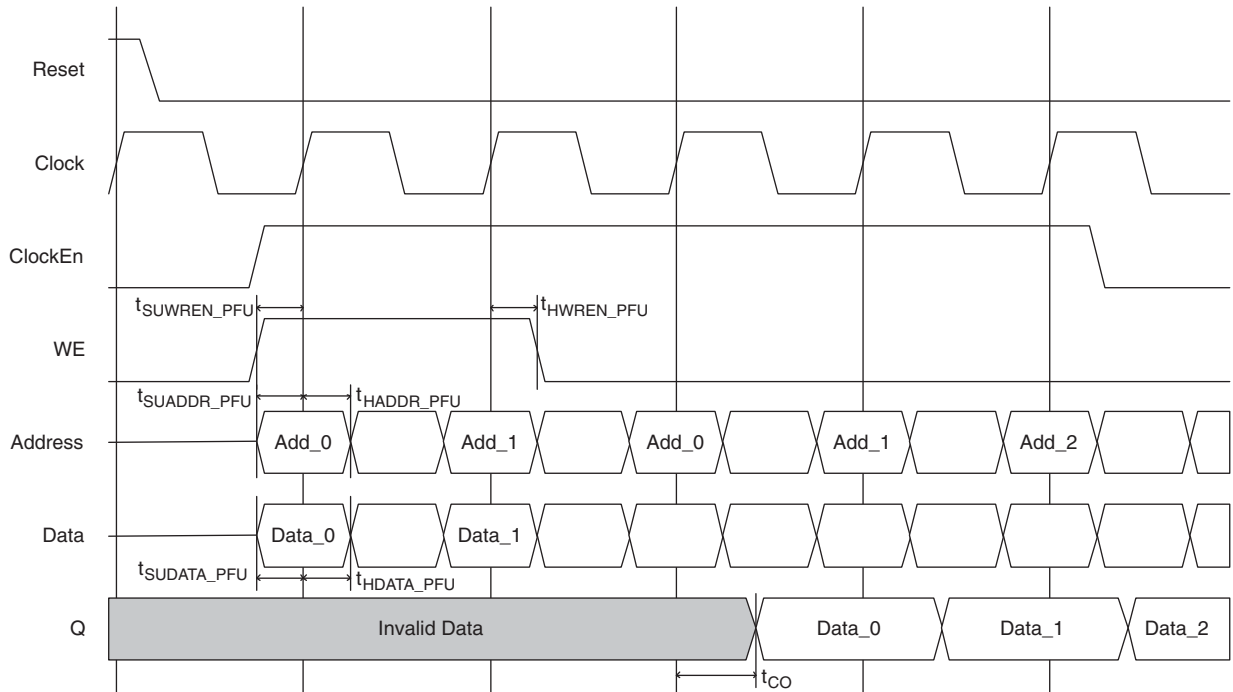


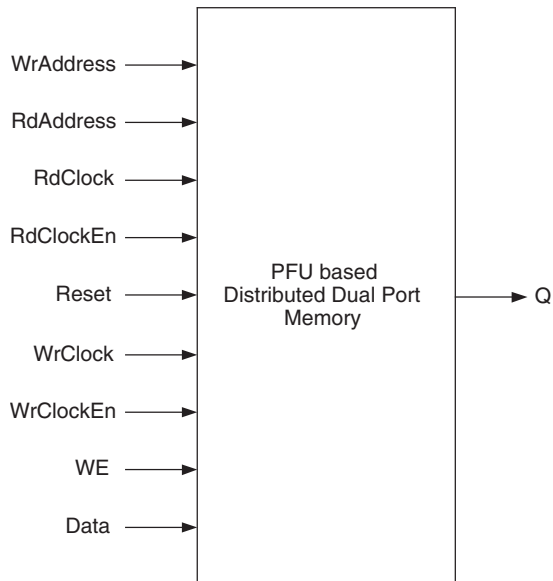
Figure 10-41. PFU Based Distributed Single Port RAM Timing Waveform - with Output Registers



Distributed Dual Port RAM (Distributed_DPRAM) – PFU Based

PFU-based Distributed Dual Port RAM is also created using the 4-input LUT (Look-Up Table) available in the PFU. These LUTs can be cascaded to create a larger Distributed Memory sizes.

Figure 10-42. Distributed Dual Port RAM Module Generated by IPexpress



The generated module makes use of the 4-input LUT available in the PFU. Additional logic like Clock and Reset is generated by utilizing the resources available in the PFU.

Ports such as Read Clock (RdClock) and Read Clock Enable (RdClockEn), are not available in the hardware primitive. These are generated by IPexpress when the user wants to enable the output registers in the IPexpress configuration.

The various ports and their definitions for memory are as per Table 10-15. The table lists the corresponding ports for the module generated by IPexpress and for the primitive.

Table 10-15. PFU-based Distributed Dual-Port RAM Port Definitions

Port Name in Generated Module	Port Name in the EBR Block Primitive	Description	Active State
WrAddress	WAD[3:0]	Write Address	—
RdAddress	RAD[3:0]	Read Address	—
RdClock	—	Read Clock	Rising Clock Edge
RdClockEn	—	Read Clock Enable	Active High
WrClock	WCK	Write Clock	Rising Clock Edge
WrClockEn	—	Write Clock Enable	Active High
WE	WRE	Write Enable	Active High
Data	DI[1:0]	Data Input	—
Q	RDO[1:0]	Data Out	—

Ports such as Read Clock (RdClock) and Read Clock Enable (RdClockEn) are not available in the hardware primitive. These are generated by IPexpress when the user wants to enable the output registers in the IPexpress configuration.

Users have the option of enabling the output registers for Distributed Dual Port RAM (Distributed_DPRAM). Figures 10-43 and 10-44 show the internal timing waveforms for the Distributed Dual Port RAM (Distributed_DPRAM) with these options.

Figure 10-43. PFU Based Distributed Dual Port RAM Timing Waveform - without Output Registers

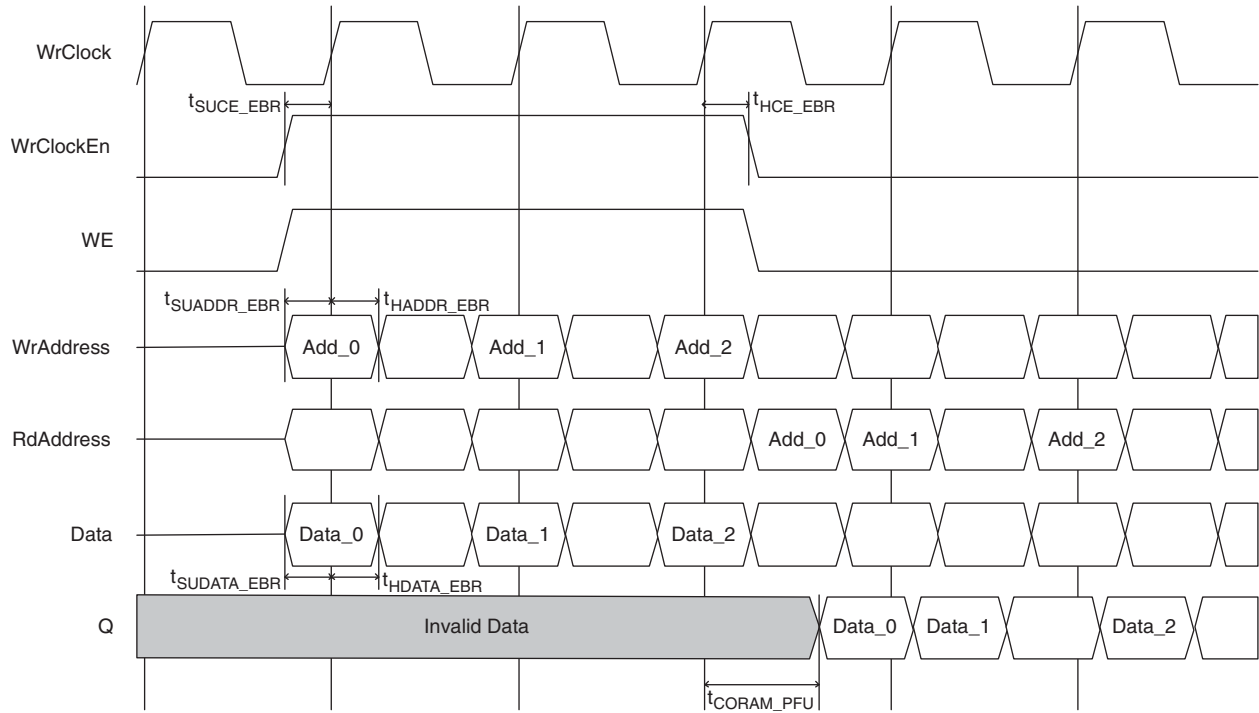
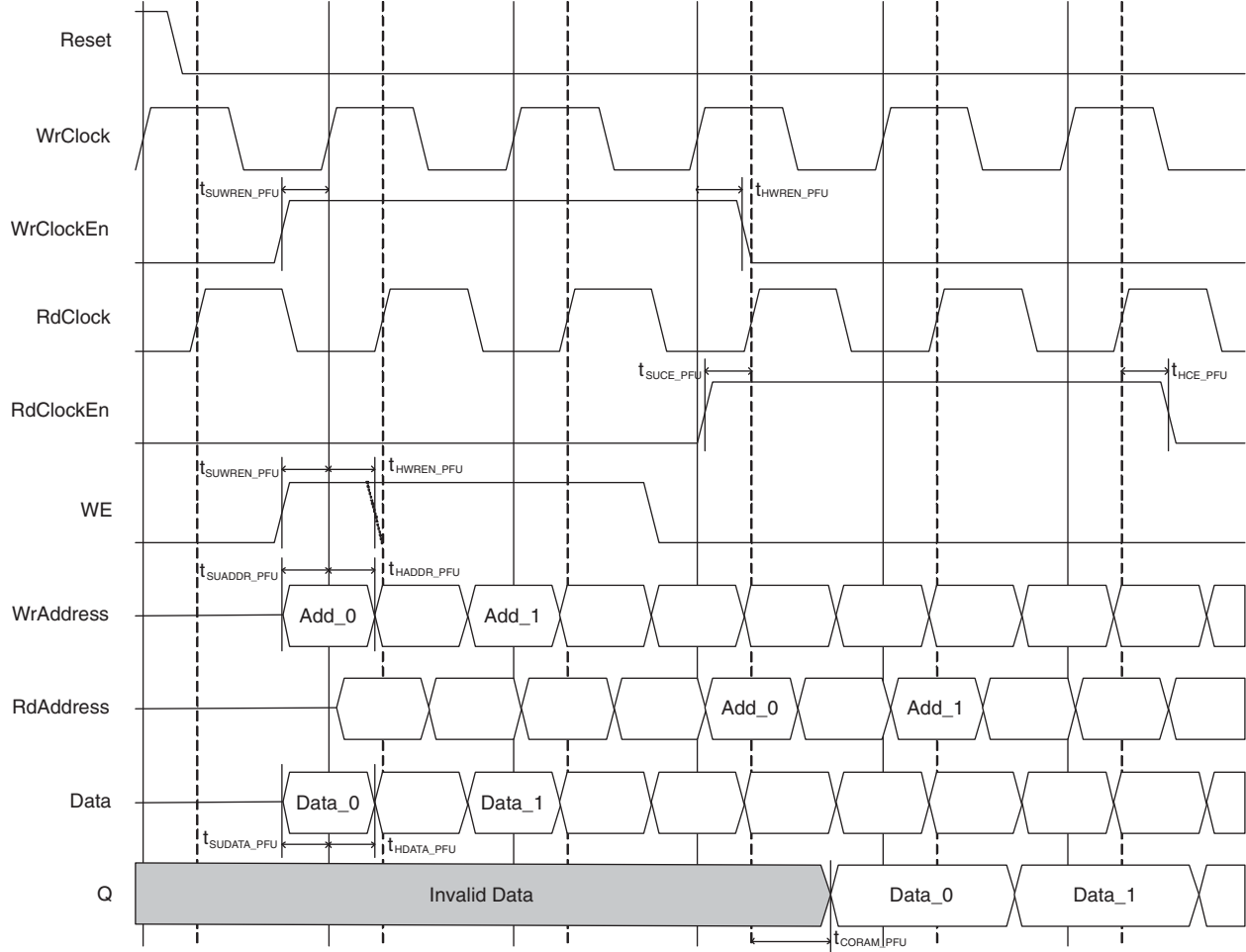


Figure 10-44. PFU Based Distributed Dual Port RAM Timing Waveform - with Output Registers

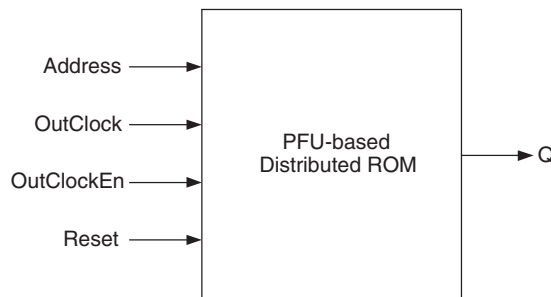


Distributed ROM (Distributed_ROM) – PFU Based

PFU-based Distributed ROM is also created using the 4-input LUT (Look-Up Table) available in the PFU. These LUTs can be cascaded to create larger Distributed Memory sizes.

Figure 10-45 shows the Distributed ROM module as generated by IPexpress.

Figure 10-45. Distributed ROM Generated by IPexpress



The generated module makes use of the 4-input LUT available in the PFU. Additional logic like Clock and Reset is generated by utilizing the resources available in the PFU.

Ports such as Out Clock (OutClock) and Out Clock Enable (OutClockEn) are not available in the hardware primitive. These are generated by IPexpress when the user wants to enable the output registers in the IPexpress configuration.

The various ports and their definitions for memory are as per Table 10-16. The table lists the corresponding ports for the module generated by IPexpress and for the primitive.

Table 10-16. PFU-based Distributed ROM Port Definitions

Port Name in Generated Module	Port Name in the PFU Block Primitive	Description	Active State
Address	AD[3:0]	Address	—
OutClock	—	Out Clock	Rising Clock Edge
OutClockEn	—	Out Clock Enable	Active High
Reset	—	Reset	Active High
Q	DO	Data Out	—

Users have the option to enable the output registers for Distributed ROM (Distributed_ROM). Figures 10-46 and 10-47 show the internal timing waveforms for the Distributed ROM with these options.

Figure 10-46. PFU Based ROM Timing Waveform – without Output Registers

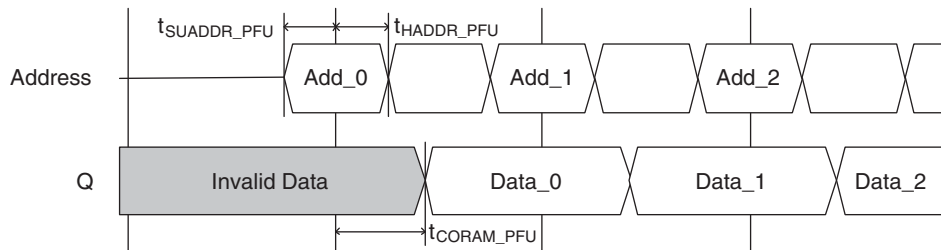
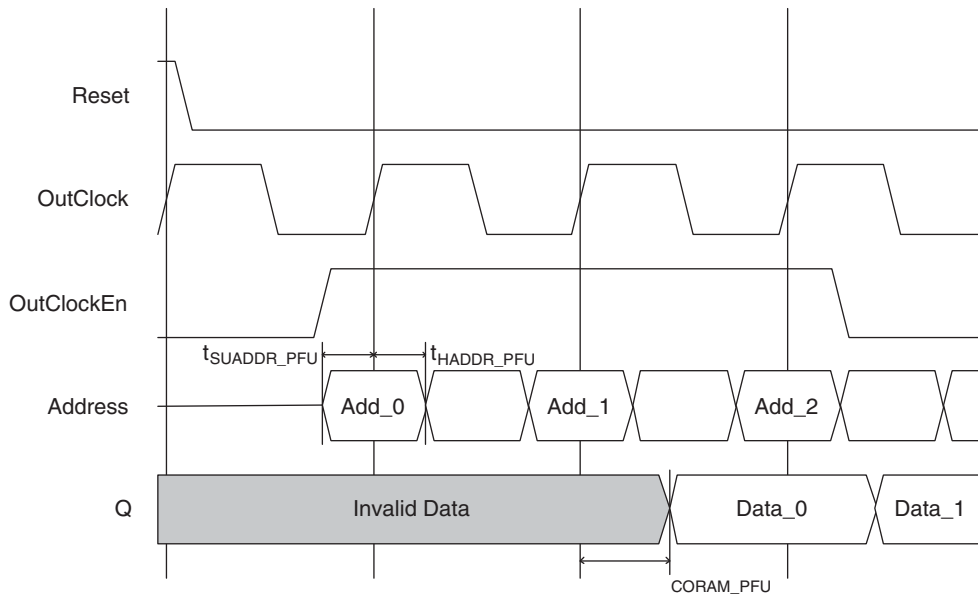


Figure 10-47. PFU Based ROM Timing Waveform – with Output Registers



User TAG Memory

The TAG memory is an area on the on-chip Flash which can be used for non-volatile storage. It is accessed in your design as if it were an external SPI Flash. Both SPI bus operation modes 0 (0,0) and 3 (1,1) are supported.

Figure 10-48. SSPIA Primitive



Table 10-17. User TAG Memory Signal Description

Primitive Port Name	Description
SI	Data input
SO	Data output
CLK	Clock
CS	Chip select

Basic Specifications for TAG Memory

There is one full page of TAG memory in each LatticeXP2 device. Page size ranges from 56 to 451 bytes.

Table 10-18. TAG Memory Density

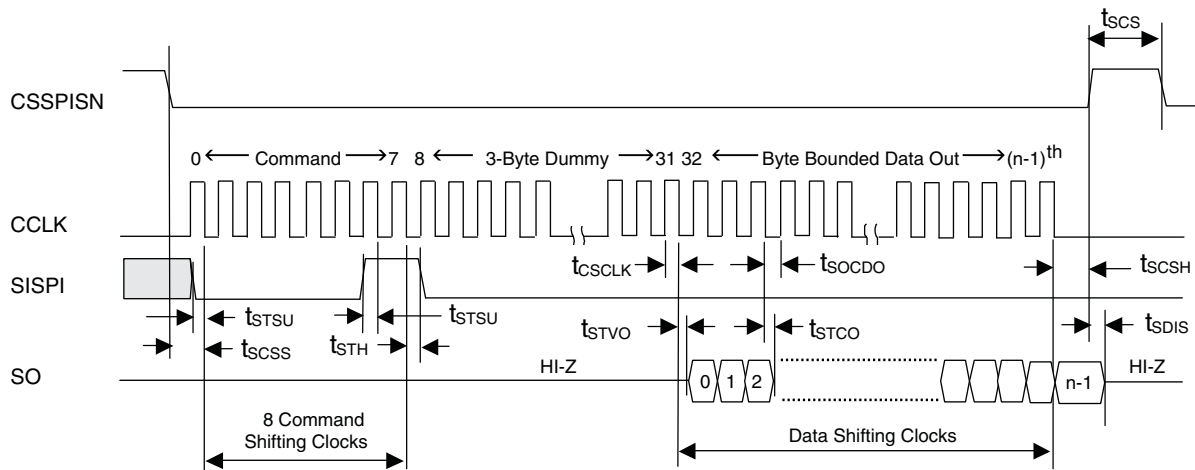
Device	TAG Memory (Bits)	TAG Memory (Bytes)
XP2-5	632	79
XP2-8	768	96
XP2-17	2184	273
XP2-30	2640	330
XP2-40	3384	423

Table 10-19. Timing Specifications

Symbol	Parameter	Min	Max	Units
f_{MAXSPI}	Slave SPI CCLK Clock Frequency		25	MHz
t_{RF}	Clock and Data Input Rise and Fall Time		20	ns
t_{CSCCLK}	Slave SPI CCLK Clock High Time	20		ns
t_{SOCDO}	Slave SPI CCLK Clock Low Time	20		ns
t_{SCS}	CSSPIN High Time	25		ns
t_{SCSS}	CSSPIN Setup Time	25		ns
t_{SCSH}	CSSPIN Hold Time	25		ns
t_{STSU}	Slave SPI Data In Setup Time	5		ns
t_{STH}	Slave SPI Data In Hold Time	5		ns
t_{STVO}	Slave SPI Output Valid (after WRITE_EN)		20	ns
	Slave SPI Output Valid (without WRITE_EN)(1)	3	20	μ s
t_{STCO}	Slave SPI Output Hold Time	0		ns
t_{SDIS}	Slave SPI Output Disable Time		100	ns

Note: If the READ_TAG command is issued without first loading the WRITE_EN command, the device will need extra time, up to 20 μ s maximum, to transfer the data from TAG Flash to the data-shift register.

Figure 10-49. Generic Timing Diagram



Programming via the SPI Interface

Since the SSPIA module is an internal module, I/Os can be treated as I/Os of any other soft module. Therefore, they can be routed to other internal modules, or they can go out to I/O pads. The recommended routing is to the sysCONFIG port pins.

Table 10-20. Usage Of Commands

Command Name	OPCODE	Bytes 1-3 ^{1,2}	Data	Delay Time	Description
READ_TAG	0x4E	Dummy	Out	3 μ s min.	Read TAG memory
PROGRAM_TAG	0x8E	Dummy	In	1ms min., 25ms max.	Program TAG memory
ERASE_TAG	0x0E	Dummy		100ms min., 1000ms max.	Erase TAG memory

1. Data bytes are shifted with most significant bit first.
2. Byte 1-3 are dummy clocks to provide extra timing for the device to execute the command. The data presented at the SI pin during these dummy clocks can be any value and do not have to be 0x00 as shown.

General Description

The LatticeXP2 family of devices is designed with instant-on, standalone TAG memory that is always available.

TAG memory is organized as a one-page Flash non-volatile memory accessible by the hardwired Serial Peripheral Interface port or the JTAG port.

The standalone TAG memory is ideal for use as scratch pad memory for critical data, board serialization, board revision logs and programmed pattern identification.

The integration of TAG memory into the LatticeXP2 device family saves chip count and board space. It also can be used to replace obsoleted low-density SPI EEPROM devices.

The hardwired SPI interface does not require the device to pre-program the configuration Flash first to enable the SPI interface. The interface is already enabled when the device is shipped from Lattice, saving board test time.

The hard-wired SPI interface allows the TAG memory to retain its independent identity or accessible always in spite of the TAG Memory Flash is embedded into the LatticeXP2 devices.

The hard-wired SPI interface is also important for field upgrades so that critical data can be maintained on the TAG memory and guaranteed to be accessible even if the device is field upgraded to a new pattern.

The instant-on capability is achieved by enabling the SPI interface when the devices are shipped from Lattice. Unlike the configuration Flash, the security setting of the device, standard or advanced, has no effect on the accessibility of the TAG memory. Therefore, the TAG memory is always accessible.

The TAG memory, same as other Flash fuses, can also be programmed using the IEEE 1532 compliant programming flow on the JTAG port for production programming support or for system debugging.

Pin Descriptions

The pins described below are not dedicated pins. If the TAG memory feature is not required, these pins can be regular user I/O pins. If the TAG memory feature is required, the TAG memory can be accessed by the internal SPI interface through the core. The internal SPI interface makes the TAG Memory capable of supporting advanced applications. For example:

1. Use an I²C to SPI translator to convert the SPI TAG memory to be an I²C TAG memory device.
2. Route the four SPI interfaces to the other four user I/Os.

Selections are made using the ispLEVER design tool. By default, the external SPI interface is enabled and TAG memory is selected.

The functional descriptions of the pins below are applicable to both the internal and external SPI interfaces.

Serial Data Input (SI)

The SPI Serial Data Input pin provides a means for commands and data to be serially written to (shifted into) the device. Data is latched on the falling edge of the serial clock (CLK) input pin.

Serial Data Output (SO)

The SPI Serial Data Output pin provides a means for status and data to be serially read out (shifted out of) the device. Data is shifted out on the falling edge of the serial clock (CLK) input pin.

Serial Clock (CLK)

The SPI Serial Clock Input pin provides the timing for serial input and output operations.

Chip Select (CS)

The SPI Chip Select pin enables and disables SPI interface operations. When the Chip Select is high the SPI interface is deselected and the Serial Data Output (SO) pin is at high impedance. When it is brought low, the SPI inter-

face is selected and commands can be written into and data read from the device. After power up, CS must transit from high to low before a new command can be accepted.

SPI Operations

SPI Modes

The SPI interface is accessible through the SPI-compatible bus consisting of four signals: Serial Clock (CLK), Chip Select (CS), Serial Data Input (SI) and Serial Data Output (SO). Both SPI bus operation Modes 0 (0,0) and 3 (1,1) are supported. The primary difference between Mode 0 and Mode 3 concerns the normal state of the CLK pin when the SPI master is in standby and data is not being transferred to the device's SPI interface. For Mode 0 the CLK is normally low and for Mode 3 the CLK signal is normally high. In either case, data input on the SI pin is sampled only during the rising edge. Data output on the SO pin is clocked out only on the falling edge of CLK.

Status Register

The SPI interface can access the 1-bit status register required to support TAG Memory Flash programming.

The programming complete status register: This is the single bit status register for pooling. If the programming or erase operation is complete, then the status bit is set to 1, otherwise it is set to 0 for more programming or erase time.

Commands

Table 10-21. Commands

Command Name	Byte 1 (Opcode)	Byte 2	Byte 3	Byte 4	Byte 5	Byte 6	n-Byte
READ_ID	0x98	0x00	0x00	0x00	(D0-D7)	(D8-D15)	(D24-D31)
WRITE_EN	0xAC	0x00	0x00	0x00			
WRITE_DIS	0x78	0x00	0x00	0x00			
ERASE_TAG	0x0E	0x00	0x00	0x00			
PROGRAM_TAG	0x8E	0x00	0x00	0x00	D7-D0	Next Byte	Last Byte
READ_TAG	0x4E	0x00	0x00	0x00	(D7-D0)	(Next Byte)	(Continue)
STATUS	0x4A	0x00	0x00	0x00	(b1xxxxxxx or b0xxxxxxx)		

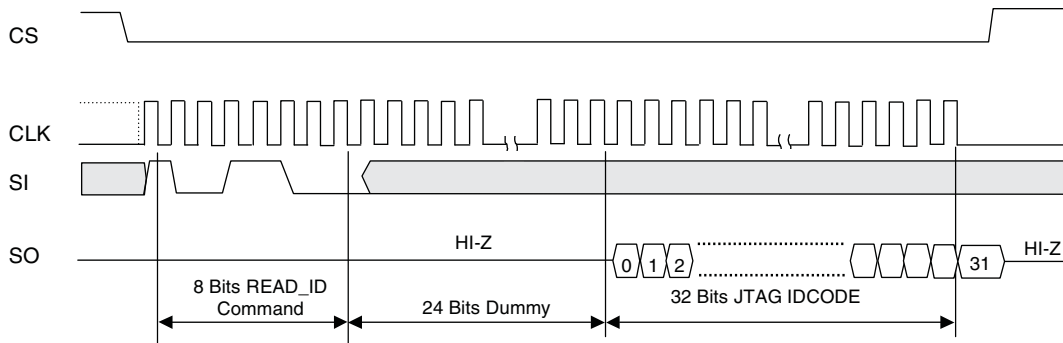
Notes:

1. Data bytes are shifted with most significant bit first. Byte field with data in parenthesis () indicate data being read from the SO pin.
2. Byte 2-4 are dummy clocks to provide extra timing for the device to execute the command. The data presented at the SI pin during these dummy clocks can be any value and do not have to be 0x00 as shown.
3. The READ_ID command reads out the 32 bits JTAG IDCODE of the device. The first bit shifted out on SO pin is thus bit 0 of the JTAG IDCODE and the last bit is bit 31 of the IDCODE.
4. The PROGRAM_TAG command supports page programming only. The programming data shift into the TAG Memory must be exactly the same size as the one page of the TAG Memory. Under shifting or over shifting will cause erroneous data programmed into the TAG Memory. The Last Byte shown on the n-Byte column indicates the last byte of the data must be shifted into the device before driving the Chip Select to high to start the programming action.
5. The STATUS command read from the single bit status register. When read from the register, only the first bit is valid, the other bits are dummies and should be ignored.

READ_ID (98h)

The READ_ID command captures the IEEE 1149.1 JTAG IDCODE out of the device on the SO pin. This command is commonly used to verify whether communication is established with the SPI bus. After the 8-bit READ_ID command is received, the device ignores the data presented at the Serial Data Input (SI) pin. The Serial Output (SO) pin is enabled on the falling edge of clock 31 to drive out the first bit of the IDCODE. After 32 bits of the IDCODE are shifted out, additional clocking will cause dummy data to be shifted out on SO.

Figure 10-50. READ_ID Waveform



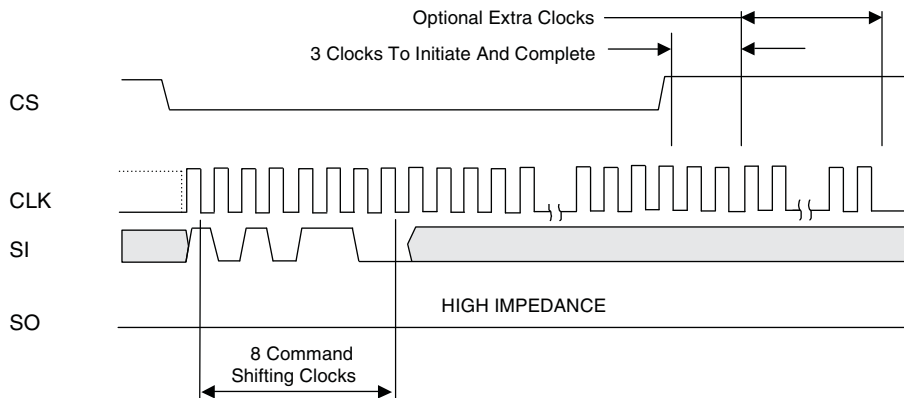
WRITE_EN (ACh)

The WRITE_EN command enables the TAG memory for programming. If the WRITE_EN command has not been shifted into the device first, the PROGRAM_TAG, ERASE_TAG and STATUS commands do not take effect. This is to prevent the TAG memory from erroneous erase or program.

The command is executed when the Chip Select pin is driven from low to high after the 24th dummy clock. Any extra dummy clocks, if presented before driving the Chip Select pin to high, are ignored. After the Chip Select pin is driven from low to high, a minimum of three clocks are required to complete the execution of the command.

The effect of this command is terminated by the WRITE_DIS command.

Figure 10-51. WRITE_EN Waveform

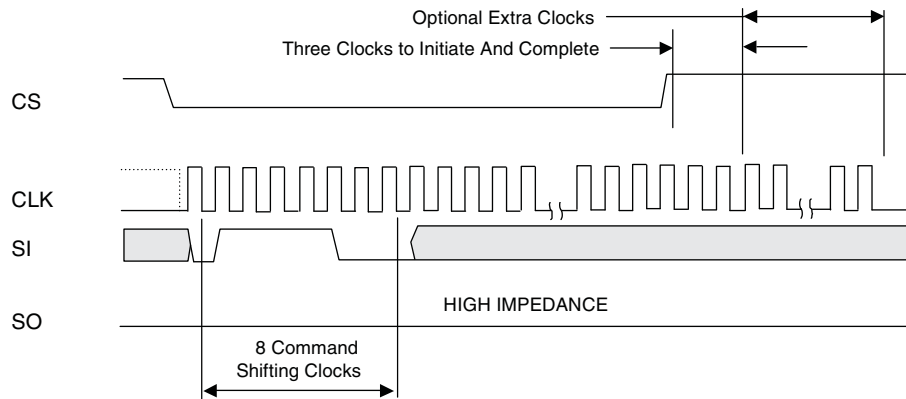


WRITE_DIS (78h)

The WRITE_DIS command disables the TAG memory for programming. It does not nullify the READ_TAG and READ_ID commands.

The command is executed when the Chip Select pin is driven from low to high after the 24th dummy clock. Any extra dummy clocks, if presented before driving the Chip Select pin to high, are ignored. After the Chip Select pin is driven from low to high, a minimum of three clocks are required to complete the execution of the command.

Figure 10-52. WRITE_DIS Waveform



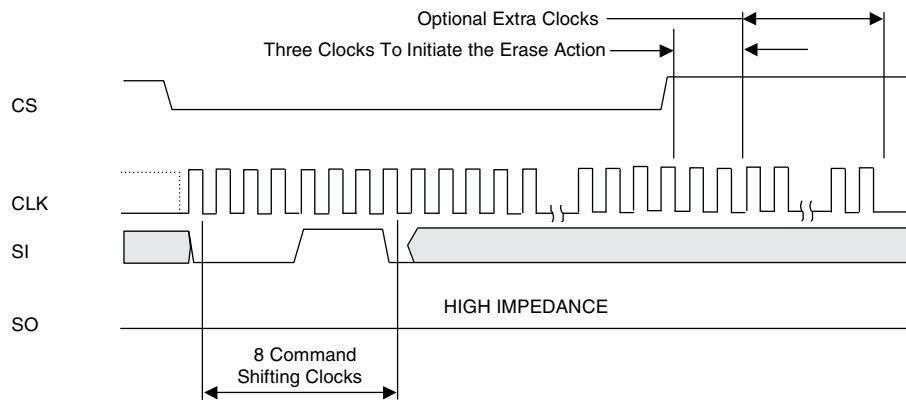
ERASE_TAG (0Eh)

The ERASE_TAG command is enabled after the command WRITE_EN has been shifted into the device and executed. The ERASE_TAG command erases all the TAG Memory Flash cells.

The command is executed when the Chip Select pin is driven from low to high after the 24th dummy clock. Any extra dummy clocks, if presented before driving the Chip Select pin to high, are ignored. After the Chip Select pin is driven from low to high, a minimum of three clocks is required to initiate the erase action. After the three clocks, extra clocks are optional. Once the erase action is initiated, it will be carried out until it is done. There is no mechanism to terminate the erase action.

This command sets the STATUS bit to 0 when the erase action begins. The programming engine sets the status bit to 1 when the erase is done successfully.

Figure 10-53. ERASE_TAG Waveform



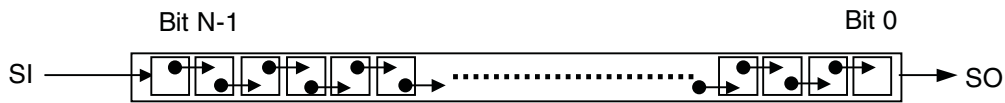
PROGRAM_TAG (8Eh)

The PROGRAM_TAG is enabled after the command WRITE_EN has been shifted into the device and executed. The PROGRAM_TAG command programs the entire TAG memory page at once.

After the command is shifted into the device on the SI pin, and followed by 24 dummy clocks, the TAG memory column decoder serves as the data buffer for the programming data to be shifted into serially. The shifting direction is from left to right, as shown. The first bit to be shifted out closest to the SO pin appears on the right-most side of the shift register. The data buffer functions like a FIFO (First In First Out) serial data shift register. In order to make sure that bit 0 will be read out first, data bit 0 must be shifted into the right-most location of the data shift register. To achieve this, the data buffer must be filled up completely. Consequently, over-filling the data buffer will cause overflow of the data buffer, resulting in loss of data.

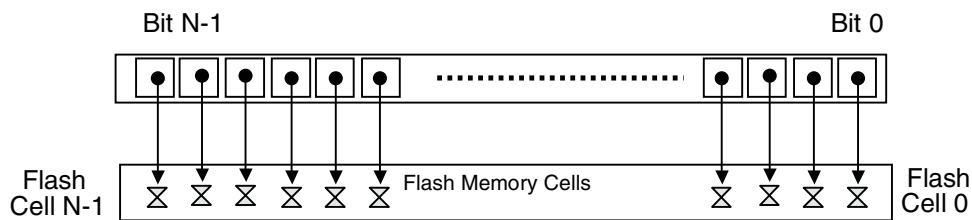
The SO pin stays in the HIGHZ state throughout this command.

Figure 10-54. Bit Shifting Order



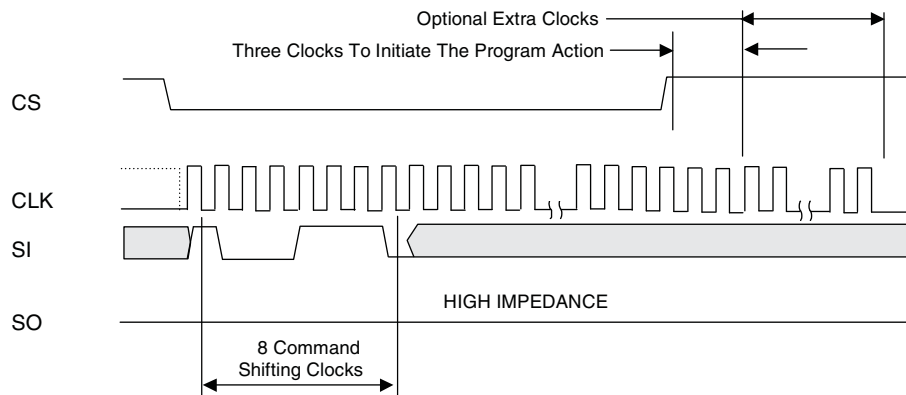
When the data buffer has filled up to one page of data, driving the Chip Select pin to high terminates the data shifting. After the Chip Select pin is driven from low to high, a minimum of three clocks are required to initiate the programming action. In the programming action, the data buffer content is copied in parallel from the data buffer into the TAG memory Flash cells. The status bit is set to 0 when the programming actions begin. The status bit is set to 1 when the programming action is done successfully.

Figure 10-55. Data Buffer to Flash Cell Mapping



When the programming action complete, the STATUS bit is set to 1. The exact same image is written into the Flash cells of the TAG Memory block when the programming action complete.

Figure 10-56. PROGRAM_TAG Waveform



READ_TAG (4Eh)

The READ_TAG command enables the Flash programming engine to transfer data programmed in the Flash cells to the data buffer. The transfer action starts on the third dummy clock after the 8-bit opcode. The delay time derived from the 21 dummy clocks is the time required to transfer the Flash cells data into the data buffer. The transfer action, once initiated, does not need the clock to continue to run. The clock count is only required to enable the SO pin. If the Flash circuitry is not yet enabled, the device will need extra delay time to enable the Flash circuitry before transfer can take place. This extra delay must be provided after the third dummy clock and before the 24th dummy clock.

If the READ_TAG command is preceded by the WRITE_EN command, then it is fast read. The device does not require extra delay to enable the Flash circuitry.

The 20 dummy clocks after the transfer is initiated to before enabling the SO pin are considered delay clocks.

Delay time = 20 x 1/frequency.

The transfer delay time, including the extra delay time to enable the Flash circuitry, is 5uS minimum. The clock frequency can then be set to 2.5 MHz if continuous clocking is desired.

When all the data captured into the data buffer are shifted out, additional clocks will shift out dummy data. The SI pin is not connected to the input of the data buffer when the READ_TAG command is shifted into the device. While the data in the data buffer is shifted out to the direction of SO, dummy data is shifted into the data buffer. Consequently, when over-shifting occurs, dummy data of unknown value is shifted out.

Figure 10-57. Readout Order

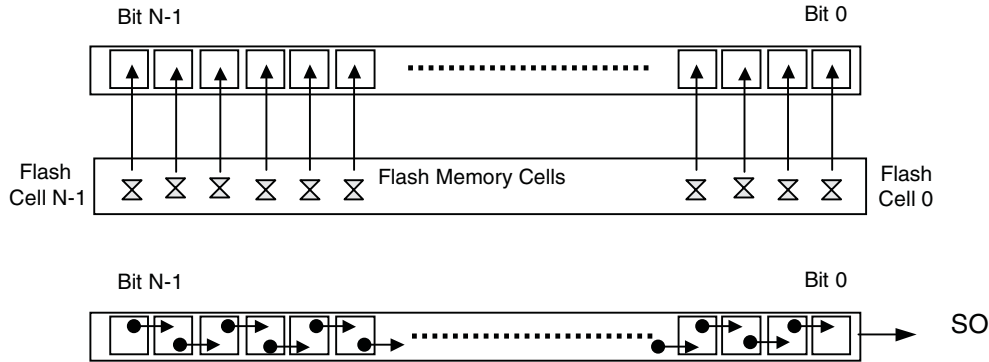
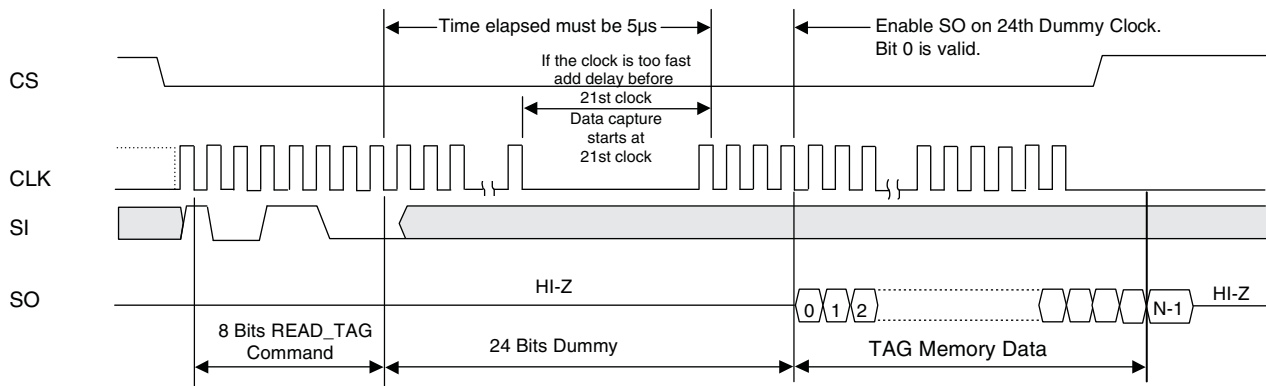


Figure 10-58. READ_TAG Waveform



STATUS (4Ah)

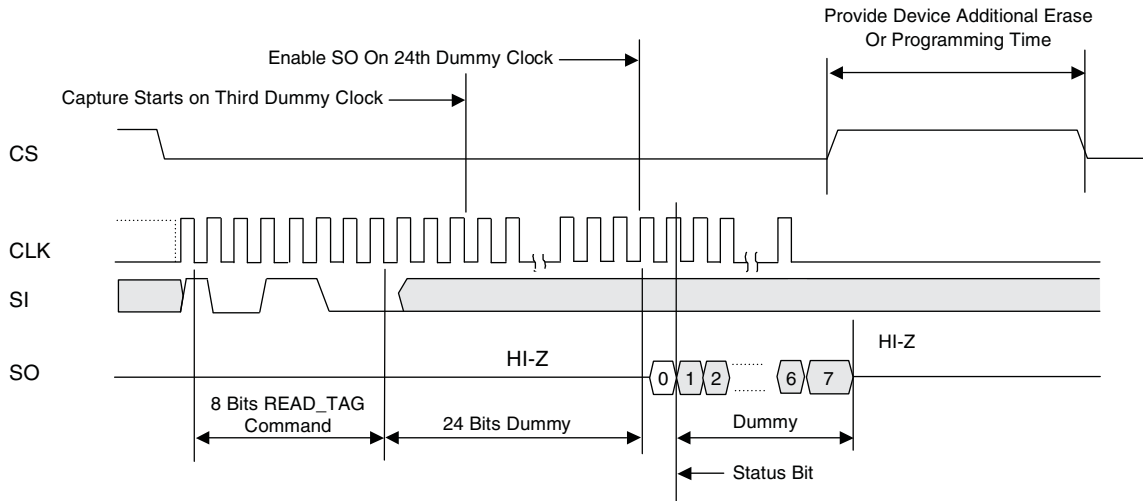
The STATUS command allows the single-bit status register to be read. This command can be loaded at any time after the WRITE_EN command has already been shifted into the device first. This command does not terminate the programming or erase action. It is used to report the progress of the programming or erase action.

The status register actual size is only 1 bit. Dummy data is shifted out on the SO pin if extra data shifting clocks are applied. The command can be shifted into the device again to capture the status bit and then read out.

During the interval of shifting the command, the additional programming or erase time is provided by driving the Chip Select pin to high and holding the CLK pin low. Clocking while holding the Chip Select pin high is optional.

If the maximum programming time or erasure has expired and the status bit still is not set to 1, then erase or programming has failed.

Figure 10-59. STATUS Waveform



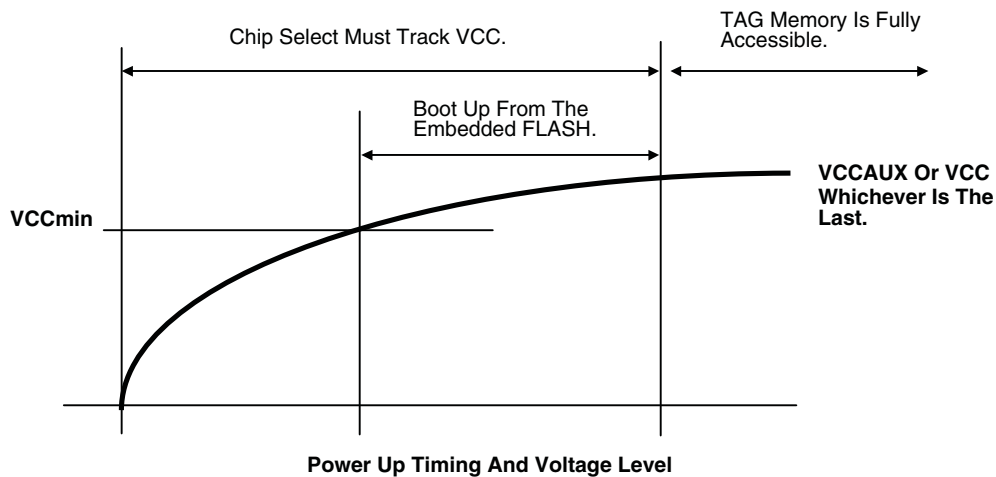
Specifications and Timing Diagrams

Powering Up

TAG memory is available when the boot-up either from the internal embedded Flash or from the external SPI Flash boot PROM is complete. If the embedded Flash is blank, the boot up will not work. It is recommended to wait for the same amount of delay as if the embedded configuration has been programmed before accessing the TAG memory. If the boot-up is from external SPI Flash, longer delay time should be given or check the DONE pin for a high first before accessing the TAG memory.

The SPI interface needs the low-to-high transition on the Chip Select pin to reset. During power-up, the low-to-high transition is assured by requiring the CLK pin tracking the VCC. The other method is to drive the Chip Select pin to high then low then high to reset the SPI interface before shifting the first command into the device.

Figure 10-60. Device Power-up Waveform



Availability of TAG Memory

TAG memory is available most of time on the Slave SPI interface with the following exceptions:

- When the SRAM fuses are being accessed by the JTAG port, Slave SPI interface or refreshing
- When the other Flash cells are being accessed through the JTAG port or Slave SPI interface
- While JTAG BSCAN testing is taking place
- The Slave SPI interface is disabled with the persistent fuse programmed (set to off)

AC Timing

- 25 MHz maximum CLK
- 5 uS minimum read command delay
- 2 mS minimum delay from VCCmin to shifting in the first command

Programming Timing

- 1 sec. maximum erase time
- 5 mS maximum programming time

Programming via the JTAG Interface

.VME files can be generated for the ispVM System software which only programs the TAG memory. These .VME files are handled according to the standard ispVME flow.

Initializing Memory

In the EBR based ROM or RAM memory modes and the PFU based ROM memory mode, it is possible to specify the power-on state of each bit in the memory array. Each bit in the memory array can have one of two values: 0 or 1.

Initialization File Format

The initialization file is an ASCII file, which users can create or edit using any ASCII editor. IPexpress supports three types of memory file formats:

- Binary file
- Hex File
- Addressed Hex

The file name for the memory initialization file is *.mem (<file_name>.mem). Each row depicts the value to be stored in a particular memory location and the number of characters (or the number of columns) represents the number of bits for each address (or the width of the memory module).

The Initialization File is primarily used for configuring the ROMs. The EBR in RAM mode can optionally use this Initialization File also to preload the memory contents.

The TAG memory uses hex or binary non-addressed files. Since it is a SPI, it cannot use the addressed hex file.

Binary File

The file is essentially a text file of 0's and 1's. The rows indicate the number of words and columns indicate the width of the memory.

```
Memory Size 20x32
00100000010000000010000001000000
00000001000000010000000100000001
00000010000000100000001000000010
00000011000000110000001100000011
00000100000001000000010000000100
00000101000001010000010100000101
00000110000001100000011000000110
00000111000001110000011100000111
00001000010010000000100001001000
00001001010010010010000100101001001
00001010010010100000101001001010
00001011010010110000101101001011
00001100000011000000110000001100
00001101001011010000110100101101
00001110001111100000111000111110
00001111001111110000111100111111
00010000000100000001000000010000
00010001000100010001000100010001
00010010000100100001001000010010
00010011000100110001001100010011
```

Hex File

The Hex file is essentially a text file of Hex characters arranged in a similar row-column arrangement. The number of rows in the file is same as the number of address locations, with each row indicating the content of the memory location.

```
Memory Size 8x16
A001
0B03
1004
CE06
0007
040A
0017
02A4
```

Addressed Hex

Addressed Hex consists of lines of address and data. Each line starts with an address, followed by a colon, and any number of data. The format of memfile is address: data data data data ... where address and data are hexadecimal numbers.

```
-A0 : 03 F3 3E 4F
-B2 : 3B 9F
```

The first line puts 03 at address A0, F3 at address A1, 3E at address A2, and 4F at address A3. The second line puts 3B at address B2 and 9F at address B3.

There is no limitation on the values of address and data. The value range is automatically checked based on the values of `addr_width` and `data_width`. If there is an error in an address or data value, an error message is printed.

Users need not specify data at all address locations. If data is not specified at certain address, the data at that location is initialized to 0. IPexpress makes memory initialization possible both through the synthesis and simulation flows.

FlashBak™ Capability

The LatticeXP2 FPGA family offers FlashBak capability, which is a way to store the data in the EBRs to the Flash memory upon user command. This protects the user’s data from being lost when the system is powered off. The FlashBak module (STFA primitive) has a single-command-two-operation process (see Figure 10-61). When the FlashBak operation is initiated, an erase-UFM-Flash signal is enabled to erase the Flash, followed by the transfer-to-flash operation. Once the transfer is done, the Flash controller sends a transfer-done signal back to the user logic. During the FlashBak operation, the EBRs are not accessible. There is no difference between the regular EBR RAM configuration and the shadow Flash (UFM) EBR RAM configuration in the ispLEVER GUI. The presence of the STFA (FlashBak) primitive in a design determines the EBR RAM configuration. FlashBak cannot be used if the soft-error detect (SED) is operating in an Always mode. Since there is no addressing but just a ‘dump’ of all EBR to Flash, only one STFA module is necessary. Multiple modules are not necessary or allowed.

Figure 10-61. FlashBak Primitive

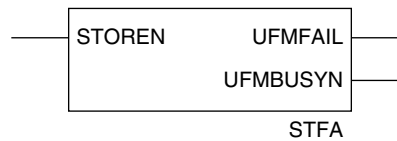


Figure 10-62. FlashBak Waveform

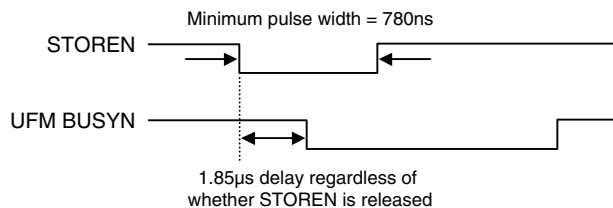


Table 10-22. STFA Port Descriptions

Port Name	Corresponding Hardware Port Name	I/O	Description
STOREN	storecmdn	I	Initiates to store the EBR content to Flash
UFMFAIL	ufm_fail	O	Store to Flash operation failed
UFMBUSYN	fl_busyn	O	Tells the user whether the Flash is in the busy state or not

Technical Support Assistance

Hotline: 1-800-LATTICE (North America)
 +1-503-268-8001 (Outside North America)
 e-mail: techsupport@latticesemi.com
 Internet: www.latticesemi.com

Revision History

Date	Version	Change Summary
February 2007	01.0	Initial release.
July 2007	01.1	Added FlashBak Capability section.
November 2007	01.2	TAG memory added.
January 2008	01.3	Updated Read_Tag Commands Waveform diagram. Changed minimum delay between the 3rd and 24th dummy clock from 3 μ s to 5 μ s.
February 2008	01.4	Updated FIFO_DC without Output Registers (Non-Pipelined) diagram.
March 2008	01.5	Added FlashBAK Waveform diagram.
June 2008	01.6	Removed Read-Before-Write sysMEM EBR mode. Updated "First In First Out (FIFO, FIFO_DC) – EBR Based" section.
June 2008	01.7	Added TAG memory timing waveforms and instructions.
November 2008	01.8	Updated the following waveform figures: Generic Timing Diagram, READ_ID Waveform, WRITE_EN Waveform, WRITE_DIS Waveform, ERASE_TAT Waveform, PROGRAM_TAW Waveform, READ_TAG Waveform, STATUS Waveform. Updated Serial Data Input (SI) text section. Updated Memory Modules text section.
July 2011	01.9	Added the setup and hold requirements for addresses to EBR-based memories.

Appendix A. Attribute Definitions

DATA_WIDTH

Data width is associated with the RAM and FIFO elements. The DATA_WIDTH attribute will define the number of bits in each word. It takes the values as defined in the RAM size tables in each memory module.

REGMODE

REGMODE or the Register mode attribute is used to enable pipelining in the memory. This attribute is associated with the RAM and FIFO elements. The REGMODE attribute takes the NOREG or OUTREG mode parameter that disables and enables the output pipeline registers.

RESETMODE

The RESETMODE attribute allows users to select the mode of reset in the memory. This attribute is associated with the block RAM elements. RESETMODE takes two parameters: SYNC and ASYNC. SYNC means that the memory reset is synchronized with the clock. ASYNC means that the memory reset is asynchronous to clock.

CSDECODE

CSDECODE or the Chip Select Decode attributes are associated to block RAM elements. CS, or Chip Select, is the port available in the EBR primitive that is useful when memory requires multiple EBR blocks cascaded. The CS signal forms the MSB for the address when multiple EBR blocks are cascaded. CS is a 3-bit bus, so it can cascade eight memories easily. CSDECODE takes the following parameters: "000", "001", "010", "011", "100", "101", "110", and "111". CSDECODE values determine the decoding value of CS[2:0]. CSDECODE_W is chip select decode for write and CSDECODE_R is chip select decode for read for Pseudo Dual Port RAM. CSDECODE_A and CSDECODE_B are used for true dual port RAM elements and refer to the A and B ports.

WRITEMODE

The WRITEMODE attribute is associated with the block RAM elements. It takes the NORMAL, WRITETHROUGH, and READBEFOREWRITE mode parameters.

In NORMAL mode, the output data does not change or get updated, during the write operation. This mode is supported for all data widths.

In WRITETHROUGH mode, the output data is updated with the input data during the write cycle. This mode is supported for all data widths.

In READBEFOREWRITE mode, the output data port is updated with the existing data stored in the write address, during a write cycle. This mode is supported for x9, x18 and x36 data widths.

WRITEMODE_A and WRITEMODE_B are used for dual port RAM elements and refer to the A and B ports in case of a True Dual Port RAM.

For all modes (of the True Dual Port module), simultaneous read access from one port and write access from the other port to the same memory address is not recommended. The read data may be unknown in this situation. Also, simultaneous write access to the same address from both ports is not recommended. (When this occurs, the data stored in the address becomes undetermined when one port tries to write a 'H' and the other tries to write a 'L').

It is recommended that the designer implements control logic to identify this situation if it occurs and either:

1. Implement status signals to flag the read data as possibly invalid, or
2. Implement control logic to prevent the simultaneous access from both ports.

GSR

GSR or the Global Set/ Reset attribute is used to enable or disable the global set/reset for RAM element.

Introduction

LatticeXP2™ devices support Double Data Rate (DDR) and Single Data Rate (SDR) interfaces using the logic built into the Programmable I/O (PIO). SDR applications capture data on one edge of a clock while the DDR interfaces capture data on both the rising and falling edges of the clock, thus doubling performance. The LatticeXP2 I/Os also have dedicated circuitry to support DDR and DDR2 SDRAM memory interfaces. This technical note details the use of LatticeXP2 devices to implement both a high-speed generic DDR interface and DDR and DDR2 memory interfaces.

DDR and DDR2 SDRAM Interfaces Overview

A DDR SDRAM interface will transfer data at both the rising and falling edges of the clock. The DDR2 is the second generation of the DDR SDRAM memory.

The DDR and DDR2 SDRAM interfaces rely on the use of a data strobe signal, called DQS, for high-speed operation. The DDR SDRAM interface uses a single-ended DQS strobe signal, whereas the DDR2 interface uses a differential DQS strobe. Figures 11-1 and 11-2 show typical DDR and DDR2 SDRAM interface signals. SDRAM interfaces are typically implemented with eight DQ data bits per DQS. An x16 interface will use two DQS signals and each DQS is associated with eight DQ bits. Both the DQ and DQS are bi-directional ports used to both read and write to the memory.

When reading data from the external memory device, data coming into the device is edge-aligned with respect to the DQS signal. This DQS strobe signal needs to be phase-shifted 90 degrees before FPGA logic can sample the read data. When writing to a DDR/DDR2 SDRAM, the memory controller (FPGA) must shift the DQS by 90 degrees to center-align with the data signals (DQ). A clock signal is also provided to the memory. This clock is provided as a differential clock (CLKP and CLKN) to minimize duty cycle variations. The memory also uses these clock signals to generate the DQS signal during a read via a DLL inside the memory. Figures 11-3 and 11-4 show DQ and DQS timing relationships for read and write cycles. For other detailed timing requirements, please refer to the DDR SDRAM JEDEC specification (JESD79C).

During read, the DQS signal is LOW for some duration after it comes out of tristate. This state is called Preamble. The state when the DQS is LOW before it goes into Tristate is the Postamble state. This is the state after the last valid data transition.

DDR SDRAM also requires a Data Mask (DM) signal to mask data bits during write cycles. Note that the ratio of DQS to data bits is independent of the overall width of the memory. An 8-bit interface will have one strobe signal.

DDR SDRAM interfaces use the SSTL25 Class I/II I/O standards whereas the DDR2 SDRAM interface uses the SSTL18 Class I/II I/O standards. The DDR2 SDRAM interface also supports differential DQS (DQS and DQS#).

Figure 11-1. Typical DDR SDRAM Interface

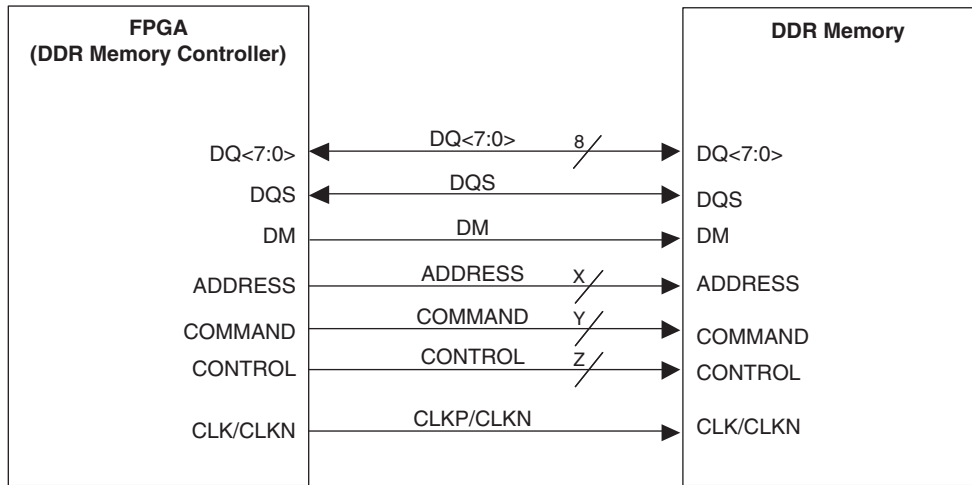
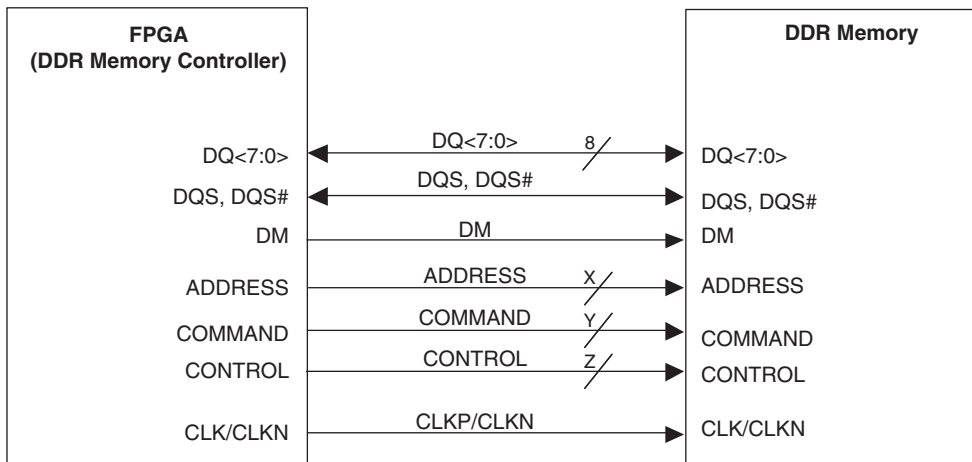


Figure 11-2. Typical DDR2 SDRAM Interface



The following two figures show the DQ and DQS relationship for memory read and write interfaces.

Figure 11-3. DQ-DQS During READ

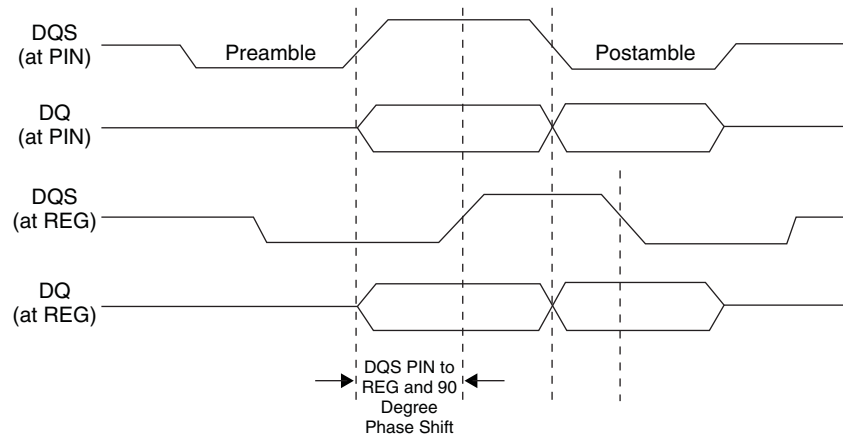
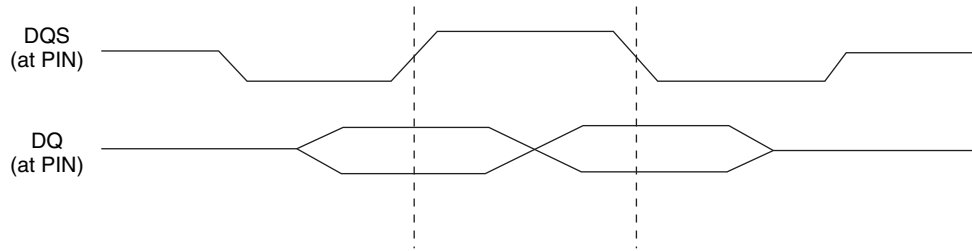


Figure 11-4. DQ-DQS During WRITE



Implementing DDR Memory Interfaces with LatticeXP2 Devices

As described in the DDRSDRAM overview section, the DDR SDRAM interfaces rely primarily on the use of a data strobe signal called DQS for high-speed operation. When reading data from the external memory device, data coming into the LatticeXP2 device is edge-aligned with respect to the DQS signal. Therefore, the LatticeXP2 device needs to shift the DQS (a 90-degree phase shift) before using it to sample the read data. When writing to a DDR SDRAM, the memory controller from the LatticeXP2 device must generate a DQS signal that is center-aligned with the DQ, the data signals. This is accomplished by ensuring the DQS strobe is 90 degrees ahead relative to DQ data.

LatticeXP2 devices have dedicated DQS support circuitry for generating the appropriate phase shifting for DQS. The DQS phase shift circuit uses a frequency reference DLL to generate delay control signals associated with each of the dedicated DQS pins and is designed to compensate for process, voltage and temperature (PVT) variations. The frequency reference is provided through one of the global clock pins.

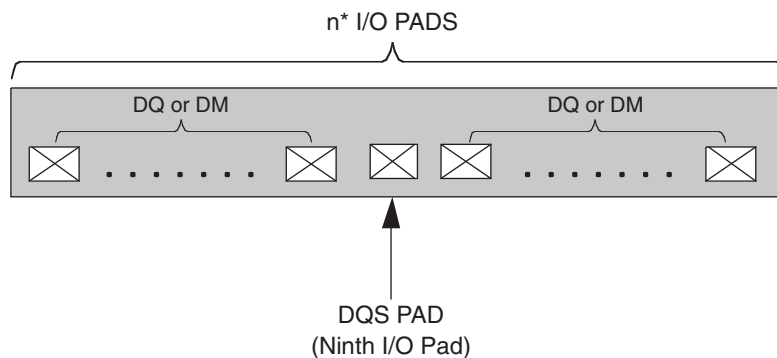
The dedicated DDR support circuit is also designed to provide comfortable and consistent margins for data sampling window.

This section describes how to implement the read and write sections of a DDR memory interface. It also provides details of the DQ and DQS grouping rules associated with the LatticeXP2 devices.

DQS Grouping

Each DQS group generally consists of at least 10 I/Os (one DQS, eight DQ and one DM) to implement a complete 8-bit DDR memory interface. LatticeXP2 devices support DQS signals on all sides of the device. Each DQS signal on the top and bottom halves of the device will span across 18 I/Os and on the left and right sides of the device will span across 16 I/Os. Any 10 of these I/Os spanned by the DQS can be used to implement an 8-bit DDR memory interface. In addition to the DQS grouping, the user must also assign one reference voltage VREF1 for a given I/O bank.

Figure 11-5. DQ-DQS Grouping



*n=18 on bottom banks and n=16 on the left and right side banks.

Figure 11-5 shows a typical DQ-DQS group for LatticeXP2 devices. The ninth I/O of this group of 16 or 18 I/Os is the dedicated DQS pin. The 8 pads before of the DQS and 6/9 (6 for left and right side and 9 for top and bottom side) pads after the DQS are covered by the DQS bus span. Users can assign any eight of these I/O pads to be DQ data pins. Hence, to implement a 32-bit wide memory interface you would need to use four such DQ-DQS groups.

When not interfacing with the memory, the dedicated DQS pin can be used as a general purpose I/O. Each of the dedicated DQS pin is internally connected to the DQS phase shift circuitry. The pinout information contained in the [LatticeXP2 Family Data Sheet](#) shows pin locations for the DQS pads.

DDR Software Primitives

This section describes the software primitives that can be used to implement DDR interfaces. These primitives include:

- **DQSDLL** – The DQS delay calibration DLL
- **DQSBUFC** – The DQS delay function and the clock polarity selection logic
- **IDDRMX1A** – The DDR input and DQS to system clock transfer registers with half clock cycle transfer
- **IDDRMF1A** – The DDR input and DQS to system clock transfer registers with full clock cycle transfer
- **ODDRMXA** – The DDR output registers

HDL usage examples for each of these primitives are listed in Appendices A and B.

DQSDLL

The DQSDLL generates a 90-degree phase shift required for the DQS signal. This primitive implements the on-chip DQSDLL. Only one DQSDLL should be instantiated for all the DDR implementations on one half of the device. The clock input to this DLL should be at the same frequency as the DDR interface. The DLL generates the delay based on this clock frequency and the update control input to this block. The DLL updates the dynamic delay control to the DQS delay block when this update control (UDDCNTL) input is asserted. Figure 11-6 shows the primitive symbol. The active low signal on UDDCNTL updates the DQS phase alignment and should be initiated at the beginning of READ cycles.

Figure 11-6. DQSDLL Symbol

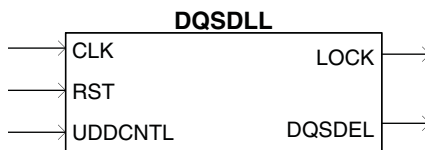


Table 11-1 provides a description of the ports.

Table 11-1. DQSDLL Ports

Port Name	I/O	Description
CLK	I	System CLK should be at the frequency of the DDR interface from the FPGA core.
RST	I	Resets the DQSDLL
UDDCNTL	I	Provides update signal to the DLL that will update the dynamic delay.
LOCK	O	Indicates when the DLL is in phase.
DQSDEL	O	The digital delay generated by the DLL, should be connected to the DQSBUF primitive.

DQSDLL Update Control: The DQS Delay can be updated for PVT variation using the UDDCNTL input. The DQSDEL is updated when the when the UDDCNTL is held LOW. The DQSDEL can be updated when variations are expected. DQSDEL can be updated anytime, except when the memory controller is receiving data from the memory.

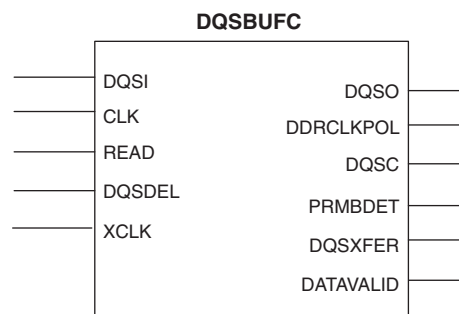
DQSDLL Configuration: By default, this DLL will generate a 90-degree phase shift for the DQS strobe based on the frequency of the input reference clock to the DLL. The user can control the sensitivity to jitter by using the LOCK_SENSITIVITY attribute. This configuration bit can be programmed to be either “HIGH” or “LOW”.

The DLL Lock Detect circuit has two modes of operation controlled by the LOCK_SENSITIVITY bit, which selects more or less sensitivity to jitter. If this DLL is operated at or above 150 MHz, it is recommended that the LOCK_SENSITIVITY bit be programmed “HIGH” (more sensitive). When running at or below 100 MHz, it is recommended that the bit be programmed “LOW” (more tolerant). For 133 MHz, the LOCK_SENSITIVITY bit can go either way.

DQSBUFC

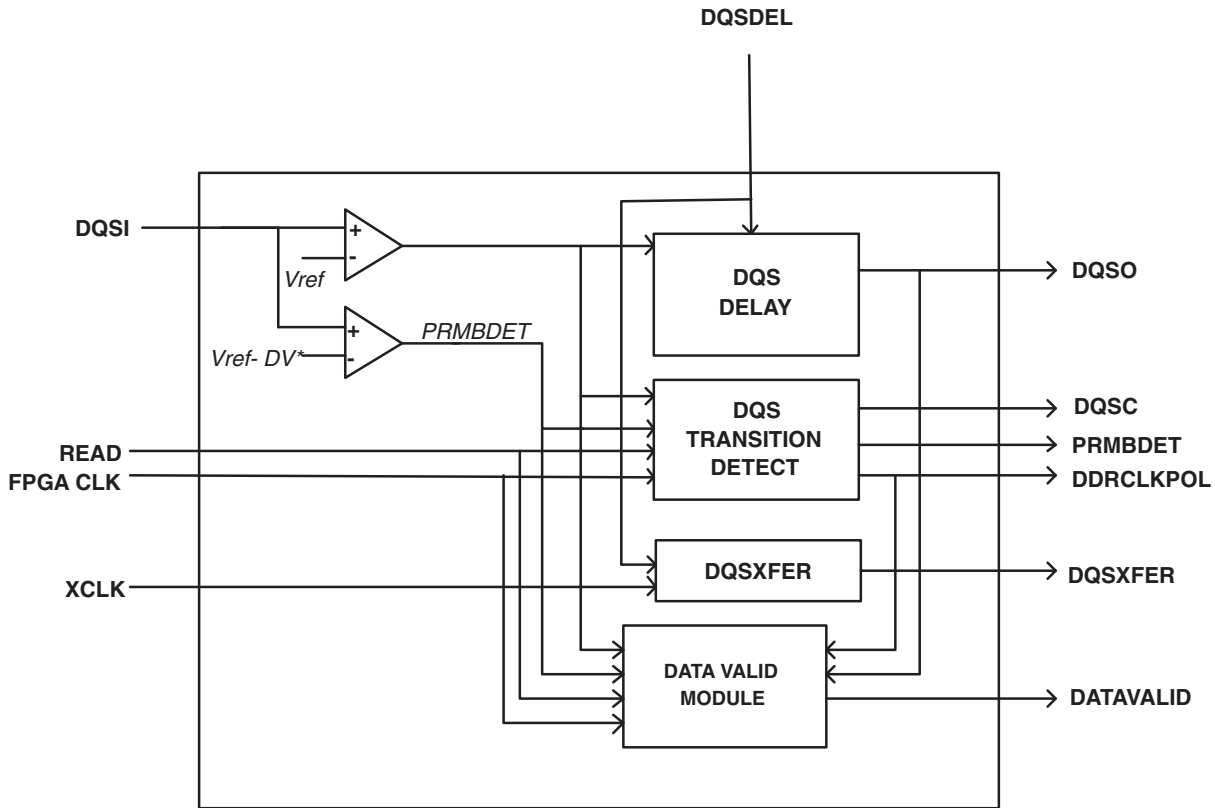
This primitive implements the DQS delay and the DQS transition detector logic. Figure 11-7 shows the primitive symbol.

Figure 11-7. DQSBUFC Symbol



The DQSBUFC is composed of the DQS Delay, the DQS Transition Detect and the DQSXFER block as shown in Figure 11-8. This block inputs the DQS and delays it by 90 degrees. It also generates the DDR Clock Polarity and the DQSXFER signal. The preamble detect (PRMBDET) signal is generated from the DQSI input using a voltage divider circuit.

Figure 11-8. DQSBUFC Function



*DV ~ 170mV for DDR1 (SSTL25 signaling)
 *DV ~ 120mV for DDR2 (SSTL18 signaling)

DQS Delay Block: The DQS Delay block receives the digital control delay line (DQSDDEL) coming from one of the two DQSDLL blocks. These control signals are used to delay the DQSI by 90 degrees. DQSO is the delayed DQS and is connected to the clock input of the first set of DDR registers.

DQS Transition Detect: The DQS Transition Detect block generates the DDR Clock Polarity signal based on the phase of the FPGA clock at the first DQS transition. The DDR READ control signal and FPGA CLK inputs to this coming and should be coming from the FPGA core.

DQSXFER: This block generates the 90-degree phase shifted clock to for the DDR Write interface. The input to this block is the XCLK. The user can choose to connect this either to the edge clock or the FPGA clocks. The DQSXFER is routed using the DQSXFER tree to all the I/Os spanned by that DQS.

Data Valid Module: The data valid module generates a DATAVALID signal. This signal indicates to the FPGA that valid data is transmitted out of the input DDR registers to the FPGA core.

Table 11-2 provides a description of the I/O ports associated with the DQSBUFC primitive.

Table 11-2. DQSBUFC Ports

Port Name	I/O	Description
DQSI	I	DQS Strobe signal from memory
CLK	I	System CLK
READ	I	Read generated from the FPGA core
DQSDEL	I	DQS Delay from the DQSDLL primitive
XCLK	I	Edge Clock or System CLK
DQSO	O	Delayed DQS Strobe signal, to the input capture register block
DQSC	O	DQS Strobe signal before delay, going to the FPGA core logic
DDRCLKPOL	O	DDR Clock Polarity signal
PRMBDET	O	Preamble detect signal, going to the FPGA core logic
DQSXFER	O	90 degree shifted clock going to the Output DDR register Block
DATAVALID	O	Signal indicating transmission of Valid data to the FPGA core

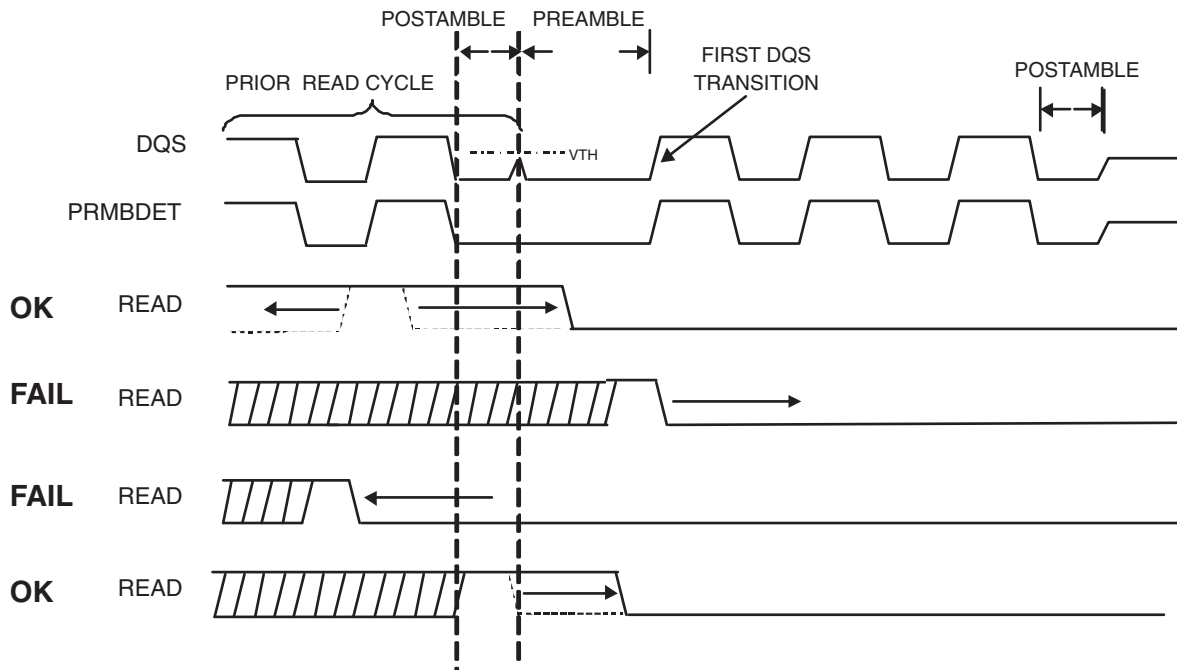
READ Pulse Generation

The READ signal to the DQSBUFC block is internally generated in the FPGA core. The READ signal goes high when the READ command to control the DDR-SDRAM is initially asserted. This precedes the DQS preamble by one cycle, yet may overlap the trailing bits of a prior read cycle. The DQS Detect circuitry of the LatticeXP2 device requires the falling edge of the READ signal to be placed within the preamble stage.

The preamble state of the DQS can be detected using the CAS latency and the round trip delay for the signals between the FPGA and the memory device. Note that the internal FPGA core generates the READ pulse. The rise of the READ pulse should coincide with the initial READ command of the Read Burst and need to go low before the Preamble goes high.

Figure 11-9 shows a READ Pulse timing example with respect to the PRMBDET signal.

Figure 11-9. READ Pulse Generation



IDDRMX1A

This primitive will implement the input register block in memory mode. The DDR registers are designed to use edge clock routing on the I/O side and the primary clock on the FPGA side. The ECLK input is used to connect to the DQS strobe coming from the DQS delay block (DQSBUFC primitive). The SCLK input is connected to the system (FPGA) clock. DDRCLKPOL is an input from the DQS Clock Polarity tree. This signal is generated by the DQS Transition detect circuit in the hardware. The DDRCLKPOL signal is used to choose the polarity of the SCLK to the synchronization registers.

Figure 11-10. IDDRMX1A Symbol

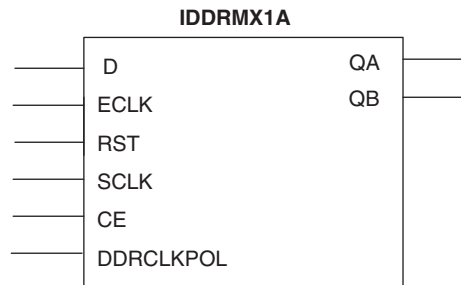


Table 11-3 provides a description of all I/O ports associated with the IDDRMX1A primitive.

Table 11-3. IDDRMX1A Ports

Port Name	I/O	Definition
D	I	DDR Data
ECLK	I	The phase shifted DQS should be connected to this input
RST	I	Reset
SCLK	I	System CLK
CE	I	Clock enable
DDRCLKPOL	I	DDR clock polarity signal
QA	O	Data at Positive edge of the CLK
QB	O	Data at the negative edge of the CLK

Note: The DDRCLKPOL input to IDDRMX1A should be connected to the DDRCLKPOL output of DQSBUFC.

Figure 11-11 shows the Input Register Block configured in the IDDRMX1A mode.

Figure 11-11. Input Register Block in IDDRMX1A Mode

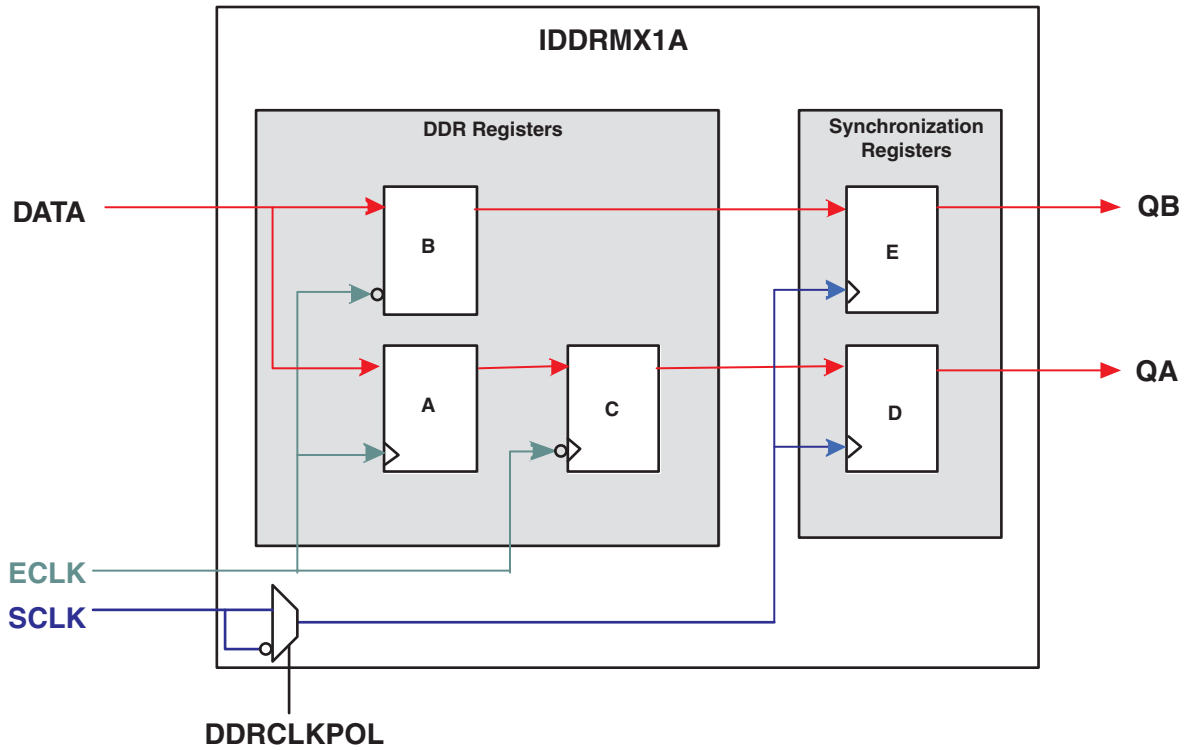
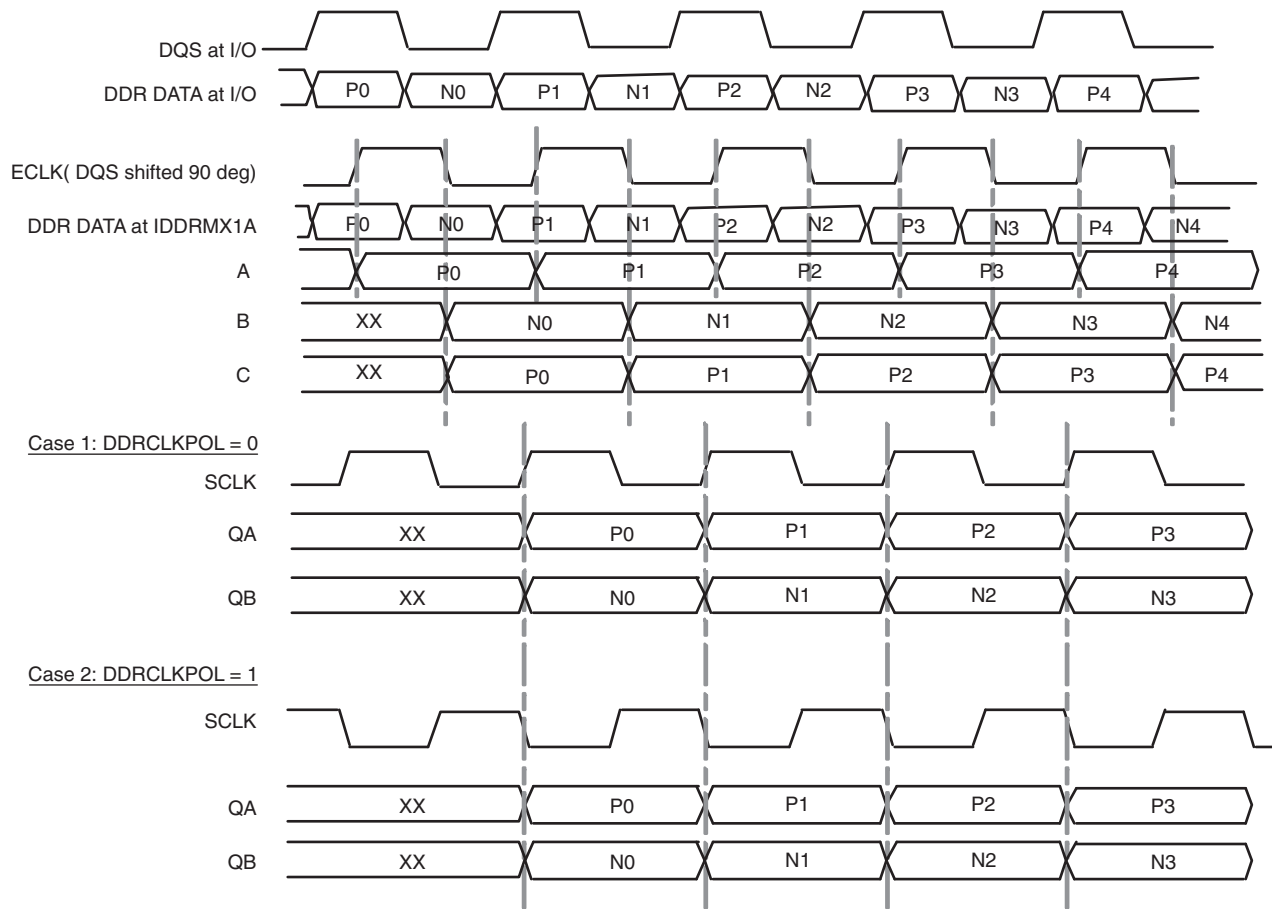


Figure 11-12 shows the IDDRMX1A timing waveform.

Figure 11-12. IDDRMX1A Waveform



IDDRMX1A

With the IDDRMX1A, the data can enter the FPGA at either the positive or negative edge of the SCLK depending on the state of the DDRCLKPOL signal. The IDDRMX1A module includes an additional clock transfer stage that ensures that the data is transferred at a known edge of the system clock.

Figure 11-13. IDDRMX1A Symbol

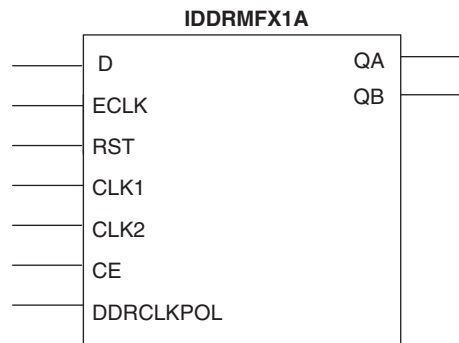


Table 11-4 provides a description of all I/O ports associated with the IDDRMX1A primitive.

Table 11-4. IDDRMF1A Ports

Port Name	I/O	Description
D	I	DDR Data
ECLK	I	The phase shifted DQS should be connected to this input
RST	I	Reset
CLK1	I	Slow FPGA CLK
CLK2	I	Slow FPGA CLK
CE	I	Clock enable
DDRCLKPOL	I	DDR clock polarity signal
QA	O	Data at the positive edge of the CLK
QB	O	Data at the negative edge of the CLK

Note: The DDRCLKPOL input to IDDRMF1A should be connected to the DDRCLKPOL output of DQSBUFC.

Figure 11-14 shows the LatticeXP2 Input Register Block configured to function in the IDDRMF1A mode.

The DDR registers are designed to use Edge clock routing on the I/O side and the primary clock on the FPGA side. The ECLK input is used to connect to the DQS strobe coming from the DQS delay block (DQSBUFC primitive). The CLK1 and CLK2 inputs should be connected to the slow system (FPGA) clock. DDRCLKPOL is an input from the DQS Clock Polarity tree. This signal is generated by the DQS Transition detect circuit in the hardware. The additional clock transfer registers are shared with the output register block.

Figure 11-14. Input Register Block in IDDRMF1A Mode

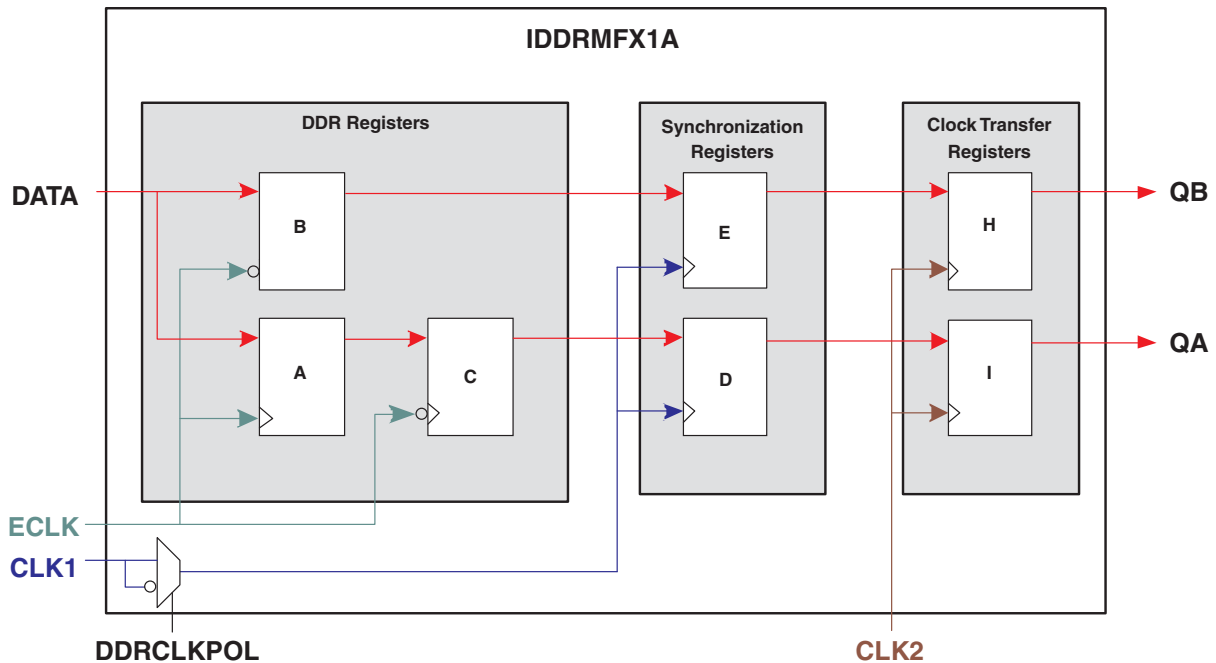


Figure 11-15 shows the IDDRMF1A timing waveform.

Table 11-5. ODDRMXA Ports

Port Name	I/O	Description
CLK	I	System CLK or ECLK
DA	I	Data at the negative edge of the clock
DB	I	Data at the positive edge of the clock
RST	I	Reset
DQSXFER	I	90-degree phase shifted clock coming from the DQSBUFC block
Q	I	DDR data to the memory

Notes:

1. RST should be held low during DDR Write operation.
2. DDR output and tristate registers do not have CE support. RST is available for the tristate DDRX mode (while reading). The LSR will default to set when used in the tristate mode.
3. When asserting reset during DDR writes, it is important to keep in mind that this only resets the flip-flops and not the latches.

Figure 11-17 shows the LatticeXP2 Output Register Block configured in the ODDRMXA mode.

Figure 11-17. Output Register Block in ODDRMXA Mode

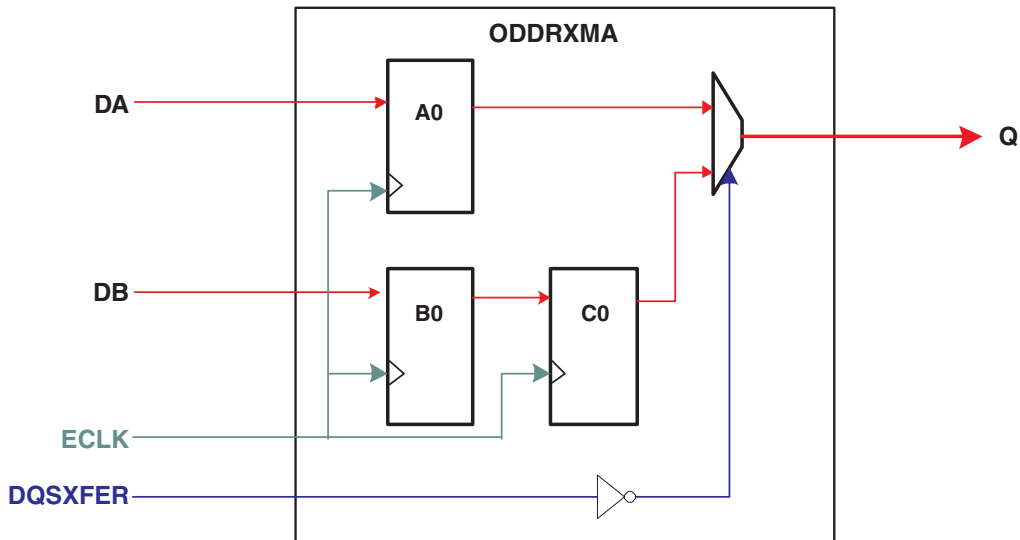
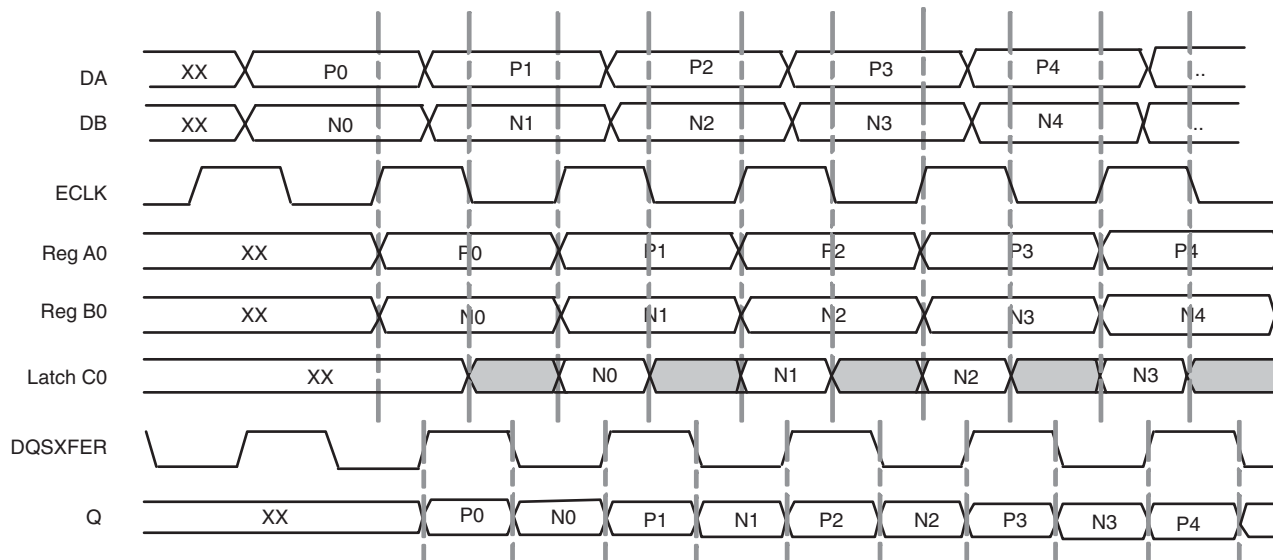


Figure 11-18 shows the ODDRMXA timing waveform.

Figure 11-18. ODDRMXA Waveform



Note that the DQSXFER is inverted inside the ODDRXMA. This will cause the data coming out of the ODDRXMA to be -90° in phase with the output of the ODDRXC module.

Memory Read Implementation

LatticeXP2 devices contain a variety of features to simplify implementation of the read portion of a DDR interface:

- DLL compensated DQS delay elements
- DDR input registers
- Automatic DQS to system clock domain transfer circuitry
- Data Valid Module

DLL Compensated DQS Delay Elements

The DQS from the memory is connected to the DQS Delay element. The DQS Delay block receives a 6-bit delay control from the on-chip DQSDLL. The LatticeXP2 devices support two DQSDLL, one on the left and one on the right side of the device. The DQSDEL generated by the DQSDLL on the left side is routed to all the DQS blocks on the left and bottom/top half of the device. The delay generated by the DQSDLL on the right side is distributed to all the DQS Delay blocks on the right side and the other bottom/top half of the device. These digital delay control signals are used to delay the DQS from the memory by 90 degrees.

The DQS received from the memory is delayed in each of the DQS Delay blocks and this delay DQS is used to clock the first set stage DDR input registers.

DQS Transition Detect or Automatic Clock Polarity Select

In a typical DDR memory interface design, the phase relation between the incoming delayed DQS strobe and the internal system clock (during the READ cycle) is unknown. Prior to the READ operation in DDR memories, DQS is in tristate (pulled by termination). Coming out of tristate, the DDR memory device drives DQS low in the Preamble State. The DQS Transition Detect block detects the first DQS rising edge after the Preamble transition and generates a signal indicating the required polarity for the FPGA system clock (DDRCLKPOL). This signal is used to control the polarity of the clock to the synchronizing registers.

Data Valid Module

The data valid module generates a DATAVALID signal. This signal indicates to the FPGA that valid data is transmitted out the input DDR registers to the FPGA core.

DDR I/O Register Implementation

The first set of DDR registers is used to de-mux the DDR data at the positive and negative edge of the phase shifted DQS signal. The register that captures the positive-edge data is followed by a negative-edge triggered register. This register transfers the positive edge data from the first register to the negative edge of DQS so that both the positive and negative portions of the data are now aligned to the negative edge of DQS.

The second stage of registers is clocked by the FPGA clock, the polarity of this clock is selected by the DDR Clock Polarity signal generated by the DQS Transition Detect Block.

The I/O Logic registers can be implemented in two modes:

- Half Clock Transfer Mode
- Full Clock Transfer Mode

In Half Clock Transfer mode the data is transferred to the FPGA core after the second stage of the register. In Full Clock Transfer mode, an additional stage of I/O registers clocked by the FPGA clock is used to transfer the data to the FPGA core.

The [LatticeXP2 Family Data Sheet](#) explains each of these circuit elements in more detail.

Memory Read Implementation in Software

Three primitives in the ispLEVER® design tools represent the capability of these three elements. The DQSDLL represents the DLL used for calibration. The IDDRMX1A/IDDRMFX1A primitive represents the DDR input registers and clock domain transfer registers with or without full clock transfer. Finally, the DQSBUFC represents the DQS delay block, the clock polarity control logic and the Data Valid module. Figures 11-19 and 11-20 show the READ interface block generated using the IPexpress™ tool in the ispLEVER software.

Figure 11-19. Software Primitive Implementation for Memory READ (Half Clock Transfer)

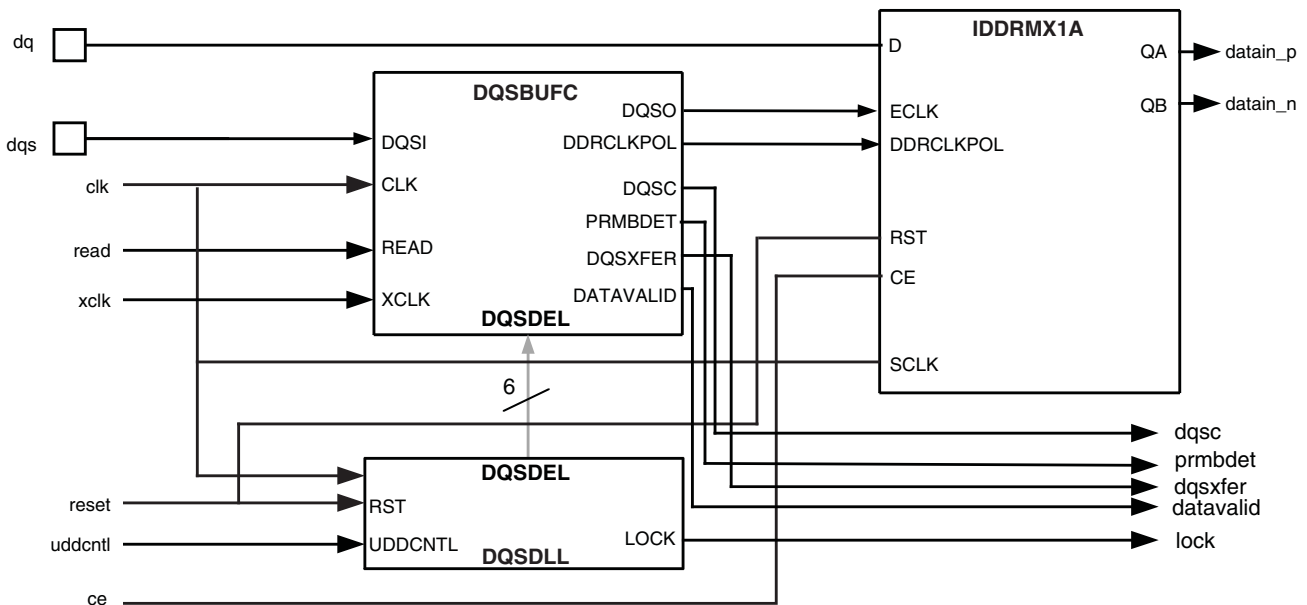
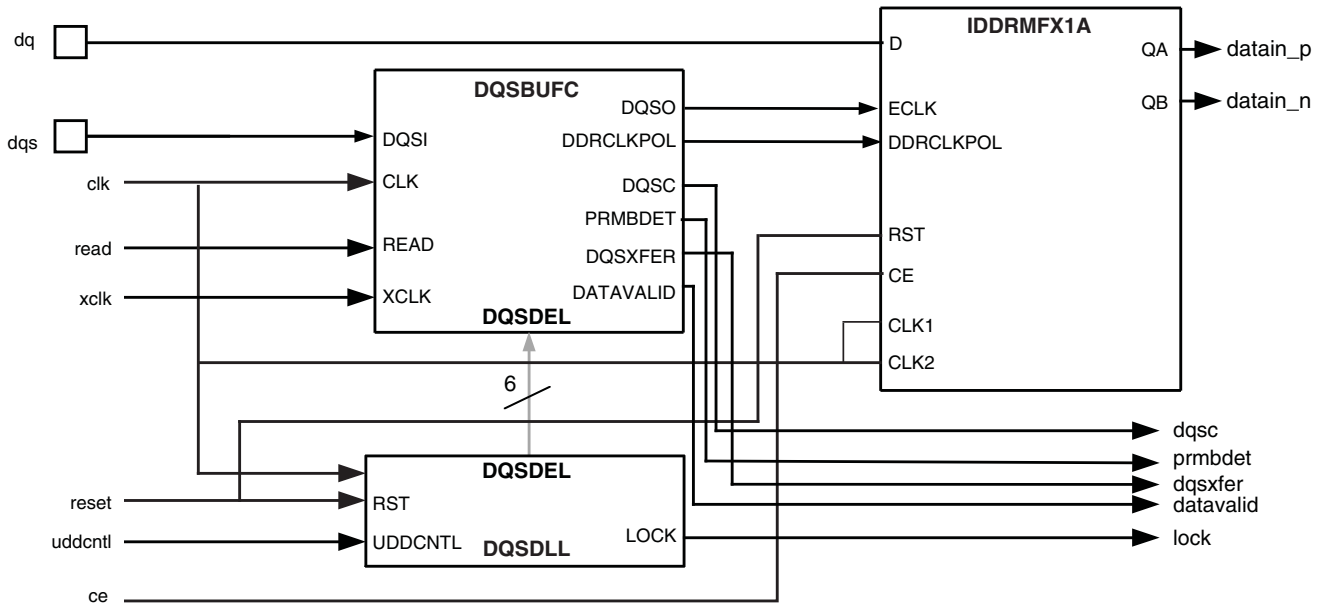


Figure 11-20. Software Primitive Implementation for Memory READ (Full Clock Transfer)



Read Timing Waveforms

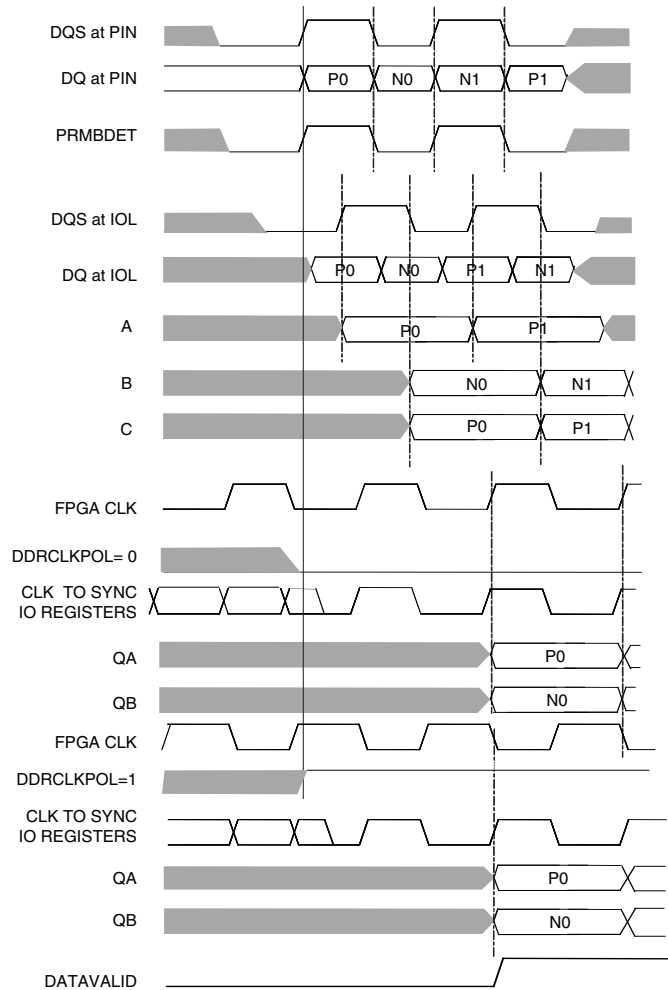
Figures 11-21 and 11-22 show READ data transfer for half and full clock cycle data transfer based on the results of the DQS Transition detector logic. This circuitry decides whether or not to invert the phase of FPGA system CLK to the synchronization registers based on the relative phases of PRMBDET and CLK.

- **Case 1:** If the FPGA clock is low on the first PRMBDET transition, then DDRCLKPOL is low and no inversion is required.
- **Case 2:** If the FPGA clock is high on the first PRMBDET, then DDRCLKPOL is high and the FPGA clock (CLK) needs to be inverted before it is used for synchronization.

Figure 11-21 illustrates the DDR data timing using half clock transfer mode at different stages of the IDDRMX1A registers. The first stage of the register captures data on the positive edge as shown by signal A and the negative edge as shown by signal B. Data stream A goes through an additional half clock cycle transfer shown by signal C. Phase-aligned data streams B and C are presented to the next stage registers clocked by the FPGA clock.

Figure 11-22 illustrates the DDR data timing using full clock transfer mode at different stages of IDDRMX1A registers. In addition to the first two register stages in the half clock mode, the full clock transfer mode has an additional stage register clocked by the FPGA clock. In this case, D and E are the data streams after the second register stage presented to the final stage of registers clocked by the FPGA clock.

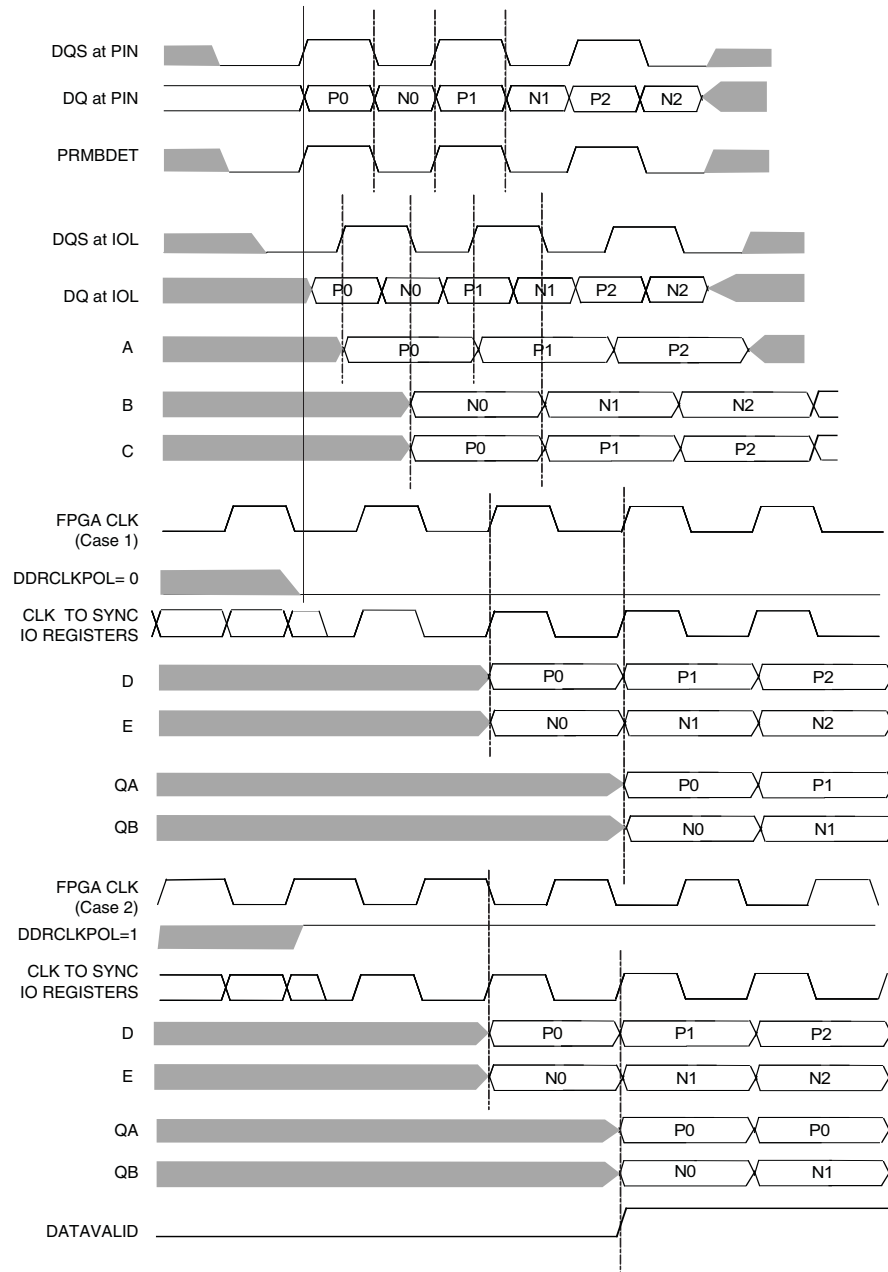
Figure 11-21. READ Data Transfer When Using IDDRMX1A



Notes:

1. DDR memory sends DQ aligned to DQS Strobe.
2. The DQS Strobe is delayed by 90 degrees using the dedicated DQS logic.
3. DQ is now center aligned to DQS Strobe.
4. PRMBDET is the Preamble detect signal generated using the DQSBUFB primitive. This is used to generate the DDRCLKPOL signal.
5. The first set of I/O registers, A and B, capture data on the positive and negative edges of DQS.
6. I/O Register C transfers data so that both data are now aligned to negative edge of DQS.
7. DDCLKPOL signal generated will determine if the FPGA CLK going into the synchronization registers need to be inverted. The DDRCLKPOL=0 when the FPGA CLK is LOW at the first rising edge of PRMBDET. The clock to the synchronization registers is not inverted. The DDRCLKPOL=1 when the FPGA CLK is HIGH at the first rising edge of PRMBDET. In this case the clock to the synchronization register is inverted.
8. The I/O synchronization registers capture data on either the rising or falling edge of the FPGA clock.
9. The DATAVALID signal goes HIGH when valid data enters the FPGA core. Once DATA VALID is asserted, it stays high until the next READ pulse.

Figure 11-22. Read Data Transfer When Using IDDRMF1A



Notes:

1. DDR memory sends DQ aligned to DQS Strobe.
2. The DQS Strobe is delayed by 90 degrees using the dedicated DQS logic.
3. DQ is now center-aligned to DQS Strobe.
4. PRMBDET is the Preamble detect signal generated using the DQSBUFB primitive. This is used to generate the DDRCLKPOL signal.
5. The first set of I/O registers, A and B, capture data on the positive and negative edges of DQS.
6. I/O register C transfers data so that both data are now aligned to the negative edge of DQS.
7. DDCLKPOL signal generated will determine if the FPGA clock going into the synchronization registers need to be inverted. The DDRCLKPOL=0 when the FPGA CLK is LOW at the first rising edge of PRMBDET. So the clock to the synchronization registers is not inverted. The DDRCLKPOL=1 when the FPGA CLK is HIGH at the first rising edge of PRMBDET. In this case the clock to the synchronization register is inverted.
8. Registers D and E capture data at the FPGA clock.
9. The data is then again registers at the FPGA clock to ensure a Full Clock Cycle transfer.
10. DATAVALID signal goes HIGH when valid data enters the FPGA core. Once DATA VALID is asserted, it stays high until the next READ pulse.

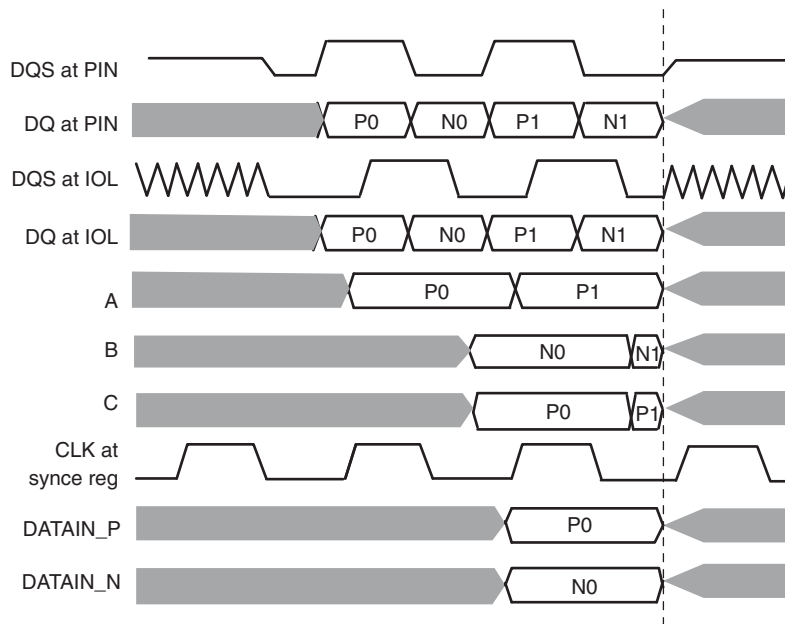
Data Read Critical Path

Data in the second stage DDR registers can be registered either on the positive edge or on the falling edge of FPGA clock depending on the DDRCLKPOL signal. In order to ensure that the data transferred to the FPGA core registers is aligned to the rising edge of the system clock, this path should be constrained with a half clock transfer. This half clock transfer can be forced in the software by assigning a multi-cycle constraint (multi-cycle of 0.5 X) on all the data paths to first PFU register.

DQS Postamble

At the end of a READ cycle, the DDR SDRAM device executes the READ cycle postamble and then immediately tristates both the DQ and DQS output drivers. Since neither the memory controller (FPGA) nor the DDR SDRAM device are driving DQ or DQS at that time, these signals float to a level determined by the off-chip termination resistors. While these signals are floating, noise on the DQS strobe may be interpreted as a valid strobe signal by the FPGA input buffer. This can cause the last READ data captured in the IOL input DDR registers to be overwritten before the data has been transferred to the free running resynchronization registers inside the FPGA.

Figure 11-23. Postamble Effect on READ



LatticeXP2 devices have extra dedicated logic in the in the DQS Delay Block that prevents this postamble problem. The DQS postamble logic is automatically implemented when the user instantiates the DQS Delay logic (DQS-BUFC software primitive) in the design.

Memory Write Implementation

To implement the write portion of a DDR memory interface, two streams of single data rate data must be multiplexed together with data transitioning on both edges of the clock. In addition, during a write cycle, DQS must arrive at the memory pins center-aligned with the data, DQ. Along with the DQS strobe and data this portion of the interface must also provide the CLKP, CLKN Address/Command and Data Mask (DM) signals to the memory.

It is the responsibility of the FPGA output control to edge-align the DDR output signals (ADDR,CMD, DQS, but not DQ, DM) to the rising edge of the outgoing differential clock (CLKP/CLKN).

Challenges encountered by the during Memory WRITE:

1. DQS needs to be center-aligned with the outgoing DDR Data, DQ.
2. Differential CLK signals (CLKP and CLKN) need to be generated.

3. The controller must meet the DDR interface specification for t_{DSS} and t_{DSH} parameters, defined as DQS falling to CLKP rising setup and hold times.
4. The DDR output data must be muxed from two SDR streams into a single outgoing DDR data stream.

All DDR output signals (“ADDR, CMD”, DQS, DQ, DM) are initially aligned to the rising edge of the FPGA clock inside the FPGA core. The relative phase of the signals may be adjusted in the IOL logic before departing the FPGA. These adjustments are shown in Figure 11-24.

LatticeXP2 devices contain DDR output and tri-state registers along with the DQSXFER signal generated by the DQSBUFC that allows easy implementation of the write portion of the DDR memory interfaces. The DDR output registers can be accessed in the design tools via the ODDRMXA and the ODDRXC primitives.

The DQS signal and the DDR clock outputs are generated using the ODDRXC primitive. As shown in the figure, the CLKP and DQS signals are generated so that they are 180 degrees in phase with the clock. This is done by connecting “1” to the DA input and “0” to the DB inputs of the ODDRXC primitive. Refer to the DDR Generic Software Primitive section of this document to see the ODDRXC timing waveforms.

The DDR clock output is then fed into a SSTL differential output buffer to generate CLKP and CLKN differential clocks. Generating the CLKN in this manner prevents any skew between the two signals. When interfacing to DDR1, SDRAM memory CLKP should be connected to the SSTL25D I/O standard. When interfacing to DDR2 memory, it should be connected to the SSTL18D I/O standard.

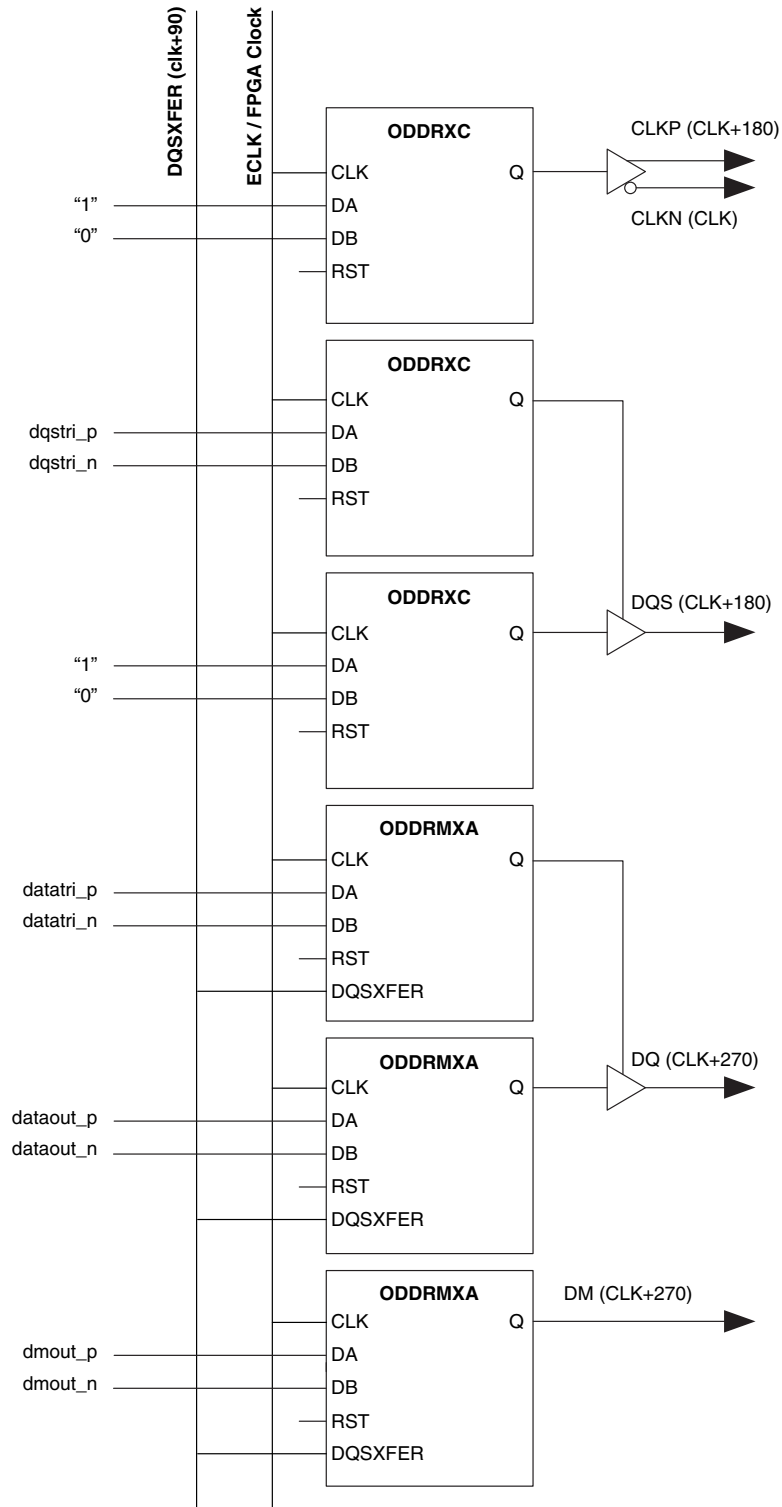
The DQSXFER output from the DQSBUFC block is the 90-degree phase shifted clock. This 90-degree phase shifted clock is used as an input to the ODDRMXA block. The ODDRMXA is used to generate the DQ and DM data outputs going to the memory. In the ODDRMXA module, the data is first registered using the ECLK or FPGA clock input and then shifted out using the DQSXFER signal. To ensure that the data going to the memory is center-aligned to the DQS, the DQSXFER is inverted inside the ODDRMXA primitive. This will generate data that is center-aligned to the DQS. Refer to the Software Primitives section of this document for the ODDRMXA timing waveforms.

The DDR interface specification for t_{DSS} and t_{DSH} parameters defined as DQS falling to CLKP rising setup and hold times must be met. This is accomplished by ensuring that the CLKP and DQS signals are identical in phase.

The tristate control for the DQS and DQ outputs can also be implemented using the ODDRXC primitive.

Figure 11-24 shows the DDR Write implementation using the DDR primitives.

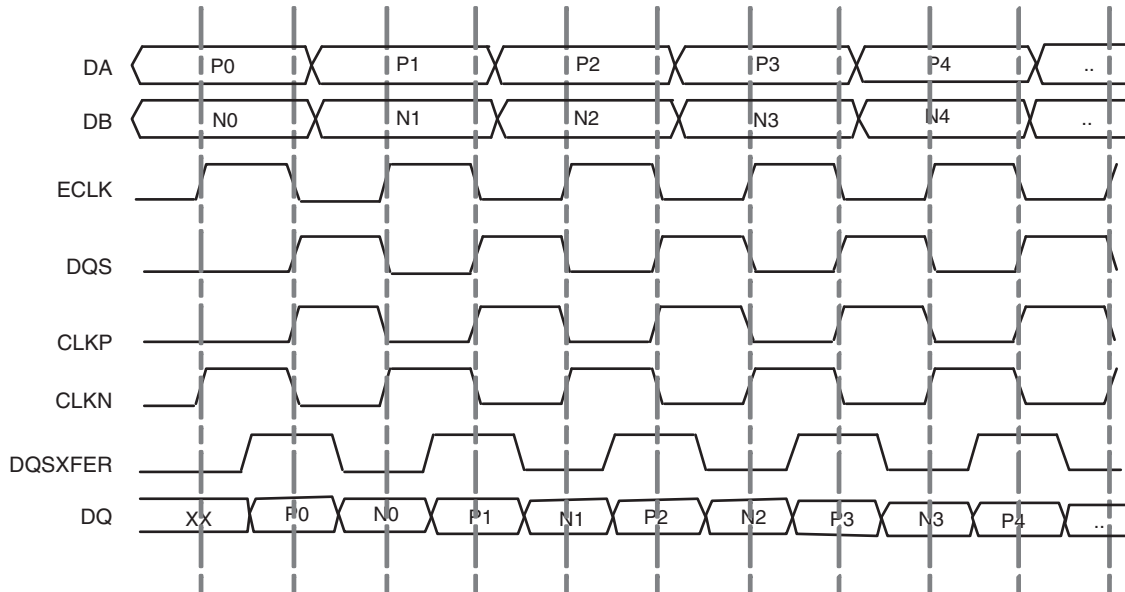
Figure 11-24. Software Implementation for Memory Write



Write Timing Waveforms

Figure 11-25 shows the DDR write side data transfer timing for the DQ Data pad and the DQS Strobe Pad. When writing to the DDR memory device, the DM (Data Mask) and the ADDR/ CMD (Address and Command) signals are also sent to the memory device along with the data and strobe signals.

Figure 11-25. DDR Write Data Transfer for DQ Data



Design Rules/Guidelines

Listed below are some rules and guidelines to keep in mind when implementing DDR memory interfaces in the LatticeXP2 devices.

- The LatticeXP2 devices have dedicated DQ-DQS banks. Please refer to the logical signal connections of the groups in the [LatticeXP2 Family Data Sheet](#) before locking these pins.
- There are two DQSDLL on the device, one for the left half and one for the right half of the device. Therefore, only one DQSDLL primitive should be instantiated for each half of the device. Since there is only one DQSDLL on each half of the device, all the DDR memory interfaces on that half of the device should run at the same frequency. Each of the DQSDLL will generate 90-degree digital delay bits for all the DQS delay blocks on that half of the device based on the reference clock input to the DLL.
- When implementing a DDR SDRAM interface, all interface signals should be connected to the SSTL25 I/O standard. In the case of the DDR2 SDRAM interface, the interface signal should be connected to SSTL18 I/O standard.
- For DDR2, the differential DQS signals need to be connected to SSTL18 the Differential I/O standard.
- When implementing the DDR interface, the VREF1 of the bank is used to provide the reference voltage for the interface pins.

Generic High Speed DDR Implementation

In addition to the DDR memory interface, the I/O logic DDR registers can be used to implement high speed DDR interfaces. The Input DDR registers can operate in full clock transfer and half clock transfer modes. The DDR input and output register also support x1 and x2 gearing ratios. A gearing capability is provided to Mux/DeMux the I/O data rate (ECLK) to the FPGA clock rate (SCLK). For DDR interfaces, this ratio is slightly different than the SDR ratio. A basic 2x DDR element provides four FPGA side bits for two I/O side bits at half the clock rate on the FPGA side.

The data going to the DDR registers can be optionally delayed before going to the DDR register block.

Generic DDR Software Primitives

The IPexpress tool in the ispLEVER software can be used to generate the DDR modules. The various DDR modes described below can be configured in the IPexpress tool. The various modes are implemented using the following software primitives.

- IDDRXC – DDR Generic Input
- IDDRFXA – DDR Generic Input with full clock transfer (x1 gearbox)
- IDDRX2B – DDR Generic Input with 2x gearing ratio. DDRX2 inputs a double data rate signal as four data streams. Two stages of DDR registers are used to convert serial DDR data at input pad into four SDR data streams entering FPGA core logic.
- ODDRXC – DDR Generic Output
- ODDRX2B – DDR Generic Output with 2x gearing ratio. The DDRX2 inputs four separate data streams and outputs a single data stream to the I/O buffer.
- DELAYB – The DDR input can be optionally delayed before it is input to the DDR registers. The user can choose to implement a fixed delay value or use a dynamic delay.

IDDRXC

This primitive inputs DDR data at both edges of the CLK and generates two streams of data. The CLK to this module can be connected to either the edge clock or the primary FPGA clock.

Figure 11-26 shows the primitive symbol for IDDRXC mode.

Figure 11-26. IDDRXC Symbol

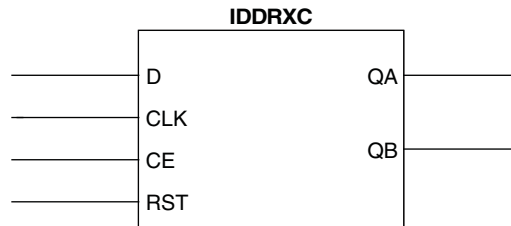


Table 11-6 lists the port names and descriptions for the IDDRXC primitive.

Table 11-6. IDDRXC Port Names

Port Name	I/O	Definition
D	I	DDR data
CLK	I	This clock can be connected to the ECLK or the FPGA clock
CE	I	Clock enable signal
RST	I	Reset to the DDR register
QA	O	Data at the positive edge of the clock
QB	O	Data at the negative edge of the clock

Figure 11-27 shows the LatticeXP2 Input Register Block configured in the IDDRXFC mode.

Figure 11-27. Input Register Block Configured as IDDRXC

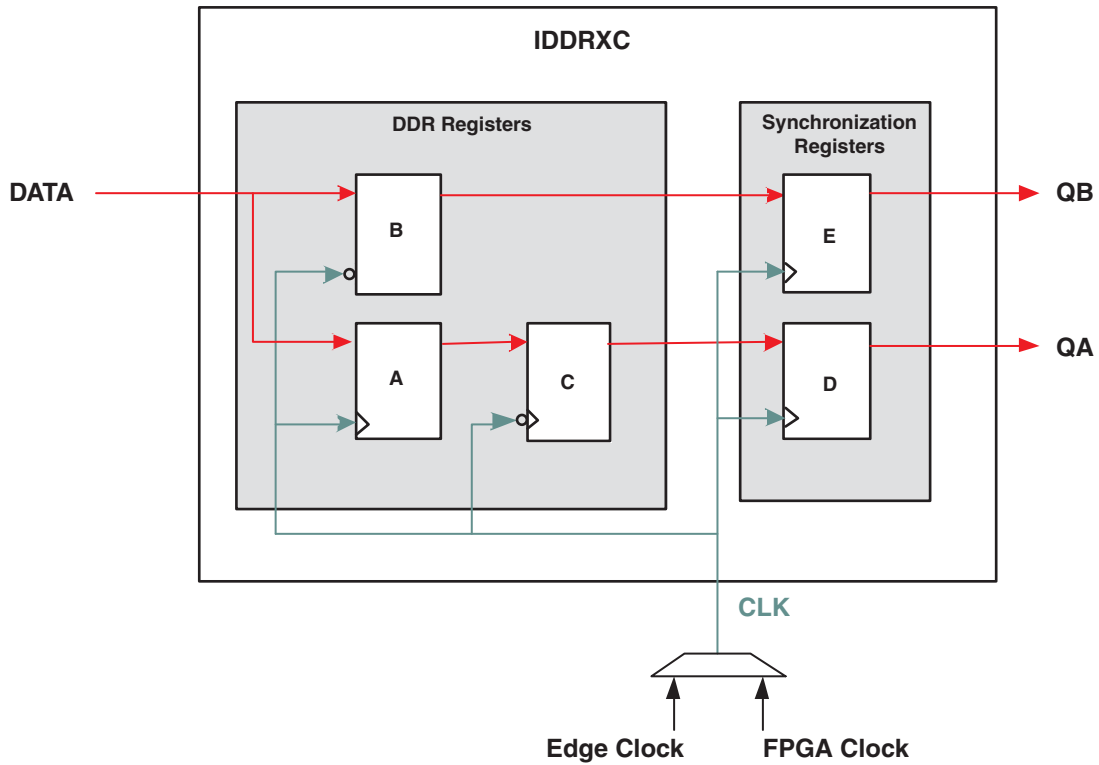
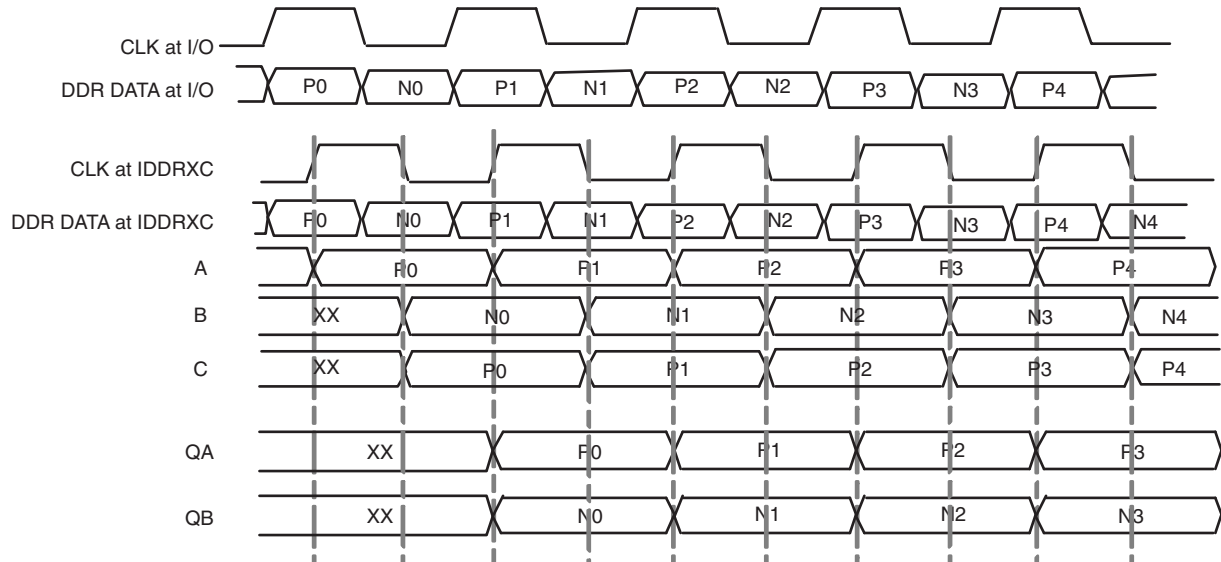


Figure 11-28 shows the timing waveform when using the IDDRXC module.

Figure 11-28. IDDRXC Waveform



IDDRFXA

This primitive inputs DDR data at both edges of clock CLK1 and generates two streams of data aligned to clock CLK2. CLK1 can be connected either to the edge clock or the internal FPGA clock. If the Edge clock input is used for CLK1 then CLK2 should be generated from the same clock going to CLK1.

Figure 11-29. IDDRFXA Symbol

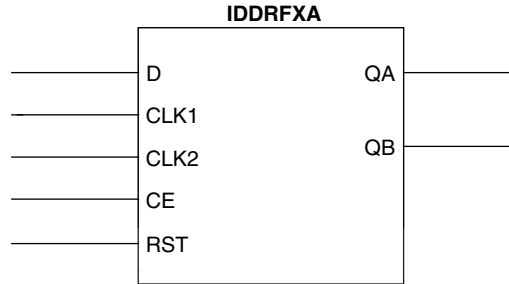


Table 11-7 lists the port names and descriptions for the IDDRFXA primitive.

Table 11-7. IDDRFXA Port Names

Port Name	I/O	Description
D	I	DDR data
CLK1	I	This clock can be connected to the ECLK or the FPGA clock
CLK2	I	This clock should be connected to the FPGA clock
CE	I	Clock Enable signal
RST	I	Reset to the DDR register
QA	O	Data at the positive edge of the clock
QB	O	Data at the negative edge of the clock

Figure 11-31 shows the LatticeXP2 Input Register Block configured in the IDDRFXA mode. CLK1 used to register the DDR registers and the first set of synchronization registers. CLK2 is used by the third stage of registers and should be clocked by the FPGA clock. These clock transfer registers are shared with the output register block.

Figure 11-30. Input Register Block configured as IDDRFXA

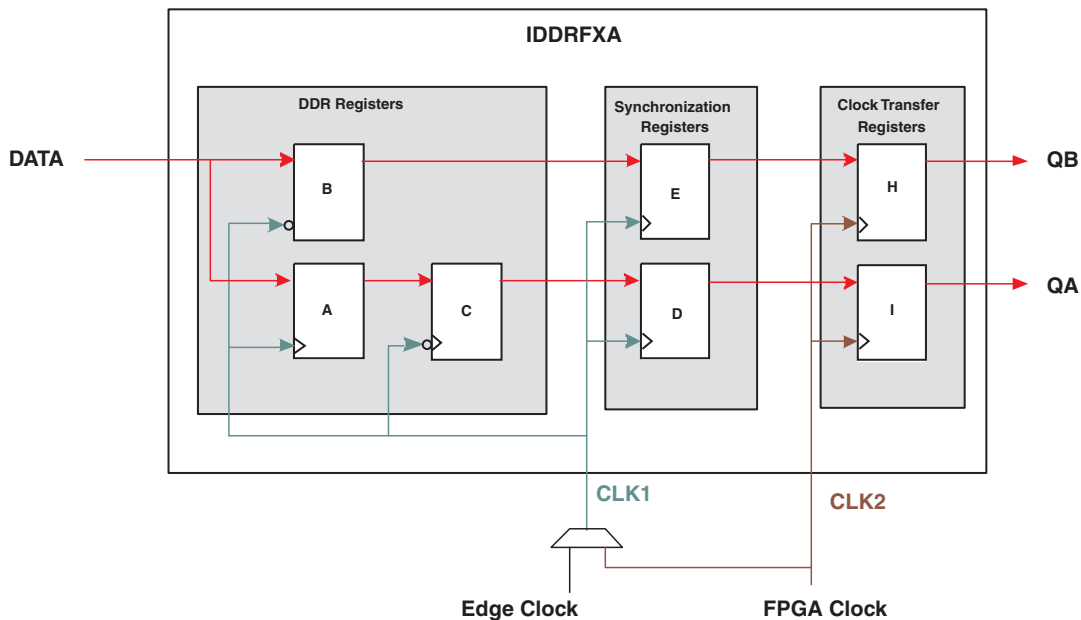
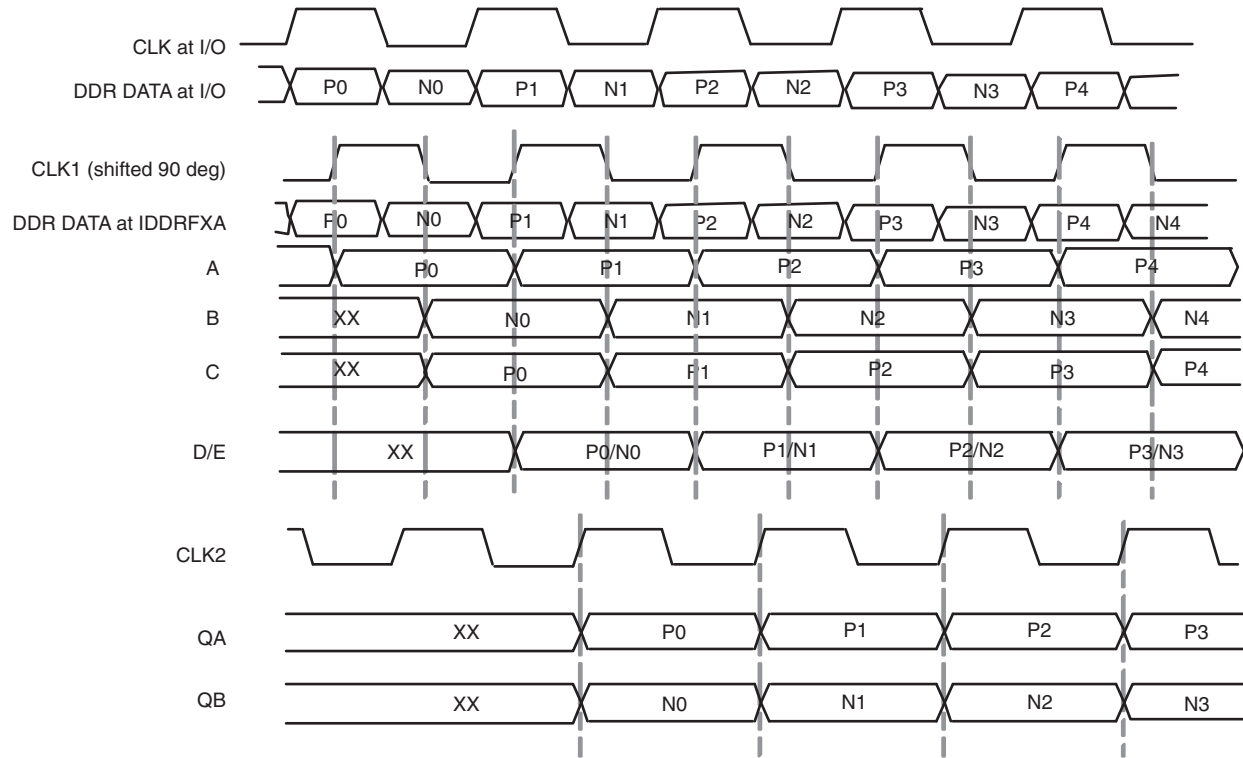


Figure 11-31 shows the timing waveform when using the IDDRFXA module.

Figure 11-31. IDDRFXA Waveform



IDDRX2B

This module is used when a gearing function is required. This primitive inputs the DDR data at both edges of the edge clock and generates four streams of data aligned to SCLK. SCLK is always half the frequency of ECLK. It is recommended that the CLKDIV module or PLL be used to generate the SCLK from the ECLK.

Figure 11-32 shows the primitive symbol for the IDDRX2B mode.

Figure 11-32. IDDRX2B Symbol

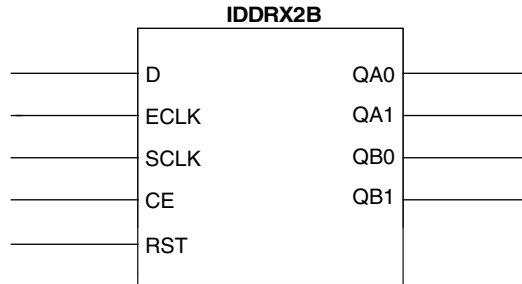


Table 11-8 lists the port names and descriptions for the IDDRX2B primitive.

Table 11-8. IDDRX2B Port Names

Port Name	I/O	Description
D	I	DDR data
ECLK	I	This clock can be connected to the fast edge clock
SCLK	I	This clock should be connected to the FPGA clock
CE	I	Clock enable signal
RST	I	Reset to the DDR register
QA0, QA1	O	Data at the positive edge of the clock
QB0, QB1	O	Data at the negative edge of the clock

Figure 11-33 shows the LatticeXP2 Input Register Block configured in the IDDRX2B mode. The DDR registers and the first set of synchronization registers are clocked by the ECLK input. The SCLK is used to clock the third stage of register. This primitive will output four streams of data. The 2x gearing function is implemented by using the synchronization registers of the complementary PIO. The clock transfer registers are shared with the output register block.

Figure 11-33. Input Register Block Configured as IDDRX2B

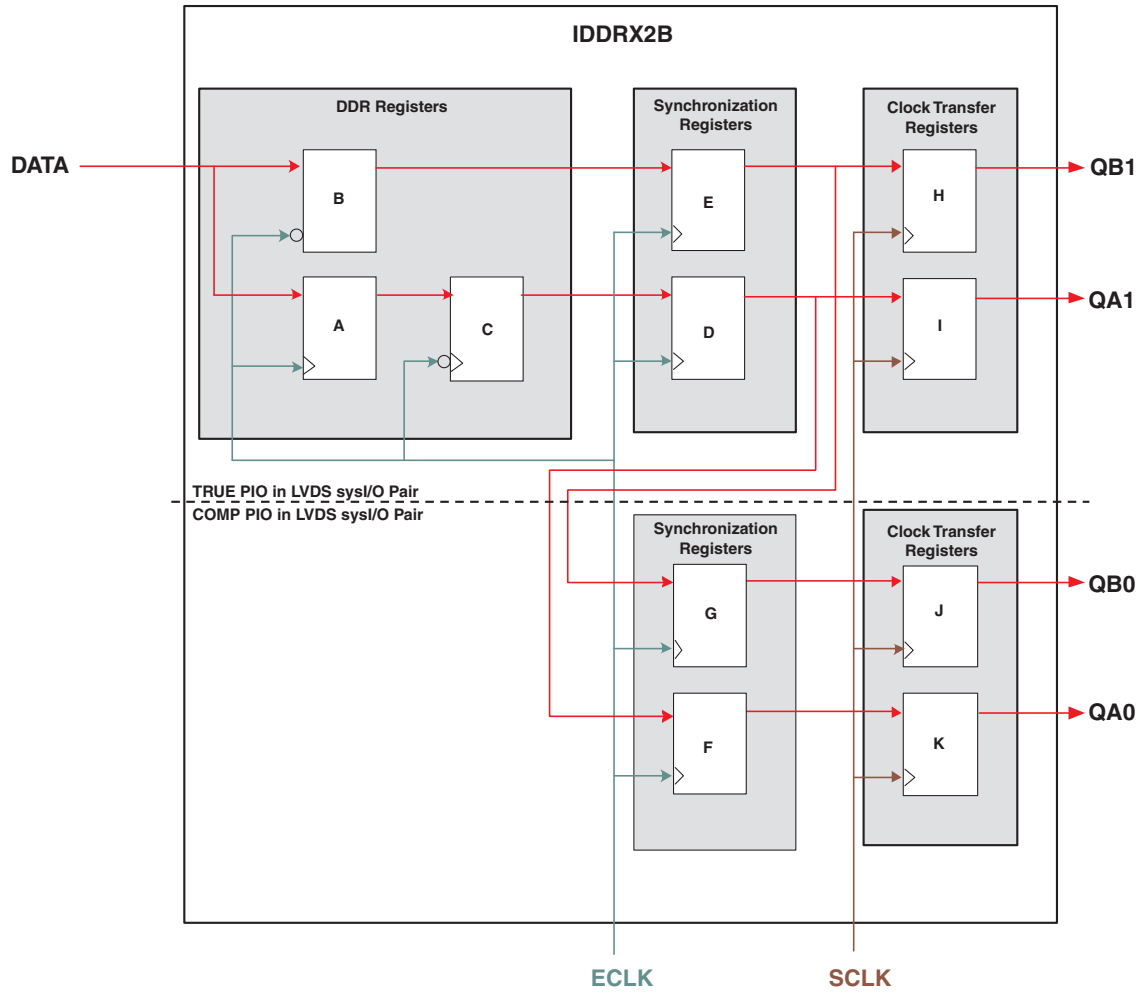
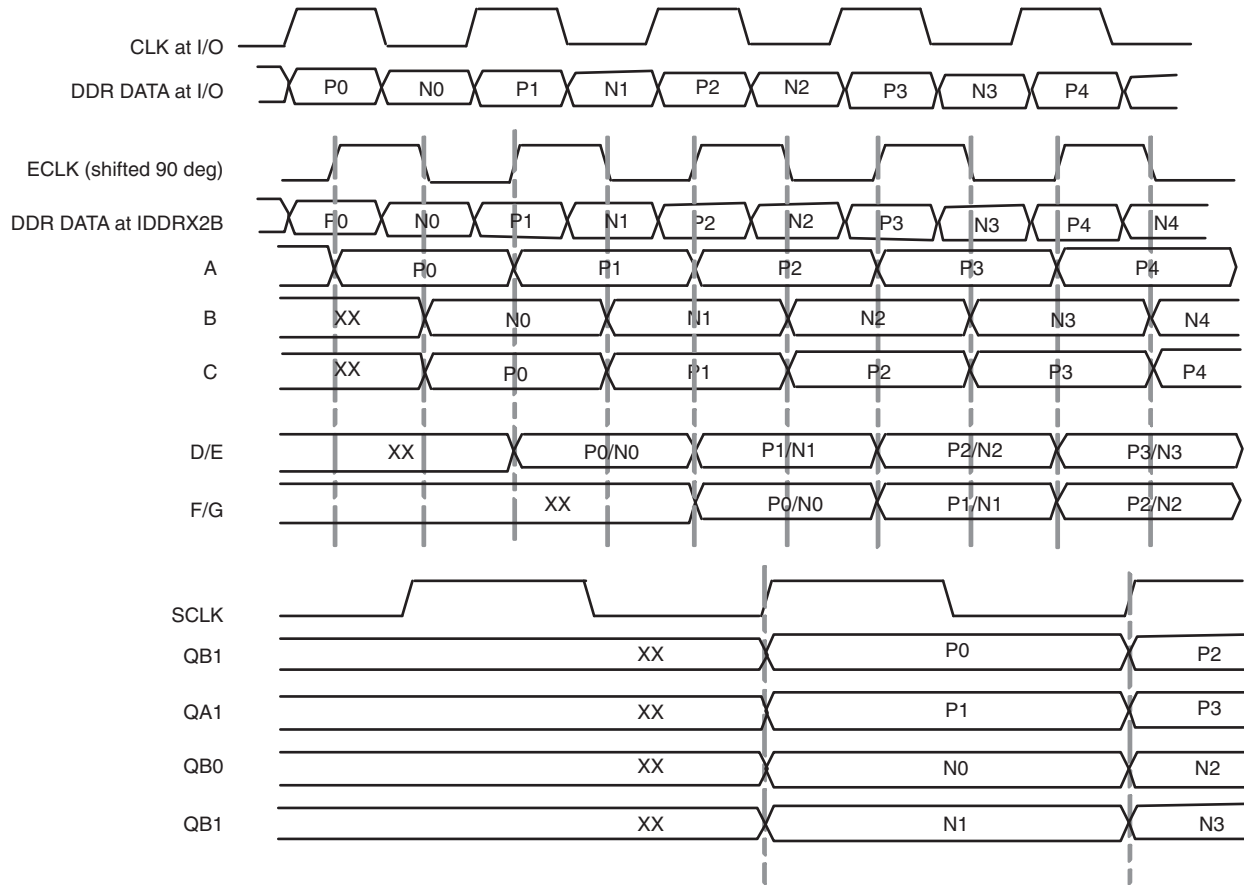


Figure 11-34 shows the timing waveform using the IDDRX2B module.

Figure 11-34. IDDRX2B Waveform



ODDRXC

This is the DDR output module. This primitive will input two data streams and mux them together to generate a single stream of data going to the sysIO™ buffer. The CLK to this module can be connected to the edge clock or to the FPGA clock. This primitive is also used for when DDR function is required for the tristate signal.

Figure 11-35 shows the primitive symbol for the ODDRXC mode.

Figure 11-35. ODDRXC Symbol

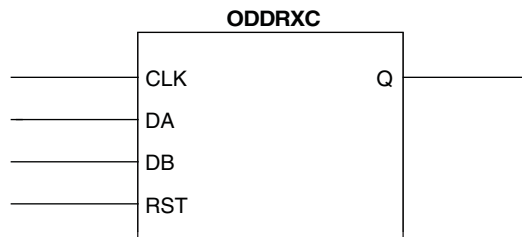


Table 11-9 lists the port names and descriptions for the ODDRXC primitive.

Table 11-9. ODDRXC Port Names

Port Name	I/O	Definition
DA	I	Data at the negative edge of the clock
DB	I	Data at the positive edge of the clock
CLK	I	This clock can be connected to the edge clock or to the FPGA clock
RST	I	Reset signal
Q	O	DDR data output

Figure 11-36 shows the Output Register Block of the LatticeXP2 device configured in ODDRXC mode.

Figure 11-36. Output Register Block in ODDRC Mode

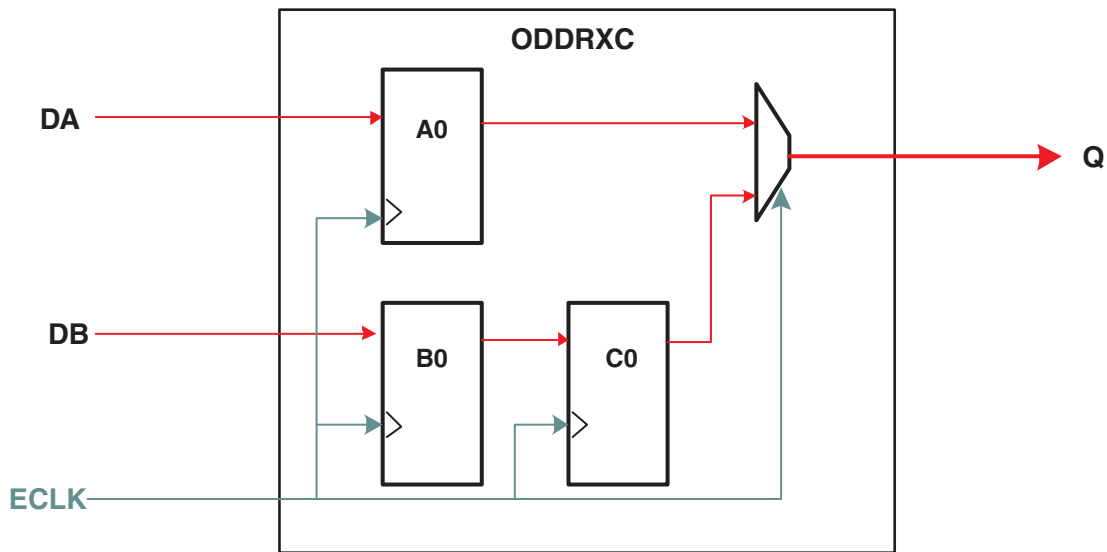
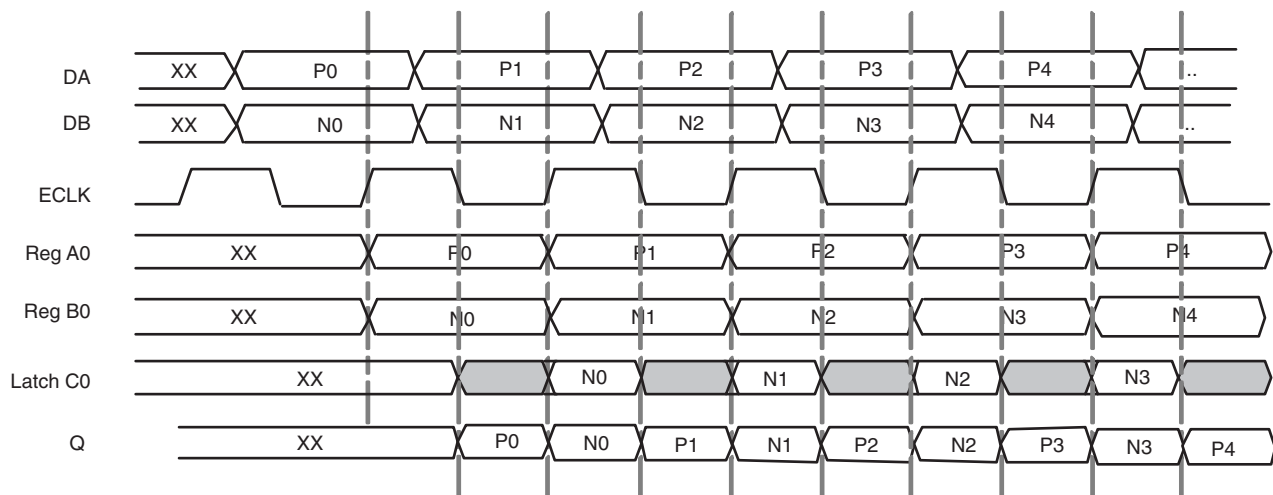


Figure 11-37 shows the timing waveform when using the ODDRXC module.

Figure 11-37. ODDRXC Waveform



ODDRX2B

This DDR output module can be used when a gearbox function is required. This primitive inputs four data streams and muxes them together to generate a single stream of data going to the sysIO buffer.

DDR registers of the complementary PIO are used in this mode. The complementary PIO register can no longer be used to perform the DDR function. There are two clocks going to this primitive. The ECLK is connected to the faster edge clock and the SCLK is connected to the slower FPGA clock. The DDR data output of this primitive is aligned to the faster edge clock.

Figure 11-38 shows the primitive symbol for the ODDRX2B mode.

Figure 11-38. ODDRX2B Symbol

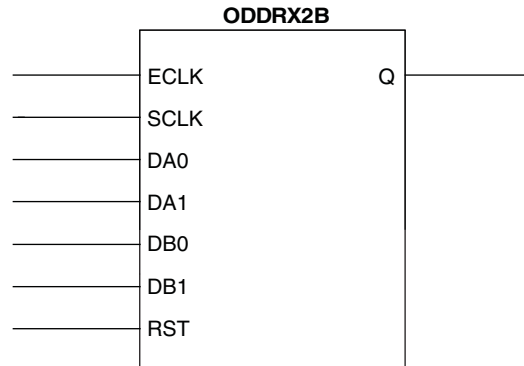


Table 11-10 lists the port names and descriptions for the ODDRX2B primitive.

Table 11-10. ODDRX2B Port Names

Port Name	I/O	Description
DA0, DB0	I	Data at the negative edge of the clock
DA1, DB1	I	Data at the positive edge of the clock
ECLK	I	This clock should be connected to the faster edge clock
SCLK	I	This clock should be connected to the slower FPGA clock
RST	I	Reset signal
Q	O	DDR data output

Figure 11-39 shows the LatticeXP2 Output Register Block in the ODDRX2B mode.

Figure 11-39. Output Register Block Configured in ODDR2B Mode

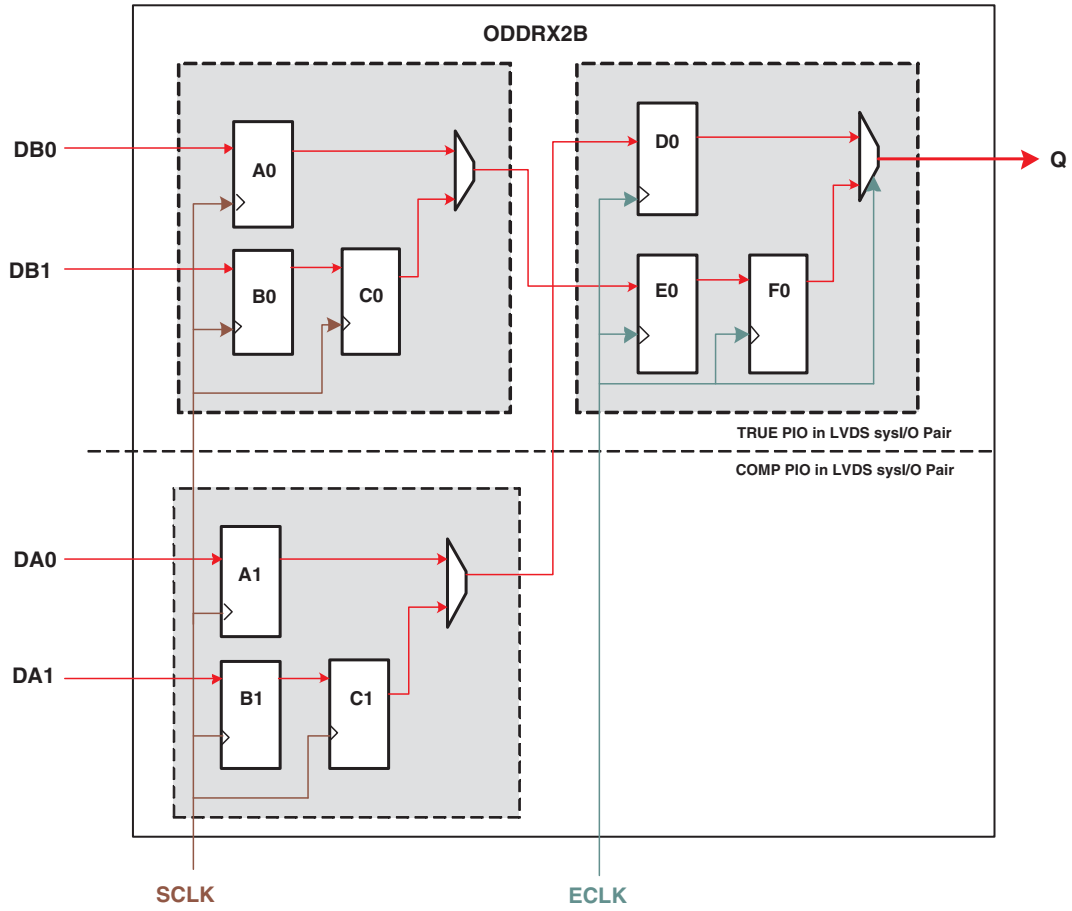
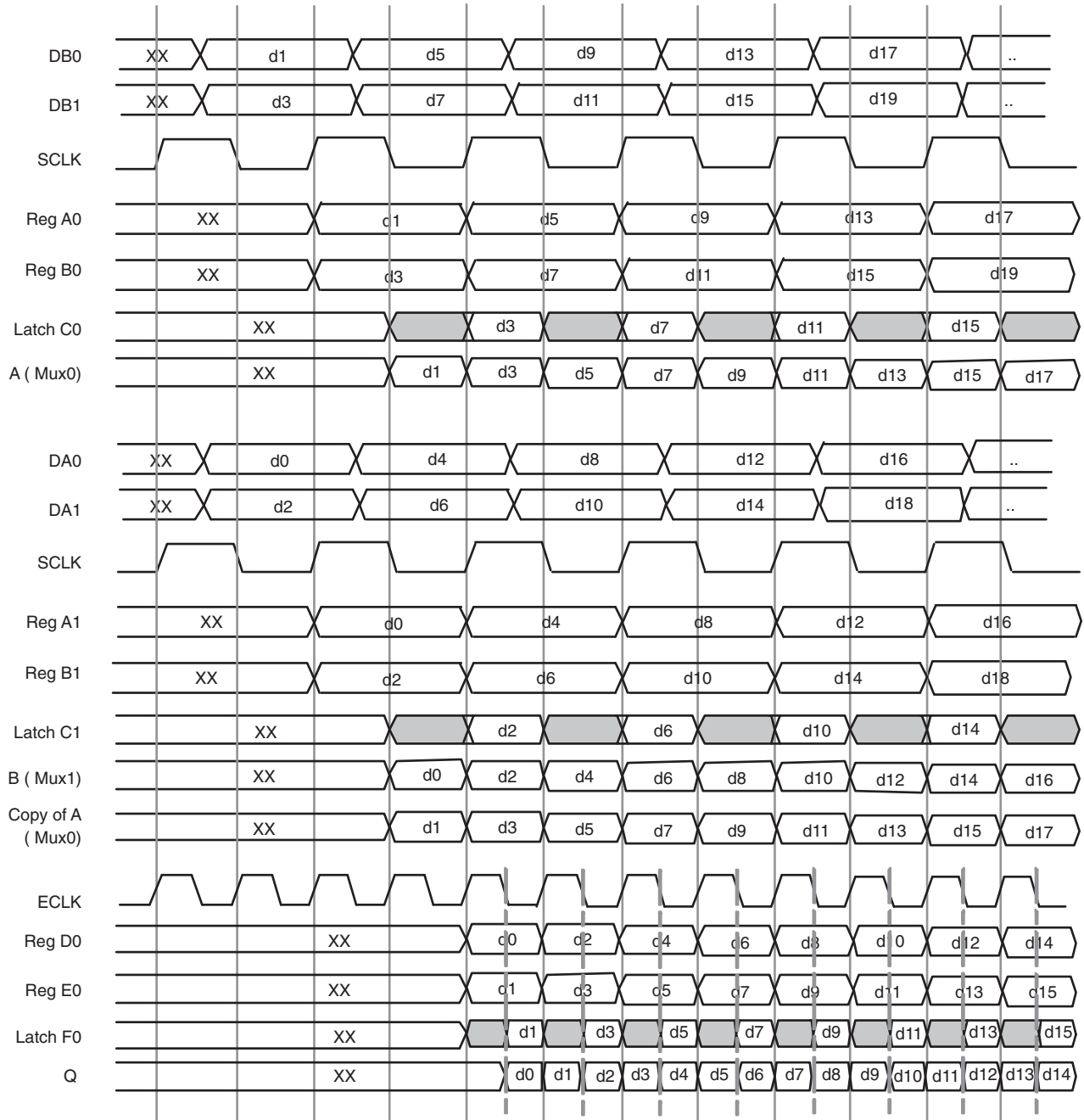


Figure 11-40 shows the timing waveform when using the ODDRXC module.

Figure 11-40. ODDRX2B Waveform



DELAYS

Data going to the DDR registers can be optionally delayed using the Delay block. The Delay block receives 4-bit delay control. The 4-bit delay can be set using fixed multiplier values or it can be controlled by the user. The DELAYB block is available for use with the input DDR registers.

The DELAYB block can be configured when generating the DDR input modules in the IPexpress tool of the software. The delay can be adjusted in 35ps steps. Users can choose from three types of delay values:

1. Dynamic – The delay value is controlled by the user logic using the DEL[3:0] input of the DELAYB block.

2. Fixed – When choosing the fixed value, the user will also need to choose from one of the 16 multiplier values. This will tie the inputs DEL[3:0] of the DELAYB block to a fixed value depending on the multiplier value chosen.
3. FIXED_XGMII – The DEL [3:0] will be configured with the delay value required when implementing a XGMII interface.

Figure 11-41 shows the primitive symbol for the DELAYB mode.

Figure 11-41. DELAYB Symbol

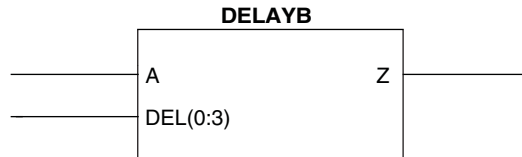


Table 11-11 lists the port names and descriptions for the DELAYB primitive.

Table 11-11. DELAYB Port Names

Port Name	I/O	Definition
A	I	DDR input from the sysIO buffer
DEL (0:3)	I	Delay inputs
Z	O	Delay DDR data

Design Rules/Guidelines

Listed below are some rules and guidelines for implementing generic DDR interfaces in LatticeXP2 devices.

- When implementing a 2x gearing mode, the complement PIO registers are used. This complementary PIO register can no longer be used and should not be connected.

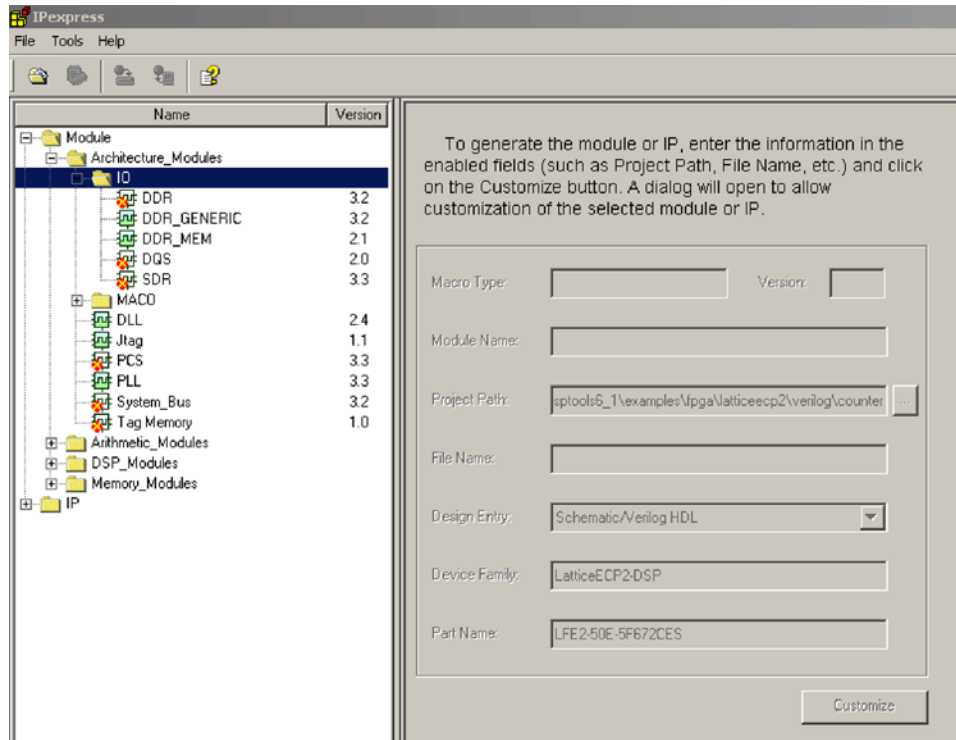
DDR Usage in ispLEVER IPexpress

This section describes how IPexpress is used to generate the DDR modules in ispLEVER. If you are using Lattice Diamond™ design software, refer to Appendix A for information on how DDR modules are generated in Diamond.

IPexpress can be used to configure and generate the DDR Memory Interface and Generic DDR Module. The tool will generate an HDL module that will contain the DDR primitives. This module can be using in the top level design.

Figure 11-42 shows the main window of IPexpress. The DDR_Generic and DDR_MEM options under **Architecture->IO** are used to configure the DDR modules.

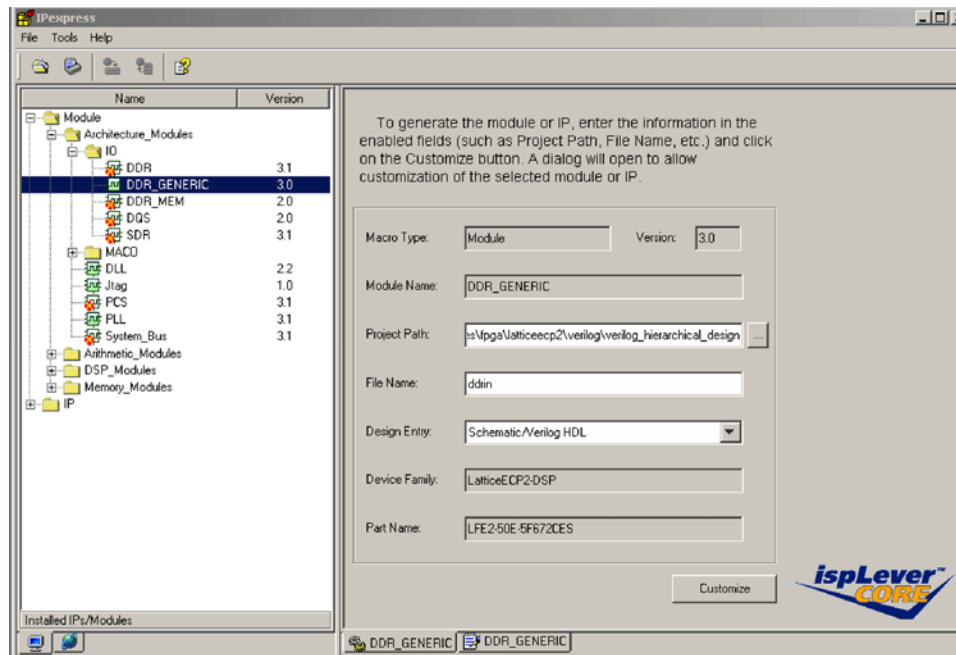
Figure 11-42. IPexpress Main Window



DDR Generic

Figure 11-43 shows the main window when DDR_Generic is selected. The only entry required in this window is the module name. Other entries are set to the project settings. The user may change these entries if desired. After entering the module name, click on **Customize** to open the **Configuration Tab** window as shown in Figure 11-44.

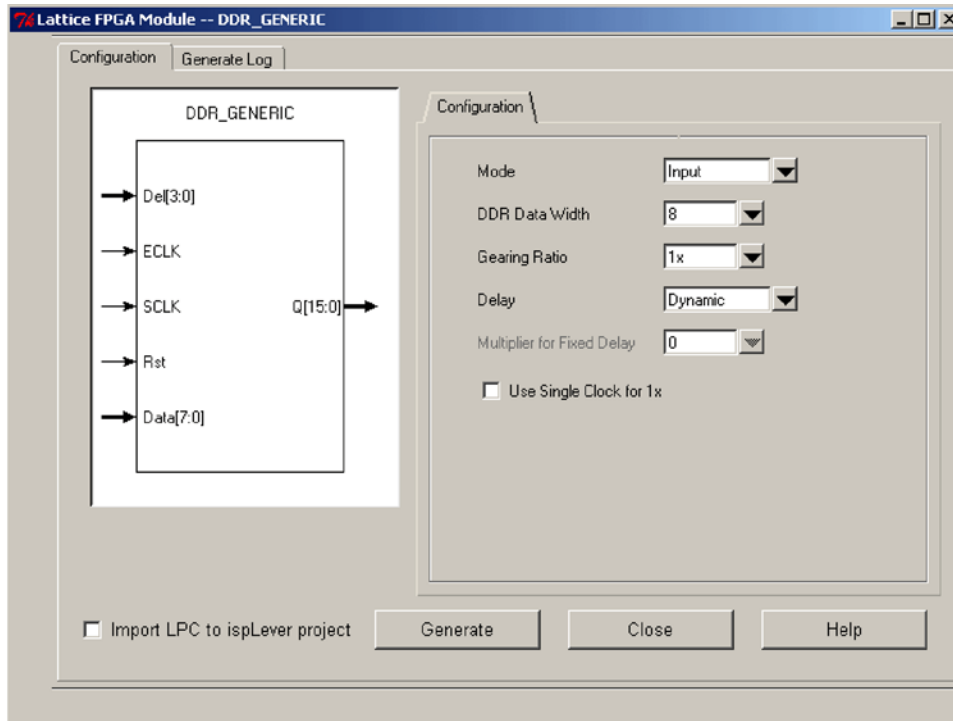
Figure 11-43. IPexpress Main Window for DDR_Generic



Configuration Tab

The Configuration Tab lists all user-accessible attributes with default values set. Upon completion, click **Generate** to generate source and constraint files. The user may choose to use the .lpc file to load parameters.

Figure 11-44. Configuration Tab for DDR_Generic



The user can change the Mode parameter to choose either Input, Output, Bidirection or Tristate DDR module. The other configuration parameters will change according to the mode selected. The Delay parameter is only available for Input and Bidirectional modes. Similarly the Multiplier for Fixed Delay parameter is only available when the Delay parameter is configured to Fixed.

Table 11-12. User Parameters in the IPexpress GUI

User Parameters	Description	Values/Range	Default
Mode	Mode selection for the DDR block.	Input, Output, Bidirectional, Tristate	Input
Data Width	Width of the data bus.	1-64	8
Gearing Ratio	Gearing ratio selection.	1x, 2x ¹	1x
Delay	Input delay configuration	Dynamic, Fixed, Fixed XGMII	Dynamic
Multiplier for Fixed Delay	Fixed delay setting. Available only when delay is configured as fixed.	0-15	0
Use Single Clk for 1x	Allows for the selection of a single clock for the gearing logic.	On/Off	Off

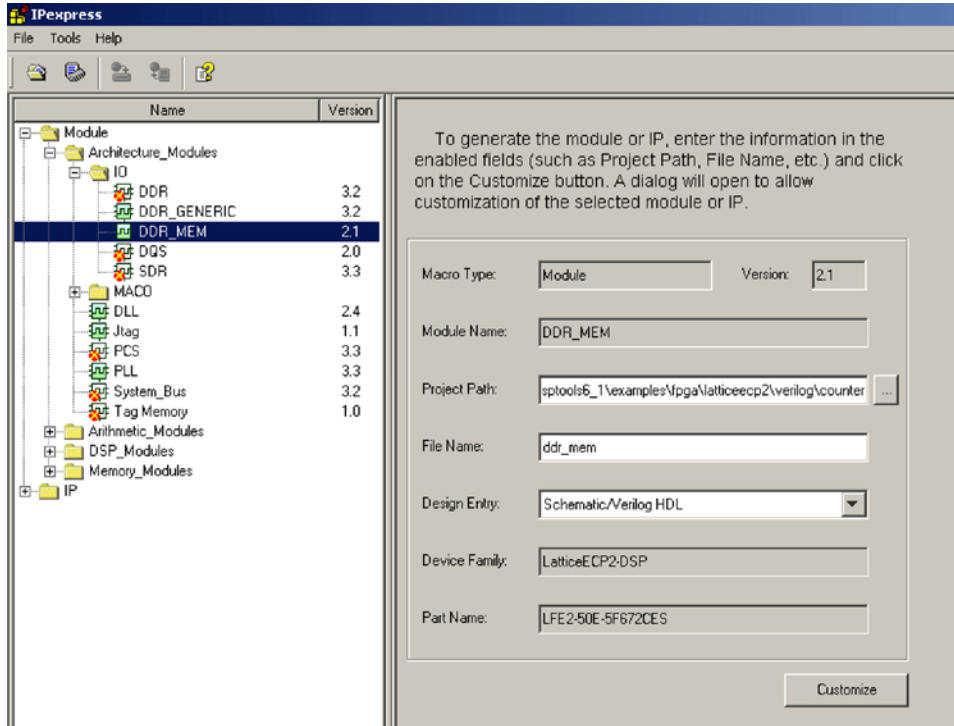
1. Only 1x available when Mode is Bidirection or Tristate.

DDR_MEM

Figure 11-45 shows the main window when DDR_MEM is selected. Similar to the DDR_Generic, the only entry required here is the module name. Other entries are set to the project settings. The user may change these entries

if desired. After entering the module name, click on **Customize** to open the **Configuration Tab** window as shown in Figure 11-46.

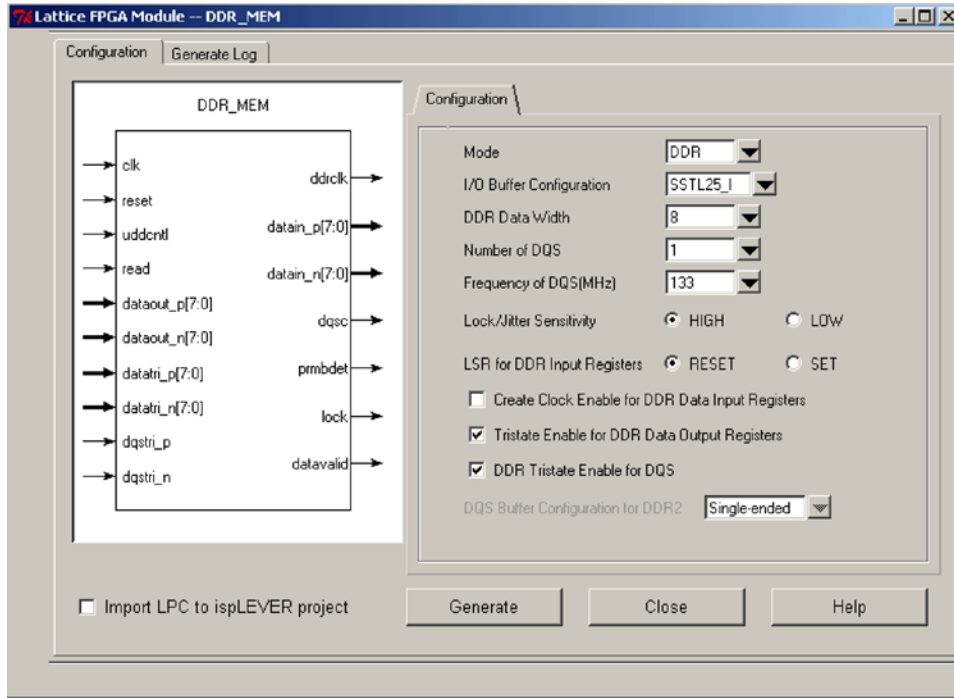
Figure 11-45. IPexpress Main Window for DDR_MEM



Configuration Tab

The Configuration Tab lists all user-accessible attributes with default values set. Upon completion, click **Generate** to generate source and constraint files. The user may choose to use the .lpc file to load parameters.

Figure 11-46. Configuration Tab for DDR_MEM



The user can change the Mode parameter to choose either the DDR or DDR2 interface. The other configuration parameters will change according to the Mode selected. The Number of DQS parameter determines the number of DDR interfaces. The software will assume there are eight data bits for every DQS. The user can also choose the frequency of operation and the DDR DLL will be configured to this frequency.

The user has an option to enable the clock enable and tristate enables for the DDR registers. It is recommend that the Lock/Jitter be enabled if the DDR interface is running at 150MHz or higher.

The parameters available depend on the mode selected. Tables 11-13 and 11-14 describe all user parameters in the IPexpress GUI and their usage for modes DDR and DDR2.

Table 11-13. User Parameters in the IPexpress GUI when in DDR Mode

User Parameters	Description	Values/Range	Default
I/O Buffer Configuration	I/O Standard used for the Interface. This will also depend on the Mode selected.	SSTL25_I, SSTL25_II	SSTL25_I
Data Width	Width of the Data bus	8-64	8
Number of DQS	Number of DQS will determine the number of DQS Groups	1, 2, 4, 8	1
Frequency of DQS	DDR Interface Frequency. This is also input to the DDR DLL. The values will depend on the mode selected.	100MHz, 133MHz, 166MHz, 200MHz	200MHz
Lock/Jitter Sensitivity	DLL Sensitivity to Jitter	High, Low	High
LSR for DDR Input Register	LSR Control	RESET, SET	RESET
Create Clock Enable for DDR Input Register	Create Clock enable inputs to the block	On/Off	Off
Tri-state Enable for DDR Output Registers	Creates Tri-state control for the DDR data output registers.	On/Off	On
DDR Tristate enable for the DQS output	Creates Tristate control for DQS output	On/Off	On

Table 11-14. User Parameters in the IPexpress GUI when in DDR2 Mode

User Parameters	Description	Values/Range	Default
I/O Buffer Configuration	I/O Standard used for the Interface. This will also depend on the Mode selected.	SSTL18_I, SSTL18_II	SSTL18_I
Data Width	Width of the Data bus	8-64	8
Number of DQS	Number of DQS will determine the number of DQS Groups	1, 2, 4, 8	1
Frequency of DQS	DDR Interface Frequency. This is also input to the DDR DLL. The values will depend on the mode selected.	166MHz, 200MHz, 266MHz	200MHz
Lock/Jitter Sensitivity	DLL Sensitivity to Jitter	High, Low	High
LSR for DDR Input Register	LSR Control	RESET, SET	RESET
Create Clock Enable for DDR Input Register	Create Clock enable inputs to the block	On/Off	Off
Tri-state Enable for DDR Output Registers	Creates Tri-state control for the DDR data output registers.	On/Off	On
DDR Tristate enable for the DQS output	Creates Tristate control for DQS output	On/Off	On
DQS Buffer Configuration for DDR2	DQS Buffer can be configured as Differential	On/Off	Off

FCRAM (“Fast Cycle Random Access Memory”) Interface

FCRAM is a DDR-type DRAM, which performs data output at both the rising and falling edges of the clock. FCRAM devices operate at a core voltage of 2.5V with SSTL Class II I/O. It has enhanced both the core and peripheral logic of the SDRAM. In FCRAM the address and command signals are synchronized with the clock input, and the data pins are synchronized with the DQS signal. Data output takes place at both the rising and falling edges of the DQS. DQS is in phase with the clock input of the device. The DDR SDRAM and DDR FCRAM controller will have different pinouts.

LatticeXP2 devices can implement the FCRAM interface using dedicated DQS logic, input DDR registers and output DDR registers, as described in the Implementing Memory Interfaces section of this document. Generation of address and control signals for FCRAM are different than in DDR SDRAM devices. Please refer to the FCRAM data sheets to see detailed specifications. Toshiba, Inc. and Fujitsu, Inc. offer FCRAM devices in 256Mb densities. They are available in x8 or x16 configurations.

Board Design Guidelines

The most common challenge associated with implementing DDR memory interfaces is the board design and layout. It is required that users strictly follow the guidelines recommended by memory device vendors.

Some of the common recommendations include matching trace lengths of interface signals to avoid skew, proper DQ-DQS signal grouping, proper termination of the SSTL2 or SSTL18 I/O Standard, proper VREF and VTT generation decoupling and proper PCB routing.

The following documents include board layout guidelines:

- www.idt.com, IDT, PCB Design for Double Data Rate Memory
- www.motorola.com, AN2582, Hardware and Layout Design Considerations for DDR Interfaces

References

- www.jedec.org, JEDEC Standard 79, Double Data Rate (DDR) SDRAM Specification
- www.micron.com, DDR SDRAM Data Sheets

- www.infinition.com, DDR SDRAM Data Sheets
- www.samsung.com, DDR SDRAM Data Sheets
- www.toshiba.com, DDR FCRAM Data Sheet
- www.fujitsu.com, DDR FCRAM Data Sheet
- RD1019, [QDR Memory Controller Reference Design](#)
- IPUG35, [DDR1 & DDR2 SDRAM Controller \(Pipelined Versions\) User's Guide](#)

Technical Support Assistance

Hotline: 1-800-LATTICE (North America)
 +1-503-268-8001 (Outside North America)
 e-mail: techsupport@latticesemi.com
 Internet: www.latticesemi.com

Revision History

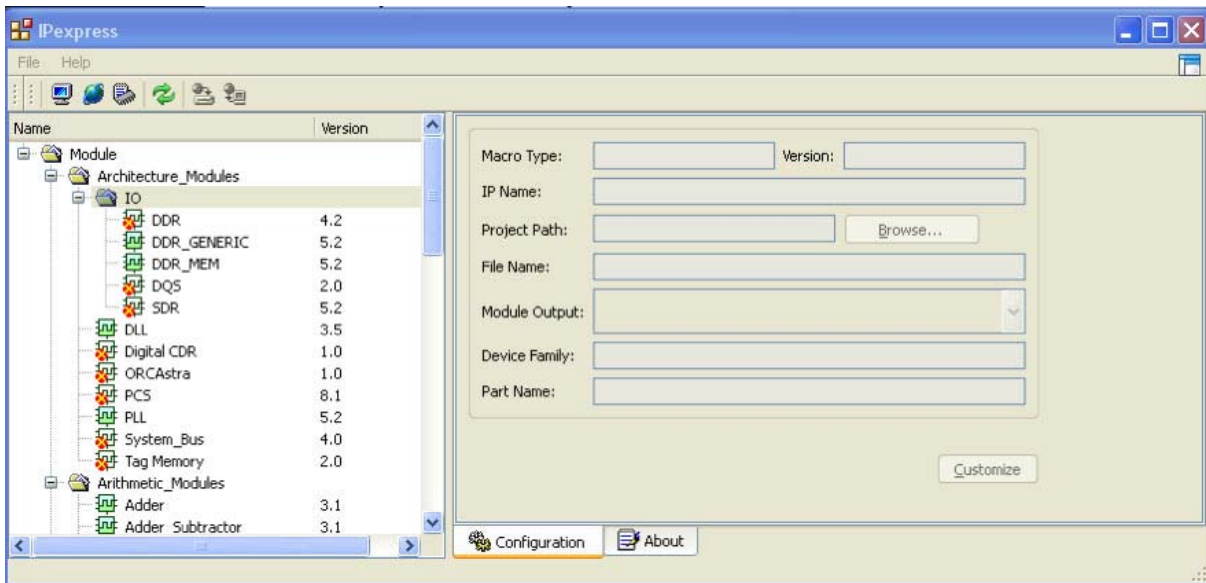
Date	Version	Change Summary
February 2007	01.0	Initial release.
May 2007	01.1	Updated the port names on the input DDR block diagrams.
		Updated text in DQS Transition Detect section under Memory Read Implementation.
February 2009	01.2	Updated DLL Compensated DQS Delay Elements text section.
June 2009	01.3	Updated DQSDLL Update Control text section.
June 2010	01.4	Added Appendix A - DDR Generation using Diamond IPexpress

Appendix A. DDR Generation using Diamond IPexpress

The IPexpress tool in the Lattice Diamond design software can be used to configure and generate the DDR Memory Interface and Generic DDR Module. The tool will generate an HDL module that contains the DDR primitives. This module can be using in the top level design.

Figure 11-47 shows the main window of IPexpress. The DDR_Generic and DDR_MEM options under **Architecture > IO** are used to configure the DDR modules.

Figure 11-47. IPexpress Main Window

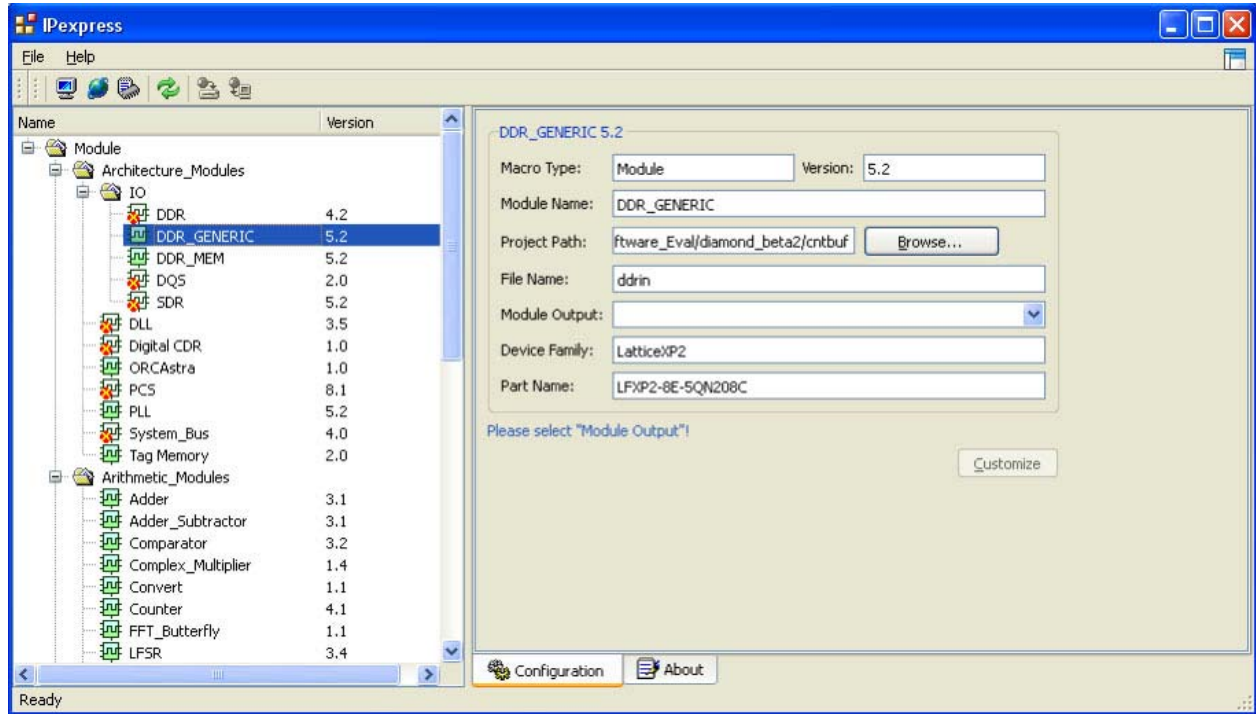


DDR Generic

Figure 11-48 shows the main window when DDR_Generic is selected. The only entry required in this window is the module name. Other entries are set to the project settings.

The user may change these entries if desired. After entering the module name, click on **Customize** to open the Configuration Tab window as shown in Figure 11-49.

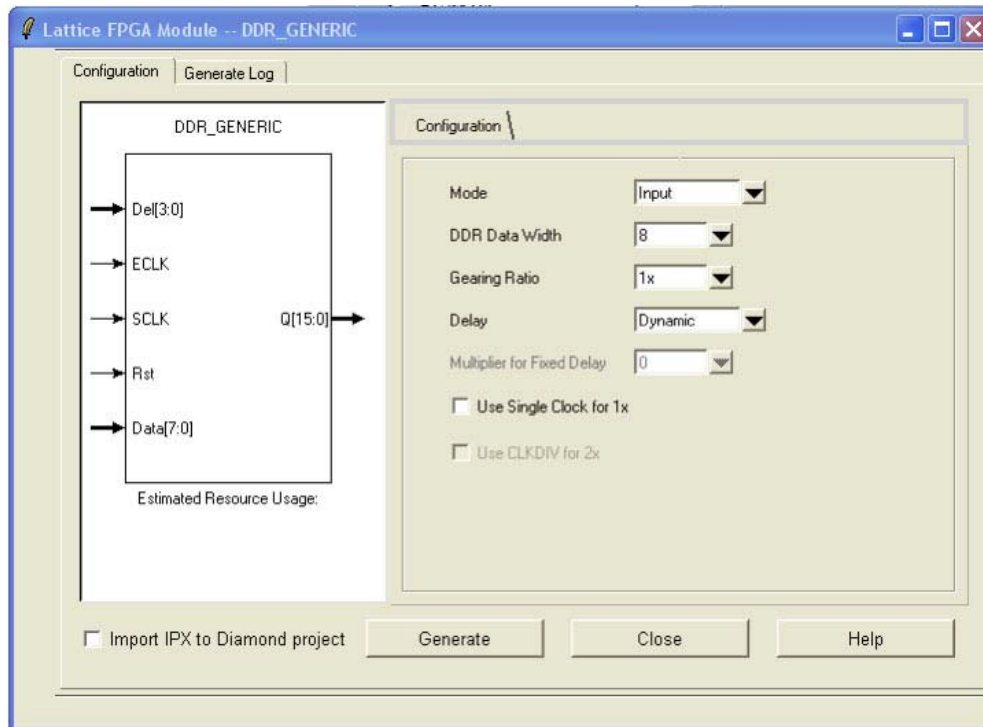
Figure 11-48. IPexpress Main Window for DDR_Generic



Configuration Tab

The Configuration Tab lists all user-accessible attributes with default values set. Upon completion, click **Generate** to generate source and constraint files. The user may choose to use the .lpx file to load parameters.

Figure 11-49. Configuration Tab for DDR_Generic



The user can change the Mode parameter to choose either the Input, Output, Bi-directional or Tristate DDR module. The other configuration parameters will change according to the mode selected. The Delay parameter is only available for Input and Bi-directional modes. Similarly, the Multiplier for the Fixed Delay parameter is only available when the Delay parameter is configured to Fixed.

Table 11-15. User Parameters in the IPexpress GUI

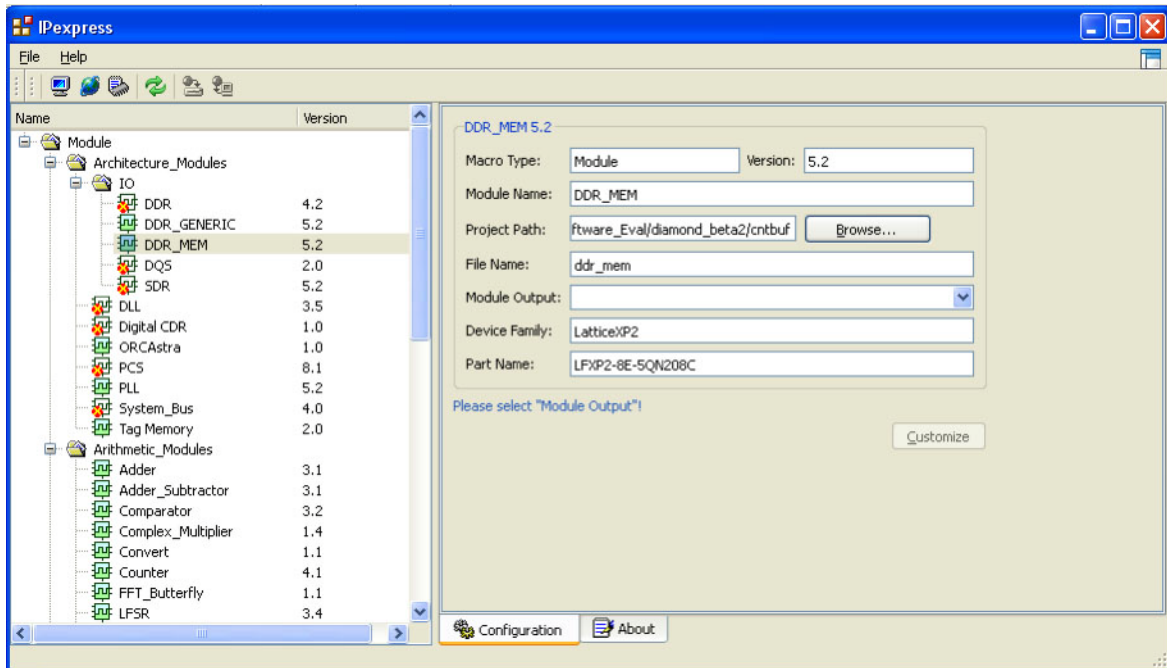
User Parameters	Description	Values/Range	Default
Mode	Mode selection for the DDR block.	Input, Output, Bidirectional, Tristate	Input
Data Width	Width of the data bus.	1-64	8
Gearing Ratio	Gearing ratio selection.	1x, 2x ¹	1x
Delay	Input delay configuration	Dynamic, Fixed, Fixed XGMII	Dynamic
Multiplier for Fixed Delay	Fixed delay setting. Available only when delay is configured as fixed.	0-15	0
Use Single Clk for 1x	Allows for the selection of a single clock for the gearing logic.	On/Off	Off

1. Only 1x available when Mode is Bidirection or Tristate.

DDR_MEM

Figure 11-50 shows the main window when DDR_MEM is selected. Similar to DDR_Generic, the only entry required is the module name. Other entries are set to the project settings. The user may change these entries if desired. After entering the module name, click on **Customize** to open the Configuration Tab window as shown in Figure 11-51.

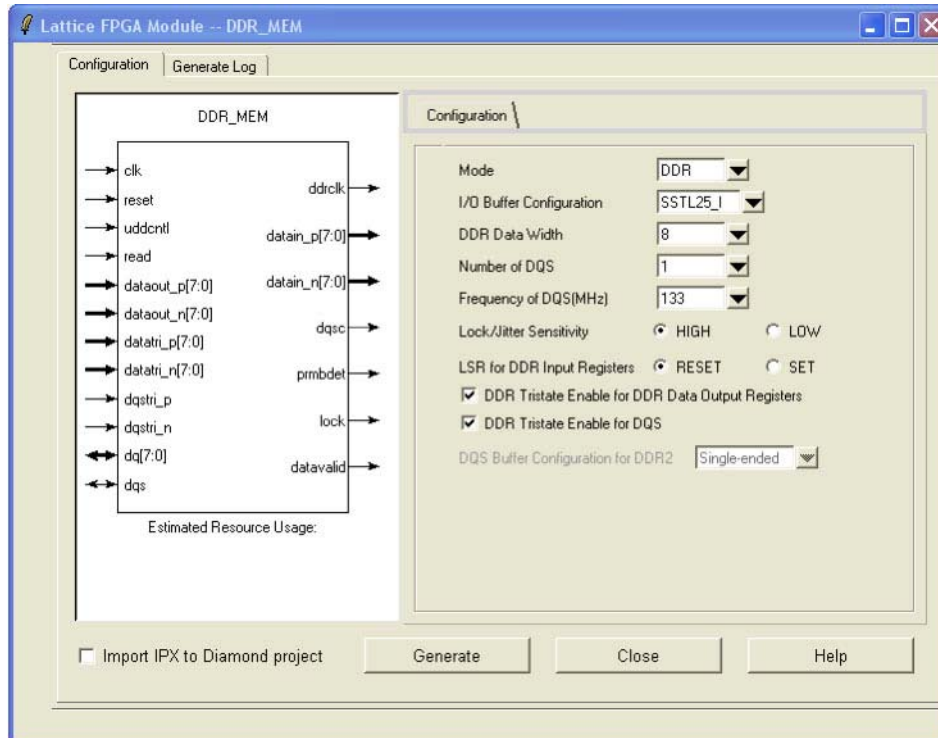
Figure 11-50. IPexpress Main Window for DDR_MEM



Configuration Tab

The Configuration Tab lists all user-accessible attributes with default values set. Upon completion, click Generate to generate source and constraint files. The user may choose to use the .lpx file to load parameters.

Figure 11-51. Configuration Tab for DDR_MEM



The user can change the Mode parameter to choose either the DDR or DDR2 interface. The other configuration parameters will change according to the Mode selected. The Number of DQS parameter determines the number of DDR interfaces. The software will assume there are eight data bits for every DQS. The user can choose the frequency of operation and the DDR DLL will be configured to this frequency.

The user has the option to enable the clock enable and tristate enables for the DDR registers. It is recommended that the Lock/Jitter be enabled if the DDR interface is running at 150 MHz or higher.

The parameters available depend on the mode selected. Tables 11-16 and 11-17 describe all user parameters in the IPexpress GUI and their usage for modes DDR and DDR2.

Table 11-16. User Parameters in the IPexpress GUI when in DDR Mode

User Parameters	Description	Values/Range	Default
I/O Buffer Configuration	I/O Standard used for the Interface. This will also depend on the Mode selected.	SSTL25_I, SSTL25_II	SSTL25_I
Data Width	Width of the Data bus	8-64	8
Number of DQS	Number of DQS will determine the number of DQS Groups	1, 2, 4, 8	1
Frequency of DQS	DDR Interface Frequency. This is also input to the DDR DLL. The values will depend on the mode selected.	100MHz, 133MHz, 166MHz, 200MHz	200MHz
Lock/Jitter Sensitivity	DLL Sensitivity to Jitter	High, Low	High
LSR for DDR Input Register	LSR Control	RESET, SET	RESET
Create Clock Enable for DDR Input Register	Create Clock enable inputs to the block	On/Off	Off
Tri-state Enable for DDR Output Registers	Creates Tri-state control for the DDR data output registers.	On/Off	On
DDR Tristate enable for the DQS output	Creates Tristate control for DQS output	On/Off	On

Table 11-17. User Parameters in the IPexpress GUI when in DDR2 Mode

User Parameters	Description	Values/Range	Default
I/O Buffer Configuration	I/O Standard used for the Interface. This will also depend on the Mode selected.	SSTL18_I, SSTL18_II	SSTL18_I
Data Width	Width of the Data bus	8-64	8
Number of DQS	Number of DQS will determine the number of DQS Groups	1, 2, 4, 8	1
Frequency of DQS	DDR Interface Frequency. This is also input to the DDR DLL. The values will depend on the mode selected.	166MHz, 200MHz, 266MHz	200MHz
Lock/Jitter Sensitivity	DLL Sensitivity to Jitter	High, Low	High
LSR for DDR Input Register	LSR Control	RESET, SET	RESET
Create Clock Enable for DDR Input Register	Create Clock enable inputs to the block	On/Off	Off
Tri-state Enable for DDR Output Registers	Creates Tri-state control for the DDR data output registers.	On/Off	On
DDR Tristate enable for the DQS output	Creates Tristate control for DQS output	On/Off	On
DQS Buffer Configuration for DDR2	DQS Buffer can be configured as Differential	On/Off	Off

Introduction

One requirement for design engineers using programmable devices is the ability to calculate the power dissipation for a particular device used on a board. Lattice's ispLEVER® design tools include the Power Calculator tool, which allows designers to calculate the power dissipation for a given device. This technical note describes how to use the Power Calculator tool to calculate the power consumption of the LatticeXP2™ family of devices. General guidelines to reduce power consumption are also included.

Power Supply Sequencing and Hot Socketing

LatticeXP2 devices have been designed to ensure predictable behavior during power-up and power-down. Power supplies can be sequenced in any order. During power-up and power-down sequences, the I/Os remain in tri-state until the power supply voltage is high enough to ensure reliable operation. In addition, leakage into I/O pins is controlled to within the limits specified in the [LatticeXP2 Family Data Sheet](#), allowing for easy integration with the rest of the system. These capabilities make the LatticeXP2 ideal for many multiple power supply and hot-swap applications.

Recommended Power-up Sequence

As described above, the supplies can be sequenced in any order. However, once internal power good is achieved (determined by VCC, VCCAUX, VCCIO Bank x) the device releases the I/Os from tri-state and the management of the I/Os becomes the designer's responsibility. To simplify a system design, it is recommended that supplies be sequenced in the following order: VCCIO, VCC, VCCAUX. If VCCIO is tied to VCC or VCCAUX, then it is recommended that VCCIO and the associated power supply are powered up before the remaining supply.

Please refer to the Hot Socketing section of the [LatticeXP2 Family Data Sheet](#) for more information.

Power Calculator Hardware Assumptions

Power consumption for a device can be coarsely broken down into the DC portion and the AC portion.

The Power Calculator reports the power dissipation in terms of:

1. DC portion of the power consumption.
2. AC portion of the power consumption.

The DC Power (or the Static power consumption) is the total power consumption of the used and the unused resources. These power components are fixed for each resource used and depends upon the number of resource units utilized. The DC component also includes the static power dissipation for the unused resources of the device.

The AC portion of power consumption is associated with the used resources. This is the dynamic part of the power consumption. Its power dissipation is directly proportional to the frequency at which the resource is running and the number of resource units used.

Power Calculation Equations

The following are the power equations used in the Power Calculator:

Lattice Semiconductor

Total DC Power (Resource)

$$\begin{aligned}
 &= \text{Total DC Power of Used Portion} + \text{Total DC Power of Unused Portion} \\
 &= [\text{DC Leakage per Resource when Used} * N_{\text{RESOURCE}}] \\
 &\quad + [\text{DC Leakage per Resource when Unused} * (N_{\text{TOTAL RESOURCE}} - N_{\text{RESOURCE}})]
 \end{aligned}$$

Where:

$N_{\text{TOTAL RESOURCE}}$ is the total number of resources in a device
 N_{RESOURCE} is the number of resources used in the design

The total DC power consumption for all the resources as per the design data is the Quiescent Power in the Power Calculator.

The AC Power is governed by the following equation:

$$\begin{aligned}
 &\text{Total AC Power (Resource)} \\
 &= K_{\text{RESOURCE}} * f_{\text{MAX}} * AF_{\text{RESOURCE}} * N_{\text{RESOURCE}}
 \end{aligned}$$

Where:

$N_{\text{TOTALRESOURCE}}$ is the number of resources in a device
 N_{RESOURCE} is the number of resources used in the design
 K_{RESOURCE} is the power constant for the resource in mW/MHz
 f_{MAX} is the max frequency at which the resource is running. Frequency is measured in MHz.
 AF_{RESOURCE} is the activity factor for the resource group. The Activity Factor is a percentage of the switching frequency.

For example, the power consumption of the Slice portion is calculated in the following equation,

$$\begin{aligned}
 &\text{Total DC Power (Slice)} \\
 &= \text{Total DC Power of Used Portion} + \text{Total DC Power of Unused Portion} \\
 &= [\text{DC Leakage per Slice when Used} * N_{\text{SLICE}}] \\
 &\quad + [\text{DC Leakage per Slice when Unused} * (N_{\text{TOTALSLICE}} - N_{\text{SLICE}})]
 \end{aligned}$$

$$\begin{aligned}
 &\text{Total AC Power (Slice)} \\
 &= K_{\text{SLICE}} * f_{\text{MAX}} * AF_{\text{SLICE}} * N_{\text{SLICE}}
 \end{aligned}$$

Power Calculations

The Power Calculator allows users to estimate power consumption at three different levels:

1. Estimate of the utilized resources before completing place and route
2. Post place and route design
3. Post place and route, post trace, and post simulation

For the first level of estimation, the user provides estimates of device usage in the Power Calculator Wizard and the tool provides a rough estimate of the power consumption.

The second level is a more accurate approach. The user imports the actual device utilization by importing the post Place and Route netlist (NCD) file.

The third level brings even more accuracy to the calculation by importing the Trace (TWR) file to populate the maximum frequencies (f_{MAX}) into the tool. Users also have the option of importing the information from the post simulation (VCD) file and calculating the Activity Factor and Toggle Rates of various components.

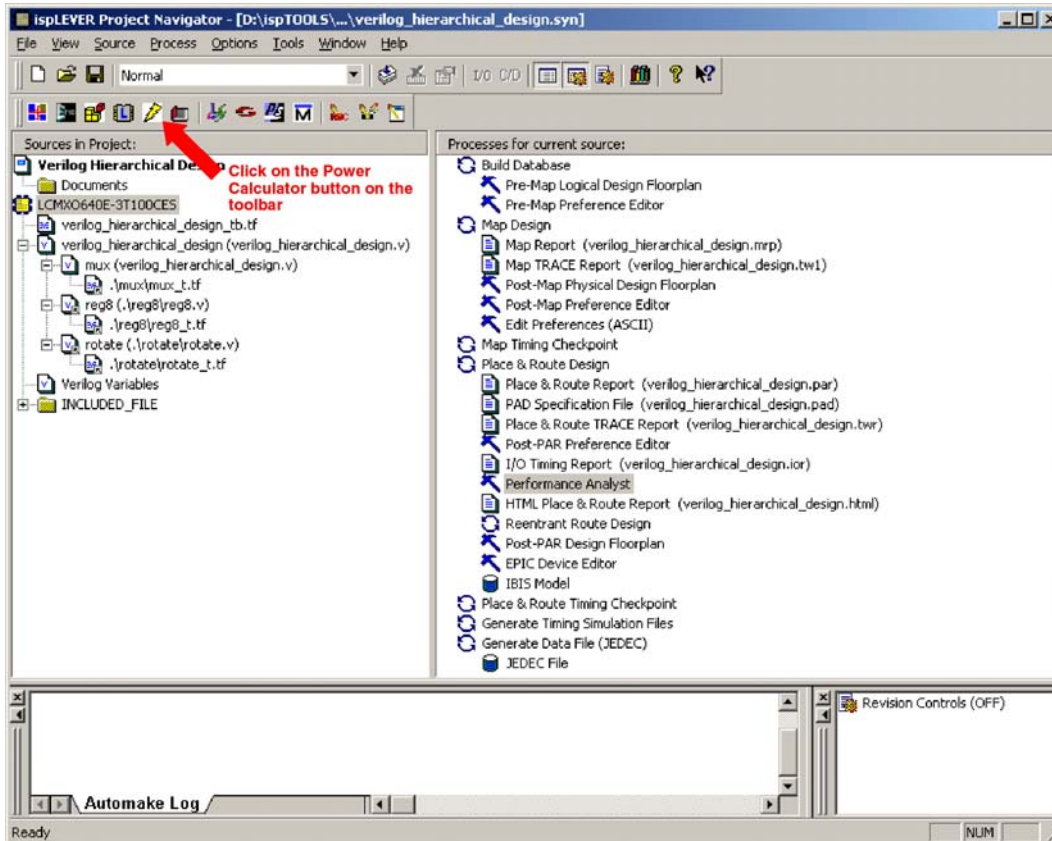
These three stages of power calculation are discussed in detail in the following sections of this document.

Using the Power Calculator

Starting the Power Calculator

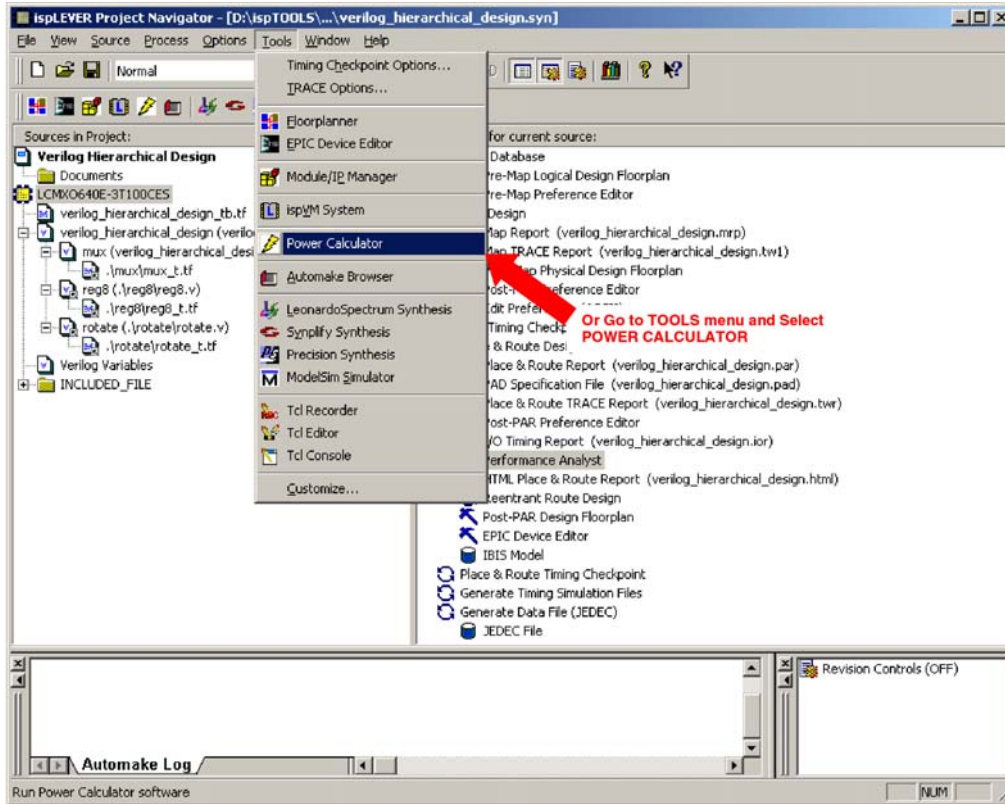
The Power Calculator can be launched by one of two methods. The first method is to click the **Power Calculator button** in the toolbar as shown in Figure 12-1.

Figure 12-1. Starting Power Calculator from the Toolbar



The Power Calculator can also be launched by going to the **Tools** menu and selecting the option **Power Calculator** as shown in Figure 12-2.

Figure 12-2. Starting Power Calculator from Tools Menu

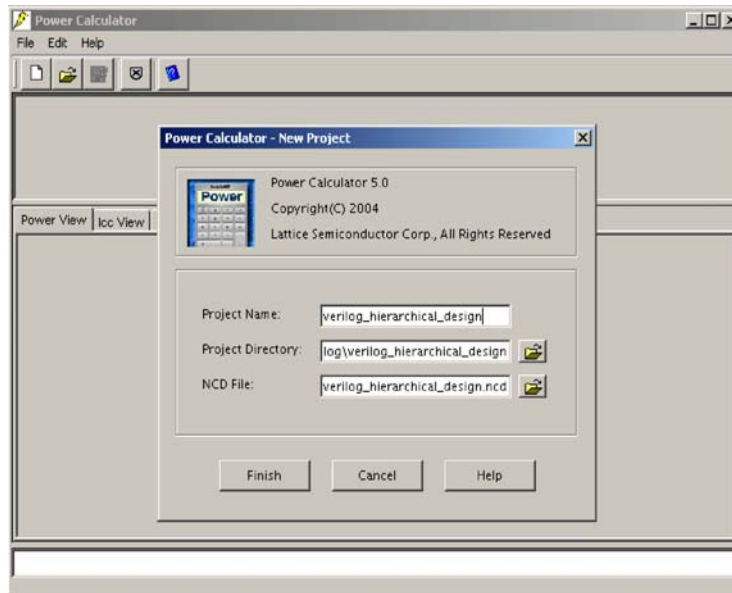


Note: The Power Calculator does not support some older Lattice devices. The toolbar button and menu item are only present when supported devices are selected.

Creating a Power Calculator Project

After starting the Power Calculator, the Power Calculator window is displayed. Click on the **File** menu and select **New** to get to the **Start Project** window as shown in Figure 12-3.

Figure 12-3. Power Calculator Start Project Window (Create New Project)



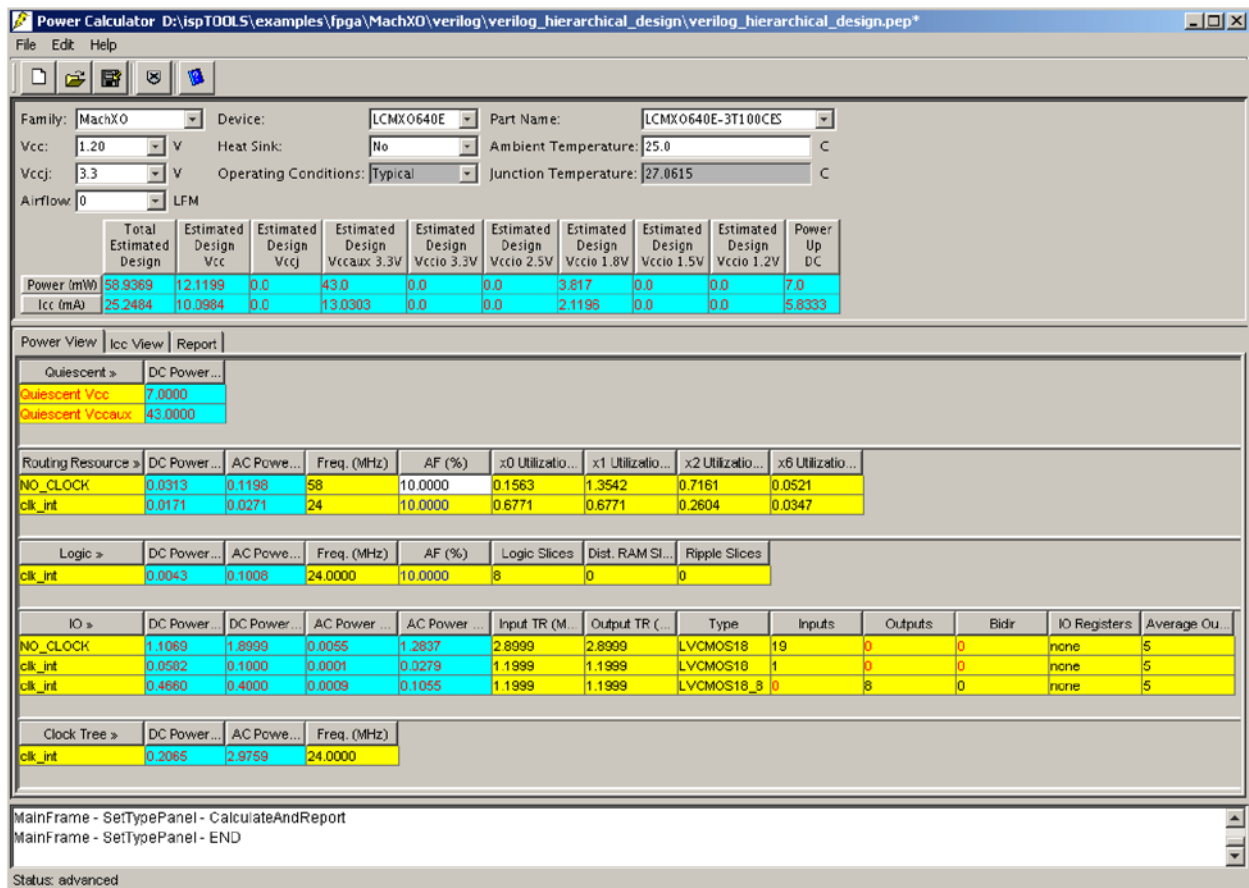
The Start Project window is used to create a new Power Calculator Project (*.pep project). Three pieces of data are entered into the Start Project window.

1. The Power Calculator project name by default is same as the Project Navigator project name. It can be changed, if desired.
2. Project Directory is where the Power Calculator project (*.pep) file will be stored. By default it is stored in the main project folder.
3. The NCD file is automatically selected, if available, or users can browse to the NCD file in a different location.

Power Calculator Main Window

The Power Calculator main window is shown in Figure 4.

Figure 12-4. Power Calculator Main Window (Type View)



The top pane of the window shows information about the device family, device and the part number as it appears in the Project Navigator. The VCC used for the power calculation is also listed. Users have the choice of selecting the core voltage VCC with +5% of the nominal value (or values). The option of selecting VCCJ is also available. Users can provide the ambient temperature, and the junction temperature is calculated based on that.

Users can also enter values for airflow in Linear Feet per Minute (LFM) along with heat sink to obtain the junction temperature.

The table near the top of the Power Calculator main window summarizes the currents and power consumption associated with each type of power supply for the device. This also takes into consideration the I/O power supplies.

In the middle pane of the window, there are three tabs:

1. Power View

The first tab is the Power view. This tab provides an interactive spreadsheet type interface with all values in terms of power consumption mW.

The first column breaks down the design in terms of clock domains. The second and third columns, which are shaded blue, provide the DC (static) and AC (dynamic) power consumption, respectively.

Next are four columns shaded blue. These provide information on the I/O DC and AC power, including core voltage, VCC and the I/O voltage supply, VCCIO.

The first three rows show the Quiescent Power for VCC, VCCAUX and VCCJ. These are DC power numbers for a blank device or device with no resource utilization.

Some of the cells are shaded yellow. These cells are editable cells and users can type in values such as frequency, activity factors and resource utilization. The second tab (the Report tab) is the summary of the Power View. This report is in text format and provides details of the power consumption.

2. ICC View

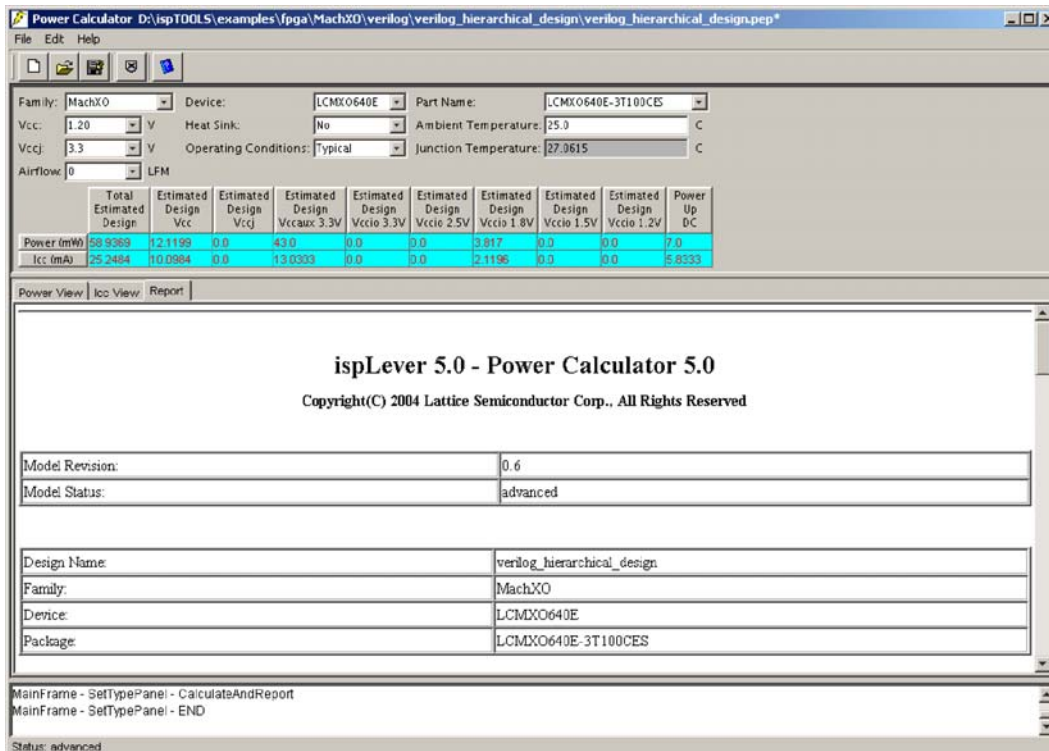
The second tab is the ICC view. This tab is exactly same as the Power View tab, except that all values are expressed in terms of current or mA.

3. Report View

The third and final tab is the Report view. This is an HTML type of Power Calculator report. It summarizes the contents of the Power and ICC views.

The final pane, the lower pane of the window, is the log pane where users can see a log of the various operations in the Power Calculator.

Figure 12-5. Power Calculator Main Window (Power Report View)

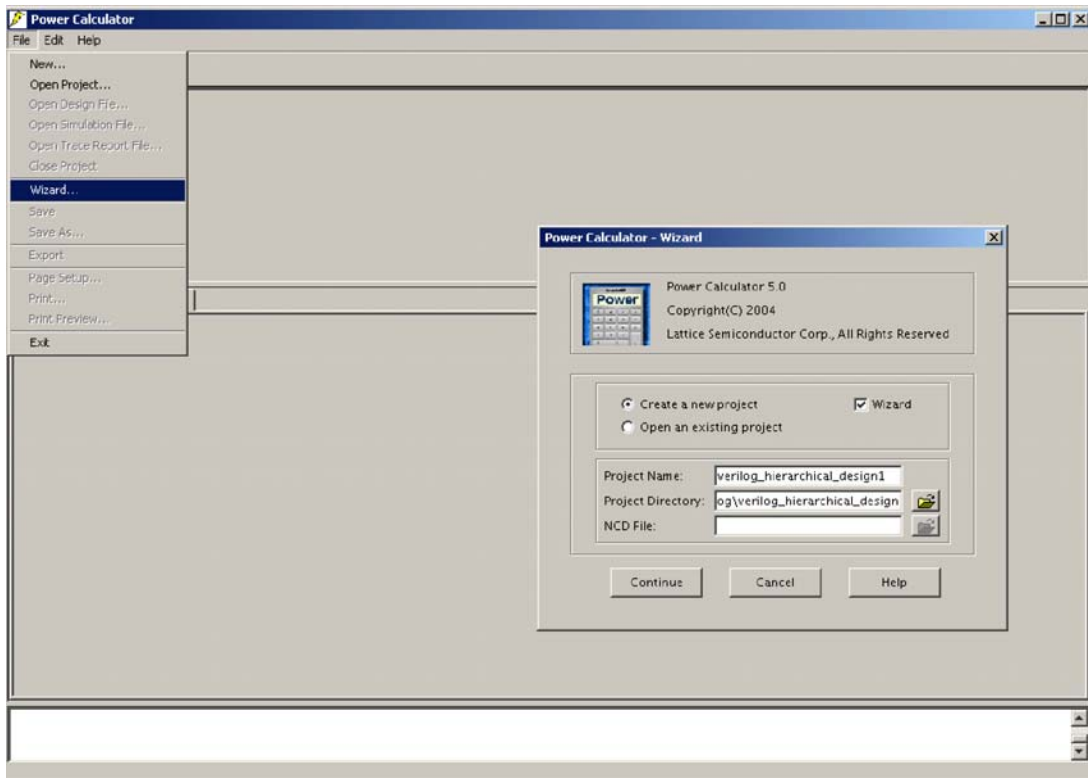


Power Calculator Wizard

The Power Calculator Wizard allows users to estimate the power consumption of a design. This estimation is done before the design is created. It is important for the user to understand the logic requirements of the design. The wizard allows the user to provide the required parameters and then estimates the power consumption of the device.

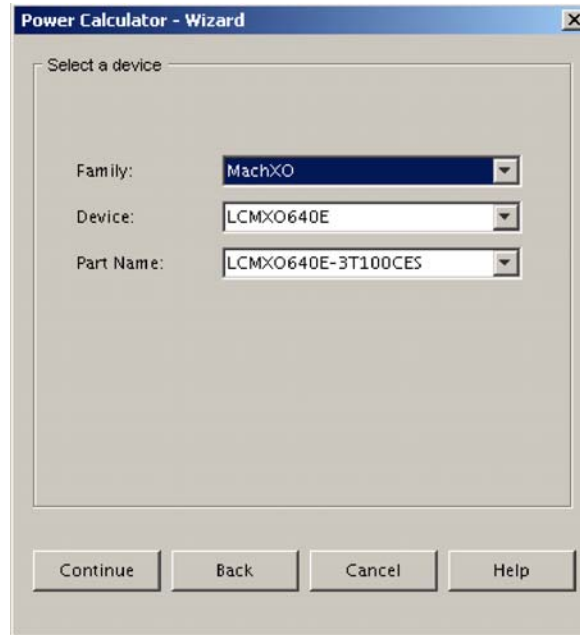
To start the Power Calculator in the wizard mode, go to the **File** menu and select **Wizard**. Alternatively, you can click on the **Wizard button** to see the Power Calculator - Wizard window as shown in Figure 12-6. Select the option **Create a new Project** and check the **Wizard check box** in the Power Calculator Start Project window. Provide the project name and the project folder and click **Continue**. Since this is power estimation before the actual design, no NCD file is required.

Figure 12-6. Power Calculator Start Project Window (Using the New Project Window Wizard)



In the next screen, the device family, device, and part number are chosen. After making the proper selections, click **Continue**. This is shown in Figure 7.

Figure 12-7. Power Calculator Wizard Mode Window - Device Selection

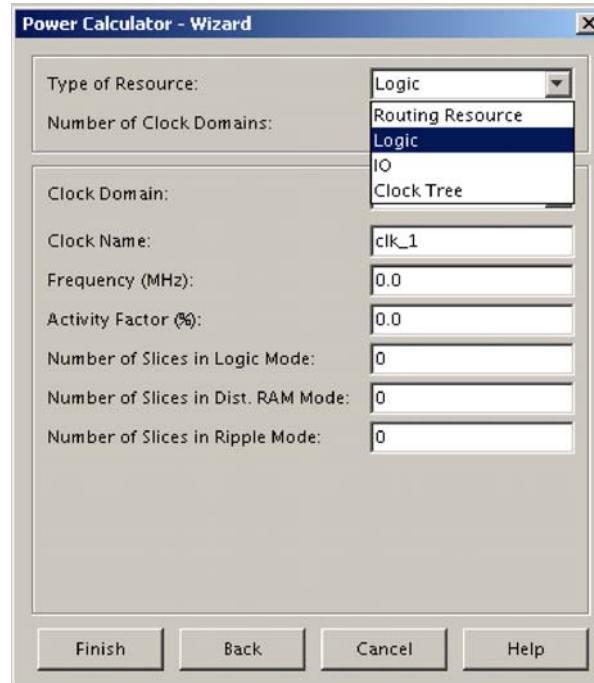


In the following screens (Figures 8-12) users can select additional resources, such as I/O types, clock name, frequency at which the clock is running and other parameters by selecting the appropriate resource using the pull-down **Type** menu.

1. Routing Resources
2. Logic
3. EBR
4. I/O
5. PLL
6. Clock Tree

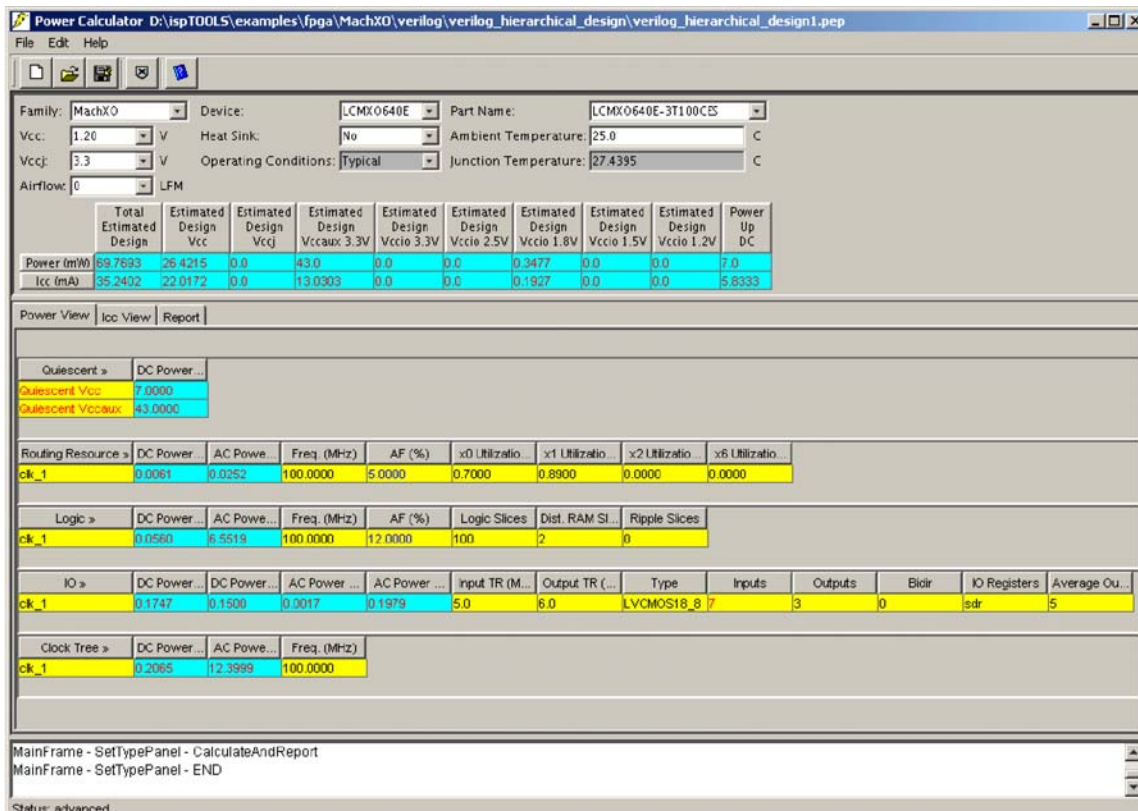
The number in these windows refers to the number of clocks and the index corresponds to each of the clocks. By default, the clock names are clk_1, clk_2, and so on. Clock names can be changed by typing in the Clock Name text box. For each clock domain and resource, parameters such as Frequency and Activity Factor can be specified. In the final window, click the **Create** button for each clock driven resource to include the parameters specified for it.

Figure 12-8. Power Calculator Wizard Mode Window - Resource Specification



These parameters are then used in the Power Type View window, which can be seen upon clicking on **Finish** (see Figure 9).

Figure 12-9. Power Calculator Wizard Mode - Main Window



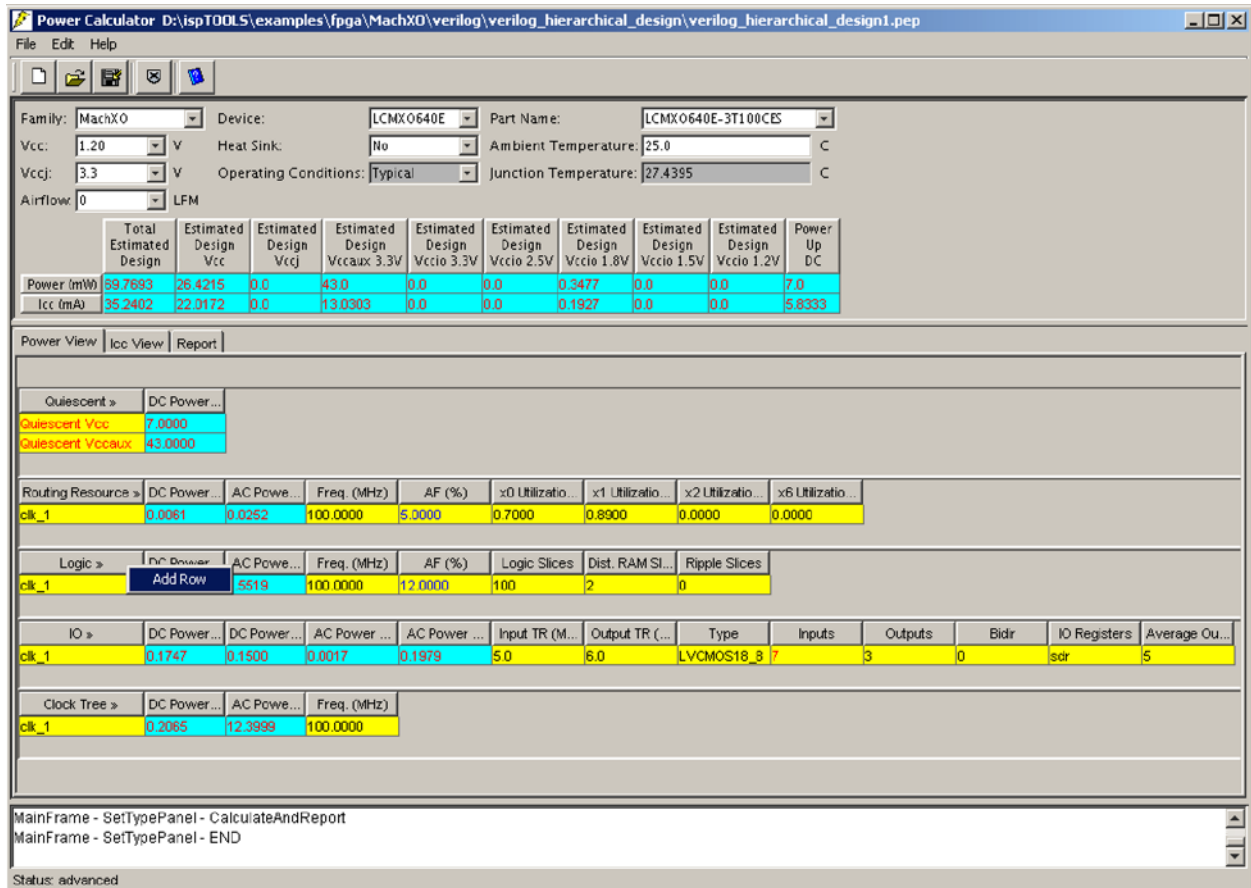
Creating a New Project Without the NCD File

A new project can be started without the NCD file, either by using the wizard (as discussed above) or by selecting the **Create a New Project** option in the Power Calculator - Start Project. The project name and project directory must be provided. After clicking **Continue** the Power Calculator main window will be displayed.

However, in this case there are no resources added. The power estimation row for the routing resources is always available in the Power Calculator. Additional information such as the Slice, EBR, I/O, PLL, and clock tree utilization must be provided to calculate the power consumption.

For example, if the user wants to add the logic resources shown in Figure 10, right-click on **Logic >>** and then select **Add Row** in the menu that pops up.

Figure 12-10. Power Calculator Main Window - Adding Resources



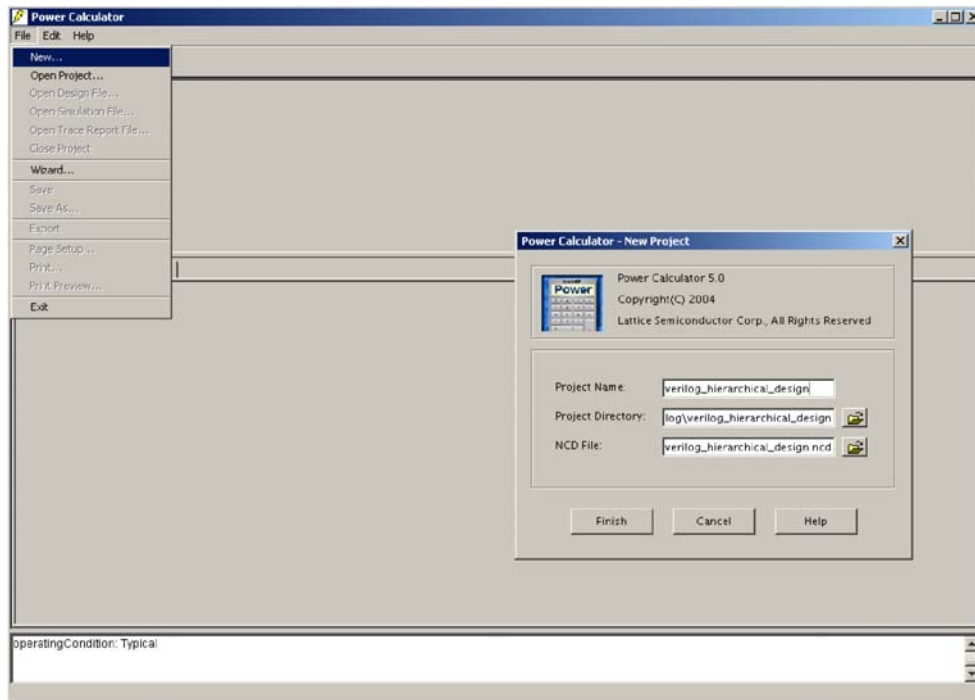
This adds a new row for the logic resource utilization with clock domain named clk_1.

Similarly, other resources like EBR, I/Os, PLLs and routing can be added. Each of these resources is used for AC power estimation and categorized by clock domains.

Creating a New Project with the NCD File

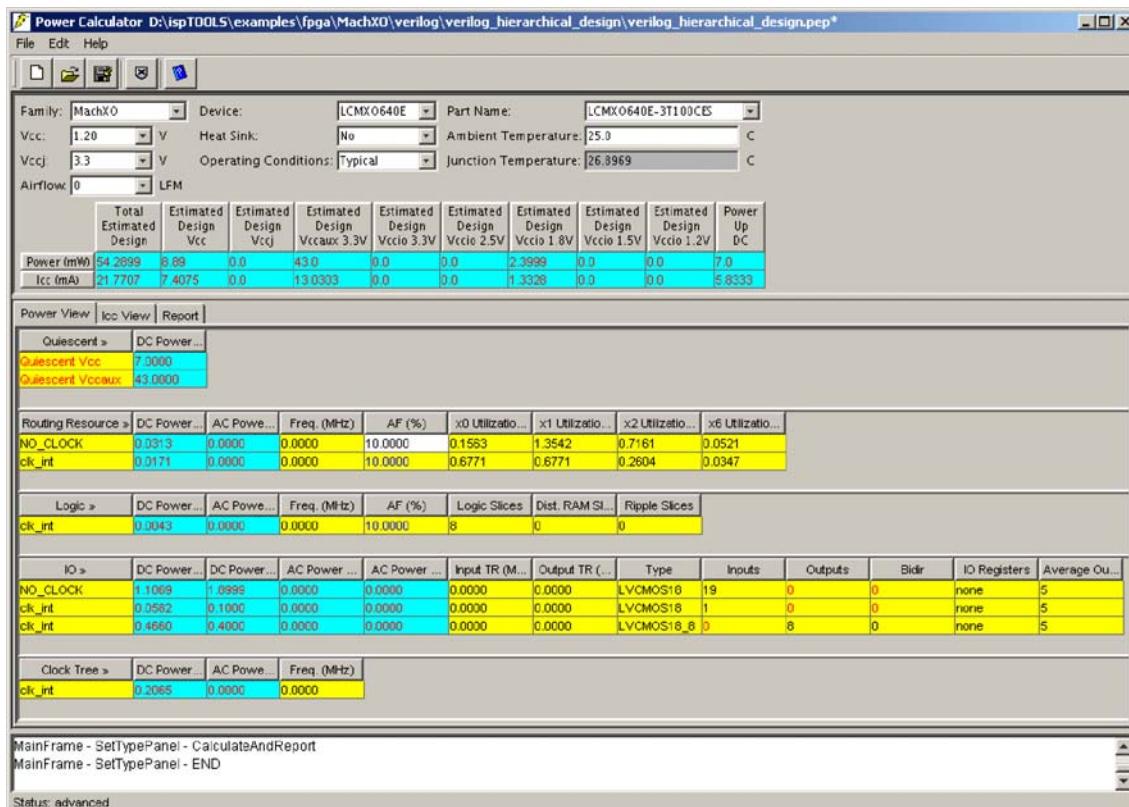
If the post place and routed NCD file is available, the Power Calculator can use it to import accurate information about the design data and resource utilization for power calculation. After starting the Power Calculator, the NCD file is automatically placed in the NCD File option, if it is available in the project directory. Otherwise, browse to the NCD file using the Power Calculator.

Figure 12-11. Power Calculator Start Project Window with Post PAR NCD File



The information from the NCD file is automatically inserted into the correct rows and Power Calculator uses the Clock names from the design as shown in Figure 12-12.

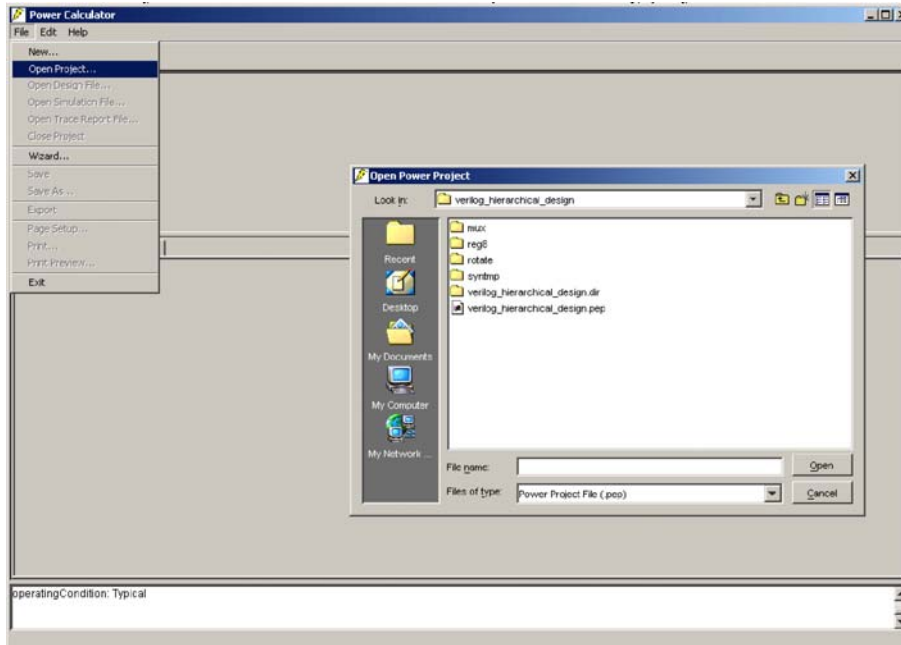
Figure 12-12. Power Calculator Main Window - Resource Utilization Picked Up from the NCD File



Opening an Existing Project

The Power Calculator - Start Project window also allows users to open an existing project. Select **Open Existing Project** and browse to the *.pep project file and click **Continue**. This opens the existing project in windows similar to those discussed above (see Figure 12-13).

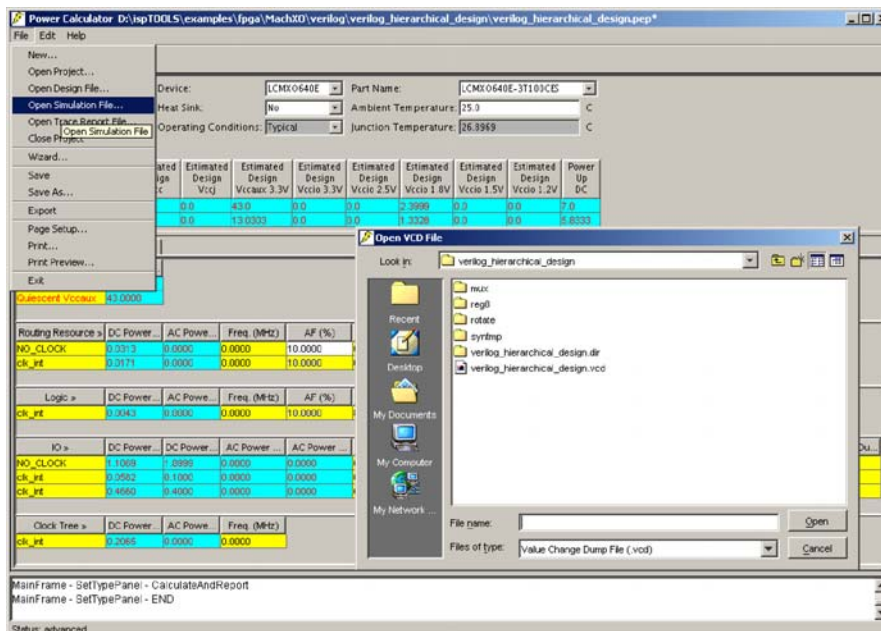
Figure 12-13. Opening an Existing Project in Power Calculator



Importing a Simulation File (VCD)

A post simulation VCD file can be imported into the Power Calculator project to estimate a design's activity factors. Under the **File** menu, select **Open Simulation File** and browse to the VCD file location and select **Open**. All AF and Toggle Rate fields are then populated with the information from this file, as shown in Figure 12-14.

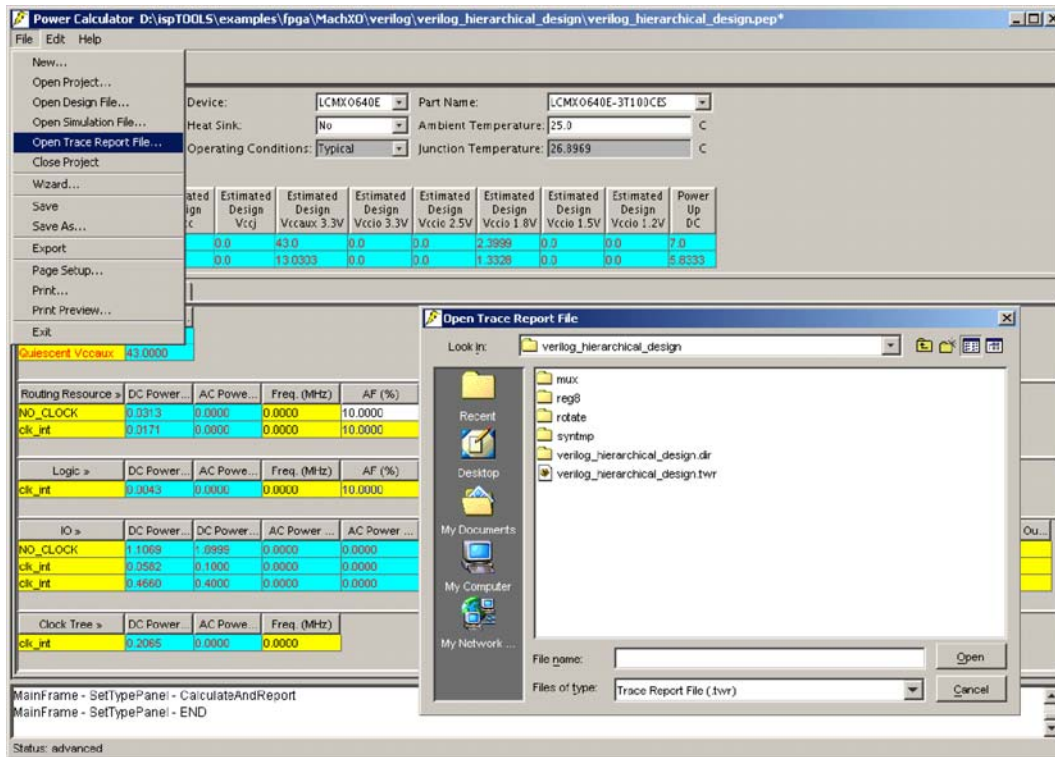
Figure 12-14. Importing a Simulation File in an Existing Power Calculator Project



Importing a Trace Report File (TWR)

Post Trace TWR file can be imported into the Power Calculator project to estimate a design’s activity factors. Under the **File** menu, select **Open Trace Report File**, browse to the TWR file location and select **Open**. All Freq. (MHz) fields are then populated with the information from this file, as shown in Figure 12-15.

Figure 12-15. Importing a Trace Report File to a Power Calculator Project



Activity Factor and Toggle Rate

Activity Factor% (or AF%) is defined as the percentage of frequency (or time) that a signal is active or toggling of the output. Most of the resources associated with a clock domain are running or toggling at some percentage of the frequency at which the clock is running. Users must provide this value as a percentage under the AF% column in the Power Calculator tool.

Another term used is the I/O Toggle Rate or the I/O Toggle Frequency. The AF% is applicable to the PFU, routing and memory read write ports, etc. The activity of the I/Os is determined by the signals provided by the user (for inputs) or as an output of the design (for outputs). Therefore, the rates at which I/Os toggle define their activity. The Toggle Rate (or TR) in MHz of the output is defined by the following equation:

$$\text{Toggle Rate (MHz)} = 1/2 * f_{\text{MAX}} * \text{AF\%}$$

Users must provide the TR (MHz) value for the I/O instead of providing the Frequency and AF% in case of other resources. The AF can be calculated for each routing resource, output or PFU. However, it involves long calculations. The general recommendation for a design occupying roughly 30% to 70% of the device is an AF% of 15% to 25%. This is an average value that can be seen most of the design. An accurate value for an activity factor depends upon clock frequency, stimulus to the design and the final output.

Ambient and Junction Temperatures and Airflow

A common method of characterizing a packaged device's thermal performance is with thermal resistance, or Θ . For a semiconductor device, thermal resistance indicates the steady state temperature rise of the die junction above a given reference for each watt of power (heat) dissipated at the die surface. Its units are $^{\circ}\text{C}/\text{W}$.

The most common examples are Θ_{JA} , Thermal Resistance Junction-to-Ambient (in $^{\circ}\text{C}/\text{W}$) and Θ_{JC} , Thermal Resistance Junction-to-Case (also in $^{\circ}\text{C}/\text{W}$). Another factor is Θ_{JB} , Thermal Resistance Junction-to-Board (in $^{\circ}\text{C}/\text{W}$).

Knowing the reference (i.e. ambient, case, or board) temperature, the power, and the relevant Θ value, the junction temp can be calculated by the following equations.

$$T_{\text{J}} = T_{\text{A}} + \Theta_{\text{JA}} * P \quad (1)$$

$$T_{\text{J}} = T_{\text{C}} + \Theta_{\text{JC}} * P \quad (2)$$

$$T_{\text{J}} = T_{\text{B}} + \Theta_{\text{JB}} * P \quad (3)$$

While T_{J} , T_{A} , T_{C} and T_{B} are the Junction, Ambient, Case (or Package) and Board temperatures (in $^{\circ}\text{C}$) respectively, P is the total power dissipation of the device.

Θ_{JA} is commonly used with natural and forced convection air-cooled systems. Θ_{JC} is useful when the package has a high conductivity case mounted directly to a PCB or heatsink. And Θ_{JB} applies when the board temp adjacent to the package is known.

The Power Calculator utilizes the Ambient Temperature ($^{\circ}\text{C}$) to calculate the Junction Temperature ($^{\circ}\text{C}$) based on the Θ_{JA} for the targeted device, per Equation 1 above. Users can also provide the Airflow values (in LFM) to get a more accurate value of the Junction temperature.

Managing Power Consumption

One of the most critical design factors today is the reduction of system power consumption, especially for modern handheld devices and electronics. There are several design techniques that can significantly reduce overall system power consumption. Some of these include:

1. Reducing operating voltage.
2. Operating within the specified package temperature limitations.
3. Using the optimum clock frequency to reduce power consumption, since dynamic power is directly proportional to the frequency of operation. Designers must determine if a portion of their design can be clocked at a lower rate that will reduce power.
4. Reducing the span of the design across
5. Reducing the voltage swing of the I/Os where possible.
6. Using optimum encoding where possible. For example, a 16-bit binary counter has, on average, only 12% Activity Factor and a 7-bit binary counter has an average of 28% Activity Factor. On the other hand, a 7-bit Linear Feedback Shift Register could toggle as much as 50% Activity Factor, which causes higher power consumption. A gray code counter, where only one bit changes at each clock edge, will use the least amount of power, as the Activity Factor would be less than 10%.
7. Minimize the operating temperature, by the following methods:
 - a. Use packages that can better dissipate heat. For example, packages with lower thermal impedance.
 - b. Place heat sinks and thermal planes around the device on the PCB.
 - c. Better airflow techniques using mechanical airflow guides and fans (both system fans and device mounted fans).

Power Calculator Assumptions

The following are the assumptions made by the Power Calculator:

1. The Power Calculator tool is based on equations with constants based on a room temperature of 25°C.
2. The user can define the Ambient Temperature (T_A) for device Junction Temperature (T_J) calculation based on the power estimation. T_J is calculated from user-entered T_A and power calculation of typical room temperature.
3. I/O power consumption is based on output loading of 5pF. Users can change this capacitive loading.
4. The Power Calculator provides an estimate of the power dissipation and current for each of the following types of power supplies: VCC, VCCIO, VCCJ and VCCAUX.
5. The nominal VCC is used by default to calculate power consumption. A lower or higher VCC can be chosen from a list of available values.
6. Airflow in Linear Feet per Minute (LFM) can be entered by the user along with the Heat Sink option to calculate the Junction Temperature.
7. The default value of the I/O types is LVCMOS12, 6mA.
8. The Activity Factor (AF) is defined as the toggle rate of the registered output. For example, assuming that the input of a flip-flop is changing at every clock cycle, 100% AF of a flip-flop running at 100MHz is 50MHz.

Technical Support Assistance

Hotline: 1-800-LATTICE (North America)
+1-503-268-8001 (Outside North America)

e-mail: techsupport@latticesemi.com

Internet: www.latticesemi.com

Revision History

Date	Version	Change Summary
February 2007	01.0	Initial release.

Introduction

This technical note discusses how to access the features of the LatticeXP2™ sysDSP™ (Digital Signal Processing) Block described in the [LatticeXP2 Family Data Sheet](#). Designs targeting the sysDSP Block can offer significant improvement over traditional LUT-based implementations. Table 13-1 provides an example of the performance and area benefits of this approach:

Table 13-1. sysDSP Block vs. LUT-based Multipliers

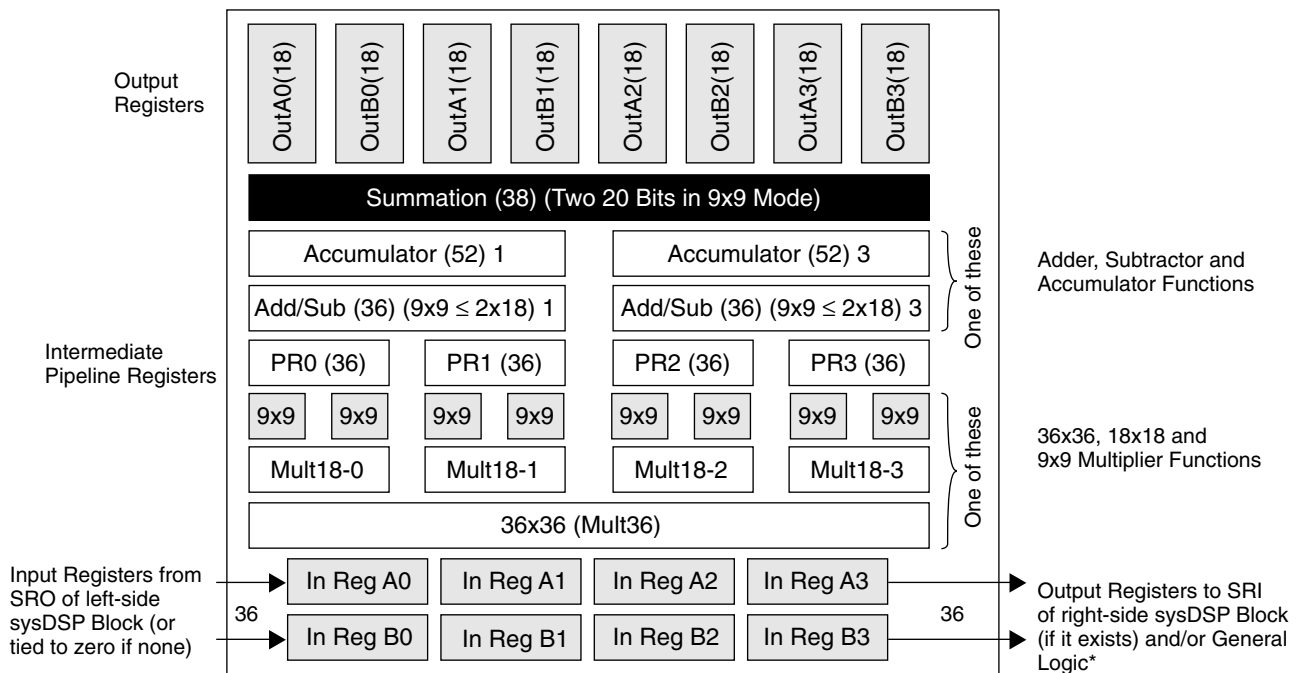
Multiplier Width	Register Pipelining	XP2-17-7 Uses One sysDSP Block		XP2-17-7 Uses LUTs	
		f _{MAX} (MHz) ¹	LUTs	f _{MAX} (MHz) ¹	LUTs
9x9	Input, Multiplier, Output	365	0	103	192
18x18	Input, Multiplier, Output	365	0	76	698
36x36	Input, Multiplier, Output	323	0	50	2732

1. These timing numbers were generated using the ispLEVER[®] design tool. Exact performance may vary with design and tool version.

sysDSP Block Hardware

The LatticeXP2 sysDSP Blocks are located in rows throughout device. Below is a block diagram of one of the sysDSP Blocks:

Figure 13-1. LatticeXP2 sysDSP Block



*Can only be routed to general logic routing when configured with less than three MULT18X18.

Note: Each sysDSP Block spans nine columns of PFUs.

The sysDSP Block can be configured as:

- One 36x36 Multiplier
 - Basic multiplier, no add/sub/accum/sum blocks
- Four 18x18 Multipliers
 - Two add/sub/accum blocks
 - One summation block for adding four multipliers
- Eight 9x9 Multipliers
 - Four add/sub blocks
 - Two summation blocks

Note that a sysDSP block can only be configured in one mode at a time.

sysDSP Block Software

Overview

The sysDSP Block of the LatticeXP2 device can be targeted in a number of ways.

- The IPexpress™ tool in the ispLEVER software allows the rapid creation of modules implementing sysDSP elements. These modules can then be used in HDL designs as appropriate.
- The coding of certain functions into a design's HDL and allowing the synthesis tools to Inference the use of a sysDSP block.
- The implementation of designs in The MathWorks® Simulink® tool using a Lattice block set. The ispLEVER sysDSP portion of the ispLEVER design tools will then convert these blocks into HDL as appropriate.
- Instantiation of sysDSP primitives directly in the source code

Targeting sysDSP Block Using IPexpress

IPexpress allows you to graphically specify sysDSP elements. Once the element is specified, a HDL file is generated, which can be instantiated in a design. IPexpress allows users to configure all ports and set all available parameters. The following modules target the sysDSP Block. For design examples using IPexpress, refer to EXAMPLES in the ispLEVER Software (from the Project Navigator pull down-menu, go to **File** and open **Example**). The following four types of elements can be specified via IPexpress:

- MULT (Multiplier)
- MAC (Multiplier Accumulate)
- MULTADDSUB (Multiplier Add/Subtract)
- MULTADDSUBSUM (Multiply Add/Subtract and SUM)

MULT Module

The MULT Module configures elements to be packed into the sysDSP primitives. The Basic mode screen illustrated in Figure 13-2 consists of an optional one clock, one clock enable and one reset tied to all registers. Multiple sysDSP Blocks can be spanned to accommodate large multiplications. Additional LUTs may be required if multiple sysDSP blocks are needed. Select **Area/Speed** to determine the LUT implementation. The input data format can be selected as Parallel, Shift or Dynamic. The Shift format can only be enabled if inputs are less than 18 bits. The Shift format enables a sample/shift register, which is useful in applications such as the FIR filter. The Advanced mode screen, illustrated in Figure 13-3, allows finer control over the register. In the Advanced mode, users can control each register with independent clocks, clock enables and resets. MULT inputs can be from 2 to 72 bits.

Figure 13-2. MULT Mode Basic Set-up

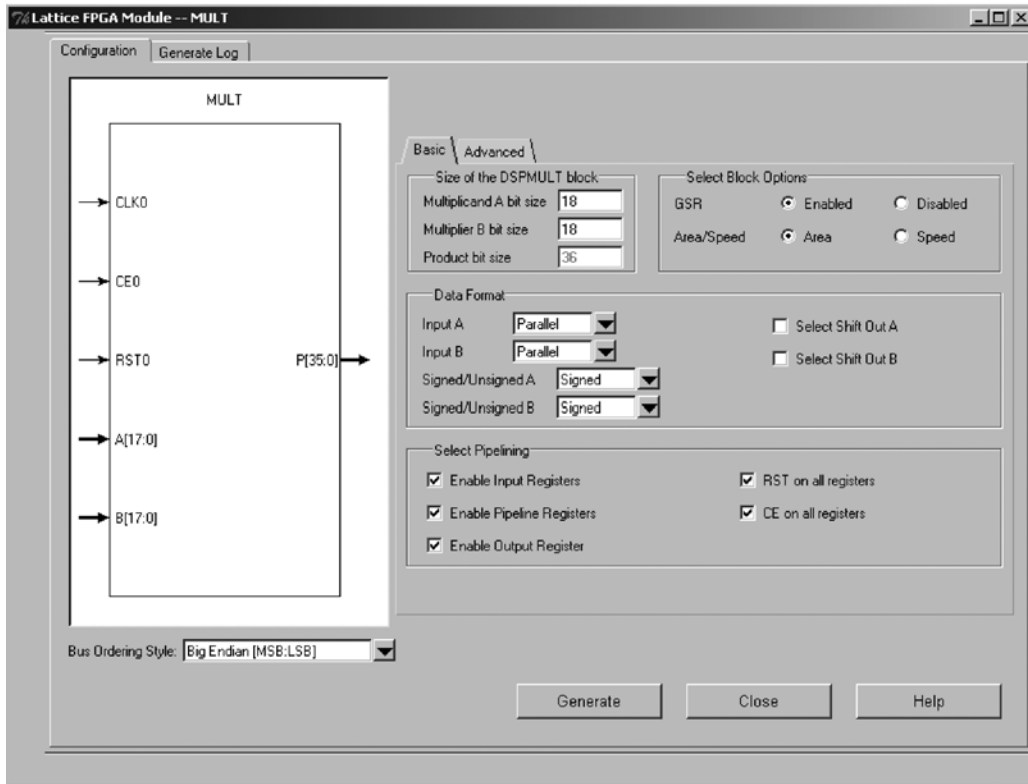
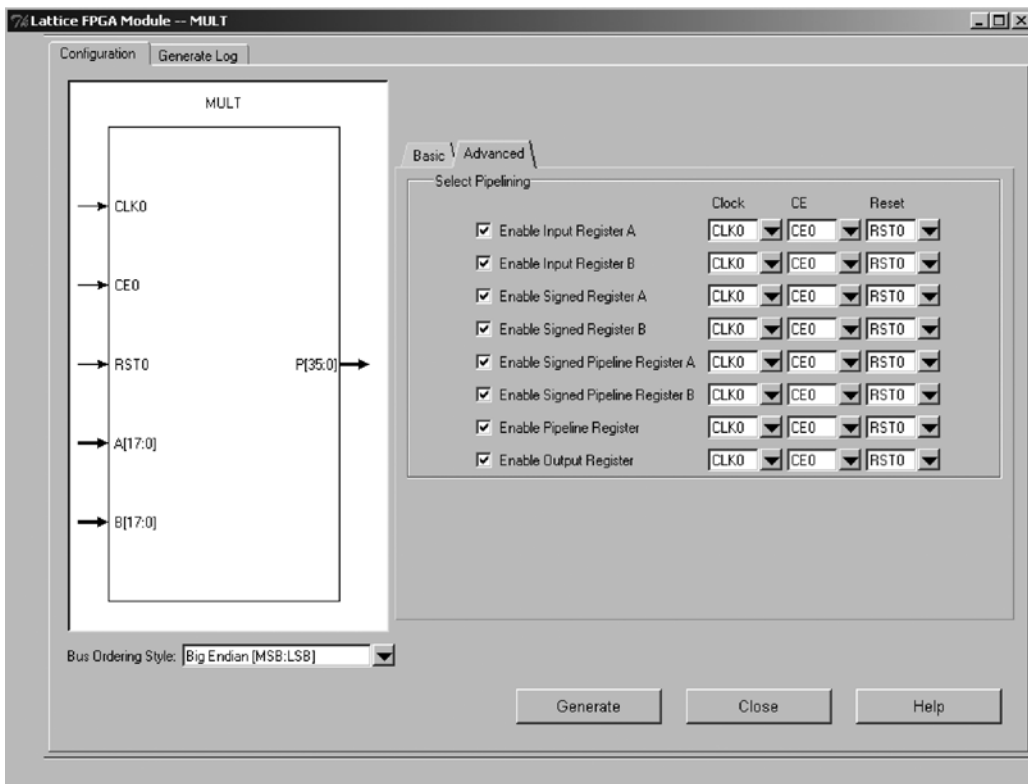


Figure 13-3. MULT Mode Advanced Set-up



MAC Module

The MAC Module configures multiply accumulate elements to be packed into the primitive MULT18X18MACB. The Basic mode, shown in Figure 13-4, consists of an optional one clock, one clock enable and one reset tied to all registers. Because of the accumulator, the output register is automatically enabled. Multiple sysDSP Blocks can be spanned to accommodate large multiplications. The accumulator of the sysDSP block is 52 bits deep and additional LUTs can be used if a larger accumulation is required. If sysDSP blocks are spanned, additional LUT logic may be required. Select **Area/Speed** to determine the LUT implementation. The input data format can be selected as Parallel, Shift or Dynamic. The Shift format can only be enabled if inputs are less than 18 bits. The Shift format enables a sample/shift register. The Accumload loads the accumulator with the value from the LD port. This is required to initialize and load the first value of the accumulation. The Advanced mode, shown in Figure 13-5, allows finer control over the registers. In the advanced mode, users can control each register with independent clocks, clock enables and resets. MAC inputs can be from 2 to 72 bits.

Figure 13-4. MAC Mode Basic Set-up

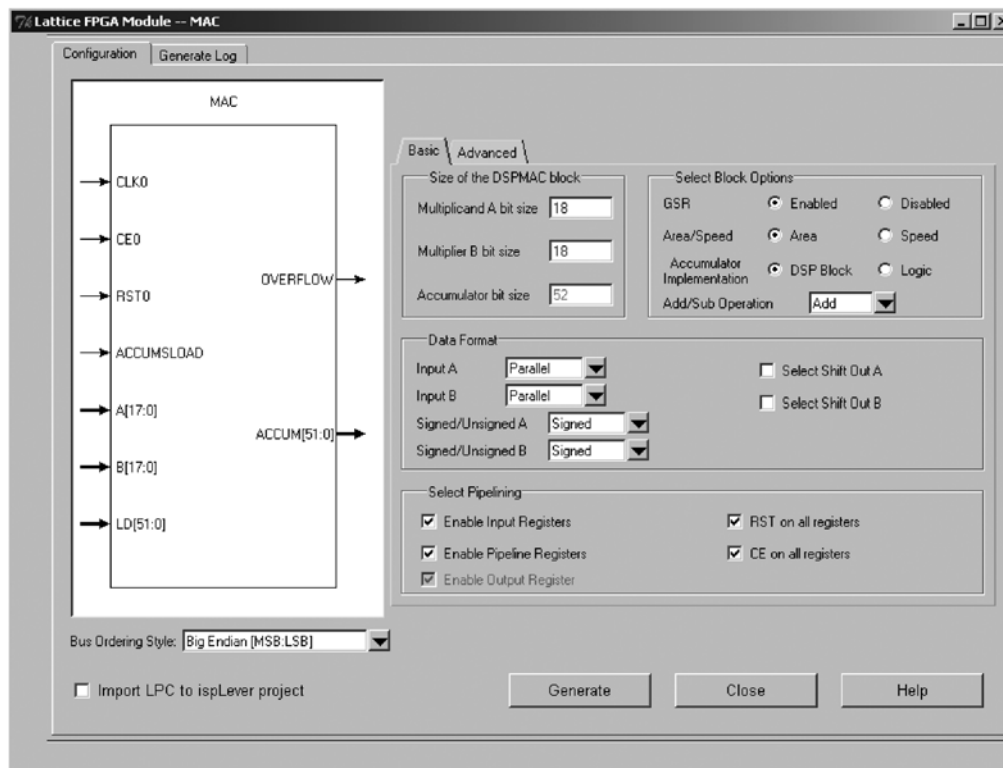
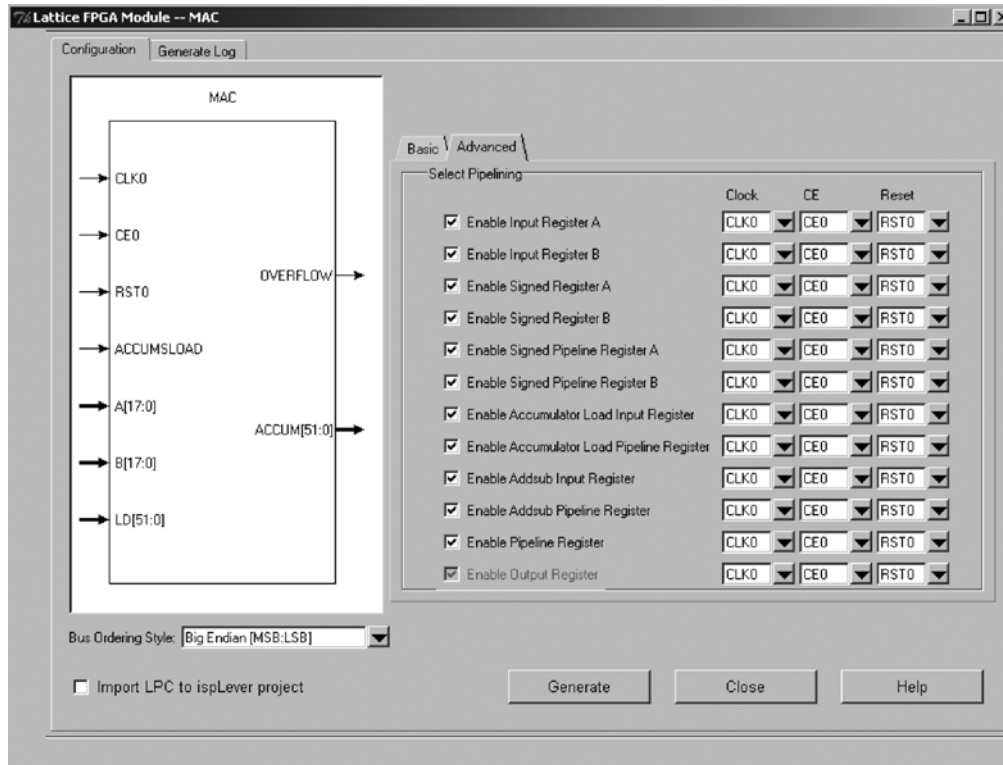


Figure 13-5. MAC Mode Advanced Set-up



MULTADDSUB Module

The MULTADDSUB GUI configures multiplier addition/subtraction elements to be packed into the primitives MULT18X18ADDSUBB or MULT9X9ADDSUBB. The Basic mode, shown in Figure 13-6, consists of an optional one clock, one clock enable and one reset tied to all registers. Multiple sysDSP Blocks can be spanned to accommodate large multiplications. If sysDSP blocks are spanned, additional LUT logic may be required. Select **Area/Speed** to determine the LUT implementation. The input data format can be selected as Parallel, Shift or Dynamic. The Shift format can only be enabled if inputs are less than 18 bits. The Shift format enables a sample/shift register, which is useful in applications such as the FIR filter. The Advanced mode, shown in Figure 13-7, provides finer control over the registers. In the advanced mode, users can control each register with independent clocks, clock enables and resets. MULTADDSUB inputs can be from 2 to 72 bits.

Figure 13-6. MULTADDSUB Mode Basic Set-up

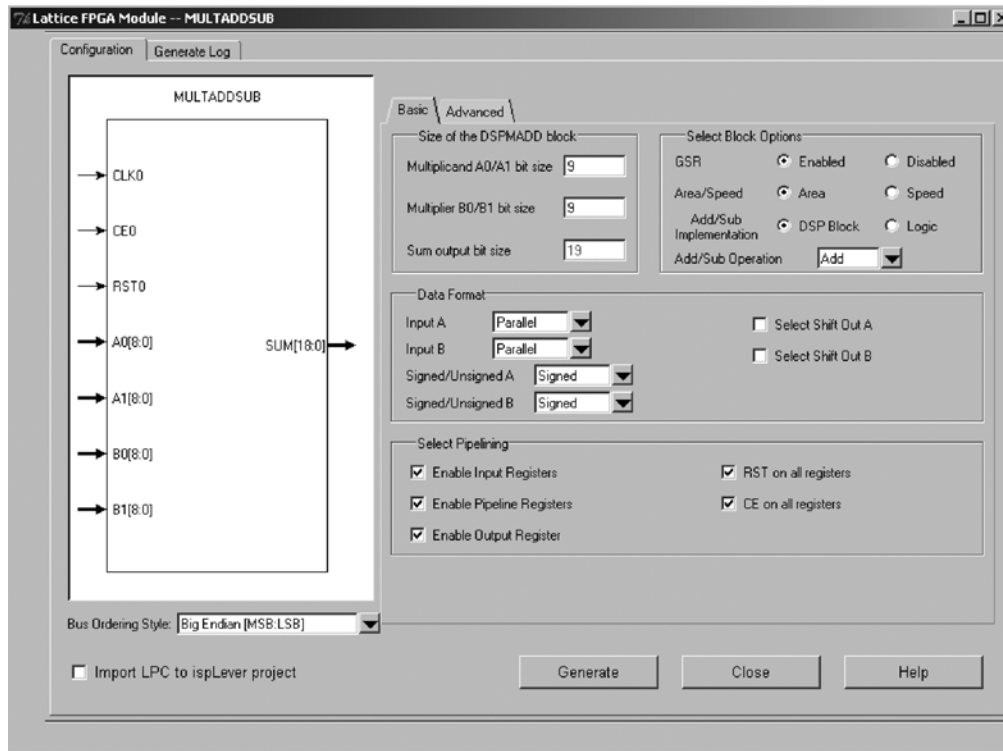
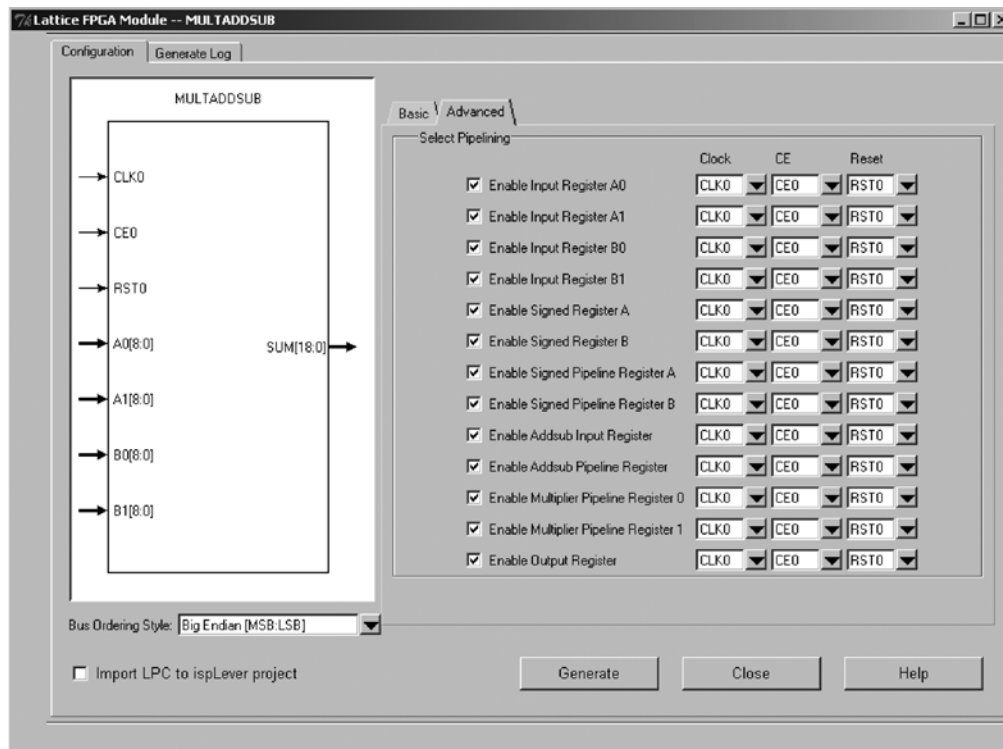


Figure 13-7. MULTADDSUB Mode Advanced Set-up



MULTADDSUBSUM Module

The MULTADDSUBSUM GUI configures Multiplier Addition/Subtraction Addition elements to be packed into the primitives MULT18X18ADDSUBSUMB or MULT9X9ADDSUBSUMB. The Basic mode, shown in Figure 13-8, consists of an optional one clock, one clock enable and one reset tied to all registers. Multiple sysDSP Blocks can be spanned to accommodate large multiplications. If sysDSP blocks are spanned, additional LUT logic may be required. Select **Area/Speed** to determine the LUT implementation. The input data format can be selected as Parallel, Shift or Dynamic. The Shift format is can only be enabled if inputs are less than 18 bits. The Shift format enables a sample/shift register, which is useful in applications such as the FIR filter. The Advanced mode, shown in Figure 13-9, provides finer control over the registers. In the advanced mode, users can control each register with independent clocks, clock enables and resets. MULTADDSUBSUM inputs can be from 2 to 72 bits.

Figure 13-8. MULTADDSUBSUM Mode Basic Set-up

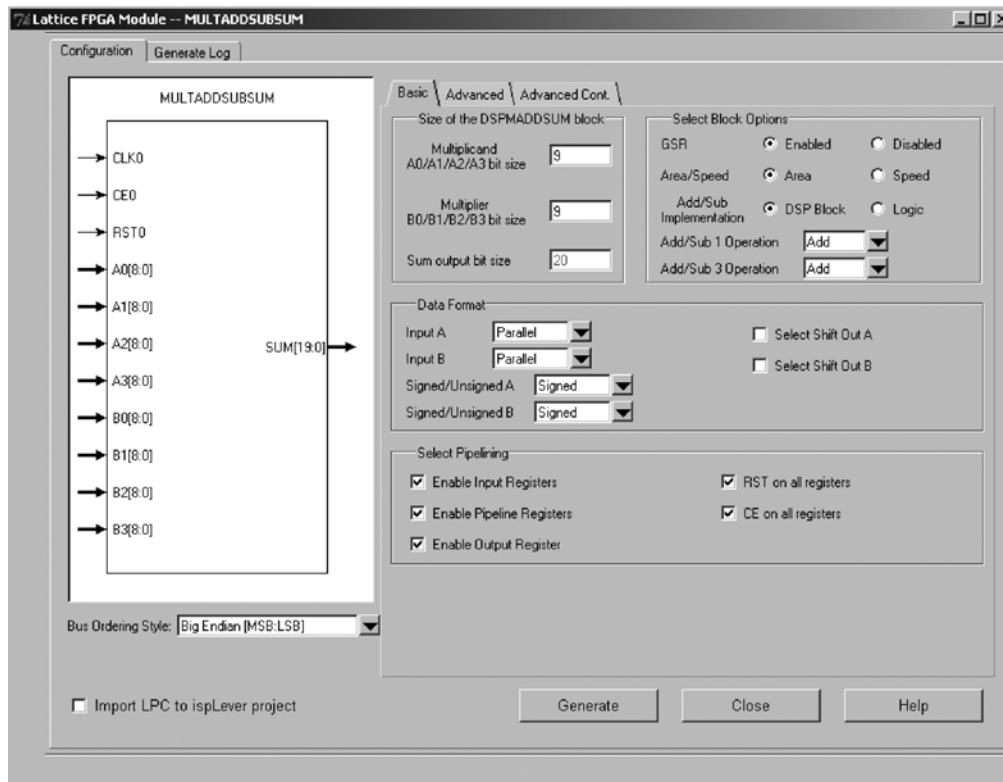


Figure 13-9. MULTADDSUBSUM Mode Advance

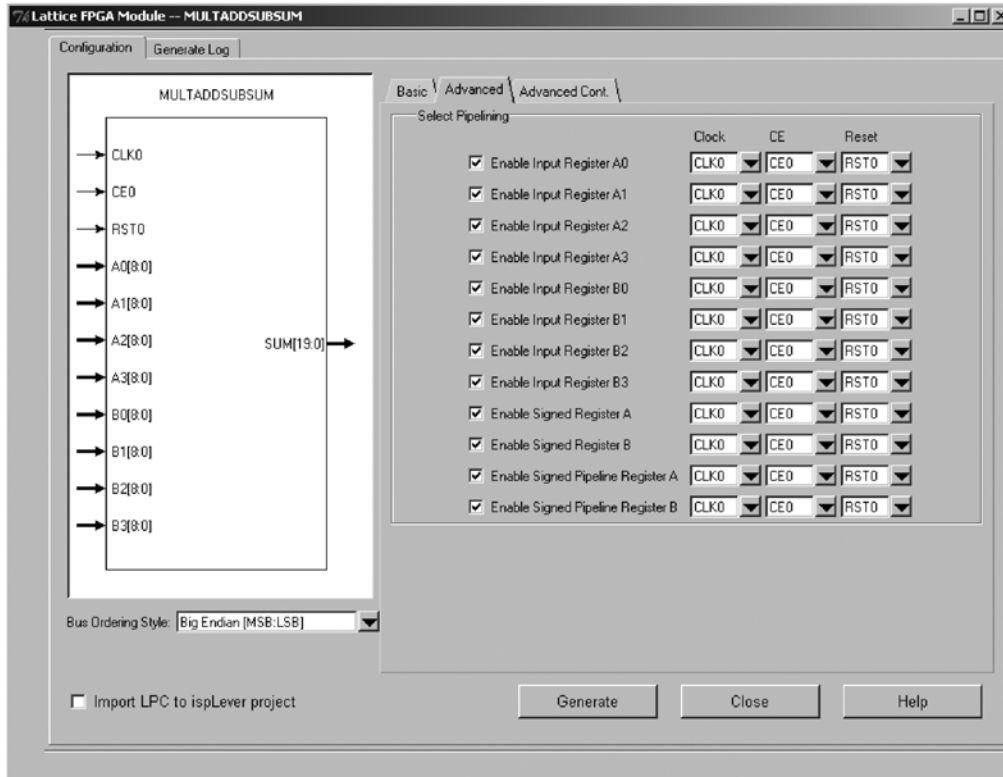
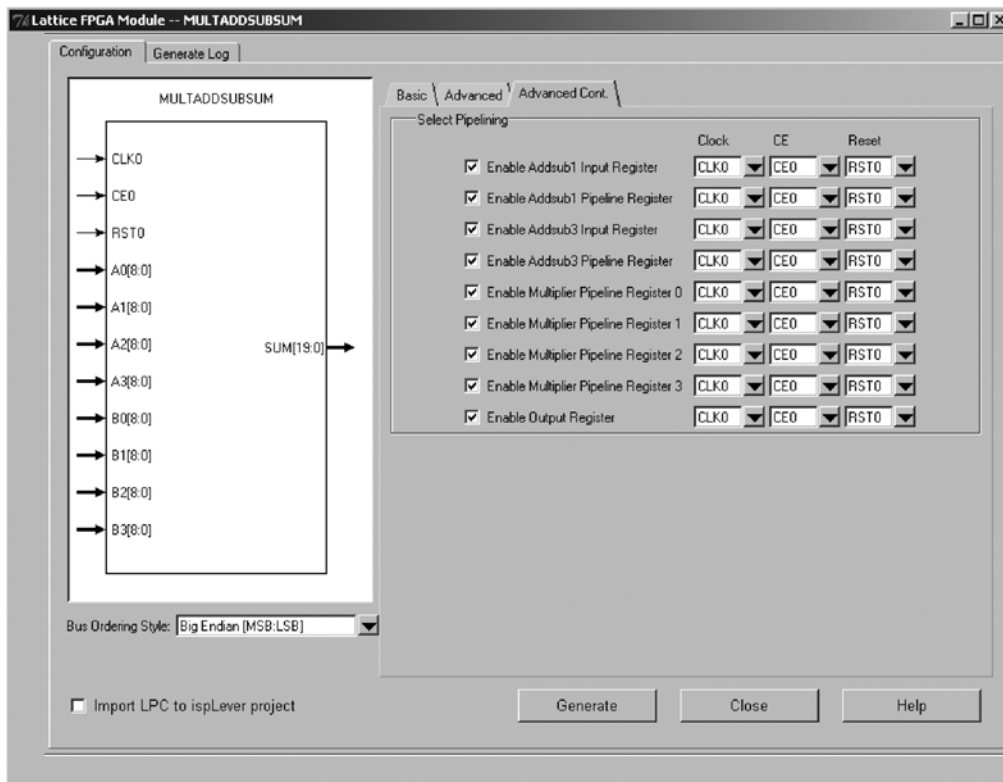


Figure 13-10. MULTADDSUBSUM Mode Advance



Targeting the sysDSP Block by Inference

The Inferencing flow enables the design tools to infer sysDSP Blocks from a HDL design. It is important to note that when using the Inferencing flow, unless the code style matches the sysDSP Block, results will not be optimal. Consider the following Verilog and VHDL examples:

```
// This Verilog example will be mapped into single MULT18X18MACB with the output register enabled
module mult_acc (dataout, dataax, dataay, clk);
    output [16:0] dataout;
    input [7:0] dataax, dataay;
    input clk;
    reg [16:0] dataout;

    wire [15:0] mult_a = dataax * dataay; // 9x9 Multiplier
    wire [16:0] adder_out;
    assign adder_out = mult_a + dataout; // Accumulator
    always @(posedge clk)
    begin
        dataout <= adder_out; // Output Register of the Accumulator
    end
endmodule
```

```
-- This VHDL example will be mapped into single MULT18X18MACB with all the registers enabled
library ieee;
use ieee.std_logic_1164.all;
use ieee.std_logic_unsigned.all;

entity mac is
    port (clk, reset : in std_logic;
          dataax, dataay : in std_logic_vector(8 downto 0);
          dataout : out std_logic_vector(17 downto 0));
end;

architecture arch of mac is
    signal dataax_reg, dataay_reg : std_logic_vector(8 downto 0);
    signal multout, multout_reg : std_logic_vector(17 downto 0);
    signal addout : std_logic_vector(17 downto 0);
    signal dataout_reg : std_logic_vector(17 downto 0);
begin

    dataout <= dataout_reg;

    process (clk, reset)
    begin
        if (reset = '1') then
            dataax_reg <= (others => '0');
            dataay_reg <= (others => '0');
        elsif (clk'event and clk='1') then
            dataax_reg <= dataax;
            dataay_reg <= dataay;
        end if;
    end process;

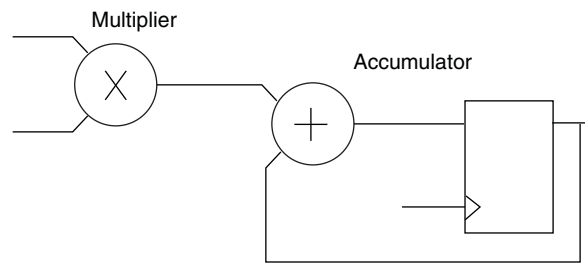
    multout <= dataax_reg * dataay_reg;

    process (clk, reset)
    begin
        if (reset = '1') then
            multout_reg <= (others => '0');
        elsif (clk'event and clk='1') then
            multout_reg <= multout;
        end if;
    end process;
end arch;
```

```
end process;  
  
addout <= multout_reg + dataout_reg;  
  
process (clk, reset)  
begin  
if (reset = '1') then  
    dataout_reg <= (others => '0');  
elsif (clk'event and clk='1') then  
    dataout_reg <= addout;  
end if;  
end process;  
end arch;
```

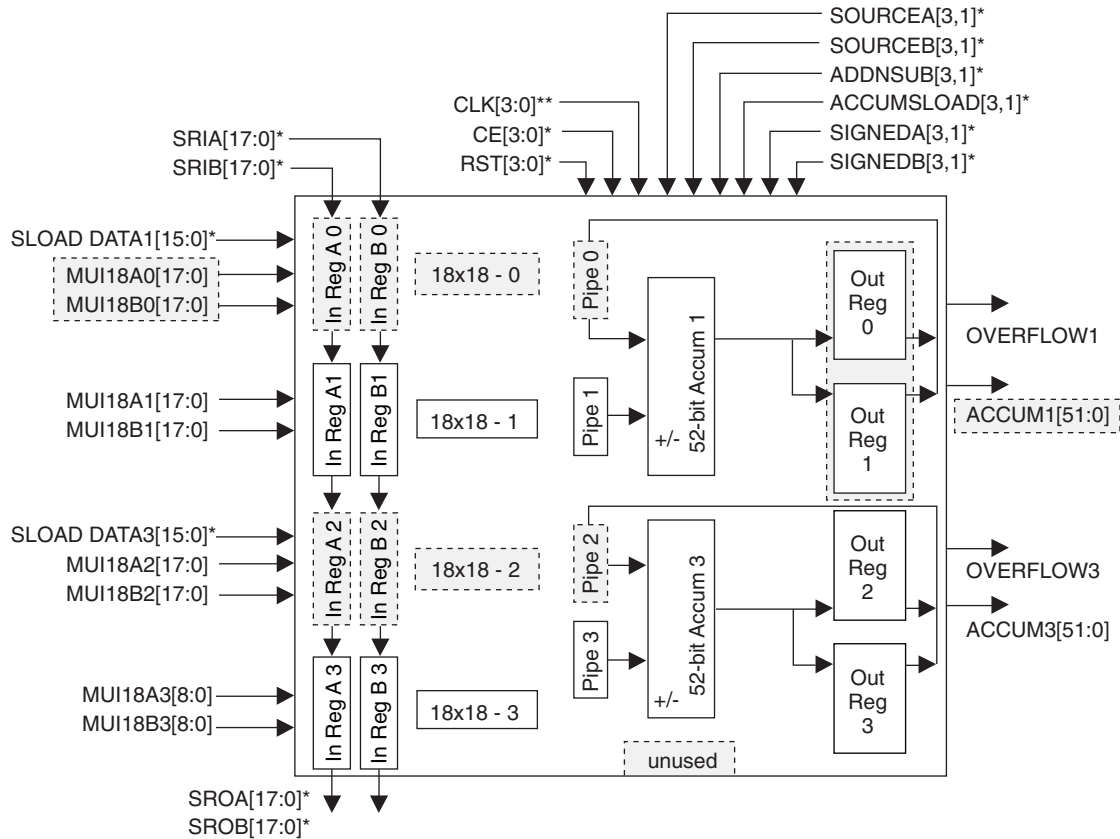
The above RTL will infer the following block diagram:

Figure 13-11. MULT18X18MACB Block Diagram



This block diagram can be mapped directly into the sysDSP primitives. Note that if a test point were added between the multiplier and the accumulator, or two output registers, etc. the code could not be mapped into a MULT18X18MACB of a sysDSP Block. Therefore, options that could be included in a design are input registers, pipeline registers, etc. For more Inferring design examples refer to EXAMPLES in the ispLEVER software.

Figure 13-12. MAC18X18MACB Packed into a sysDSP Block



Notes:
 *These signals are optional.
 **At least one clock is required.

sysDSP Blocks in the Report File

To check the configuration of the sysDSP Blocks in your design you can look at the MAP and Post PAR report files. The MAP report file shows the mapped sysDSP components/primitives in your design. The Post PAR report file shows the number of components in each sysDSP Block. The report files that follow show how the inferred MAC was used.

MAP Report File

```
. MULT18X18MACB addout_17_0:
```

Multiplier

Operation	Unsigned		
Operation Registers	CLK	CE	RST

Input			
Pipeline			
Operation Registers	CLK	CE	RST

Input			
Pipeline			

```

AddSub
  Operation
  Operation Registers      Add
                          CLK   CE   RST
  -----
      Input
      Pipeline
Data
  Input Registers          CLK   CE   RST
  -----
      A                    CLK0  CE0  RST0
      B                    CLK0  CE0  RST0
  Pipeline Registers      CLK   CE   RST
  -----
      Pipe                 CLK0  CE0  RST0
  Output Register         CLK   CE   RST
  -----
      Output               CLK0  CE0  RST0

Other
  GSR      ENABLED
Number Of Mapped DSP Components:
-----
MULT36X36B      0
MULT18X18B      0
MULT18X18MACB   1
MULT18X18ADDSUBB 0
MULT18X18ADDSUBSUMB 0
MULT9X9B        0
MULT9X9ADDSUBB  0
MULT9X9ADDSUBSUMB 0
-----
    
```

Post PAR Report File

```

DSP Utilization Summary:
DSP Block #: 1   2   3   4   5   6   7   8   9   10  11  12  13  14  15  16  17  18
# of MULT36X36B
# of MULT18X18B
# of MULT18X18MACB
# of MULT18X18ADDSUBB
# of MULT18X18ADDSUBSUMB
# of MULT9X9B
# of MULT9X9ADDSUBB
# of MULT9X9ADDSUBSUMB
DSP Block 1   Component_Type      Instance_Name
DSP Block 2   Component_Type      Instance_Name
DSP Block 3   Component_Type      Instance_Name
DSP Block 4   Component_Type      Instance_Name
DSP Block 5   Component_Type      Instance_Name
DSP Block 6   Component_Type      Instance_Name
DSP Block 7   Component_Type      Instance_Name
DSP Block 8   Component_Type      Instance_Name
DSP Block 9   Component_Type      Instance_Name
R45C81      MULT18X18MACB      addout_17_0
DSP Block 10  Component_Type      Instance_Name
DSP Block 11  Component_Type      Instance_Name
DSP Block 12  Component_Type      Instance_Name
DSP Block 13  Component_Type      Instance_Name
DSP Block 14  Component_Type      Instance_Name
DSP Block 15  Component_Type      Instance_Name
DSP Block 16  Component_Type      Instance_Name
DSP Block 17  Component_Type      Instance_Name
DSP Block 18  Component_Type      Instance_Name
    
```

Targeting the sysDSP Block Using Simulink

Simulink Overview

Simulink is a graphical add-on (similar to schematic entry) for Matlab®, which is produced by The MathWorks. For more information, refer to the Simulink web page at www.mathworks.com/products/simulink/.

Why is Simulink used?

- It allows users to create algorithms using floating point numbers.
- It helps users convert floating point algorithms into fixed point algorithms.

How does Simulink fit into the normal ispLEVER design flow?

- Once you have converted have your algorithm working in fixed point. You can use the Lattice ispDSP Block to create HDL files, which can be instantiated in your HDL design. Currently there is only support for VHDL.

What does Lattice provide?

- Lattice provides a library of blocks for the Simulink tool, which include Multipliers, Adders, Registers, and other standard building blocks. Besides the basic building blocks there are a couple of unique Lattice blocks:

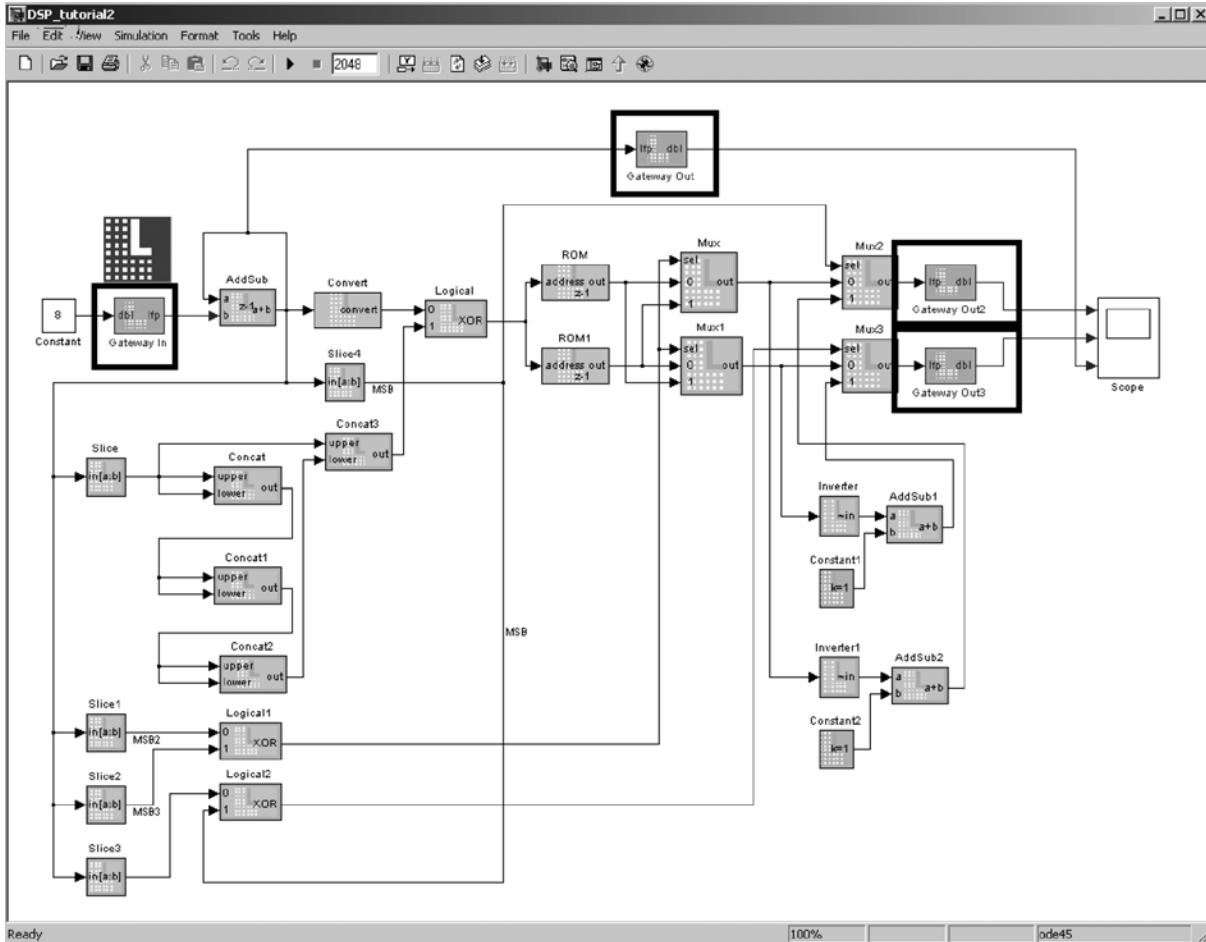
Gateways In and Out

Everything between Gateways In and Out represents the HDL code. Everything before a Gateway In is the stimulus your test bench. Everything after the Gateway Out are the signals you will be monitoring in the test bench. Below is an example. The box on the left contains Gateways In's and the three boxes on the right contain Gateway Outs in Figure 13-13.

Generate

The Generate block is used to convert Fixed point Simulink design into HDL files which can be instantiated in a HDL design. The Generate Block is identified by the Lattice logo and can be seen in Figure 13-13.

Figure 13-13. Simulink Design



Targeting the sysDSP Block by Instantiating Primitives

The sysDSP Block can be targeted by instantiating the sysDSP Block primitives into the design. The advantage of instantiating primitives is that it provides access to all ports and sets all available parameters. The disadvantage of this flow is that all this customization requires extra coding by the user. Appendix A details the syntax for the sysDSP Block primitives.

sysDSP Block Control Signal and Data Signal Descriptions

RST	Asynchronous reset of selected registers
SIGNEDA	Dynamic signal: 0 = unsigned, 1 = signed
SIGNEDB	Dynamic signal: 0 = unsigned, 1 = signed
ACCUMSLOAD	Dynamic signal: 0 = accumulate, 1 = load
ADDNSUB	Dynamic signal: 0 = subtract, 1 = add
SOURCEA	Dynamic signal: 0 = parallel input, 1 = shift input
SOURCEB	Dynamic signal: 0 = parallel input, 1 = shift input

Technical Support Assistance

Hotline: 1-800-LATTICE (North America)
 +1-503-268-8001 (Outside North America)
 e-mail: techsupport@latticesemi.com
 Internet: www.latticesemi.com

Revision History

Date	Version	Change Summary
February 2007	01.0	Initial release.

Appendix A. DSP Block Primitives

MULT18X18B

```

input A17,A16,A15,A14,A13,A12,A11,A10,A9,A8,A7,A6,A5,A4,A3,A2,A1,A0;
input B17,B16,B15,B14,B13,B12,B11,B10,B9,B8,B7,B6,B5,B4,B3,B2,B1,B0;
input SIGNEDA, SIGNEDB, SOURCEA, SOURCEB;
input CE0,CE1,CE2,CE3,CLK0,CLK1,CLK2,CLK3,RST0,RST1,RST2,RST3;
input SRIA17,SRIA16,SRIA15,SRIA14,SRIA13,SRIA12,SRIA11,SRIA10,SRIA9;
input SRIA8,SRIA7,SRIA6,SRIA5,SRIA4,SRIA3,SRIA2,SRIA1,SRIA0;
input SRIB17,SRIB16,SRIB15,SRIB14,SRIB13,SRIB12,SRIB11,SRIB10,SRIB9;
input SRIB8,SRIB7,SRIB6,SRIB5,SRIB4,SRIB3,SRIB2,SRIB1,SRIB0;
output SROA17,SROA16,SROA15,SROA14,SROA13,SROA12,SROA11,SROA10,SROA9;
output SROA8,SROA7,SROA6,SROA5,SROA4,SROA3,SROA2,SROA1,SROA0;
output SROB17,SROB16,SROB15,SROB14,SROB13,SROB12,SROB11,SROB10,SROB9;
output SROB8,SROB7,SROB6,SROB5,SROB4,SROB3,SROB2,SROB1,SROB0;
output P35,P34,P33,P32,P31,P30,P29,P28,P27,P26,P25,P24,P23,P22,P21,P20,P19,P18;
output P17,P16,P15,P14,P13,P12,P11,P10,P9,P8,P7,P6,P5,P4,P3,P2,P1,P0;
parameter REG_INPUTA_CLK = " NONE, CLK0, CLK1, CLK2, CLK3 ";
parameter REG_INPUTA_CE = " CE0, CE1, CE2, CE3 ";
parameter REG_INPUTA_RST = " RST0, RST1, RST2, RST3 ";
parameter REG_INPUTB_CLK = " NONE, CLK0, CLK1, CLK2, CLK3 ";
parameter REG_INPUTB_CE = " CE0, CE1, CE2, CE3 ";
parameter REG_INPUTB_RST = " RST0, RST1, RST2, RST3 ";
parameter REG_PIPELINE_CLK = " NONE, CLK0, CLK1, CLK2, CLK3 ";
parameter REG_PIPELINE_CE = " CE0, CE1, CE2, CE3 ";
parameter REG_PIPELINE_RST = " RST0, RST1, RST2, RST3 ";
parameter REG_OUTPUT_CLK = " NONE, CLK0, CLK1, CLK2, CLK3 ";
parameter REG_OUTPUT_CE = " CE0, CE1, CE2, CE3 ";
parameter REG_OUTPUT_RST = " RST0, RST1, RST2, RST3 ";
parameter REG_SIGNEDA_CLK = " NONE, CLK0, CLK1, CLK2, CLK3 ";
parameter REG_SIGNEDA_CE = " CE0, CE1, CE2, CE3 ";
parameter REG_SIGNEDA_RST = " RST0, RST1, RST2, RST3 ";
parameter REG_SIGNEDB_CLK = " NONE, CLK0, CLK1, CLK2, CLK3 ";
parameter REG_SIGNEDB_CE = " CE0, CE1, CE2, CE3 ";
parameter REG_SIGNEDB_RST = " RST0, RST1, RST2, RST3 ";
parameter GSR = " Enabled, Disabled ";

```

MULT18X18ADDSUBB

```

input A017,A016,A015,A014,A013,A012,A011,A010,A09;
input A08,A07,A06,A05,A04,A03,A02,A01,A00;
input A117,A116,A115,A114,A113,A112,A111,A110,A19;
input A18,A17,A16,A15,A14,A13,A12,A11,A10;
input B017,B016,B015,B014,B013,B012,B011,B010,B09;
input B08,B07,B06,B05,B04,B03,B02,B01,B00;
input B117,B116,B115,B114,B113,B112,B111,B110,B19;
input B18,B17,B16,B15,B14,B13,B12,B11,B10;
input SIGNEDA, SIGNEDB, SOURCEA0, SOURCEA1, SOURCEB0, SOURCEB1, ADDNSUB;
input CE0,CE1,CE2,CE3,CLK0,CLK1,CLK2,CLK3,RST0,RST1,RST2,RST3;
input SRIA17,SRIA16,SRIA15,SRIA14,SRIA13,SRIA12,SRIA11,SRIA10,SRIA9;
input SRIA8,SRIA7,SRIA6,SRIA5,SRIA4,SRIA3,SRIA2,SRIA1,SRIA0;
input SRIB17,SRIB16,SRIB15,SRIB14,SRIB13,SRIB12,SRIB11,SRIB10,SRIB9;
input SRIB8,SRIB7,SRIB6,SRIB5,SRIB4,SRIB3,SRIB2,SRIB1,SRIB0;
output SROA17,SROA16,SROA15,SROA14,SROA13,SROA12,SROA11,SROA10,SROA9;
output SROA8,SROA7,SROA6,SROA5,SROA4,SROA3,SROA2,SROA1,SROA0;
output SROB17,SROB16,SROB15,SROB14,SROB13,SROB12,SROB11,SROB10,SROB9;
output SROB8,SROB7,SROB6,SROB5,SROB4,SROB3,SROB2,SROB1,SROB0;
output
SUM36,SUM35,SUM34,SUM33,SUM32,SUM31,SUM30,SUM29,SUM28,SUM27,SUM26,SUM25,SUM24,SUM23,SUM22,SUM21,SU
M20,SUM19,SUM18,SUM17,SUM16,SUM15,SUM14,SUM13,SUM12,SUM11,SUM10,SUM9,SUM8,SUM7,SUM6,SUM5,SUM4,SUM3
,SUM2,SUM1,SUM0;

```

```

parameter REG_INPUTA0_CLK = " NONE, CLK0, CLK1, CLK2, CLK3 ";
parameter REG_INPUTA0_CE = " CE0, CE1, CE2, CE3 ";
parameter REG_INPUTA0_RST = " RST0, RST1, RST2, RST3 ";
parameter REG_INPUTA1_CLK = " NONE, CLK0, CLK1, CLK2, CLK3 ";
parameter REG_INPUTA1_CE = " CE0, CE1, CE2, CE3 ";
parameter REG_INPUTA1_RST = " RST0, RST1, RST2, RST3 ";
parameter REG_INPUTB0_CLK = " NONE, CLK0, CLK1, CLK2, CLK3 ";
parameter REG_INPUTB0_CE = " CE0, CE1, CE2, CE3 ";
parameter REG_INPUTB0_RST = " RST0, RST1, RST2, RST3 ";
parameter REG_INPUTB1_CLK = " NONE, CLK0, CLK1, CLK2, CLK3 ";
parameter REG_INPUTB1_CE = " CE0, CE1, CE2, CE3 ";
parameter REG_INPUTB1_RST = " RST0, RST1, RST2, RST3 ";
parameter REG_PIPELINE0_CLK = " NONE, CLK0, CLK1, CLK2, CLK3 ";
parameter REG_PIPELINE0_CE = " CE0, CE1, CE2, CE3 ";
parameter REG_PIPELINE0_RST = " RST0, RST1, RST2, RST3 ";
parameter REG_PIPELINE1_CLK = " NONE, CLK0, CLK1, CLK2, CLK3 ";
parameter REG_PIPELINE1_CE = " CE0, CE1, CE2, CE3 ";
parameter REG_PIPELINE1_RST = " RST0, RST1, RST2, RST3 ";
parameter REG_OUTPUT_CLK = " NONE, CLK0, CLK1, CLK2, CLK3 ";
parameter REG_OUTPUT_CE = " CE0, CE1, CE2, CE3 ";
parameter REG_OUTPUT_RST = " RST0, RST1, RST2, RST3 ";
parameter REG_SIGNEDA_0_CLK = " NONE, CLK0, CLK1, CLK2, CLK3 ";
parameter REG_SIGNEDA_0_CE = " CE0, CE1, CE2, CE3 ";
parameter REG_SIGNEDA_0_RST = " RST0, RST1, RST2, RST3 ";
parameter REG_SIGNEDA_1_CLK = " NONE, CLK0, CLK1, CLK2, CLK3 ";
parameter REG_SIGNEDA_1_CE = " CE0, CE1, CE2, CE3 ";
parameter REG_SIGNEDA_1_RST = " RST0, RST1, RST2, RST3 ";
parameter REG_SIGNEDB_0_CLK = " NONE, CLK0, CLK1, CLK2, CLK3 ";
parameter REG_SIGNEDB_0_CE = " CE0, CE1, CE2, CE3 ";
parameter REG_SIGNEDB_0_RST = " RST0, RST1, RST2, RST3 ";
parameter REG_SIGNEDB_1_CLK = " NONE, CLK0, CLK1, CLK2, CLK3 ";
parameter REG_SIGNEDB_1_CE = " CE0, CE1, CE2, CE3 ";
parameter REG_SIGNEDB_1_RST = " RST0, RST1, RST2, RST3 ";
parameter REG_ADDNSUB_0_CLK = " NONE, CLK0, CLK1, CLK2, CLK3 ";
parameter REG_ADDNSUB_0_CE = " CE0, CE1, CE2, CE3 ";
parameter REG_ADDNSUB_0_RST = " RST0, RST1, RST2, RST3 ";
parameter REG_ADDNSUB_1_CLK = " NONE, CLK0, CLK1, CLK2, CLK3 ";
parameter REG_ADDNSUB_1_CE = " CE0, CE1, CE2, CE3 ";
parameter REG_ADDNSUB_1_RST = " RST0, RST1, RST2, RST3 ";
parameter GSR = " Enabled, Disabled ";

```

MULT18X18ADDSUBSUBM

```

input A017,A016,A015,A014,A013,A012,A011,A010,A09;
input A08,A07,A06,A05,A04,A03,A02,A01,A00;
input A117,A116,A115,A114,A113,A112,A111,A110,A19;
input A18,A17,A16,A15,A14,A13,A12,A11,A10;
input A217,A216,A215,A214,A213,A212,A211,A210,A29;
input A28,A27,A26,A25,A24,A23,A22,A21,A20;
input A317,A316,A315,A314,A313,A312,A311,A310,A39;
input A38,A37,A36,A35,A34,A33,A32,A31,A30;
input B017,B016,B015,B014,B013,B012,B011,B010,B09;
input B08,B07,B06,B05,B04,B03,B02,B01,B00;
input B117,B116,B115,B114,B113,B112,B111,B110,B19;
input B18,B17,B16,B15,B14,B13,B12,B11,B10;
input B217,B216,B215,B214,B213,B212,B211,B210,B29;
input B28,B27,B26,B25,B24,B23,B22,B21,B20;
input B317,B316,B315,B314,B313,B312,B311,B310,B39;
input B38,B37,B36,B35,B34,B33,B32,B31,B30;
input SIGNEDA, SIGNEDB, ADDNSUB1, ADDNSUB3;
input SOURCEA0, SOURCEA1, SOURCEA2, SOURCEA3;
input SOURCEB0, SOURCEB1, SOURCEB2, SOURCEB3;

```

```

input CE0,CE1,CE2,CE3,CLK0,CLK1,CLK2,CLK3,RST0,RST1,RST2,RST3;
input SRIA17,SRIA16,SRIA15,SRIA14,SRIA13,SRIA12,SRIA11,SRIA10,SRIA9;
input SRIA8,SRIA7,SRIA6,SRIA5,SRIA4,SRIA3,SRIA2,SRIA1,SRIA0;
input SRIB17,SRIB16,SRIB15,SRIB14,SRIB13,SRIB12,SRIB11,SRIB10,SRIB9;
input SRIB8,SRIB7,SRIB6,SRIB5,SRIB4,SRIB3,SRIB2,SRIB1,SRIB0;
output SROA17,SROA16,SROA15,SROA14,SROA13,SROA12,SROA11,SROA10,SROA9;
output SROA8,SROA7,SROA6,SROA5,SROA4,SROA3,SROA2,SROA1,SROA0;
output SROB17,SROB16,SROB15,SROB14,SROB13,SROB12,SROB11,SROB10,SROB9;
output SROB8,SROB7,SROB6,SROB5,SROB4,SROB3,SROB2,SROB1,SROB0;
output
SUM37,SUM36,SUM35,SUM34,SUM33,SUM32,SUM31,SUM30,SUM29,SUM28,SUM27,SUM26,SUM25,SUM24,SUM23,SUM22,SU
M21,SUM20,SUM19,SUM18,SUM17,SUM16,SUM15,SUM14,SUM13,SUM12,SUM11,SUM10,SUM9,SUM8,SUM7,SUM6,SUM5,SUM
4,SUM3,SUM2,SUM1,SUM0;
parameter REG_INPUTA0_CLK = " NONE, CLK0, CLK1, CLK2, CLK3 ";
parameter REG_INPUTA0_CE = " CE0, CE1, CE2, CE3 ";
parameter REG_INPUTA0_RST = " RST0, RST1, RST2, RST3 ";
parameter REG_INPUTA1_CLK = " NONE, CLK0, CLK1, CLK2, CLK3 ";
parameter REG_INPUTA1_CE = " CE0, CE1, CE2, CE3 ";
parameter REG_INPUTA1_RST = " RST0, RST1, RST2, RST3 ";
parameter REG_INPUTA2_CLK = " NONE, CLK0, CLK1, CLK2, CLK3 ";
parameter REG_INPUTA2_CE = " CE0, CE1, CE2, CE3 ";
parameter REG_INPUTA2_RST = " RST0, RST1, RST2, RST3 ";
parameter REG_INPUTA3_CLK = " NONE, CLK0, CLK1, CLK2, CLK3 ";
parameter REG_INPUTA3_CE = " CE0, CE1, CE2, CE3 ";
parameter REG_INPUTA3_RST = " RST0, RST1, RST2, RST3 ";
parameter REG_INPUTB0_CLK = " NONE, CLK0, CLK1, CLK2, CLK3 ";
parameter REG_INPUTB0_CE = " CE0, CE1, CE2, CE3 ";
parameter REG_INPUTB0_RST = " RST0, RST1, RST2, RST3 ";
parameter REG_INPUTB1_CLK = " NONE, CLK0, CLK1, CLK2, CLK3 ";
parameter REG_INPUTB1_CE = " CE0, CE1, CE2, CE3 ";
parameter REG_INPUTB1_RST = " RST0, RST1, RST2, RST3 ";
parameter REG_INPUTB2_CLK = " NONE, CLK0, CLK1, CLK2, CLK3 ";
parameter REG_INPUTB2_CE = " CE0, CE1, CE2, CE3 ";
parameter REG_INPUTB2_RST = " RST0, RST1, RST2, RST3 ";
parameter REG_INPUTB3_CLK = " NONE, CLK0, CLK1, CLK2, CLK3 ";
parameter REG_INPUTB3_CE = " CE0, CE1, CE2, CE3 ";
parameter REG_INPUTB3_RST = " RST0, RST1, RST2, RST3 ";
parameter REG_PIPELINE0_CLK = " NONE, CLK0, CLK1, CLK2, CLK3 ";
parameter REG_PIPELINE0_CE = " CE0, CE1, CE2, CE3 ";
parameter REG_PIPELINE0_RST = " RST0, RST1, RST2, RST3 ";
parameter REG_PIPELINE1_CLK = " NONE, CLK0, CLK1, CLK2, CLK3 ";
parameter REG_PIPELINE1_CE = " CE0, CE1, CE2, CE3 ";
parameter REG_PIPELINE1_RST = " RST0, RST1, RST2, RST3 ";
parameter REG_PIPELINE2_CLK = " NONE, CLK0, CLK1, CLK2, CLK3 ";
parameter REG_PIPELINE2_CE = " CE0, CE1, CE2, CE3 ";
parameter REG_PIPELINE2_RST = " RST0, RST1, RST2, RST3 ";
parameter REG_PIPELINE3_CLK = " NONE, CLK0, CLK1, CLK2, CLK3 ";
parameter REG_PIPELINE3_CE = " CE0, CE1, CE2, CE3 ";
parameter REG_PIPELINE3_RST = " RST0, RST1, RST2, RST3 ";
parameter REG_OUTPUT_CLK = " NONE, CLK0, CLK1, CLK2, CLK3 ";
parameter REG_OUTPUT_CE = " CE0, CE1, CE2, CE3 ";
parameter REG_OUTPUT_RST = " RST0, RST1, RST2, RST3 ";
parameter REG_SIGNEDA_0_CLK = " NONE, CLK0, CLK1, CLK2, CLK3 ";
parameter REG_SIGNEDA_0_CE = " CE0, CE1, CE2, CE3 ";
parameter REG_SIGNEDA_0_RST = " RST0, RST1, RST2, RST3 ";
parameter REG_SIGNEDA_1_CLK = " NONE, CLK0, CLK1, CLK2, CLK3 ";
parameter REG_SIGNEDA_1_CE = " CE0, CE1, CE2, CE3 ";
parameter REG_SIGNEDA_1_RST = " RST0, RST1, RST2, RST3 ";
parameter REG_SIGNEDB_0_CLK = " NONE, CLK0, CLK1, CLK2, CLK3 ";
parameter REG_SIGNEDB_0_CE = " CE0, CE1, CE2, CE3 ";
parameter REG_SIGNEDB_0_RST = " RST0, RST1, RST2, RST3 ";

```

```

parameter REG_SIGNEDB_1_CLK = " NONE, CLK0, CLK1, CLK2, CLK3 ";
parameter REG_SIGNEDB_1_CE = " CE0, CE1, CE2, CE3 ";
parameter REG_SIGNEDB_1_RST = " RST0, RST1, RST2, RST3 ";
parameter REG_ADDNSUB1_0_CLK = " NONE, CLK0, CLK1, CLK2, CLK3 ";
parameter REG_ADDNSUB1_0_CE = " CE0, CE1, CE2, CE3 ";
parameter REG_ADDNSUB1_0_RST = " RST0, RST1, RST2, RST3 ";
parameter REG_ADDNSUB1_1_CLK = " NONE, CLK0, CLK1, CLK2, CLK3 ";
parameter REG_ADDNSUB1_1_CE = " CE0, CE1, CE2, CE3 ";
parameter REG_ADDNSUB1_1_RST = " RST0, RST1, RST2, RST3 ";
parameter REG_ADDNSUB3_0_CLK = " NONE, CLK0, CLK1, CLK2, CLK3 ";
parameter REG_ADDNSUB3_0_CE = " CE0, CE1, CE2, CE3 ";
parameter REG_ADDNSUB3_0_RST = " RST0, RST1, RST2, RST3 ";
parameter REG_ADDNSUB3_1_CLK = " NONE, CLK0, CLK1, CLK2, CLK3 ";
parameter REG_ADDNSUB3_1_CE = " CE0, CE1, CE2, CE3 ";
parameter REG_ADDNSUB3_1_RST = " RST0, RST1, RST2, RST3 ";
parameter GSR = " Enabled, Disabled ";

```

MULT18X18MACB

```

input A17,A16,A15,A14,A13,A12,A11,A10,A9;
input A8,A7,A6,A5,A4,A3,A2,A1,A0;
input B17,B16,B15,B14,B13,B12,B11,B10,B9;
input B8,B7,B6,B5,B4,B3,B2,B1,B0;
input ADDNSUB, SIGNEDA, SIGNEDB,ACCUMSLOAD;
input SOURCEA, SOURCEB;
input CE0,CE1,CE2,CE3,CLK0,CLK1,CLK2,CLK3,RST0,RST1,RST2,RST3;
input LD51, LD50, LD49, LD48, LD47, LD46, LD45, LD44, LD43, LD42, LD41, LD40
input LD39, LD38, LD37, LD36, LD35, LD34, LD33, LD32, LD31, LD30
input LD29, LD28, LD27, LD26, LD25, LD24, LD23, LD22, LD21, LD20
input LD19, LD18, LD17, LD16, LD15, LD14, LD13, LD12, LD11, LD10
input LD9, LD8, LD7, LD6, LD5, LD4, LD3, LD2, LD1, LD0;
input SRIA17,SRIA16,SRIA15,SRIA14,SRIA13,SRIA12,SRIA11,SRIA10,SRIA9;
input SRIA8,SRIA7,SRIA6,SRIA5,SRIA4,SRIA3,SRIA2,SRIA1,SRIA0;
input SRIB17,SRIB16,SRIB15,SRIB14,SRIB13,SRIB12,SRIB11,SRIB10,SRIB9;
input SRIB8,SRIB7,SRIB6,SRIB5,SRIB4,SRIB3,SRIB2,SRIB1,SRIB0;
output SROA17,SROA16,SROA15,SROA14,SROA13,SROA12,SROA11,SROA10,SROA9;
output SROA8,SROA7,SROA6,SROA5,SROA4,SROA3,SROA2,SROA1,SROA0;
output SROB17,SROB16,SROB15,SROB14,SROB13,SROB12,SROB11,SROB10,SROB9;
output SROB8,SROB7,SROB6,SROB5,SROB4,SROB3,SROB2,SROB1,SROB0;
output
ACCUM51,ACCUM50,ACCUM49,ACCUM48,ACCUM47,ACCUM46,ACCUM45,ACCUM44,ACCUM43,ACCUM42,ACCUM41,ACCUM40,AC
CUM39,ACCUM38,ACCUM37,ACCUM36,ACCUM35,ACCUM34,ACCUM33,ACCUM32,ACCUM31,ACCUM30,ACCUM29,ACCUM28,ACCU
M27,ACCUM26,ACCUM25,ACCUM24,ACCUM23,ACCUM22,ACCUM21,ACCUM20,ACCUM19,ACCUM18,ACCUM17,ACCUM16,ACCUM1
5,ACCUM14,ACCUM13,ACCUM12,ACCUM11,ACCUM10,ACCUM9,ACCUM8,ACCUM7,ACCUM6,ACCUM5,ACCUM4,ACCUM3,ACCUM2,
ACCUM1,ACCUM0,OVERFLOW;
parameter REG_INPUTA_CLK = " NONE, CLK0, CLK1, CLK2, CLK3 ";
parameter REG_INPUTA_CE = " CE0, CE1, CE2, CE3 ";
parameter REG_INPUTA_RST = " RST0, RST1, RST2, RST3 ";
parameter REG_INPUTB_CLK = " NONE, CLK0, CLK1, CLK2, CLK3 ";
parameter REG_INPUTB_CE = " CE0, CE1, CE2, CE3 ";
parameter REG_INPUTB_RST = " RST0, RST1, RST2, RST3 ";
parameter REG_PIPELINE_CLK = " NONE, CLK0, CLK1, CLK2, CLK3 ";
parameter REG_PIPELINE_CE = " CE0, CE1, CE2, CE3 ";
parameter REG_PIPELINE_RST = " RST0, RST1, RST2, RST3 ";
parameter REG_OUTPUT_CLK = " NONE, CLK0, CLK1, CLK2, CLK3 ";
parameter REG_OUTPUT_CE = " CE0, CE1, CE2, CE3 ";
parameter REG_OUTPUT_RST = " RST0, RST1, RST2, RST3 ";
parameter REG_SIGNEDA_0_CLK = " NONE, CLK0, CLK1, CLK2, CLK3 ";
parameter REG_SIGNEDA_0_CE = " CE0, CE1, CE2, CE3 ";
parameter REG_SIGNEDA_0_RST = " RST0, RST1, RST2, RST3 ";
parameter REG_SIGNEDA_1_CLK = " NONE, CLK0, CLK1, CLK2, CLK3 ";
parameter REG_SIGNEDA_1_CE = " CE0, CE1, CE2, CE3 ";

```

```

parameter REG_SIGNEDA_1_RST = " RST0, RST1, RST2, RST3 ";
parameter REG_SIGNEDB_0_CLK = " NONE, CLK0, CLK1, CLK2, CLK3 ";
parameter REG_SIGNEDB_0_CE = " CE0, CE1, CE2, CE3 ";
parameter REG_SIGNEDB_0_RST = " RST0, RST1, RST2, RST3 ";
parameter REG_SIGNEDB_1_CLK = " NONE, CLK0, CLK1, CLK2, CLK3 ";
parameter REG_SIGNEDB_1_CE = " CE0, CE1, CE2, CE3 ";
parameter REG_SIGNEDB_1_RST = " RST0, RST1, RST2, RST3 ";
parameter REG_ACCUMSLOAD_0_CLK = " NONE, CLK0, CLK1, CLK2, CLK3 ";
parameter REG_ACCUMSLOAD_0_CE = " CE0, CE1, CE2, CE3 ";
parameter REG_ACCUMSLOAD_0_RST = " RST0, RST1, RST2, RST3 ";
parameter REG_ACCUMSLOAD_1_CLK = " NONE, CLK0, CLK1, CLK2, CLK3 ";
parameter REG_ACCUMSLOAD_1_CE = " CE0, CE1, CE2, CE3 ";
parameter REG_ACCUMSLOAD_1_RST = " RST0, RST1, RST2, RST3 ";
parameter REG_ADDNSUB_0_CLK = " NONE, CLK0, CLK1, CLK2, CLK3 ";
parameter REG_ADDNSUB_0_CE = " CE0, CE1, CE2, CE3 ";
parameter REG_ADDNSUB_0_RST = " RST0, RST1, RST2, RST3 ";
parameter REG_ADDNSUB_1_CLK = " NONE, CLK0, CLK1, CLK2, CLK3 ";
parameter REG_ADDNSUB_1_CE = " CE0, CE1, CE2, CE3 ";
parameter REG_ADDNSUB_1_RST = " RST0, RST1, RST2, RST3 ";
parameter GSR = " Enabled, Disabled ";

```

MULT36X36B

```

input A35,A34,A33,A32,A31,A30,A29,A28,A27,A26,A25,A24,A23,A22,A21,A20,A19,A18;
input A17,A16,A15,A14,A13,A12,A11,A10,A9,A8,A7,A6,A5,A4,A3,A2,A1,A0;
input B35,B34,B33,B32,B31,B30,B29,B28,B27,B26,B25,B24,B23,B22,B21,B20,B19,B18;
input B17,B16,B15,B14,B13,B12,B11,B10,B9,B8,B7,B6,B5,B4,B3,B2,B1,B0;
input SIGNEDA, SIGNEDB;
input CE0,CE1,CE2,CE3,CLK0,CLK1,CLK2,CLK3,RST0,RST1,RST2,RST3;
output P71,P70,P69,P68,P67,P66,P65,P64,P63,P62,P61,P60,P59,P58,P57,P56,P55,P54;
output P53,P52,P51,P50,P49,P48,P47,P46,P45,P44,P43,P42,P41,P40,P39,P38,P37,P36;
output P35,P34,P33,P32,P31,P30,P29,P28,P27,P26,P25,P24,P23,P22,P21,P20,P19,P18;
output P17,P16,P15,P14,P13,P12,P11,P10,P9,P8,P7,P6,P5,P4,P3,P2,P1,P0;
parameter REG_INPUTA_CLK = " NONE, CLK0, CLK1, CLK2, CLK3 ";
parameter REG_INPUTA_CE = " CE0, CE1, CE2, CE3 ";
parameter REG_INPUTA_RST = " RST0, RST1, RST2, RST3 ";
parameter REG_INPUTB_CLK = " NONE, CLK0, CLK1, CLK2, CLK3 ";
parameter REG_INPUTB_CE = " CE0, CE1, CE2, CE3 ";
parameter REG_INPUTB_RST = " RST0, RST1, RST2, RST3 ";
parameter REG_PIPELINE_CLK = " NONE, CLK0, CLK1, CLK2, CLK3 ";
parameter REG_PIPELINE_CE = " CE0, CE1, CE2, CE3 ";
parameter REG_PIPELINE_RST = " RST0, RST1, RST2, RST3 ";
parameter REG_OUTPUT_CLK = " NONE, CLK0, CLK1, CLK2, CLK3 ";
parameter REG_OUTPUT_CE = " CE0, CE1, CE2, CE3 ";
parameter REG_OUTPUT_RST = " RST0, RST1, RST2, RST3 ";
parameter REG_SIGNEDA_0_CLK = " NONE, CLK0, CLK1, CLK2, CLK3 ";
parameter REG_SIGNEDA_0_CE = " CE0, CE1, CE2, CE3 ";
parameter REG_SIGNEDA_0_RST = " RST0, RST1, RST2, RST3 ";
parameter REG_SIGNEDA_1_CLK = " NONE, CLK0, CLK1, CLK2, CLK3 ";
parameter REG_SIGNEDA_1_CE = " CE0, CE1, CE2, CE3 ";
parameter REG_SIGNEDA_1_RST = " RST0, RST1, RST2, RST3 ";
parameter REG_SIGNEDB_0_CLK = " NONE, CLK0, CLK1, CLK2, CLK3 ";
parameter REG_SIGNEDB_0_CE = " CE0, CE1, CE2, CE3 ";
parameter REG_SIGNEDB_0_RST = " RST0, RST1, RST2, RST3 ";
parameter REG_SIGNEDB_1_CLK = " NONE, CLK0, CLK1, CLK2, CLK3 ";
parameter REG_SIGNEDB_1_CE = " CE0, CE1, CE2, CE3 ";
parameter REG_SIGNEDB_1_RST = " RST0, RST1, RST2, RST3 ";
parameter GSR = " Enabled, Disabled ";

```

MULT9X9B

```

input A8,A7,A6,A5,A4,A3,A2,A1,A0;
input B8,B7,B6,B5,B4,B3,B2,B1,B0;
input SIGNEDA, SIGNEDB, SOURCEA, SOURCEB;
input CE0,CE1,CE2,CE3,CLK0,CLK1,CLK2,CLK3,RST0,RST1,RST2,RST3;
input SRIA8,SRIA7,SRIA6,SRIA5,SRIA4,SRIA3,SRIA2,SRIA1,SRIA0;
input SRIB8,SRIB7,SRIB6,SRIB5,SRIB4,SRIB3,SRIB2,SRIB1,SRIB0;
output SROA8,SROA7,SROA6,SROA5,SROA4,SROA3,SROA2,SROA1,SROA0;
output SROB8,SROB7,SROB6,SROB5,SROB4,SROB3,SROB2,SROB1,SROB0;
output P17,P16,P15,P14,P13,P12,P11,P10,P9,P8,P7,P6,P5,P4,P3,P2,P1,P0;
parameter REG_INPUTA_CLK = " NONE, CLK0, CLK1, CLK2, CLK3 ";
parameter REG_INPUTA_CE = " CE0, CE1, CE2, CE3 ";
parameter REG_INPUTA_RST = " RST0, RST1, RST2, RST3 ";
parameter REG_INPUTB_CLK = " NONE, CLK0, CLK1, CLK2, CLK3 ";
parameter REG_INPUTB_CE = " CE0, CE1, CE2, CE3 ";
parameter REG_INPUTB_RST = " RST0, RST1, RST2, RST3 ";
parameter REG_PIPELINE_CLK = " NONE, CLK0, CLK1, CLK2, CLK3 ";
parameter REG_PIPELINE_CE = " CE0, CE1, CE2, CE3 ";
parameter REG_PIPELINE_RST = " RST0, RST1, RST2, RST3 ";
parameter REG_OUTPUT_CLK = " NONE, CLK0, CLK1, CLK2, CLK3 ";
parameter REG_OUTPUT_CE = " CE0, CE1, CE2, CE3 ";
parameter REG_OUTPUT_RST = " RST0, RST1, RST2, RST3 ";
parameter REG_SIGNEDA_CLK = " NONE, CLK0, CLK1, CLK2, CLK3 ";
parameter REG_SIGNEDA_CE = " CE0, CE1, CE2, CE3 ";
parameter REG_SIGNEDA_RST = " RST0, RST1, RST2, RST3 ";
parameter REG_SIGNEDB_CLK = " NONE, CLK0, CLK1, CLK2, CLK3 ";
parameter REG_SIGNEDB_CE = " CE0, CE1, CE2, CE3 ";
parameter REG_SIGNEDB_RST = " RST0, RST1, RST2, RST3 ";
parameter GSR = " Enabled, Disabled ";

```

MULT9X9ADDSUBB

```

input A08,A07,A06,A05,A04,A03,A02,A01,A00;
input A18,A17,A16,A15,A14,A13,A12,A11,A10;
input B08,B07,B06,B05,B04,B03,B02,B01,B00;
input B18,B17,B16,B15,B14,B13,B12,B11,B10;
input SIGNEDA, SIGNEDB, ADDNSUB;
input SOURCEA0, SOURCEA1, SOURCEB0, SOURCEB1;
input CE0,CE1,CE2,CE3,CLK0,CLK1,CLK2,CLK3,RST0,RST1,RST2,RST3;
input SRIA8,SRIA7,SRIA6,SRIA5,SRIA4,SRIA3,SRIA2,SRIA1,SRIA0;
input SRIB8,SRIB7,SRIB6,SRIB5,SRIB4,SRIB3,SRIB2,SRIB1,SRIB0;
output SROA8,SROA7,SROA6,SROA5,SROA4,SROA3,SROA2,SROA1,SROA0;
output SROB8,SROB7,SROB6,SROB5,SROB4,SROB3,SROB2,SROB1,SROB0;
output
SUM18,SUM17,SUM16,SUM15,SUM14,SUM13,SUM12,SUM11,SUM10,SUM9,SUM8,SUM7,SUM6,SUM5,SUM4,SUM3,SUM2,SUM1
,SUM0;
parameter REG_INPUTA0_CLK = " NONE, CLK0, CLK1, CLK2, CLK3 ";
parameter REG_INPUTA0_CE = " CE0, CE1, CE2, CE3 ";
parameter REG_INPUTA0_RST = " RST0, RST1, RST2, RST3 ";
parameter REG_INPUTA1_CLK = " NONE, CLK0, CLK1, CLK2, CLK3 ";
parameter REG_INPUTA1_CE = " CE0, CE1, CE2, CE3 ";
parameter REG_INPUTA1_RST = " RST0, RST1, RST2, RST3 ";
parameter REG_INPUTB0_CLK = " NONE, CLK0, CLK1, CLK2, CLK3 ";
parameter REG_INPUTB0_CE = " CE0, CE1, CE2, CE3 ";
parameter REG_INPUTB0_RST = " RST0, RST1, RST2, RST3 ";
parameter REG_INPUTB1_CLK = " NONE, CLK0, CLK1, CLK2, CLK3 ";
parameter REG_INPUTB1_CE = " CE0, CE1, CE2, CE3 ";
parameter REG_INPUTB1_RST = " RST0, RST1, RST2, RST3 ";
parameter REG_PIPELINE0_CLK = " NONE, CLK0, CLK1, CLK2, CLK3 ";
parameter REG_PIPELINE0_CE = " CE0, CE1, CE2, CE3 ";
parameter REG_PIPELINE0_RST = " RST0, RST1, RST2, RST3 ";

```



```

parameter REG_PIPELINE1_CLK = " NONE, CLK0, CLK1, CLK2, CLK3 ";
parameter REG_PIPELINE1_CE = " CE0, CE1, CE2, CE3 ";
parameter REG_PIPELINE1_RST = " RST0, RST1, RST2, RST3 ";
parameter REG_OUTPUT_CLK = " NONE, CLK0, CLK1, CLK2, CLK3 ";
parameter REG_OUTPUT_CE = " CE0, CE1, CE2, CE3 ";
parameter REG_OUTPUT_RST = " RST0, RST1, RST2, RST3 ";
parameter REG_SIGNEDA_0_CLK = " NONE, CLK0, CLK1, CLK2, CLK3 ";
parameter REG_SIGNEDA_0_CE = " CE0, CE1, CE2, CE3 ";
parameter REG_SIGNEDA_0_RST = " RST0, RST1, RST2, RST3 ";
parameter REG_SIGNEDA_1_CLK = " NONE, CLK0, CLK1, CLK2, CLK3 ";
parameter REG_SIGNEDA_1_CE = " CE0, CE1, CE2, CE3 ";
parameter REG_SIGNEDA_1_RST = " RST0, RST1, RST2, RST3 ";
parameter REG_SIGNEDB_0_CLK = " NONE, CLK0, CLK1, CLK2, CLK3 ";
parameter REG_SIGNEDB_0_CE = " CE0, CE1, CE2, CE3 ";
parameter REG_SIGNEDB_0_RST = " RST0, RST1, RST2, RST3 ";
parameter REG_SIGNEDB_1_CLK = " NONE, CLK0, CLK1, CLK2, CLK3 ";
parameter REG_SIGNEDB_1_CE = " CE0, CE1, CE2, CE3 ";
parameter REG_SIGNEDB_1_RST = " RST0, RST1, RST2, RST3 ";
parameter REG_ADDNSUB_0_CLK = " NONE, CLK0, CLK1, CLK2, CLK3 ";
parameter REG_ADDNSUB_0_CE = " CE0, CE1, CE2, CE3 ";
parameter REG_ADDNSUB_0_RST = " RST0, RST1, RST2, RST3 ";
parameter REG_ADDNSUB_1_CLK = " NONE, CLK0, CLK1, CLK2, CLK3 ";
parameter REG_ADDNSUB_1_CE = " CE0, CE1, CE2, CE3 ";
parameter REG_ADDNSUB_1_RST = " RST0, RST1, RST2, RST3 ";
parameter GSR = " Enabled, Disabled ";

```

MULT9X9ADDSUBSUBM

```

input A08,A07,A06,A05,A04,A03,A02,A01,A00;
input A18,A17,A16,A15,A14,A13,A12,A11,A10;
input A28,A27,A26,A25,A24,A23,A22,A21,A20;
input A38,A37,A36,A35,A34,A33,A32,A31,A30;
input B08,B07,B06,B05,B04,B03,B02,B01,B00;
input B18,B17,B16,B15,B14,B13,B12,B11,B10;
input B28,B27,B26,B25,B24,B23,B22,B21,B20;
input B38,B37,B36,B35,B34,B33,B32,B31,B30;
input SIGNEDA, SIGNEDB,ADDNSUB1,ADDNSUB3;
input SOURCEA0, SOURCEA1, SOURCEA2, SOURCEA3;
input SOURCEB0, SOURCEB1, SOURCEB2, SOURCEB3;
input CE0,CE1,CE2,CE3,CLK0,CLK1,CLK2,CLK3,RST0,RST1,RST2,RST3;
input SRIA8,SRIA7,SRIA6,SRIA5,SRIA4,SRIA3,SRIA2,SRIA1,SRIA0;
input SRIB8,SRIB7,SRIB6,SRIB5,SRIB4,SRIB3,SRIB2,SRIB1,SRIB0;
output SROA8,SROA7,SROA6,SROA5,SROA4,SROA3,SROA2,SROA1,SROA0;
output SROB8,SROB7,SROB6,SROB5,SROB4,SROB3,SROB2,SROB1,SROB0;
output
SUM19,SUM18,SUM17,SUM16,SUM15,SUM14,SUM13,SUM12,SUM11,SUM10,SUM9,SUM8,SUM7,SUM6,SUM5,SUM4,SUM3,SUM
2,SUM1,SUM0;
parameter REG_INPUTA0_CLK = " NONE, CLK0, CLK1, CLK2, CLK3 ";
parameter REG_INPUTA0_CE = " CE0, CE1, CE2, CE3 ";
parameter REG_INPUTA0_RST = " RST0, RST1, RST2, RST3 ";
parameter REG_INPUTA1_CLK = " NONE, CLK0, CLK1, CLK2, CLK3 ";
parameter REG_INPUTA1_CE = " CE0, CE1, CE2, CE3 ";
parameter REG_INPUTA1_RST = " RST0, RST1, RST2, RST3 ";
parameter REG_INPUTA2_CLK = " NONE, CLK0, CLK1, CLK2, CLK3 ";
parameter REG_INPUTA2_CE = " CE0, CE1, CE2, CE3 ";
parameter REG_INPUTA2_RST = " RST0, RST1, RST2, RST3 ";
parameter REG_INPUTA3_CLK = " NONE, CLK0, CLK1, CLK2, CLK3 ";
parameter REG_INPUTA3_CE = " CE0, CE1, CE2, CE3 ";
parameter REG_INPUTA3_RST = " RST0, RST1, RST2, RST3 ";
parameter REG_INPUTB0_CLK = " NONE, CLK0, CLK1, CLK2, CLK3 ";
parameter REG_INPUTB0_CE = " CE0, CE1, CE2, CE3 ";
parameter REG_INPUTB0_RST = " RST0, RST1, RST2, RST3 ";

```

```
parameter REG_INPUTB1_CLK = " NONE, CLK0, CLK1, CLK2, CLK3 ";
parameter REG_INPUTB1_CE = " CE0, CE1, CE2, CE3 ";
parameter REG_INPUTB1_RST = " RST0, RST1, RST2, RST3 ";
parameter REG_INPUTB2_CLK = " NONE, CLK0, CLK1, CLK2, CLK3 ";
parameter REG_INPUTB2_CE = " CE0, CE1, CE2, CE3 ";
parameter REG_INPUTB2_RST = " RST0, RST1, RST2, RST3 ";
parameter REG_INPUTB3_CLK = " NONE, CLK0, CLK1, CLK2, CLK3 ";
parameter REG_INPUTB3_CE = " CE0, CE1, CE2, CE3 ";
parameter REG_INPUTB3_RST = " RST0, RST1, RST2, RST3 ";
parameter REG_PIPELINE0_CLK = " NONE, CLK0, CLK1, CLK2, CLK3 ";
parameter REG_PIPELINE0_CE = " CE0, CE1, CE2, CE3 ";
parameter REG_PIPELINE0_RST = " RST0, RST1, RST2, RST3 ";
parameter REG_PIPELINE1_CLK = " NONE, CLK0, CLK1, CLK2, CLK3 ";
parameter REG_PIPELINE1_CE = " CE0, CE1, CE2, CE3 ";
parameter REG_PIPELINE1_RST = " RST0, RST1, RST2, RST3 ";
parameter REG_PIPELINE2_CLK = " NONE, CLK0, CLK1, CLK2, CLK3 ";
parameter REG_PIPELINE2_CE = " CE0, CE1, CE2, CE3 ";
parameter REG_PIPELINE2_RST = " RST0, RST1, RST2, RST3 ";
parameter REG_PIPELINE3_CLK = " NONE, CLK0, CLK1, CLK2, CLK3 ";
parameter REG_PIPELINE3_CE = " CE0, CE1, CE2, CE3 ";
parameter REG_PIPELINE3_RST = " RST0, RST1, RST2, RST3 ";
parameter REG_OUTPUT_CLK = " NONE, CLK0, CLK1, CLK2, CLK3 ";
parameter REG_OUTPUT_CE = " CE0, CE1, CE2, CE3 ";
parameter REG_OUTPUT_RST = " RST0, RST1, RST2, RST3 ";
parameter REG_SIGNEDA_0_CLK = " NONE, CLK0, CLK1, CLK2, CLK3 ";
parameter REG_SIGNEDA_0_CE = " CE0, CE1, CE2, CE3 ";
parameter REG_SIGNEDA_0_RST = " RST0, RST1, RST2, RST3 ";
parameter REG_SIGNEDA_1_CLK = " NONE, CLK0, CLK1, CLK2, CLK3 ";
parameter REG_SIGNEDA_1_CE = " CE0, CE1, CE2, CE3 ";
parameter REG_SIGNEDA_1_RST = " RST0, RST1, RST2, RST3 ";
parameter REG_SIGNEDB_0_CLK = " NONE, CLK0, CLK1, CLK2, CLK3 ";
parameter REG_SIGNEDB_0_CE = " CE0, CE1, CE2, CE3 ";
parameter REG_SIGNEDB_0_RST = " RST0, RST1, RST2, RST3 ";
parameter REG_SIGNEDB_1_CLK = " NONE, CLK0, CLK1, CLK2, CLK3 ";
parameter REG_SIGNEDB_1_CE = " CE0, CE1, CE2, CE3 ";
parameter REG_SIGNEDB_1_RST = " RST0, RST1, RST2, RST3 ";
parameter REG_ADDNSUB1_0_CLK = " NONE, CLK0, CLK1, CLK2, CLK3 ";
parameter REG_ADDNSUB1_0_CE = " CE0, CE1, CE2, CE3 ";
parameter REG_ADDNSUB1_0_RST = " RST0, RST1, RST2, RST3 ";
parameter REG_ADDNSUB1_1_CLK = " NONE, CLK0, CLK1, CLK2, CLK3 ";
parameter REG_ADDNSUB1_1_CE = " CE0, CE1, CE2, CE3 ";
parameter REG_ADDNSUB1_1_RST = " RST0, RST1, RST2, RST3 ";
parameter REG_ADDNSUB3_0_CLK = " NONE, CLK0, CLK1, CLK2, CLK3 ";
parameter REG_ADDNSUB3_0_CE = " CE0, CE1, CE2, CE3 ";
parameter REG_ADDNSUB3_0_RST = " RST0, RST1, RST2, RST3 ";
parameter REG_ADDNSUB3_1_CLK = " NONE, CLK0, CLK1, CLK2, CLK3 ";
parameter REG_ADDNSUB3_1_CE = " CE0, CE1, CE2, CE3 ";
parameter REG_ADDNSUB3_1_RST = " RST0, RST1, RST2, RST3 ";
parameter GSR = " Enabled, Disabled ";
```

Introduction

The memory in the LatticeXP2™ FPGAs is built using Flash cells, along with SRAM cells, so that configuration memory can be loaded automatically at power-up, or at any time the user wishes to update the device. In addition to “instant-on” capability, on-chip Flash memory greatly increases design security by getting rid of the external configuration bitstream; while maintaining the ease of use and reprogrammability of an SRAM-based FPGA.

The LatticeXP2 supports the use of an encryption key to protect the contents of the Flash memory for additional security. The LatticeXP2 also supports the use of a One-Time-Programmable (OTP) feature to protect the Flash memory from being erased or re-programmed.

While an external device is not required, the LatticeXP2 does support several external configuration modes. The available external configuration modes are:

- Slave SPI
- Master SPI
- ispJTAG™ (1149.1 interface)

This guide will cover all the configuration options available for the LatticeXP2.

Programming Overview

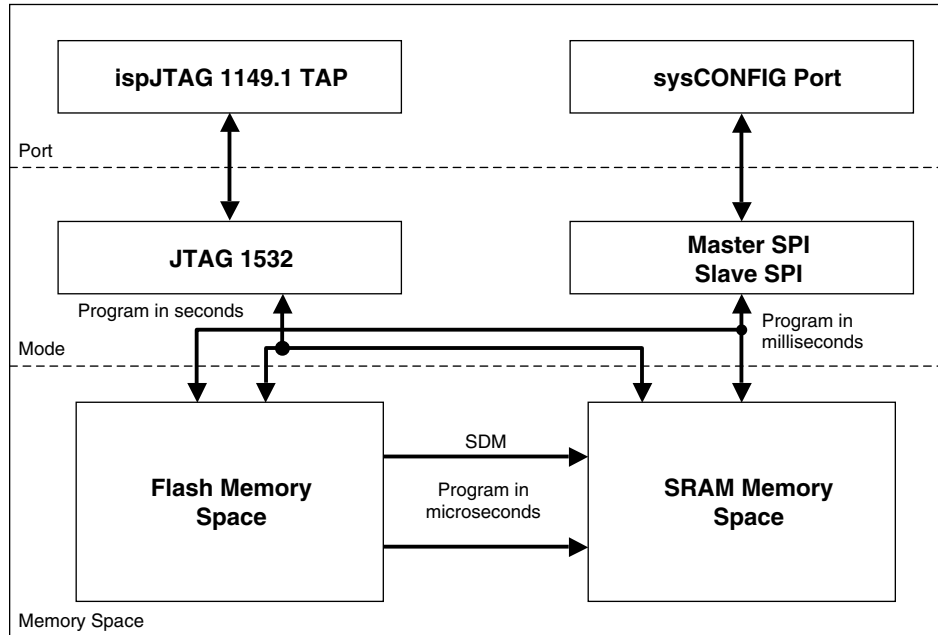
The LatticeXP2 contains two types of memory, SRAM and Flash (refer to Figure 14-1). SRAM contains the FPGA configuration, essentially the “fuses” that define the circuit connections; Flash provides an internal storage space for the configuration data.

The LatticeXP2 also contains additional Flash memory area and that is designated for Tag memory and User Flash memory. The Tag memory is a scratch pad memory that is available to the user for storage of mission critical data, board serialization, revision information, programmed pattern identification, or other information. The User Flash memory is available to provide a back up the contents of the EBR RAM modules if the user desires. These functions will be discussed in more detail in later sections of this document.

The SRAM can be configured using JTAG, the external Master SPI port, or by using the data stored in on-chip Flash. The configuration process consists of SRAM initialization (clear the RAM and the address pointers), loading the SRAM with the configuration data, and setting the FPGA into user mode (waking up the FPGA).

On-chip Flash can be programmed by using JTAG or by using the external Slave SPI port. JTAG Flash programming can be performed any time the device is powered up. The Slave SPI port uses the sysCONFIG™ pins and can program the Flash directly or in the background. Direct programming takes place during config mode, background programming during user mode. The FPGA enters config mode at power up, when the PROGRAMN pin is pulled low, or when a refresh command is issued via JTAG; it enters user mode when it wakes up, i.e. when the device begins running user code. These two programming modes, direct and background, will be referred to in this document as Flash Direct and Flash Background.

Figure 14-1. Programming Block Diagram



Configuration Pins

The LatticeXP2 has one dedicated and nine dual-purpose sysCONFIG pins. The dual-purpose pins are available as extra I/O pins if they are not used for configuration.

The configuration mode pins, along with a programmable option, controls how the LatticeXP2 will be configured. The configuration mode pins (CFG[1:0]) are generally hard wired on the PCB and determine which configuration mode will be used; the programmable option is accessed via preferences in Lattice ispLEVER® design software, or as HDL source file attributes, and allows the user to protect the configuration pins from accidental use by the user or the place-and-route software. The LatticeXP2 devices also support ispJTAG for configuration, including transparent readback, and for JTAG testing. The following sections describe the functionality of the sysCONFIG and JTAG pins. Note that JTAG and ispJTAG will be used interchangeably in this document. Table 14-1 is provided for reference.

Table 14-1. Configuration Pins for the LatticeXP2 Device ¹

Pin Name	I/O Type	Pin Type	Mode Used
CFG0	Input, weak pull-up	Dedicated	All
CFG1	Input, weak pull-up	Dual-Purpose ²	MSPI, SSPI
PROGRAMN	Input, weak pull-up	Dual-Purpose ²	MSPI, SSPI
INITN	Bi-Directional Open Drain, weak pull-up	Dual-Purpose ²	MSPI, SSPI
DONE	Bi-Directional Open Drain with weak pull-up or Active Drive	Dual-Purpose ²	MSPI, SSPI
CCLK	Input or Output	Dual-Purpose	MSPI, SSPI
SISPI	Input or Output	Dual-Purpose	MSPI, SSPI
SOSPI	Input or Output	Dual-Purpose	MSPI, SSPI
CSSPISN	Input, weak pull-up	Dual-Purpose	Slave SPI
CSSPIN	Output, tri-state, weak pull-up	Dual-Purpose	Master SPI
TDI	Input, weak pull-up	JTAG	
TDO	Output	JTAG	
TCK	Input with Hysteresis	JTAG	

Table 14-1. Configuration Pins for the LatticeXP2 Device (Continued)¹

Pin Name	I/O Type	Pin Type	Mode Used
TMS	Input, weak pull-up	JTAG	

1. Weak pull-ups consist of a current source of 30uA to 150uA. The pull-up for CFG tracks V_{CC} (core). This means that any voltage level above V_{CC} is considered a “high.” The pull-ups for TDI and TMS track V_{CCJ} ; all other pull-ups track the V_{CCIO} for that pin.
2. This pin becomes a dedicated programming pin when the CFG0 pin is low.

sysCONFIG Pins

Following is a description of the sysCONFIG pins for the LatticeXP2 device. These pins are used to control or monitor the configuration process. These pins are used for non-JTAG programming sequences only. The JTAG pins will be explained later in the ispJTAG Pins section of this document.

CFG[1:0]

The Configuration Mode pin CFG0 is a dedicated input with a weak pull-up. The CFG1 pin is a dual-purpose input pin with a weak pull-up. The CFG pins are used to select the configuration mode for the LatticeXP2, i.e. what type of device the LatticeXP2 will configure from. At Power-On-Reset (POR), or when the PROGRAMN pin is driven low, the device will enter the configuration mode selected by the CFG[1:0] pins.

Table 14-2. LatticeXP2 Configuration Modes

Configuration Mode	CFG[1]	CFG[0]	Mode Description
Dual-Boot Mode 1	0	0	Will attempt to boot from the external SPI Flash first. If unsuccessful, then it tries to boot from internal Flash.
Dual-Boot Mode 2	1	0	Will attempt to boot from the internal Flash first. If unsuccessful, then it tries to boot from external SPI Flash.
Self Download Mode (SDM)	X ¹	1	Single boot mode. The device will only try to boot from internal Flash.

1. Don't care.

When the CFG0 pin is high, the device will configure itself by reading the data stored in on-chip Flash; this is referred to as SDM, or Self Download Mode. See the Self-Download section of this document for more information regarding SDM. If the CFG0 pin is low then the device will read the CFG1 pin to determine which mode to enter. When CFG1 is low the device will first attempt to configure the SRAM using Master SPI mode with the external SPI Flash port. If this fails then the device will configure itself from the on-chip Flash if a configuration file is stored there. When CFG1 is high the device will first attempt to configure the SRAM using on-chip Flash. If a configuration file is not stored there then the device will configure itself using Master SPI mode with the external SPI Flash port.

Dual-Purpose sysCONFIG Pins

The following is a list of the dual-purpose sysCONFIG pins. These pins are available as general purpose I/O after configuration. If a dual-purpose pin is to be used both for configuration and as a general purpose I/O the user must adhere to the following:

- The I/O type must remain the same. In other words, if the pin is a 3.3V CMOS pin (LVCMOS33) during configuration it must remain a 3.3V CMOS pin as a GPIO.
- The Persistent option must be set to OFF. The Persistent option will be set to OFF by the software unless the user sets the SLAVE_SPI_PORT to ENABLE using the Design Planner in ispLEVER. This option is shown in the Global tab of the Design Planner Spreadsheet view.
- The user is responsible for insuring that no internal or external logic will interfere with device configuration.

After configuration these pins, if not used as GPIO, are tri-stated and weakly pulled up.

CFG1

The CFG1 pin is a dual-purpose input with a weak pull-up. Its function is described in the section above. When the CFG0 pin is high, the CFG1 pin is not used for configuration and becomes a general purpose I/O pin available to the user.

PROGRAMN

The PROGRAMN pin is a dual-purpose input with a weak pull-up. This pin is used to initiate a non-JTAG SRAM configuration sequence. A high to low signal applied to PROGRAMN sets the device into configuration mode. The PROGRAMN pin can be used to trigger configuration at any time. If the device is using JTAG then PROGRAMN will be ignored until the device is released from JTAG mode.

The PROGRAMN pin is only available if the CFG0 pin is set to 0 (not in SDM mode). When the CFG0 pin is set to 1 then PROGRAMN becomes a general purpose I/O pin available to the user.

When the CFG0 pin is set to 0, the PROGRAMN pin becomes a dedicated programming pin.

INITN

The INITN pin is a dual-purpose bi-directional open drain pin with a weak pull-up. INITN is capable of driving a low pulse out as well as detecting a low pulse driven in.

When using either the SPI Flash boot or Embedded Flash Boot mode to configure the SRAM, INITN going low indicates that the SRAM is being initialized; INITN going high indicates that the FPGA is ready to accept configuration data. To delay configuration the INITN pin can be held low externally. The device will not enter configuration mode as long as the INITN pin is held low. After configuration has started INITN is used to indicate a bitstream error. The INITN pin will be driven low if the calculated CRC and the configuration data CRC do not match; DONE will then remain low and the LatticeXP2 will not wake up.

When using SDM, configuration from on-chip Flash INITN is not used or monitored.

When programming on-chip Flash the INITN pin is not used. During Flash Direct programming an error will prevent the FPGA from configuring from the Flash, during Flash Background programming an error will not affect the configuration already running in SRAM.

The INITN pin is only available if the CFG0 pin is set to 0 (not in SDM mode). When the CFG0 pin is set to 1 then INITN becomes a general purpose I/O pin available to the user.

When the CFG0 pin is set to 0, the INITN pin becomes a dedicated programming pin.

DONE

The DONE pin is a dual-purpose bi-directional open drain with a weak pull-up (default), or an actively driven pin. DONE will be driven low when the device is in configuration mode and the internal DONE bit is not programmed. When the INITN and PROGRAMN pins go high, and the internal DONE bit is programmed, the DONE pin will be released (or driven high, if it is an actively driven pin). The DONE pin can be held low externally and, depending on the wake-up sequence selected, the device will not become functional until the DONE pin is externally brought high.

Reading the DONE bit is a good way for an external device to tell if the FPGA is configured.

When using JTAG to configure SRAM the DONE pin is driven by the boundary scan cell, so the state of the DONE pin has no meaning until configuration is completed.

The DONE pin is only available if the CFG0 pin is set to 0 (not in SDM mode). When the CFG0 pin is set to 1 then DONE becomes a general purpose I/O pin available to the user.

When the CFG0 pin is set to 0, the DONE pin becomes a dedicated programming pin.

CCLK

CCLK is a dual-purpose bi-directional pin; direction depends on whether a Master or Slave mode is selected. If a Master mode is selected, the CCLK pin will become an output pin; otherwise CCLK is an input pin.

If the CCLK pin becomes an output, the internal programmable oscillator is connected to the CCLK and is driven out to slave devices. CCLK will stop 100 to 500 clock cycles after the DONE pin is brought high and the device wake-up sequence completed. The extra clock cycles ensure that enough clocks are provided to wake-up other devices in the chain. When stopped, CCLK becomes an input (tri-stated output). CCLK will restart (become an output) on the next configuration initialization sequence.

CSSPIN

The CSSPIN pin is a dual-purpose output pin with a weak pull-up. The CSSPIN is an active low chip select to an external SPI flash when used with the Master SPI mode. The CSSPIN pin becomes a dedicated pin if the CFG0 pin is set to 0 (not in SDM mode). When the CFG0 pin is set to 1 then CSSPIN becomes a general purpose I/O pin available to the user.

If the CFG0 is set to 0 then this pin should be driven high unless the Master SPI mode is selected to avoid contention between the Master and Slave SPI modes.

CSSPISN

The CSSPISN pin is a dual-purpose input pin with a weak pull-up. The CSSPISN is an active low chip select to the internal SPI interface and is used with the Slave SPI mode.

If the CSSPISN is driven low while in the middle of Master SPI port activity the Master SPI shall be disabled and the Slave SPI interface activated.

The PERSISTENT preference must be set to ON in order to preserve this pin as CSSPISN and allow access to the Slave SPI interface. The PERSISTENT preference will be set by the software automatically when the user sets the SLAVE_SPI_PORT option in the Design Planner.

SISPI

The SISPI pin is a dual-purpose bi-directional pin; direction depends upon whether a Master or Slave mode is active. The SISPI is the Input data pin when using the Slave SPI mode and is the Output data pin when using the Master SPI mode.

The PERSISTENT preference must be set to ON in order to preserve this pin as SISPI and allow access to the Slave SPI interface. The PERSISTENT preference will be set by the software automatically when the user sets the SLAVE_SPI_PORT option in the Design Planner.

SOSPI

The SOSPI pin is a dual-purpose bi-directional pin; direction depends upon whether a Master or Slave mode is active. The SOSPI is the Input data pin when using the Master SPI mode and is the Output data pin when using the Slave SPI mode.

The PERSISTENT preference must be set to ON in order to preserve this pin as SOSPI and allow access to the Slave SPI interface. The PERSISTENT preference will be set by the software automatically when the user sets the SLAVE_SPI_PORT option in the Design Planner.

Table 14-3. Flash Programming Mode Pin Usage

Flash Programming Mode	Direct	Background	Direct	Background
Port ⁶	Slave SPI		ispJTAG ¹	
Pins	CCLK, CSSPISN, SISPI, SOSPI		TAP	
User I/O States	Tristate	User	BSCAN	User
PROGRAMN	↓	Keep at High	Keep At High ²	
INITN	Pass/Fail	Pass/Fail	Not Used ³	
DONE	Done	Not Used	Keep at High ⁴	
SLAVE_SPI_PORT preference	Don't Care ⁵	ENABLE ⁵	Don't Care	

- ispJTAG can be used to program the Flash regardless of the state of the CFG pins.
- The state of the PROGRAMN pin is ignored by the device during JTAG Flash programming but the pin should be held high as a low will cause a configuration failure. When the device is in the SDM mode, the PROGRAMN pin is a dedicated I/O pin so it does not affect configuration.
- The state of the INITN pin is ignored by the device during JTAG Flash programming but the pin should be allowed to float high using the internal pull-up. When the device is in the SDM mode, the INITN pin is a dedicated I/O pin so it does not affect configuration.
- The state of the DONE pin is ignored by the device during JTAG Flash programming but the pin should be allowed to float high using the internal pull-up as a low can keep the device from waking up. When the device is in the SDM mode, the DONE pin is a dedicated I/O pin so it does not affect configuration.
- The SLAVE_SPI_PORT preference must be set to ENABLE to use the Slave SPI port after the device has been configured. The Slave SPI port is also available when the device is not configured.
- The Master SPI port can only be used to configure the SRAM in direct mode from an external SPI Flash memory. The CFG pins must be set per Table 14-2 to enable this mode.

Table 14-4. Memory Access Modes

Mode	Flash		SRAM	
	Read	Write	Read	Write
Slave SPI	Yes ²	Yes ¹	Yes	No
Master SPI	No	No	No	Yes ³

- Slave SPI mode can only write to on-chip Flash memory in background mode unless the Flash memory is erased.
- Slave SPI mode can read from on-chip Flash memory in background mode only.
- Master SPI mode can write to SRAM in direct mode only.

External SPI Flash

When the Master SPI mode is used for configuration an external SPI Flash device is required to hold the configuration data. The size of the bitstream and the required external SPI Flash is shown in Table 14-5.

Table 14-5. Maximum Configuration Bits

Density	Bitstream Size (Mb)	SPI Flash (Mb)
XP2-5	1.27	2
XP2-8	1.99	2
XP2-17	3.54	4
XP2-30	5.79	8
XP2-40	8.03	16

Programming Sequence

There are two types of programming, SRAM, and Flash Background. This section goes through the process for each showing how the dedicated pins are used.

SRAM

When not using SDM (Self Download Mode, on-chip Flash) to program the SRAM, the sequence begins when the internal power-on reset (POR) is released or the PROGRAMN pin is driven low (see Figure 14-2). The LatticeXP2 then drives INITN low, tri-states the I/Os, and initializes the internal SRAM and control logic. When this is complete, if PROGRAMN is high, INITN will be released. If INITN is held low externally the LatticeXP2 will wait until it goes high. When INITN goes high the LatticeXP2 begins looking for the configuration data using the internal Flash memory or the Master SPI port, as determined by the CFG pins.

If the CFG1 pin is high and the Flash Done bit is set (indicating that the on-chip Flash memory is programmed) then the LatticeXP2 will boot from the on-chip Flash memory. If the Flash Done bit is not set then the LatticeXP2 will boot from the external SPI Flash memory using the Master SPI mode.

If the CFG1 pin is low then the LatticeXP2 will boot from the external SPI Flash memory using the Master SPI mode. In the event of an error the LatticeXP2 will boot from the on-chip Flash memory if the Flash Done bit is set.

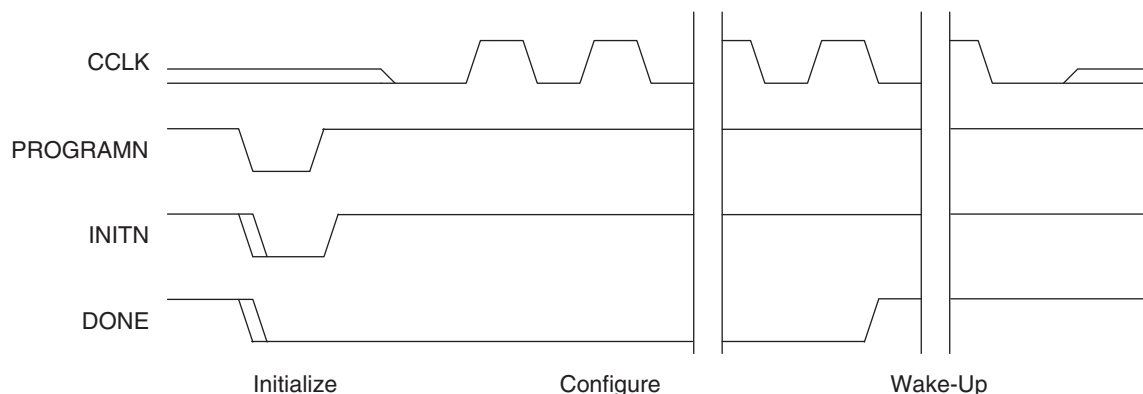
Once configuration is complete the internal DONE bit is set, the DONE pin goes high, and the FPGA wakes up (enters user mode). If a CRC error is detected when reading the bitstream INITN will go low, the internal DONE bit will not be set, the DONE pin will stay low, and the LatticeXP2 will not wake up.

When using SDM to program SRAM the sequence is similar but INITN is not used or monitored. The sequence begins when the internal power-on reset (POR) is released. The LatticeXP2 then tri-states the I/Os and initializes the internal SRAM and control logic. When initialization is complete the LatticeXP2 begins loading configuration data from on-chip Flash.

When using SDM, if the Flash has been programmed, then the configuration sequence will proceed using the data in on-chip Flash. If the Flash has not been programmed, the configuration sequence will stop. Once the Flash has been programmed, a POR or JTAG Refresh instruction must occur to restart the configuration sequence.

When using SDM, once configuration is complete, the internal DONE bit is set and the FPGA wakes up (enters user mode). The external Done pin is not available when using SDM configuration.

Figure 14-2. SRAM Configuration Timing Diagram



Flash Background

Flash Background programming is possible using the Slave SPI port when it is enabled. The Slave SPI port can be enabled in the SDM mode as well as the SPI mode. Flash Background will not disturb the FPGA's present configuration in SRAM.

Flash Background programming may be used in both config mode and user mode (Done bit = 0 or 1). To support Flash Background programming in user mode the SLAVE_SPI_PORT preference must be set to ENABLE.

When the CSSPISN pin goes low, the FPGA will wait for the preamble and then look for the proper commands. A low on INITN indicates an error during a Flash erase or program. Data is written and read on the SISPI and SOSPI pins.

After programming the Flash the user may toggle the PROGRAMN pin to transfer the Flash data to SRAM if the SPI mode is being used. If the SDM mode is being used then the SRAM will be updated on the next power up sequence of when a refresh instruction is issued.

If the CSSPISN pin is driven low, the CSSIPIN should be driven high and CCLK maintained as an input to prevent activating the Master SPI interface. This will avoid contention between the Master and Slave SPI interfaces.

ispJTAG Pins

The ispJTAG pins are standard IEEE 1149.1 TAP (Test Access Port) pins. The ispJTAG pins are dedicated pins and are always accessible when the LatticeXP2 device is powered up. When programming the SRAM via ispJTAG the dedicated programming pins, such as DONE, cannot be used to determine programming progress. This is because the state of the boundary scan cell will drive the pin, per JTAG 1149.1, rather than normal internal logic.

TDO

The Test Data Output pin is used to shift out serial test instructions and data. When TDO is not being driven by the internal circuitry, the pin will be in a high impedance state.

TDI

The Test Data Input pin is used to shift in serial test instructions and data. An internal pull-up resistor on the TDI pin is provided. The internal resistor is pulled up to V_{CCJ} .

TMS

The Test Mode Select pin controls test operations on the TAP controller. On the falling edge of TCK, depending on the state of TMS, a transition will be made in the TAP controller state machine. An internal pull-up resistor on the TMS pin is provided. The internal resistor is pulled up to V_{CCJ} .

TCK

The test clock pin, TCK, provides the clock to run the TAP controller, which loads and unloads the data and instruction registers. TCK can be stopped in either the high or low state and can be clocked at frequencies up to the frequency indicated in the device data sheet. The TCK pin supports the value is shown in the DC parameter table of the data sheet. The TCK pin does not have a pull-up. A pull-down on the PCB of 4.7 K is recommended to avoid inadvertent clocking of the TAP controller as V_{CC} ramps up.

VCCJ

JTAG V_{CC} (V_{CCJ}) supplies independent power to the JTAG port to allow chaining with other JTAG devices at a common voltage. V_{CCJ} must be connected even if JTAG is not used. This voltage may also power the JTAG download cable. Valid voltage levels are 3.3V, 2.5V, 1.8V, 1.5V, and 1.2V.

Please see [In-System Programming Design Guidelines for ispJTAG Devices](#) for further information.

Configuration and JTAG Voltage Levels

All of the control pins and programming pins default to LVCMOS. The CFG0 pin is linked to V_{CC} (core); TCK, TDI, TDO, and TMS track V_{CCJ} ; all other pins track the V_{CCIO} for that pin.

Configuration Modes and Options

The LatticeXP2 device supports two configuration modes, utilizing the SPI port or self-configuration. On power up, or upon driving the PROGRAMN pin low depending upon the current mode, the CFG[1:0] pins are sampled to determine the mode that will be used to configure the LatticeXP2 device. The CFG pins are generally hard wired on the PCB and determine how the device will retrieve its configuration data. The SLAVE_SPI_PORT preference is a programmable option which can be set using the Design Planner in Lattice ispLEVER design software, or as HDL source file attributes, and allow the user to protect the configuration pins from accidental use by the user or the place-and-route software.

Configuration Options

Several configuration options are available for each configuration mode.

- When using a master clock, the master clock frequency can be set.
- A security bit is provided to prevent SRAM or Flash readback.

By setting the proper parameters in the Lattice ispLEVER design software the selected configuration options are set in the generated bitstream. As the bitstream is loaded into the device the selected configuration options take effect. These options are described in the following sections.

Master Clock

If the LatticeXP2 is a Master device the CCLK pin will become an output with the frequency set by the user. The default Master Clock Frequency is 2.5 MHz. The software default adjusts the MCLK frequency to 3.1 MHz in the programming bitstream.

The user can determine the Master Clock frequency by setting the MCCLK_FREQ. One of the first things loaded during configuration is the MCCLK_FREQ parameter; once this parameter is loaded the frequency changes to the selected value using a glitchless switch. Care should be exercised not to exceed the frequency specification of the slave devices or the signal integrity capabilities of the PCB layout.

The MCCLK frequency selections made by the user are only valid if the LatticeXP2 device is booted from external SPI Flash. The internal Flash will not control the MCCLK frequency setting in the JEDEC file. In the case of device boot from internal Flash the MCCLK frequency is always 3.1 MHz. In the case of booting the device from external SPI Flash, the user can use UFW program inside the ispVM tool suite to convert the JEDEC file to bitstream format. The UFW program supports MCCLK_FREQ selections. In this case the user can select MCCLK_FREQ during bitstream conversion. MCCLK_FREQ selections from UFW range 2.5 MHz to 130 MHz.

Security Bit

Setting the security bit prevents readback of the SRAM and Flash from JTAG or the sysCONFIG pins. When the security bit is set the only operations available are erase and write. The security bit is updated as the last operation of SRAM configuration or Flash programming. By using on-chip Flash, and setting the security bit, the user can create a very secure device.

The security bit is accessed via the Design Planner in ispLEVER design software.

More information on device security can be found in the document [FPGA Design Security Issues: Using the ispXPGA Family of FPGAs to Achieve High Design Security](#).

Slave SPI Mode

In the Slave SPI mode the CCLK pin becomes an input and commands will be read into the LatticeXP2 on the SISPI pin at the rising edge of CCLK. Data will be written out of the LatticeXP2 on the SOSPI pin at the falling edge of CCLK.

Care must be exercised during read back of EBR or PFU memory. It is up to the user to ensure that reading these RAMs will not cause data corruption, i.e. these RAMs may not be read while being accessed by user code.

The CSSPISN enables and disables the SPI interface operation. When CSSPISN is high the SPI interface is deselected and the SOSPI pin is at high impedance. When CSSPISN is brought low the SPI interface is selected, commands can be written into and data read from the LatticeXP2. After power up the CSSPISN must transition from high to low before a new command can be accepted.

The Slave SPI mode can also be used to access on-chip Flash. The CSSPISN pin must be held low to write to on-chip Flash; data is input from SISPI. The Slave SPI mode can also be used for readback of both Flash and SRAM. By driving the CSSPISN low, the device will input the readback instructions on the SISPI pin and the data will be written out on the SOSPI pin; a bit in the read command will determine if the read is directed to Flash or SRAM. In order to support readback while the device is in user mode (the DONE pin is high), the SLAVE_SPI_PORT preference must be set to ENABLE using the Design Planner.

Master SPI Mode

In Master SPI mode the LatticeXP2 will drive CCLK out to the Slave SPI Flash device that will provide the bitstream. The Master device will write commands out on SISPI at the rising edge of CCLK and will accept data on SOSPI at the falling edge of CCLK. The Master Serial device starts driving CCLK at the beginning of the configuration and continues to drive CCLK until the external DONE pin is driven high and an additional 100 to 500 clock cycles have been generated. The CCLK frequency on power up defaults to 2.5 MHz. The master clock frequency default remains unless a new clock frequency is loaded from the bitstream.

Self Download Mode

Self Download Mode (SDM) allows the FPGA to configure itself without using any external devices, and because the bitstream is not exposed this is also a very secure configuration mode. The user may access on-chip Flash using ispJTAG or the slave SPI port pins.

JTAG may access the on-chip Flash any time the device is powered up, without disturbing device operation. JTAG may also read and write the configuration SRAM. If access to the on-chip Flash and SRAM is limited to JTAG then SLAVE_SPI_PORT can be set to DISABLE, freeing the dual-purpose pins for use as general purpose I/O.

ispJTAG Mode

The LatticeXP2 device can be configured through the ispJTAG port. The ispJTAG port is always on and available, regardless of the configuration mode selected. The SLAVE_SPI_PORT can be set to DISABLE in the Lattice ispLEVER design software to tell the place and route tools that the JTAG port will be used exclusively, i.e. the SPI port will not be used. Setting the SLAVE_SPI_PORT to DISABLE allows software to use all of the dual-purpose pins as general purpose I/Os.

ISC 1532

Configuration through the ispJTAG port conforms to the IEEE 1532 Standard. The Boundary Scan cells take control of the I/Os during any 1532 mode instruction. The Boundary Scan cells can be set to a pre-determined value whenever using the JTAG 1532 mode. Because of this the dedicated pins, such as DONE, cannot be relied upon for valid configuration status.

Transparent Readback

The ispJTAG Transparent Readback mode allows the user to read the content of the device SRAM or Flash while the device remains in a functional state. Care must be exercised when reading EBR and distributed RAM, as it is possible to cause conflicts with accesses from the user design (causing possible data corruption).

The I/O and non-JTAG configuration pins remain active during a Transparent Readback. The device enters the Transparent Readback mode through a JTAG instruction.

Boundary Scan and BSDL Files

BSDL files for this device can be found on the Lattice website at www.latticesemi.com. The boundary scan ring covers all of the I/O pins, as well as the dedicated and dual-purpose sysCONFIG pins.

Wake Up Options

When configuration is complete (the SRAM has been loaded), the device should wake up in a predictable fashion. The following selections determine how the device will wake up. Two synchronous wake up processes are available. One automatically wakes the device up when the internal Done bit is set regardless of whether the DONE pin is held low externally or not, the other waits for the DONE pin to be driven high before starting the wake up process. The DONE_EX preference determines whether the external DONE pin will control the synchronous wake up. When the device is in the SDM mode the DONE pin is not used and therefore the DONE_EX preference has no effect.

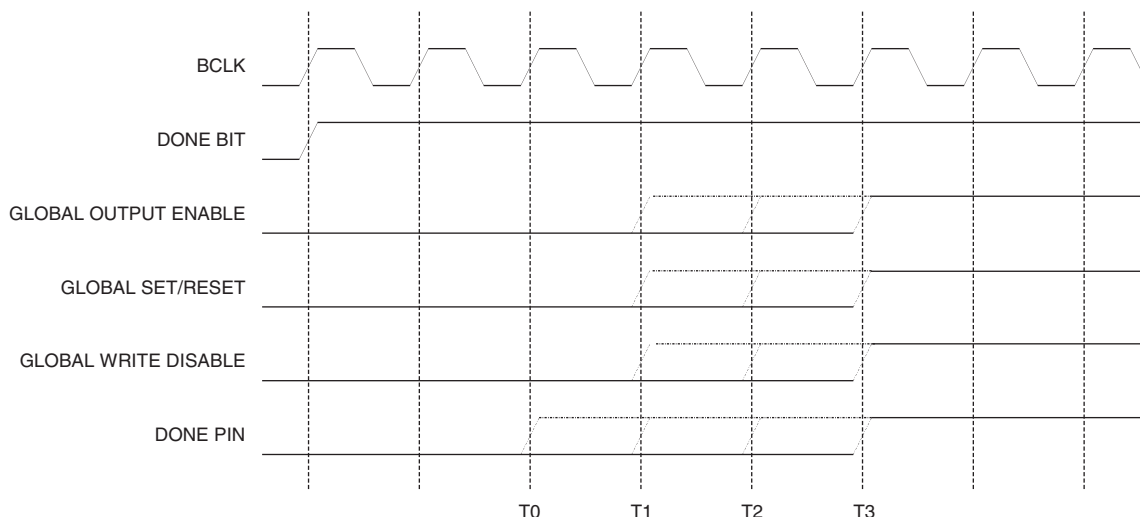
Wake Up Sequence

Table 14-6 provides a list of the wake up sequences supported by the LatticeXP2.

Table 14-6. Wake Up Sequences Supported by LatticeXP2

Sequence	Phase T0	Phase T1	Phase T2	Phase T3
1	DONE	GOE, GWDIS, GSR		
2	DONE		GOE, GWDIS, GSR	
3	DONE			GOE, GWDIS, GSR
4	DONE	GOE	GWDIS, GSR	
5	DONE	GOE		GWDIS, GSR
6	DONE	GOE	GWDIS	GSR
7	DONE	GOE	GSR	GWDIS
8		DONE	GOE, GWDIS, GSR	
9		DONE		GOE, GWDIS, GSR
10		DONE	GWDIS, GSR	GOE
11		DONE	GOE	GWDIS, GSR
12			DONE	GOE, GWDIS, GSR
13		GOE, GWDIS, GSR	DONE	
14		GOE	DONE	GWDIS, GSR
15		GOE, GWDIS	DONE	GSR
16		GWDIS	DONE	GOE, GSR
17		GWDIS, GSR	DONE	GOE
18		GOE, GSR	DONE	GWDIS
19			GOE, GWDIS, GSR	DONE
20		GOE, GWDIS, GSR		DONE
21 (Default)		GOE	GWDIS, GSR	DONE
22		GOE, GWDIS	GSR	DONE
23		GWDIS	GOE, GSR	DONE
24		GWDIS, GSR	GOE	DONE
25		GOE, GSR	GWDIS	DONE

Figure 14-3. Wake Up Sequence to Internal Clock



Synchronous to Internal Done Bit

If the LatticeXP2 device is the only device in the chain, or the last device in a chain, the wake up process should be initiated by the completion of the configuration. Once the configuration is complete, the internal Done bit will be set and then the wake up process will begin.

Synchronous to External DONE Signal

The DONE pin can be selected to delay wake up. If DONE_EX is true then the wake up sequence will be delayed until the DONE pin is high. The device will then follow the WAKE_UP sequence selected. When the device is in the SDM mode the DONE pin is not used and therefore the DONE_EX preference has no effect.

Software Selectable Options

In order to control the configuration of the LatticeXP2 device beyond the default settings, software preferences are used. Table 14-7 is a list of the preferences with their default settings.

Table 14-7. Software Preference List for the LatticeXP2

Preference Name	Default Setting [List of All Settings]
SLAVE_SPI_PORT	DISABLE [disable, enable]
MASTER_SPI_PORT	DISABLE [disable, enable]
DONE_OD	ON [off, on]
DONE_EX	OFF [off, on]
CONFIG_SECURE	OFF [off, on]
WAKE_UP	21 (DONE_EX = off) 4 (DONE_EX = on)
WAKE_ON_LOCK	OFF [off, on]
INBUF	ON [off, on]

Slave SPI Port

In order to use the Slave SPI port while in user mode to read SRAM or Flash memory, the SLAVE_SPI_PORT preference must be set to ENABLE. Setting this preference preserves the Slave SPI port pins so the FPGA can be accessed by an external device while in user mode. This also lets the software know that the Slave SPI port pins are reserved and NOT available for use by the fitter or the user.

Master SPI Port

In order to use the Master SPI Port for configuration, the MASTER_SPI_PORT preference should be set to ENABLE.

Configuration Mode

The device knows which physical sysCONFIG port will be used by reading the state of the CFG[1:0] pins, but the fitter software also needs to know which port will be used. The fitter will determine the configuration mode based upon the setting of the SLAVE_SPI_PORT and the MASTER_SPI_PORT preferences. The user may set these preferences, and the ones listed below, using the Design Planner tool.

There are several additional configuration options, such as overflow, that are set by software. These options are selected by clicking Properties under Generate Bitstream Data in ispLEVER. If either overflow option is selected, then the DONE_EX and WAKE_UP selections will be set to correspond (see Table 14-8). Refer to the Configuration Modes and Options section of this document for more details.

Table 14-8. Overflow Option Defaults

Overflow Option	DONE_EX Preference	WAKE_UP Preference
Off	Off (Default)	Default 21 (user selectable 1 through 25)
Off	On	Default 21 (user selectable 1 through 25)
On (either)	On (automatically set by software)	Default 4 (User selectable 1 through 7)

DONE Open Drain

The “DONE_OD” preference allows the user to configure the DONE pin as an open drain pin. The “DONE_OD” preference is only used for the DONE pin. When the DONE pin is driven low, internally or externally, this indicates that configuration is not complete and the device is not ready for the wake up sequence. Once configuration is complete, with no errors, and the device is ready for wake up, the DONE pin must be driven high. For other devices to be able to control the wake up process an open drain configuration is needed to avoid contention on the DONE pin. The “DONE_OD” preference for the DONE pin defaults to ON. The DONE_OD preference is automatically set to ON if the DONE_EX preference is set to ON. See Table 14-9 for more information on the relationship between DONE_OD and DONE_EX. When the device is in the SDM mode the DONE pin is not used and therefore the DONE_OD and DONE_EX preferences have no effect.

DONE External

The LatticeXP2 device can wake up on its own after the Done bit is set or wait for the DONE pin to be driven high externally. Set DONE_EX = ON to delay wake up until the DONE pin is driven high by an external signal synchronous to the clock; select OFF to synchronously wake up when the internal Done bit is set and ignore any external driving of the DONE pin. The default is DONE_EX = OFF. If DONE_EX is set to ON, DONE_OD will be set to ON. If an external signal is driving the DONE pin it should be open drain as well (an external pull-up resistor may need to be added). See Table 14-9 for more information on the relationship between DONE_OD and DONE_EX.

Table 14-9. Summary of DONE Pin Preferences

DONE_EX ¹	Wake Up Process	DONE_OD ¹
OFF	External DONE ignored	User selected
ON	External DONE low delays	Set to Default (ON)

1. When the device is in the SDM mode the DONE pin is not used and therefore the DONE_OD and DONE_EX preferences have no effect.

Master Clock Selection

When the user has determined that the LatticeXP2 will be a master configuration device (by properly setting the CFG[1:0] pins), and therefore provide the source clocking for configuration, the CCLK pin becomes an output with the frequency set by the value in MCCLK_FREQ. At the start of configuration the device operates at the default

Master Clock Frequency of 2.5 MHz. Some of the first bits in the configuration bitstream are MCCLK_FREQ, once these are read the clock immediately starts operating at the user-defined frequency. The clock frequency is changed using a glitchless switch. The default MCCLK frequency set in the bitstream is 3.1 MHz.

Security

When CONFIG_SECURE is set to ON, NO read back operation will be supported through the sysCONFIG or ispJTAG port of the general contents. The ispJTAG DeviceID area is readable and not considered securable. Default is OFF.

Wake Up Sequence

The WAKE_UP sequence controls three internal signals and the DONE pin. The DONE pin will be driven after configuration and prior to user mode. See the Wake Up Sequence section of this document for an example of the phase controls and information on the wake up selections. The default setting for the WAKE_UP preference is determined by the DONE_EX setting.

Wake Up with DONE_EX = Off (Default Setting)

The WAKE_UP preference for DONE_EX = OFF (default) supports the user selectable options 1 through 25, as shown in Table 14-6. If the user does not select a wake-up sequence, the default, for DONE_EX = OFF, will be wake-up sequence 21.

Wake Up with DONE_EX = On

The WAKE_UP preference for DONE_EX = ON supports the user selectable options 1 through 7, as shown in Table 14-6. If the user does not select a wake-up sequence, the default will be wake-up sequence 4.

Wake On Lock Selection

The Wake On Lock preference determines whether the device will wait for the PLL to lock before beginning the wake-up process.

ON – The device will not wake up until the PLL lock signal for the given PLL is active.

OFF (default) – The device will wake up regardless of the state of the PLL lock signal.

Power Save

An I/O Power Save mode option, called INBUF, is used for the LatticeXP2 device and will deactivate unused input buffers to save power. This only affects comparator type inputs pins (pins that use VREF), like HSTL, SSTL, etc.

The Power Save mode limits some of the functionality of Boundary Scan. For Boundary Scan testing it is recommended that the INBUF global preference be turned ON to activate all unused input buffers.

One Time Programmable Fuse

The LatticeXP2 has a One Time Programmable (OTP) fuse that can be used to prevent the on chip Flash configuration memory from being erased or programmed. This does not prevent the Flash Tag Memory or Flash User memory from being programmed, so these features are still available. The OTP fuse can be set using the Global Configuration options in the ispLEVER Design Planner or it can be set directly using the ispVM[®] System software at the time of download.

User GOE

The LatticeXP2 has a User GOE (Global Output Enable) feature. This allows the I/Os to be held in Boundary scan control after the standard wake-up sequence has completed. User logic determines when the outputs get turned over from Boundary Scan to User Logic control. This user logic input will be through a CIB and is valid for JTAG “wake up” instructions only.

This feature is instantiated by the user as a macro called IOWAKEUP. This macro only has one signal and can only be controlled immediately after the wake-up sequence (not anytime after).

Tag Memory

The TAG Memory is a block of Flash memory which is always available for read or write (programming in Flash terms) through the Slave SPI port. The LatticeXP2 can be in user mode or an un-programmed state (blank device), independent of the CFG[1:0] pin setting. The only exceptions would be when the LatticeXP2 is in BSCAN test or in direct programming mode. During these modes the SPI interface is unavailable because the I/O is under BSCAN control.

The TAG memory is also available through the JTAG port.

Table 14-10 shows the amount of Tag memory available in each LatticeXP2 device. Each LatticeXP2 device has one dedicated row of TAG memory.

Table 14-10. LatticeXP2 Family TAG Memory

Device Density	Tag Memory (Bits)	Tag Memory (Bytes)
XP2-5	632	79
XP2-8	768	96
XP2-17	2184	273
XP2-30	2640	330
XP2-40	3384	423

Note: The Initial Power on Value (INITVAL) for all Flash cells is all 1's.

The TAG memory has the following features and limitations.

- Each row of TAG memory is limited to sequential access only. Once the read command is specified, the entire TAG memory contents are read sequentially in a first-in-first-out manner.
- Data access speed is limited by the speed of the TAG memory which is Flash based.
- The TAG memory comes from the factory erased. It will retain the user assigned value after programming even during power off periods.
- The TAG memory can be read or written using the hardwired JTAG and SPI interface pins.
- The TAG memory is ready to use upon power-up of the LatticeXP2. It does not need any software IP or design loaded into the device to access the TAG memory via the hardwired interface.
- The TAG memory can also be read and modified from the FPGA core logic using the slave-SPI CIB interface pins to emulate an I²C port.
- The TAG memory is always accessible regardless of the security setting of the device.

The TAG memory is designed for storing typically “static” data - data that is not likely to change. This TAG memory can take the place of an EEPROM or simple Flash memory on the PCB which might be used for the following system management and manufacturing control information (listed as examples only):

- Saving Electronic ID codes
- Version management
- Date stamping
- Manufacturing version control
- Asset management and tracking
- System calibration settings
- Device serialization and/or inventory control.

Slave SPI Mode Operation

The Slave SPI Mode interface to the TAG memory supports both SPI Bus Mode 0 and Mode 3 operations. In SPI Bus Mode 0 the CLK pin is normally low when the SPI master is in standby and data is not being transmitted. In SPI Bus Mode 3 the CLK pin is normally high during this condition. In both cases the data at the SISPI pin is sampled on the rising edge of CCLK and the data output on the SOSPI pin is clocked on the falling edge of CCLK.

For more information on using the TAG memory please see TN1137, [LatticeXP2 Memory Usage Guide](#).

User Flash

The User Flash is designed as a non-volatile memory location to back up the data stored in the EBR RAM blocks. This gives the user a reliable method to save the contents of the RAM memory for later use.

The amount of User Flash for LatticeXP2 devices is directly tied to the number of EBR blocks in the device and it scales with density. The User Flash is organized physically as either 1- or 2- separate User Flash Modules. However, all User Flash Modules are logically treated as one unified block.

Table 14-11. User Flash Organization

Block Type	XP2-5K	XP2-8K	XP2-17K	XP2-30K	XP2-40K
Physical UFM blocks	1	1	2	2	2
Logical UFM blocks	1	1	1	1	1

The EBR blocks act as the primary interface for the User Flash. Users do not have direct access to the User Flash.

The contents of the EBR can be saved into the User Flash via a store-to-flash control signal. The EBR contents must be saved into the User Flash when required. Two signals, UFMFAIL and UFMBUSYN are provided for keeping track of the status of the store-to-flash command. If the UFMFAIL signal is low and the UFMBUSYN signal is high then the EBR contents were successfully stored in the Flash memory.

The User Flash memory has the following constraints upon its usage.

- The Store-to-Flash operation has impact only on the EBR RAM (Single-Port, True Dual-Port, Pseudo Dual-Port) configurations.
- During the Store-to-Flash operation, the EBR blocks are unavailable for user operation and the Flash is unavailable for configuration operation.
- No selective EBR storing is supported. A Store-to-Flash operation will store the contents of all EBR blocks.
- Due to silicon limitations the user cannot use Store-to-Flash operation if the SED is operating in an Always mode.
- UFM mode cannot concurrently be used with Transparent/Background mode (Flash or SRAM). The SSPI configuration and verify operations (which are essentially Transparent Mode operations) are initiated by the user and the user needs to ensure that the UFM operation is not requested at the same time.

Table 14-12. Differences Between User Flash and Shadow Flash (EBR) Behavior

Parameter	User Flash	Shadow Flash (EBR)
Read/write access speed	Slow	Fast
Access nature	Sequential	Random
Data access	Limited (refer to Sec13.3)	Infinite or unlimited
Data organization	Sequential, one bit at a time	Flexible, variable data width
Data granularity	Whole UFM block	One EBR block

For more information, please see TN1137, [LatticeXP2 Memory Usage Guide](#).

Technical Support Assistance

Hotline: 1-800-LATTICE (North America)
 +1-503-268-8001 (Outside North America)
 e-mail: techsupport@latticesemi.com
 Internet: www.latticesemi.com

Revision History

Date	Version	Change Summary
February 2007	01.0	Initial release.
May 2007	01.1	Updated sysCONFIG Pin descriptions
		Added footnote to Summary of DONE Pin Preferences table.
January 2008	01.2	Updated Slave SPI Port information and PROGRAMN pin usage.
		Removed PERSISTENT and CONFIG_MODE preferences.
		Added SLAVE_SPI_PORT and MASTER_SPI_PORT preferences.
February 2008	01.3	Corrected SLAVE_SPI_PORT settings in ispJTAG mode section.
		Corrected INITN pin description.
		Corrected SDM configuration description in SRAM section.
November 2008	01.4	Updated Dual-Purpose sysCONFIG Pins text section.
April 2009	01.5	Updated LatticeXP2 Configuration Modes table.
June 2009	01.6	Added clarification to MCCLK frequency selection.
July 2011	01.7	Updated LatticeXP2 Configuration Modes table.

Introduction

Unlike a volatile FPGA, which requires an external boot-prom to store configuration data, the LatticeXP2™ devices are non-volatile and have on-chip configuration Flash. Once programmed (either by JTAG or SPI port), this data is a part of the FPGA device and can be used to self-download the SRAM portion without requiring any additional external boot prom. Hence it is inherently more secure than volatile FPGAs. Like the LatticeECP2/M, the LatticeXP2 family also offers the 128-bit Advanced Encryption Standard (AES) to protect the externally stored programming file. The user has total control over the 128-bit key and no special voltages are required to maintain the key within the FPGA. Additional security enhancement for the LatticeXP2 includes:

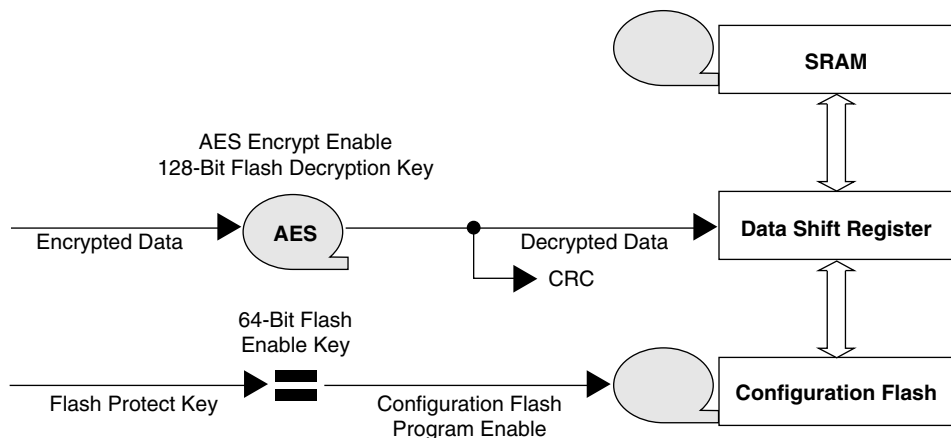
- A security bit for the Configuration and User Flash
- One-Time-Programmable (OTP) or Permanent Lock capability
- Flash Protect

This document explains the encryption and security features and how to take advantage of them.

Encryption/Decryption Flow

The LatticeXP2 supports both encrypted and non-encrypted JEDEC files. Since the non-encrypted flow is covered in TN1141, [LatticeXP2 sysCONFIG™ Usage Guide](#), this document will concentrate on the additional steps needed for the encrypted flow. The encrypted flow adds only two steps to the normal FPGA design flow, encryption of the configuration JEDEC file and programming the encryption key into the LatticeXP2. Figure 15-1 is a block diagram describing the LatticeXP2 encryption data paths that will be used throughout this document.

Figure 15-1. Encryption Block Diagram along with Flash Protect



Encrypting the JEDEC File

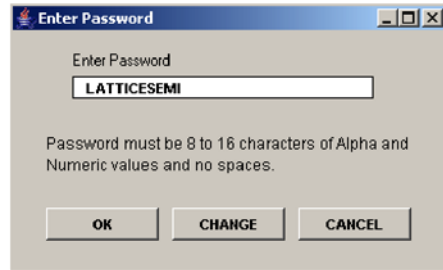
As with any other Lattice FPGA design flow, the design engineer must first create the design using the ispLEVER® design tool suite. The design is synthesized, mapped, placed and routed, and verified. Once the user is satisfied with the design, the final JEDEC file is ready for FPGA programming. This final JEDEC file is used to secure the design.

The JEDEC file can be encrypted using ispLEVER by going to the **Tools -> Security Settings** pull-down menu or by using the Universal File Writer (ispUFW), which is part of the Lattice ispVM® System tool suite.

ispLEVER Flow

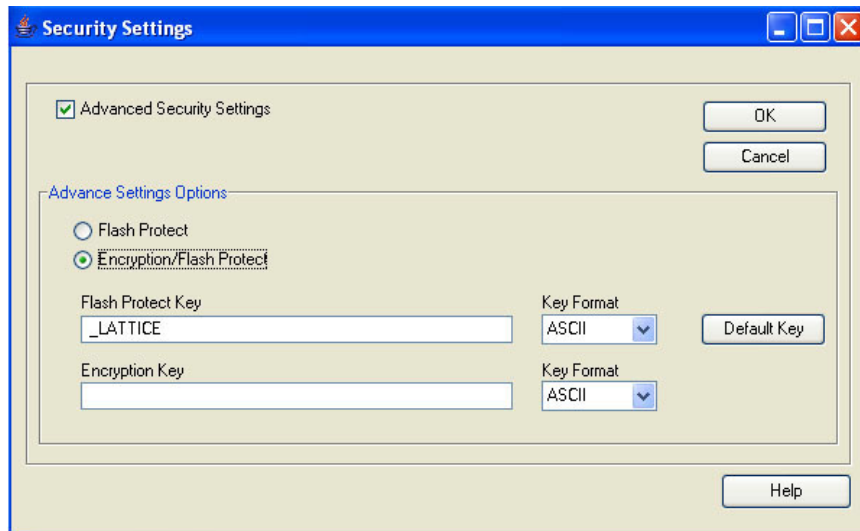
1. As mentioned above, to access the LatticeXP2 security setting GUI, go to **Project Navigator -> Tools -> Security Settings**. A password is required before entering the security features GUI section of the LatticeXP2.

Figure 15-2. Password Prompt with Default Password



2. This Password GUI prompt will automatically show the default password “LATTICESEMI”. The default password is in place for users who do not want to remember any administrative password, and especially for those who want to use the CONFIG_SECURE setting only. Users have the option of changing the password. It is the user’s responsibility to track all the keys and passwords since they will not be stored in the design files.

Figure 15-3. Security Settings



3. Once the user has selected security features, encrypted files will then be generated.

ispVM Flow

1. Start **ispUFW**. You can start ispUFW from the **Start -> Programs -> Lattice Semiconductor** menu in Windows. You will see a window that looks similar to Figure 15-4. You can also launch the ispUFW from the ispVM GUI by clicking on the UFW button on the toolbar (shown in Figure 15-5). Select **JEDEC** as the output file format, as shown in Figure 15-4.

Figure 15-4. Universal File Writer

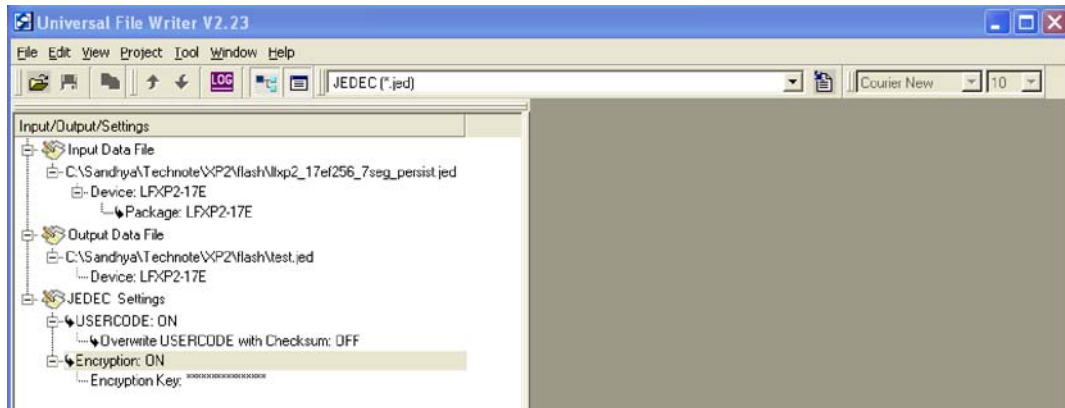
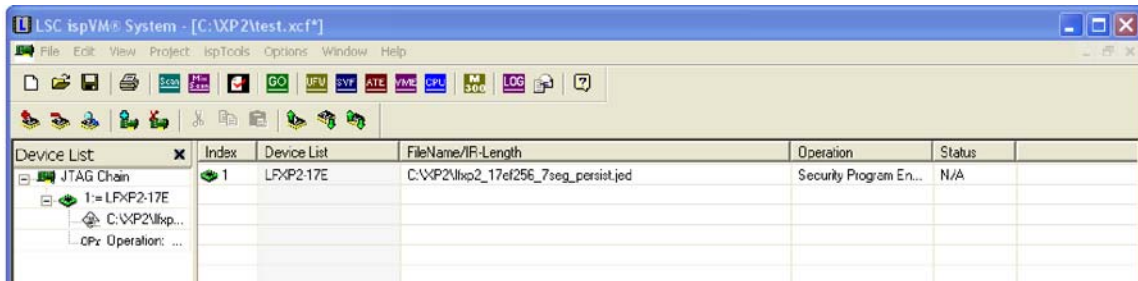
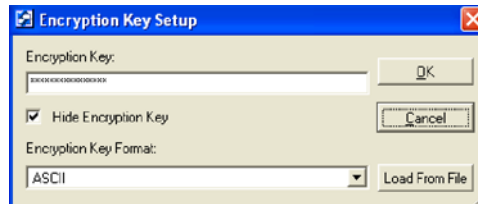


Figure 15-5. ispVM Main Window




2. Double-click on **Input Data File** and browse to the non-encrypted JEDEC file created using ispLEVER. Double-click on **Output Data File** and select an output file name. Right-click on **Encryption** and select **ON**. Right-click on **Encryption Key** and select **Edit Encryption Key**. You will see a window that looks similar to Figure 15-6.

Figure 15-6. Encryption Dialog Window



3. Enter the desired 128-bit encryption key. The key can be entered in Hexadecimal or ASCII. Hex supports 0 through F and is not case sensitive. ASCII supports all printable (ASCII codes 30 through 126) characters. You may also import the 128-bit encryption key from the <Project_Name>.bek generated by ispLEVER. To do so, click on the **Load From File** button shown in Figure 15-6. Click On **OK** to go back to the main ispUFW window.

Note: Be sure to remember this key, as Lattice cannot recover lost keys.

4. From the ispUFW menu bar click on **Project -> Generate** or the  icon to create the encrypted JEDEC file.
5. Before the LatticeXP2 can configure with the encrypted JEDEC file, the 128-bit encryption key used to encrypt the JEDEC file must be programmed into the LatticeXP2 device.

Programming the Key into the Device

The next step is to program the 128-bit encryption key into the LatticeXP2. Note that this step is separated from JEDEC file encryption to allow flexibility in the manufacturing flow. This flow adds to design security and it allows the user to control over-building of a design. Over-building occurs when a third party builds more boards than are authorized and sells them to grey market customers. If the key is programmed at the factory, then the factory controls the number of working boards that enter the market. The LatticeXP2 will only configure from a file that has been encrypted with the same 128-bit encryption key that is programmed into the LatticeXP2.

To program the 128-bit encryption key into the LatticeXP2, proceed as follows.

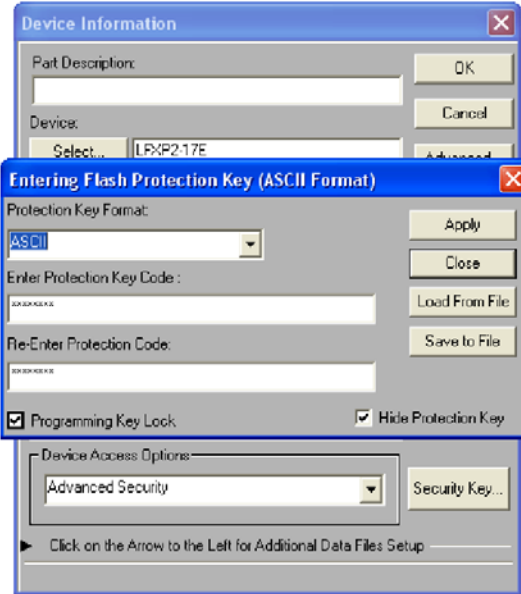
1. Start ispVM. You can start ispVM from the **Start -> Programs -> Lattice Semiconductor** menu in Windows or from the ispLEVER GUI. You will see a window that looks similar to Figure 15-5.
2. Attach a Lattice ispDOWNLOAD® cable from a PC to the JTAG connector wired to the LatticeXP2.
Note: The 128-bit encryption key can only be programmed into the LatticeXP2 using the JTAG port.
3. Apply power to the board.
4. If the window does not show the board's JTAG chain, then proceed as follows. Otherwise, proceed to step number 5.
 - a. Click the SCAN button in the toolbar to find all Lattice devices in the JTAG chain. The chain shown in Figure 15-5 has only one device, the LatticeXP2.

Figure 15-7. ispVM Device information GUI



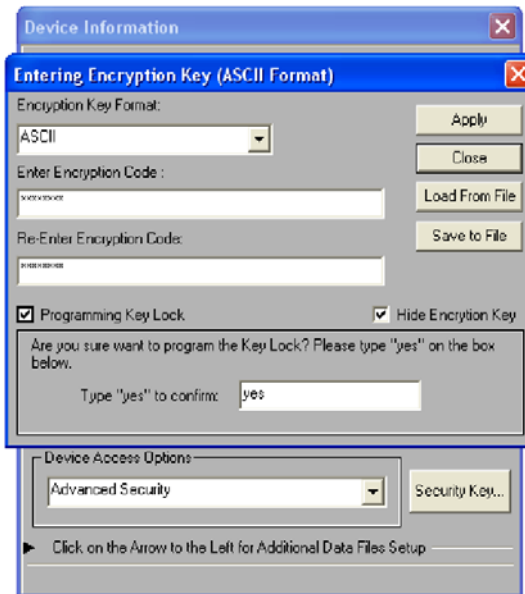
5. Double-click on the line in the chain containing the LatticeXP2. This will open the **Device Information** window (see Figure 15-7). From the **Device Access Options** drop-down box, select **Advanced Security Mode**, then click on the **Security Key** button to the right. The window will look similar to Figure 15-8.

Figure 15-8. ispVM Flash Protection Key



6. Enter the 64-bit Flash Protect key or load it from the file (<Project_Name>.key). You can save this to a file by clicking **Save to File** button. Once you click **Apply**, you will be asked to enter the 128-bit encryption as shown in Figure 15-9.

Figure 15-9. ispVM Encryption Key GUI



7. Now enter the desired 128-bit encryption key. The key can be entered in Hexadecimal or ASCII. Hex supports 0 through F and is not case sensitive. ASCII supports all printable (ASCII codes 30 through 126) characters. This key must be the same as the key used to encrypt the JEDEC file. The LatticeXP2 will only configure from an encrypted JEDEC file whose 128-bit encryption key matches the one loaded into the LatticeXP2.

Note: Be sure to remember this key. Once the Key Lock is programmed, Lattice Semiconductor cannot read back the 128-bit encryption key.

- a. The 128-bit encryption key can be saved to a file using the **Save to File** button. The 128-bit encryption key will be encrypted using an 8-character file password that the user selects. The name of the file will be **<Project_Name>.bek**. In the future, instead of entering the 128-bit key, simply click on **Load from File** and provide the file password.
8. Programming the Key Lock secures the 128-bit encryption key. When satisfied, type **Yes** to confirm, and then click **Apply**. Once the Key Lock is programmed and the device is power cycled, the 128-bit encryption key cannot be read out of the device.
9. From the main ispVM window (Figure 15-5) click on the green **GO** button on the toolbar to program the 128-bit encryption key into the LatticeXP2. When complete, the LatticeXP2 will only configure from a JEDEC file encrypted with a key that exactly matches the one just programmed.

Security Bit for the Configuration and User Flash (CONFIG_SECURE)

The CONFIG_SECURE setting is located in the GUI setting (Figure 15-3) mentioned in the previous section. After security for the device is selected, NO readback operation is supported through the sysCONFIG port or ispJTAG™ port of the general contents. This is considered the lowest level of security.

Advanced Security Settings

Selecting Advanced Security Settings will enable more security features. One-Time Programmable (OTP), Flash Protect and Encryption as shown in Figure 15-3. These settings are mutually exclusive. Selecting one or the other may nullify other fields that are not required for each particular security settings.

One-Time Programmable (OTP) or Permanent Lock

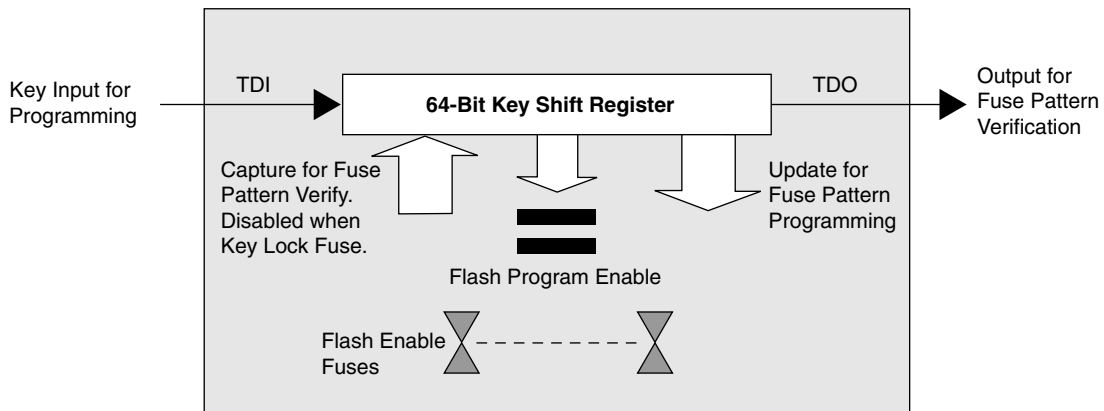
One-Time Programmable (OTP) or permanent lock is another feature that provides the highest level of security. This form of security is currently available only for LatticeXP2 devices. If OTP fuses are programmed it permanently prevents write access to the devices contents. Users must be aware before using this feature that once the OTP is programmed it is not possible to erase or reprogram the device or its security settings. **As the name implies, it is a one-time event only.** Table 15-1 specifies the behavior of the chip when security bit and the OTP bit are programmed.

Table 15-1. Security and OTP Bit Settings

Security CONFIG_SECURE	OTP Bit	Action	Re-Program	Read Back	Erase
0	0	Do nothing	Yes	Yes	Yes
0	1	Inhibit Erase or Programming	No	Yes	No
1	0	Inhibit Readback	Yes	No	Yes
1	1	Inhibit Erase, Programming or Readback	No	No	No

Flash Protect

Figure 15-10. Flash Protect



The next highest level of security for the LatticeXP2 is the 64-bit Flash Protect feature. The 64-bit Flash protect key is used to protect the embedded configuration flash from accidental or unauthorized erasure or reprogramming. This feature does not prevent the device from read back. Therefore, user is given the option to turn ON the CONFIG_SECURE feature.

The default 64-bit Flash protect key is “_LATTICE”. Users can also enter their own 64-bit Flash protect key. If there is an existing 64-bit Flash protect key in the Flash Protect key file, the 64-bit Flash protect key can be imported for the Flash Protect key file (<Project_Name>.key). The ispVM GUI will display the Flash Protect key in the same format selected when the 64-bit Flash Protect key was created. Users have the option to change the 64-bit Flash protect key using the default by clicking on the **Default Key** button.

The ispVM software will automatically check the LatticeXP2 device to see if the Flash Protect feature is enabled. If it is, ispVM software will prompt the user to enter the 64-bit Flash Protect key before performing an erase or programming operation. If the 64-bit Flash Protect programmed in the device matches the 64-bit Flash Protect key entered in the ispVM GUI, the device can be erased and reprogrammed. If the keys are lost, the programmed device will be an OTP device. The re-programming of the device requires the user to enter the 64-bit Flash Protect key programmed into the device first. If it matches the 64-bit key (stored in the device), the device will enter the programming mode for erasure and re-programming of the Flash as well as the SRAM fuses.

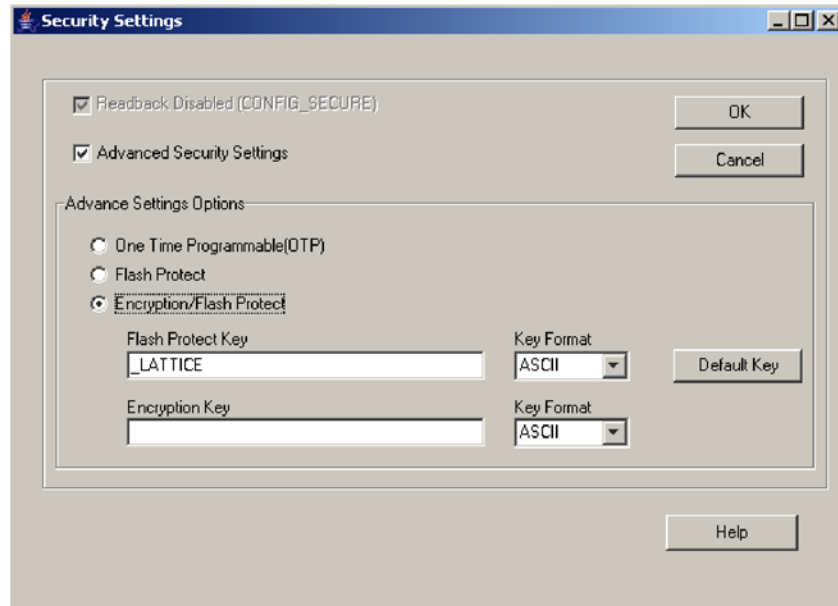
Note: The Flash Protect key cannot be the same as the Encryption Key. The Flash Protect key is 64 bits and the encryption key is 128 bits.

Changing Flash Protect

If the user decides to change the key, it can be done in the key field. The newly created Flash Protect key file (<Project_Name>.key) contains the new 64-bit Flash Protect key and is now ready to be programmed into a device.

The user can also revert back to using the default password by clicking on the **Default** button next to the Flash Protect Key. The default password is “_LATTICE”.

Figure 15-11. Encryption/Flash Protect Advanced Feature



Encryption

The LatticeXP2 family of devices uses the 128-bit Advanced Encryption Standard (AES) security mechanism and has a built-in AES decryption engine hardwired in the core and embedded in the device. The JEDEC file must be encrypted with the same 128-bit AES encryption key programmed into the device in order to configure it. The file is shifted into the device's JTAG port using ispVM System software. The device decrypts the JEDEC file using the 128-bit encryption key programmed into the device. The device can only be programmed if the 128-bit encryption key programmed into the device matches the 128-bit encryption key used to encrypt the JEDEC file.

Usercode in Encrypted Files

Note: The usercode is stored as a comment and will be programmed into the device's usercode.

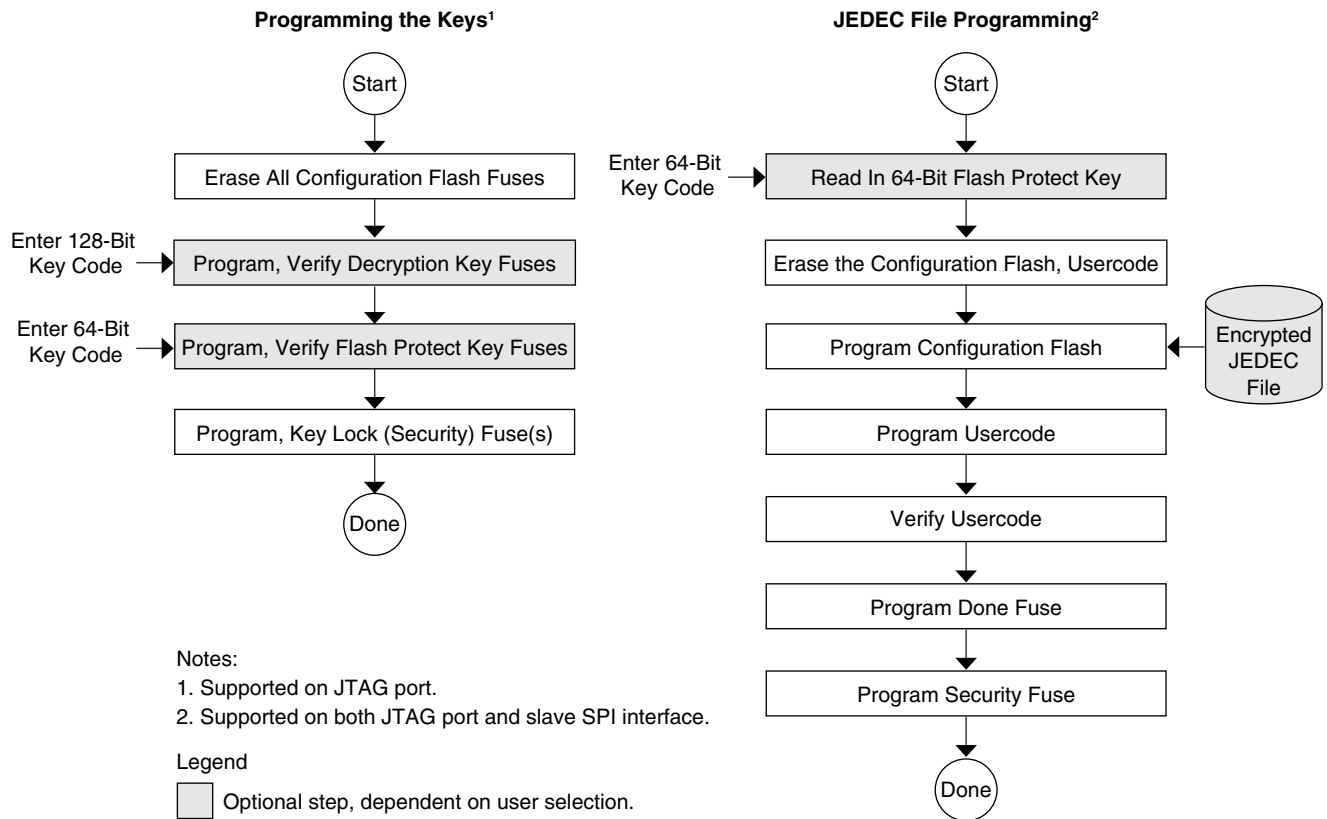
If the USERCODE is used as a custom device ID (MY_ASSP), the U field will still be used in the JEDEC file for the CRC and the value of the Custom Device ID set by the user will be part of the comment field.

The USERCODE will be available for readback regardless of the encryption setting (the USERCODE is always available for readback). Readback of the decrypted JEDEC file from a device through the JTAG port is not permitted because the security fuse is programmed when Encryption/Flash Protect is selected. Encryption will not affect the functionality of the SED

Decryption Flow

The decryption flow is a much simpler process. Start by programming the device with the 128-bit Encryption Key and the 64-bit Flash Protect Key fuses. Once the keys are programmed, the device can then be programmed with the encrypted JEDEC file.

Figure 15-12. Decryption Flow



Verifying a Configuration

If the Flash is programmed directly, the data is first decrypted and then the FPGA performs a CRC on the data. If all CRCs pass, configuration was successful. If a CRC does not pass, the Done fuse is not programmed.

References

- TN1141, [LatticeXP2 sysCONFIG Usage Guide](#)
- Federal Information Processing Standard Publication 197, Nov. 26, 2001. Advanced Encryption Standard (AES)

Technical Support Assistance

Hotline: 1-800-LATTICE (North America)
 +1-503-268-8001 (Outside North America)
 e-mail: techsupport@latticesemi.com
 Internet: www.latticesemi.com

Revision History

Date	Version	Change Summary
February 2007	01.0	Initial release.
May 2008	01.1	Updated ispLEVER Security Settings screen shot.

Introduction

Soft errors occur when high-energy charged particles alter the stored charge in a memory cell in an electronic circuit. The phenomenon first became an issue in DRAM, requiring error detection and correction for large memory systems in high-reliability applications. As device geometries have continued to shrink, the probability of soft errors in SRAM has become significant for some systems. Designers are using a variety of approaches to minimize the effects of soft errors on system behavior.

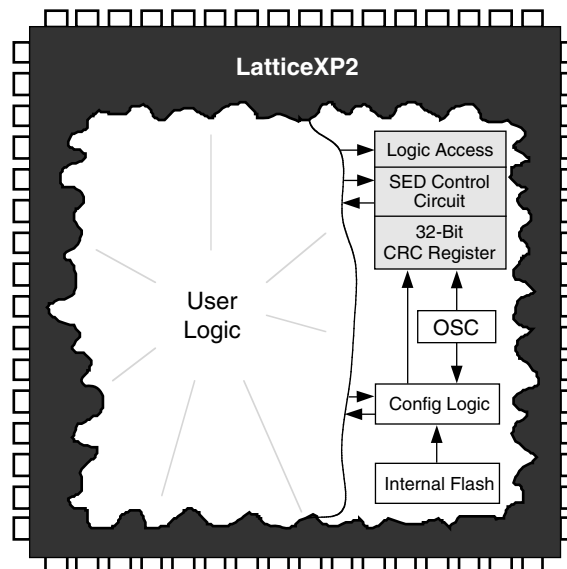
SRAM-based FPGAs store logic configuration data in SRAM cells. As the number and density of SRAM cells in an FPGA increase, the probability that a soft error will alter the programmed logical behavior of the system increases. A number of approaches have been taken to address this issue, but most involve Intellectual Property (IP) cores that the user instantiates into the logic of their design, using valuable resources and possibly affecting design performance. The LatticeXP2 devices have a hardware implemented soft error detector which does not affect performance or heat dissipation of the devices.

This document describes the hardware based soft error detect (SED) approach taken by Lattice Semiconductor for LatticeXP2™ FPGAs.

SED Overview

The SED hardware in the LatticeXP2 devices consists of an access point to FPGA configuration memory, a controller circuit, and a 32-bit register to store the CRC for a given bitstream (see Figure 16-1). The SED hardware reads serial data from the FPGA's configuration memory and calculates a CRC. The data that is read, and the CRC that is calculated, does not include EBR memory or PFUs used as RAM. The calculated CRC is then compared with the expected CRC that was stored in the 32-bit register. If the CRC values match it indicates that there has been no configuration memory corruption, but if the values differ an error signal is generated. SED checking does not impact the performance or operation of the user logic.

Figure 16-1. System Block Diagram



Note that the calculated CRC is based on the particular arrangement of configuration memory for a particular design. Consequently, the expected CRC results cannot be specified until after the design is placed and routed. The ispLEVER® bitstream generation software analyzes the configuration of a placed and routed design and updates the 32-bit SED CRC register contents during bitstream generation.

The following sections describe the LatticeXP2 SED implementation and flow, along with some sample code to get started with.

Basic SED and One-shot SED Modes

Basic SED

Basic SED checks the CRC for all bits. For Basic SED (SEDBA), the inputs are SEDCLKIN, SEDENABLE, SEDSTART, and SEDFRCERRN. The output signals are SEDCLKOUT, SEDDONE, SEDINPROG, and SEDERR.

Once an error is detected the SEDERR signal will stay high. SED supports the following Soft Error Corrections (SEC): “Do Nothing” or on-demand user reconfiguration by pulling the PROGAMN pin low from another device.

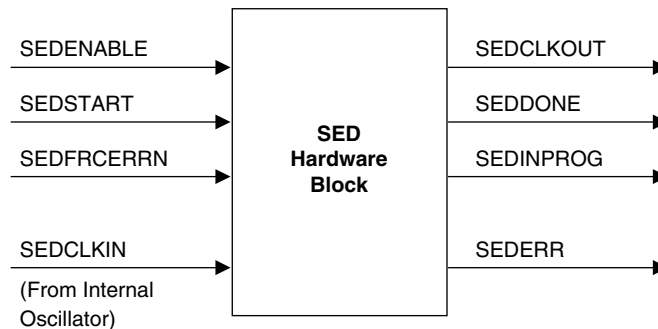
One-Shot SED

The One-Shot SED setting is based on the One-Shot Fuse. The module (SEDBB) has no input ports. The output signals are SEDDONE, SEDINPROG, and SEDERR. At a minimum, the user must connect SEDERR to an I/O pin in order to detect an error.

Hardware Description

As shown in Figure 16-2, the LatticeXP2 SED hardware has several inputs and outputs that allow the user to control, and monitor, SED behavior.

Figure 16-2. Signal Block Diagram



Signal Descriptions

Table 16-1. SED Signal Descriptions

Signal Name	Direction	Active	Description
SEDCLKIN	Input	N/A	Clock
SEDENABLE	Input	High	SED enable
SEDCLKOUT	Output	N/A	Output clock
SEDSTART	Input	High	Start SED cycle
SEDINPROG	Output	High	SED cycle is in progress
SEDDONE	Output	High	SED cycle is complete
SEDFRCERRN	Input	Low	Force an SED error flag
SEDERR	Output	High	SED error flag

SEDCLKIN

Clock input to the SED hardware.

When external SPI configuration is used, this clock is derived from the LatticeXP2's on-chip oscillator. The on-chip oscillator's output goes through a divider to create MCCLK. MCCLK goes through another divider to create SEDCLKIN.

The software default for MCCLK is 2.5 MHz, but this can be modified using the MCCLK_FREQ global preference in ispLEVER's pre-map Design Planner (see TN1141, [LatticeXP2 sysCONFIG Usage Guide](#) for supported values of MCCLK). It has a range of 2.5 MHz to 66 MHz.

The divider for SEDCLKIN can be set to 1, 2, 4, 8, 16 or 32. The default is 1, so the default SEDCLKIN frequency is 2.5 MHz. The divider value can be set using a parameter, see the example code at the end of this document.

If internal Flash configuration mode is used, SEDCLKIN can only be set to 3.1 MHz with a divider setting of 1.

Note that SEDCLKIN is an internally generated signal, so it should not be included as an input in the user design. See the examples at the end of this document. Also note that while inputs to the SED block are clocked using SEDCLKIN, no attempt has been made to synchronize between clock domains. If this is a concern for a particular design then the designer will need to provide synchronization.


OSC_DIV

Options: 1, 2, 4, 8, 16 or 32 for external configuration. Only 1 can be selected for internal configuration. The CLK that drives the SED module will be set by MCCLK/OSC_DIV.

SEDENABLE

Level-sensitive signal which starts SED checking.

Table 16-2. SEDENABLE

State	Description
	Enables output of SEDCLKOUT, arms SED hardware.

SEDCLKOUT

Gated version of SEDCLKIN, SEDCLKOUT is gated by SEDENABLE.

SEDSTART

Active high input to the SED hardware, sampled on the rising edge of SEDCLKIN.

Table 16-3. SEDSTART

State	Description
1	Start error detection. Must be high a minimum of one SEDCLKIN period.
0	No action.

SEDFRCERRN

Active high input to the SED hardware, sampled on the rising edge of SEDCLKIN.

Table 16-4. SEDFRCERRN

State	Description
1	No action.
0	Forces SEDERR high, simulating an SED error.

SEDINPROG

Active high output from the SED hardware, clocked out on the rising edge of SEDCLKOUT.

Table 16-5. SEDINPROG

State	Description
1	SED checking is in progress, goes high on the clock following SEDSTART high.
0	SED checking is not active.

SEDDONE

Active high output from the SED hardware, clocked out on the rising edge of SEDCLKOUT.

Table 16-6. SEDDONE

State	Description
1	SED checking is complete. Reset by a high on SEDSTART or a low on SEDENABLE.
0	SED checking is not complete.

SEDERR

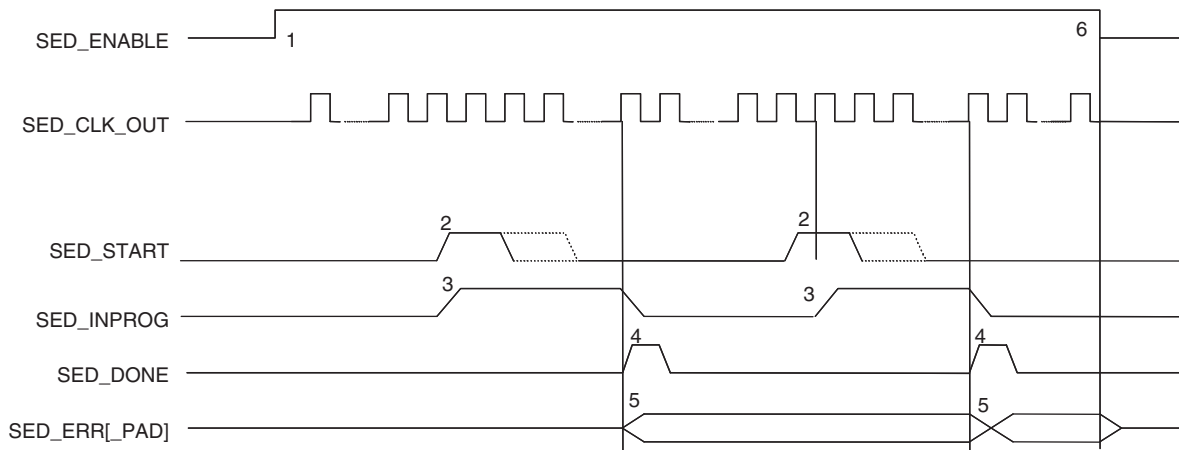
Active high output from the SED hardware, clocked out on the rising edge of SEDCLKOUT.

Table 16-7. SEDERR

State	Description
1	SED has detected an error. Reset by SEDENABLE going low.
0	SED has not detected an error.

SED Flow

Figure 16-3. Timing Diagram

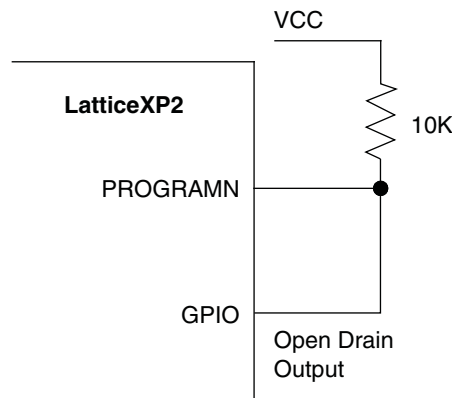


The general SED flow is as follows.

1. User logic sets SEDENABLE high. This signal may be tied high if desired.
2. User logic sets SEDSTART high. SEDINPROG goes high. If SEDDONE is already high it is driven low. SEDSTART may be tied high to enable continuous SED checking.
3. SED starts reading back data from the configuration SRAM.
4. SED finishes checking. SEDERR is updated, SEDINPROG goes low, and SEDDONE goes high.
5. If SEDERR is driven high there are only two ways to reset it, drive SEDENABLE low or reconfigure the FPGA.
6. SEDENABLE goes low when/if the user specifies, and SED is no longer in use.

The user has two choices when an error is detected, ignore the error, and possibly log it, or reconfigure the FPGA. Reconfiguration can be accomplished by driving the PROGRAMN pin low. This can be done by externally connecting a GPIO pin to PROGRAMN.

Figure 16-4. Example Schematic



SED Run Time

The amount of time needed to perform an SED check depends on the density of the device and the frequency of SEDCLKIN. There will also be some overhead time for calculation, but it is fairly short in comparison. An approximation of the time required can be found by using the following formula:

$$\text{Maxbits} / \text{SEDCLKIN} = \text{Time}$$

Maxbits is in mega-bits and depends on the density of the FPGA (see Table 16-8). SEDCLKIN is frequency in MHz. Time is in seconds

For example, for a design using a LatticeXP2 with 5K look-up tables and the SEDCLKIN is the software default of 3.1 MHz:

$$1.236 \text{ Mbits} / 3.1 \text{ MHz} = 398.71 \text{ ms}$$

In this example, SED checking will take approximately 398.71 ms. Remember that this happens in the background and does not affect user logic performance.

Note that the internal oscillator used to generate SEDCLKIN can vary by $\pm 30\%$.

Table 16-8. SED Run Time

Device	XP2-5K	XP2-8K	XP2-17K	XP2-30K	XP2-40K
Density	1.236M	1.954M	3.636M	5.964M	8.304M
66MHz	18.7ms	29.6ms	55.1ms	90.4ms	126.2ms
50MHz	24.7ms	39.1ms	72.7ms	119.3ms	166.1ms
3.1MHz	399ms	624ms	1.173s	1.924s	2.679s
2.5MHz	495ms	782ms	1.455s	2.395s	3.325s

Sample Code

The following simple example code shows how to instantiate the SED. In the example the SED is always on and always running, and the outputs of the SED hardware have been routed to FPGA output pins. Note that the SEDBA primitive is part of ispLEVER 6.1 or later.

Basic SED VHDL Example

```

library ieee;
use ieee.std_logic_1164.all;
use ieee.std_logic_unsigned.all;

entity example is
  port (
    sed_done      : out std_logic;
    sed_in_prog   : out std_logic;
    sed_clk_out   : out std_logic;
    sed_out       : out std_logic);
end;

architecture behavioral of example is

  component SEDBA -- SED component
    generic (OSC_DIV : integer := 1); -- set SEDCLKIN divider
    port (
      SEDENABLE      : in std_logic;
      SEDSTART       : in std_logic;
      SEDFRCERRN     : in std_logic;
      SEDERR         : out std_logic;
      SEDDONE        : out std_logic;
      SEDINPROG      : out std_logic;
      SEDCLKOUT      : out std_logic);
  end component;

begin

  isnt1: SEDBA
    generic map (OSC_DIV=> "1")
    port map (
      SEDENABLE      => '1',    -- tied high
      SEDSTART       => '1',    -- tied high
      SEDFRCERRN     => '1',    -- tied high
      SEDERR         => sed_out, -- wired to an output
      SEDDONE        => sed_done, -- wired to an output
      SEDINPROG      => sed_in_prog, -- wired to an output
      SEDCLKOUT      => sed_clk_out ); -- wired to an output

end behavioral ;

```

One Shot SED in VHDL

```
library ieee;
use ieee.std_logic_1164.all;
use ieee.std_logic_unsigned.all;

entity example is
  port (
    sed_done : out std_logic;
    sed_in_prog : out std_logic;
    sed_out : out std_logic);
end;

architecture behavioral of example is
  component SEDBB -- This is for One Shot SED
    generic (OSC_DIV : integer := 1); -- set SEDCLKIN divider
    port (
      SEDDONE : out std_logic;
      SEDINPROG : out std_logic;
      SEDERR : out std_logic
    );
  end component;

begin

  isnt1: SEDBB
  generic map (OSC_DIV=> "1")
  port map (
    SEDERR => sed_out, -- wired to an output
    SEDDONE => sed_done, -- wired to an output
    SEDINPROG => sed_in_prog); -- wired to an output
end behavioral ;
```

Basic SED Verilog Example

```
module example (
    sed_done,
    sed_in_prog,
    sed_clk_out,
    sed_out) ;

output sed_done;
output sed_in_prog;
output sed_clk_out;
output sed_out;

assign V_hi = 1'b1;
assign V_lo = 1'b0;

SEDDBA
    #(.OSC_DIV(1))

SED_IP(
    .SEDENABLE(V_hi), // always high
    .SEDSTART(V_hi), // always high
    .SEDFRCERRN(V_hi), // always high
    .SEDERR(sed_out), // wired to an output
    .SEDDONE(sed_done), // wired to an output
    .SEDINPROG(sed_in_prog), // wired to an output
    .SEDCLKOUT(sed_clk_out)); // wired to an output

endmodule
```

One-Shot SED in Verilog

```
module example (
    sed_done,
    sed_in_prog,
    sed_clk_out,
    sed_out) ;

output sed_done;
output sed_in_Prog;
output sed_clk_out;
output sed_out;

assign V_hi = 1'b1;
assign V_lo = 1'b0;

SEDBB
    #(.OSC_DIV(1))

    SED_IP(
        .SEDDONE(sed_done),
        .SEDINPROG(sed_inprog),
        .SEDERR(sed_out)
    );
endmodule

module SEDBB (SEDERR, SEDDONE, SEDINPROG);
    output SEDERR, SEDDONE, SEDINPROG ;
endmodule
```

Technical Support Assistance

Hotline: 1-800-LATTICE (North America)
+1-503-268-8001 (Outside North America)
e-mail: techsupport@latticesemi.com
Internet: www.latticesemi.com

Revision History

Date	Version	Change Summary
February 2007	01.0	Initial release.
January 2008	01.1	Updated code in the following sections: Basic SED VHDL Example, One Shot SED in VHDL, Basic SED Verilog Example, One Shot SED in Verilog.
January 2008	01.2	Updated OSC_DIV text section.
		Updated SED Flow text section.
February 2008	01.3	Updated Timing Diagram.
March 2008	01.4	Updated SEDCLKIN and OSC_DIV text sections and SEDENABLE table.
April 2008	01.5	Corrected "SEDFRCERR" to read "SEDFRCERRN".
July 2008	01.6	Added footnote to SED Flow timing diagram.
August 2008	01.7	Updated SEDCLKIN and OSC_DIV text sections.
		Updated SED Run Time text section and SED Run Time table.
January 2009	01.8	Updated SED Flow text section. Added Example Schematic diagram.
January 2009	01.9	Updated Basic SED Verilog Example code.
		Updated One-Shot SED in Verilog code.
September 2009	02.0	Updated Basic SED VHDL Example code.
		Updated One-Shot SED in VHDL code.

Introduction

Lattice is the inventor and the leader in the (ISP) In-System Programming PLD technology. One of the visions and ultimate goal of ISP is the live field upgrade of a mission critical system. Being a mission critical system, the field upgrade process must meet the following criteria.

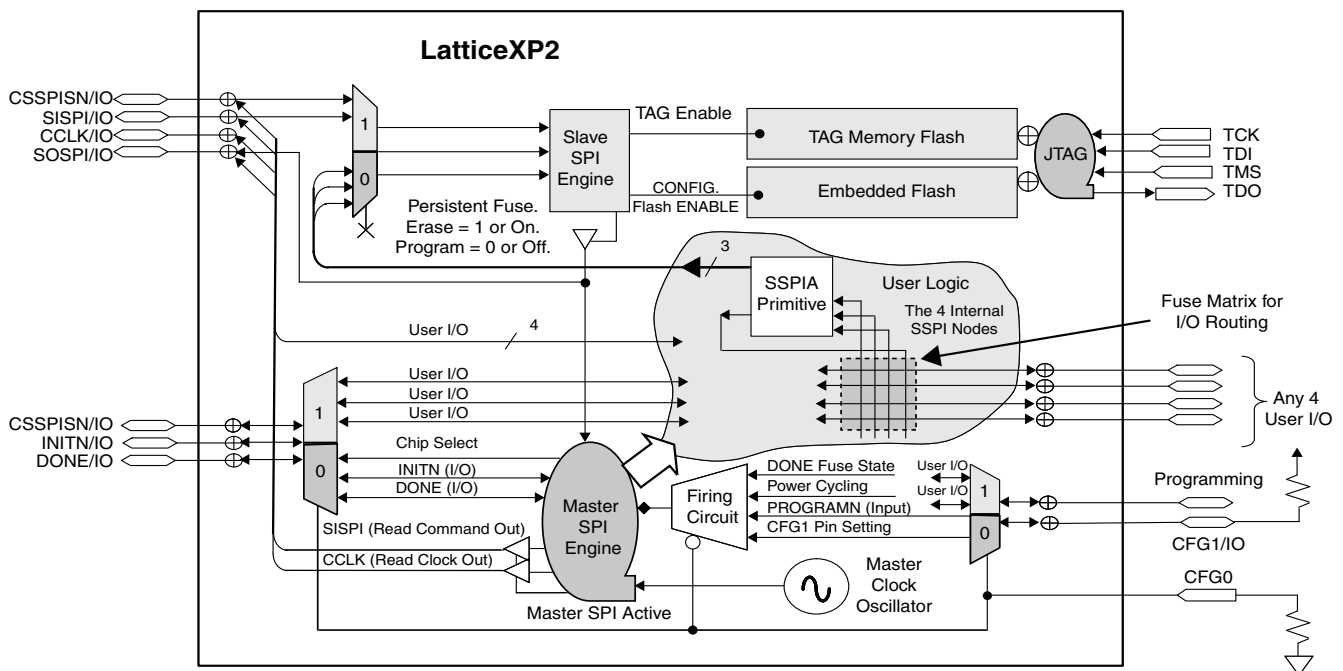
1. It must be extremely reliable as any form of programming failure is not acceptable.
2. The system must remain functional throughout as even a small interruption is not acceptable including transitioning from the current pattern to the newly updated pattern.
3. Various security features will be required to protect the IP (Intellectual Property) of the mission critical system.

With the introduction of the LatticeXP2 Flash based non-volatile FPGA family, Lattice deliver the first and only ISP products with all the critical attributes required to provide the ultimate solution of ISP, reliable and secure live field upgrade of a mission critical system. The critical attributes are:

1. Dual boot feature and Flash Protect to provide the extremely reliable system.
2. Instant-on, Background Programming, and TransFR features provide seamless live field upgrade.
3. Key Protect and Encryption to protect users' Intellectual Property.

The block diagram of the LatticeXP2 device shown in Figure 17-1 provides a bird's eye view for the unique co-existence of the Master SPI port with the Slave SPI port. The detail of the LatticeXP2 Slave SPI interface can be found in the document dedicated on the subject. TransFR, the must have feature for the mission critical field upgrade, is available only on the JTAG port. Therefore, the programming activities described in this document will focus on the JTAG port only.

Figure 17-1. LatticeXP2 Master SPI and Slave SPI Ports



Complementing its internal Flash configuration memory, the LatticeXP2™ also provides support for inexpensive SPI Flash devices. This provides the ability to use an alternate or backup bitstream, referred to as the “golden” image. The device always attempts to load the primary image from the selected source. Should any unexpected interrupts occur during configuration of the primary image, the LatticeXP2 device will automatically switch sources and configure from the golden image location.

Dual Boot Feature

One of the biggest risks in the field upgrade applications is disruption during the field grade process. Examples:

1. Power disruption.
2. Communications disruption.
3. Data file corruption.

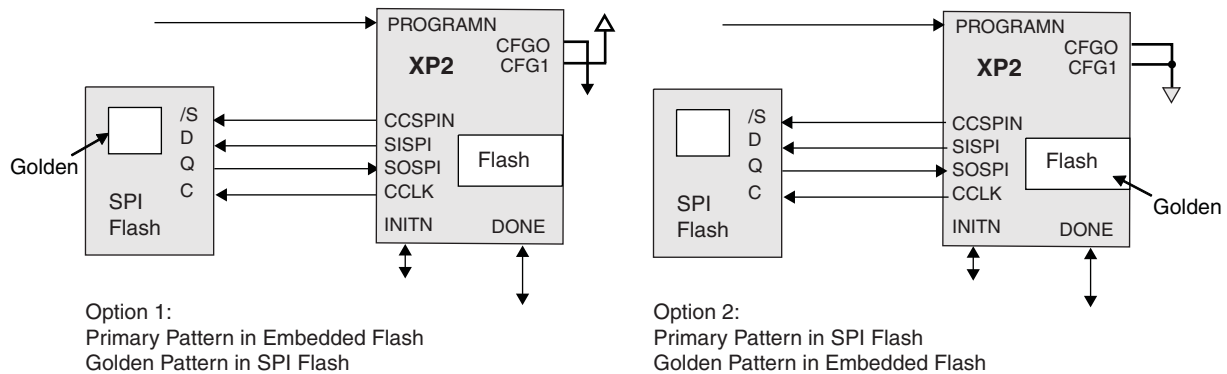
To eliminate the risk completely, the device will automatically switch to load from the second known good (Golden) pattern when the first pattern is corrupted. This is the Dual Boot feature. Thus, the main purpose of the Dual Boot feature is to enhance the reliability of a field upgradeable system.

The LatticeXP2 devices are known as non-volatile devices for the device has an embedded Flash block storing the configuration pattern. The advantage of a non-volatile device is the extremely fast instant-on time, made possible by the massive parallel loading from the embedded Flash into the SRAM block of the device.

To keep the cost as low as possible, the LatticeXP2 only has enough embedded Flash to store one pattern. To enable the dual boot feature, Lattice designed into the LatticeXP2 device family the popular SPI Flash interface found originally in the LatticeECP/2/3 family of volatile FPGA devices. The SPI Flash device can be used to store the second (Golden) pattern.

The basic connections for the two Dual Boot options are shown in Figure 17-2.

Figure 17-2. Dual Boot Options



The Dual Boot feature on the LatticeXP2 devices is designed to be simple for users by carrying out all the necessary procedures on the industry standard JTAG port. Thus, users do not need to learn a new tool or new flows. It also allows users to implement the feature incrementally.

The block diagram in Figure 17-3 shows the built-in circuitry, Lattice designed into the FPGA product families, which enable the JTAG port to access the non-JTAG SPI Flash devices. This unique capability also allows the SPI Flash devices to be live field upgradable.

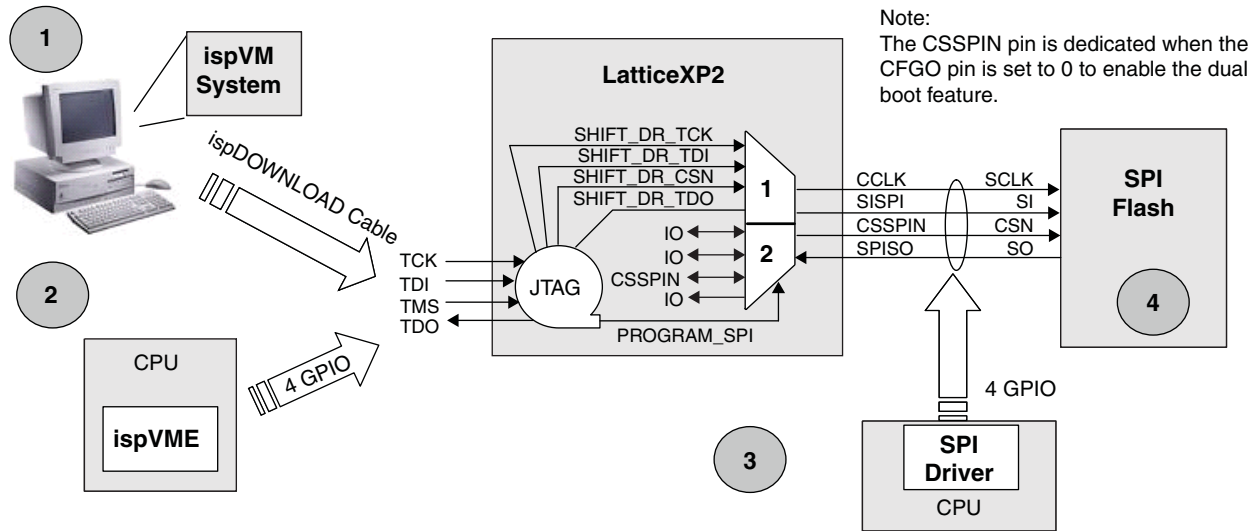
The four methods shown in Figure 17-3 are listed below.

1. Use ispVM to program the SPI Flash directly during the board development phase.
2. Use ispVME to program the SPI Flash during the board production phase.
3. Use the CPU to access the SPI Flash directly bypassing the LatticeXP2 device.

- Use off board programming method such as the third party programmers from BPM Microsystems or System General to pre-program the SPI Flash devices and then mount them on board.

Methods 3 and 4 are of no interest as far as field upgrade is concerned. Therefore, this document will focus only on methods 1 and 2.

Figure 17-3. Four Methods for Programming the SPI Flash Device



Definitions

SPI

SPI stands for the Serial Peripheral Interface defined originally by Motorola.

Master SPI

The FPGA device boots itself by acting as the SPI host to clock bitstream data out of the external SPI Flash device.

SDM (Self Download Mode)

The FPGA device boots itself in a massive parallel fashion from the embedded Flash for instant-on.

Erase

Write into all the Flash cells state a logical one (1) (a.k.a. open fuse).

Program

Write into the selected Flash cells state a logical zero (0) (a.k.a. close fuse).

Configure

Write the pattern into the SRAM fuses of the FPGA device and wake up. It is also known as boot up.

Primary Boot

Upon power cycling, the FPGA device will load this pattern in first. Only one primary pattern is allowed.

Golden Boot

The guaranteed good pattern loaded into the FPGA device when booting failure occurs. It is also known as the root boot. Only one Golden boot pattern is allowed.

Dual Boot

The device has two patterns, namely a Primary pattern and a Golden pattern, to choose to load.

Refresh

The action loads the pattern from a non-volatile source to configure the FPGA device.

Bitstream Data File (.BIT File)

The configuration data file, for a single FPGA device, in the format that can be loaded directly into the FPGA device to configure the SRAM cells. The file is expressed in binary hex format. The file is not printable.

JEDEC File (.JED File)

The programming data file as defined by JEDEC 42.1C standard. The programming file is expressed in the ASCII 1 and 0 format. The file is printable. Third party programmers use it to support large volume production programming.

TransFR

The feature allows users to precisely control the user IO pins (high, low, or tri-state) while the embedded Flash is massively parallel loaded into the SRAM fuses.

Security

Standard security is the feature that disables the read back operation from the embedded Flash and SRAM blocks. Advanced security refers to the features providing encryption support and various Keys and Locks for protecting the Embedded Flash block.

SED CRC

Soft Error Detection (SED) by calculating the CRC value of the value of the SRAM fuses. Lattice implements the feature by using a 32-bit polynomial.

One Shot SED

After each boot from the embedded Flash, this feature enables the SED CRC feature automatically and immediately checking the integrity of the embedded Flash content.

Background Mode (User Mode)

The FPGA device shall remain fully operational as governed by the fuse pattern residing in the SRAM fuse module of the FPGA device at the time while programming activities being carried out on the FPGA device or the peripheral device (SPI Flash device) attached to it. This mode is the most critical attributes of the live field upgrade feature that can be found only on Lattice's FPGA devices.

Direct Mode (IEEE 1532 Access Modal State)

The FPGA device shall be removed from the governing of the fuse pattern residing in the SRAM fuse module, or so to say, put to sleep while programming activities being carried out on the FPGA device or on the peripheral device (SPI Flash device) attached to it. The IOs are either tri-stated or held statically while in this mode. Lack of a better term, Lattice uses it to contrast against the background mode. All PLD devices support this mode.

Purpose

It has been the ultimate goal for the In-System Programming revolution championed by Lattice since 1990 to provide a reliable and continuous live field upgradable system. The TransFR feature designed into Lattice devices since 2000 brings Lattice closer to the ultimate goal. With the introduction of the dual boot feature and the advanced security feature in 2007, the ultimate goal is achieved.

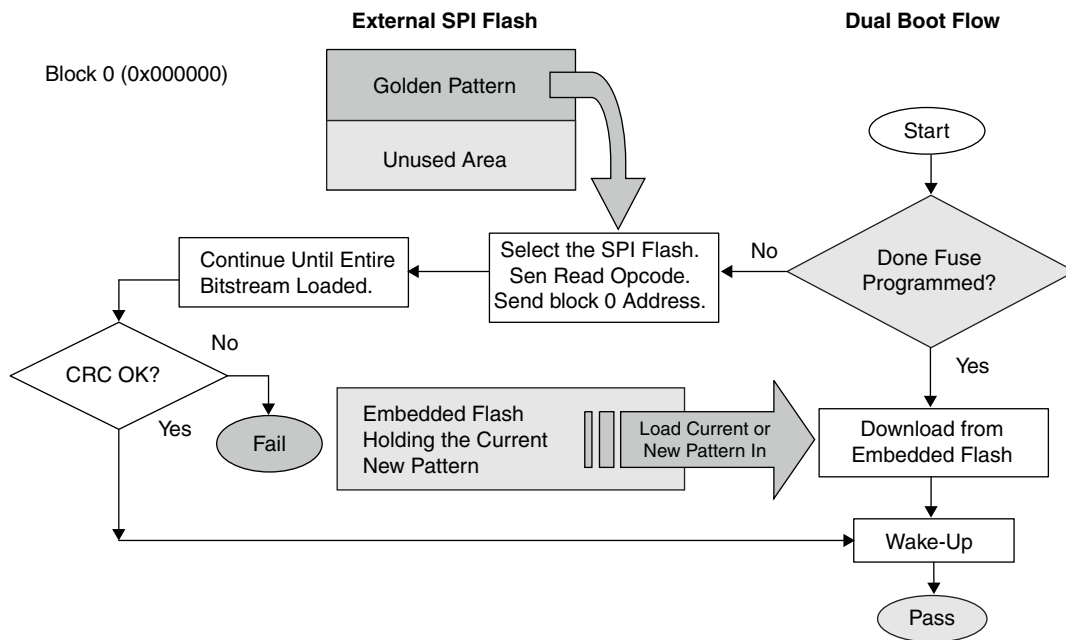
This document provides detail technical explanation of the dual boot feature in the LatticeXP2 device family. The application details for using ispVM and ispVME to support dual boot feature during the different applications is as follows:

1. Use ispVM or ispVME to program the bitstream into the SPI Flash device
2. Use ispVM or ispVME to program the JEDEC file into the LatticeXP2 device.

The application of the LatticeXP2 Advanced Security feature, TransFR feature, and Mission Critical Field Upgrade are briefly mentioned in this document. The details can be found in the LatticeXP2 Advanced Security Configuration, LatticeXP2 TransFR Feature, and LatticeXP2 Mission Critical Field Upgrade Usage Guides, respectively. Contact Lattice Applications for the other documents if required.

Note: The LatticeXP2 devices only support encrypted JEDEC files, which target the embedded Flash of the LatticeXP2 devices.

Figure 17-4. LatticeXP2 FPGA Dual Boot Feature Flow Diagram



Resource

The minimum SPI Flash density required to support the dual boot feature is listed in Table 17-1.

Table 17-1. Required SPI Flash Device Size

Device Name	Bitstream Size	Minimum SPI Flash Density
	M bits	M bits
XP2-5	1.28	2
XP2-8	1.99	2
XP2-17	3.55	4
XP2-30	5.79	8
XP2-40	8.04	16

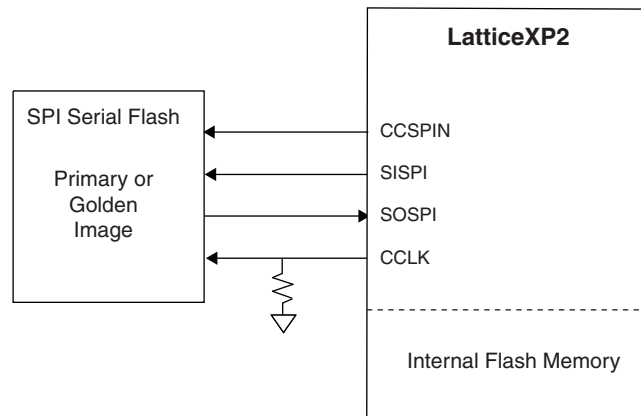
Dual Boot Mode

The LatticeXP2 Dual Boot sysCONFIG™ mode is selected using CFG pin settings. It is the sysCONFIG modes supported by the LatticeXP2 device family. Figure 17-1 illustrates the SPI Flash hardware connections.

Table 17-2. LatticeXP2 sysCONFIG Modes

CFG0	CFG1	Configuration Mode	Primary Boot Source	Secondary Boot Source
0	0	Dual Boot	External SPI Flash	Internal Flash
0	1	Dual Boot	Internal Flash	External SPI Flash
1	X	Self Download Mode (SDM)	Internal Flash	None

Figure 17-5. LatticeXP2 Hardware Connections to SPI Flash



Internal logic is used to detect a configuration failure from the primary source and provides the ability to reattempt configuration from the secondary source. This sequence is used when the LatticeXP2 is set to dual boot mode and configuration is initiated.

Configuration initiates in dual boot mode when any of the following events occur:

- The device is powered-up with all supplies reaching their required minimum values.
- The PROGRAMN pin is toggled.
- The REFRESH command is issued via the ispJTAG™ port.

Should configuration from both primary and golden images in dual boot mode fail, the INITN pin will be driven low and the configuration process will halt.

Lattice strongly recommends using the embedded Flash as the first (Primary) boot to take full advantage of the features only embedded Flash can offer, for example fast instant-on time, standard or advance security, and TransFR. The dual boot flow described in this document focus only on setting CFG[0:1] to [01], respectively, to select the embedded Flash as the first boot.

This flow is triggered either by power cycling or toggle the PROGRAMN pin.

A. When the dual boot mode is selected by setting the CFG0 to low (0), the device checks the CFG1 pin first to decide the source of the first boot. If the CFG1 pin is high (1), the device will check the Flash done fuse immediately.

1. Done Fuse Programmed

If the Done fuse is programmed, then the embedded Flash must have been programmed with a valid pat-

tern. The device will boot from the embedded Flash. If it is desirable to check if the boot from the embedded Flash is error free, the One Shot SED feature can be used to confirm.

Note: The devices carry out the one shot SED by reading the SRAM fuses and calculate the CRC value in Background mode.

2. Done Fuse Not Programmed (aka Erased)

If the Done fuse is erased, then the embedded Flash must have an invalid pattern. The device will activate the Master SPI engine to load the data from the external SPI Flash device. The standard protocol of the Master SPI engine is to ignore the first 128 bits of data from the SPI Flash device, and then begins looking for the preamble code 0xBDB3.

There are two possible failures.

- a. The preamble code is not detected within ~16K clocks. This will happen if the SPI Flash device is blank. This is known as a time out failure.
- b. The CRC value calculated by the Master SPI engine of the device does not match with the one embedded in the bitstream. This means the bitstream is corrupted.

If there is a failure, the device drives the INITN pin low to indicate a failure. Otherwise, the device wakes up and functions.

Note: The INITN pin is functional only when the Master SPI engine is active. Otherwise, it has no function.

- B. If the CFG1 pin is set to low (0), then the device will activate the Master SPI engine to boot the first pattern in. If failure occurs, as described above in 2a or 2b, the device will drive the INITN pin low and then high, and then check if the Flash-Done fuse is programmed. If the Done fuse is programmed, the device will perform the SDM, drive the DONE pin high, and the device wakes up. If the Done fuse is not programmed, then the device stops configuring and leaves the DONE pin low to indicate configuration did not complete.

From the dual boot flow described above, it should become obvious why the Done fuse is always the very first fuse to be erased when performing an erase operation. Also, it is the last Flash fuse to be programmed when programming embedded Flash in LatticeXP2 devices.

Critical Points

1. Check the maximum read frequency supported by the SPI Flash devices. Do not set the CCLK frequency in the bitstream beyond the maximum as specified on the data sheet of the SPI Flash devices.

Reason: All SPI Flash devices support Slow Read command (0x03) and Fast Read command (0x0B). The LatticeXP2 family only supports the Slow Read command.

When the device is powered up, the CCLK frequency is the silicon default, which is approximately 3.1 MHz. After the LatticeXP2 starts loading the bitstream, the CCLK frequency is updated to user's selected frequency. If the selected CCLK frequency exceeds maximum frequency supported by the SPI Flash device, the LatticeXP2 may not configure.

Work-around Solution: When using the ispUFW to convert the JEDEC file into a bitstream file, select a CCLK frequency setting that meets the specifications of the target SPI Flash.

2. If the JTAG port has been used, do not toggle the PROGRAMN pin to reboot unless the board has been power cycled. (Note 2 of the Signal Descriptions Table of DS1009, [LatticeXP2 Family Data Sheet](#), shown in Figure 18, describes this restriction.)

Figure 18. LatticeXP2 Datasheet Note

Lattice Semiconductor

Pinout Information
LatticeXP2 Family Data Sheet

Signal Descriptions (Cont.)

Signal Name	I/O	Description
TDO	O	Output pin. Test Data Out pin used to shift data out of a device using 1149.1.
VCCJ	—	Power supply pin for JTAG Test Access Port.
Configuration Pads (Used during sysCONFIG)		
CFG[1:0]	I	Mode pins used to specify configuration mode values latched on rising edge of INITN. During configuration, an internal pull-up is enabled.
INITN ¹	I/O	Open Drain pin. Indicates the FPGA is ready to be configured. During configuration, a pull-up is enabled.
PROGRAMN	I	Initiates configuration sequence when asserted low. This pin always has an active pull-up.
DONE	I/O	Open Drain pin. Indicates that the configuration sequence is complete, and the startup sequence is in progress.
CCLK	I/O	Configuration Clock for configuring an FPGA in sysCONFIG mode.
SISPI ²	I/O	Input data pin in slave SPI mode and Output data pin in Master SPI mode.
SOSPI ²	I/O	Output data pin in slave SPI mode and Input data pin in Master SPI mode.
CSSPIN ²	O	Chip select for external SPI Flash memory in Master SPI mode. This pin has a weak internal pull-up.
CSSPISN	I	Chip select in Slave SPI mode. This pin has a weak internal pull-up.
TOE	I	Test Output Enable tristates all I/O pins when driven low. This pin has a weak internal pull-up, but when not used an external pull-up to V _{CC} is recommended.

1. If not actively driven, the internal pull-up may not be sufficient. An external pull-up resistor of 4.7k to 10kΩ is recommended.

2. When using the device in Master SPI mode, it must be mutually exclusive from JTAG operations (i.e. TCK tied to GND) or the JTAG TCK must be free-running when used in a system JTAG test environment. If Master SPI mode is used in conjunction with a JTAG download cable, the device power cycle is required after the cable is unplugged.

Reason: The JTAG port is designed to be all powerful so that even the PROGRAMN pin is disabled to prevent the pin from interrupting the JTAG port operations.

Work-around Solution: Use the JTAG Refresh instruction to reboot instead of toggling the PROGRAMN pin.

- When the standard security fuse is set, use Background Mode to reprogram the LatticeXP2 device will fail verification.

Reason: The function of the standard security fuse is for disabling the read back operation. Whenever powering up the LatticeXP2 device, the security latch latches in the security fuse state to protect the fuse pattern residing in it. The Background Mode programming by design can not alter or corrupt the current pattern residing in the SRAM fuse module including the security latches. In other word, the security latch can't be cleared by Background operations. As a consequence, the security latch will block all subsequent Background read back operation.

Work-around Solutions:

- Skip verification on Background Mode programming.
- Use Encryption Background Programming.

Programming Procedures

Part 1: Program the Golden Pattern into the SPI Flash Devices

The SPI Flash device stores the Golden Pattern for the LatticeXP2 device. The Master SPI port requires the Golden Pattern to be in a bitstream format. The bitstream format is exactly the same as the LatticeECP/2/3 FPGA family of devices. The bitstream format can be found in the reference section at the end of this document.

For LatticeXP2 FPGA products, Lattice’s design software, ispLEVER®, only generates a JEDEC file. The Universal File Writer (ispUFW®) utility shipped with the ispVM® System can be used to convert the LatticeXP2 JEDEC file into the bitstream file for the Master SPI port. The procedure is shown in Figure 17-1 and Table 17-3.

Figure 17-1. Using the ispUFW to Convert a JEDEC File to a Bitstream

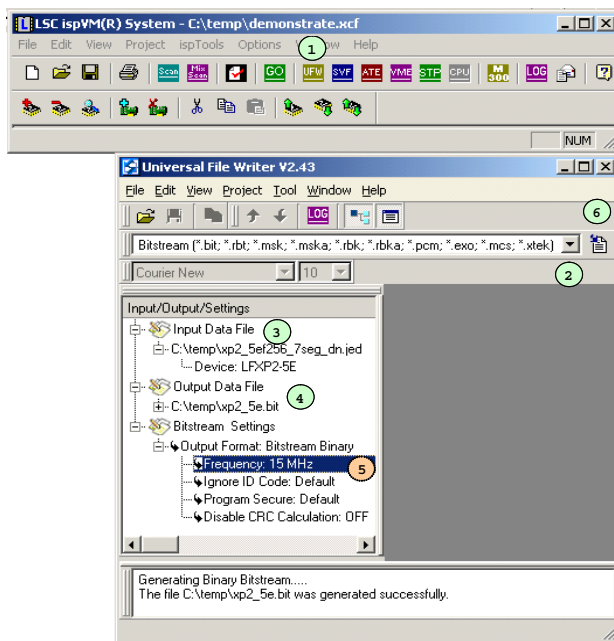


Table 17-3. Procedure for Converting a JEDEC File to a Bitstream using the ispUFW

Steps	Description
1	Launch the UFW on ispVM.
2	Select the bitstream file as the output format.
3	Browse for the JEDEC input file name. The device name will be extracted from the JEDEC file.
4	Browse or enter the output file name.

Table 17-3. Procedure for Converting a JEDEC File to a Bitstream using the ispUFW (Continued)

Steps	Description
5	This is optional. The default is 2.5 MHz. The maximum frequency recommended is 15 MHz due to the +/- 30% variance of the clock oscillator of the LatticeXP2 devices and the typical slow read (opcode = 0x03) frequency is 20 MHz maximum of the SPI Flash devices. The other settings following the Frequency shall be left to default to as shown. Just for completeness, the purpose of the other settings are described below: Ignore ID Code = Insert the LatticeXP2 device 32-bit Device ID checking into the bitstream. Default = do not check IDCODE. Program Secure = Insert the program security fuse command into the bitstream. Default = per the JEDEC file G field setting. Disable CRC Calculation = Remove CRC checking in the bitstream. OFF = the bitstream has CRC checking. (Note: The LatticeXP2 devices use the CRC value to check against bitstream corruption for configuration pass/fail decision. User must not change this setting when generating the final customer ready bitstream. These features are provided to aid board development and debugging.)
6	Click the file generation button to generate the bitstream.

Once the bitstream is generated, follow the procedures shown in Figure 17-2 and Table 17-4 to program the bitstream into the SPI Flash device on ispVM System. ispVM System supports quite many useful SPI Flash operations. Most operations are intuitively understood by users thus do not require detail description in this document.

After the SPI Flash is programmed with a valid bitstream, and if the LatticeXP2 device is not yet programmed, using JTAG refresh or power cycling the LatticeXP2 device will activate the Master SPI port to boot from the SPI Flash device. The PROGRAMN pin will work as long as the JTAG port has not been used. If the JTAG port has been used, power cycle the LatticeXP2 device will re-enable the PROGRAMN pin. Please refer to Critical Point 2 above for more details.

The mechanical detail on the JTAG port in the LatticeXP2 device serving as a SPI host to access the external SPI Flash devices can be found in the reference section at the end of this document.

Figure 17-2. Using ispVM to Program a Bitstream into the SPI Flash Device

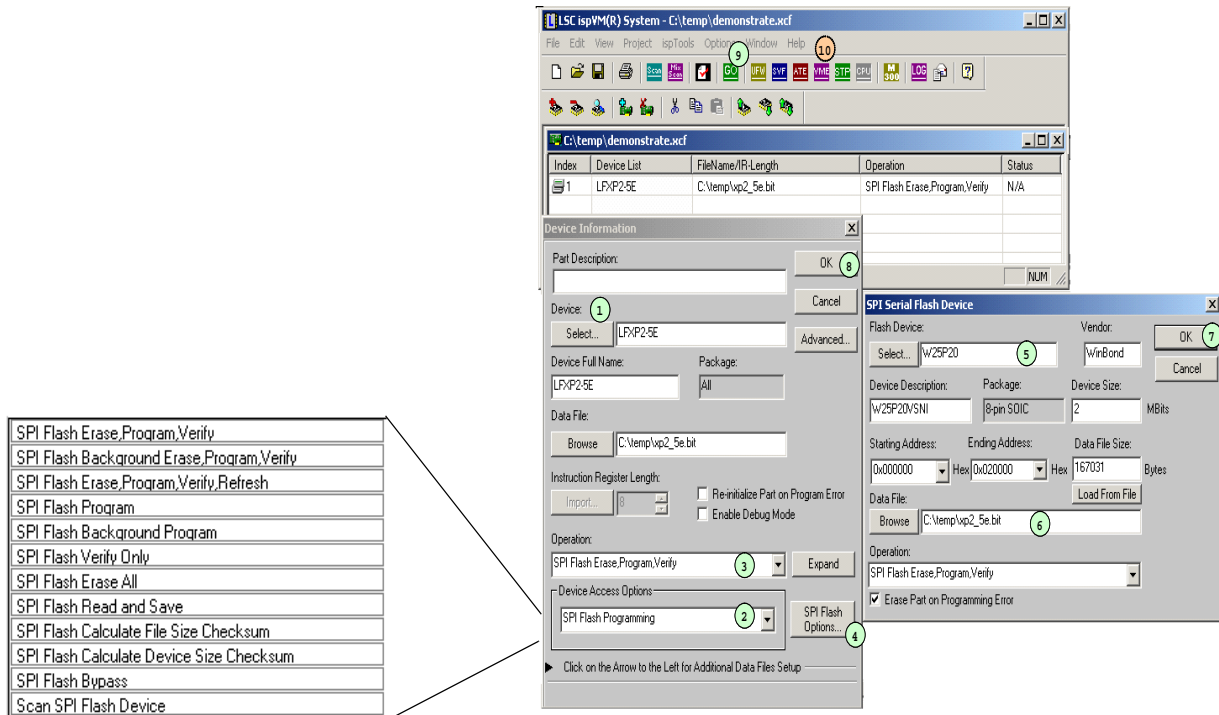


Table 17-4. Procedure for Program a Bitstream into the SPI Flash Device using ispVM

Steps	Description	
1	Scan or select the LatticeXP2 device.	
2	Select the SPI Flash Programming under the Device Access Options.	
3	Select the SPI Flash operation from the operation list: (Note: Due to the operations describe here are all carried out on the JTAG port, as previously noted, the PROGRAMN pin function is disabled by any activities on the JTAG port, power cycling the LatticeXP2 device is the only way to re-enable the PROGRAMN pin.)	
	SPI Flash Operation	Comments
	Erase, Program, Verify	This is a Direct Mode operation. The LatticeXP2 device will be forced into an erased state, by clearing (erase) the SRAM fuses, before and while programming the SPI Flash device. The purpose is to set the persistent fuse to be on to gain unconditional access to the SPI Flash device through the JTAG port.
	Background Erase, Program, Verify	This is a Background Mode operation. The LatticeXP2 device can remain functional while programming the SPI Flash device. However, the persistent fuse in the LatticeXP2 device must be set to on first to use this operation. If the persistent fuse is not set to be on or the LatticeXP2 device is not blank, this operation will fail ID check. In that case, must use the operation above instead.
	Erase, Program, Verify, Refresh	This Direct Mode operation is provided as a work around for the PROGRAMN pin disabled by the JTAG port activities. Must use this operation if need to boot the bitstream into the LatticeXP2 device immediately after completing the SPI Flash programming. Refresh = the JTAG refresh instruction which has the effect as toggling the PROGRAMN pin.
	Program (Erase, Program)	This Direct Mode operation will erase and program the SPI Flash device in without verification in Direct Mode. The VME file size of this operation is half that of with verification. User might have no choice but use this operation when the EPROM size storing the VME file is too small to include verification.
	Background Program (Background Erase, Program)	Same as above except it is conducted in Background Mode. The persistent fuse in the LatticeXP2 device must be on for this operation to work.
	Calculate File Size Checksum	This Direct Mode operation will calculate the fuse checksum in the SPI Flash device per the starting address and ending address after browsing in the bitstream file at step 6 below. Example: The XP2-5E bitstream occupy sector 0, 1, and 2, or three sectors total. The checksum is calculated by reading the fuse data out from those three occupied sectors.
	Calculate Device Size Checksum	This Direct Mode operation will calculate the fuse checksum of the entire SPI Flash device. Example: The 2Mb SPI Flash device has four sectors total. The checksum is calculated by reading out fuse data from all four sectors
	Scan SPI Flash Device	This Direct Mode operation will scan SPI Flash device against the Lattice SPI Flash device database. If there is a match, then it shows what the device is on the message window for user to enter on step 6. If it is not in the database, then it returns an unknown device. User will need to find out the SPI Flash device name manually then select accordingly at step 6.
4	Launch the SPI Flash device menu.	
5	Select the SPI Flash device.	
6	Browse for the bitstream file. Note: Do not change the starting address from sector 0. The LatticeXP2 device will boot from sector 0.	
7	Click OK to close the SPI Flash device menu.	
8	Click OK to close the device selection menu.	
9	Click GO to program the SPI Flash device. For embedded programming, skip this step. Go to step 10 to generate the VME file instead.	
10	This is optional. For embedded programming, use the VME file generator to generate the VME file first then run the VME file to program the SPI Flash device then port the ispVME driver onto the embedded system.	

Part 2: Program the Primary Pattern into LatticeXP2 Embedded Flash

Follow the procedures shown in Figure 17-3 and Table 17-5 too program the JEDEC file into the LatticeXP2 embedded Flash using the ispVM System. There is absolutely no difference between programming the LatticeXP2 device for standard single boot and dual boot applications.

For live field upgrade of a mission critical application, Background Mode programming is strongly recommended. For more details on Background Mode programming mode for mission critical application, please refer to the LatticeXP2 Mission Critical Field Upgrade Usage Guide. Contact Lattice Applications for the document if required.

Once the embedded Flash and Done fuse is programmed, it can be difficult to configure the LatticeXP2 device from the external SPI Flash device. There are two methods that can be used to test the dual boot feature does work.

1. Drive the CFG1 pin to 0. This will cause the bitstream in the SPI Flash to be the Primary pattern.
2. Use the ERASE_DONE command to erase only the Done fuse of the LatticeXP2 Embedded Flash. The only draw back of this approach is that entire LatticeXP2 Embedded Flash will need to be re-programmed. Simply programming the Done fuse will not work.

Figure 17-3. Using ispVM to Program a JEDEC into the Embedded Flash

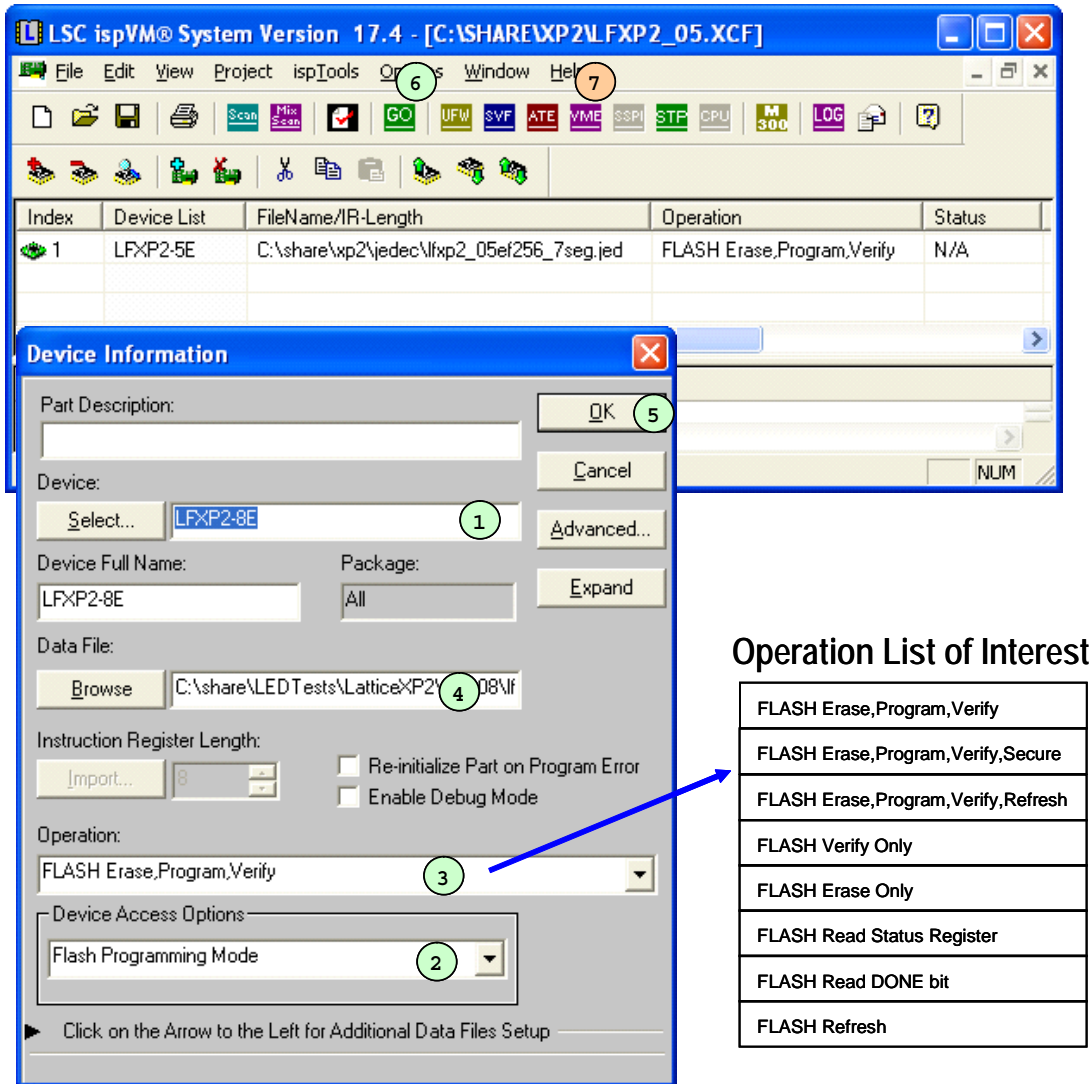


Table 17-5. Procedure for Program a JEDEC File into the LatticeXP2 using ispVM

Steps	Description	
1	Scan or select the LatticeXP2 device.	
2	Select the Flash Programming Mode under the Device Access Options.	
3	Select the Flash Programming operation from the operation list: (Note: Due to the operations describe here are all carried out on the JTAG port, as previously noted, the PROGRAMN pin function is disabled by any activities on the JTAG port, power cycling the LatticeXP2 device is the only way to re-enable the PROGRAMN pin.)	
	Flash Background Operation	Comments
	FLASH Erase,Program,Verify	This is a Direct Mode operation. The LatticeXP2 device will be forced into an erased state, by clearing (erase) the SRAM fuses, before and while programming the embedded Flash. A post programming verification of the Flash fuses is performed. If all of the Flash fuses match the data in the JEDEC file, the Flash Done fuse is programmed. The pattern from embedded Flash device into the SRAM fuses using the JTAG ISC_DISABLE instructions at the end of the operation.
	FLASH Erase,Program,Verify,Secure	This is a Direct Mode operation. The LatticeXP2 device will be forced into an erased state, by clearing (erase) the SRAM fuses, before and while programming the embedded Flash. A post programming verification of the Flash fuses is performed. If all of the Flash fuses match the data in the JEDEC file, the Flash Security and Done fuses are programmed. The pattern from embedded Flash device into the SRAM fuses using the JTAG ISC_DISABLE instructions at the end of the operation.
	FLASH Erase,Program,Verify,Refresh	This is a Direct Mode operation. The LatticeXP2 device will be forced into an erased state, by clearing (erase) the SRAM fuses, before and while programming the embedded Flash. A post programming verification of the Flash fuses is performed. If all of the Flash fuses match the data in the JEDEC file, the Flash Done fuse is programmed. This operation loads the pattern from embedded Flash device into the SRAM fuses using the JTAG Refresh instruction.
	FLASH Verify Only	This is a Direct Mode operation. The LatticeXP2 device will be forced into an erased state, by clearing (erase) the SRAM fuses, before and while programming the embedded Flash. A verification of the Flash fuses is performed. If all of the Flash fuses match the data in the JEDEC file, the Flash Done fuse is programmed. The pattern from embedded Flash device into the SRAM fuses using the JTAG ISC_DISABLE instructions at the end of the operation.
	FLASH Erase Only	This is a Direct Mode operation. The LatticeXP2 device will be forced into an erased state, by clearing (erase) the SRAM fuses, before and while erasing the embedded Flash. Since the Flash Done bit is erased, the Flash to SRAM transfer does not happen, and the device remains in the unprogrammed mode. If dual boot configuration mode is selected, and the golden is located in the external SPI Flash, the device will configure from the golden pattern contained in the external SPI Flash device.
	FLASH Read Status Register	This is a Direct Mode operation. The LatticeXP2 device will enter programming mode while the device Status Register is read and displayed.
	FLASH Read DONE bit	This is a Direct Mode operation. The LatticeXP2 device will enter programming mode while the Flash Done Bit is read and displayed.
	FLASH Refresh	This is a Direct Mode operation. This operation loads the pattern from embedded Flash device into the SRAM fuses using the JTAG Refresh instruction. The LatticeXP2 device will be forced into an erased state, by clearing (erase) the SRAM fuses, before and during the Flash to SRAM transfer.

Table 17-5. Procedure for Program a JEDEC File into the LatticeXP2 using ispVM (Continued)

Steps	Description
4	Browse for the JEDEC file.
5	Click OK to close the device selection menu.
6	Click GO to program the LatticeXP2 embedded Flash. For embedded programming, skip this step. Go to step 7 to generate the VME file instead.
7	This is optional. For embedded programming, use the VME file generator to generate the VME file first then run the VME file to program the LatticeXP2 embedded Flash device then port the ispVME driver onto the embedded system.

Reference Material

LatticeXP2 Bitstream File Format

Table 17-6 shows the format of a LatticeXP2 bitstream. The bitstream consists of a comment field, a header, the preamble, and the configuration setup, and data.

Table 17-6. LatticeXP2 Bitstream File Format

Frame	Contents	Description
Comments	(Comment String)	ASCII Comment (Argument) String and Terminator
Header	1111...1111	16 Dummy bits
	1011110110110011	16-bit Standard Bitstream Preamble (0xBDB3)
Verify ID		64 bits of command and data
Control Register 0		64 bits of command and data
Reset Address		32 bits of command and data
Write Increment		32 bits of command and data
Data 0		Data, 16-bit CRC, and Stop bits
Data 1		Data, 16-bit CRC, and Stop bits
...
Data n-1		Data, 16-bit CRC, and Stop bits
End	1111...1111	Terminator bits and 16-bit CRC
Usercode		64 bits of command and data
SED CRC		64 bits of command and data
Program Security		32 bits of command and data
Program Done		32 bits of command and data, 16-bit CRC
NOOP	1111...1111	64 bits of NOOP data
End	1111...1111	32-bit Terminator (all ones)

Note: The data in this table is intended for reference only.

Implement SPI Flash Programming on ispVM System

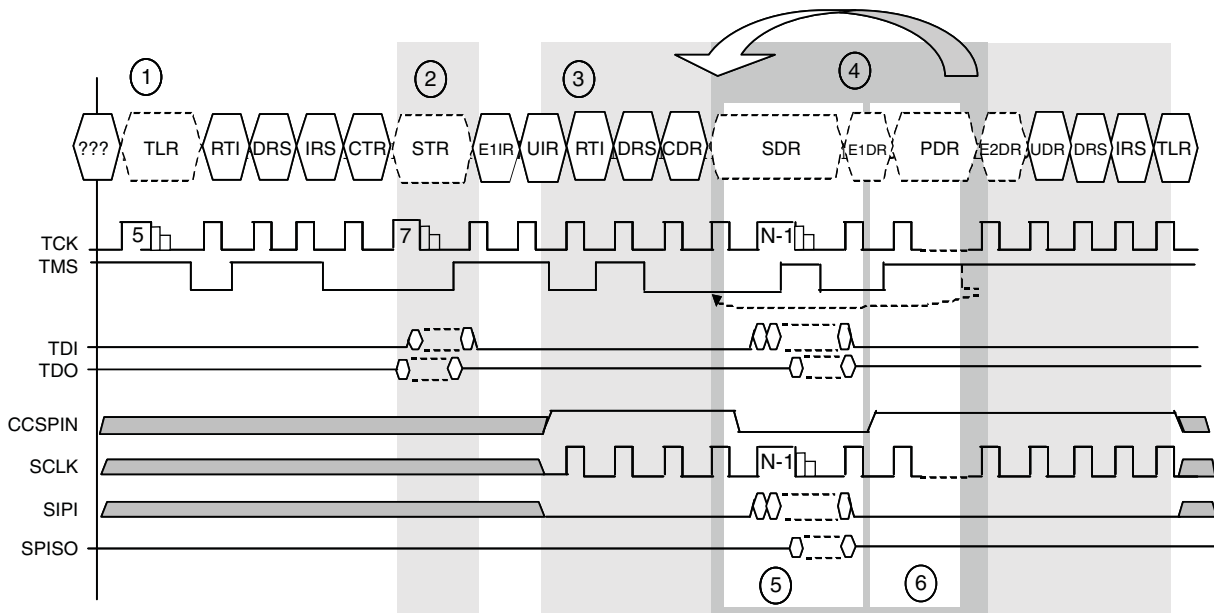
The LatticeECP2/3 and LatticeXP2 families of FPGA devices are designed to support a JTAG instruction, PROGRAM_SPI, which when executed, will effectively connect the four SPI interface signals of SPI Flash devices to four JTAG port signals.

ispVM System and ispVME takes care of the detail to program the SPI Flash devices via the JTAG port. The detail task is shown in the waveform diagram on on

Table 17-7. Description of the Hare-wired JTAG SPI Flash Programming IP

Block #	Title	Description
1	Reset JTAG Port	The standard method to set the JTAG state machine to a known state.
2	Send Instruction	Shift in the PROGRAM_SPI instruction (OPCODE = 0x0X⇄). ⇄ Indicate bit 0 first shifting direction.
3	Connect	The 4-pin JTAG port is connected to the 4-pin SPI interface. SLCK following TCK indicate connection is made.
4	Repeat	Loop around to erase by sectors and programming by pages.
5	Shift Data	Send in the command to erase a sector or shift in one page of programming data. The FPGA respond by driving the CSSPIN pin to low to gate on SCLK, SPID0, and SISPI.
6	Burn Time Delay	Drive the CSSPIN to high to command the SPI Flash device to start the erase or programming action. Wait for the required erase or programming delay time then poll the complete status. Consult the SPI Flash datasheet for the polling method required.

Figure 17-4. Waveform Diagram of the Hare-wired JTAG SPI Flash Programming IP



References

- Lattice Technical Note TN1087, [Minimizing System Interruption During Configuration Using TransFR Technology](#)
- Lattice Technical Note TN1141, [LatticeXP2 sysCONFIG Usage Guide](#)
- Lattice Technical Note TN1142, [LatticeXP2 Configuration Encryption and Security Usage Guide](#)

Technical Support Assistance

Hotline: 1-800-LATTICE (North America)
+1-503-268-8001 (Outside North America)
e-mail: techsupport@latticesemi.com
Internet: www.latticesemi.com

Revision History

Date	Version	Change Summary
November 2010	01.0	Initial release.

Introduction

Starting a complex system with a large FPGA hardware design requires that the FPGA designer pay attention to the critical hardware implementation to increase the chances of success for the hardware. This technical note systematically steps through these critical hardware implementation items relative to the LatticeXP2™ device. LatticeXP2 is the third-generation non-volatile FPGA from Lattice with on-chip Flash to store the configuration. The device family consists of FPGA LUT densities ranging from 5K to 40K. This technical note assumes that the reader is familiar with the LatticeXP2 device features as described in the [LatticeXP2 Family Data Sheet](#).

The critical hardware areas covered in this technical note are:

- Power supplies as they related to the LatticeXP2 supply rails and how to connect them to the PCB and the associated system
- Configuration and how to connect the configuration mode selection for proper power up configuration
- Device I/O interface and critical signals

Power Supply

The V_{CC} and V_{CCAUX} power supplies determine the LatticeXP2 internal “power good” condition. In addition to the two power supplies, there are $V_{CCIO0-7}$, V_{CCPLL} and V_{CCJ} supplies that power the I/O banks, PLL and JTAG port. All power supplies are required for the proper device operation but since V_{CC} and V_{CCAUX} determine the device power-on condition, it is recommended to have one of these supplies be the final power supply to power up the LatticeXP2 device after all other power supplies are stable. Table 18-1 shows the power supplies and the appropriate voltage levels for each supply.

Table 18-1. Power Supply Description and Voltage Levels

Supply	Voltage (Typ.)	Description
V_{CC}	1.2V	Core power supply. A typical V_{CC} device internal power up and power down trip point is between 0.7V and 0.9V.
V_{CCAUX}	3.3V	Auxiliary power supply. A 3.3V supply that provides an internal reference to the input buffers. A typical V_{CCAUX} device internal power up and power down trip point is between 2.0V and 2.8V.
V_{CCPLL}	3.3V	Power supply for PLL.
$V_{CCIO0-7}$	1.2V to 3.3V	I/O power supply. There are eight banks of I/Os and each bank has its own supply V_{CCIO0} to V_{CCIO7} .
V_{CCJ}	1.2V to 3.3V	JTAG power supply for TAP controller port.

Power Supply Sequencing

There is no specific power sequencing requirement for the LatticeXP2 device family. If the user's system has the option to design for power sequencing, a practical sequencing to keep in mind is based on the fact that V_{CC} and V_{CCAUX} determine when the core powers up. In order insure proper functional behavior, it is desirable to bring up the V_{CCIO} , V_{CCJ} and V_{CCPLL} first in any order and bring up V_{CC} first and V_{CCAUX} next in a sequential order. Power sequencing considerations should also consider that common supplies generally are tied together to the same rail. For example, if there is a 3.3V V_{CCIO} , it should be tied to the same supply as the 3.3V rail for V_{CCAUX} . LatticeXP2 is able to tolerate any order of power sequencing without causing any high current leakage paths during power up.

Power Supply Ramp

Similar to the power supply sequencing, there is no specific requirement for the LatticeXP2 but care must be given to the power supply ramp times in a reasonable range. The reasonable range is defined by the majority of the power supply related device test data taken as part of the device characterization. The fast end of the spectrum is defined to be 100 μ s for the supply to transition from zero volts to minimum supply voltage level. The slow end of the spectrum is defined to be 100ms for the supply to transition from zero volts to minimum supply voltage. These ranges should be used as general guidelines for the system design consideration.

Power Estimation

Once the LatticeXP2 device density, package and logic implementation is decided, power estimation for the system environment should be determined based on the software Power Calculator provided as part of ispLEVER[®] design tool. The power estimation should keep two specific goals in mind.

1. Power supply budgeting should be considered based on the maximum of the power-up in-rush current, configuration current or maximum DC and AC current for given system environmental condition.
2. The ability for the system environment and LatticeXP2 device packaging to be able to support the specified maximum operating junction temperature.

By determining these two criteria, system design planning can take the LatticeXP2 power requirements into consideration early in the design phase.

Configuration

There are two options to configure the LatticeXP2 devices. The obvious and most common method is using the on-chip Flash memory. This method is called the Self Download Mode or SDM. The SDM is determined by the CFG0 signal. CFG0 needs to be pulled high in order to boot the device from the on-chip flash memory. External pull-up resistor highly recommended pulling up the CFG0 signal to the 3.3V supply rail. Table 18-2 shows the proper CFG bit setting.

Table 18-2. Configuration Mode Selection

Configuration Mode	CFG1	CFG0	Description
SPI Flash Boot	0	0	Master SPI Boot first then embedded Flash.
Embedded Flash Boot	1	0	Embedded flash boot first then external SPI Flash.
Self Download Mode (SDM)	X	1	SDM only.

The SPI configuration port resides in I/O bank 7. Accordingly, the V_{CCI07} must match the supply rail of the SPI Flash. For example, if the external SPI Flash uses 3.3V rail, V_{CCI07} must be tied to 3.3V supply rail as well.

There are several dual-purpose pins that can be used as general-purpose I/O pins when not used for configuration. Table 18-3 lists these dual-purpose pins. When CFGx is set to one of the two external SPI flash options and persistence is OFF, the dual-purpose configuration pins will become general-purpose I/O pins after configuration. These pins should be used only when they are not used for configuration. When used for configuration, persistence should be ON, to dedicate these pins for configuration. In order to insure proper configuration, it is recommended to use external resistors for the configuration pins. The CFG0 must have external resistor for any configuration mode. When CFG0=0, CFG1, PROGRAMN, INITN and DONE pins must have the appropriate external pull-up or pull-down resistors.

Table 18-3. Configuration Pin Descriptions

Pin Name	I/O Type	Pin Type	Description
CFG0	Input, weak pull-up	Dedicated	FPGA configuration mode selection
CFG1	Input, weak pull-up	Dual-Purpose	
PROGRAMN	Input, weak pull-up	Dual-Purpose	FPGA Configuration control and status signals
INITN	Bi-Directional Open Drain, weak pull-up	Dual-Purpose	
DONE	Bi-Directional Open Drain with weak pull-up or Active Drive	Dual-Purpose	
CCLK	Input or Output	Dual-Purpose	Configuration clock
SISPI	Input or Output	Dual-Purpose	SPI control and data signals
SOSPI	Input or Output	Dual-Purpose	
CSSPISN	Input, weak pull-up	Dual-Purpose	
CSSPIN	Output, tri-state, weak pull-up	Dual-Purpose	

JTAG Interface

The JTAG interface pins are referenced to V_{CCJ} . Typically, JTAG pins are referenced to 3.3V supply. V_{CCJ} can support supplies from 1.2V to 3.3V. In cases where V_{CCJ} is connected to supplies other than 3.3V, validate that the JTAG interface cable or tester can support I/O interface with the same I/O voltage standard.

I/O Interface and Critical Pins

There are eight I/O banks on every LatticeXP2 device. I/O Bank 7 contains the configuration pins and as such, the configuration requirements should have the highest priority to determine the supply voltage levels for V_{CCIO7} .

I/O Pin Assignments Around V_{CCPLL}

The V_{CCPLL} provides a “quiet” supply for the internal PLLs. For the best PLL jitter performance, careful pin assignment must keep away the “noisy” I/O pins away from the BGA ball location that are identified as sensitive pins as shown in Figure 18-1. In this case the sensitive pins would be one of the V_{CCPLL} supply pins. The “noisy” I/O pins are generally defined to have the highest switching frequency, highest V_{CCIO} standard and fastest output slew rates. For example, using the Figure 18-1 3x3 and 5x5 grid of ball locations, one can identify the “keep out” ball locations for the potentially “noisy” signals. *Note: In fpBGA and ftBGA packages, V_{CCPLL} is not provided from its own pins; it is connected to the V_{CCAUX} pins. In this case, this discussion applies to the V_{CCAUX} pins.*

Figure 18-1. “Quiet” Pin Assignment Consideration for BGA Package

5x5	5x5	5x5	5x5	5x5
5x5	3x3	3x3	3x3	5x5
5x5	3x3	Sensitive Pin	3x3	5x5
5x5	3x3	3x3	3x3	5x5
5x5	5x5	5x5	5x5	5x5

DDR/DDR2 Memory Interface Pin Assignments

The DDR Memory interface on the LatticeXP2 device family is provided with a pre-engineered I/O register along with the precision I/O DLL timing control. There are two I/O DLL specifically assigned to the two halves of the device. One I/O DLL supports I/O banks 1, 2, 3 and 4; another I/O DLL supports I/O banks 0, 5, 6 and 7.

In addition to the I/O DLL assignments, there are pre-defined data strobes (DQS) signals that can support a span of I/O pins as part of the memory data lanes. When assigning DDR memory interface I/O pins, the FPGA designer must insure that there is enough I/O pins to assign DDR memory data pins for each of the assigned DQS signals.

True-LVDS Output Pin Assignments

True-LVDS outputs are available on 50% of the I/O pins on the left and right sides of the device. The left and right side I/O banks are banks 2, 3, 6 and 7. When using the LVDS outputs, a 2.5V supply needs to be connected to these VCCIO supply rails.

HSTL and SSTL Pin Assignments

These externally referenced I/O standards require an external reference voltage. Each of the LatticeXP2 device family I/O banks allows up to two pre-defined V_{REF} pins. The V_{REF} pin(s) should get the highest priority for pin assignment.

PCI Clamp Pin Assignment

PCI clamps are available on the top and bottom sides of the device. When the system design calls for PCI clamp, those pins should be assigned to I/O banks 0, 1, 4 and 5. For the clamp characteristic, refer to the IBIS buffer models either on the Lattice website at www.latticesemi.com or in the ispLEVER design tool.

Test Output Enable (TOE)

TOE signal is used to tri-state all I/O pins and override the functional outputs for board level test. It is recommended to have a pull-up resistor to make sure that when not in use, the TOE will not interfere with the normal functionality of the I/O pins.

Checklist

	LatticeXP2 Hardware Checklist Item	OK	N/A
1	Power Supply		
1.1	Core Supply VCC @ 1.2V		
1.2	Auxiliary Supply V _{CCAUX} @ 3.3V		
1.3	PLL Supply V _{CCPLL} @ 3.3V		
1.4	JTAG Supply V _{CCJ} from 1.2V to 3.3V		
1.5	I/O Supply V _{CCIO0-7} from 1.2V to 3.3V		
1.6	Supply Sequencing considerations		
1.7	Supply Ramp considerations		
1.8	Power Estimation		
2	Configuration		
2.1	Consistency of V _{CCIO7} Supply if external SPI Flash is used		
2.2	Configuration control and status selections		
2.2.1	Pull-up or Pull-down on CFG0 ²		
2.2.2	Pull-up or Pull-down on CFG1 ^{1,2}		
2.2.3	Pull-up on PROGRAMN ^{1,3} , INITN ^{1,3} , DONE ^{1,3} , TOE ²		
2.2.4	Pull-down on TCK		
2.3	JTAG Supply and default logic levels		
3	I/O Pin Assignment		
3.1	I/O pin assignments around V _{CCPLL}		
3.2	DDR Memory pin assignment considerations		
3.3	True-LVDS pin assignment considerations		
3.4	HSTL and SSTL pin assignment considerations		
3.5	PCI clamp requirement considerations		

1. Only necessary when CFG1=0.

2. CFG0, CFG1 and TOE pins are internally linked to the VCC core voltage and can be pulled up to either VCC core or 3.3V.

3. When used, PROGRAMN, INITN, and DONE pulled up to same voltage as VCCIO7.

Technical Support Assistance

Hotline: 1-800-LATTICE (North America)

+1-503-268-8001 (Outside North America)

e-mail: techsupport@latticesemi.com

Internet: www.latticesemi.com

Revision History

Date	Version	Change Summary
June 2007	01.0	Initial release.
March 2011	01.1	Added note to "I/O Pin Assignments Around V _{CCPLL} " text section.
May 2011	01.2	Updated Checklist table footnotes.



Section III. LatticeXP2 Family Handbook Revision History

Revision History

Date	Handbook Revision Number	Change Summary
May 2007	01.1	Initial release.
July 2007	01.2	Technical note TN1137 updated to version 01.1.
September 2007	01.3	LatticeXP2 Family Data Sheet updated to version 01.2.
January 2008	01.4	Technical note TN1130 updated to version 01.1.
		Technical note TN1137 updated to version 01.3.
		Technical note TN1141 updated to version 01.2.
February 2008	01.5	LatticeXP2 Family Data Sheet updated to version 01.3.
		Technical note TN1130 updated to version 01.3.
		Technical note TN1141 updated to version 01.3.
		Technical note TN1137 updated to version 01.4.
April 2008	01.6	LatticeXP2 Family Data Sheet updated to version 01.4.
		Technical note TN1130 updated to version 01.4.
		Technical note TN1137 updated to version 01.5.
April 2008	01.7	Technical note TN1136 updated to version 01.1.
June 2008	01.8	LatticeXP2 Family Data Sheet updated to version 01.5.
		Technical note TN1137 updated to version 01.6.
		Technical note TN1142 updated to version 01.1.
June 2008	01.9	Technical note TN1137 updated to version 01.7.
July 2008	02.0	Technical note TN1130 updated to version 01.6.
September 2008	02.1	LatticeXP2 Family Data Sheet updated to version 01.6.
		Technical note TN1130 updated to version 01.7.
November 2008	02.2	Technical note TN1141 updated to version 01.4.
		Added TN1143, LatticeECP2/M Hardware Checklist.
January 2009	02.3	Technical note TN1130 updated to version 01.8.
May 2009	02.4	Technical note TN1130 updated to version 01.9.
		Technical note TN1136 updated to version 01.2.
		Technical note TN1137 updated to version 01.8.
		Technical note TN1138 updated to version 01.2.
		Technical note TN1141 updated to version 01.4.
February 2010	02.5	Technical note TN1126 updated to version 01.1.
		Technical note TN1130 updated to version 02.0.
		Technical note TN1136 updated to version 01.2.
		Technical note TN1138 updated to version 01.3.
		Technical note TN1141 updated to version 01.6.
February 2011	02.6	Replaced technical note TN1144 with TN1220.
March 2011	02.7	Technical note TN1143 updated to version 01.1.
April 2011	02.8	LatticeXP2 Family Data Sheet updated to version 01.7.
May 2011	02.9	Technical note TN1143 updated to version 01.2.

Date	Handbook Revision Number	Change Summary
July 2011	03.0	Technical note TN1136 updated to version 01.3.
		Technical note TN1138 updated to version 01.4.
		Technical note TN1141 updated to version 01.7.
July 2001	03.1	Technical note TN1137 updated to version 01.9.
January 2012	03.2	LatticeXP2 Family Data Sheet updated to version 01.8.
		Technical note TN1136 updated to version 01.3.
		Technical note TN1138 updated to version 01.4.
		Technical note TN1141 updated to version 01.7.

Note: For detailed revision changes, please refer to the revision history for each document.



Стандарт Электрон Связь

Мы молодая и активно развивающаяся компания в области поставок электронных компонентов. Мы поставляем электронные компоненты отечественного и импортного производства напрямую от производителей и с крупнейших складов мира.

Благодаря сотрудничеству с мировыми поставщиками мы осуществляем комплексные и плановые поставки широчайшего спектра электронных компонентов.

Собственная эффективная логистика и склад в обеспечивает надежную поставку продукции в точно указанные сроки по всей России.

Мы осуществляем техническую поддержку нашим клиентам и предпродажную проверку качества продукции. На все поставляемые продукты мы предоставляем гарантию .

Осуществляем поставки продукции под контролем ВП МО РФ на предприятия военно-промышленного комплекса России , а также работаем в рамках 275 ФЗ с открытием отдельных счетов в уполномоченном банке. Система менеджмента качества компании соответствует требованиям ГОСТ ISO 9001.

Минимальные сроки поставки, гибкие цены, неограниченный ассортимент и индивидуальный подход к клиентам являются основой для выстраивания долгосрочного и эффективного сотрудничества с предприятиями радиоэлектронной промышленности, предприятиями ВПК и научно-исследовательскими институтами России.

С нами вы становитесь еще успешнее!

Наши контакты:

Телефон: +7 812 627 14 35

Электронная почта: sales@st-electron.ru

Адрес: 198099, Санкт-Петербург,
Промышленная ул, дом № 19, литера Н,
помещение 100-Н Офис 331