

DATA SHEET

SKY12345-362LF: 0.7-4.0 GHz Five-Bit Digital Attenuator with Serial-to-Parallel Driver (0.5 dB LSB)

Applications

- Base stations
- Wireless and RF data
- Wireless local loop gain control circuits

Features

- Broadband operation: 0.7 to 4.0 GHz
- Attenuation: 15.5 dB
- LSB attenuation: 0.5 dB
- Low insertion loss: 1 dB @ 900 MHz
- Positive voltage operation: 5 V
- Integrated silicon serial-to-parallel driver
- Small, QFN (24-pin, 4 x 4 mm) package (MSL1, 260 °C per JEDEC J-STD-020)



Skyworks Green™ products are RoHS (Restriction of Hazardous Substances)-compliant, conform to the EIA/EICTA/JEITA Joint Industry Guide (JIG) Level A guidelines, are halogen free according to IEC-61249-2-21, and contain <1,000 ppm antimony trioxide in polymeric materials.

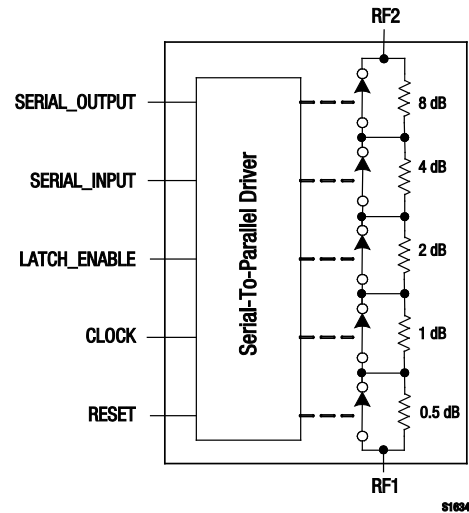


Figure 1. SKY12345-362LF Block Diagram

Description

The SKY12345-362LF is a GaAs FET five-bit digital attenuator I/C with a serial-to-parallel driver. The device is provided in a 4 x 4 mm, 24-pin Quad Flat No-Lead (QFN) package.

The SKY12345-362LF is particularly suited for applications in which high attenuation accuracy, low insertion loss, and low intermodulation products are required.

A functional block diagram is shown in Figure 1. The pin configuration and package are shown in Figure 2. Signal pin assignments and functional pin descriptions are provided in Table 1.

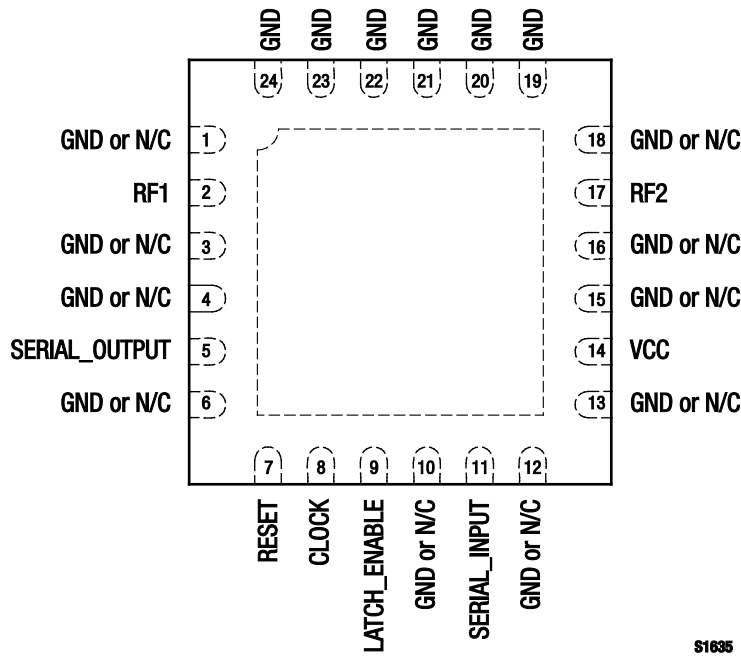


Figure 2. SKY12345-362LF Pinout – 24-Pin QFN (Top View)

Table 1. SKY12345-362LF Signal Descriptions

Pin #	Name	Description	Pin #	Name	Description
1	GND or N/C	Ground or no connection	13	GND or N/C	Ground or no connection
2	RF1	RF input/output. Must be DC blocked.	14	VCC	Fixed bias for SPI
3	GND or N/C	Ground or no connection	15	GND or N/C	Ground or no connection
4	GND or N/C	Ground or no connection	16	GND or N/C	Ground or no connection
5	SERIAL_OUTPUT	Data output delayed by eight clock cycles	17	RF2	RF input/output. Must be DC blocked.
6	GND or N/C	Ground or no connection	18	GND or N/C	Ground or no connection
7	RESET	Reset. Clears shift registers.	19	GND	Ground
8	CLOCK	Serial clock input	20	GND	Ground
9	LATCH_ENABLE	On rising edge of pulse, shifts five most recent clocked-in bits to set attenuation state	21	GND	Ground
10	GND or N/C	Ground or no connection	22	GND	Ground
11	SERIAL_INPUT	Data input	23	GND	Ground
12	GND or N/C	Ground or no connection	24	GND	Ground

Note: Exposed pad must be grounded.

Functional Description

The SKY12345-362LF is a five bit digital attenuator comprised of a GaAs attenuator and a silicon CMOS driver. The attenuation setting is controlled by a serial-to-parallel interface. Attenuation is set by a stream of data that is clocked into the shift registers of the silicon chip by the clock signal. To set the attenuation state, a latch signal is sent to the appropriate pin to send the correct bias voltages to the GaAs attenuator.

More than one attenuator can be cascaded together and the data may be passed through one device to the other using the SERIAL_OUTPUT signal (pin 5). To reset the attenuator to the insertion loss state, a logic low signal may be sent to the RESET pin. DC bias voltage to the silicon CMOS chip is applied to pin 14 (VCC).

Power-Up/Power-Down Timing

Serial input data (SERIAL_INPUT pin) is shifted into the register on the rising edge of the clock (CLOCK pin), least significant bit (LSB) first. The attenuator changes states on the rising edge of the latch-enable (LATCH_ENABLE pin) signal, according to the most recent five bits of shifted data accepted since the previous falling edge of the latch enable signal. The serial data output is the serial input data delayed by eight clock cycles.

Refer to the timing diagram in Figure 3 and timing parameter specifications in Table 2. Table 3 shows the transition states based on the latch enable, clock, and reset logic settings.

Power-up sequence is as follows:

0. Connect ground
1. Apply V_{CC}
2. Set all inputs (SCK, SDA, LE)

The power-down sequence is the reverse of above.

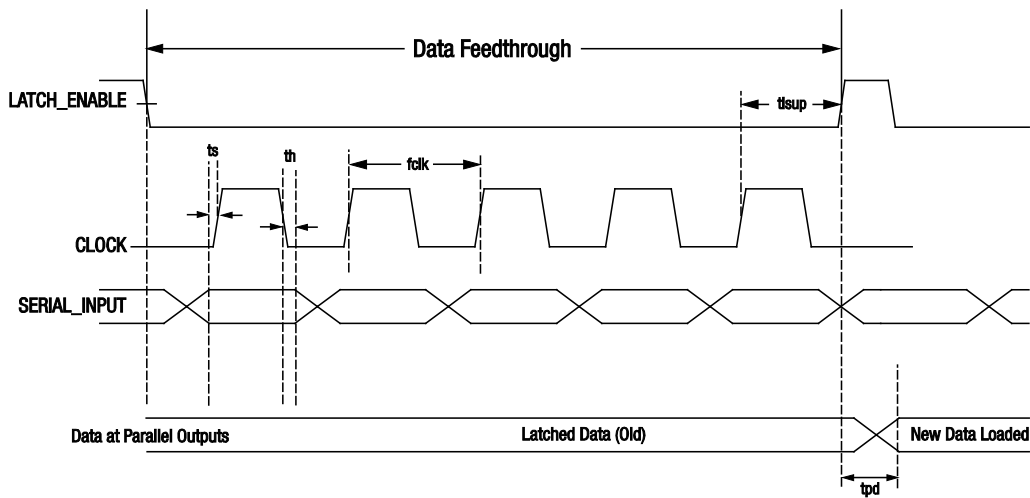
Figure 4 shows an example of how to set the attenuator to the 0.5 dB state. The progression of the bit states vs the clock signal is shown. The timing diagram shows that when the latch enable signal goes high, the voltages v1 to v5 set the attenuator to the 0.5 dB state.

Electrical and Mechanical Specifications

The absolute maximum ratings of the SKY12345-362LF are provided in Table 4. Electrical specifications are provided in Tables 5 and 6.

Typical performance characteristics of the SKY12345-362LF are illustrated in Figures 5 through 11.

The state of the SKY12345-362LF is determined by the logic provided in Table 7.



S1638

Figure 3. Power-Up/Power-Down Timing

Table 2. Power-Up/Power-Down Timing Parameters

Parameter	Symbol	V _{CC} = 5 V			V _{CC} = 3 V			Units
		Minimum	Typical	Maximum	Minimum	Typical	Maximum	
Serial input setup time	t _s		5			5		ns
Hold time from serial input to shift clock	t _h		5			5		ns
Setup time from shift clock to latch enable	t _{lsup}	40			100			ns
Propagation delay, latch enable to C0.5 through C8	t _{pd}			30			70	ns
Setup time from reset to shift clock	–	20			50			ns
Clock frequency	f _{CLK}			30			10	MHz

Table 3. Transition State Logic

LATCH_ENABLE (Pin 9)	CLOCK (Pin 8)	RESET (Pin 7)	Function
X	X	L	Shift register cleared
X	→	H	Shift register clocked
→	X	H	Contents of shift register transferred to digital attenuator

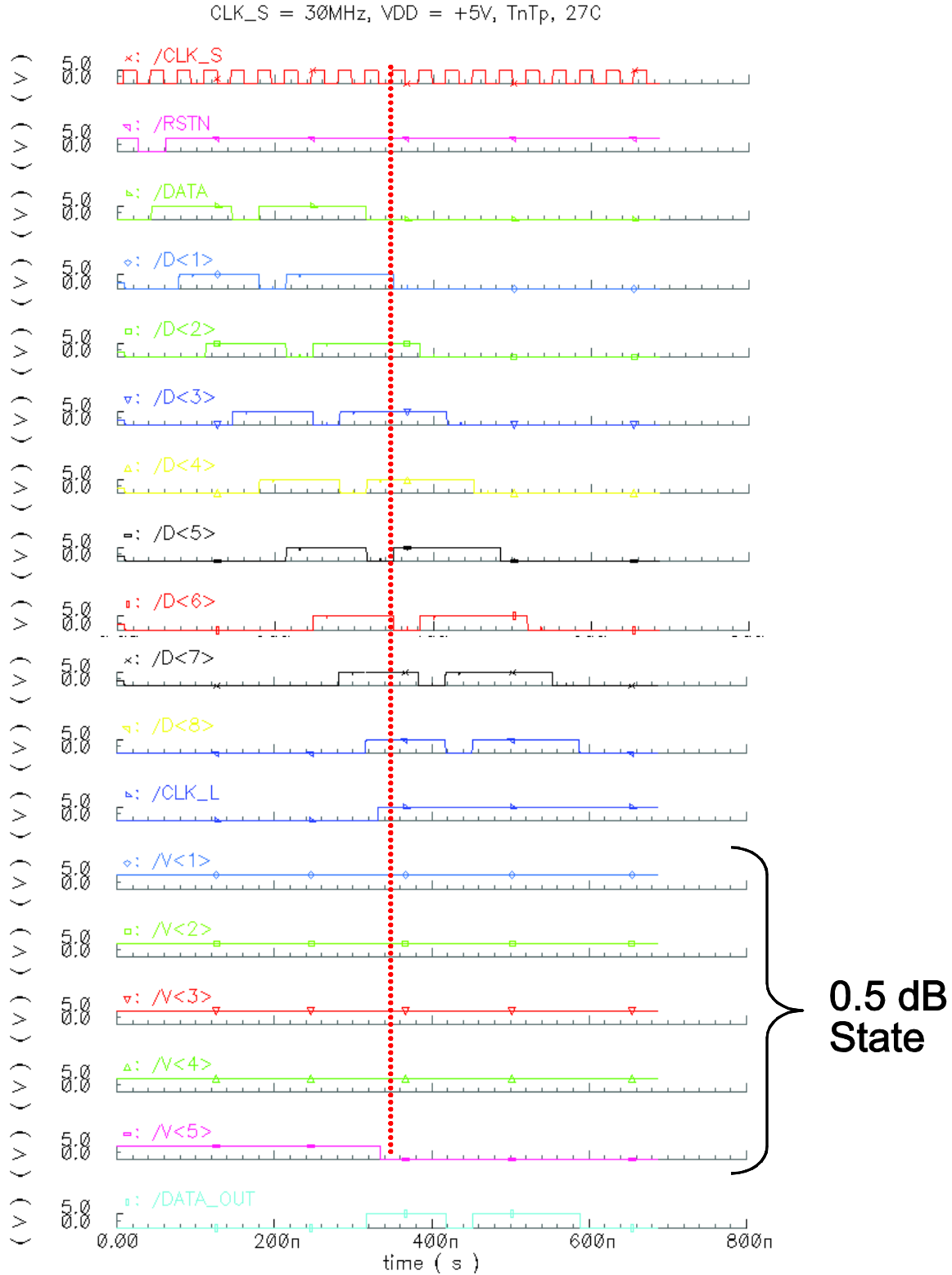


Figure 4. Example for Setting 0.5 dB State

Table 4. SKY12345-362LF Absolute Maximum Ratings

Parameter	Symbol	Minimum	Typical	Maximum	Units
RF input power @ 5 V	P _{IN}			+30	dBm
Supply voltage	V _{CC}			6	V
Control voltage	V _{CTL}	-0.2		+8	V
Operating temperature	T _{OP}	-40		+85	°C
Storage temperature	T _{STG}	-65		+150	°C

Note: Exposure to maximum rating conditions for extended periods may reduce device reliability. There is no damage to device with only one parameter set at the limit and all other parameters set at or below their nominal value. Exceeding any of the limits listed here may result in permanent damage to the device.

CAUTION: Although this device is designed to be as robust as possible, Electrostatic Discharge (ESD) can damage this device. This device must be protected at all times from ESD. Static charges may easily produce potentials of several kilovolts on the human body or equipment, which can discharge without detection. Industry-standard ESD precautions should be used at all times.

Table 5. SKY12345-362LF Electrical Specifications (1 of 2) (Note 1)

(V_{CC} = 3 to 5 V, V_{CTL} = 0 to 3 V and 5 V, T_{OP} = +25 °C, P_{IN} = 0 dBm, Characteristic Impedance [Z₀] = 50 Ω, , Unless Otherwise Noted)

Parameter	Symbol	Test Condition	Min	Typical	Max	Units
Insertion loss		0.7 to 1.4 GHz		1.2	1.5	dB
		1.4 to 2.3 GHz		1.3	2.0	dB
		2.3 to 2.7 GHz		1.8	2.3	dB
		2.7 to 4.0 GHz		2.0	2.7	dB
Attenuation range				15.5		dB
Attenuation accuracy		Attenuation referred to insertion loss, all attenuation states				
		0.7 to 0.9 GHz		±(0.5 + 5% of attenuation setting max)		dB
		0.9 to 2.2 GHz		±(0.3 + 4% of attenuation setting max)		dB
Return loss		RF1 and RF2 pins, all attenuation states				
		0.7 to 1.4 GHz	12	14		dB
		1.4 to 2.3 GHz	15	18		dB
		2.3 to 2.7 GHz	12	15		dB
Switching characteristics:						
On/rise time		50% V _{CTL} to 90% RF or 10/90% RF		1200		ns
Off/fall time		50% V _{CTL} to 10% RF or 90/10% RF		500		ns

Table 5. SKY12345-362LF Electrical Specifications (2 of 2) (Note 1)

($V_{CC} = 3$ to 5 V, $V_{CTL} = 0$ to 3 V and 5 V, $T_{OP} = +25$ °C, $P_{IN} = 0$ dBm, Characteristic Impedance [Z_0] = 50Ω , , Unless Otherwise Noted)

Parameter	Symbol	Test Condition	Min	Typical	Max	Units
Input power for 0.1 dB compression		0.7 to 3.8 GHz $V_{CC} = V_{CTL} = 5$ V $V_{CC} = V_{CTL} = 3$ V		+25 +23		dBm dBm
Input power for 1 dB compression		0.7 to 3.8 GHz $V_{CC} = V_{CTL} = 5$ V $V_{CC} = V_{CTL} = 3$ V		+32 +30		dBm dBm
3 rd Order Input Intercept Point	IIP3	0.7 to 3.8 GHz, for two-tone input power. 0 dBm/tone, 1 MHz spacing $V_{CC} = V_{CTL} = 5$ V $V_{CC} = V_{CTL} = 3$ V		+42 +42		dBm dBm

Note 1: Performance is guaranteed only under the conditions listed in this Table.

Table 6. DC Electrical Characteristics (Note 1)

($V_{CC} = 3$ to 5 V, $V_{CTL} = 0$ to 3 V and 5 V, $T_{OP} = +25$ °C, $P_{IN} = 0$ dBm, Characteristic Impedance [Z_0] = 50Ω , , Unless Otherwise Noted)

Parameter	Symbol	Test Condition	Min	Typical	Max	Units
Input voltage, high	V_{IH}	$V_{CC} = 3$ V $V_{CC} = 5$ V	2.3 3.5		3.0 5.0	V V
Input voltage, low	V_{IL}	$V_{CC} = 3$ V $V_{CC} = 5$ V	0 0		1.0 1.5	V V
Input leakage current	I_L			0.5		μ A
Quiescent current	I_{CC}			500		μ A
Supply voltage	V_{CC}		3.0	5.0	5.5	V

Note 1: Performance is guaranteed only under the conditions listed in this Table.

Typical Performance Characteristics

($V_{CC} = 5\text{ V}$, $V_{CTL} = 0\text{ to }5\text{ V}$, $T_{OP} = +25\text{ }^{\circ}\text{C}$, $P_{IN} = 0\text{ dBm}$, $C_{BLK} = 47\text{ pF}$, Characteristic Impedance [Z_0] = $50\text{ }\Omega$, , Unless Otherwise Noted)

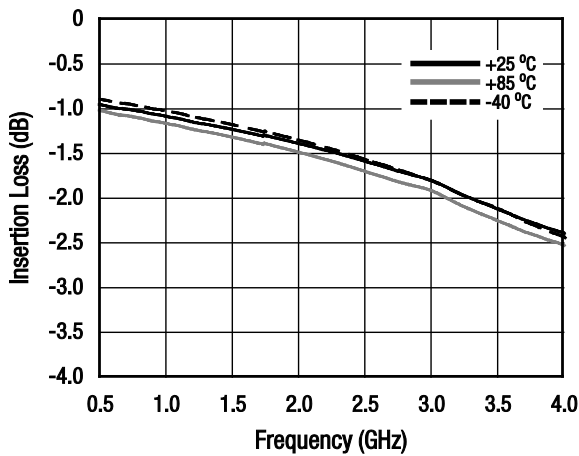


Figure 5. Insertion Loss vs Frequency

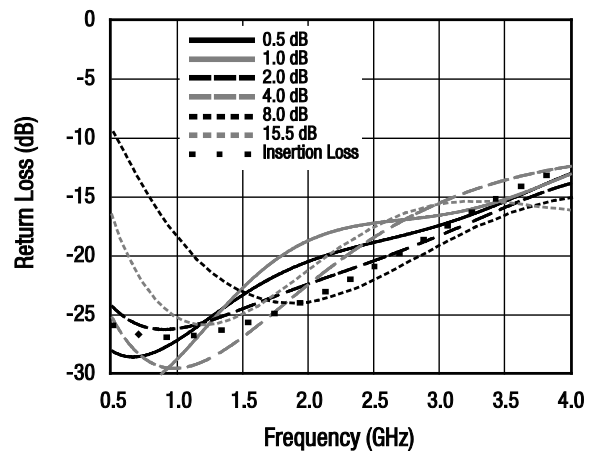


Figure 6. Return Loss: Major States

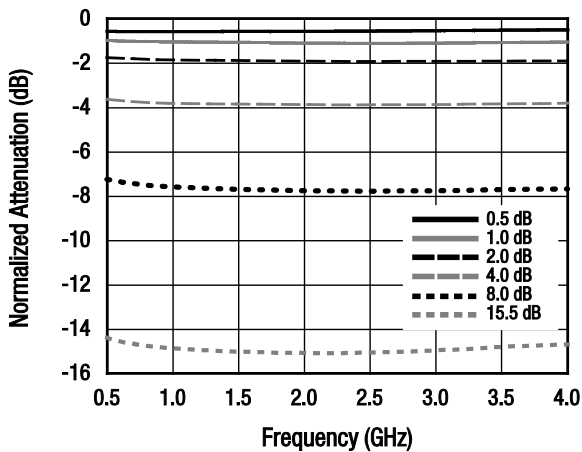


Figure 7. Normalized Attenuation: Major States

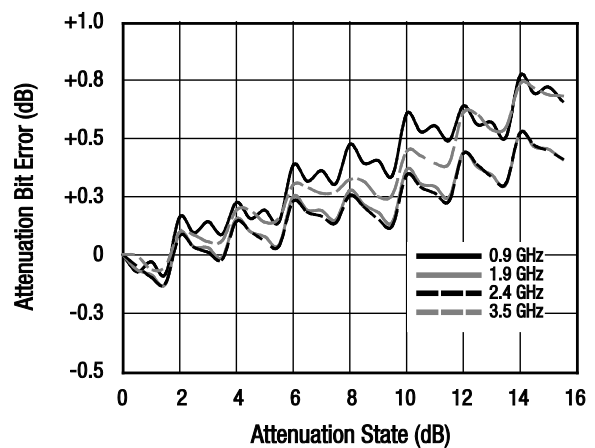


Figure 8. Attenuation Bit Error vs Attenuation State

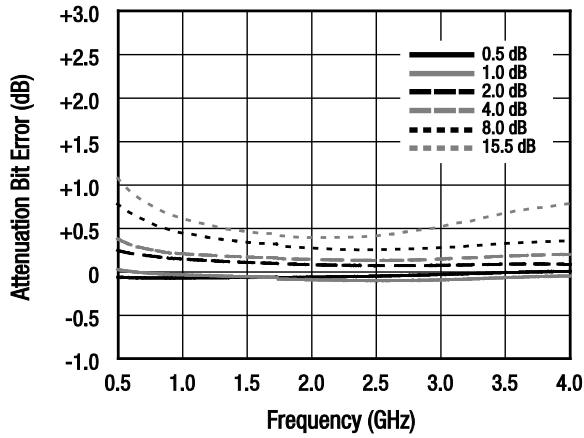


Figure 9. Attenuation Bit Error: Major States

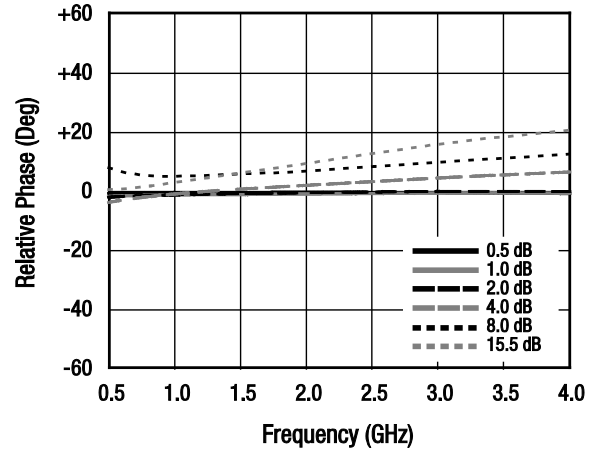


Figure 10. Relative Phase: Major States

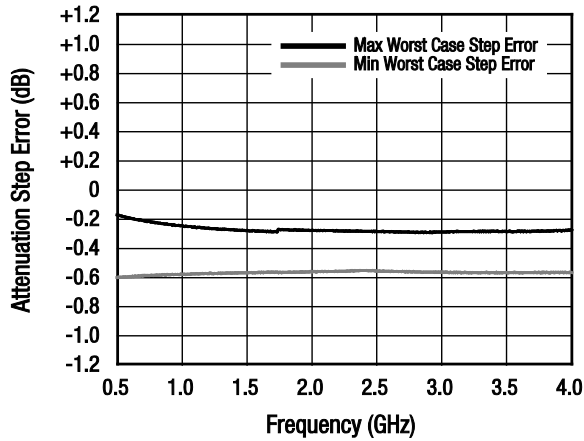


Figure 11. Worst Case Attenuation Step Error Between Successive Attenuation States

Table 7. SKY12345-362LF Truth Table

RF1/RF2 (Pins 2 & 17) Attenuation	RESET (Pin 7)	Serial Data Input				
		0.5 dB	1.0 dB	2.0 dB	4.0 dB	8.0 dB
Insertion loss	1	1	1	1	1	1
0.5 dB	1	0	1	1	1	1
1.0 dB	1	1	0	1	1	1
2.0 dB	1	1	1	0	1	1
4.0 dB	1	1	1	1	0	1
8.0 dB	1	1	1	1	1	0
15.5 dB	1	0	0	0	0	0
Insertion loss	0	X	X	X	X	X

Note: For Vcc = 5 V: "1" = VIH = +3.5 V to +5 V. "0" = VIL = 0 to +0.5 V.
 For Vcc = 3 V: "1" = VIH = +2.3 V to +3 V. "0" = VIL = 0 to +0.5 V.
 "X" = don't care. This Table shows the logic required for the major bits and full attenuation. Bit states need to be used in combination to set the sum of the bits selected.

Evaluation Board Description

The SKY12345-362LF Evaluation Board is used to test the performance of the SKY12345-362LF digital attenuator. An assembly drawing for the Evaluation Board is shown in Figure 12 and an Evaluation Board schematic diagram is shown in Figure 13.

Package Dimensions

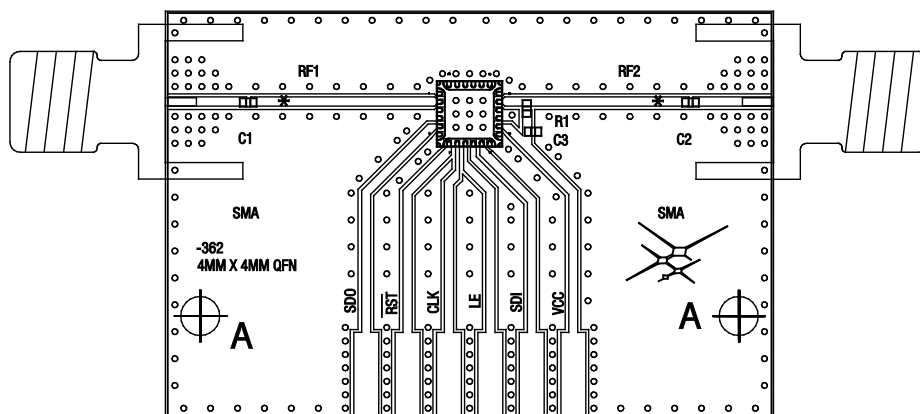
The PCB layout footprint for the SKY12345-362LF is shown in Figure 14. Typical case markings are noted in Figure 15. Package dimensions for the 24-pin QFN are shown in Figure 16, and tape and reel dimensions are provided in Figure 17.

Package and Handling Information

Instructions on the shipping container label regarding exposure to moisture after the container seal is broken must be followed. Otherwise, problems related to moisture absorption may occur when the part is subjected to high temperature during solder assembly.

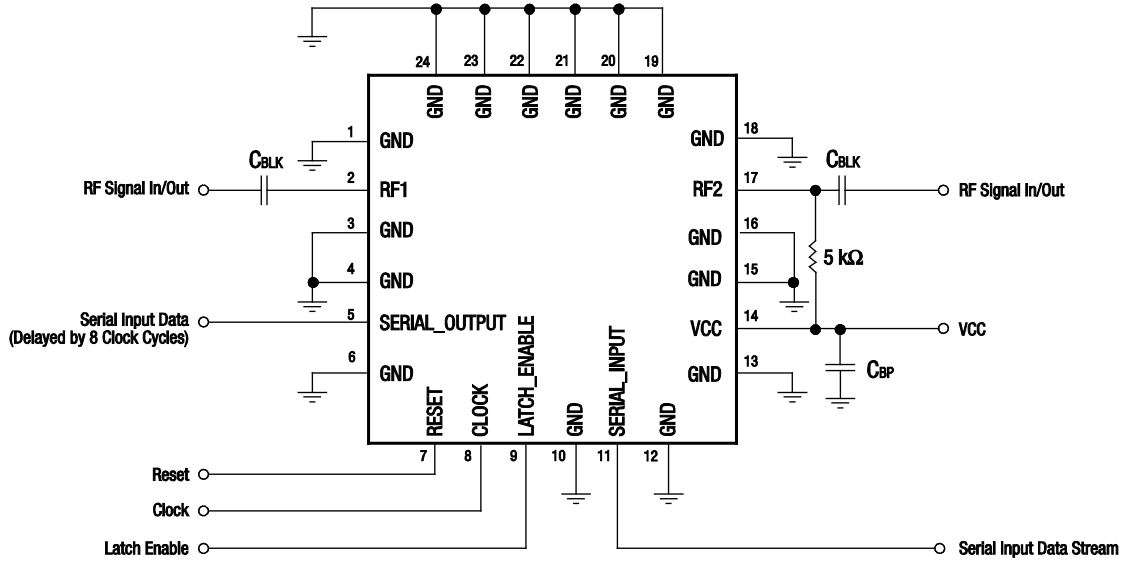
THE SKY12345-362LF is rated to Moisture Sensitivity Level 1 (MSL1) at 260 °C. It can be used for lead or lead-free soldering. For additional information, refer to the Skyworks Application Note, *Solder Reflow Information*, document number 200164.

Care must be taken when attaching this product, whether it is done manually or in a production solder reflow environment. Production quantities of this product are shipped in a standard tape and reel format. For packaging details, refer to the Skyworks Application Note, *Discrete Devices and IC Switch/Attenuators Tape and Reel Package Orientation*, document number 200083.



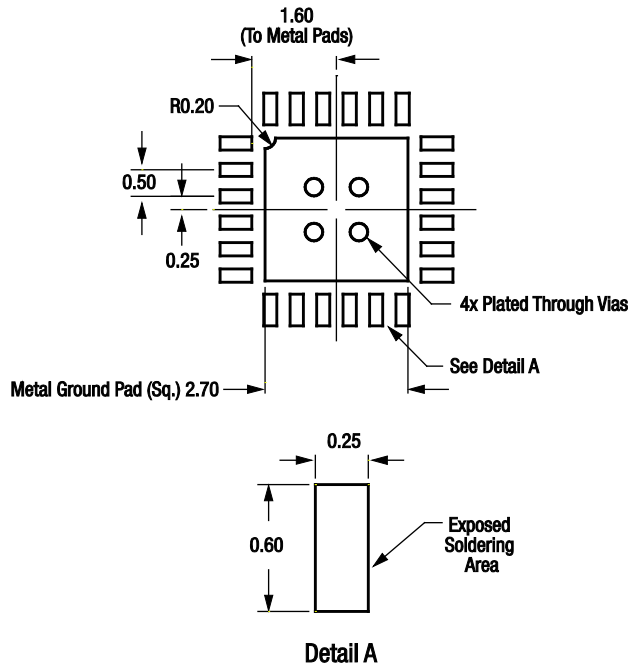
C1 = C2 = 47 to 300 pF
 C3 = 0.01 μF
 R1 = 5 kΩ

Figure 12. SKY12345-362LF Evaluation Board Assembly Diagram



S1636

Figure 13. SKY12345-362LF Evaluation Board Schematic Diagram



All dimensions are in millimeters

S1637

Figure 14. SKY12345-362LF PCB Layout Footprint

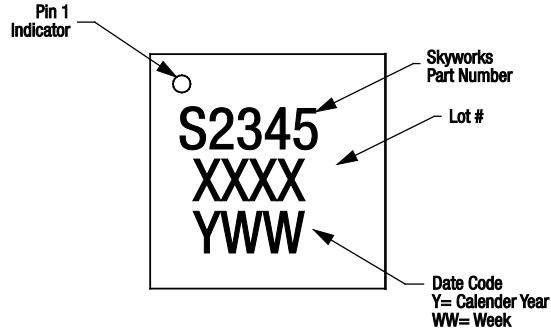
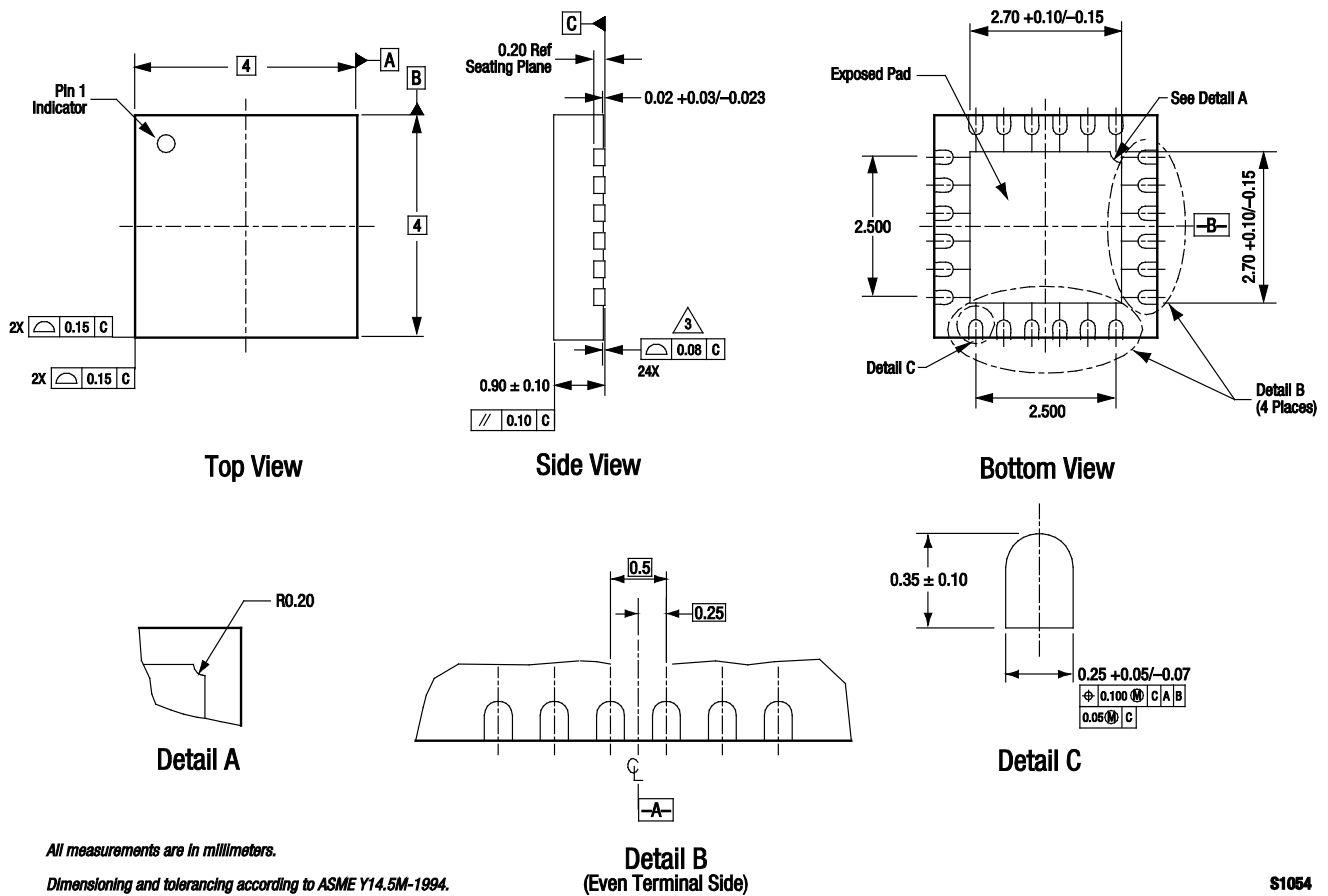


Figure 15. Typical Part Markings

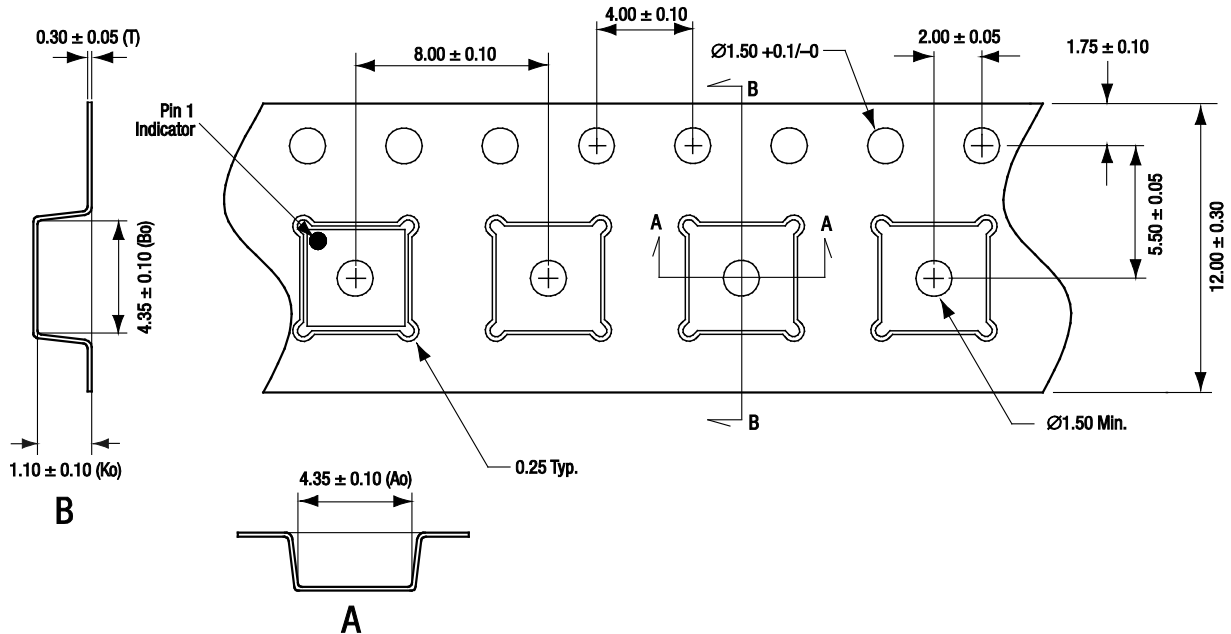


All measurements are in millimeters.

Dimensioning and tolerancing according to ASME Y14.5M-1994.

Figure 16. SKY12345-362LF 24-Pin QFN Package Dimensions

S1054



- Notes:**
1. Carrier tape material: black conductive polystyrene, non-bakeable
 2. Cover tape material: transparent conductive HSA
 3. Cover tape size: 9.2 mm width
 4. All measurements are in millimeters

S1846

Figure 17. SKY12345-362LF Tape and Reel Dimensions

Ordering Information

Model Name	Manufacturing Part Number	Evaluation Board Part Number
SKY12345-362LF Digital Attenuator	SKY12345-362LF	SKY12345-362LF-EVB

Copyright © 2009, 2011 Skyworks Solutions, Inc. All Rights Reserved.

Information in this document is provided in connection with Skyworks Solutions, Inc. ("Skyworks") products or services. These materials, including the information contained herein, are provided by Skyworks as a service to its customers and may be used for informational purposes only by the customer. Skyworks assumes no responsibility for errors or omissions in these materials or the information contained herein. Skyworks may change its documentation, products, services, specifications or product descriptions at any time, without notice. Skyworks makes no commitment to update the materials or information and shall have no responsibility whatsoever for conflicts, incompatibilities, or other difficulties arising from any future changes.

No license, whether express, implied, by estoppel or otherwise, is granted to any intellectual property rights by this document. Skyworks assumes no liability for any materials, products or information provided hereunder, including the sale, distribution, reproduction or use of Skyworks products, information or materials, except as may be provided in Skyworks Terms and Conditions of Sale.

THE MATERIALS, PRODUCTS AND INFORMATION ARE PROVIDED "AS IS" WITHOUT WARRANTY OF ANY KIND, WHETHER EXPRESS, IMPLIED, STATUTORY, OR OTHERWISE, INCLUDING FITNESS FOR A PARTICULAR PURPOSE OR USE, MERCHANTABILITY, PERFORMANCE, QUALITY OR NON-INFRINGEMENT OF ANY INTELLECTUAL PROPERTY RIGHT; ALL SUCH WARRANTIES ARE HEREBY EXPRESSLY DISCLAIMED. SKYWORKS DOES NOT WARRANT THE ACCURACY OR COMPLETENESS OF THE INFORMATION, TEXT, GRAPHICS OR OTHER ITEMS CONTAINED WITHIN THESE MATERIALS. SKYWORKS SHALL NOT BE LIABLE FOR ANY DAMAGES, INCLUDING BUT NOT LIMITED TO ANY SPECIAL, INDIRECT, INCIDENTAL, STATUTORY, OR CONSEQUENTIAL DAMAGES, INCLUDING WITHOUT LIMITATION, LOST REVENUES OR LOST PROFITS THAT MAY RESULT FROM THE USE OF THE MATERIALS OR INFORMATION, WHETHER OR NOT THE RECIPIENT OF MATERIALS HAS BEEN ADVISED OF THE POSSIBILITY OF SUCH DAMAGE.

Skyworks products are not intended for use in medical, lifesaving or life-sustaining applications, or other equipment in which the failure of the Skyworks products could lead to personal injury, death, physical or environmental damage. Skyworks customers using or selling Skyworks products for use in such applications do so at their own risk and agree to fully indemnify Skyworks for any damages resulting from such improper use or sale.

Customers are responsible for their products and applications using Skyworks products, which may deviate from published specifications as a result of design defects, errors, or operation of products outside of published parameters or design specifications. Customers should include design and operating safeguards to minimize these and other risks. Skyworks assumes no liability for applications assistance, customer product design, or damage to any equipment resulting from the use of Skyworks products outside of stated published specifications or parameters.

Skyworks, the Skyworks symbol, and "Breakthrough Simplicity" are trademarks or registered trademarks of Skyworks Solutions, Inc., in the United States and other countries. Third-party brands and names are for identification purposes only, and are the property of their respective owners. Additional information, including relevant terms and conditions, posted at www.skyworksinc.com, are incorporated by reference.



Стандарт Электрон Связь

Мы молодая и активно развивающаяся компания в области поставок электронных компонентов. Мы поставляем электронные компоненты отечественного и импортного производства напрямую от производителей и с крупнейших складов мира.

Благодаря сотрудничеству с мировыми поставщиками мы осуществляем комплексные и плановые поставки широчайшего спектра электронных компонентов.

Собственная эффективная логистика и склад в обеспечивает надежную поставку продукции в точно указанные сроки по всей России.

Мы осуществляем техническую поддержку нашим клиентам и предпродажную проверку качества продукции. На все поставляемые продукты мы предоставляем гарантию .

Осуществляем поставки продукции под контролем ВП МО РФ на предприятия военно-промышленного комплекса России , а также работаем в рамках 275 ФЗ с открытием отдельных счетов в уполномоченном банке. Система менеджмента качества компании соответствует требованиям ГОСТ ISO 9001.

Минимальные сроки поставки, гибкие цены, неограниченный ассортимент и индивидуальный подход к клиентам являются основой для выстраивания долгосрочного и эффективного сотрудничества с предприятиями радиоэлектронной промышленности, предприятиями ВПК и научно-исследовательскими институтами России.

С нами вы становитесь еще успешнее!

Наши контакты:

Телефон: +7 812 627 14 35

Электронная почта: sales@st-electron.ru

Адрес: 198099, Санкт-Петербург,
Промышленная ул, дом № 19, литера Н,
помещение 100-Н Офис 331