



## THE PRODUCT

The round form of the head of the DATEC-CONTROL range of enclosures allows the installation of larger displays with graphics capability.

Particular attention was also paid to the ergonomics of the new design.

The cases are thus very comfortable to hold and easy to operate.

## YOUR ADVANTAGE

Easy to use with a small hand grip area.

Installation of standardised LCDs possible (contact addresses on request).

Display windows protect the fitted display modules and guarantee a high protection class in the display area. Easy assembly with included adhesive foil.

In case of high power requirements, up to 5 AA batteries can be used (M/L).

Lid of battery compartment optionally with latch and / or fixed by screws (XS/S). Push-on end cover can be permanently fixed if needed.

Space for PCMCIA card (M/L), protected mounting – easy access.

## APPLICATIONS

Mobile data collection and transfer via modem, ISDN or infra-red technology.

Measuring and control technology. Digital control technology.

## PROTECTION CLASS

With sealing kit (acc.) and, in version II, in conjunction with the adhesive foil for the display window, protection class **IP 65** is possible with XS and S, as well as **IP 54** with M and L.

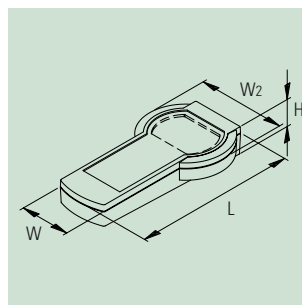
## MAX. SIZE OF PCB

| DATEC-CONTROL | L x W/W <sub>2</sub> in mm |              |
|---------------|----------------------------|--------------|
|               | base part                  | top part     |
| XS            | 190 x 46/82                | 150 x 47/83  |
| S             | 214 x 62/106               | 213 x 60/106 |
| M             | 207 x 80/118               | 113 x 78     |
| L             | 230 x 80/132               | 115 x 78     |

(without battery compartment, cutouts for pillars not taken into consideration)



Off-white, RAL 9002   
 Black, RAL 9005



## DATEC-CONTROL XS/S

|    | Outside dim. in mm |        |        |
|----|--------------------|--------|--------|
|    | Length             | Width  | Height |
| XS | 200                | 58/94  | 39.5   |
| S  | 228                | 72/117 | 47     |

|    | Optional battery compartments |
|----|-------------------------------|
| XS | 2 x 1.5 V mignon cells (AA)   |
|    | 3 x 1.5 V mignon cells (AA)   |
|    | 1 x 9 flat battery (PP3)      |
| S  | 4 x 1.5 V mignon cells (AA)   |
|    | 1 x 9 V flat battery (PP3)    |



## DATEC-CONTROL M/L

|   | Outside dim. in mm |        |        |
|---|--------------------|--------|--------|
|   | Length             | Width  | Height |
| M | 243                | 90/130 | 60     |
| L | 266                | 90/144 | 60     |

|     | Optional battery compartments |
|-----|-------------------------------|
| M/L | 4 x 1.5 V mignon cells (AA)   |
|     | 5 x 1.5 V mignon cells (AA)   |



## ENCLOSURES

| Part-No.    |             | DATEC-CONTROL | Outside dim. in mm |                  |      | Version / Equipment (dim. in mm) |                                 | Material                      |                |
|-------------|-------------|---------------|--------------------|------------------|------|----------------------------------|---------------------------------|-------------------------------|----------------|
| off-white   | black       |               | L                  | W/W <sub>2</sub> | H    | battery comp.                    | display cutout w <sub>x</sub> l |                               |                |
| A 90 76 107 | A 90 76 109 | XS            | 200                | 58/94            | 39.5 | I                                | • (see accessories ①)           | (no cutout)                   | ABS (UL 94 HB) |
| A 90 76 207 | A 90 76 209 |               |                    |                  |      | II                               | • (see accessories ①)           | 46 / R32.5 x 45* <sup>1</sup> | ABS (UL 94 HB) |
| A 90 77 107 | A 90 77 109 | S             | 228                | 72/117           | 47   | I                                | • (see accessories ①)           | (no cutout)                   | ABS (UL 94 HB) |
| A 90 77 207 | A 90 77 209 |               |                    |                  |      | II                               | • (see accessories ①)           | 56 / R39.5 x 54* <sup>1</sup> | ABS (UL 94 HB) |

## ENCLOSURE SET

| Part-No.    |             | Enclosure set DATEC-CONTROL | Equipment / Supply  |
|-------------|-------------|-----------------------------|---|
| off-white   | black       |                             |   |
| A 90 76 157 | A 90 76 159 | XS                          | 1 case vers. I with machining* <sup>6</sup> , 1 station, 1 male contact (station), 1 female contact (case)  |
| A 90 76 257 | A 90 76 259 |                             | 1 case vers. II with machining* <sup>6</sup> , 1 station, 1 male contact (station), 1 female contact (case) |
| A 90 77 157 | A 90 77 159 | S                           | 1 case vers. I with machining* <sup>6</sup> , 1 station, 1 male contact (station), 1 female contact (case)  |
| A 90 77 257 | A 90 77 259 |                             | 1 case vers. II with machining* <sup>6</sup> , 1 station, 1 male contact (station), 1 female contact (case) |

## ACCESSORIES

| Part-No.    | Article                        | For enclosure DATEC-CONTROL | Version / Application   |
|-------------|--------------------------------|-----------------------------|---|
| A 91 76 128 | ① Battery compartment          | XS                          | ABS, for 2 x 1.5 V mignon cells (AA) or 1 x 9 V flat battery (PP3)        |
| A 91 76 158 |                                | XS                          | ABS, for 3 x 1.5 V mignon cells (AA) in accordance with IEC LR6 standard! |
| A 91 74 004 |                                | S                           | ABS, for 4 x 1.5 V mignon cells (AA)                                      |
| A 91 77 310 |                                | S                           | ABS, for 1 x 9 V flat battery (PP3)                                       |
| A 91 76 007 | ② Set of battery clips         | XS                          | nickel-plated, for 2 x 1.5 V mignon cells (AA)                            |
| A 91 76 008 |                                | XS                          | nickel-plated, for 3 x 1.5 V mignon cells (AA)                            |
| A 91 61 001 |                                | S                           | tin-plated, for 4 x 1.5 V mignon cells (AA)                               |
| A 91 74 006 |                                | S                           | for 1 x 9 V flat battery (PP3)  |
| A 91 60 003 | ③ Plug-in contact              | XS, S                       | for 1 x 9 V flat battery (PP3)  |
| A 91 76 006 | ④ Sealing kit                  | XS                          | for sealing up to <b>IP 65</b>  |
| A 91 77 006 |                                | S                           | for sealing up to <b>IP 65</b>  |
| A 91 76 001 | ⑤ Display window* <sup>2</sup> | XS                          | transparent acrylic glass, without printing, as a set with adhesive foil  |
| A 91 77 001 |                                | S                           | transparent acrylic glass, without printing, as a set with adhesive foil  |
| A 91 76 108 | ⑥ Protector                    | XS                          | Elastomer, volcano, absorbs impacts and for surface protection            |
| A 91 77 008 |                                | S                           | Elastomer, volcano, absorbs impacts and for surface protection            |
| A 91 76 137 | ⑦ Station* <sup>7</sup>        | XS                          | ABS, desk case application, for charging electronics etc.                 |
| A 91 77 137 |                                | S                           | ABS, desk case application, for charging electronics etc.                 |
| A 92 26 337 | ⑧ Wall-suspension element      | XS                          | ABS, for secure storage of the cases                                      |
| A 92 26 227 |                                | S                           | ABS, for secure storage of the cases                                      |



\*<sup>1</sup> installation on existing fixing pillars in the top part or on the PCB; for a list of matching standard LCDs and contact addresses, please see Internet [www.okw.com](http://www.okw.com), Products section, link to Product information

\*<sup>2</sup> with individual screen printing, adapted to your visible display cutout as well as to cover the area of adhesive foil, on demand

\*<sup>6</sup> when using the 6-pin contacts and for reliable contacting

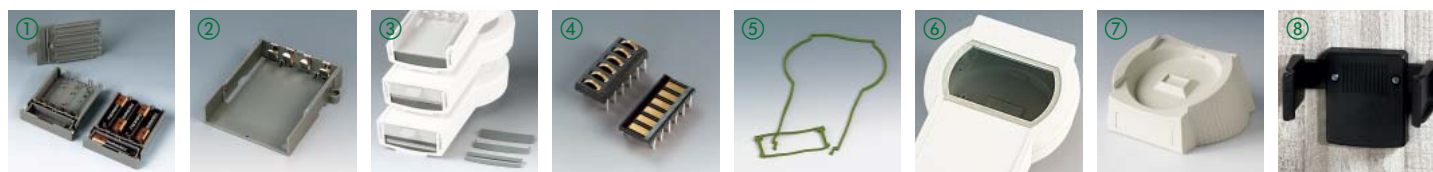
\*<sup>7</sup> station may be used with/without contacts; cover for use without contacts supplied with station, contacts as accessories (page 21)

## ENCLOSURES

| DATEC-CONTROL | Outside dim. in mm |                  |    | Version / Equipment (dim. in mm) |                                | Material                      | Part-No.       |             |             |
|---------------|--------------------|------------------|----|----------------------------------|--------------------------------|-------------------------------|----------------|-------------|-------------|
|               | L                  | W/W <sub>2</sub> | H  | battery compartment              | display cutout w <sub>xL</sub> |                               | off-white      | black       |             |
| M             | 243                | 90/130           | 60 | I                                | • (see acc. ①)                 | (no cutout)                   | ABS (UL 94 HB) | A 90 78 107 | A 90 78 109 |
|               | 243                | 90/130           | 60 | II                               | • (see acc. ①)                 | 71 / R44 x 51* <sup>1</sup>   | ABS (UL 94 HB) | A 90 78 207 | A 90 78 209 |
| L             | 266                | 90/144           | 60 | I                                | • (see acc. ①)                 | (no cutout)                   | ABS (UL 94 HB) | A 90 79 107 | A 90 79 109 |
|               | 266                | 90/144           | 60 | II                               | • (see acc. ①)                 | 73 / R49.5 x 66* <sup>1</sup> | ABS (UL 94 HB) | A 90 79 207 | A 90 79 209 |

## ACCESSORIES

| Article                             | For enclosure DATEC-CONTROL | Version / Application   | Part-No.    |             |
|-------------------------------------|-----------------------------|---|-------------|-------------|
| ① Battery compartment* <sup>3</sup> | M, L                        | PC, volcano, for 4 x 1.5 V mignon cells (AA)  | A 91 78 128 |             |
|                                     | M, L                        | PC, volcano, for 5 x 1.5 V mignon cells (AA)  | A 91 78 158 |             |
| ② Battery compartment holder        | M, L                        | PC, for the mounting of a battery comp. in the station and the case* <sup>4</sup>           | A 91 78 118 |             |
| ③ End plate for electronic area     | M, L                        | I, to close the electronic area, ABS, simple insertion into the guides                      | A 91 78 178 |             |
|                                     | M, L                        | II, for use with a PCMCIA-card type I, ABS, simple insertion into the guides                | A 91 78 188 |             |
|                                     | M, L                        | III, for use with a PCMCIA-card type I, ABS, simple insertion into the guides               | A 91 78 198 |             |
| ④ Contacts* <sup>8</sup>            | XS, S, M, L                 | contacts male for the station, 6-pole   | A 91 78 007 |             |
|                                     | XS, S, M, L                 | contacts female for the case, 6-pole  | A 91 78 008 |             |
| ⑤ Sealing kit                       | M                           | for sealing up to <b>IP 54</b>  | A 91 78 006 |             |
|                                     | L                           | for sealing up to <b>IP 54</b>  | A 91 79 006 |             |
| ⑥ Display window* <sup>2</sup>      | M                           | transparent acrylic glass, without printing, as a set with adhesive foil                    | A 91 78 001 |             |
|                                     | L                           | transparent acrylic glass, without printing, as a set with adhesive foil                    | A 91 79 001 |             |
|                                     |                             |   | off-white   | black       |
| ⑦ Station                           | M, L                        | ABS, desktop version* <sup>5</sup> , for charging electronics, another batt. comp. etc.     | A 91 78 137 | A 91 78 139 |
|                                     | M, L                        | ABS, wall-mounting vers.* <sup>5</sup> , for charging electronics, another batt. comp. etc. | A 91 78 167 | A 91 78 169 |
| ⑧ Wall-suspension element           | M, L                        | ABS, for secure storage of the enclosures   | A 92 26 117 | A 92 26 119 |



\*<sup>1</sup> installation on existing fixing pillars in the top part or on the PCB. For a list of matching standard LCDs and contact addresses, please see Internet [www.okw.com](http://www.okw.com), Products section, link to Product information

\*<sup>2</sup> with individual screen printing, adapted to your visible display cutout as well as to cover the area of adhesive foil, on demand

\*<sup>3</sup> battery compartment holder (②) necessary; the battery compartment snaps safely into position when it is pushed in

\*<sup>4</sup> for mounting the battery compartment holder there are two positions possible (upwards/downwards oriented) – according to the requirements of your components configuration PCBs etc.; with upwards oriented assembly, the end plate for electronic area is required as a support (see also picture page 19)

\*<sup>5</sup> new: additional ridge in the station for desk case application serves for easy remounting and bonding the contacts (④) by the weight of the hand part

\*<sup>8</sup> for practical use, machining is required for the following parts:  
cases DATEC-CONTROL XS and S (locator of a drill) as well as DATEC-CONTROL M and L (holes necessary for fitting), station M and L (holes necessary for fitting)

**NEW PRODUCT**





## Стандарт Электрон Связь

Мы молодая и активно развивающаяся компания в области поставок электронных компонентов. Мы поставляем электронные компоненты отечественного и импортного производства напрямую от производителей и с крупнейших складов мира.

Благодаря сотрудничеству с мировыми поставщиками мы осуществляем комплексные и плановые поставки широчайшего спектра электронных компонентов.

Собственная эффективная логистика и склад в обеспечивает надежную поставку продукции в точно указанные сроки по всей России.

Мы осуществляем техническую поддержку нашим клиентам и предпродажную проверку качества продукции. На все поставляемые продукты мы предоставляем гарантию .

Осуществляем поставки продукции под контролем ВП МО РФ на предприятия военно-промышленного комплекса России , а также работаем в рамках 275 ФЗ с открытием отдельных счетов в уполномоченном банке. Система менеджмента качества компании соответствует требованиям ГОСТ ISO 9001.

Минимальные сроки поставки, гибкие цены, неограниченный ассортимент и индивидуальный подход к клиентам являются основой для выстраивания долгосрочного и эффективного сотрудничества с предприятиями радиоэлектронной промышленности, предприятиями ВПК и научно-исследовательскими институтами России.

С нами вы становитесь еще успешнее!

### Наши контакты:

**Телефон:** +7 812 627 14 35

**Электронная почта:** [sales@st-electron.ru](mailto:sales@st-electron.ru)

**Адрес:** 198099, Санкт-Петербург,  
Промышленная ул, дом № 19, литера Н,  
помещение 100-Н Офис 331