

# HCPL-0708

## High Speed CMOS Optocoupler



### Data Sheet



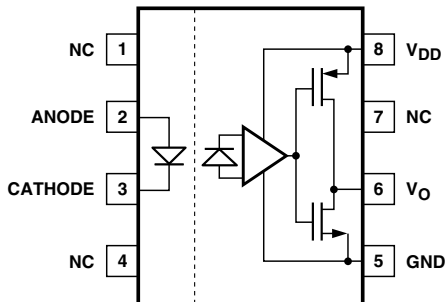
**Lead (Pb) Free**  
RoHS 6 fully compliant

RoHS 6 fully compliant options available;  
-xxxE denotes a lead-free product

#### Description

Available in SO-8 package, the HCPL-0708 optocoupler utilizes the latest CMOS IC technology to achieve outstanding performance with very low power consumption. Basic building blocks of the HCPL-0708 are a high speed LED and a CMOS detector IC. The detector incorporates an integrated photodiode, a high-speed transimpedance amplifier, and a voltage comparator with an output driver.

#### Functional Diagram



TRUTH TABLE

| LED | VO, OUTPUT |
|-----|------------|
| OFF | H          |
| ON  | L          |

\*A 0.1  $\mu$ F bypass capacitor must be connected between pins 5 and 8.

#### Features

- +5 V CMOS compatibility
- 15 ns typical pulse width distortion
- 30 ns max. pulse width distortion
- 40 ns max. propagation delay skew
- High speed: 15 MBd
- 60 ns max. propagation delay
- 10 kV/ $\mu$ s minimum common mode rejection
- -40 to 100°C temperature range
- Safety and regulatory approvals pending
  - UL recognized
    - 3750 V rms for 1 min. per UL 1577 for HCPL-0708
  - CSA component acceptance Notice #5
  - IEC/EN/DIN EN 60747-5-2 approved for HCPL-0708 Option 060

#### Applications

- Scan drive in PDP
- Digital field bus isolation: DeviceNet, SDS, Profibus
- Multiplexed data transmission
- Computer peripheral interface
- Microprocessor system interface

**CAUTION:** It is advised that normal static precautions be taken in handling and assembly of this component to prevent damage and/or degradation which may be induced by ESD.

## Ordering Information

HCPL-0708 is UL Recognized with 3750 Vrms for 1 minute per UL1577.

| Part Number | Option         |                    | Package | Surface Mount | Gull Wing | Tape & Reel | UL 5000 Vrms/<br>1 Minute rating | IEC/EN/DIN<br>EN 60747-5-2 | Quantity      |
|-------------|----------------|--------------------|---------|---------------|-----------|-------------|----------------------------------|----------------------------|---------------|
|             | RoHS Compliant | non RoHS Compliant |         |               |           |             |                                  |                            |               |
| HCPL-0708   | -000E          | no option          | SO-8    | X             |           |             |                                  |                            | 100 per tube  |
|             | -500E          | #500               |         | X             |           | X           |                                  |                            | 1500 per reel |
|             | -560E          | -                  |         | X             |           | X           | X                                |                            | 1500 per reel |

To order, choose a part number from the part number column and combine with the desired option from the option column to form an order entry.

Example 1:

HCPL-0708-500E to order product of Small Outline SO-8 package in Tape and Reel packaging and RoHS compliant.

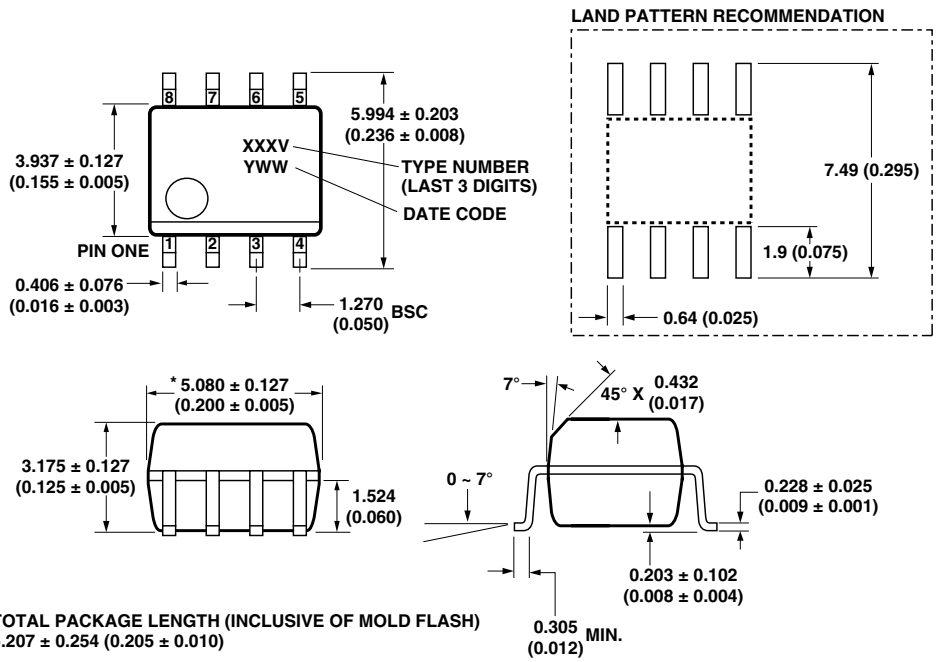
Example 2:

HCPL-0708 to order product of Small Outline SO-8 package in Tube packaging and non RoHS compliant.

Option datasheets are available. Contact your Avago sales representative or authorized distributor for information.

Remarks: The notation '#XXX' is used for existing products, while (new) products launched since July 15, 2001 and RoHS compliant will use '-XXXE'.

Package Outline Drawing



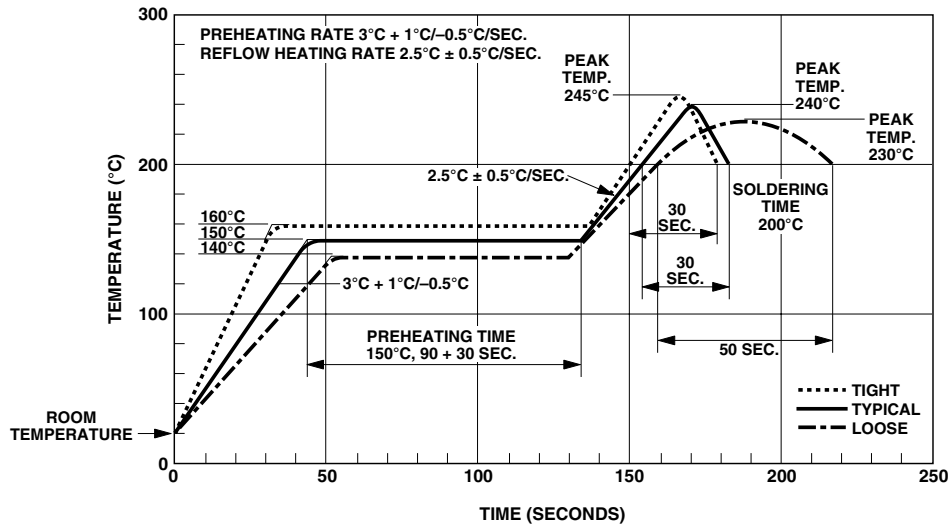
\* TOTAL PACKAGE LENGTH (INCLUSIVE OF MOLD FLASH)  
 $5.207 \pm 0.254$  ( $0.205 \pm 0.010$ )

DIMENSIONS IN MILLIMETERS (INCHES).  
 LEAD COPLANARITY = 0.10 mm (0.004 INCHES) MAX.

OPTION NUMBER 500 NOT MARKED.

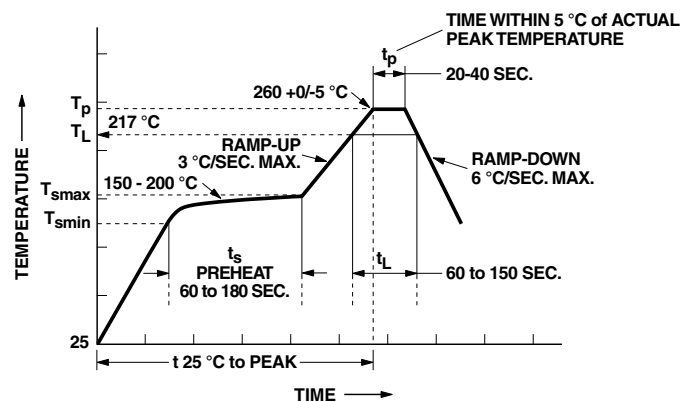
NOTE: FLOATING LEAD PROTRUSION IS 0.15 mm (6 mils) MAX.

## Solder Reflow Thermal Profile



Note: Non-halide flux should be used.

## Recommended Pb-Free IR Profile



NOTES:  
 THE TIME FROM  $25^{\circ}\text{C}$  TO PEAK TEMPERATURE = 8 MINUTES MAX.  
 $T_{smax} = 200^{\circ}\text{C}$ ,  $T_{smin} = 150^{\circ}\text{C}$

Note: Non-halide flux should be used.

## Regulatory Information

The HCPL-0708 has been approved by the following organizations:

UL

Recognized under UL 1577, component recognition program, File E55361.

CSA

Approved under CSA Component Acceptance Notice #5, File CA88324.

IEC/EN/DIN EN 60747-5-2

Approved under:

IEC 60747-5-2:1997 + A1:2002

EN 60747-5-2:2001 + A1:2002

DIN EN 60747-5-2 (VDE 0884Teil 2):2003-01 (Option 060 only)

### Insulation and Safety Related Specifications

| Parameter   | Symbol | Value | Units | Conditions  |
|---|--------|-------|-------|---|
| Minimum External Air Gap (Clearance)              | L(I01) | 4.9   | mm    | Measured from input terminals to output terminals, shortest distance through air.             |
| Minimum External Tracking (Creepage)              | L(I02) | 4.8   | mm    | Measured from input terminals to output terminals, shortest distance path along body.         |
| Minimum Internal Plastic Gap (Internal Clearance) |        | 0.08  | mm    | Insulation thickness between emitter and detector; also known as distance through insulation. |
| Tracking Resistance (Comparative Tracking Index)  | CTI    | ≥175  | Volts | DIN IEC 112/VDE 0303 Part 1   |
| Isolation Group                                   |        | IIIa  |       | Material Group (DIN VDE 0110, 1/89, Table 1)  |

All Avago data sheets report the creepage and clearance inherent to the optocoupler component itself. These dimensions are needed as a starting point for the equipment designer when determining the circuit insulation requirements. However, once mounted on a printed circuit board, minimum creepage and clearance requirements must be met as specified for individual equipment standards. For creepage, the shortest distance path along

the surface of a printed circuit board between the solder fillets of the input and output leads must be considered. There are recommended techniques such as grooves and ribs which may be used on a printed circuit board to achieve desired creepage and clearances. Creepage and clearance distances will also change depending on factors such as pollution degree and insulation level.

## IEC/EN/DIN EN 60747-5-2 Insulation Related Characteristics (Option 060)

| Description  | Symbol         | HCPL-0708 Option 060 | Units    |
|--|----------------|----------------------|----------|
| Installation classification per DIN VDE 0110/1.89, Table 1<br>for rated mains voltage $\leq 150$ V rms<br>for rated mains voltage $\leq 300$ V rms<br>for rated mains voltage $\leq 450$ V rms |                | I-IV<br>I-III        |          |
| Climatic Classification  |                | 55/85/21             |          |
| Pollution Degree (DIN VDE 0110/1.89)   |                | 2                    |          |
| Maximum Working Insulation Voltage   | $V_{IORM}$     | 560                  | V peak   |
| Input to Output Test Voltage, Method b†<br>$V_{IORM} \times 1.875 = V_{PR}$ , 100% Production<br>Test with $t_m = 1$ sec, Partial Discharge $< 5$ pC   | $V_{PR}$       | 1050                 | V peak   |
| Input to Output Test Voltage, Method a†<br>$V_{IORM} \times 1.5 = V_{PR}$ , Type and Sample Test,<br>$t_m = 60$ sec, Partial Discharge $< 5$ pC  | $V_{PR}$       | 840                  | V peak   |
| Highest Allowable Overvoltage†<br>(Transient Overvoltage, $t_{ini} = 10$ sec)  | $V_{IOTM}$     | 4000                 | V peak   |
| Safety Limiting Values<br>(Maximum values allowed in the event of a failure,<br>also see Thermal Derating curve, Figure 11.)   |                |                      |          |
| Case Temperature   | $T_S$          | 150                  | °C       |
| Input Current  | $I_{S,INPUT}$  | 150                  | mA       |
| Output Power   | $P_{S,OUTPUT}$ | 600                  | mW       |
| Insulation Resistance at $T_S$ , $V_{10} = 500$ V  | $R_{IO}$       | $\geq 10^9$          | $\Omega$ |

†Refer to the front of the optocoupler section of the Isolation and Control Component Designer's Catalog, under Product Safety Regulations section IEC/EN/DIN EN 60747-5-2, for a detailed description.

### Absolute Maximum Ratings

| Parameter                                    | Symbol   | Min.  | Max.            | Units | Figure |
|--|----------|---|-----------------|-------|--------|
| Storage Temperature                          | $T_S$    | -55   | 125             | °C    |        |
| Ambient Operating Temperature <sup>[1]</sup> | $T_A$    | -40   | +100            | °C    |        |
| Supply Voltages                              | $V_{DD}$ | 0   | 6               | Volts |        |
| Output Voltage                               | $V_O$    | -0.5  | $V_{DD2} + 0.5$ | Volts |        |
| Average Output Current                       | $I_O$    |   | 2               | mA    |        |
| Average Forward Input Current                | $I_F$    |   | 20              | mA    |        |
| Lead Solder Temperature                      |          | 260°C for 10 sec., 1.6 mm below seating plane |                 |       |        |
| Solder Reflow Temperature Profile            |          | See Solder Reflow Temperature Profile Section |                 |       |        |

### Recommended Operating Conditions

| Parameter                     | Symbol   | Min. | Max. | Units | Figure |
|-------------------------------|----------|------|------|-------|--------|
| Ambient Operating Temperature | $T_A$    | -40  | +100 | °C    |        |
| Supply Voltages               | $V_{DD}$ | 4.5  | 5.5  | V     |        |
| Input Current (ON)            | $I_F$    | 10   | 16   | mA    | 1, 2   |

## Electrical Specifications

Over recommended temperature ( $T_A = -40^{\circ}\text{C}$  to  $+100^{\circ}\text{C}$ ) and  $4.5\text{ V} \leq V_{DD} \leq 5.5\text{ V}$ .

All typical specifications are at  $T_A = 25^{\circ}\text{C}$ ,  $V_{DD} = +5\text{ V}$ .

| Parameter                        | Symbol    | Min. | Typ. | Max. | Units | Test Conditions                                   | Fig. | Notes |
|----------------------------------|-----------|------|------|------|-------|---|------|-------|
| Input Forward Voltage            | $V_F$     | 1.3  | 1.5  | 1.8  | V     | $I_F = 12\text{ mA}$                              | 1    |       |
| Input Reverse Breakdown Voltage  | $BV_R$    | 5    |      |      | V     | $I_R = 10\text{ }\mu\text{A}$                     |      |       |
| Logic High Output Voltage        | $V_{OH}$  | 4.0  | 4.8  |      | V     | $I_F = 0, I_O = -20\text{ }\mu\text{A}$           |      |       |
| Logic Low Output Voltage         | $V_{OL}$  |      | 0.01 | 0.1  | V     | $I_F = 12\text{ mA}, I_O = 20\text{ }\mu\text{A}$ |      |       |
| Input Threshold Current          | $I_{TH}$  |      |      | 8.2  | mA    | $I_{OL} = 20\text{ }\mu\text{A}$                  | 2    |       |
| Logic Low Output Supply Current  | $I_{DDL}$ |      | 6.0  | 14.0 | mA    | $I_F = 12\text{ mA}$                              | 4    |       |
| Logic High Output Supply Current | $I_{DDH}$ |      | 4.5  | 11.0 | mA    | $I_F = 0$   | 3    |       |

## Switching Specifications

Over recommended temperature ( $T_A = -40^{\circ}\text{C}$  to  $+100^{\circ}\text{C}$ ) and  $4.5\text{ V} \leq V_{DD} \leq 5.5\text{ V}$ .

All typical specifications are at  $T_A = 25^{\circ}\text{C}$ ,  $V_{DD} = +5\text{ V}$ .

| Parameter   | Symbol    | Min. | Typ. | Max. | Units             | Test Conditions   | Fig. | Notes |
|---|-----------|------|------|------|-------------------|---|------|-------|
| Propagation Delay Time to Logic Low Output          | $t_{PHL}$ | 20   | 35   | 60   | ns                | $I_F = 12\text{ mA}, C_L = 15\text{ pF}$<br>CMOS Signal Levels              | 5    | 1     |
| Propagation Delay Time to Logic High Output         | $t_{PLH}$ | 13   | 21   | 60   | ns                | $I_F = 12\text{ mA}, C_L = 15\text{ pF}$<br>CMOS Signal Levels              | 5    | 1     |
| Pulse Width   | PW        | 100  |      |      | ns                |   |      |       |
| Pulse Width Distortion                              | PWD       | 0    | 14   | 30   | ns                | $I_F = 12\text{ mA}, C_L = 15\text{ pF}$<br>CMOS Signal Levels              | 2    | 2     |
| Propagation Delay Skew                              | $t_{PSK}$ |      |      | 40   | ns                | $I_F = 12\text{ mA}, C_L = 15\text{ pF}$<br>CMOS Signal Levels              | 3    | 3     |
| Output Rise Time (10 - 90%)                         | $t_R$     |      | 20   |      | ns                | $I_F = 12\text{ mA}, C_L = 15\text{ pF}$<br>CMOS Signal Levels              |      |       |
| Output Fall Time (90 - 10%)                         | $t_F$     |      | 25   |      | ns                | $I_F = 12\text{ mA}, C_L = 15\text{ pF}$<br>CMOS Signal Levels              |      |       |
| Common Mode Transient Immunity at Logic High Output | $ CM_H $  | 10   | 15   |      | kV/ $\mu\text{s}$ | $V_{CM} = 1000\text{ V}, T_A = 25^{\circ}\text{C},$<br>$I_F = 0\text{ mA}$  | 4    | 4     |
| Common Mode Transient Immunity at Logic Low Output  | $ CM_L $  | 10   | 15   |      | kV/ $\mu\text{s}$ | $V_{CM} = 1000\text{ V}, T_A = 25^{\circ}\text{C},$<br>$I_F = 12\text{ mA}$ | 5    | 5     |

## Package Characteristics

All Typicals at  $T_A = 25^\circ\text{C}$ .

| Parameter                                | Symbol    | Min. | Typ.      | Max. | Units            | Test Conditions  |
|--|-----------|------|-----------|------|------------------|--|
| Input-Output Insulation                  | $I_{I-O}$ |      |           | 1    | $\mu\text{A}$    | 45% RH, $t = 5 \text{ s}$<br>$V_{I-O} = 3 \text{ kV dc}$ ,<br>$T_A = 25^\circ\text{C}$ |
| Input-Output Momentary Withstand Voltage | $V_{ISO}$ | 3750 |           |      | $V_{\text{rms}}$ | $\text{RH} \leq 50\%$ , $t = 1 \text{ min.}$ ,<br>$T_A = 25^\circ\text{C}$             |
| Input-Output Resistance                  | $R_{I-O}$ |      | $10^{12}$ |      | $\Omega$         | $V_{I-O} = 500 \text{ V dc}$   |
| Input-Output Capacitance                 | $C_{I-O}$ |      | 0.6       |      | $\text{pF}$      | $f = 1 \text{ MHz}$ , $T_A = 25^\circ\text{C}$   |

### Notes:

- $t_{\text{PHL}}$  propagation delay is measured from the 50% level on the rising edge of the input pulse to the 2.5 V level of the falling edge of the  $V_O$  signal.  $t_{\text{PLH}}$  propagation delay is measured from the 50% level on the falling edge of the input pulse to the 2.5 V level of the rising edge of the  $V_O$  signal.
- PWD is defined as  $|t_{\text{PHL}} - t_{\text{PLH}}|$ .
- $t_{\text{PSK}}$  is equal to the magnitude of the worst case difference in  $t_{\text{PHL}}$  and/or  $t_{\text{PLH}}$  that will be seen between units at any given temperature within the recommended operating conditions.
- $\text{CM}_H$  is the maximum tolerable rate of rise of the common mode voltage to assure that the output will remain in a high logic state.
- $\text{CM}_L$  is the maximum tolerable rate of fall of the common mode voltage to assure that the output will remain in a low logic state.



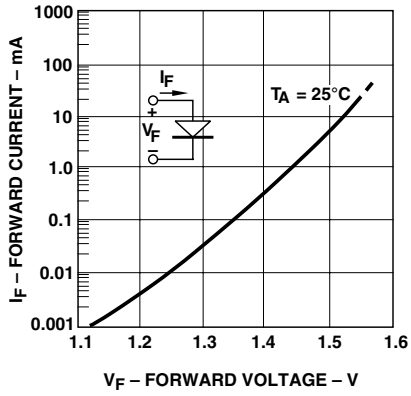


Figure 1. Typical input diode forward characteristic.

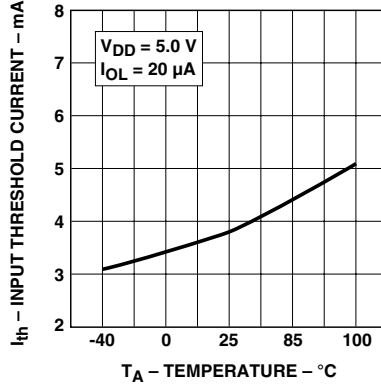


Figure 2. Typical input threshold current vs. temperature.

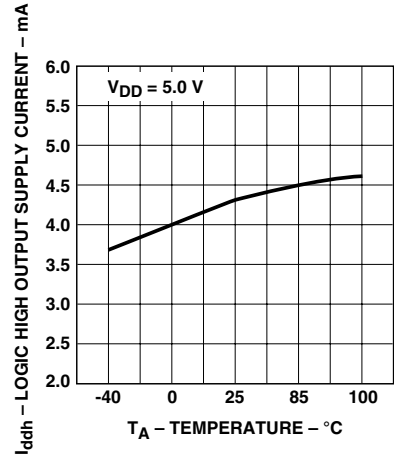


Figure 3. Typical logic high O/P supply current vs. temperature.

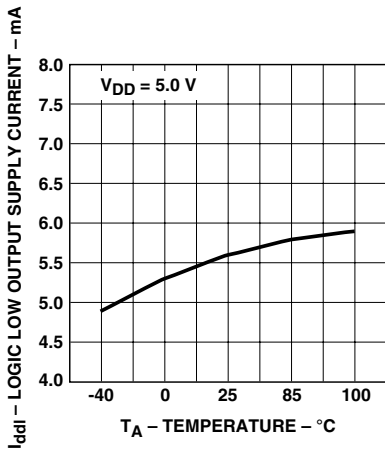


Figure 4. Typical logic low O/P supply current vs. temperature.

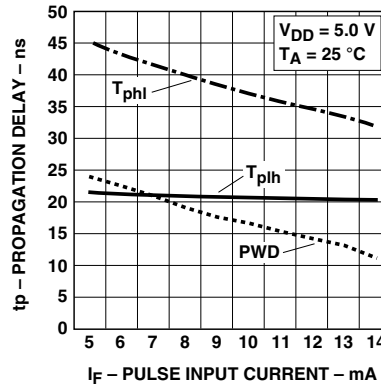


Figure 5. Typical switching speed vs. pulse input current.

## Application Information

### Bypassing and PC Board Layout

The HCPL-0708 optocoupler is extremely easy to use. No external interface circuitry is required because the HCPL-0708 uses high-speed CMOS IC technology allowing CMOS logic to be connected directly to the inputs and outputs.

As shown in Figure 6, the only external component required for proper operation is the bypass capacitor. Capacitor values should be between  $0.01\ \mu\text{F}$  and  $0.1\ \mu\text{F}$ . For each capacitor, the total lead length between both ends of the capacitor and the power-supply pins should not exceed 20 mm. Figure 7 illustrates the recommended printed circuit board layout for the HCPL-0708.

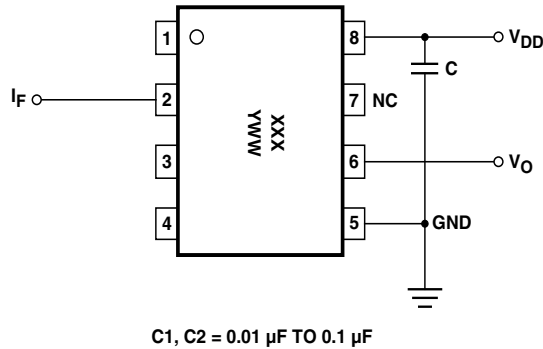


Figure 6. Recommended printed circuit board layout.

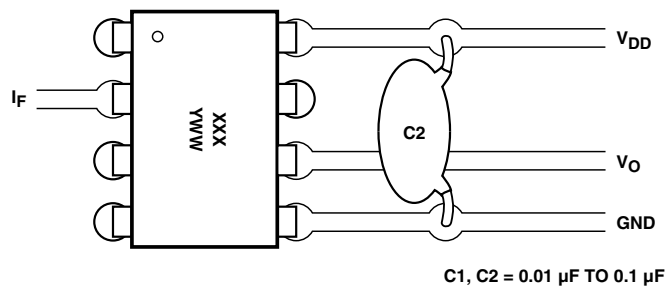


Figure 7. Recommended printed circuit board layout.

### Propagation Delay, Pulse-Width Distortion and Propagation Delay Skew

Propagation Delay is a figure of merit which describes how quickly a logic signal propagates through a system. The propagation delay from low to high ( $t_{PLH}$ ) is the amount of time required for an input signal to propagate to the output, causing the output to change from low

to high. Similarly, the propagation delay from high to low ( $t_{PHL}$ ) is the amount of time required for the input signal to propagate to the output, causing the output to change from high to low. See Figure 8.

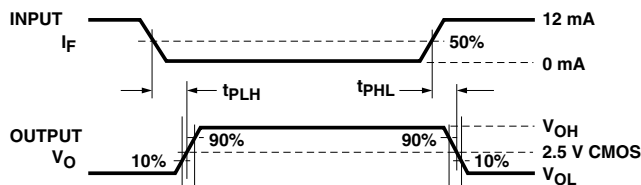


Figure 8.

Pulse-width distortion (PWD) is the difference between  $t_{PHL}$  and  $t_{PLH}$  and often determines the maximum data rate capability of a transmission system. PWD can be expressed in percent by dividing the PWD (in ns) by the minimum pulse width (in ns) being transmitted. Typically, PWD on the order of 20 - 30% of the minimum pulse width is tolerable; the exact figure depends on the particular application.

Propagation delay skew,  $t_{PSK}$ , is an important parameter to consider in parallel data applications where synchronization of signals on parallel data lines is a concern. If the parallel data is being sent through a group of optocouplers, differences in propagation delays will cause the data to arrive at the outputs of the optocouplers at different times. If this difference in propagation delay is large enough it will determine the maximum rate at which parallel data can be sent through the optocouplers.

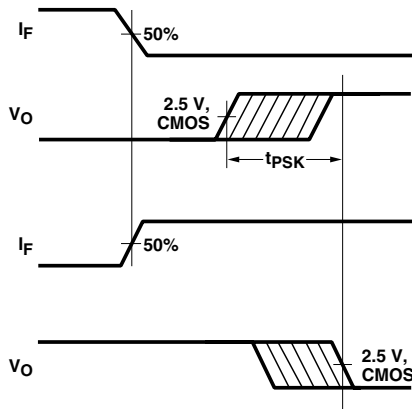


Figure 9. Propagation delay skew waveform.

Propagation delay skew represents the uncertainty of where an edge might be after being sent through an optocoupler. Figure 10 shows that there will be uncertainty in both the data and clock lines. It is important that these two areas of uncertainty not overlap, otherwise the clock signal might arrive before all of the data outputs have settled, or some of the data outputs may start to change before the clock signal has arrived. From these considerations, the absolute minimum pulse width that can be sent

through optocouplers in a parallel application is twice  $t_{PSK}$ . A cautious design should use a slightly longer pulse width to ensure that any additional uncertainty in the rest of the circuit does not cause a problem.

The HCPL-0708 optocouplers offer the advantage of guaranteed specifications for propagation delays, pulse-width distortion, and propagation delay skew over the recommended temperature and power supply ranges.

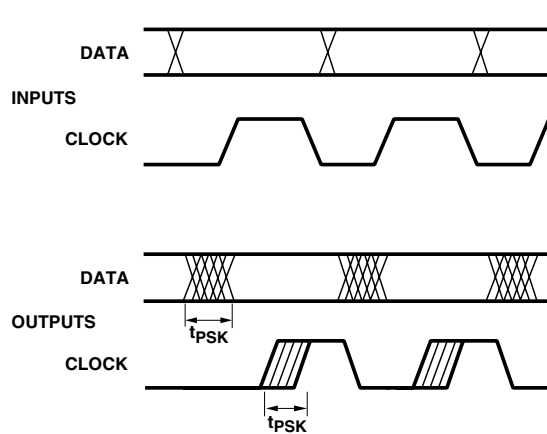


Figure 10. Parallel data transmission example.

For product information and a complete list of distributors, please go to our web site: [www.avagotech.com](http://www.avagotech.com)

Avago, Avago Technologies, and the A logo are trademarks of Avago Technologies, Limited in the United States and other countries. Data subject to change. Copyright © 2007 Avago Technologies Limited. All rights reserved. Obsoletes AV02-0877EN

AV02-0877EN January 8, 2008





## Стандарт Электрон Связь

Мы молодая и активно развивающаяся компания в области поставок электронных компонентов. Мы поставляем электронные компоненты отечественного и импортного производства напрямую от производителей и с крупнейших складов мира.

Благодаря сотрудничеству с мировыми поставщиками мы осуществляем комплексные и плановые поставки широчайшего спектра электронных компонентов.

Собственная эффективная логистика и склад в обеспечивает надежную поставку продукции в точно указанные сроки по всей России.

Мы осуществляем техническую поддержку нашим клиентам и предпродажную проверку качества продукции. На все поставляемые продукты мы предоставляем гарантию .

Осуществляем поставки продукции под контролем ВП МО РФ на предприятия военно-промышленного комплекса России , а также работаем в рамках 275 ФЗ с открытием отдельных счетов в уполномоченном банке. Система менеджмента качества компании соответствует требованиям ГОСТ ISO 9001.

Минимальные сроки поставки, гибкие цены, неограниченный ассортимент и индивидуальный подход к клиентам являются основой для выстраивания долгосрочного и эффективного сотрудничества с предприятиями радиоэлектронной промышленности, предприятиями ВПК и научно-исследовательскими институтами России.

С нами вы становитесь еще успешнее!

### Наши контакты:

**Телефон:** +7 812 627 14 35

**Электронная почта:** [sales@st-electron.ru](mailto:sales@st-electron.ru)

**Адрес:** 198099, Санкт-Петербург,  
Промышленная ул, дом № 19, литера Н,  
помещение 100-Н Офис 331