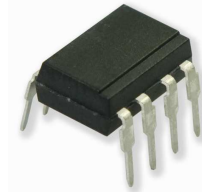


LTV-3120

2.5 Amp Output Current IGBT Gate Driver Optocoupler with Rail-to-Rail Output Voltage

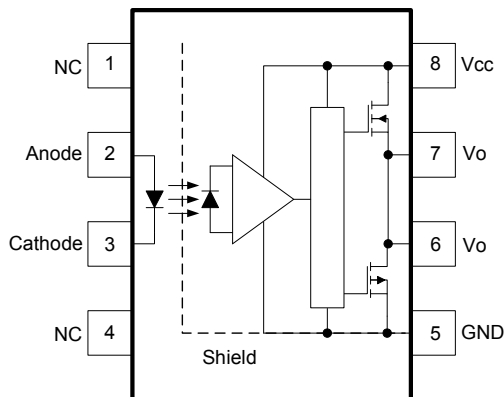


Description

The LTV-3120 optocoupler is ideally suited for driving power IGBTs and MOSFETs used in motor control inverter applications and inverters in power supply system. It contains a AlGaAs LED optically coupled to an integrated circuit with a power output stage. The 2.5A peak output current is capable of directly driving most IGBTs with ratings up to 1200 V/100 A. For IGBTs with higher ratings, the LTV-3120 series can be used to drive a discrete power stage which drives the IGBT gate.

The Optocoupler operational parameters are guaranteed over the temperature range from -40°C ~ +100°C.

Functional Diagram



Truth Table

LED	V _{CC} -GND (Turn-ON, +ve going)	V _{CC} -GND (Turn-OFF, -ve going)	V _O
OFF	0 - 30 V	0 - 30 V	Low
ON	0 - 11.5 V	0 - 10 V	Low
ON	11.5 - 13.5 V	10 - 12 V	Transition
ON	13.5 - 30 V	12 - 30 V	High

A 0.1μF bypass Capacitor must be connected between Pin 5 and 8. (Note 8)

Features

- 2.5 A maximum peak output current
- 2.0A minimum peak output current
- Rail-to-rail output voltage
- 400 ns maximum propagation delay
- 250 ns maximum propagation delay difference
- Under Voltage Lock-Out protection (UVLO) with hysteresis
- 25 kV/us minimum Common Mode Rejection (CMR) at V_{CM} = 1500 V
- I_{CC} = 3.0 mA maximum supply current
- Wide operating range: 15 to 30 Volts (V_{CC})
- Guaranteed performance over temperature -40°C ~ +100°C.
- Offer low power dissipation with R_{ON} ≤ 1Ω
- MSL Level 1
- Safety approval:

UL/ cUL 1577, Cert. No.E113898.

5000 Vrms/1 min

VDE DIN EN60747-5-5, Cert. No. 40015248

V_{IORM} = 630 V_{peak}

Application

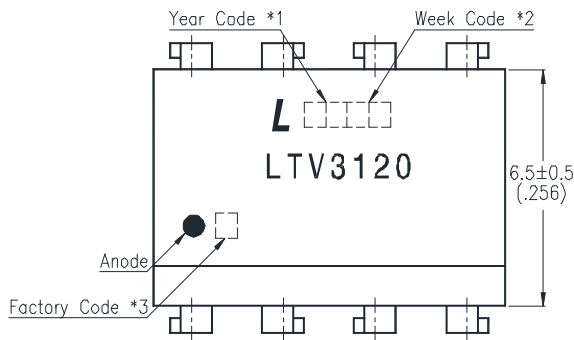
- IGBT/MOSFET gate drive
- Uninterruptible power supply (UPS)
- Industrial Inverter
- AC/Brushless DC motor drives

Ordering Information

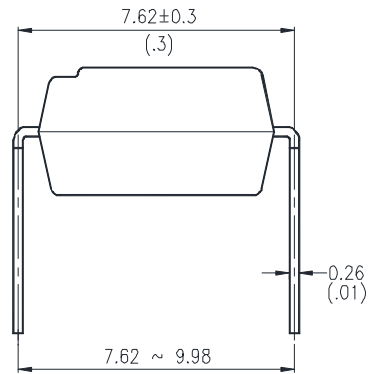
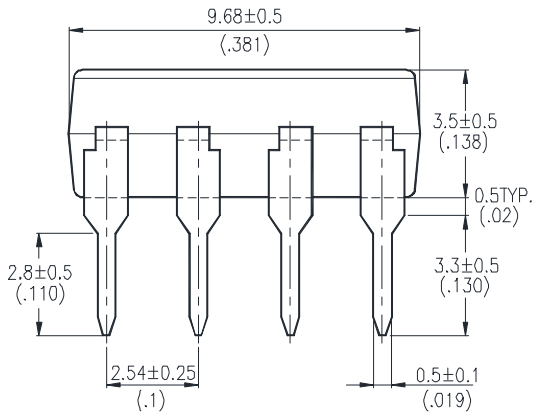
Part	Option	Remarks
LTV-3120		DIP-8
	M	Wide Lead Spacing, DIP-8
	S	Surface Mount, SMD-8
	S-TA	Surface Mount, SMD-8, Pin 1 location at lower right of the reel
	S-TA1	Surface Mount, SMD-8, Pin 1 location at upper left of the reel

Package Dimensions

8-pin DIP Package (LTV-3120)

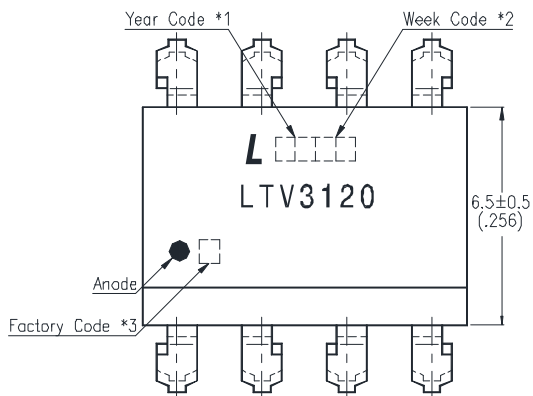


- *1. Year date code.
 - *2. 2-digit work week.
 - *3. Factory identification mark (Y : Thailand).
- Dimensions are in Millimeters and (Inches).

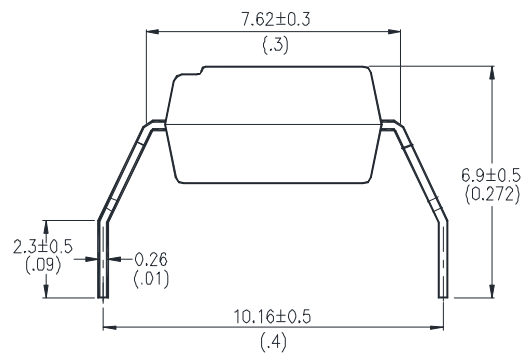
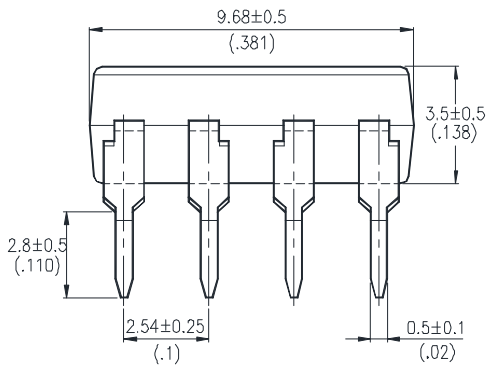


Package Dimensions

8-pin DIP Wide Lead Spacing Package (LTV-3120M)

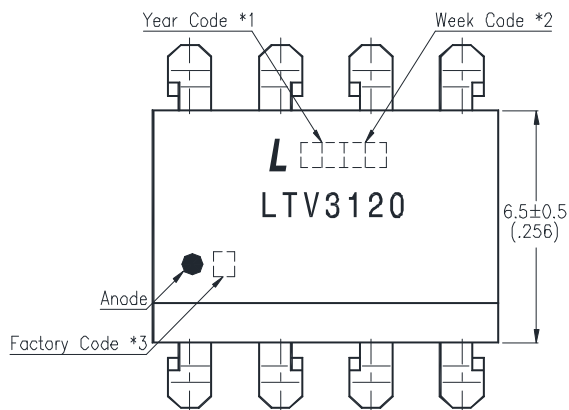


- *1. Year date code.
 - *2. 2-digit work week.
 - *3. Factory identification mark (Y : Thailand).
- Dimensions are in Millimeters and (Inches).

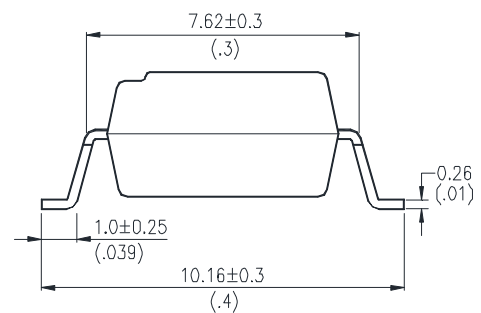
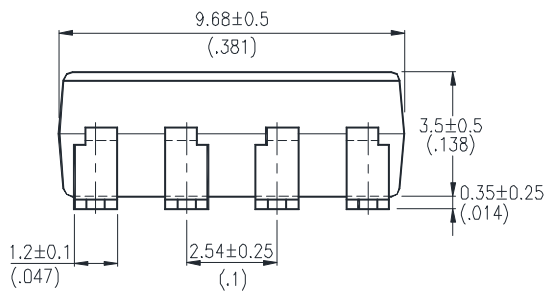


Package Dimensions

8-pin DIP Surface Mount Package (LTV-3120S)

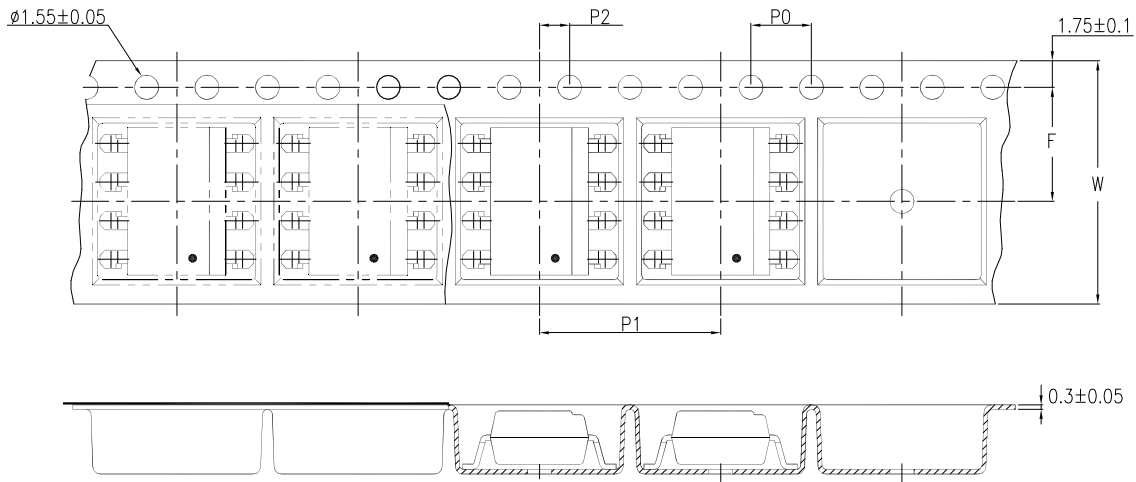


- *1. Year date code.
 - *2. 2-digit work week.
 - *3. Factory identification mark (Y : Thailand).
- Dimensions are in Millimeters and (Inches).

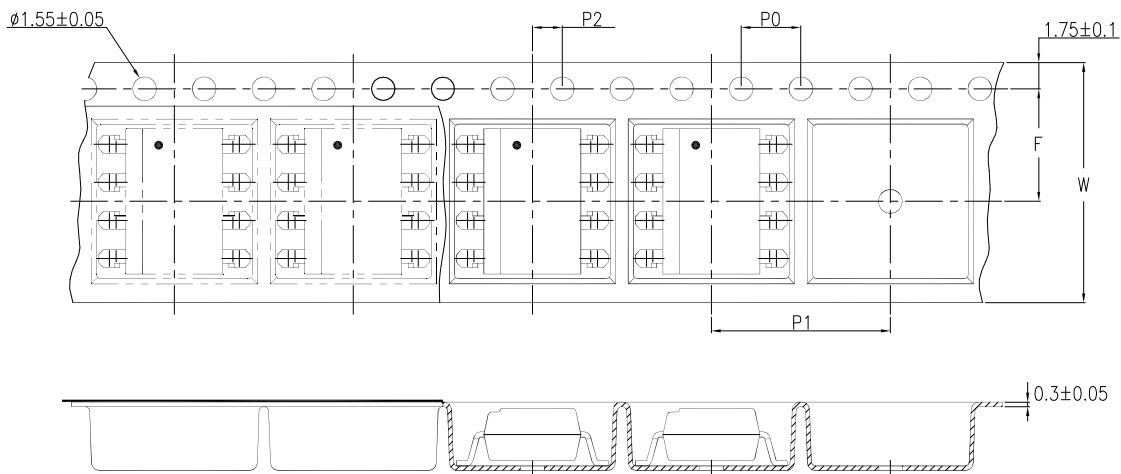


Taping Dimensions

LTV-3120S-TA



LTV-3120S-TA1



Description	Symbol	Dimensions in millimeters (inches)
Tape wide	W	16 ± 0.3 (.63)
Pitch of sprocket holes	P0	4 ± 0.1 (.15)
Distance of compartment	F P2	7.5 ± 0.1 (.295) 2 ± 0.1 (.079)
Distance of compartment to compartment	P1	12 ± 0.1 (.472)

Absolute Maximum Ratings

Ambient temperature = 25°C, unless otherwise specified. Stresses exceeding the absolute maximum ratings can cause permanent damage to the device. Exposure to absolute maximum ratings for long periods of time can adversely affect reliability.

Parameter	Symbol	Min	Max	Units
Storage Temperature	T _{ST}	-55	125	°C
Operating Temperature	T _A	-40	100	°C
Isolation Voltage	V _{ISO}	5000		V _{RMS}
Supply Voltage	V _{CC}	0	35	V
Lead Solder Temperature ⁽⁹⁾	T _{SOL}		260	°C
Input				
Average Forward Input Current	I _{F(AVG)}		25	mA
Reverse Input Voltage	V _R		5	V
Peak Transient Input Current (<1 μs pulse width, 300 pps)	I _{F(TRAN)}		1	A
Input Current (Rise/Fall Time)	t _{r(IN)} / t _{f(IN)}		500	ns
Input Power Dissipation ⁽¹⁰⁾	P _I		45	mW
Output				
“High” Peak Output Current ⁽¹⁾	I _{OH(PEAK)}		2.5	A
“Low” Peak Output Current ⁽¹⁾	I _{OL(PEAK)}		2.5	A
Output Voltage	V _O		V _{CC}	V
Output Power Dissipation ⁽¹¹⁾	P _O		250	mW
Total Power Dissipation	P _T		295	mW

Recommended Operating Conditions

Parameter	Symbol	Min	Max	Units
Operating Temperature	T_A	-40	100	°C
Supply Voltage	V_{CC}	15	30	V
Input Current (ON)	$I_{FL(ON)}$	7	16	mA
Input Voltage (OFF)	$V_{F(OFF)}$	-3.0	0.8	V

Electrical Specifications

Parameters	Test Condition	Symbol	Min	Typ	Max	Units	Figure
Input							
Input Forward Voltage	$I_F = 10\text{mA}$	V_F	1.2	1.37	1.8	V	15
Input Forward Voltage Temperature Coefficient	$I_F = 10\text{mA}$	$\Delta V_F / \Delta T$		-1.237		mV/°C	
Input Reverse Voltage	$I_R = 10\mu\text{A}$	BV_R	5			V	
Input Threshold Current (Low to High)	$V_O > 5\text{V}, I_O = 0\text{A}$	I_{FLH}		2.89	5	mA	9,16,21
Input Threshold Voltage (High to Low)	$V_O < 5\text{V}, I_O = 0\text{A}$	V_{FHL}	0.8			V	
Input Capacitance	$f = 1\text{MHz}, V_F = 0\text{V}$	C_{IN}		33		pF	
Output							
High Level Supply Current	Output Open, $I_F = 7\text{ to }16\text{mA}$	I_{CCH}		1	3.0	mA	7,8
Low Level Supply Current	Output Open, $V_F = -3\text{ to }+0.8\text{V}$	I_{CCL}		1	3.0	mA	
High Level Output Current ⁽¹⁾	$V_O = (V_{CC} - 3\text{V})$	I_{OH}	-1.0	-2.0	-2.5	A	2,3,19
	$V_O = (V_{CC} - 6\text{V})$				-2.0		
Low Level Output Current ⁽¹⁾	$V_O = (V_{EE} + 3\text{V})$	I_{OL}	1.0	2.0	2.5	A	5,6,20
	$V_O = (V_{EE} + 6\text{V})$		2.5				
High Level Output Voltage	$I_F = 10\text{mA}, I_O = -100\text{mA}$	V_{OH}	$V_{CC} - 0.25$	$V_{CC} - 0.1$		V	1,3,17
Low Level Output Voltage	$I_F = 0\text{mA}, I_O = 100\text{mA}$	V_{OL}		$V_{EE} + 0.1$	$V_{EE} + 0.25$	V	4,6,18
UVLO Threshold	$V_O > 5\text{V}, I_F = 10\text{mA}$	V_{UVLO+}	11.5	13.1	13.5	V	22
	$V_O < 5\text{V}, I_F = 10\text{mA}$	V_{UVLO-}	10	11.5	12	V	
UVLO Hysteresis		$UVLO_{HYS}$		1.6		V	

Specified over recommended operating conditions.

All Typical values at $T_A = 25^\circ\text{C}$ and $V_{CC} = 30\text{V}$, unless otherwise specified.

Switching Specifications

Parameter	Test Condition	Symbol	Min	Typ	Max	Units	Figure
Propagation Delay Time to High Output Level	$I_F = 7$ to 16 mA, $V_{CC} = 15$ to 30 V $V_{EE} =$ ground $R_g = 10$ Ω , $C_g = 10$ nF, $f = 10$ kHz, Duty Cycle = 50%	T_{PLH}	100	210	400	ns	10,11, 12,13, 14,23
Propagation Delay Time to Low Output Level		T_{PHL}	100	185	400		
Pulse Width Distortion ⁽⁷⁾		PWD		25	100		
Propagation Delay Difference Between Any Two Parts ⁽⁴⁾		PDD	-250		250		
Output Rise Time (10 to 90%)		T_r			50		
Output Fall Time (90 to 10%)		T_f			45		
UVLO Turn On Delay	$I_F = 10$ mA, $V_O > 5$ V	$T_{UVLO\ ON}$		1.5		μ s	
UVLO Turn Off Delay	$I_F = 10$ mA, $V_O < 5$ V	$T_{UVLO\ OFF}$		0.2		μ s	
Common Mode Transient Immunity at HIGH Level Output ⁽⁵⁾	$I_F = 10$ to 16 mA, $V_{CM} = 1500$ V, $T_A = 25^\circ$ C, $V_{CC} = 30$ V	$ CM_H $	25	35		kV/ μ s	24
Common Mode Transient Immunity at LOW Level Output ⁽⁶⁾	$V_F = 0$ V, $V_{CM} = 1500$ V, $T_A = 25^\circ$ C, $V_{CC} = 30$ V	$ CM_L $	25	35		kV/ μ s	

Specified over recommended operating conditions.

All Typical values at $T_A = 25^\circ$ C and $V_{CC} = 15$ to 30 V, unless otherwise specified.

Isolation Characteristics

Parameter	Test Condition	Symbol	Min	Typ	Max	Units
Withstand Insulation Test Voltage ^{(2) (3)}	RH ≤ 40-60%, t = 1min, T _A = 25°C	V _{ISO}	5000			V
Input-Output Resistance ⁽²⁾	V _{I-O} = 500V DC	R _{I-O}		10 ¹²		Ω
Input-Output Capacitance ⁽²⁾	f = 1MHz, T _A = 25°C	C _{I-O}		0.92		pF

Specified over recommended operating conditions.

All Typical values at T_A = 25°C and V_{CC} = 30 V, unless otherwise specified.

Typical Performance Curves

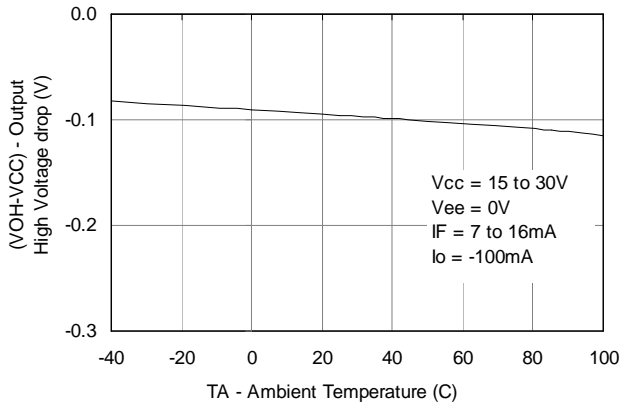


Figure 1: Output High Voltage drop vs Temperature

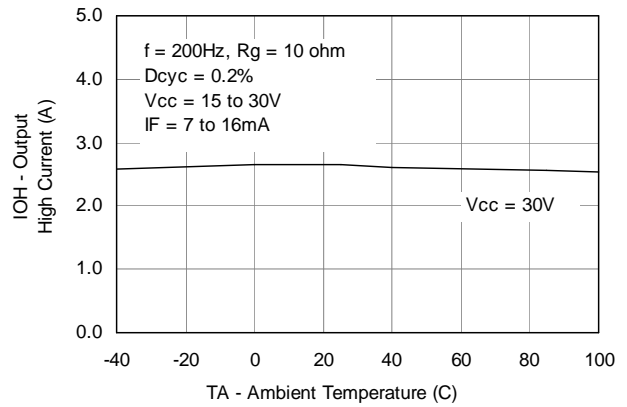


Figure 2: Output High Current vs Temperature

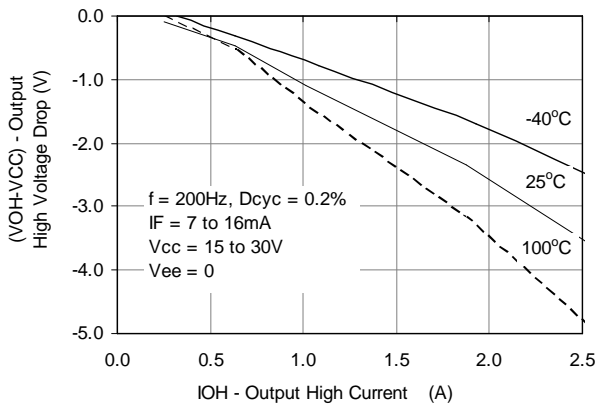


Figure 3: Output High Voltage drop vs High Current

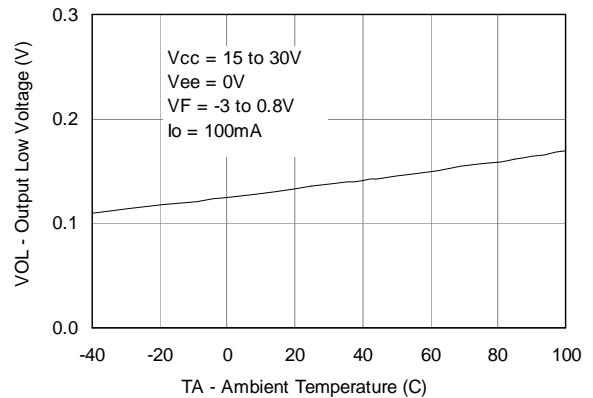


Figure 4: Output Low Voltage vs Temperature

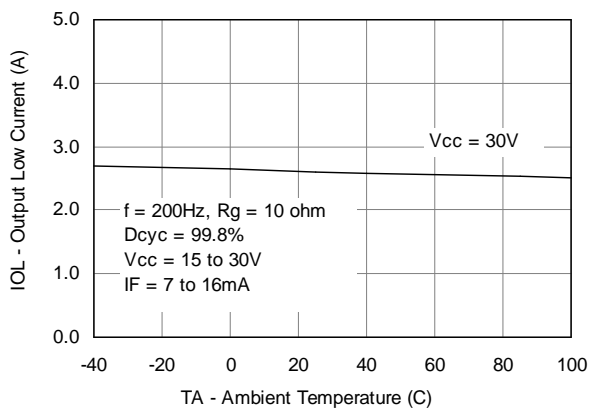


Figure 5: Output Low Current vs Temperature

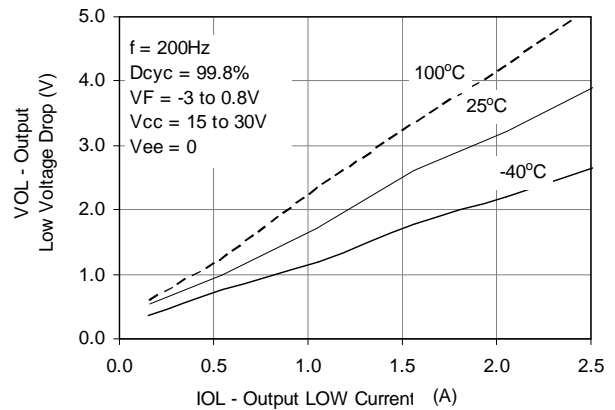


Figure 6: Output Low Voltage vs Low Current

Property of Lite-on Only

Typical Performance Curves (Continued)

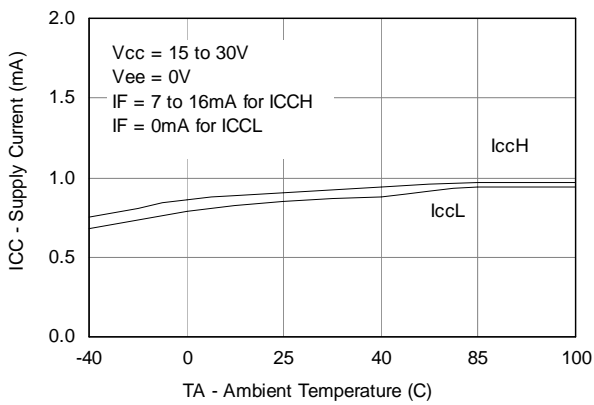


Figure 7: Supply Current vs Temperature

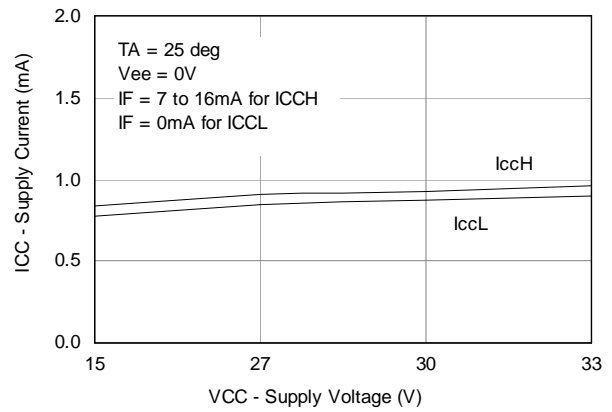


Figure 8: Supply Current vs Supply Voltage

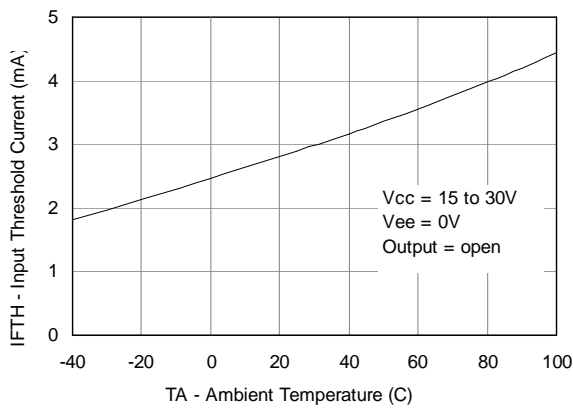


Figure 9: Low to High Threshold Current vs Temperature

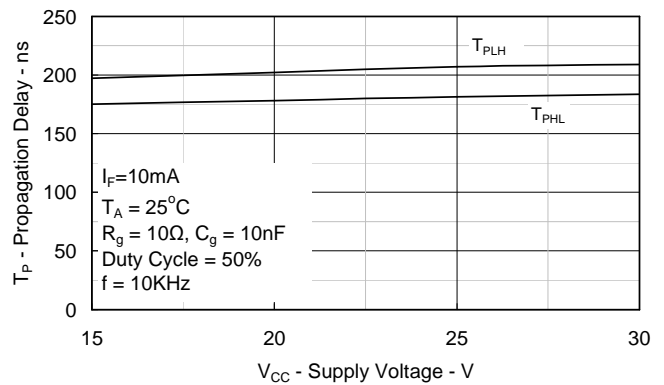


Figure 10: Propagation vs Vcc

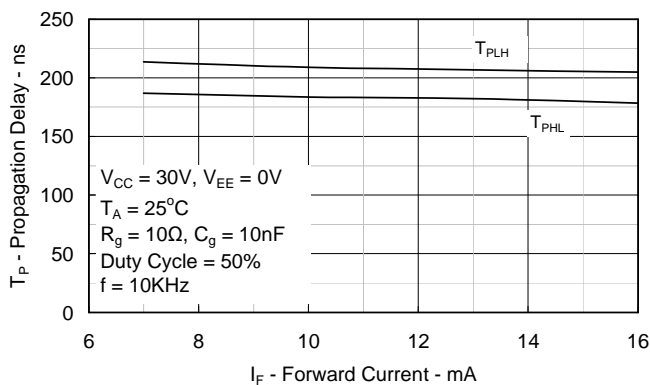


Figure 11: Propagation vs Input Current

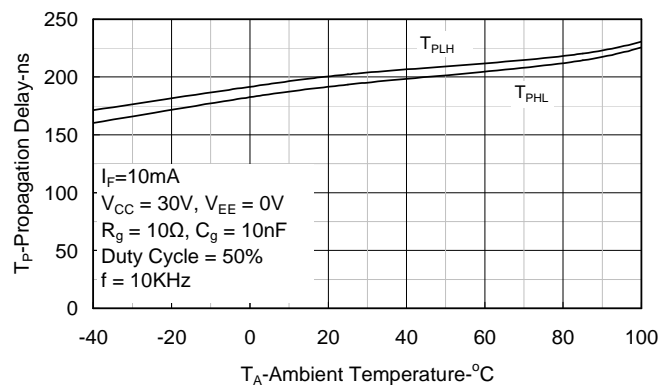


Figure 12: Propagation vs Temperature

Typical Performance Curves (Continued)

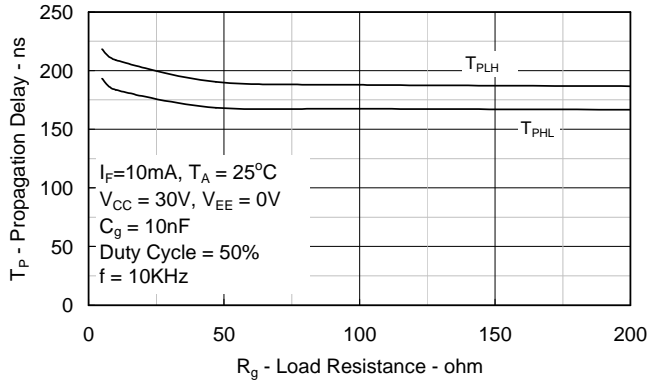


Figure 13: Propagation vs Series Load Resistance

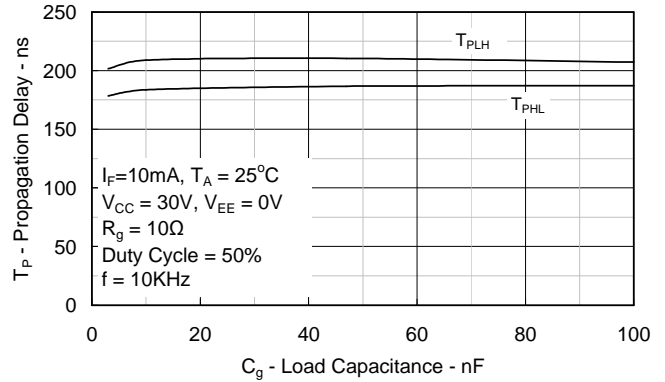


Figure 14: Propagation vs Load Capacitance (nF)

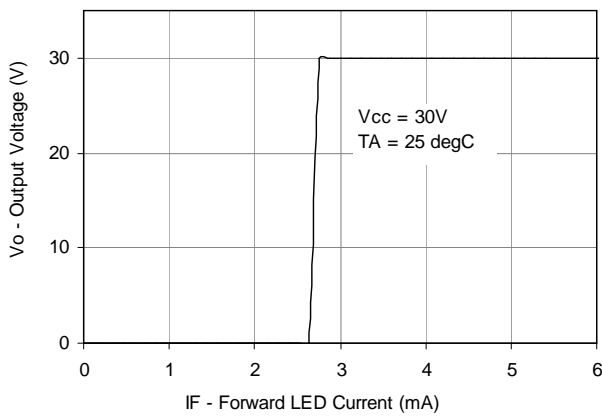


Figure 16: Transfer Characteristics

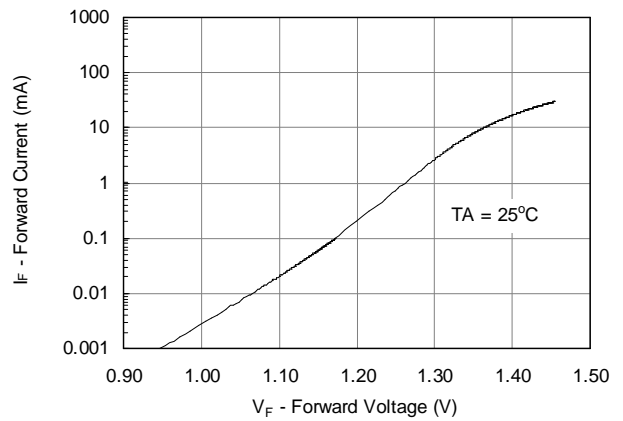


Figure 15: Input Current vs Forward Voltage

Test Circuit

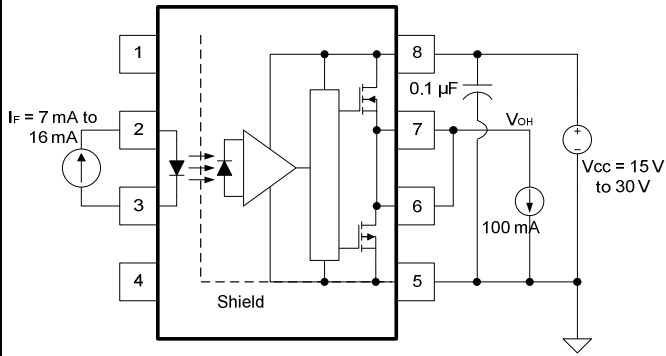


Figure 17 : V_{OH} Test Circuit

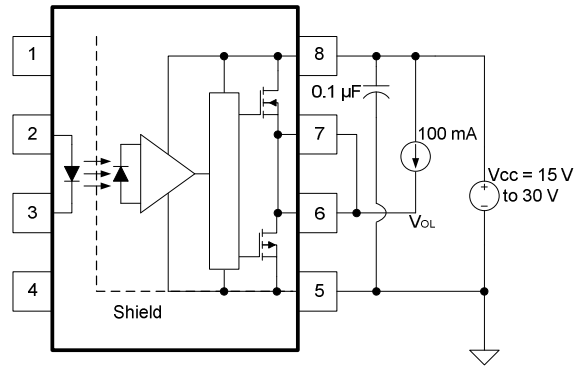


Figure 18 : V_{OL} Test Circuit

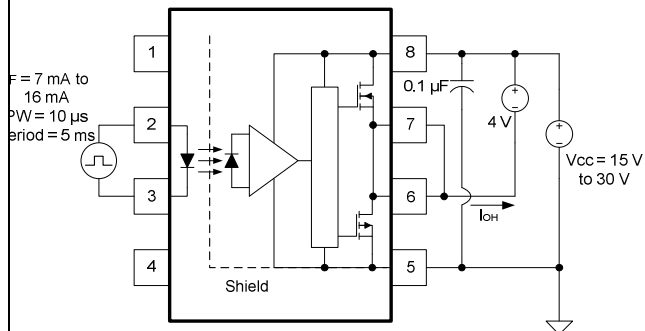


Figure 19 : I_{OH} Test Circuit

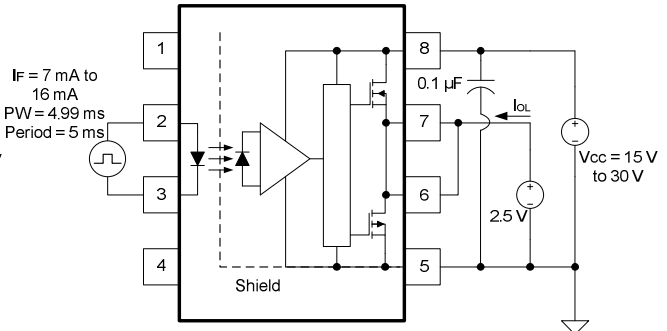


Figure 20 : I_{OL} Test Circuit

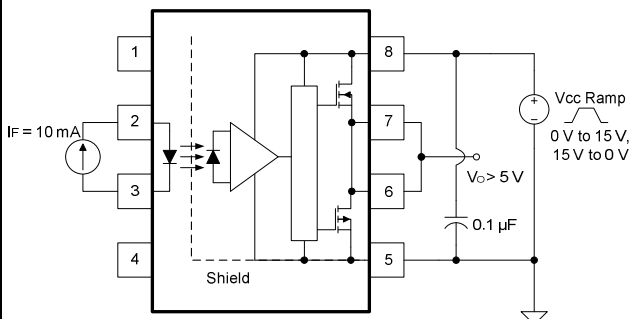


Figure 21 : I_{FLH} Test Circuit

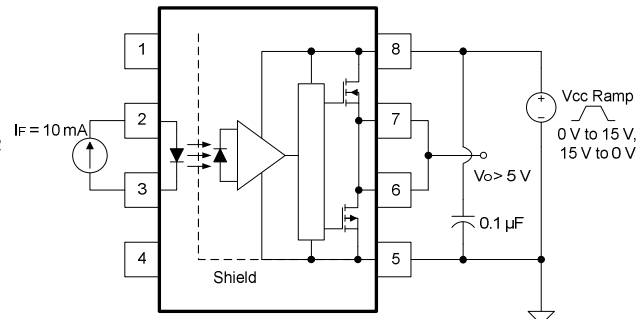


Figure 22 : UVLO Test Circuit

Test Circuit (Continued)

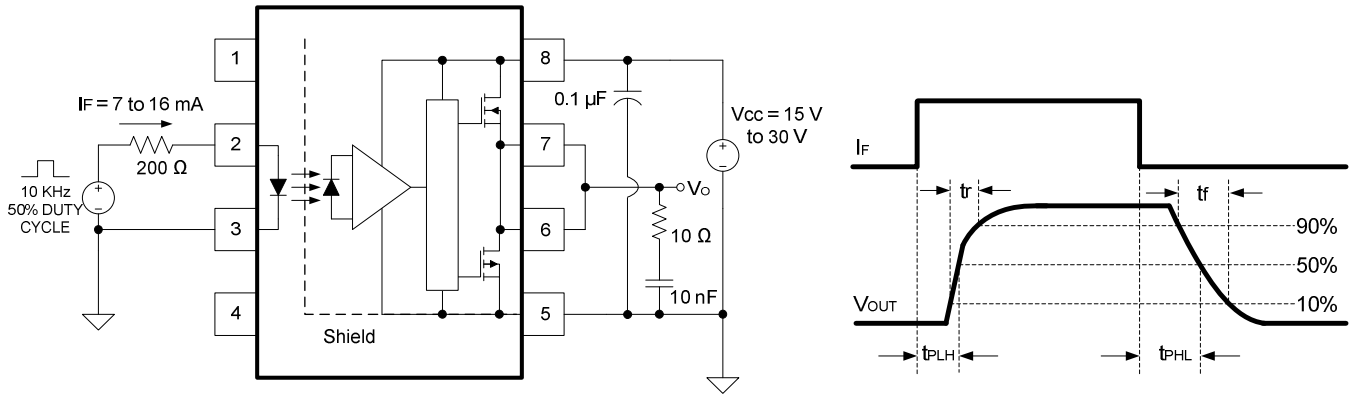


Figure 23 : t_r , t_f , t_{PLH} and t_{PHL} Test Circuit and Waveforms

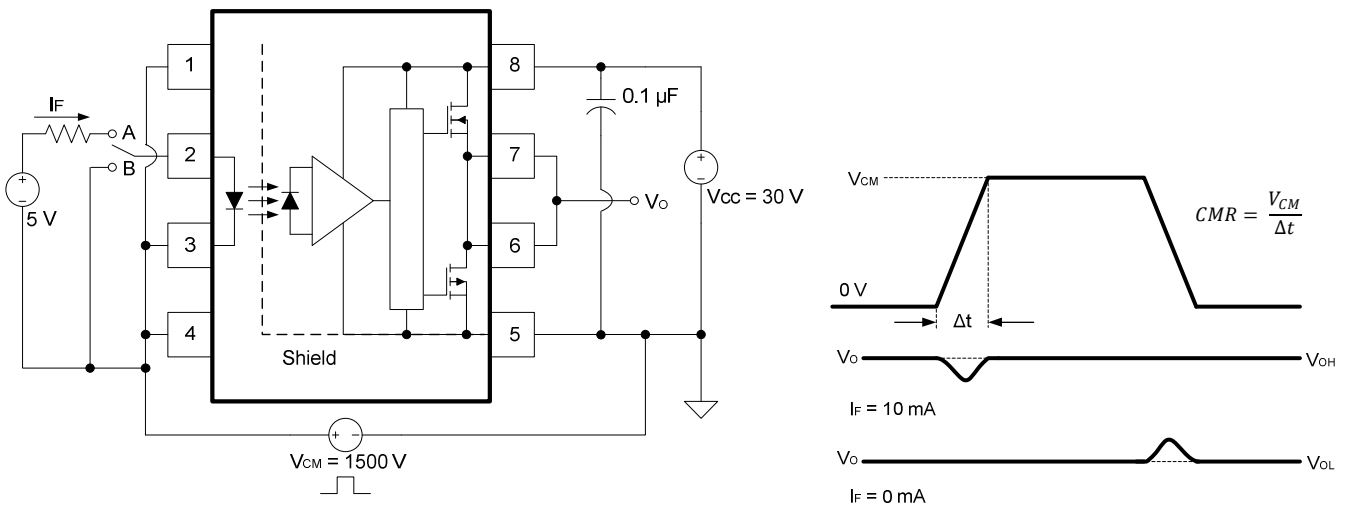
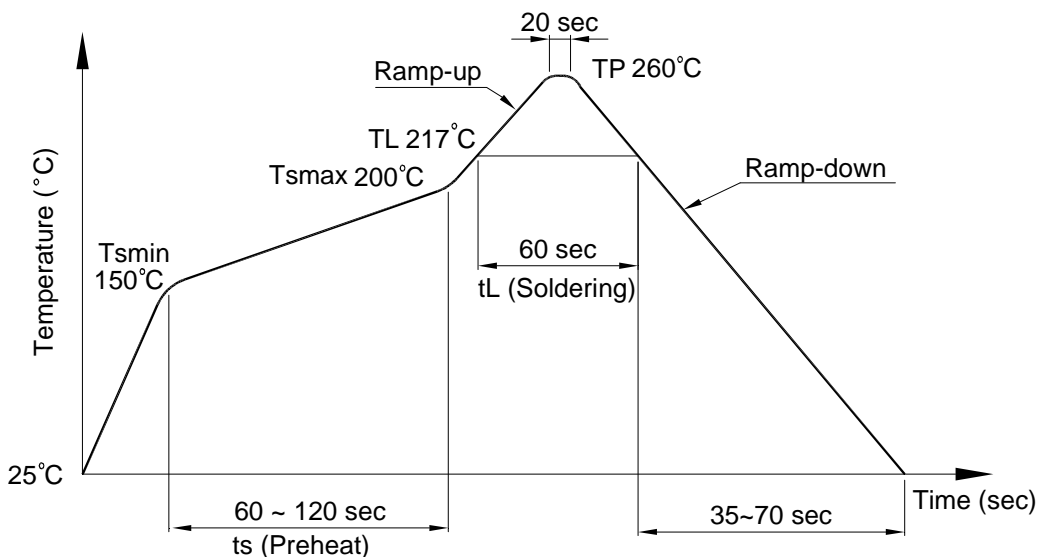


Figure 24 : CMR Test Circuit and Waveforms

Temperature Profile Of Soldering Reflow

(1) IR Reflow soldering (JEDEC-STD-020C compliant)
 One time soldering reflow is recommended within the condition of temperature and time profile shown below.

Profile item	Conditions
Preheat - Temperature Min (T_{Smin}) - Temperature Max (T_{Smax}) - Time (min to max) (ts)	150°C 200°C 90±30 sec
Soldering zone - Temperature (T_L) - Time (t_L)	217°C 60 sec
Peak Temperature (T_P)	260°C
Ramp-up rate	3°C / sec max.
Ramp-down rate	3~6°C / sec



Temperature Profile Of Soldering Reflow

(2) Wave soldering (JEDEC22A111 compliant)

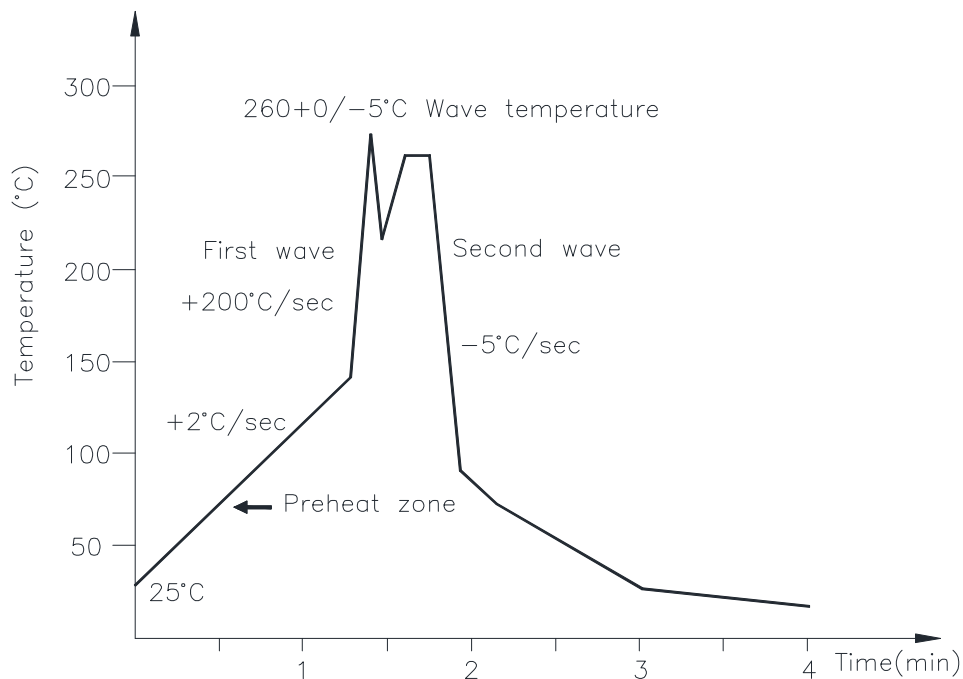
One time soldering is recommended within the condition of temperature.

Temperature: $260 \pm 5^\circ\text{C}$

Time: 10 sec.

Preheat temperature: 25 to 140°C

Preheat time: 30 to 80 sec.



(3) Hand soldering by soldering iron

Allow single lead soldering in every single process. One time soldering is recommended.

Temperature: $380 \pm 5^\circ\text{C}$

Time: 3 sec max.

Notice

Specifications of the products displayed herein are subject to change without notice.

The products shown in this publication are designed for the general use in electronic applications such as office automation equipment, communications devices, audio/visual equipment, electrical instrumentation and application. For equipment/devices where high reliability or safety is required, such as space applications, nuclear power control equipment, medical equipment, etc, please contact our sales representatives.

Immerse unit's body in solder paste is not recommended.

- 1) Maximum pulse width = 10us, maximum duty cycle = 0.2%.
- 2) Device is considered a two terminal device: pins 1, 2, 3 and 4 are shorted together and pins 5, 6, 7 and 8 are shorted together.
- 3) According to UL1577, each optocoupler is tested by applying an insulation test voltage ≥ 6000 Vrms for 1 second (leakage detection current limit, $I_{I-O} \leq 6$ uA).
- 4) The difference between T_{PHL} and T_{PLH} between any two LTV-3120 parts under same test conditions.
- 5) Common mode transient immunity in high stage is the maximum tolerable negative dV_{cm}/dt on the trailing edge of the common mode impulse signal, V_{cm} , to assure that the output will remain high.
- 6) Common mode transient immunity in low stage is the maximum tolerable positive dV_{cm}/dt on the leading edge of the common mode impulse signal, V_{cm} , to assure that the output will remain low.
- 7) Pulse Width Distortion is defined as $|T_{PHL} - T_{PLH}|$ for any given device.
- 8) At least a 0.1 μ F or bigger bypass capacitor must be connected/ closed across pin 8 and pin 5. Failure to provide the bypass may impair the switching property. Normally, it is recommended to place a 1 μ F multi-layer ceramic capacitor. To parallel one larger capacitor ($>1\mu$ F) to optimize performance is better.
- 9) 260 $^{\circ}$ C for 10 seconds. Refer to Lead Free Reflow Profile
- 10) Derating Linearly above 70 $^{\circ}$ C free-air temperature at a rate of 0.47mW/ $^{\circ}$ C
- 11) Derating Linearly above 70 $^{\circ}$ C free-air temperature at a rate of 4.8mW/ $^{\circ}$ C

Mouser Electronics

Authorized Distributor

Click to View Pricing, Inventory, Delivery & Lifecycle Information:

[Lite-On:](#)

[LTV-3120](#) [LTV-3120S-TA1](#)



Стандарт Электрон Связь

Мы молодая и активно развивающаяся компания в области поставок электронных компонентов. Мы поставляем электронные компоненты отечественного и импортного производства напрямую от производителей и с крупнейших складов мира.

Благодаря сотрудничеству с мировыми поставщиками мы осуществляем комплексные и плановые поставки широчайшего спектра электронных компонентов.

Собственная эффективная логистика и склад в обеспечивает надежную поставку продукции в точно указанные сроки по всей России.

Мы осуществляем техническую поддержку нашим клиентам и предпродажную проверку качества продукции. На все поставляемые продукты мы предоставляем гарантию .

Осуществляем поставки продукции под контролем ВП МО РФ на предприятия военно-промышленного комплекса России , а также работаем в рамках 275 ФЗ с открытием отдельных счетов в уполномоченном банке. Система менеджмента качества компании соответствует требованиям ГОСТ ISO 9001.

Минимальные сроки поставки, гибкие цены, неограниченный ассортимент и индивидуальный подход к клиентам являются основой для выстраивания долгосрочного и эффективного сотрудничества с предприятиями радиоэлектронной промышленности, предприятиями ВПК и научно-исследовательскими институтами России.

С нами вы становитесь еще успешнее!

Наши контакты:

Телефон: +7 812 627 14 35

Электронная почта: sales@st-electron.ru

Адрес: 198099, Санкт-Петербург,
Промышленная ул, дом № 19, литера Н,
помещение 100-Н Офис 331