

DATA SHEET

74AHC374; 74AHCT374

**Octal D-type flip-flop; positive
edge-trigger; 3-state**

Product specification
Supersedes data of 1998 Dec 11
File under Integrated Circuits, IC06

1999 Sep 28

Octal D-type flip-flop; positive edge-trigger; 3-state**74AHC374;
74AHCT374****FEATURES**

- ESD protection:
HBM EIA/JESD22-A114-A
exceeds 2000 V
MM EIA/JESD22-A115-A
exceeds 200 V
CDM EIA/JESD22-C101
exceeds 1000 V
- Balanced propagation delays
- All inputs have Schmitt-trigger actions
- Inputs accepts voltages higher than V_{CC}
- Common 3-state output enable input
- I_{CC} category: MSI
- For AHC only:
operates with CMOS input levels
- For AHCT only:
operates with TTL input levels
- Specified from
–40 to +85 and +125 °C.

DESCRIPTION

The 74AHC/AHCT374 are high-speed Si-gate CMOS devices and are pin compatible with low power Schottky TTL (LSTTL). They are specified in compliance with JEDEC standard No. 7A.

The 74AHC/AHCT374 are octal D-type flip-flops featuring separate D-type inputs for each flip-flop and 3-state outputs for bus oriented applications. A clock (CP) and an output enable (\overline{OE}) input are common to all flip-flops.

The 8 flip-flops will store the state of their individual D-inputs that meet the set-up and hold times requirements on the LOW-to-HIGH CP transition.

When \overline{OE} is LOW the contents of the 8 flip-flops are available at the outputs. When \overline{OE} is HIGH, the outputs go to the high-impedance OFF-state. Operation of the \overline{OE} input does not affect the state of the flip-flops.

The '374' is functionally identical to the '534', but has non-inverting outputs.

QUICK REFERENCE DATA

GND = 0 V; $T_{amb} = 25\text{ °C}$; $t_r = t_f \leq 3.0\text{ ns}$.

| SYMBOL | PARAMETER | CONDITIONS | TYPICAL | | UNIT |
|-------------------|-----------------------------------|--|---------|------|------|
| | | | AHC | AHCT | |
| t_{PHL}/t_{PLH} | propagation delay; CP to Q_n | $C_L = 15\text{ pF}$; $V_{CC} = 5\text{ V}$ | 3.5 | 5.0 | ns |
| f_{max} | maximum clock frequency | $C_L = 15\text{ pF}$; $V_{CC} = 5\text{ V}$ | 50 | – | MHz |
| C_I | input capacitance | $V_I = V_{CC}$ or GND | 3.0 | 3.0 | pF |
| C_O | output capacitance | | 4.0 | 4.0 | pF |
| C_{PD} | power dissipation capacitance | $C_L = 50\text{ pF}$; $f = 1\text{ MHz}$; notes 1 and 2 | 10 | 12 | pF |

Notes

1. C_{PD} is used to determine the dynamic power dissipation (P_D in μW).

$$P_D = C_{PD} \times V_{CC}^2 \times f_i + \sum (C_L \times V_{CC}^2 \times f_o) \text{ where:}$$

f_i = input frequency in MHz;

f_o = output frequency in MHz;

$\sum (C_L \times V_{CC}^2 \times f_o)$ = sum of outputs;

C_L = output load capacitance in pF;

V_{CC} = supply voltage in Volts.

2. The condition is $V_I = \text{GND}$ to V_{CC} .

Octal D-type flip-flop; positive edge-trigger; 3-state

74AHC374;
74AHCT374

FUNCTION TABLE

See note 1.

| OPERATING MODES | INPUTS | | | INTERNAL FLIP-FLOPS | OUTPUTS |
|-----------------------------------|-----------------|----|----------------|---------------------|----------------------------------|
| | \overline{OE} | CP | D _n | | Q ₀ to Q ₇ |
| Load and read register | L | ↑ | l | L | L |
| | L | ↑ | h | H | H |
| Load register and disable outputs | H | ↑ | l | L | Z |
| | H | ↑ | h | H | Z |

Note

- H = HIGH voltage level;
h = HIGH voltage level one set-up time prior to the LOW-to-HIGH CP transition;
L = LOW voltage level;
l = LOW voltage level one set-up time prior to the LOW-to-HIGH CP transition;
X = don't care;
Z = high-impedance OFF-state;
↑ = LOW-to-HIGH CP transition.

ORDERING INFORMATION

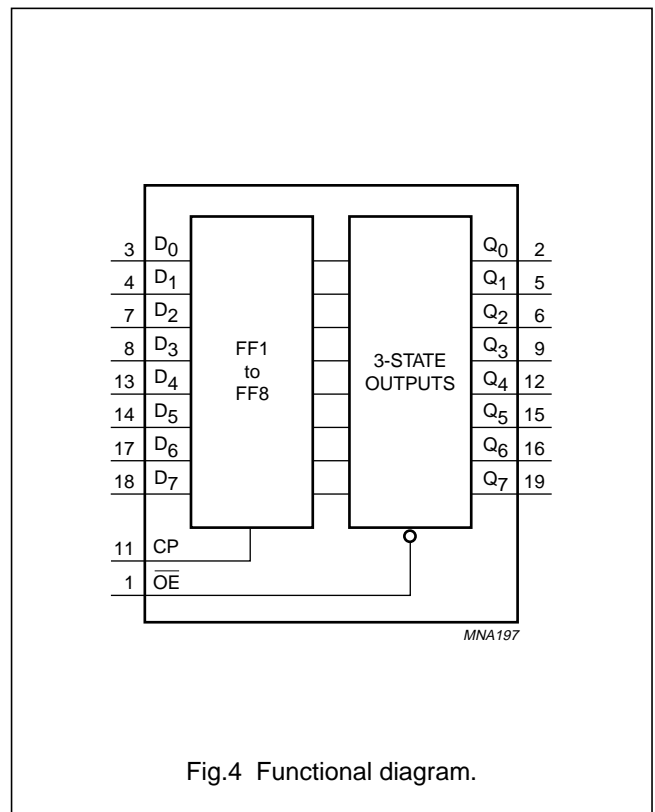
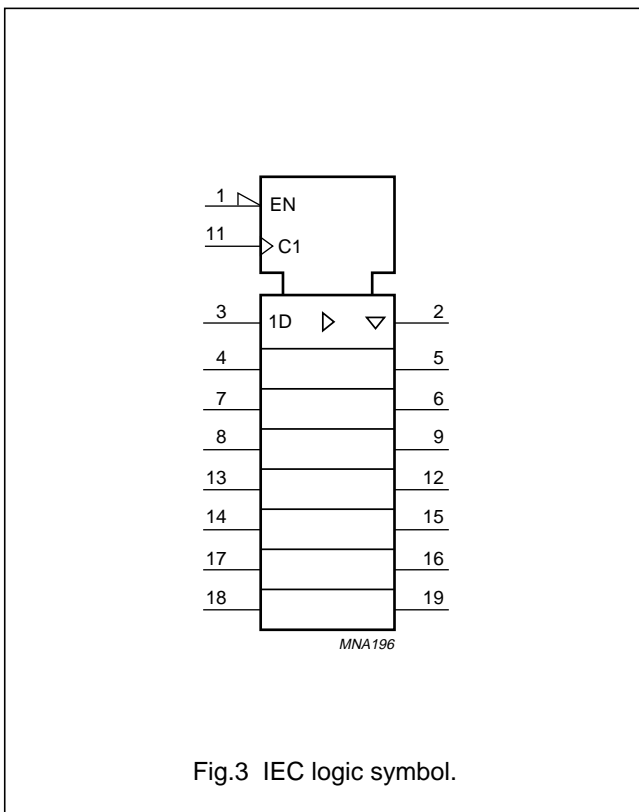
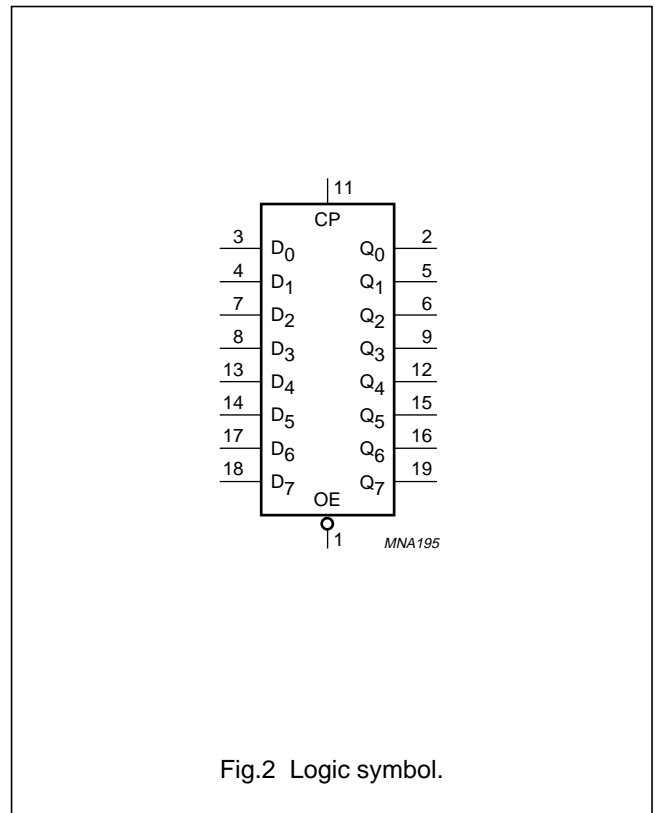
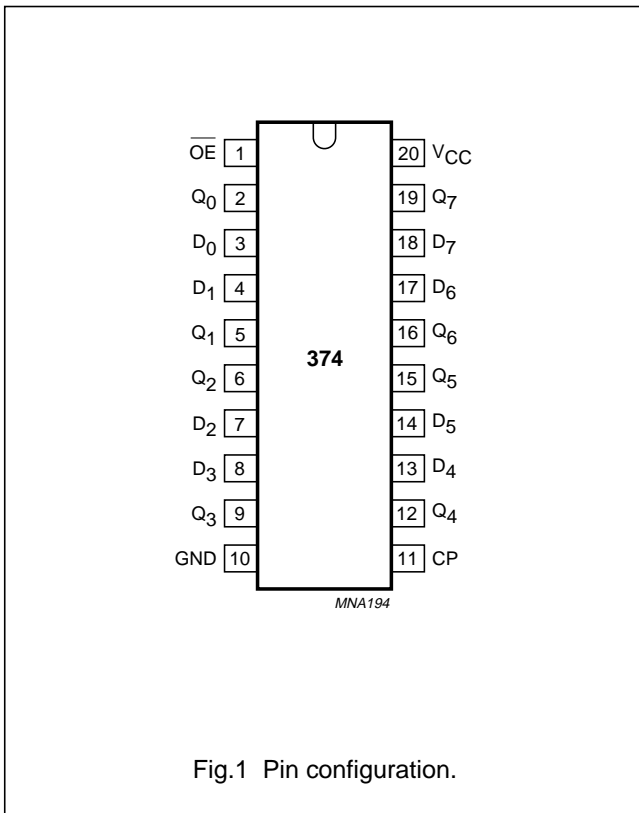
| OUTSIDE NORTH AMERICA | NORTH AMERICA | PACKAGES | | | |
|-----------------------|----------------|----------|---------|----------|----------|
| | | PINS | PACKAGE | MATERIAL | CODE |
| 74AHC374D | 74AHC374D | 20 | SO | plastic | SOT163-1 |
| 74AHC374PW | 74AHC374PW DH | 20 | TSSOP | plastic | SOT360-1 |
| 74AHCT374D | 74AHCT374D | 20 | SO | plastic | SOT163-1 |
| 74AHCT374PW | 74AHCT374PW DH | 20 | TSSOP | plastic | SOT360-1 |

PINNING

| PIN | SYMBOL | DESCRIPTION |
|-------------------------------|----------------------------------|---|
| 1 | \overline{OE} | 3-state output enable input (active LOW) |
| 2, 5, 6, 9, 12, 15, 16 and 19 | Q ₀ to Q ₇ | 3-state flip-flop outputs |
| 3, 4, 7, 8, 13, 14, 17 and 18 | D ₀ to D ₇ | data inputs |
| 10 | GND | ground (0 V) |
| 11 | CP | clock input (LOW-to-HIGH, edge triggered) |
| 20 | V _{CC} | DC supply voltage |

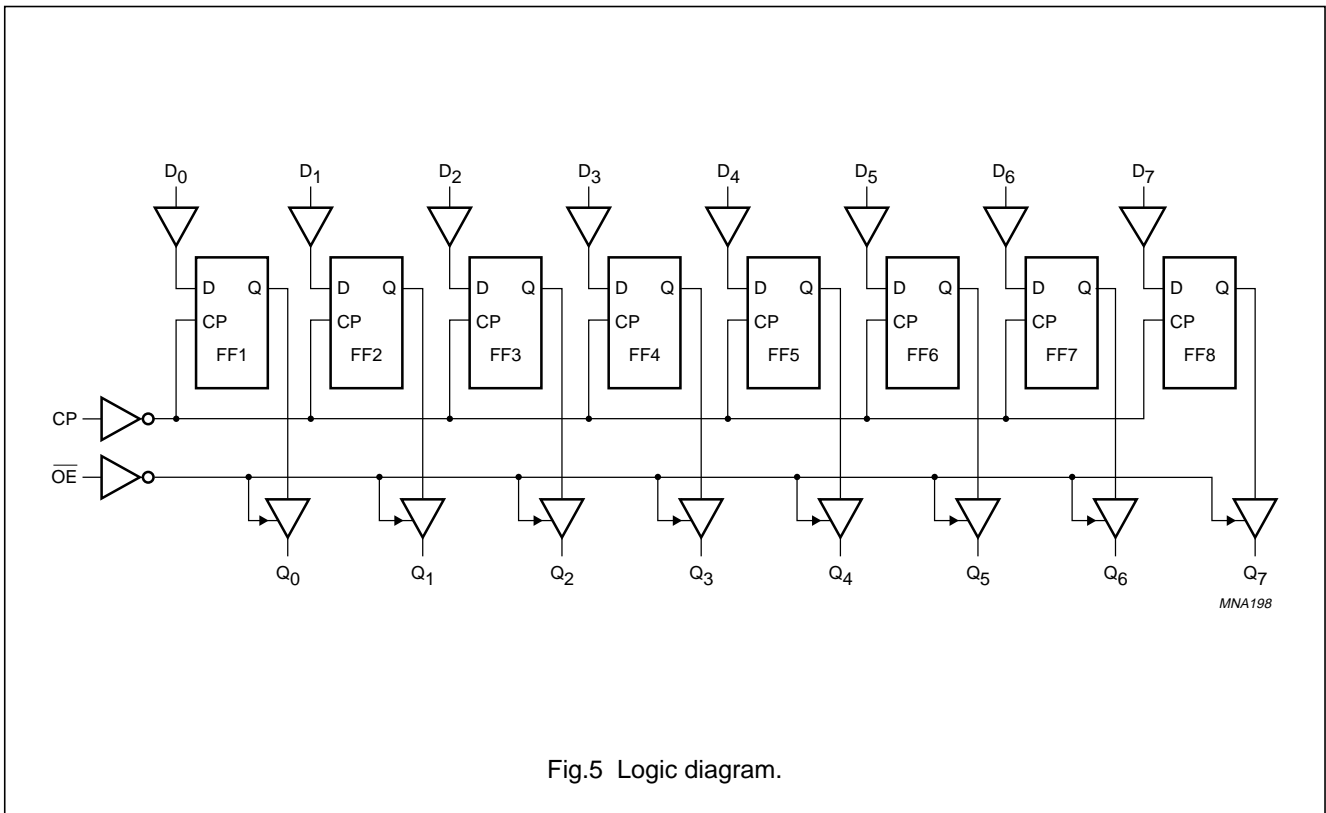
Octal D-type flip-flop; positive edge-trigger; 3-state

74AHC374;
74AHCT374



Octal D-type flip-flop; positive edge-trigger; 3-state

74AHC374;
74AHCT374



RECOMMENDED OPERATING CONDITIONS

| SYMBOL | PARAMETER | CONDITIONS | 74AHC | | | 74AHCT | | | UNIT |
|---|-------------------------------------|--|-------|------|-----------------|--------|------|-----------------|------|
| | | | MIN. | TYP. | MAX. | MIN. | TYP. | MAX. | |
| V _{CC} | DC supply voltage | | 2.0 | 5.0 | 5.5 | 4.5 | 5.0 | 5.5 | V |
| V _I | input voltage | | 0 | – | 5.5 | 0 | – | 5.5 | V |
| V _O | output voltage | | 0 | – | V _{CC} | 0 | – | V _{CC} | V |
| T _{amb} | operating ambient temperature range | see DC and AC characteristics per device | –40 | +25 | +85 | –40 | +25 | +85 | °C |
| | | | –40 | +25 | +125 | –40 | +25 | +125 | °C |
| t _r , t _f (Δt/Δf) | input rise and fall rates | V _{CC} = 3.3 V ±0.3 V | – | – | 100 | – | – | – | ns/V |
| | | V _{CC} = 5 V ±0.5 V | – | – | 20 | – | – | 20 | |

Octal D-type flip-flop; positive edge-trigger; 3-state

74AHC374;
74AHCT374**LIMITING VALUES**

In accordance with the Absolute Maximum Rating System (IEC 134); voltages are referenced to GND (ground = 0 V).

| SYMBOL | PARAMETER | CONDITIONS | MIN. | MAX. | UNIT |
|-----------|----------------------------------|---|------|----------|--------------|
| V_{CC} | DC supply voltage | | -0.5 | +7.0 | V |
| V_I | input voltage range | | -0.5 | +7.0 | V |
| I_{IK} | DC input diode current | $V_I < -0.5$ V; note 1 | - | -20 | mA |
| I_{OK} | DC output diode current | $V_O < -0.5$ V or $V_O > V_{CC} + 0.5$ V; note 1 | - | ± 20 | mA |
| I_O | DC output source or sink current | -0.5 V $< V_O < V_{CC} + 0.5$ V | - | ± 25 | mA |
| I_{CC} | DC V_{CC} or GND current | | - | ± 75 | mA |
| T_{stg} | storage temperature range | | -65 | +150 | $^{\circ}$ C |
| P_D | power dissipation per package | for temperature range: -40 to +125 $^{\circ}$ C; note 2 | - | 500 | mW |

Notes

1. The input and output voltage ratings may be exceeded if the input and output current ratings are observed.
2. For SO packages: above 70 $^{\circ}$ C the value of P_D derates linearly with 8 mW/K.
For TSSOP packages: above 60 $^{\circ}$ C the value of P_D derates linearly with 5.5 mW/K.

Octal D-type flip-flop; positive edge-trigger; 3-state

74AHC374;
74AHCT374

DC CHARACTERISTICS

74AHC family

Over recommended operating conditions; voltages are referenced to GND (ground = 0 V).

| SYMBOL | PARAMETER | TEST CONDITIONS | | T_{amb} (°C) | | | | | | UNIT | |
|----------|--|---|--------------|----------------|------|------------|------------|-----------|-------------|------------|---------|
| | | OTHER | V_{CC} (V) | 25 | | | -40 to +85 | | -40 to +125 | | |
| | | | | MIN. | TYP. | MAX. | MIN. | MAX. | MIN. | | MAX. |
| V_{IH} | HIGH-level input voltage | | 2.0 | 1.5 | – | – | 1.5 | – | 1.5 | – | V |
| | | | 3.0 | 2.1 | – | – | 2.1 | – | 2.1 | – | |
| | | | 5.5 | 3.85 | – | – | 3.85 | – | 3.85 | – | |
| V_{IL} | LOW-level input voltage | | 2.0 | – | – | 0.5 | – | 0.5 | – | 0.5 | V |
| | | | 3.0 | – | – | 0.9 | – | 0.9 | – | 0.9 | |
| | | | 5.5 | – | – | 1.65 | – | 1.65 | – | 1.65 | |
| V_{OH} | HIGH-level output voltage; all outputs | $V_I = V_{IH}$ or V_{IL} ; $I_O = -50 \mu A$ | 2.0 | 1.9 | 2.0 | – | 1.9 | – | 1.9 | – | V |
| | | | 3.0 | 2.9 | 3.0 | – | 2.9 | – | 2.9 | – | |
| | | | 4.5 | 4.4 | 4.5 | – | 4.4 | – | 4.4 | – | |
| V_{OH} | HIGH-level output voltage | $V_I = V_{IH}$ or V_{IL} ; $I_O = -4.0 \text{ mA}$ | 3.0 | 2.58 | – | – | 2.48 | – | 2.40 | – | V |
| | | | 4.5 | 3.94 | – | – | 3.8 | – | 3.70 | – | |
| | | | | | | | | | | | |
| V_{OL} | LOW-level output voltage; all outputs | $V_I = V_{IH}$ or V_{IL} ; $I_O = 50 \mu A$ | 2.0 | – | 0 | 0.1 | – | 0.1 | – | 0.1 | V |
| | | | 3.0 | – | 0 | 0.1 | – | 0.1 | – | 0.1 | |
| | | | 4.5 | – | 0 | 0.1 | – | 0.1 | – | 0.1 | |
| | LOW-level output voltage | $V_I = V_{IH}$ or V_{IL} ; $I_O = 4 \text{ mA}$ | 3.0 | – | – | 0.36 | – | 0.44 | – | 0.55 | V |
| | | | 4.5 | – | – | 0.36 | – | 0.44 | – | 0.55 | |
| I_I | input leakage current | $V_I = V_{CC}$ or GND | 5.5 | – | – | 0.1 | – | 1.0 | – | 2.0 | μA |
| I_{OZ} | 3-state output OFF current | $V_I = V_{IH}$ or V_{IL} ; $V_O = V_{CC}$ or GND | 5.5 | – | – | ± 0.25 | – | ± 2.5 | – | ± 10.0 | μA |
| I_{CC} | quiescent supply current | $V_I = V_{CC}$ or GND; $I_O = 0$ | 5.5 | – | – | 4.0 | – | 40 | – | 80 | μA |
| C_I | input capacitance | | – | – | 3 | 10 | – | 10 | – | 10 | pF |

Octal D-type flip-flop; positive edge-trigger; 3-state

74AHC374;
74AHCT374**74AHCT family**

Over recommended operating conditions; voltages are referenced to GND (ground = 0 V).

| SYMBOL | PARAMETER | TEST CONDITIONS | | T _{amb} (°C) | | | | | | UNIT | |
|------------------|---|--|---------------------|-----------------------|------|-------|------------|------|-------------|-------|------|
| | | OTHER | V _{CC} (V) | 25 | | | -40 to +85 | | -40 to +125 | | |
| | | | | MIN. | TYP. | MAX. | MIN. | MAX. | MIN. | | MAX. |
| V _{IH} | HIGH-level input voltage | | 4.5 to 5.5 | 2.0 | – | – | 2.0 | – | 2.0 | – | V |
| V _{IL} | LOW-level input voltage | | 4.5 to 5.5 | – | – | 0.8 | – | 0.8 | – | 0.8 | V |
| V _{OH} | HIGH-level output voltage; all outputs | V _I = V _{IH} or V _{IL} ; I _O = -50 µA | 4.5 | 4.4 | 4.5 | – | 4.4 | – | 4.4 | – | V |
| | HIGH-level output voltage | V _I = V _{IH} or V _{IL} ; I _O = -8.0 mA | 4.5 | 3.94 | – | – | 3.8 | – | 3.70 | – | V |
| V _{OL} | LOW-level output voltage; all outputs | V _I = V _{IH} or V _{IL} ; I _O = 50 µA | 4.5 | – | 0 | 0.1 | – | 0.1 | – | 0.1 | V |
| | LOW-level output voltage | V _I = V _{IH} or V _{IL} ; I _O = 8 mA | 4.5 | – | – | 0.36 | – | 0.44 | – | 0.55 | V |
| I _I | input leakage current | V _I = V _{IH} or V _{IL} | 5.5 | – | – | 0.1 | – | 1.0 | – | 2.0 | µA |
| I _{oz} | 3-state output OFF current | V _I = V _{IH} or V _{IL} ; V _O = V _{CC} or GND per input pin; other inputs at V _{CC} or GND; I _O = 0 | 5.5 | – | – | ±0.25 | – | ±2.5 | – | ±10.0 | µA |
| I _{CC} | quiescent supply current | V _I = V _{CC} or GND; I _O = 0 | 5.5 | – | – | 4.0 | – | 40 | – | 80 | µA |
| ΔI _{CC} | additional quiescent supply current per input pin | V _I = V _{CC} - 2.1 V other inputs at V _{CC} or GND; I _O = 0 | 4.5 to 5.5 | – | – | 1.35 | – | 1.5 | – | 1.5 | mA |
| C _I | input capacitance | | – | – | 3 | 10 | – | 10 | – | 10 | pF |

Octal D-type flip-flop; positive edge-trigger; 3-state

74AHC374;
74AHCT374

AC CHARACTERISTICS

Type 74AHC374

GND = 0 V; $t_r = t_f \leq 3.0$ ns.

| SYMBOL | PARAMETER | TEST CONDITIONS | | T_{amb} (°C) | | | | | | UNIT | |
|--|---|------------------------|-------|----------------|------|------|------------|------|-------------|------|------|
| | | WAVEFORMS | C_L | 25 | | | -40 to +85 | | -40 to +125 | | |
| | | | | MIN. | TYP. | MAX. | MIN. | MAX. | MIN. | | MAX. |
| $V_{CC} = 3.0$ to 3.6 V; note 1 | | | | | | | | | | | |
| t_{PHL}/t_{PLH} | propagation delay CP to Q_n | see Figs 6, 8 and 9 | 15 pF | – | 6.4 | 12.7 | 1.0 | 15.0 | 1.0 | 16.0 | ns |
| t_{PZH}/t_{PZL} | propagation delay \overline{OE} to Q_n | see Figs 7 and 9 | 15 pF | – | 5.5 | 11.0 | 1.0 | 13.0 | 1.0 | 14.0 | ns |
| t_{PHZ}/t_{PLZ} | propagation delay \overline{OE} to Q_n | | | – | 5.6 | 10.5 | 1.0 | 12.5 | 1.0 | 13.0 | ns |
| f_{max} | maximum clock pulse frequency | see Figs 6 and 9 | 15 pF | 80 | 130 | – | 70 | – | 70 | – | MHz |
| t_{PHL}/t_{PLH} | propagation delay CP to Q_n | see Figs 6, 8 and 9 | 50 pF | – | 8.4 | 16.2 | 1.0 | 18.5 | 1.0 | 20.5 | ns |
| t_{PZH}/t_{PZL} | propagation delay \overline{OE} to Q_n | see Figs 7 and 9 | | – | 7.3 | 14.5 | 1.0 | 16.5 | 1.0 | 18.0 | ns |
| t_{PHZ}/t_{PLZ} | propagation delay \overline{OE} to Q_n | see Figs 7 and 9 | | – | 9.4 | 14.0 | 1.0 | 16.0 | 1.0 | 17.5 | ns |
| t_W | clock pulse width HIGH or LOW | see Figs 6 and 9 | | 5.0 | – | – | 5.5 | – | 5.5 | – | ns |
| t_{su} | set-up time D_n to CP | see Figs 8 and 9 | | 4.5 | – | – | 4.0 | – | 4.0 | – | ns |
| t_h | hold time D_n to CP | | | 2.0 | – | – | 2.0 | – | 2.0 | – | ns |
| f_{max} | maximum clock pulse frequency | see Figs 6 and 9 | | 55 | 85 | – | 50 | – | 50 | – | MHz |

Octal D-type flip-flop; positive edge-trigger; 3-state

74AHC374;
74AHCT374

| SYMBOL | PARAMETER | TEST CONDITIONS | | T _{amb} (°C) | | | | | | UNIT | |
|--|---|------------------------|----------------|-----------------------|------|------|------------|------|-------------|------|------|
| | | WAVEFORMS | C _L | 25 | | | -40 to +85 | | -40 to +125 | | |
| | | | | MIN. | TYP. | MAX. | MIN. | MAX. | MIN. | | MAX. |
| V_{CC} = 4.5 to 5.5 V; note 2 | | | | | | | | | | | |
| t _{PHL} /t _{PLH} | propagation delay CP to Q _n | see Figs 6, 8 and 9 | 15 pF | – | 4.4 | 8.1 | 1.0 | 9.5 | 1.0 | 10.0 | ns |
| t _{PZH} /t _{PZL} | propagation delay OE to Q _n | see Figs 7 and 9 | | – | 3.9 | 7.6 | 1.0 | 9.0 | 1.0 | 9.5 | ns |
| t _{PHZ} /t _{PLZ} | propagation delay OE to Q _n | | | – | 4.2 | 6.8 | 1.0 | 8.0 | 1.0 | 8.5 | ns |
| f _{max} | maximum clock pulse frequency | | | see Figs 6 and 9 | 130 | 185 | – | 110 | – | 110 | – |
| t _{PHL} /t _{PLH} | propagation delay CP to Q _n | see Figs 6, 8 and 9 | 50 pF | – | 5.7 | 10.1 | 1.0 | 11.5 | 1.0 | 12.5 | ns |
| t _{PZH} /t _{PZL} | propagation delay OE to Q _n | see Figs 7 and 9 | | – | 5.2 | 9.6 | 1.0 | 11 | 1.0 | 12.0 | ns |
| t _{PHZ} /t _{PLZ} | propagation delay OE to Q _n | | | – | 6.4 | 8.8 | 1.0 | 10.0 | 1.0 | 11.0 | ns |
| t _w | clock pulse width HIGH or LOW | | | see Figs 6 and 9 | 5.0 | – | – | 5.0 | – | 5.0 | – |
| t _{su} | set-up time D _n to CP | see Figs 8 and 9 | | 3.0 | – | – | 3.0 | – | 3.0 | – | ns |
| t _h | hold time D _n to CP | | | 2.0 | – | – | 2.0 | – | 2.0 | – | ns |
| f _{max} | maximum clock pulse frequency | see Figs 6 and 9 | | 85 | 120 | – | 75 | – | 75 | – | MHz |

Notes

1. Typical values at V_{CC} = 3.3 V.
2. Typical values at V_{CC} = 5.0 V.

Octal D-type flip-flop; positive edge-trigger; 3-state

74AHC374;
74AHCT374

Type 74AHCT374

GND = 0 V; $t_r = t_f \leq 3.0$ ns.

| SYMBOL | PARAMETER | TEST CONDITIONS | | T_{amb} (°C) | | | | | | UNIT | |
|--|---|------------------------|-------|----------------|------|------|------------|------|-------------|------|------|
| | | WAVEFORMS | C_L | 25 | | | -40 to +85 | | -40 to +125 | | |
| | | | | MIN. | TYP. | MAX. | MIN. | MAX. | MIN. | | MAX. |
| $V_{CC} = 4.5$ to 5.5 V; note 1 | | | | | | | | | | | |
| t_{PHL}/t_{PLH} | propagation delay CP to Q_n | see Figs 6, 8 and 9 | 15 pF | – | 4.3 | 9.4 | 1.0 | 10.5 | 1.0 | 12.0 | ns |
| t_{PZH}/t_{PZL} | propagation delay \overline{OE} to Q_n | see Figs 7 and 9 | | – | 3.5 | 10.2 | 1.0 | 11.5 | 1.0 | 13.0 | ns |
| t_{PHZ}/t_{PLZ} | propagation delay \overline{OE} to Q_n | | | – | 3.6 | 10.2 | 1.0 | 11.0 | 1.0 | 13.0 | ns |
| f_{max} | maximum clock pulse frequency | see Figs 6 and 9 | | 90 | 140 | – | 80 | – | 80 | – | MHz |
| t_{PHL}/t_{PLH} | propagation delay CP to Q_n | see Figs 6, 8 and 9 | 50 pF | – | 5.6 | 10.4 | 1.0 | 11.5 | 1.0 | 13.0 | ns |
| t_{PZH}/t_{PZL} | propagation delay \overline{OE} to Q_n | see Figs 7 and 9 | | – | 4.8 | 11.2 | 1.0 | 12.5 | 1.0 | 14.0 | ns |
| t_{PHZ}/t_{PLZ} | propagation delay \overline{OE} to Q_n | | | – | 5.7 | 11.2 | 1.0 | 12.0 | 1.0 | 14.0 | ns |
| t_W | clock pulse width HIGH or LOW | see Figs 6 and 9 | | 6.5 | – | – | 6.5 | – | 6.5 | – | ns |
| t_{su} | set-up time D_n to CP | see Figs 8 and 9 | | 2.5 | – | – | 2.5 | – | 2.5 | – | ns |
| t_h | hold time D_n to CP | | | 2.5 | – | – | 2.5 | – | 2.5 | – | ns |
| f_{max} | maximum clock pulse frequency | see Figs 6 and 9 | | 85 | 130 | – | 75 | – | 75 | – | MHz |

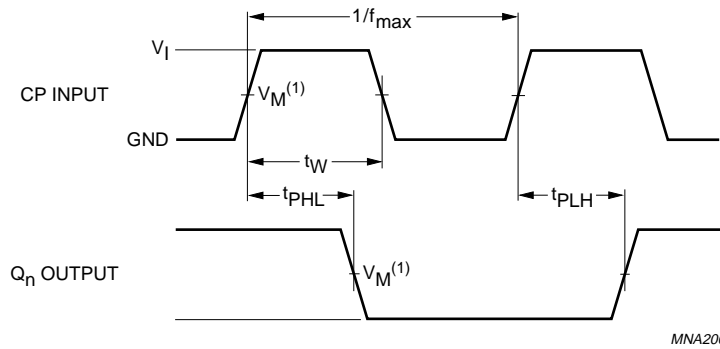
Note

1. Typical values at $V_{CC} = 5.0$ V.

Octal D-type flip-flop; positive edge-trigger; 3-state

74AHC374;
74AHCT374

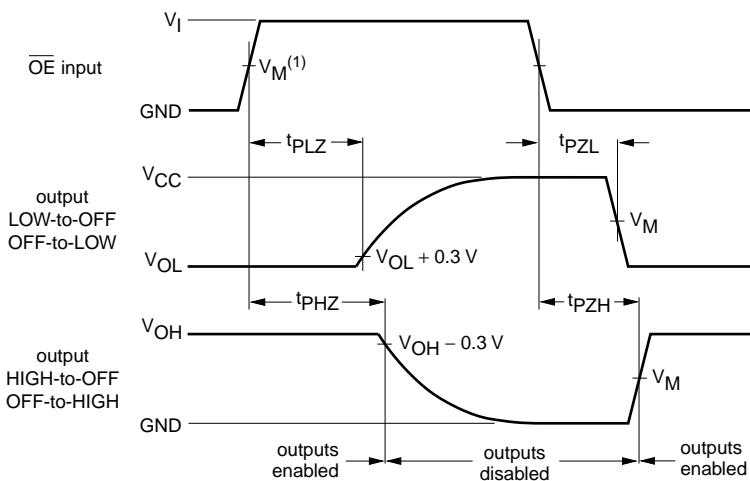
AC WAVEFORMS



MNA200

| FAMILY | V _I INPUT REQUIREMENTS | V _M ⁽¹⁾ INPUT | V _M ⁽¹⁾ OUTPUT |
|--------|-----------------------------------|-------------------------------------|--------------------------------------|
| AHC | GND to V _{CC} | 50% V _{CC} | 50% V _{CC} |
| AHCT | GND to 3.0 V | 1.5 V | 50% V _{CC} |

Fig.6 The clock (CP) to output (Q_n) propagation delays.



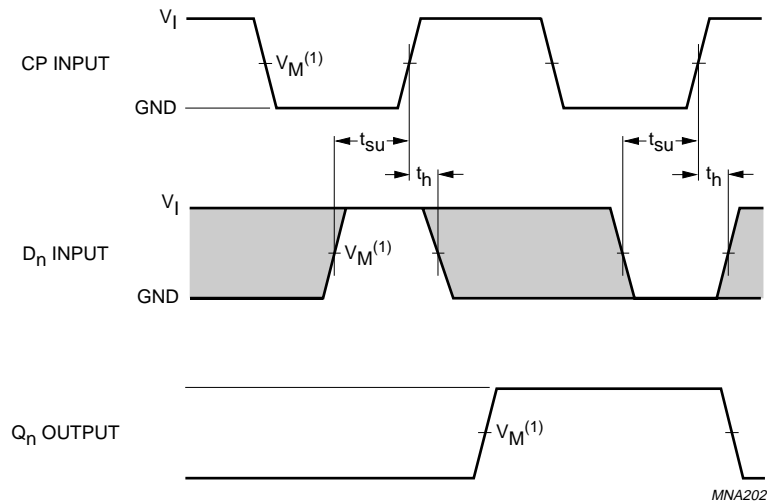
MNA450

| FAMILY | V _I INPUT REQUIREMENTS | V _M ⁽¹⁾ INPUT | V _M ⁽¹⁾ OUTPUT |
|--------|-----------------------------------|-------------------------------------|--------------------------------------|
| AHC | GND to V _{CC} | 50% V _{CC} | 50% V _{CC} |
| AHCT | GND to 3.0 V | 1.5 V | 50% V _{CC} |

Fig.7 The 3-state enable and disable times.

Octal D-type flip-flop; positive edge-trigger; 3-state

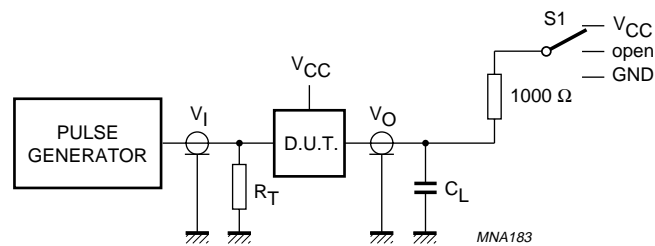
74AHC374;
74AHCT374



| FAMILY | VI INPUT REQUIREMENTS | VM(1) INPUT | VM(1) OUTPUT |
|--------|-----------------------|-------------|--------------|
| AHC | GND to VCC | 50% VCC | 50% VCC |
| AHCT | GND to 3.0 V | 1.5 V | 50% VCC |

The shaded areas indicate when the input is permitted to change for predictable output performance.

Fig.8 The data set-up and hold times for Dn input.



| TEST | S1 |
|-----------|------|
| tPLH/tPHL | open |
| tPLZ/tPZL | VCC |
| tPHZ/tPZH | GND |

Fig.9 Load circuitry for switching times.

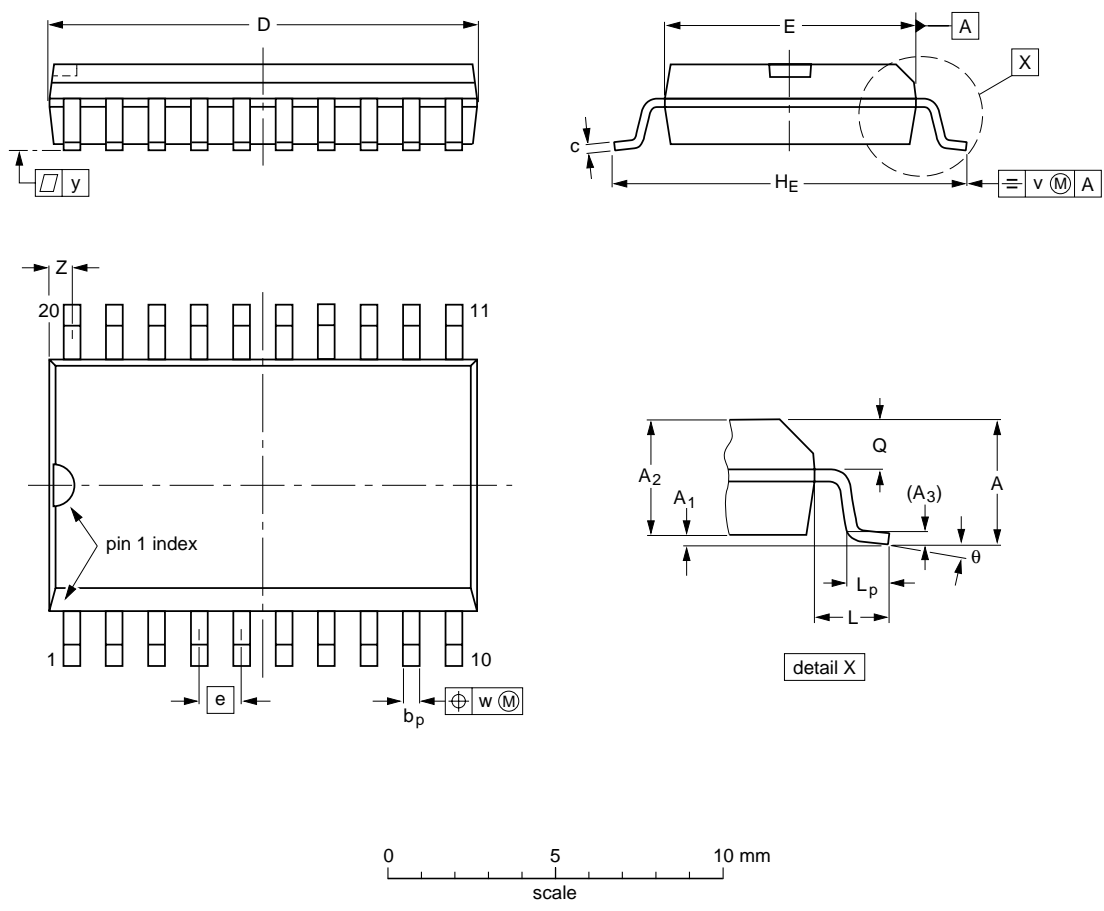
Octal D-type flip-flop; positive edge-trigger; 3-state

74AHC374;
74AHCT374

PACKAGE OUTLINES

SO20: plastic small outline package; 20 leads; body width 7.5 mm

SOT163-1



DIMENSIONS (inch dimensions are derived from the original mm dimensions)

| UNIT | A max. | A ₁ | A ₂ | A ₃ | b _p | c | D ⁽¹⁾ | E ⁽¹⁾ | e | H _E | L | L _p | Q | v | w | y | Z ⁽¹⁾ | θ |
|--------|--------|----------------|----------------|----------------|----------------|----------------|------------------|------------------|-------|----------------|-------|----------------|----------------|------|------|-------|------------------|----------|
| mm | 2.65 | 0.30 0.10 | 2.45 2.25 | 0.25 | 0.49 0.36 | 0.32 0.23 | 13.0 12.6 | 7.6 7.4 | 1.27 | 10.65 10.00 | 1.4 | 1.1 0.4 | 1.1 1.0 | 0.25 | 0.25 | 0.1 | 0.9 0.4 | 8° 0° |
| inches | 0.10 | 0.012 0.004 | 0.096 0.089 | 0.01 | 0.019 0.014 | 0.013 0.009 | 0.51 0.49 | 0.30 0.29 | 0.050 | 0.419 0.394 | 0.055 | 0.043 0.016 | 0.043 0.039 | 0.01 | 0.01 | 0.004 | 0.035 0.016 | |

Note

1. Plastic or metal protrusions of 0.15 mm maximum per side are not included.

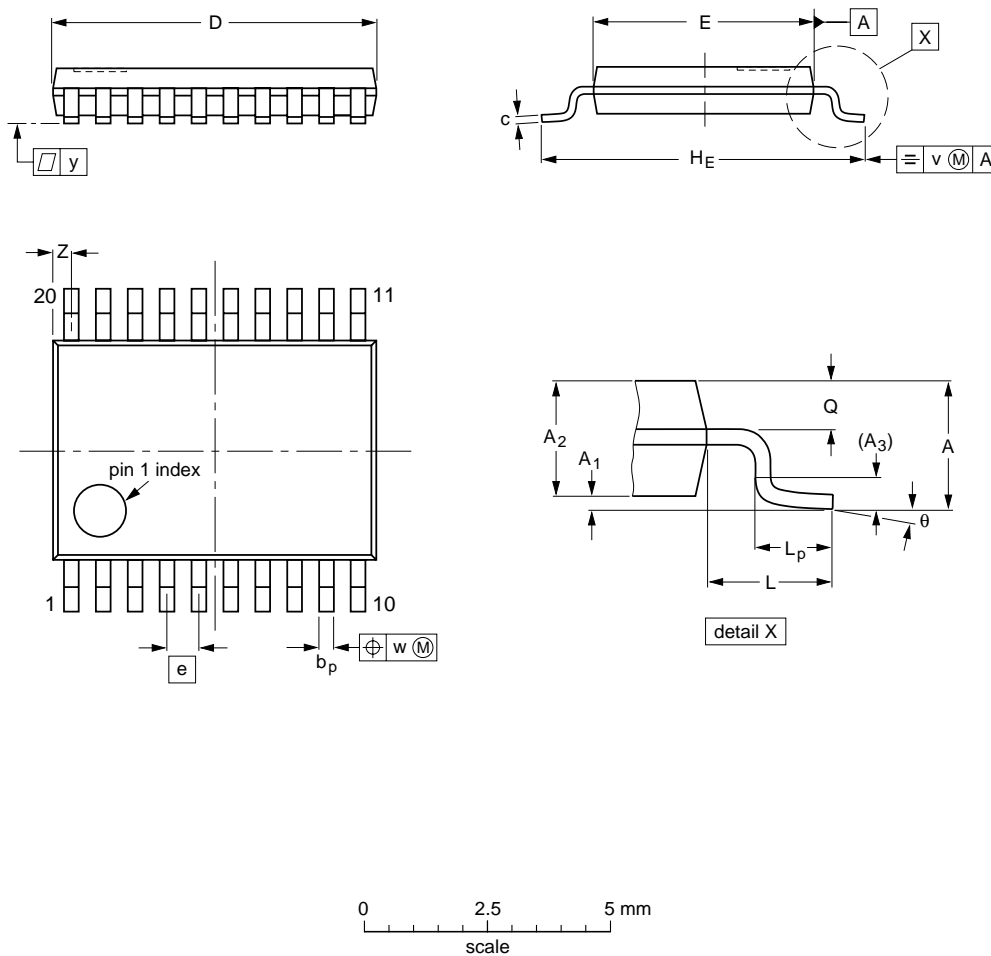
| OUTLINE VERSION | REFERENCES | | | | EUROPEAN PROJECTION | ISSUE DATE |
|-----------------|------------|----------|------|--|---------------------|----------------------|
| | IEC | JEDEC | EIAJ | | | |
| SOT163-1 | 075E04 | MS-013AC | | | | 95-01-24 97-05-22 |

Octal D-type flip-flop; positive edge-trigger; 3-state

74AHC374;
74AHCT374

TSSOP20: plastic thin shrink small outline package; 20 leads; body width 4.4 mm

SOT360-1



DIMENSIONS (mm are the original dimensions)

| UNIT | A max. | A ₁ | A ₂ | A ₃ | b _p | c | D ⁽¹⁾ | E ⁽²⁾ | e | H _E | L | L _p | Q | v | w | y | z ⁽¹⁾ | θ |
|------|--------|----------------|----------------|----------------|----------------|------------|------------------|------------------|------|----------------|-----|----------------|------------|-----|------|-----|------------------|----------|
| mm | 1.10 | 0.15 0.05 | 0.95 0.80 | 0.25 | 0.30 0.19 | 0.2 0.1 | 6.6 6.4 | 4.5 4.3 | 0.65 | 6.6 6.2 | 1.0 | 0.75 0.50 | 0.4 0.3 | 0.2 | 0.13 | 0.1 | 0.5 0.2 | 8° 0° |

Notes

1. Plastic or metal protrusions of 0.15 mm maximum per side are not included.
2. Plastic interlead protrusions of 0.25 mm maximum per side are not included.

| OUTLINE VERSION | REFERENCES | | | | EUROPEAN PROJECTION | ISSUE DATE |
|-----------------|------------|----------|------|--|---------------------|-----------------------|
| | IEC | JEDEC | EIAJ | | | |
| SOT360-1 | | MO-153AC | | | | 93-06-16- 95-02-04 |

Octal D-type flip-flop; positive edge-trigger; 3-state

74AHC374;
74AHCT374

SOLDERING

Introduction to soldering surface mount packages

This text gives a very brief insight to a complex technology. A more in-depth account of soldering ICs can be found in our *"Data Handbook IC26; Integrated Circuit Packages"* (document order number 9398 652 90011).

There is no soldering method that is ideal for all surface mount IC packages. Wave soldering is not always suitable for surface mount ICs, or for printed-circuit boards with high population densities. In these situations reflow soldering is often used.

Reflow soldering

Reflow soldering requires solder paste (a suspension of fine solder particles, flux and binding agent) to be applied to the printed-circuit board by screen printing, stencilling or pressure-syringe dispensing before package placement.

Several methods exist for reflowing; for example, infrared/convection heating in a conveyor type oven. Throughput times (preheating, soldering and cooling) vary between 100 and 200 seconds depending on heating method.

Typical reflow peak temperatures range from 215 to 250 °C. The top-surface temperature of the packages should preferably be kept below 230 °C.

Wave soldering

Conventional single wave soldering is not recommended for surface mount devices (SMDs) or printed-circuit boards with a high component density, as solder bridging and non-wetting can present major problems.

To overcome these problems the double-wave soldering method was specifically developed.

If wave soldering is used the following conditions must be observed for optimal results:

- Use a double-wave soldering method comprising a turbulent wave with high upward pressure followed by a smooth laminar wave.
- For packages with leads on two sides and a pitch (e):
 - larger than or equal to 1.27 mm, the footprint longitudinal axis is **preferred** to be parallel to the transport direction of the printed-circuit board;
 - smaller than 1.27 mm, the footprint longitudinal axis **must** be parallel to the transport direction of the printed-circuit board.

The footprint must incorporate solder thieves at the downstream end.

- For packages with leads on four sides, the footprint must be placed at a 45° angle to the transport direction of the printed-circuit board. The footprint must incorporate solder thieves downstream and at the side corners.

During placement and before soldering, the package must be fixed with a droplet of adhesive. The adhesive can be applied by screen printing, pin transfer or syringe dispensing. The package can be soldered after the adhesive is cured.

Typical dwell time is 4 seconds at 250 °C.

A mildly-activated flux will eliminate the need for removal of corrosive residues in most applications.

Manual soldering

Fix the component by first soldering two diagonally-opposite end leads. Use a low voltage (24 V or less) soldering iron applied to the flat part of the lead. Contact time must be limited to 10 seconds at up to 300 °C.

When using a dedicated tool, all other leads can be soldered in one operation within 2 to 5 seconds between 270 and 320 °C.

Octal D-type flip-flop; positive edge-trigger; 3-state

74AHC374;
74AHCT374

Suitability of surface mount IC packages for wave and reflow soldering methods

| PACKAGE | SOLDERING METHOD | |
|--|-----------------------------------|-----------------------|
| | WAVE | REFLOW ⁽¹⁾ |
| BGA, SQFP | not suitable | suitable |
| HLQFP, HSQFP, HSOP, HTQFP, HTSSOP, SMS | not suitable ⁽²⁾ | suitable |
| PLCC ⁽³⁾ , SO, SOJ | suitable | suitable |
| LQFP, QFP, TQFP | not recommended ⁽³⁾⁽⁴⁾ | suitable |
| SSOP, TSSOP, VSO | not recommended ⁽⁵⁾ | suitable |

Notes

- All surface mount (SMD) packages are moisture sensitive. Depending upon the moisture content, the maximum temperature (with respect to time) and body size of the package, there is a risk that internal or external package cracks may occur due to vaporization of the moisture in them (the so called popcorn effect). For details, refer to the Drypack information in the "Data Handbook IC26; Integrated Circuit Packages; Section: Packing Methods".
- These packages are not suitable for wave soldering as a solder joint between the printed-circuit board and heatsink (at bottom version) can not be achieved, and as solder may stick to the heatsink (on top version).
- If wave soldering is considered, then the package must be placed at a 45° angle to the solder wave direction. The package footprint must incorporate solder thieves downstream and at the side corners.
- Wave soldering is only suitable for LQFP, TQFP and QFP packages with a pitch (e) equal to or larger than 0.8 mm; it is definitely not suitable for packages with a pitch (e) equal to or smaller than 0.65 mm.
- Wave soldering is only suitable for SSOP and TSSOP packages with a pitch (e) equal to or larger than 0.65 mm; it is definitely not suitable for packages with a pitch (e) equal to or smaller than 0.5 mm.

DEFINITIONS

| Data sheet status | |
|---|---|
| Objective specification | This data sheet contains target or goal specifications for product development. |
| Preliminary specification | This data sheet contains preliminary data; supplementary data may be published later. |
| Product specification | This data sheet contains final product specifications. |
| Limiting values | |
| Limiting values given are in accordance with the Absolute Maximum Rating System (IEC 134). Stress above one or more of the limiting values may cause permanent damage to the device. These are stress ratings only and operation of the device at these or at any other conditions above those given in the Characteristics sections of the specification is not implied. Exposure to limiting values for extended periods may affect device reliability. | |
| Application information | |
| Where application information is given, it is advisory and does not form part of the specification. | |

LIFE SUPPORT APPLICATIONS

These products are not designed for use in life support appliances, devices, or systems where malfunction of these products can reasonably be expected to result in personal injury. Philips customers using or selling these products for use in such applications do so at their own risk and agree to fully indemnify Philips for any damages resulting from such improper use or sale.

Octal D-type flip-flop; positive edge-trigger; 3-state

74AHC374;
74AHCT374

NOTES

Octal D-type flip-flop; positive edge-trigger; 3-state

74AHC374;
74AHCT374

NOTES

Philips Semiconductors – a worldwide company

Argentina: see South America

Australia: 3 Figtree Drive, HOME BUSH, NSW 2140,
Tel. +61 2 9704 8141, Fax. +61 2 9704 8139

Austria: Computerstr. 6, A-1101 WIEN, P.O. Box 213,
Tel. +43 1 60 101 1248, Fax. +43 1 60 101 1210

Belarus: Hotel Minsk Business Center, Bld. 3, r. 1211, Volodarski Str. 6,
220050 MINSK, Tel. +375 172 20 0733, Fax. +375 172 20 0773

Belgium: see The Netherlands

Brazil: see South America

Bulgaria: Philips Bulgaria Ltd., Energoproject, 15th floor,
51 James Bourchier Blvd., 1407 SOFIA,
Tel. +359 2 68 9211, Fax. +359 2 68 9102

Canada: PHILIPS SEMICONDUCTORS/COMPONENTS,
Tel. +1 800 234 7381, Fax. +1 800 943 0087

China/Hong Kong: 501 Hong Kong Industrial Technology Centre,
72 Tat Chee Avenue, Kowloon Tong, HONG KONG,
Tel. +852 2319 7888, Fax. +852 2319 7700

Colombia: see South America

Czech Republic: see Austria

Denmark: Sydhavnsgade 23, 1780 COPENHAGEN V,
Tel. +45 33 29 3333, Fax. +45 33 29 3905

Finland: Sinikalliontie 3, FIN-02630 ESPOO,
Tel. +358 9 615 800, Fax. +358 9 6158 0920

France: 51 Rue Carnot, BP317, 92156 SURESNES Cedex,
Tel. +33 1 4099 6161, Fax. +33 1 4099 6427

Germany: Hammerbrookstraße 69, D-20097 HAMBURG,
Tel. +49 40 2353 60, Fax. +49 40 2353 6300

Hungary: see Austria

India: Philips INDIA Ltd, Band Box Building, 2nd floor,
254-D, Dr. Annie Besant Road, Worli, MUMBAI 400 025,
Tel. +91 22 493 8541, Fax. +91 22 493 0966

Indonesia: PT Philips Development Corporation, Semiconductors Division,
Gedung Philips, Jl. Buncit Raya Kav.99-100, JAKARTA 12510,
Tel. +62 21 794 0040 ext. 2501, Fax. +62 21 794 0080

Ireland: Newstead, Clonskeagh, DUBLIN 14,
Tel. +353 1 7640 000, Fax. +353 1 7640 200

Israel: RAPAC Electronics, 7 Kehilat Saloniki St, PO Box 18053,
TEL AVIV 61180, Tel. +972 3 645 0444, Fax. +972 3 649 1007

Italy: PHILIPS SEMICONDUCTORS, Via Casati, 23 - 20052 MONZA (MI),
Tel. +39 039 203 6838, Fax +39 039 203 6800

Japan: Philips Bldg 13-37, Kohnan 2-chome, Minato-ku,
TOKYO 108-8507, Tel. +81 3 3740 5130, Fax. +81 3 3740 5057

Korea: Philips House, 260-199 Itaewon-dong, Yongsan-ku, SEOUL,
Tel. +82 2 709 1412, Fax. +82 2 709 1415

Malaysia: No. 76 Jalan Universiti, 46200 PETALING JAYA, SELANGOR,
Tel. +60 3 750 5214, Fax. +60 3 757 4880

Mexico: 5900 Gateway East, Suite 200, EL PASO, TEXAS 79905,
Tel. +9-5 800 234 7381, Fax +9-5 800 943 0087

Middle East: see Italy

Netherlands: Postbus 90050, 5600 PB EINDHOVEN, Bldg. VB,
Tel. +31 40 27 82785, Fax. +31 40 27 88399

New Zealand: 2 Wagener Place, C.P.O. Box 1041, AUCKLAND,
Tel. +64 9 849 4160, Fax. +64 9 849 7811

Norway: Box 1, Manglerud 0612, OSLO,
Tel. +47 22 74 8000, Fax. +47 22 74 8341

Pakistan: see Singapore

Philippines: Philips Semiconductors Philippines Inc.,
106 Valero St. Salcedo Village, P.O. Box 2108 MCC, MAKATI,
Metro MANILA, Tel. +63 2 816 6380, Fax. +63 2 817 3474

Poland: Al.Jerozolimskie 195 B, 02-222 WARSAW,
Tel. +48 22 5710 000, Fax. +48 22 5710 001

Portugal: see Spain

Romania: see Italy

Russia: Philips Russia, Ul. Usatcheva 35A, 119048 MOSCOW,
Tel. +7 095 755 6918, Fax. +7 095 755 6919

Singapore: Lorong 1, Toa Payoh, SINGAPORE 319762,
Tel. +65 350 2538, Fax. +65 251 6500

Slovakia: see Austria

Slovenia: see Italy

South Africa: S.A. PHILIPS Pty Ltd., 195-215 Main Road Martindale,
2092 JOHANNESBURG, P.O. Box 58088 Newville 2114,
Tel. +27 11 471 5401, Fax. +27 11 471 5398

South America: Al. Vicente Pinzon, 173, 6th floor,
04547-130 SÃO PAULO, SP, Brazil,
Tel. +55 11 821 2333, Fax. +55 11 821 2382

Spain: Balmes 22, 08007 BARCELONA,
Tel. +34 93 301 6312, Fax. +34 93 301 4107

Sweden: Kottbygatan 7, Akalla, S-16485 STOCKHOLM,
Tel. +46 8 5985 2000, Fax. +46 8 5985 2745

Switzerland: Allmendstrasse 140, CH-8027 ZÜRICH,
Tel. +41 1 488 2741 Fax. +41 1 488 3263

Taiwan: Philips Semiconductors, 6F, No. 96, Chien Kuo N. Rd., Sec. 1,
TAIPEI, Taiwan Tel. +886 2 2134 2886, Fax. +886 2 2134 2874

Thailand: PHILIPS ELECTRONICS (THAILAND) Ltd.,
209/2 Sanpavuth-Bangna Road Prakanong, BANGKOK 10260,
Tel. +66 2 745 4090, Fax. +66 2 398 0793

Turkey: Yukari Dudullu, Org. San. Blg., 2.Cad. Nr. 28 81260 Umraniye,
ISTANBUL, Tel. +90 216 522 1500, Fax. +90 216 522 1813

Ukraine: PHILIPS UKRAINE, 4 Patrice Lumumba str., Building B, Floor 7,
252042 KIEV, Tel. +380 44 264 2776, Fax. +380 44 268 0461

United Kingdom: Philips Semiconductors Ltd., 276 Bath Road, Hayes,
MIDDLESEX UB3 5BX, Tel. +44 208 730 5000, Fax. +44 208 754 8421

United States: 811 East Arques Avenue, SUNNYVALE, CA 94088-3409,
Tel. +1 800 234 7381, Fax. +1 800 943 0087

Uruguay: see South America

Vietnam: see Singapore

Yugoslavia: PHILIPS, Trg N. Pasica 5/v, 11000 BEOGRAD,
Tel. +381 11 62 5344, Fax.+381 11 63 5777

For all other countries apply to: Philips Semiconductors,
International Marketing & Sales Communications, Building BE-p, P.O. Box 218,
5600 MD EINDHOVEN, The Netherlands, Fax. +31 40 27 24825

Internet: <http://www.semiconductors.philips.com>

© Philips Electronics N.V. 1999

SCA 68

All rights are reserved. Reproduction in whole or in part is prohibited without the prior written consent of the copyright owner.

The information presented in this document does not form part of any quotation or contract, is believed to be accurate and reliable and may be changed without notice. No liability will be accepted by the publisher for any consequence of its use. Publication thereof does not convey nor imply any license under patent- or other industrial or intellectual property rights.

Printed in The Netherlands

245002/02/pp20

Date of release: 1999 Sep 28

Document order number: 9397 750 06299

Let's make things better.

Philips
Semiconductors



PHILIPS



Стандарт Электрон Связь

Мы молодая и активно развивающаяся компания в области поставок электронных компонентов. Мы поставляем электронные компоненты отечественного и импортного производства напрямую от производителей и с крупнейших складов мира.

Благодаря сотрудничеству с мировыми поставщиками мы осуществляем комплексные и плановые поставки широчайшего спектра электронных компонентов.

Собственная эффективная логистика и склад в обеспечивает надежную поставку продукции в точно указанные сроки по всей России.

Мы осуществляем техническую поддержку нашим клиентам и предпродажную проверку качества продукции. На все поставляемые продукты мы предоставляем гарантию .

Осуществляем поставки продукции под контролем ВП МО РФ на предприятия военно-промышленного комплекса России , а также работаем в рамках 275 ФЗ с открытием отдельных счетов в уполномоченном банке. Система менеджмента качества компании соответствует требованиям ГОСТ ISO 9001.

Минимальные сроки поставки, гибкие цены, неограниченный ассортимент и индивидуальный подход к клиентам являются основой для выстраивания долгосрочного и эффективного сотрудничества с предприятиями радиоэлектронной промышленности, предприятиями ВПК и научно-исследовательскими институтами России.

С нами вы становитесь еще успешнее!

Наши контакты:

Телефон: +7 812 627 14 35

Электронная почта: sales@st-electron.ru

Адрес: 198099, Санкт-Петербург,
Промышленная ул, дом № 19, литера Н,
помещение 100-Н Офис 331