

Evaluation Board for the ADM3053 with Integrated DC-to-DC Converter

FEATURES

Easy evaluation of the [ADM3053](#)

Signal and power isolated CAN transceiver

isoPower integrated isolated dc-to-dc converter

5 V operation on V_{CC}

5 V or 3.3 V operation on V_{IO}

High speed data rates up to 1 Mbps

Connect 110 or more nodes on the bus

ADM3053 APPLICATIONS

Controller area networking (CAN) data buses

Industrial field networks

CANOpen applications

EQUIPMENT NEEDED

EVAL-ADM3053EBZ

GENERAL DESCRIPTION

The EVAL-ADM3053EBZ allows easy evaluation of the ADM3053 signal and power isolated CAN transceivers. The evaluation board allows all of the input and output functions to be exercised without the need for external components.

The device employs Analog Devices, Inc., *iCoupler*® technology to combine a 2-channel isolator, a CAN transceiver, and an Analog Devices, Inc., *isoPower*® dc-to-dc converter into a single SOIC surface-mount package. An on-chip oscillator outputs a pair of square waveforms that drive an internal transformer to provide isolated power. The device is powered by a single 5 V supply, realizing a fully isolated CAN solution.

The ADM3053 contains *isoPower* technology that uses high frequency switching elements to transfer power through the transformer. For layout guidelines, see the [AN-0971](#) Application Note.

FUNCTIONAL BLOCK DIAGRAM

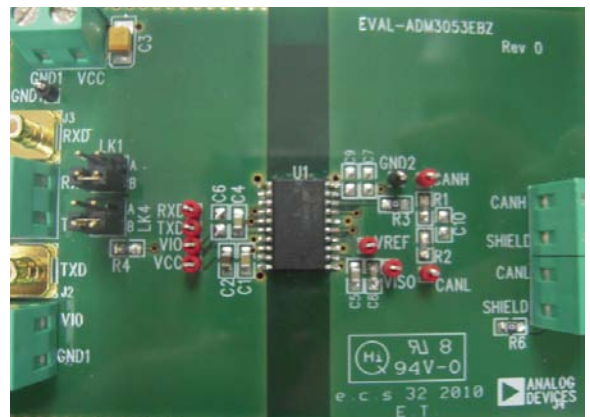


Figure 1.

TABLE OF CONTENTS

Features	1	Setting Up the Evaluation Board	3
Equipment Needed	1	Evaluation Board Schematics	4
General Description	1	Ordering Information	8
Functional Block Diagram	1	Bill of Materials	8
Revision History	2	Related Links	8
Evaluation Board Hardware	3		

REVISION HISTORY

7/11—Revision 0: Initial Version

EVALUATION BOARD HARDWARE

SETTING UP THE EVALUATION BOARD

The EVAL-ADM3053EBZ allows the ADM3053 signal and power isolated CAN transceivers to be easily evaluated. The power supply is connected between a single 5 V supply on V_{DD1} and a 3.3 V or 5 V supply on V_{IO} . Note that the typical supply current from V_{DD1} (I_{CC1}) is less than 30 mA when the part is in the recessive state, less than 200 mA when the part is in the dominant state, and less than 140 mA when actively switching states at 500 kbps.

V_{CC} supplies power to the *isoPower* circuitry while V_{IO} supplies the *iCoupler* circuitry. Two decoupling capacitors of values 0.1 μF and 10 μF are fitted to both of these, C1 and C2 between V_{CC} and GND_1 and C4 and C6 between V_{IO} and GND_1 . On the bus side, it is required that V_{ISOIN} be connected to V_{ISOOUT} . A 10 μF reservoir capacitor (C9) and a 0.1 μF decoupling

capacitor (C7) are fitted between V_{ISOOUT} and GND_2 . Two 0.1 μF and 0.01 μF decoupling capacitors (C5 and C8) are fitted between V_{ISOIN} and GND_2 .

R_S is the slope resistor input. This is connected through a resistor, R_S , to GND_2 and is used to adjust the slope of the CANH and CANL signals as required.

An example operation of the EVAL-ADM3053EBZ is shown in Figure 2. Connect a clock generator on TXD, and set up a 500 kHz square wave clock with output swinging between 0 V and 5 V. Connect the scope probes to the test points, CANH and CANL. A plot of what can be seen on the oscilloscope for TXD, CANH, and CANL is shown in Figure 3; Channel 1 shows the TXD signal, and Channel 2 and Channel 3 show the CANH and CANL signals.

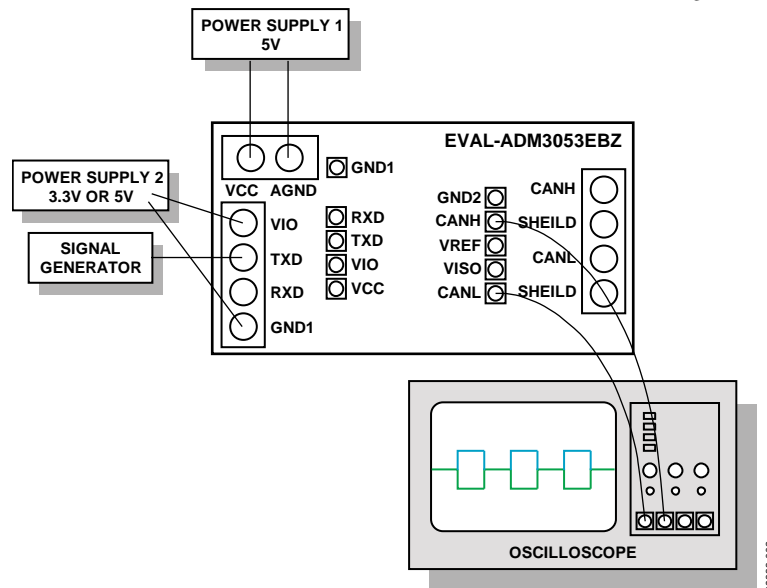


Figure 2. Basic Isolated CAN Transceiver Evaluation Board Operation

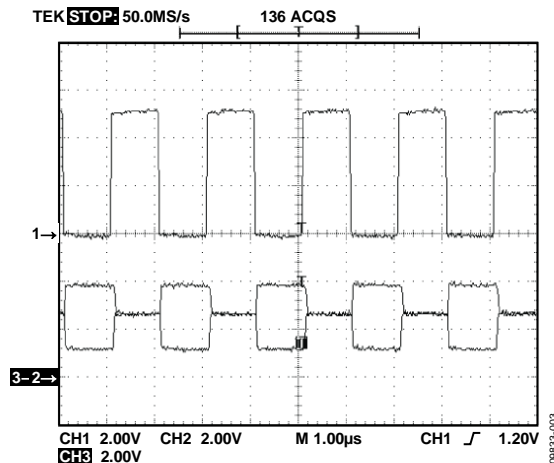


Figure 3. ADM3053 TXD, CANH, and CANL Signals

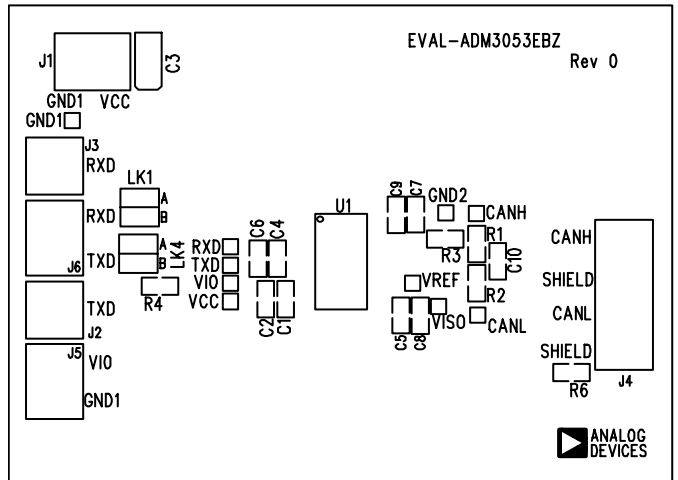


Figure 5. ADM3053 Evaluation Board Silkscreen

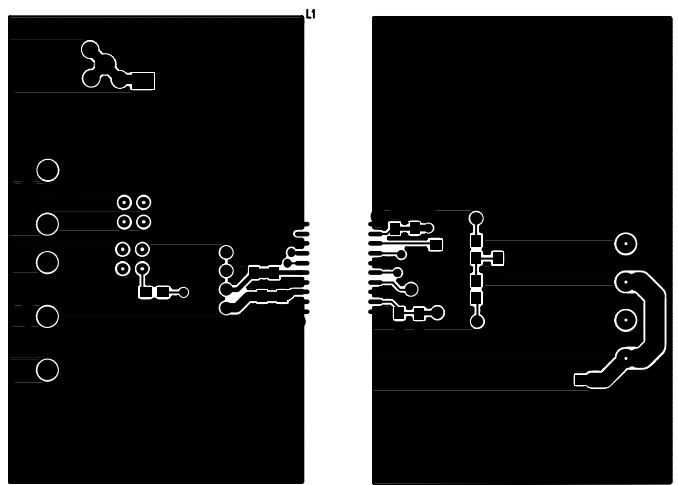


Figure 6. ADM3053 Evaluation Board Component Side

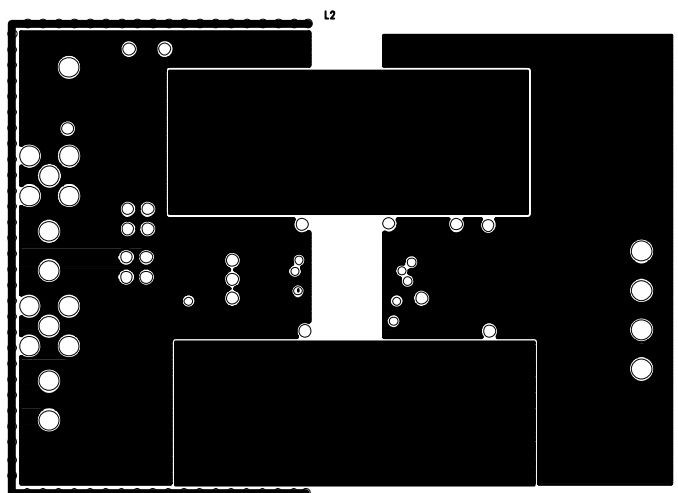
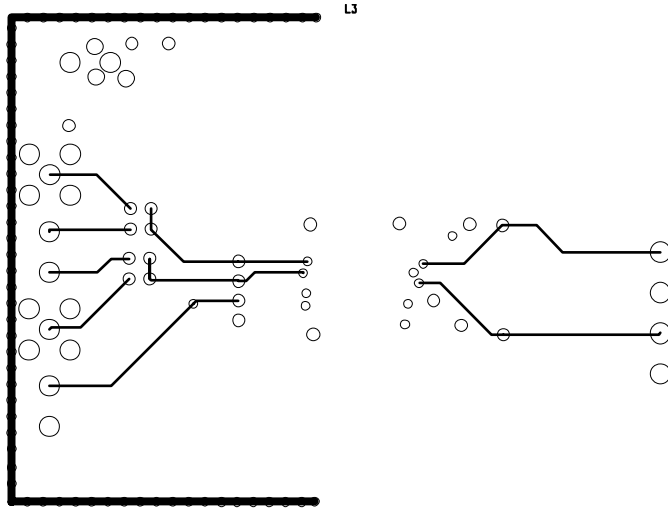
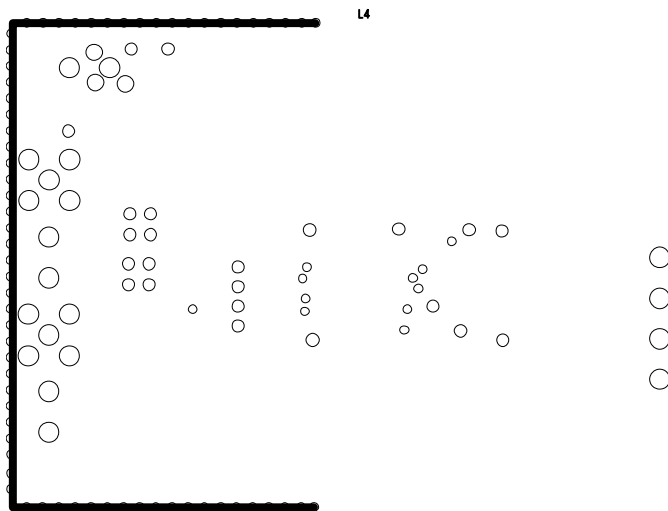


Figure 7. ADM3053 Evaluation Board Layer 2



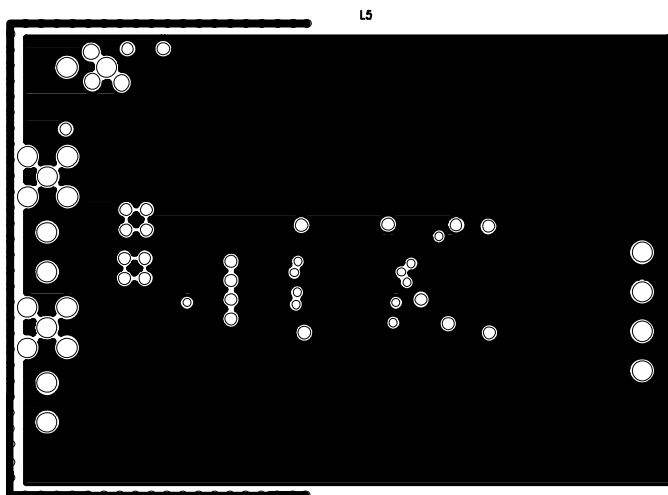
09833-009

Figure 8. ADM3053 Evaluation Board Layer 3



09833-010

Figure 9. ADM3053 Evaluation Board Layer 4



09833-011

Figure 10. ADM3053 Evaluation Board Layer 5

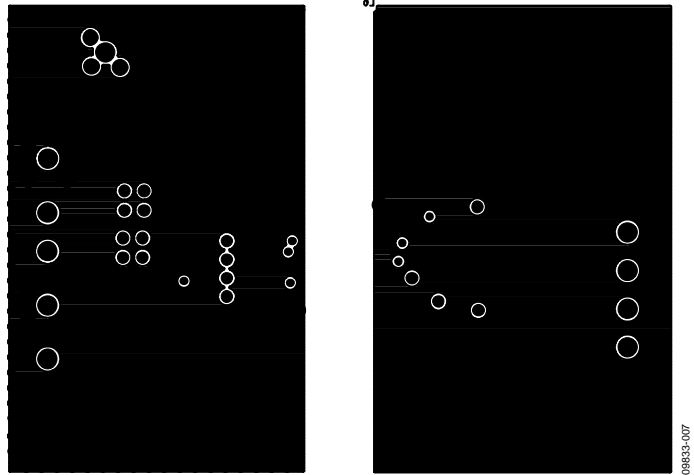


Figure 11. ADM3053 Evaluation Board Solder Side

ORDERING INFORMATION

BILL OF MATERIALS

Table 1.

Qty	Name	Description	Supplier	Part No.
3	C1, C6, C7	Capacitor, 100 nF, 805	Yageo (Phycomp)	CC0805KRX7R7BB104
2	C2, C8	Capacitor, 10 μ F, 805	AVX	08056C106KAT2A
1	C3	Capacitor, Taj-B, 22 μ F	AVX	TAJB226K016R
3	C4, C5, C9	Capacitor, 10 nF, 805	AVX	08053C103KAT2A
1	C10	Capacitor, 47 nF, 805	AVX	08055C473JAT2A
1	J1	2-pin terminal block (5 mm pitch)	Lumberg	KRE 02
2	J2, J3	PCB BNC jack (square)	Radiall	R114426000
1	J4	4-pin terminal block, CON\POWER4	Wieland Electric	25.161.0453.0
2	J5, J6	2-pin terminal block (5 mm pitch), CON\POWER2	Lumberg	KRE 02
1 ¹	LK1, LK2	Header, 2-row, 3 + 3-way	Harwin	M20-9970346
2	LK1, LK2	Jumper_2	Harwin	M7566-05
2	R1, R2	Resistor, 30 Ω , 805	Multicomp	MC 0.1W 0805 1% 30R
2	R3, R6	Resistor, 0 Ω , 805	Multicomp	MC 0.1W 0805 0R
1	R4	Resistor, 10 k Ω , 805	Multicomp	MC 0.1W 0805 1% 10K—RESISTOR, 0805 10K
6	RXD, TXD, VCC, VISO, CANH, CANL	Test point	Vero	20-313137
2	GND1, GND2	Test point	Vero	20-2137
1	U1	SO20WB	Analog Devices	ADM3053BRWZ

¹ Only one header required per board.

RELATED LINKS

Resource	Description
ADM3053	Product Page, Signal and Power isolated CAN Transceiver with Integrated Isolated DC-to-DC Converter
AN-0971	Application note, Recommendations for Control of Radiated Emissions with <i>isoPower</i> ® Devices



ESD Caution

ESD (electrostatic discharge) sensitive device. Charged devices and circuit boards can discharge without detection. Although this product features patented or proprietary protection circuitry, damage may occur on devices subjected to high energy ESD. Therefore, proper ESD precautions should be taken to avoid performance degradation or loss of functionality.

Legal Terms and Conditions

By using the evaluation board discussed herein (together with any tools, components documentation or support materials, the "Evaluation Board"), you are agreeing to be bound by the terms and conditions set forth below ("Agreement") unless you have purchased the Evaluation Board, in which case the Analog Devices Standard Terms and Conditions of Sale shall govern. Do not use the Evaluation Board until you have read and agreed to the Agreement. Your use of the Evaluation Board shall signify your acceptance of the Agreement. This Agreement is made by and between you ("Customer") and Analog Devices, Inc. ("ADI"), with its principal place of business at One Technology Way, Norwood, MA 02062, USA. Subject to the terms and conditions of the Agreement, ADI hereby grants to Customer a free, limited, personal, temporary, non-exclusive, non-sublicensable, non-transferable license to use the Evaluation Board FOR EVALUATION PURPOSES ONLY. Customer understands and agrees that the Evaluation Board is provided for the sole and exclusive purpose referenced above, and agrees not to use the Evaluation Board for any other purpose. Furthermore, the license granted is expressly made subject to the following additional limitations: Customer shall not (i) rent, lease, display, sell, transfer, assign, sublicense, or distribute the Evaluation Board; and (ii) permit any Third Party to access the Evaluation Board. As used herein, the term "Third Party" includes any entity other than ADI, Customer, their employees, affiliates and in-house consultants. The Evaluation Board is NOT sold to Customer; all rights not expressly granted herein, including ownership of the Evaluation Board, are reserved by ADI. CONFIDENTIALITY. This Agreement and the Evaluation Board shall all be considered the confidential and proprietary information of ADI. Customer may not disclose or transfer any portion of the Evaluation Board to any other party for any reason. Upon discontinuation of use of the Evaluation Board or termination of this Agreement, Customer agrees to promptly return the Evaluation Board to ADI. ADDITIONAL RESTRICTIONS. Customer may not disassemble, decompile or reverse engineer chips on the Evaluation Board. Customer shall inform ADI of any occurred damages or any modifications or alterations it makes to the Evaluation Board, including but not limited to soldering or any other activity that affects the material content of the Evaluation Board. Modifications to the Evaluation Board must comply with applicable law, including but not limited to the RoHS Directive. TERMINATION. ADI may terminate this Agreement at any time upon giving written notice to Customer. Customer agrees to return to ADI the Evaluation Board at that time. LIMITATION OF LIABILITY. THE EVALUATION BOARD PROVIDED HEREUNDER IS PROVIDED "AS IS" AND ADI MAKES NO WARRANTIES OR REPRESENTATIONS OF ANY KIND WITH RESPECT TO IT. ADI SPECIFICALLY DISCLAIMS ANY REPRESENTATIONS, ENDORSEMENTS, GUARANTEES, OR WARRANTIES, EXPRESS OR IMPLIED, RELATED TO THE EVALUATION BOARD INCLUDING, BUT NOT LIMITED TO, THE IMPLIED WARRANTY OF MERCHANTABILITY, TITLE, FITNESS FOR A PARTICULAR PURPOSE OR NON-INFRINGEMENT OF INTELLECTUAL PROPERTY RIGHTS. IN NO EVENT WILL ADI AND ITS LICENSORS BE LIABLE FOR ANY INCIDENTAL, SPECIAL, INDIRECT, OR CONSEQUENTIAL DAMAGES RESULTING FROM CUSTOMER'S POSSESSION OR USE OF THE EVALUATION BOARD, INCLUDING BUT NOT LIMITED TO LOST PROFITS, DELAY COSTS, LABOR COSTS OR LOSS OF GOODWILL. ADI'S TOTAL LIABILITY FROM ANY AND ALL CAUSES SHALL BE LIMITED TO THE AMOUNT OF ONE HUNDRED US DOLLARS (\$100.00). EXPORT. Customer agrees that it will not directly or indirectly export the Evaluation Board to another country, and that it will comply with all applicable United States federal laws and regulations relating to exports. GOVERNING LAW. This Agreement shall be governed by and construed in accordance with the substantive laws of the Commonwealth of Massachusetts (excluding conflict of law rules). Any legal action regarding this Agreement will be heard in the state or federal courts having jurisdiction in Suffolk County, Massachusetts, and Customer hereby submits to the personal jurisdiction and venue of such courts. The United Nations Convention on Contracts for the International Sale of Goods shall not apply to this Agreement and is expressly disclaimed.



Стандарт Электрон Связь

Мы молодая и активно развивающаяся компания в области поставок электронных компонентов. Мы поставляем электронные компоненты отечественного и импортного производства напрямую от производителей и с крупнейших складов мира.

Благодаря сотрудничеству с мировыми поставщиками мы осуществляем комплексные и плановые поставки широчайшего спектра электронных компонентов.

Собственная эффективная логистика и склад в обеспечивает надежную поставку продукции в точно указанные сроки по всей России.

Мы осуществляем техническую поддержку нашим клиентам и предпродажную проверку качества продукции. На все поставляемые продукты мы предоставляем гарантию .

Осуществляем поставки продукции под контролем ВП МО РФ на предприятия военно-промышленного комплекса России , а также работаем в рамках 275 ФЗ с открытием отдельных счетов в уполномоченном банке. Система менеджмента качества компании соответствует требованиям ГОСТ ISO 9001.

Минимальные сроки поставки, гибкие цены, неограниченный ассортимент и индивидуальный подход к клиентам являются основой для выстраивания долгосрочного и эффективного сотрудничества с предприятиями радиоэлектронной промышленности, предприятиями ВПК и научно-исследовательскими институтами России.

С нами вы становитесь еще успешнее!

Наши контакты:

Телефон: +7 812 627 14 35

Электронная почта: sales@st-electron.ru

Адрес: 198099, Санкт-Петербург,
Промышленная ул, дом № 19, литера Н,
помещение 100-Н Офис 331