

PNP SILICON SWITCHING TRANSISTOR

Qualified per MIL-PRF-19500/512

DEVICES

2N4029

2N4033

2N4033UA

2N4033UB

LEVELS

JAN

JANTX

JANTXV

JANS

ABSOLUTE MAXIMUM RATINGS ($T_C = +25^\circ\text{C}$ unless otherwise noted)

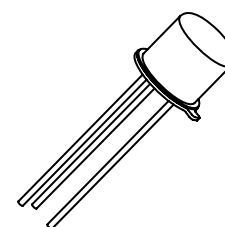
Parameters / Test Conditions	Symbol	Value	Unit	
Collector-Emitter Voltage	V_{CEO}	80	Vdc	
Collector-Base Voltage	V_{CBO}	80	Vdc	
Emitter-Base Voltage	V_{EBO}	5.0	Vdc	
Collector Current	I_C	1.0	A _{dc}	
Total Power Dissipation @ $T_A = +25^\circ\text{C}$	P_T	2N4029 ¹ 2N4033 ² 2N4033UA, UB ³	0.5 0.8 0.5	W
Operating & Storage Junction Temperature Range	T_j, T_{stg}	-65 to +200	$^\circ\text{C}$	
Thermal Resistance, Junction-to-Case	$R_{\theta JC}$	2N4029 2N4033	80 40	$^\circ\text{C/W}$

Note:

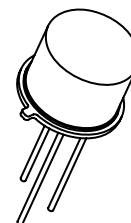
- Derate linearly 2.86mW/ $^\circ\text{C}$ for $T_A > +25^\circ\text{C}$
- Derate linearly 4.56mW/ $^\circ\text{C}$ for $T_A > +25^\circ\text{C}$
- For UB package and use $R_{\theta JC}$ or see thermal curves in /512

ELECTRICAL CHARACTERISTICS ($T_A = +25^\circ\text{C}$, unless otherwise noted)

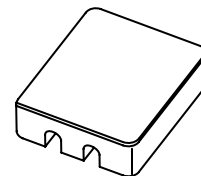
Parameters / Test Conditions	Symbol	Min.	Max.	Unit
OFF CHARACTERISTICS				
Collector-Base Cutoff Current $V_{CB} = 80\text{Vdc}$ $V_{CB} = 60\text{Vdc}$ $V_{CB} = 60\text{Vdc}, T_A = +150^\circ\text{C}$	I_{CBO}		10 10 25	μA_{dc} ηA_{dc} μA_{dc}
Emitter-Base Cutoff Current $V_{EB} = 5.0\text{Vdc}$ $V_{EB} = 3.0\text{Vdc}$	I_{EBO}		10 25	μA_{dc} ηA_{dc}
Collector-Emitter Cutoff Current $V_{BE} = 2.0\text{Vdc}, V_{CE} = 60\text{Vdc}$	I_{CEX}		25	ηA_{dc}



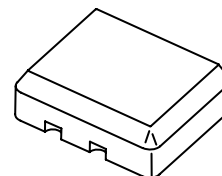
TO-18 (TO-206AA)
2N4029



TO-39 (TO-205AD)
2N4033



UA Package



UB Package

ELECTRICAL CHARACTERISTICS ($T_A = +25^\circ\text{C}$, unless otherwise noted)

Parameters / Test Conditions	Symbol	Min.	Max.	Unit
ON CHARACTERISTICS ⁽³⁾				
Forward-Current Transfer Ratio $I_C = 100\mu\text{A dc}$, $V_{CE} = 5.0\text{V dc}$ $I_C = 100\text{mA dc}$, $V_{CE} = 5.0\text{V dc}$ $I_C = 500\text{mA dc}$, $V_{CE} = 5.0\text{V dc}$ $I_C = 1.0\text{A dc}$, $V_{CE} = 5.0\text{V dc}$ $I_C = 500\text{mA dc}$, $V_{CE} = 5.0\text{V dc}$, $T_A = -55^\circ\text{C}$	h_{FE}	50 100 70 25 30	300	
Collector-Emitter Saturation Voltage $I_C = 150\text{mA dc}$, $I_B = 15\text{mA dc}$ $I_C = 500\text{mA dc}$, $I_B = 50\text{mA dc}$ $I_C = 1.0\text{A dc}$, $I_B = 100\text{mA dc}$	$V_{CE(sat)}$		0.15 0.50 1.0	Vdc
Base-Emitter Voltage $I_C = 150\text{mA dc}$, $I_B = 15\text{mA dc}$ $I_C = 500\text{mA dc}$, $I_B = 50\text{mA dc}$	$V_{BE(sat)}$		0.9 1.2	Vdc

DYNAMIC CHARACTERISTICS

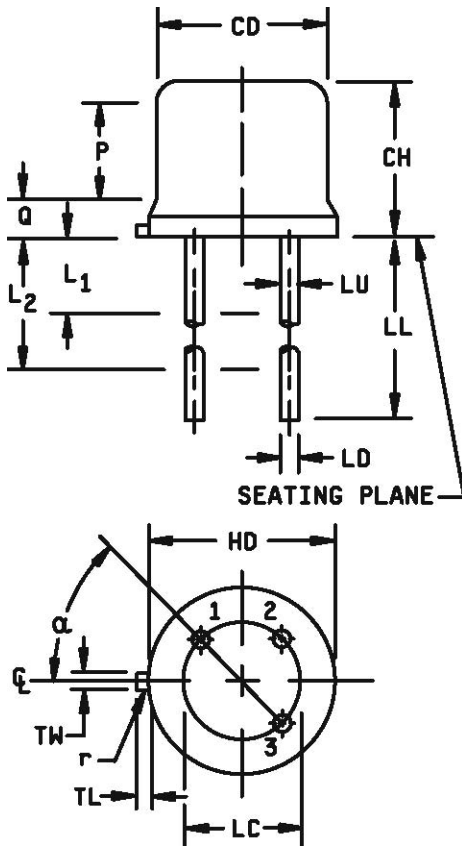
Parameters / Test Conditions	Symbol	Min.	Max.	Unit
Magnitude of Common Emitter Small-Signal Short-Circuit Forward Current Transfer Ratio $I_C = 50\text{mA dc}$, $V_{CE} = 10\text{V dc}$, $f = 100\text{MHz}$	$ h_{fe} $	1.5	6.0	
Output Capacitance $V_{CB} = 10\text{V dc}$, $I_E = 0$, $100\text{kHz} \leq f \leq 1.0\text{MHz}$	C_{obo}		20	pF
Input Capacitance $V_{EB} = 0.5\text{V dc}$, $I_C = 0$, $100\text{kHz} \leq f \leq 1.0\text{MHz}$	C_{ibo}		80	pF

SWITCHING CHARACTERISTICS

Parameters / Test Conditions	Symbol	Min.	Max.	Unit
On-Time $V_{CC} = 31.9\text{V dc}$; $I_C = 500\text{mA dc}$; $I_{B1} = 50\text{mA dc}$	t_d		15	ηs
Rise Time $V_{CC} = 31.9\text{V dc}$; $I_C = 500\text{mA dc}$; $I_{B1} = 50\text{mA dc}$	t_r		25	ηs
Storage Time $V_{CC} = 31.9\text{V}$, $I_C = 500\text{mA dc}$, $I_{B1} = 50\text{mA dc}$	t_s		175	ηs
Fall Time $V_{CC} = 31.9\text{V}$, $I_C = 500\text{mA dc}$, $I_{B1} = 50\text{mA dc}$	t_f		35	ηs

(4) Pulse Test: Pulse Width = 300 μs , Duty Cycle $\leq 2.0\%$.

PACKAGE DIMENSIONS

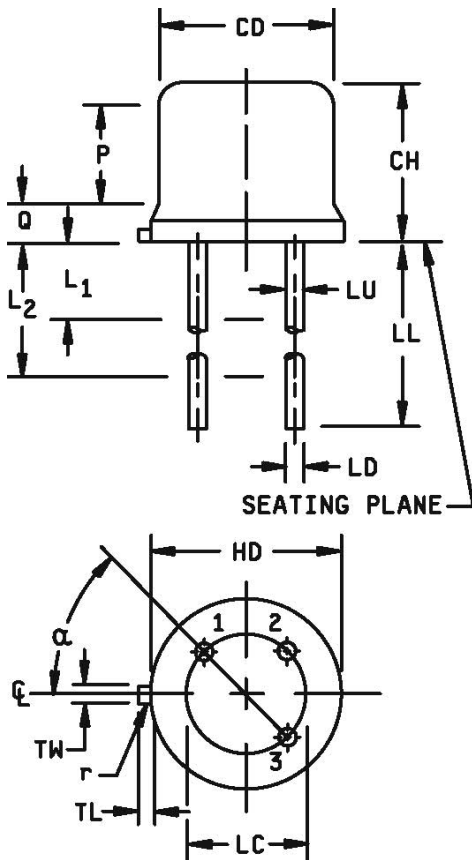


Symbol	Dimensions				Notes
	Inches		Millimeters		
	Min	Max	Min	Max	
CD	.178	.195	4.52	4.95	
CH	.170	.210	4.32	5.34	
HD	.209	.230	5.31	5.84	
LC	.100 TP		2.54 TP		6
LD	.016	.021	0.41	0.53	7, 8
LL	.500	.750	12.70	19.05	7, 8, 12
LU	.016	.019	0.41	0.48	7, 8
L ₁		.050		1.27	7, 8
L ₂	.250		6.35		7, 8
Q		.040		1.02	5
TL	.028	.048	0.71	1.22	3, 4
TW	.036	.046	0.91	1.17	3
r		.010		0.25	10
P	.100		2.54		
α	45° TP				6

NOTES:

- 1 Dimension are in inches.
- 2 Millimeters equivalents are given for general information only.
- 3 Beyond r (radius) maximum, TW shall be held for a minimum length of .011 (0.28 mm).
- 4 Dimension TL measured from maximum HD.
- 5 Body contour optional within zone defined by HD, CD, and Q.
- 6 Leads at gauge plane .054 +.001 -.000 inch (1.37 +0.03 -0.00 mm) below seating plane shall be within .007 inch (0.18mm) radius of true position (TP) at maximum material condition (MMC) relative to tab at MMC. The device may be measured by direct methods.
- 7 Dimension LU applies between L₁ and L₂. Dimension LD applies between L₂ and minimum. Diameter is uncontrolled in L₁ and beyond LL minimum.
- 8 All three leads.
- 9 The collector shall be internally connected to the case.
- 10 Dimension r (radius) applies to both inside corners of tab.
- 11 In accordance with ASME Y14.5M, diameters are equivalent to φx symbology.
- 12 For "L" suffix devices, dimension LL is 1.50 (38.10mm) minimum, 1.75 (44.45mm) maximum.

FIGURE 1. Physical dimensions for 2N4029 (TO-18).

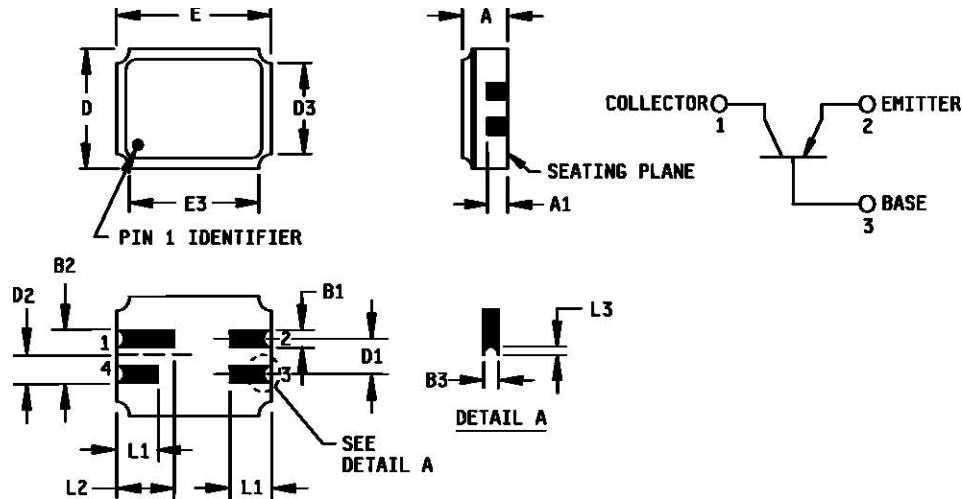


Symbol	Dimensions				Notes
	Inches		Millimeters		
	Min	Max	Min	Max	
CD	.305	.335	7.75	8.51	
CH	.240	.260	6.10	6.60	
HD	.335	.370	8.51	9.40	
LC	.200 TP		5.08 TP		6
LD	.016	.021	0.41	0.53	7, 8
LL	.500	.750	12.70	19.05	7, 8, 12
LU	.016	.019	0.41	0.48	7, 8
L ₁		.050		1.27	7, 8
L ₂	.250		6.35		7, 8
Q		.050		1.27	5
TL	.029	.045	0.74	1.14	3, 4
TW	.028	.034	0.71	0.86	3
r		.010		0.25	10
P	.100		2.54		
α	45° TP				6

NOTES:

- 1 Dimension are in inches.
- 2 Millimeters equivalents are given for general information only.
- 3 Beyond r (radius) maximum, TW shall be held for a minimum length of .011 (0.28 mm).
- 4 Dimension TL measured from maximum HD.
- 5 Body contour optional within zone defined by HD, CD, and Q.
- 6 Leads at gauge plane .054 +.001 -.000 inch (1.37 +0.03 -0.00 mm) below seating plane shall be within .007 inch (0.18mm) radius of true position (TP) at maximum material condition (MMC) relative to tab at MMC. The device may be measured by direct methods.
- 7 Dimension LU applies between L₁ and L₂. Dimension LD applies between L₂ and minimum. Diameter is uncontrolled in L₁ and beyond LL minimum.
- 8 All three leads.
- 9 The collector shall be internally connected to the case.
- 10 Dimension r (radius) applies to both inside corners of tab.
- 11 In accordance with ASME Y14.5M, diameters are equivalent to φx symbology.
- 12 For "L" suffix devices, dimension LL is 1.50 (38.10mm) minimum, 1.75 (44.45mm) maximum.

FIGURE 2. Physical dimensions for 2N4033 (TO-39).

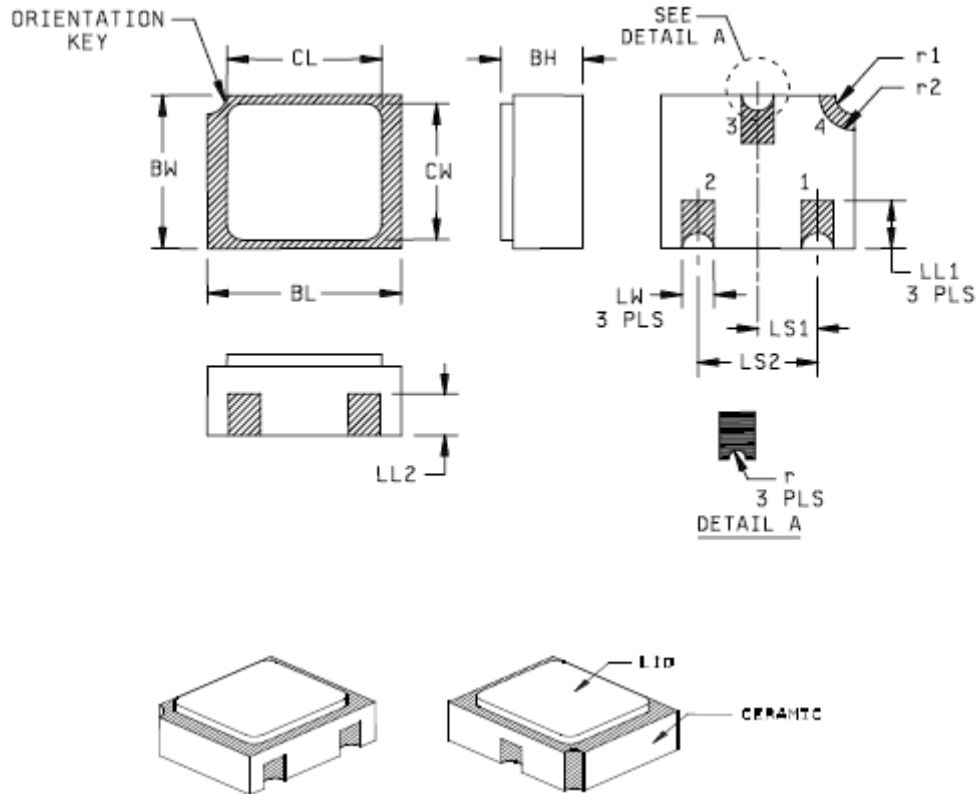


Ltr.	Dimensions				Note	Ltr.	Dimensions				Note
	Inches		Millimeters				Inches		Millimeters		
	Min	Max	Min	Max			Min	Max	Min	Max	
A	.061	.075	1.55	1.91	3	D ₂	.0375 BSC		0.952 BSC		
A ₁	.029	.041	0.74	1.04		D ₃		.155		3.94	
B ₁	.022	.028	0.56	0.71		E	.215	.225	5.46	5.72	
B ₂	.075 REF		1.91 REF			E ₃		.225		5.72	
B ₃	.006	.022	0.15	0.56	5	L ₁	.032	.048	0.81	1.22	
D	.145	.155	3.68	3.93		L ₂	.072	.088	1.83	2.24	
D ₁	.045	.055	1.14	1.39		L ₃	.003	.007	0.08	0.18	5

NOTES:

- 1 Dimensions are in inches.
- 2 Millimeters equivalents are given for general information only.
- 3 Dimension "A" controls the overall package thickness. When a window lid is used, dimension "A" must increase by a minimum of .010 inch (0.254 mm) and a maximum of .040 inch (1.020 mm).
- 4 The corner shape (square, notch, radius, etc) may vary at the manufacturer's option, from that shown on the drawing.
- 5 Dimensions "B3" minimum and "L3" minimum and the appropriately castellation length define an unobstructed three-dimensional space traversing all of the ceramic layers in which a castellation was designed. (Castellations are required on bottom two layers, optional on top ceramic layer.) Dimension "B3" maximum and "L3" maximum define the maximum width and depth of the castellation at any point on its surface. Measurement of these dimensions may be made prior to solder dipping.
- 6 In accordance with ASME Y14.5M, diameters are equivalent to ϕ x symbology.

FIGURE 3. Physical dimensions, surface mount (UA version).



Symbol	Dimensions				Note
	Inches		Millimeters		
	Min	Max	Min	Max	
BH	.046	.056	1.17	1.42	
BL	.115	.128	2.92	3.25	
BW	.085	.108	2.16	2.74	
CL		.128		3.25	
CW		.108		2.74	
LL1	.022	.038	0.56	0.96	
LL2	.017	.035	0.43	0.89	

Symbol	Dimensions				Note
	Inches		Millimeters		
	Min	Max	Min	Max	
LS1	.036	.040	0.91	1.02	
LS2	.071	.079	1.81	2.01	
LW	.016	.024	0.41	0.61	
r		.008		.203	
r1		.012		.305	
r2		.022		.559	

NOTES:

- 1 Dimensions are in inches.
- 2 Millimeters are given for general information only.
- 3 Hatched areas on package denote metalized areas.
- 4 Pad 1 = Base, Pad 2 = Emitter, Pad 3 = Collector, Pad 4 = Shielding connected to the lid.
- 5 In accordance with ASME Y14.5M, diameters are equivalent to ϕx symbology.

FIGURE 4. Physical dimensions, surface mount (UB version).



Стандарт Электрон Связь

Мы молодая и активно развивающаяся компания в области поставок электронных компонентов. Мы поставляем электронные компоненты отечественного и импортного производства напрямую от производителей и с крупнейших складов мира.

Благодаря сотрудничеству с мировыми поставщиками мы осуществляем комплексные и плановые поставки широчайшего спектра электронных компонентов.

Собственная эффективная логистика и склад в обеспечивает надежную поставку продукции в точно указанные сроки по всей России.

Мы осуществляем техническую поддержку нашим клиентам и предпродажную проверку качества продукции. На все поставляемые продукты мы предоставляем гарантию .

Осуществляем поставки продукции под контролем ВП МО РФ на предприятия военно-промышленного комплекса России , а также работаем в рамках 275 ФЗ с открытием отдельных счетов в уполномоченном банке. Система менеджмента качества компании соответствует требованиям ГОСТ ISO 9001.

Минимальные сроки поставки, гибкие цены, неограниченный ассортимент и индивидуальный подход к клиентам являются основой для выстраивания долгосрочного и эффективного сотрудничества с предприятиями радиоэлектронной промышленности, предприятиями ВПК и научно-исследовательскими институтами России.

С нами вы становитесь еще успешнее!

Наши контакты:

Телефон: +7 812 627 14 35

Электронная почта: sales@st-electron.ru

Адрес: 198099, Санкт-Петербург,
Промышленная ул, дом № 19, литера Н,
помещение 100-Н Офис 331