

T-3-1/4 & T5 Miniature Wedge Base

23 SERIES

- MINIATURE WEDGE BASE NON-GROUNDED OR GROUNDED LAMPHOLDERS
- BLACK NYLON HOUSING (UNLESS OTHERWISE NOTED)
- 6" WIRE LEADS, PRINTED CIRCUIT BOARD OR SOLDER LUG TERMINALS
- MAXIMUM RATINGS: 20 WATTS, 28 VOLTS
- UL RECOGNIZED • UL FILE E20356

Overview

The 23 Series lampholders are designed for automotive and appliance applications. Most lampholders can be supplied as either non-grounded or grounded units with printed circuit board or solder lug terminals or 6" wire leads. Many bracket and mounting options are available including plug buttons for 5/8" mounting holes and a 5/8" twist and lock socket. Lampholders are designed for use in low voltage applications with T-5 & T-3 1/4 wedge base lamps.

Specifications

Housing: black nylon, unless otherwise specified. white housing also available.

Contacts: brass.

Terminals:

Solder lug: electro tinned brass, 0.110" length x 0.010" thick, with one wire hole 3/32"x1/16" in diameter. Non-grounded units are supplied with two terminals. Grounded units are supplied with one terminal.

Printed circuit board terminals: brass.

Wire Leads: 6" Leads: #22 AWG, black, stranded tinned copper, PVC insulated, UL/CSA rated 105°C, stripped 1/2". Non-grounded units are supplied with two 6" wire leads. Grounded units are supplied with one 6" wire lead. Custom wire lengths, stripping, termination and wire types are also available.

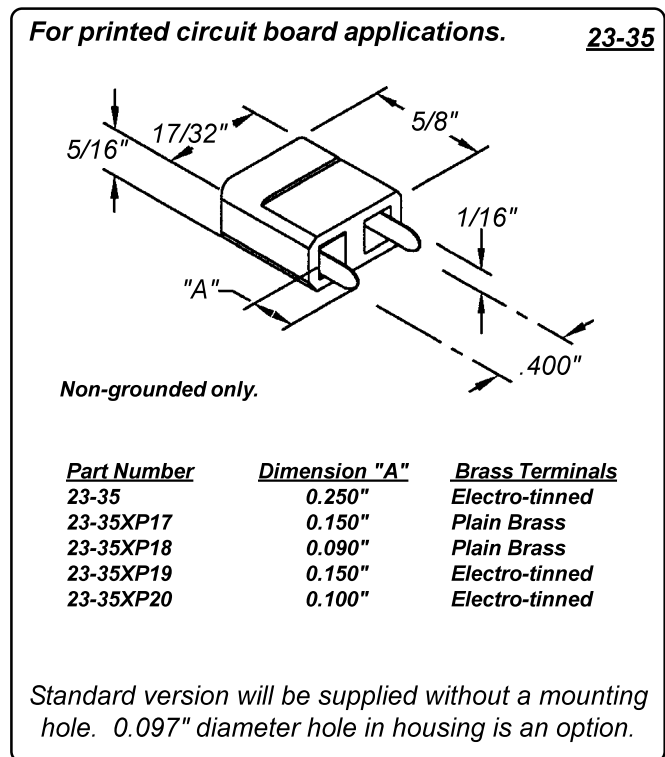
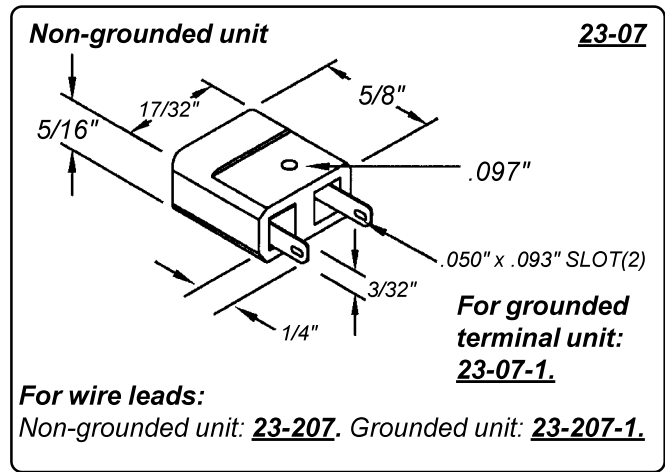
Mounting:

Brackets: 0.025" to 0.032" zinc plated steel.

Plug buttons: for 5/8" mounting hole, nylon or zinc plated steel.

Twist & Lock: for 5/8" mounting hole.

Maximum rating: 20 Watts, 28 Volts.

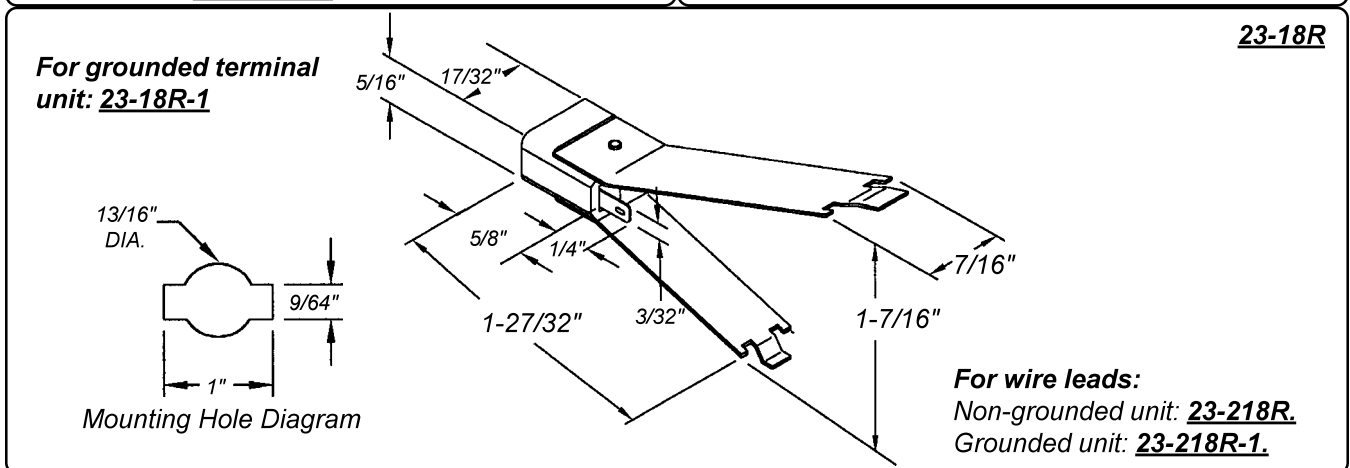
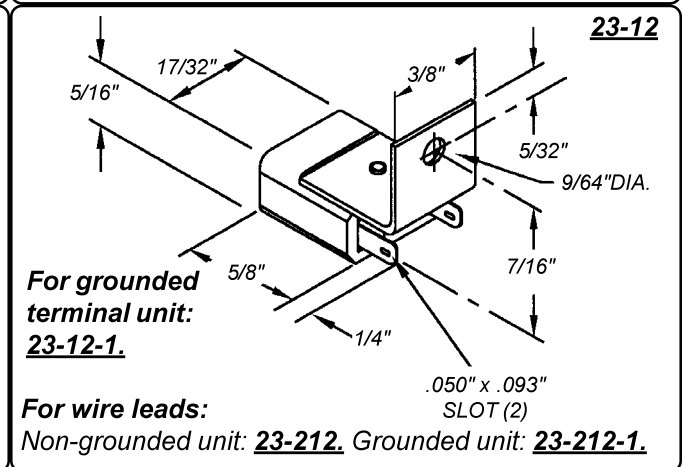
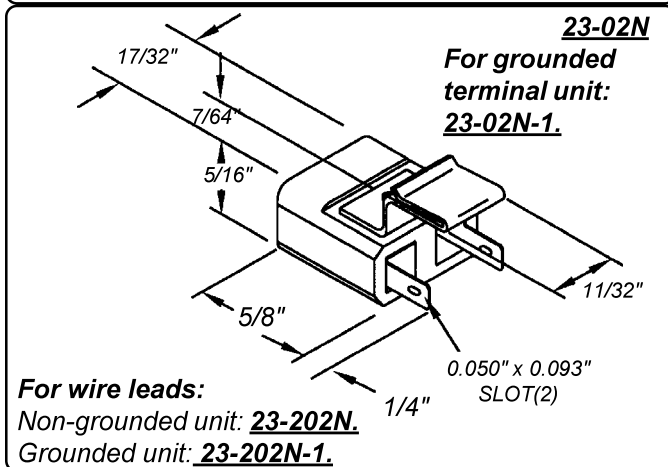
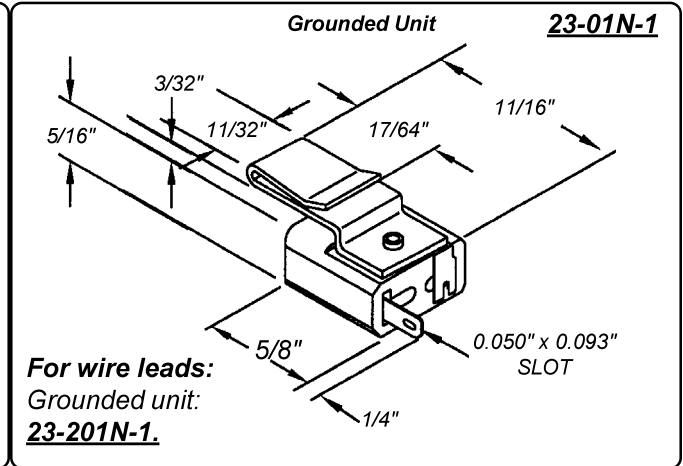
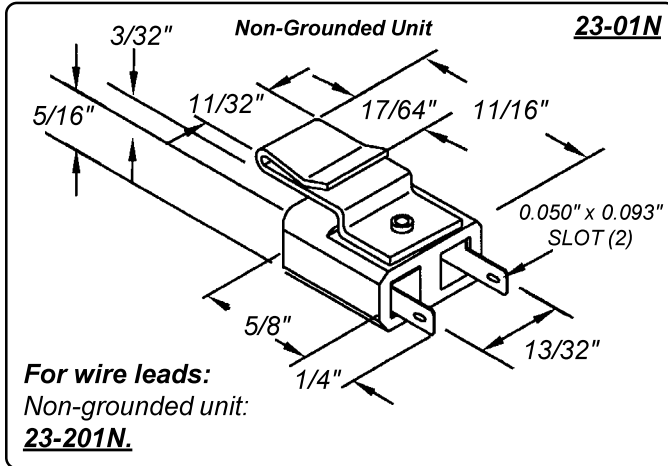


T-3-1/4 & T5 Miniature Wedge Base

23 SERIES • UL Recognized
 Maximum Rating: 20 Watts, 28 Volts
 Non-Grounded or Grounded

Black Nylon* Housing
Solder Lug Terminals, 6" Wire Leads
or Printed Circuit Board Terminals

* Nylon Housing unless otherwise noted.



T-3-1/4 & T5 Miniature Wedge Base

23 SERIES • UL Recognized
 Maximum Rating: 20 Watts, 28 Volts
 Non-Grounded or Grounded

Black Nylon* Housing
Solder Lug Terminals, 6" Wire Leads
or Printed Circuit Board Terminals

* Nylon Housing unless otherwise noted.

For grounded terminal unit: 23-24-1. **23-24**

For wire leads:
 Non-grounded unit: 23-224. Grounded unit: 23-224-1.

Non-grounded only. **23-33TLPC**

Designed for rear mounting on a printed circuit board.

Mounting Hole Diagram

Non-grounded only. **23-35H**

Designed for mounting on a printed circuit board.

Mounting Hole Diagram

For grounded terminal unit: 23-72N-1 **23-72N**

For wire leads:
 Non-grounded unit: 23-272N.
 Grounded unit: 23-272N-1.

For grounded terminal unit: 23-74-1. **23-74**

For wire leads:
 Non-grounded unit: 23-274. Grounded unit: 23-274-1.

For grounded terminal unit: 23-77R-1. **23-77R**

For wire leads:
 Non-grounded unit: 23-277R.
 Grounded unit: 23-277R-1.

T-3-1/4 & T5 Miniature Wedge Base

23 SERIES • UL Recognized
 Maximum Rating: 20 Watts, 28 Volts
 Non-Grounded or Grounded

Black Nylon* Housing
Solder Lug Terminals, 6" Wire Leads
or Printed Circuit Board Terminals

* Nylon Housing unless otherwise noted.

Non-grounded only.

23-METRI-PACK

23-METRI-PACK MOUNTING HOLE

Recommended panel thickness range: 0.068" to 0.075".

Note:
 Packard Mating Piece Not Supplied
 Packard Mating Part Numbers:
 Housing 1205-9253
 Terminals 1204-7883

Non-grounded only.

23-207SL

Mounting Hole Diagram

Non-grounded only.

23-140PL

Plug button for 5/8" mounting hole
 Panel thickness: 1/32" to 3/32".

For solder lug terminals: 23-140PL-T.

TWIST & LOCK MOUNTING 23-233TL

Non-grounded only.

Mounting Hole Diagram

For solder lug terminals: 23-33TL.

Panel thickness range: 1/32" to 3/64"

23-240-1

For non-grounded wire lead unit: 23-240.

For solder lug terminals:
 Non-grounded unit: **23-40.**
 Grounded unit: **23-40-1.**

Plug button: zinc plated steel
 Mounting hole: 5/8" Panel thickness: 1/16" to 3/32"

T-3-1/4 & T5 Miniature Wedge Base

23 SERIES • UL Recognized
 Maximum Rating: 20 Watts, 28 Volts
 Non-Grounded or Grounded

Black Nylon* Housing
Solder Lug Terminals, 6" Wire Leads
or Printed Circuit Board Terminals

* Nylon Housing unless otherwise noted.

For solder lug terminals:
23-40PL
 Non-grounded only.

Plug button for 5/8" mounting hole.
 Panel thickness: 1/32" to 3/32"

23-240PL

Non-grounded only.

For solder lug terminals:
23-340PL-T

Housing material: Ultem®
 Plug button for 5/8" mounting hole.
 Panel thickness range: 1/32" to 5/64"

23-340PL

Designed for snap-in mounting with a mechanical locking feature for greater panel assurance.

Mounting Hole Diagram

Panel Thickness: 1/32" to 3/32"

For solder lug terminals: **23-440PL-T** Non-grounded only. **23-440PL**

Housing material: polyester
 Mounting hole: 5/8"
 Panel thickness: 1/32" to 5/64"

Non-grounded only.

For solder lug terminals: **23-540PL-T** **23-540PL**

Mounting hole: 5/8".
 Panel thickness: 1/32" to 5/64".
 Non-grounded only.

Wire not supplied.
 Designed for 18 AWG wire.

23-540PLC

T-3-1/4 & T5 Miniature Wedge Base

23 SERIES • UL Recognized
 Maximum Rating: 20 Watts, 28 Volts
 Non-Grounded or Grounded

Black Nylon* Housing
Solder Lug Terminals, 6" Wire Leads
or Printed Circuit Board Terminals

* Nylon Housing unless otherwise noted.

Housing material: polyester
Mounting hole: 5/8"
Panel thickness: 1/16" to 9/64"

23-640PL

Non-grounded only.

Designed for firm, snap fit into thicker panels.

For solder lug terminals: 23-640PL-T.

Non-grounded only.

23-740SL

This design can snap together when used with T-3-1/4 bulbs.

Mounting hole diagram

For solder lug terminals: 23-740RPL-T.

23-740RPL
Non-grounded only.

Mounting hole diagram

Recommended panel thickness range: .080"

23-07RT

The standard unit, featured here, is supplied with two 0.110" tab terminals at 90° angles which mate with 0.110" width x .020" thick female quick connect terminals.

This unit is available non-grounded or grounded with any 23 Series bracket. Unit may also be supplied grounded with one solder terminal.

Designed for right angle circuit board applications:

23-35RA
Non-grounded only.

Mounting:
 3/32" diameter mounting holes with 7/32" spacing.

T-3-1/4 & T5 Miniature Wedge Base

23 SERIES • UL Recognized
 Maximum Rating: 20 Watts, 28 Volts
 Non-Grounded or Grounded

Black Nylon* Housing
Solder Lug Terminals, 6" Wire Leads
or Printed Circuit Board Terminals

* Nylon Housing unless otherwise noted.

23-275

For grounded wire lead unit: 23-275-1.

For solder lug terminals:
 Non-grounded unit: 23-75. Grounded unit: 23-75-1.

23-275N

For grounded wire lead unit: 23-275N-1.

For solder lug terminals:
 Non-grounded unit: 23-75N. Grounded unit: 23-75N-1.

23-280

For grounded wire lead unit: 23-280-1.

For solder lug terminals:
 Non-grounded unit: 23-80.
 Grounded unit: 23-80-1.

Clip Bracket

23-APVPCRPC

For printed circuit board applications.

Non-grounded only.
 Housing is polyester.
 Reflector is vacuum metalized Ultem®.
 Housing assembly is available separately.

Printed Circuit Board Mounting Hole Diagram

23-260

For grounded wire lead unit: 23-260-1.

For solder lug terminals:
 Non-grounded unit: 23-60.
 Grounded unit: 23-60-1.

23-212D-4

Shown as grounded unit.

3/16" DIA. 2 PLACES

T-3-1/4 & T5 Miniature Wedge Base

23 SERIES • UL Recognized
Maximum Rating: 20 Watts, 28 Volts
Non-Grounded or Grounded

Black Nylon* Housing
Solder Lug Terminals, 6" Wire Leads
or Printed Circuit Board Terminals

* Nylon Housing unless otherwise noted.

Plastic lens & reflector can be supplied with a T-5 lamp already inside or without lamp.

PLR36-1700W is supplied without a lamp.

Contact customer service with your lamp requirements.

4-7/16" O.D.

PLR36-1700W
Non-grounded only.

Snap-Action Lens and Snap-In Socket design facilitate lamp installation.

Reflector is vacuum metalized high impact Styrene®.

23-RECPARXP11
Non-grounded only.

4-1/2"

2-7/32"

Reflector is vacuum metalized steel.

23-PAR36-W
Non-grounded only.

1-15/32"

4-7/16" O.D.

Reflector is vacuum metalized steel.

23-PAR22-W
Non-grounded only.

2-9/64"

2-3/4" O.D.

Reflector is vacuum metalized aluminum.

For solder lug terminals: 23-PAR22-T.

23-PAR18-W
Non-grounded only.

1-31/32"

2-13/32" O.D.

Reflector is vacuum metalized steel. May also be supplied without lip.

For solder lug terminals: 23-PAR18-T.



Стандарт Электрон Связь

Мы молодая и активно развивающаяся компания в области поставок электронных компонентов. Мы поставляем электронные компоненты отечественного и импортного производства напрямую от производителей и с крупнейших складов мира.

Благодаря сотрудничеству с мировыми поставщиками мы осуществляем комплексные и плановые поставки широчайшего спектра электронных компонентов.

Собственная эффективная логистика и склад в обеспечивает надежную поставку продукции в точно указанные сроки по всей России.

Мы осуществляем техническую поддержку нашим клиентам и предпродажную проверку качества продукции. На все поставляемые продукты мы предоставляем гарантию .

Осуществляем поставки продукции под контролем ВП МО РФ на предприятия военно-промышленного комплекса России , а также работаем в рамках 275 ФЗ с открытием отдельных счетов в уполномоченном банке. Система менеджмента качества компании соответствует требованиям ГОСТ ISO 9001.

Минимальные сроки поставки, гибкие цены, неограниченный ассортимент и индивидуальный подход к клиентам являются основой для выстраивания долгосрочного и эффективного сотрудничества с предприятиями радиоэлектронной промышленности, предприятиями ВПК и научно-исследовательскими институтами России.

С нами вы становитесь еще успешнее!

Наши контакты:

Телефон: +7 812 627 14 35

Электронная почта: sales@st-electron.ru

Адрес: 198099, Санкт-Петербург,
Промышленная ул, дом № 19, литера Н,
помещение 100-Н Офис 331