

DATA SHEET

74LV74

Dual D-type flip-flop with set and reset;
positive-edge trigger

Product specification
Supersedes data of 1996 Nov 07
IC24 Data Handbook

1998 Apr 20

Dual D-type flip-flop with set and reset; positive edge-trigger

74LV74

FEATURES

- Wide operating voltage: 1.0 to 5.5V
- Optimized for Low Voltage applications: 1.0 to 3.6V
- Accepts TTL input levels between $V_{CC} = 2.7V$ and $V_{CC} = 3.6V$
- Typical V_{OLP} (output ground bounce) $< 0.8V$ @ $V_{CC} = 3.3V$, $T_{amb} = 25^{\circ}C$
- Typical V_{OHV} (output V_{OH} undershoot) $> 2V$ @ $V_{CC} = 3.3V$, $T_{amb} = 25^{\circ}C$
- Output capability: standard
- I_{CC} category: flip-flops

QUICK REFERENCE DATA

$GND = 0V$; $T_{amb} = 25^{\circ}C$; $t_r = t_f \leq 2.5$ ns

| SYMBOL | PARAMETER | CONDITIONS | TYPICAL | UNIT |
|-------------------|---|---------------------------------|----------------|------|
| t_{PHL}/t_{PLH} | Propagation delay nCP to nQ, n \bar{Q} n \bar{S}_D to nQ, n \bar{Q} n \bar{R}_D to nQ, n \bar{Q} | $C_L = 15pF$ $V_{CC} = 3.3V$ | 11 14 14 | ns |
| f_{max} | Maximum clock frequency | $C_L = 15pF$ $V_{CC} = 3.3V$ | 76 | MHz |
| C_I | Input capacitance | | 3.5 | pF |
| C_{PD} | Power dissipation capacitance per flip-flop | Notes 1 and 2 | 24 | pF |

NOTES:

1. C_{PD} is used to determine the dynamic power dissipation (P_D in μW)
 $P_D = C_{PD} \times V_{CC}^2 \times f_i + \sum (C_L \times V_{CC}^2 \times f_o)$ where:
 f_i = input frequency in MHz; C_L = output load capacitance in pF;
 f_o = output frequency in MHz; V_{CC} = supply voltage in V;
 $\sum (C_L \times V_{CC}^2 \times f_o)$ = sum of the outputs.
2. The condition is $V_I = GND$ to V_{CC}

ORDERING INFORMATION

| PACKAGES | TEMPERATURE RANGE | OUTSIDE NORTH AMERICA | NORTH AMERICA | PKG. DWG. # |
|-----------------------------|-------------------|-----------------------|---------------|-------------|
| 14-Pin Plastic DIL | -40°C to +125°C | 74LV74 N | 74LV74 N | SOT27-1 |
| 14-Pin Plastic SO | -40°C to +125°C | 74LV74 D | 74LV74 D | SOT108-1 |
| 14-Pin Plastic SSOP Type II | -40°C to +125°C | 74LV74 DB | 74LV74 DB | SOT337-1 |
| 14-Pin Plastic TSSOP Type I | -40°C to +125°C | 74LV74 PW | 74LV74PW DH | SOT402-1 |

PIN DESCRIPTION

| PIN NUMBER | SYMBOL | FUNCTION |
|------------|--------------------------|--|
| 1, 13 | $1\bar{R}_D, 2\bar{R}_D$ | Asynchronous reset-direct input (active-LOW) |
| 2, 12 | 1D, 2D | Data inputs |
| 3, 11 | 1CP, 2CP | Clock input (LOW-to-HIGH), edge-triggered) |
| 4, 10 | $1\bar{S}_D, 2\bar{S}_D$ | Asynchronous set-direct input (active-LOW) |
| 5, 9 | 1Q, 2Q | True flip-flop outputs |
| 6, 8 | $1\bar{Q}, 2\bar{Q}$ | Complement flip-flop outputs |
| 7 | GND | Ground (0V) |
| 14 | V_{CC} | Positive supply voltage |

DESCRIPTION

The 74LV74 is a low-voltage Si-gate CMOS device and is pin and function compatible with 74HC/HCT74.

The 74LV74 is a dual positive edge triggered, D-type flip-flop with individual data (D) inputs, clock (CP) inputs, set (\bar{S}_D) and (\bar{R}_D) inputs; also complementary Q and \bar{Q} outputs.

The set and reset are asynchronous active LOW inputs and operate independently of the clock input. Information on the data input is transferred to the Q output on the LOW-to-HIGH transition of the clock pulse. The D inputs must be stable one set-up time prior to the LOW-to-HIGH clock transition, for predictable operation.

Schmitt-trigger action in the clock input makes the circuit highly tolerant to slower clock rise and fall times.

FUNCTION TABLE

| INPUTS | | | | OUTPUTS | |
|-------------|-------------|----|---|---------|-----------|
| \bar{S}_D | \bar{R}_D | CP | D | Q | \bar{Q} |
| L | H | X | X | H | L |
| H | L | X | X | L | H |
| L | L | X | X | H | H |

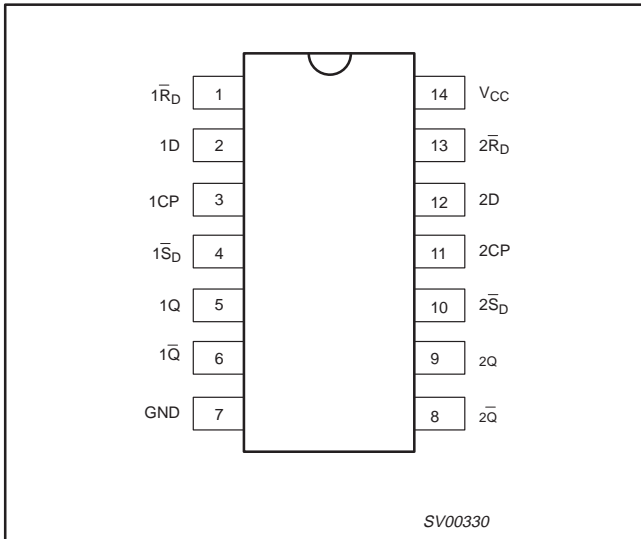
| INPUTS | | | | OUTPUTS | |
|-------------|-------------|----|---|-----------|-----------------|
| \bar{S}_D | \bar{R}_D | CP | D | Q_{n+1} | \bar{Q}_{n+1} |
| H | H | ↑ | L | L | H |
| H | H | ↑ | H | H | L |

H = HIGH voltage level
 L = LOW voltage level
 X = don't care
 ↑ = LOW-to-HIGH CP transition
 Q_{n+1} = state after the next LOW-to-HIGH CP transition

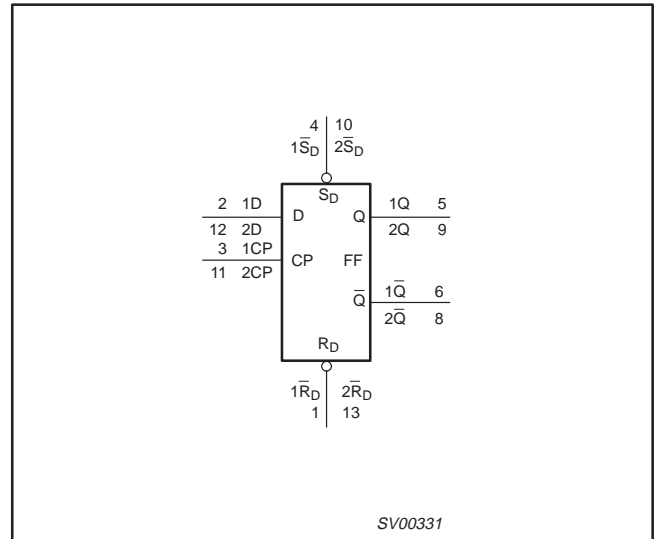
Dual D-type flip-flop with set and reset; positive edge-trigger

74LV74

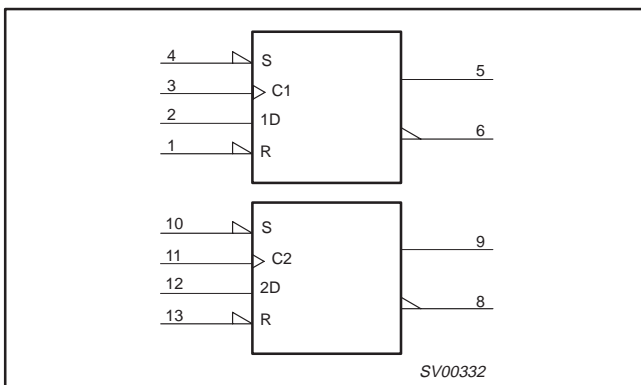
PIN CONFIGURATION



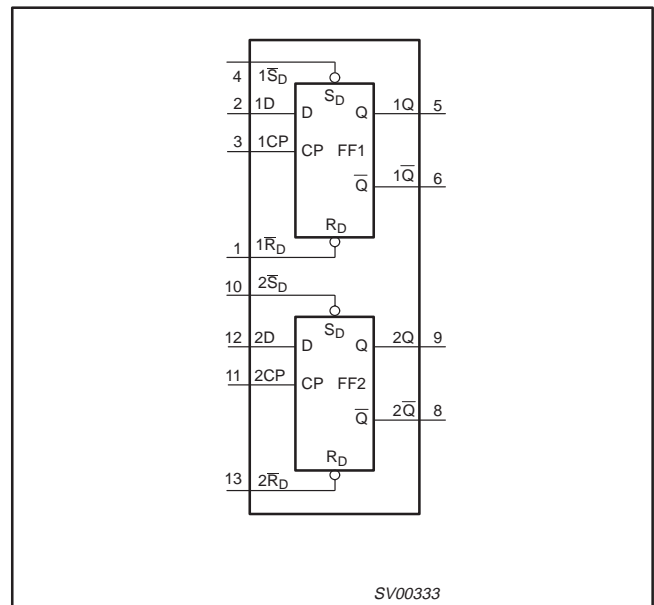
LOGIC SYMBOL



LOGIC SYMBOL (IEEE/IEC)



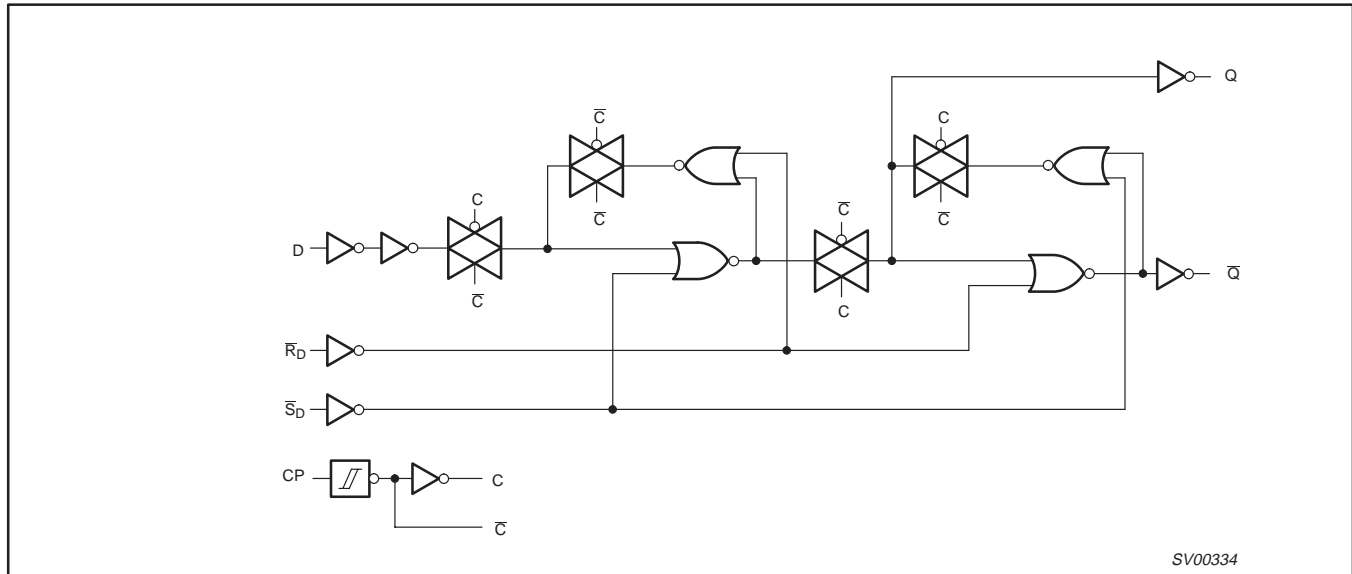
FUNCTIONAL DIAGRAM



Dual D-type flip-flop with set and reset; positive edge-trigger

74LV74

LOGIC DIAGRAM (ONE FLIP-FLOP)



RECOMMENDED OPERATING CONDITIONS

| SYMBOL | PARAMETER | CONDITIONS | MIN | TYP. | MAX | UNIT |
|------------|---|--|------------------|------------------|-------------------------|------|
| V_{CC} | DC supply voltage | See Note1 | 1.0 | 3.3 | 5.5 | V |
| V_I | Input voltage | | 0 | – | V_{CC} | V |
| V_O | Output voltage | | 0 | – | V_{CC} | V |
| T_{amb} | Operating ambient temperature range in free air | See DC and AC characteristics | –40 –40 | | +85 +125 | °C |
| t_r, t_f | Input rise and fall times except for Schmitt-trigger inputs | $V_{CC} = 1.0V$ to $2.0V$ $V_{CC} = 2.0V$ to $2.7V$ $V_{CC} = 2.7V$ to $3.6V$ $V_{CC} = 3.6V$ to $5.5V$ | – – – – | – – – – | 500 200 100 50 | ns/V |

NOTE:

1. The LV is guaranteed to function down to $V_{CC} = 1.0V$ (input levels GND or V_{CC}); DC characteristics are guaranteed from $V_{CC} = 1.2V$ to $V_{CC} = 5.5V$.

ABSOLUTE MAXIMUM RATINGS^{1, 2}

In accordance with the Absolute Maximum Rating System (IEC 134)
Voltages are referenced to GND (ground = 0V)

| SYMBOL | PARAMETER | CONDITIONS | RATING | UNIT |
|---------------------------|--|---|-------------------|------|
| V_{CC} | DC supply voltage | | –0.5 to +7.0 | V |
| $\pm I_{IK}$ | DC input diode current | $V_I < -0.5$ or $V_I > V_{CC} + 0.5V$ | 20 | mA |
| $\pm I_{OK}$ | DC output diode current | $V_O < -0.5$ or $V_O > V_{CC} + 0.5V$ | 50 | mA |
| $\pm I_O$ | DC output source or sink current – standard outputs | $-0.5V < V_O < V_{CC} + 0.5V$ | 25 | mA |
| $\pm I_{GND}, \pm I_{CC}$ | DC V_{CC} or GND current for types with –standard outputs | | 50 | mA |
| T_{stg} | Storage temperature range | | –65 to +150 | °C |
| P_{tot} | Power dissipation per package –plastic DIL –plastic mini-pack (SO) –plastic shrink mini-pack (SSOP and TSSOP) | for temperature range: –40 to +125°C above +70°C derate linearly with 12mW/K above +70°C derate linearly with 8 mW/K above +60°C derate linearly with 5.5 mW/K | 750 500 400 | mW |

NOTES:

- Stresses beyond those listed may cause permanent damage to the device. These are stress ratings only and functional operation of the device at these or any other conditions beyond those indicated under “recommended operating conditions” is not implied. Exposure to absolute-maximum-rated conditions for extended periods may affect device reliability.
- The input and output voltage ratings may be exceeded if the input and output current ratings are observed.

Dual D-type flip-flop with set and reset; positive edge-trigger

74LV74

DC CHARACTERISTICS

Over recommended operating conditions voltages are referenced to GND (ground = 0V)

| SYMBOL | PARAMETER | TEST CONDITIONS | LIMITS | | | | | UNIT |
|------------------|---|---|---------------------|------------------|---------------------|---------------------|---------------------|------|
| | | | -40°C to +85°C | | | -40°C to +125°C | | |
| | | | MIN | TYP ¹ | MAX | MIN | MAX | |
| V _{IH} | HIGH level Input voltage | V _{CC} = 1.2V | 0.9 | | | 0.9 | | V |
| | | V _{CC} = 2.0V | 1.4 | | | 1.4 | | |
| | | V _{CC} = 2.7 to 3.6V | 2.0 | | | 2.0 | | |
| | | V _{CC} = 4.5 to 5.5V | 0.7*V _{CC} | | | 0.7*V _{CC} | | |
| V _{IL} | LOW level Input voltage | V _{CC} = 1.2V | | | 0.3 | | 0.3 | V |
| | | V _{CC} = 2.0V | | | 0.6 | | 0.6 | |
| | | V _{CC} = 2.7 to 3.6V | | | 0.8 | | 0.8 | |
| | | V _{CC} = 4.5 to 5.5 | | | 0.3*V _{CC} | | 0.3*V _{CC} | |
| V _{OH} | HIGH level output voltage; all outputs | V _{CC} = 1.2V; V _I = V _{IH} or V _{IL} ; -I _O = 100µA | | 1.2 | | | | V |
| | | V _{CC} = 2.0V; V _I = V _{IH} or V _{IL} ; -I _O = 100µA | 1.8 | 2.0 | | 1.8 | | |
| | | V _{CC} = 2.7V; V _I = V _{IH} or V _{IL} ; -I _O = 100µA | 2.5 | 2.7 | | 2.5 | | |
| | | V _{CC} = 3.0V; V _I = V _{IH} or V _{IL} ; -I _O = 100µA | 2.8 | 3.0 | | 2.8 | | |
| | | V _{CC} = 4.5V; V _I = V _{IH} or V _{IL} ; -I _O = 100µA | 4.3 | 4.5 | | 4.3 | | |
| V _{OH} | HIGH level output voltage; STANDARD outputs | V _{CC} = 3.0V; V _I = V _{IH} or V _{IL} ; -I _O = 6mA | 2.40 | 2.82 | | 2.20 | | V |
| | | V _{CC} = 4.5V; V _I = V _{IH} or V _{IL} ; -I _O = 12mA | 3.60 | 4.20 | | 3.50 | | |
| V _{OL} | LOW level output voltage; all outputs | V _{CC} = 1.2V; V _I = V _{IH} or V _{IL} ; I _O = 100µA | | 0 | | | | V |
| | | V _{CC} = 2.0V; V _I = V _{IH} or V _{IL} ; I _O = 100µA | | 0 | 0.2 | | 0.2 | |
| | | V _{CC} = 2.7V; V _I = V _{IH} or V _{IL} ; I _O = 100µA | | 0 | 0.2 | | 0.2 | |
| | | V _{CC} = 3.0V; V _I = V _{IH} or V _{IL} ; I _O = 100µA | | 0 | 0.2 | | 0.2 | |
| | | V _{CC} = 4.5V; V _I = V _{IH} or V _{IL} ; I _O = 100µA | | 0 | 0.2 | | 0.2 | |
| V _{OL} | LOW level output voltage; STANDARD outputs | V _{CC} = 3.0V; V _I = V _{IH} or V _{IL} ; I _O = 6mA | | 0.25 | 0.40 | | 0.50 | V |
| | | V _{CC} = 4.5V; V _I = V _{IH} or V _{IL} ; I _O = 12mA | | 0.35 | 0.55 | | 0.65 | |
| I _I | Input leakage current | V _{CC} = 5.5V; V _I = V _{CC} or GND | | | 1.0 | | 1.0 | µA |
| I _{CC} | Quiescent supply current; flip-flops | V _{CC} = 5.5V; V _I = V _{CC} or GND; I _O = 0 | | | 20.0 | | 80 | µA |
| ΔI _{CC} | Additional quiescent supply current per input | V _{CC} = 2.7V to 3.6V; V _I = V _{CC} - 0.6V | | | 500 | | 850 | µA |

NOTE:

1. All typical values are measured at T_{amb} = 25°C.

Dual D-type flip-flop with set and reset; positive edge-trigger

74LV74

AC CHARACTERISTICS

GND = 0V; $t_r = t_f \leq 2.5\text{ns}$; $C_L = 50\text{pF}$; $R_L = 1\text{K}\Omega$

| SYMBOL | PARAMETER | WAVEFORM | CONDITION | LIMITS -40 to +85 °C | | | LIMITS -40 to +125 °C | | UNIT |
|---------------------------------|------------------------------------|---------------|------------|-------------------------|------------------|------------------|--------------------------|-----|------|
| | | | | V _{CC} (V) | MIN | TYP ¹ | MAX | MIN | |
| $t_{\text{PHL}}/t_{\text{PLH}}$ | Propagation delay nCP to nQ, nQ | Figures, 1, 3 | 1.2 | - | 70 | - | - | - | ns |
| | | | 2.0 | - | 24 | 44 | - | 56 | |
| | | | 2.7 | - | 18 | 28 | - | 41 | |
| | | | 3.0 to 3.6 | - | 13 ² | 26 | - | 33 | |
| | | | 4.5 to 5.5 | - | 9.5 ³ | 17 | - | 23 | |
| $t_{\text{PHL}}/t_{\text{PLH}}$ | Propagation delay nSD to nQ, nQ | Figures 2, 3 | 1.2 | - | 90 | - | - | - | ns |
| | | | 2.0 | - | 31 | 46 | - | 58 | |
| | | | 2.7 | - | 23 | 34 | - | 43 | |
| | | | 3.0 to 3.6 | - | 17 ² | 27 | - | 34 | |
| | | | 4.5 to 5.5 | - | 12 ³ | 19 | - | 24 | |
| $t_{\text{PHL}}/t_{\text{PLH}}$ | Propagation delay nRD to nQ, nQ | Figures 2, 3 | 1.2 | - | 90 | - | - | - | ns |
| | | | 2.0 | - | 31 | 46 | - | 58 | |
| | | | 2.7 | - | 23 | 34 | - | 43 | |
| | | | 3.0 to 3.6 | - | 17 ² | 27 | - | 34 | |
| | | | 4.5 to 5.5 | - | 12 ³ | 19 | - | 24 | |
| t_w | Clock pulse width HIGH to LOW | Figure 1 | 2.0 | 34 | 10 | - | 41 | - | ns |
| | | | 2.7 | 25 | 8 | - | 30 | - | |
| | | | 3.0 to 3.6 | 20 | 7 ² | - | 24 | - | |
| | | | 4.5 to 5.5 | 15 | 6 ³ | - | 18 | - | |
| t_w | Set or reset pulse width LOW | Figure 2 | 2.0 | 34 | 10 | - | 41 | - | ns |
| | | | 2.7 | 25 | 8 | - | 30 | - | |
| | | | 3.0 to 3.6 | 20 | 7 ² | - | 24 | - | |
| | | | 4.5 to 5.5 | 15 | 6 ³ | - | 18 | - | |
| t_{rem} | Removal time set or reset | Figure 2 | 1.2 | - | 5 | - | - | - | ns |
| | | | 2.0 | 14 | 2 | - | 15 | - | |
| | | | 2.7 | 10 | 1 | - | 11 | - | |
| | | | 3.0 to 3.6 | 8 | 1 ² | - | 9 | - | |
| | | | 4.5 to 5.5 | 6 | 1 ³ | - | 7 | - | |
| t_{su} | Set-up time nD to nCP | Figure 1 | 1.2 | - | 10 | - | - | - | ns |
| | | | 2.0 | 22 | 4 | - | 26 | - | |
| | | | 2.7 | 12 | 3 | - | 15 | - | |
| | | | 3.0 to 3.6 | 8 | 2 ² | - | 10 | - | |
| | | | 4.5 to 5.5 | 6 | 1 ² | - | 8 | - | |
| t_h | Hold time nD to nCP | Figure 1 | 1.2 | - | -10 | - | - | - | ns |
| | | | 2.0 | 3 | -2 | - | 3 | - | |
| | | | 2.7 | 3 | -2 | - | 3 | - | |
| | | | 3.0 to 3.6 | 3 | -2 ² | - | 3 | - | |
| | | | 4.5 to 5.5 | 3 | -2 ³ | - | 3 | - | |
| f_{max} | Maximum clock pulse frequency | Figure 1 | 2.0 | 14 | 40 | - | 12 | - | MHz |
| | | | 2.7 | 50 | 90 | - | 40 | - | |
| | | | 3.0 to 3.6 | 60 | 100 ² | - | 48 | - | |
| | | | 4.5 to 5.5 | 70 | 110 ³ | - | 56 | - | |

NOTE:

1. Unless otherwise stated, all typical values are at $T_{\text{amb}} = 25^\circ\text{C}$.
2. Typical value measured at $V_{\text{CC}} = 3.3\text{V}$.
3. Typical value measured at $V_{\text{CC}} = 5.0\text{V}$.

Dual D-type flip-flop with set and reset; positive edge-trigger

74LV74

AC WAVEFORMS

$V_M = 1.5V$ at $V_{CC} \geq 2.7V \leq 3.6V$
 $V_M = 0.5 * V_{CC}$ at $V_{CC} < 2.7V$ and $\geq 4.5V$
 V_{OL} and V_{OH} are the typical output voltage drop that occur with the output load.

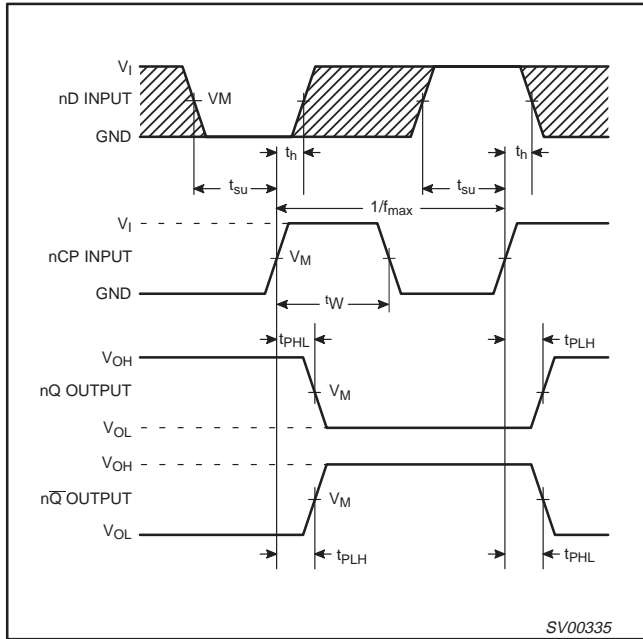


Figure 1. The clock (nCP) to output (nQ, nQ-bar) propagation delays, the clock pulse width, the nD to nCP setup times, the nCP to nD hold times, the output transition times and the maximum clock pulse frequency

NOTE:

The shaded areas indicate when the input is permitted to change for predictable output performance.

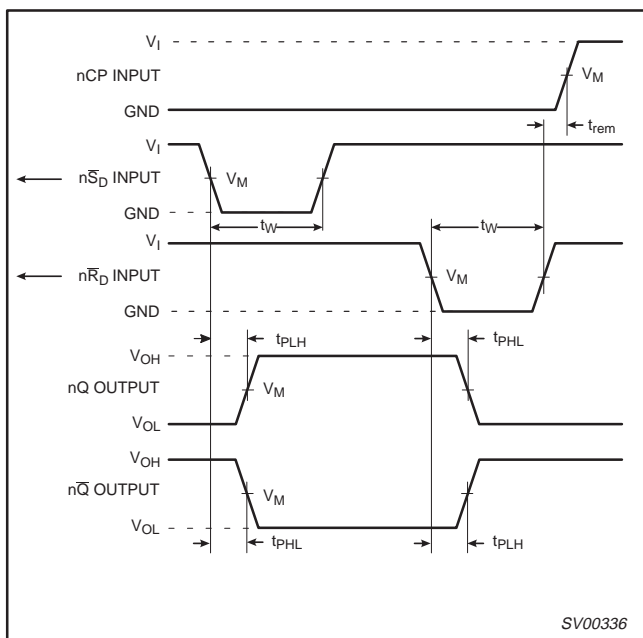


Figure 2. The set (nS-D) and reset (nR-D) input to output (nQ, nQ-bar) propagation delays, the set and reset pulse widths and the nR-D to nCP removal time

TEST CIRCUIT

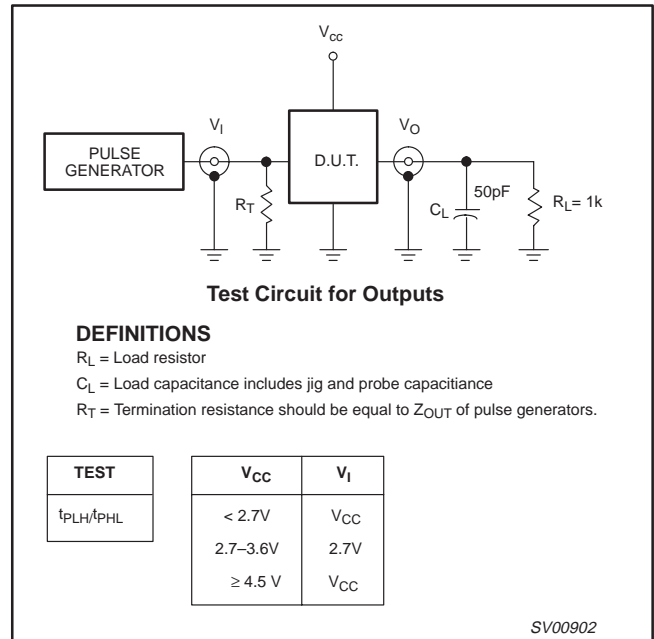


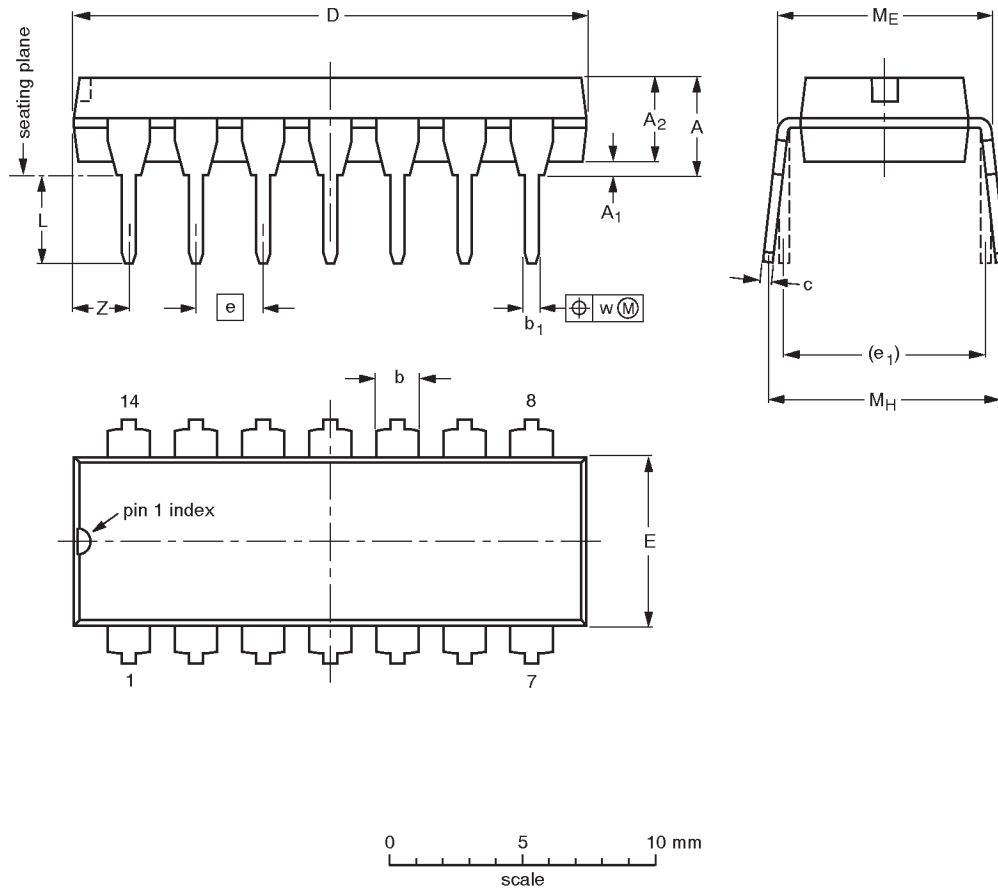
Figure 3. Load circuitry for switching times

Dual D-type flip-flop with set and reset; positive edge-trigger

74LV74

DIP14: plastic dual in-line package; 14 leads (300 mil)

SOT27-1



DIMENSIONS (inch dimensions are derived from the original mm dimensions)

| UNIT | A max. | A ₁ min. | A ₂ max. | b | b ₁ | c | D ⁽¹⁾ | E ⁽¹⁾ | e | e ₁ | L | M _E | M _H | w | Z ⁽¹⁾ max. |
|--------|--------|---------------------|---------------------|----------------|----------------|----------------|------------------|------------------|------|----------------|--------------|----------------|----------------|-------|-----------------------|
| mm | 4.2 | 0.51 | 3.2 | 1.73 1.13 | 0.53 0.38 | 0.36 0.23 | 19.50 18.55 | 6.48 6.20 | 2.54 | 7.62 | 3.60 3.05 | 8.25 7.80 | 10.0 8.3 | 0.254 | 2.2 |
| inches | 0.17 | 0.020 | 0.13 | 0.068 0.044 | 0.021 0.015 | 0.014 0.009 | 0.77 0.73 | 0.26 0.24 | 0.10 | 0.30 | 0.14 0.12 | 0.32 0.31 | 0.39 0.33 | 0.01 | 0.087 |

Note

1. Plastic or metal protrusions of 0.25 mm maximum per side are not included.

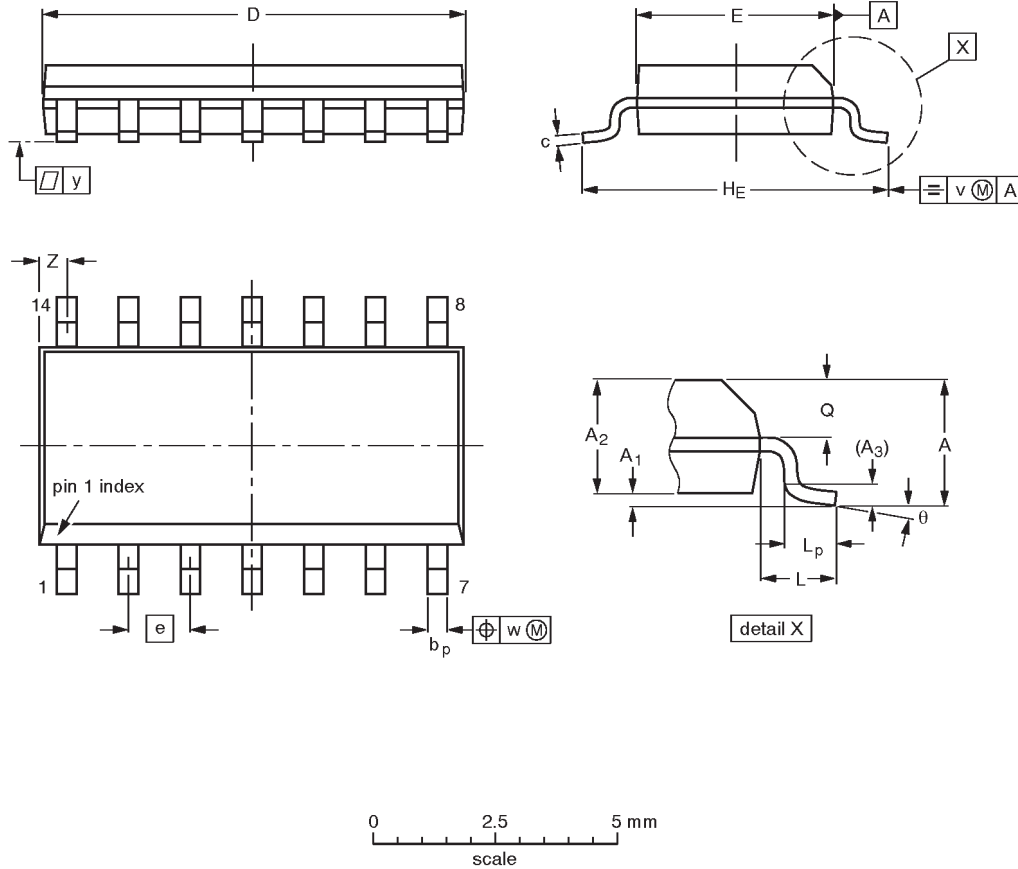
| OUTLINE VERSION | REFERENCES | | | EUROPEAN PROJECTION | ISSUE DATE |
|-----------------|------------|----------|------|---------------------|----------------------|
| | IEC | JEDEC | EIAJ | | |
| SOT27-1 | 050G04 | MO-001AA | | | 92-11-17 95-03-11 |

Dual D-type flip-flop with set and reset; positive edge-trigger

74LV74

SO14: plastic small outline package; 14 leads; body width 3.9 mm

SOT108-1



DIMENSIONS (inch dimensions are derived from the original mm dimensions)

| UNIT | A max. | A ₁ | A ₂ | A ₃ | b _p | c | D ⁽¹⁾ | E ⁽¹⁾ | e | H _E | L | L _p | Q | v | w | y | Z ⁽¹⁾ | θ |
|--------|--------|------------------|----------------|----------------|----------------|------------------|------------------|------------------|-------|----------------|-------|----------------|----------------|------|------|-------|------------------|----------|
| mm | 1.75 | 0.25 0.10 | 1.45 1.25 | 0.25 | 0.49 0.36 | 0.25 0.19 | 8.75 8.55 | 4.0 3.8 | 1.27 | 6.2 5.8 | 1.05 | 1.0 0.4 | 0.7 0.6 | 0.25 | 0.25 | 0.1 | 0.7 0.3 | 8° 0° |
| inches | 0.069 | 0.0098 0.0039 | 0.057 0.049 | 0.01 | 0.019 0.014 | 0.0098 0.0075 | 0.35 0.34 | 0.16 0.15 | 0.050 | 0.24 0.23 | 0.041 | 0.039 0.016 | 0.028 0.024 | 0.01 | 0.01 | 0.004 | 0.028 0.012 | |

Note

1. Plastic or metal protrusions of 0.15 mm maximum per side are not included.

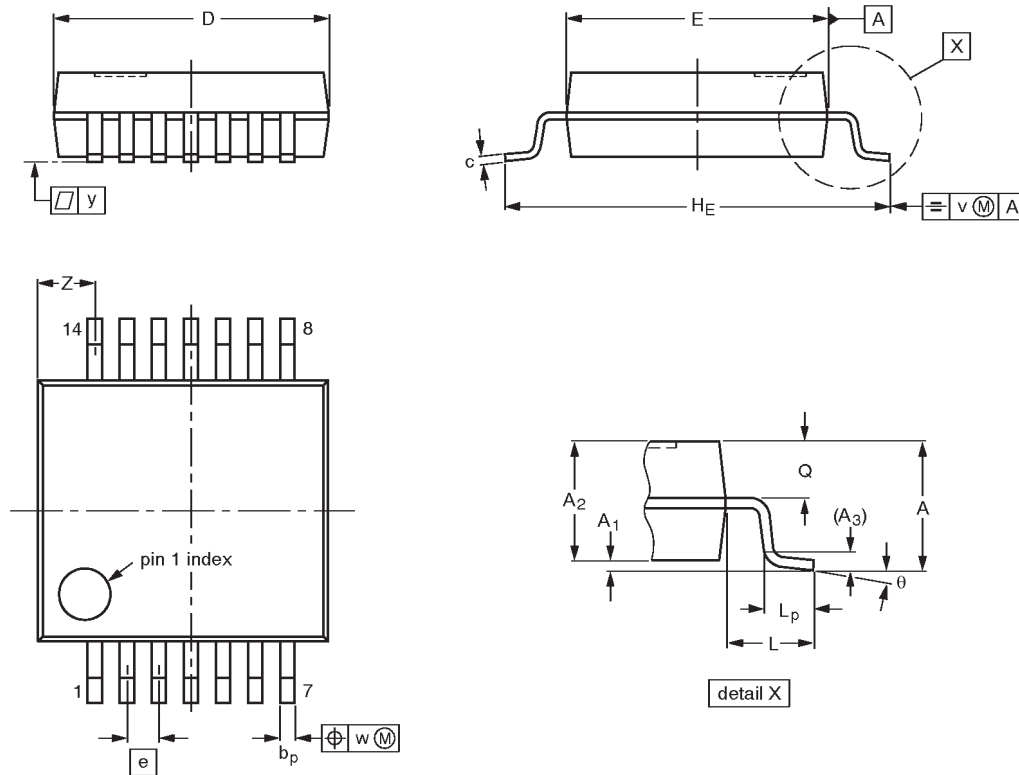
| OUTLINE VERSION | REFERENCES | | | | EUROPEAN PROJECTION | ISSUE DATE |
|-----------------|------------|----------|------|--|---------------------|----------------------|
| | IEC | JEDEC | EIAJ | | | |
| SOT108-1 | 076E06S | MS-012AB | | | | 91-08-13 95-01-23 |

Dual D-type flip-flop with set and reset; positive edge-trigger

74LV74

SSOP14: plastic shrink small outline package; 14 leads; body width 5.3 mm

SOT337-1



DIMENSIONS (mm are the original dimensions)

| UNIT | A max. | A ₁ | A ₂ | A ₃ | b _p | c | D ⁽¹⁾ | E ⁽¹⁾ | e | H _E | L | L _p | Q | v | w | y | Z ⁽¹⁾ | θ |
|------|--------|----------------|----------------|----------------|----------------|--------------|------------------|------------------|------|----------------|------|----------------|------------|-----|------|-----|------------------|----------|
| mm | 2.0 | 0.21 0.05 | 1.80 1.65 | 0.25 | 0.38 0.25 | 0.20 0.09 | 6.4 6.0 | 5.4 5.2 | 0.65 | 7.9 7.6 | 1.25 | 1.03 0.63 | 0.9 0.7 | 0.2 | 0.13 | 0.1 | 1.4 0.9 | 8° 0° |

Note

1. Plastic or metal protrusions of 0.25 mm maximum per side are not included.

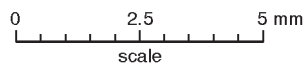
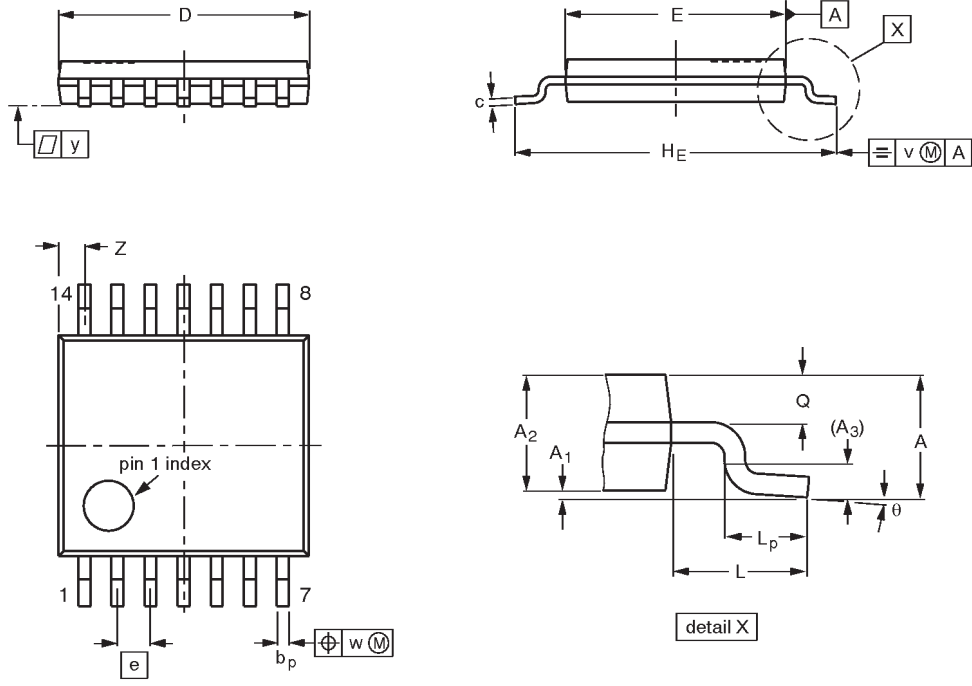
| OUTLINE VERSION | REFERENCES | | | | EUROPEAN PROJECTION | ISSUE DATE |
|-----------------|------------|----------|------|--|---------------------|---------------------------------|
| | IEC | JEDEC | EIAJ | | | |
| SOT337-1 | | MO-150AB | | | | 95-02-04 96-01-18 |

Dual D-type flip-flop with set and reset; positive edge-trigger

74LV74

TSSOP14: plastic thin shrink small outline package; 14 leads; body width 4.4 mm

SOT402-1



DIMENSIONS (mm are the original dimensions)

| UNIT | A max. | A ₁ | A ₂ | A ₃ | b _p | c | D ⁽¹⁾ | E ⁽²⁾ | e | H _E | L | L _p | Q | v | w | y | Z ⁽¹⁾ | θ |
|------|--------|----------------|----------------|----------------|----------------|------------|------------------|------------------|------|----------------|-----|----------------|------------|-----|------|-----|------------------|----------|
| mm | 1.10 | 0.15 0.05 | 0.95 0.80 | 0.25 | 0.30 0.19 | 0.2 0.1 | 5.1 4.9 | 4.5 4.3 | 0.65 | 6.6 6.2 | 1.0 | 0.75 0.50 | 0.4 0.3 | 0.2 | 0.13 | 0.1 | 0.72 0.38 | 8° 0° |

Notes

1. Plastic or metal protrusions of 0.15 mm maximum per side are not included.
2. Plastic interlead protrusions of 0.25 mm maximum per side are not included.

| OUTLINE VERSION | REFERENCES | | | | EUROPEAN PROJECTION | ISSUE DATE |
|-----------------|------------|--------|------|--|---------------------|------------------------|
| | IEC | JEDEC | EIAJ | | | |
| SOT402-1 | | MO-153 | | | | -94-07-12- 95-04-04 |

Dual D-type flip-flop with set and reset; positive edge-trigger

74LV74

DEFINITIONS

| Data Sheet Identification | Product Status | Definition |
|----------------------------------|-------------------------------|--|
| <i>Objective Specification</i> | Formative or in Design | This data sheet contains the design target or goal specifications for product development. Specifications may change in any manner without notice. |
| <i>Preliminary Specification</i> | Preproduction Product | This data sheet contains preliminary data, and supplementary data will be published at a later date. Philips Semiconductors reserves the right to make changes at any time without notice in order to improve design and supply the best possible product. |
| <i>Product Specification</i> | Full Production | This data sheet contains Final Specifications. Philips Semiconductors reserves the right to make changes at any time without notice, in order to improve design and supply the best possible product. |

Philips Semiconductors and Philips Electronics North America Corporation reserve the right to make changes, without notice, in the products, including circuits, standard cells, and/or software, described or contained herein in order to improve design and/or performance. Philips Semiconductors assumes no responsibility or liability for the use of any of these products, conveys no license or title under any patent, copyright, or mask work right to these products, and makes no representations or warranties that these products are free from patent, copyright, or mask work right infringement, unless otherwise specified. Applications that are described herein for any of these products are for illustrative purposes only. Philips Semiconductors makes no representation or warranty that such applications will be suitable for the specified use without further testing or modification.

LIFE SUPPORT APPLICATIONS

Philips Semiconductors and Philips Electronics North America Corporation Products are not designed for use in life support appliances, devices, or systems where malfunction of a Philips Semiconductors and Philips Electronics North America Corporation Product can reasonably be expected to result in a personal injury. Philips Semiconductors and Philips Electronics North America Corporation customers using or selling Philips Semiconductors and Philips Electronics North America Corporation Products for use in such applications do so at their own risk and agree to fully indemnify Philips Semiconductors and Philips Electronics North America Corporation for any damages resulting from such improper use or sale.

Philips Semiconductors
811 East Arques Avenue
P.O. Box 3409
Sunnyvale, California 94088-3409
Telephone 800-234-7381

© Copyright Philips Electronics North America Corporation 1998
All rights reserved. Printed in U.S.A.

print code

Date of release: 05-96

Document order number:

9397-750-04414

Let's make things better.



**Стандарт
Электрон
Связь**

Мы молодая и активно развивающаяся компания в области поставок электронных компонентов. Мы поставляем электронные компоненты отечественного и импортного производства напрямую от производителей и с крупнейших складов мира.

Благодаря сотрудничеству с мировыми поставщиками мы осуществляем комплексные и плановые поставки широчайшего спектра электронных компонентов.

Собственная эффективная логистика и склад в обеспечивает надежную поставку продукции в точно указанные сроки по всей России.

Мы осуществляем техническую поддержку нашим клиентам и предпродажную проверку качества продукции. На все поставляемые продукты мы предоставляем гарантию .

Осуществляем поставки продукции под контролем ВП МО РФ на предприятия военно-промышленного комплекса России , а также работаем в рамках 275 ФЗ с открытием отдельных счетов в уполномоченном банке. Система менеджмента качества компании соответствует требованиям ГОСТ ISO 9001.

Минимальные сроки поставки, гибкие цены, неограниченный ассортимент и индивидуальный подход к клиентам являются основой для выстраивания долгосрочного и эффективного сотрудничества с предприятиями радиоэлектронной промышленности, предприятиями ВПК и научно-исследовательскими институтами России.

С нами вы становитесь еще успешнее!

Наши контакты:

Телефон: +7 812 627 14 35

Электронная почта: sales@st-electron.ru

Адрес: 198099, Санкт-Петербург,
Промышленная ул, дом № 19, литера Н,
помещение 100-Н Офис 331