

74LVC1G175

Single D-type flip-flop with reset; positive-edge trigger

Rev. 5 — 6 December 2011

Product data sheet

1. General description

The 74LVC1G175 is a low-power, low-voltage single positive edge triggered D-type flip-flop with individual data (D) input, clock (CP) input, master reset ($\overline{\text{MR}}$) input, and Q output.

The master reset ($\overline{\text{MR}}$) is an asynchronous active LOW input and operates independently of the clock input. Information on the data input is transferred to the Q output on the LOW-to-HIGH transition of the clock pulse. The D input must be stable one set-up time prior to the LOW-to-HIGH clock transition for predictable operation.

The inputs can be driven from either 3.3 V or 5 V devices. This feature allows the use of this device in a mixed 3.3 V and 5 V environment.

This device is fully specified for partial power-down applications using I_{OFF} . The I_{OFF} circuitry disables the output, preventing the damaging backflow current through the device when it is powered down.

Schmitt trigger action at all inputs makes the circuit highly tolerant of slower input rise and fall times.

2. Features and benefits

- Wide supply voltage range from 1.65 V to 5.5 V
- 5 V tolerant inputs for interfacing with 5 V logic
- High noise immunity
- Complies with JEDEC standard:
 - ◆ JESD8-7 (1.65 V to 1.95 V)
 - ◆ JESD8-5 (2.3 V to 2.7 V)
 - ◆ JESD8B/JESD36 (2.7 V to 3.6 V).
- ESD protection:
 - ◆ HBM JESD22-A114F exceeds 2000 V
 - ◆ MM JESD22-A115-A exceeds 200 V.
- ± 24 mA output drive ($V_{\text{CC}} = 3.0$ V)
- CMOS low power consumption
- Latch-up performance exceeds 250 mA
- Direct interface with TTL levels
- Inputs accept voltages up to 5 V
- Multiple package options
- Specified from -40 °C to $+85$ °C and -40 °C to $+125$ °C.



3. Ordering information

Table 1. Ordering information

| Type number | Package | | | Version |
|--------------|-------------------|-------|---|---------|
| | Temperature range | Name | Description | |
| 74LVC1G175GW | -40 °C to +125 °C | SC-88 | plastic surface-mounted package; 6 leads | SOT363 |
| 74LVC1G175GV | -40 °C to +125 °C | SC-74 | plastic surface-mounted package (TSOP6); 6 leads | SOT457 |
| 74LVC1G175GM | -40 °C to +125 °C | XSON6 | plastic extremely thin small outline package; no leads; 6 terminals; body 1 × 1.45 × 0.5 mm | SOT886 |
| 74LVC1G175GF | -40 °C to +125 °C | XSON6 | plastic extremely thin small outline package; no leads; 6 terminals; body 1 × 1 × 0.5 mm | SOT891 |
| 74LVC1G175GN | -40 °C to +125 °C | XSON6 | extremely thin small outline package; no leads; 6 terminals; body 0.9 × 1.0 × 0.35 mm | SOT1115 |
| 74LVC1G175GS | -40 °C to +125 °C | XSON6 | extremely thin small outline package; no leads; 6 terminals; body 1.0 × 1.0 × 0.35 mm | SOT1202 |

4. Marking

Table 2. Marking

| Type number | Marking code ^[1] |
|--------------|-----------------------------|
| 74LVC1G175GW | YT |
| 74LVC1G175GV | V75 |
| 74LVC1G175GM | YT |
| 74LVC1G175GF | YT |
| 74LVC1G175GN | YT |
| 74LVC1G175GS | YT |

[1] The pin 1 indicator is located on the lower left corner of the device, below the marking code.

5. Functional diagram

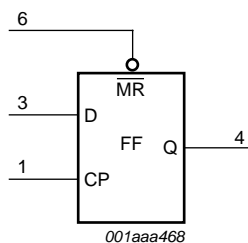


Fig 1. Logic symbol.

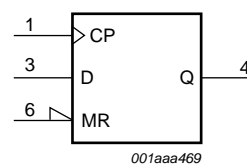


Fig 2. IEC logic symbol.

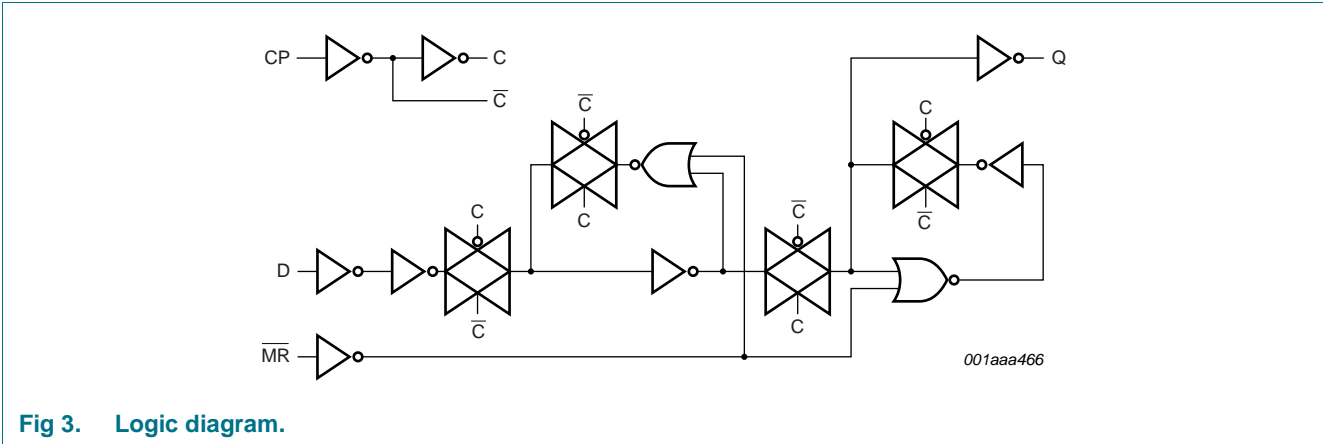


Fig 3. Logic diagram.

6. Pinning information

6.1 Pinning

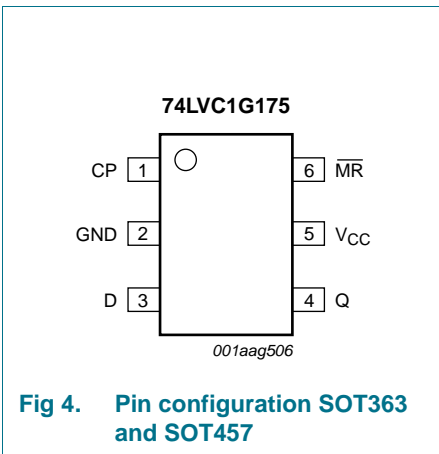


Fig 4. Pin configuration SOT363 and SOT457

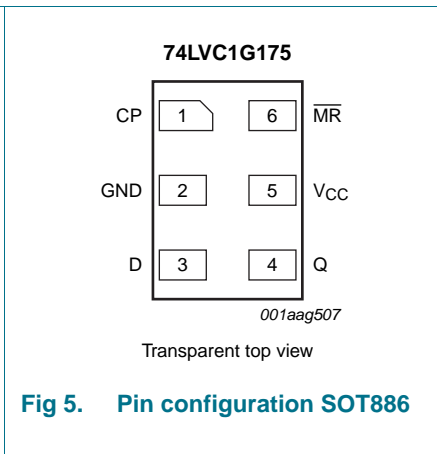


Fig 5. Pin configuration SOT886

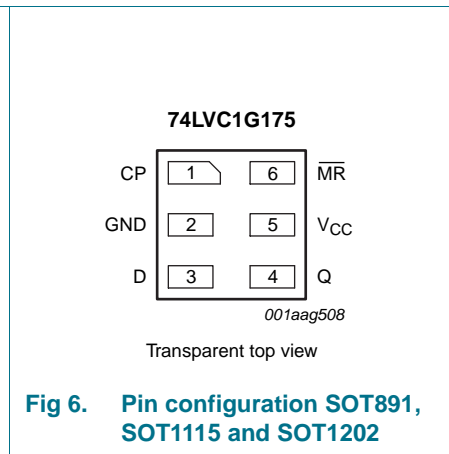


Fig 6. Pin configuration SOT891, SOT1115 and SOT1202

6.2 Pin description

Table 3. Pin description

| Symbol | Pin | Description |
|------------------------|-----|---|
| CP | 1 | clock input (LOW-to-HIGH, edge-triggered) |
| GND | 2 | ground (0 V) |
| D | 3 | data input |
| Q | 4 | output Q |
| V _{CC} | 5 | supply voltage |
| $\overline{\text{MR}}$ | 6 | master reset input (active LOW) |

7. Functional description

Table 4. Function table^[1]

| Operating mode | Input | | | Output |
|----------------|-------|----|---|--------|
| | MR | CP | D | Q |
| Reset (clear) | L | X | X | L |
| Load '1' | H | ↑ | h | H |
| Load '0' | H | ↑ | l | L |

- [1] H = HIGH voltage level;
 h = HIGH voltage level one set-up time prior to the LOW-to-HIGH CP transition;
 L = LOW voltage level;
 l = LOW voltage level one set-up time prior to the LOW-to-HIGH CP transition;
 ↑ = LOW-to-HIGH CP transition;
 X = don't care.

8. Limiting values

Table 5. Limiting values

In accordance with the Absolute Maximum Rating System (IEC 60134). Voltages are referenced to GND (ground = 0 V).

| Symbol | Parameter | Conditions | Min | Max | Unit |
|------------------|-------------------------|--|-------------|-----------------------|------|
| V _{CC} | supply voltage | | -0.5 | +6.5 | V |
| I _{IK} | input clamping current | V _I < 0 V | -50 | - | mA |
| V _I | input voltage | | [1] -0.5 | +6.5 | V |
| I _{OK} | output clamping current | V _O > V _{CC} or V _O < 0 V | - | ±50 | mA |
| V _O | output voltage | Active mode | [1][2] -0.5 | V _{CC} + 0.5 | V |
| | | Power-down mode | [1][2] -0.5 | +6.5 | V |
| I _O | output current | V _O = 0 V to V _{CC} | - | ±50 | mA |
| I _{CC} | supply current | | - | 100 | mA |
| I _{GND} | ground current | | -100 | - | mA |
| P _{tot} | total power dissipation | T _{amb} = -40 °C to +125 °C | [3] - | 250 | mW |
| T _{stg} | storage temperature | | -65 | +150 | °C |

- [1] The input and output voltage ratings may be exceeded if the input and output current ratings are observed.
 [2] When V_{CC} = 0 V (Power-down mode), the output voltage can be 5.5 V in normal operation.
 [3] For SC-88 and SC-74A packages: above 87.5 °C the value of P_{tot} derates linearly with 4.0 mW/K.
 For XSON6 package: above 118 °C the value of P_{tot} derates linearly with 7.8 mW/K.

9. Recommended operating conditions

Table 6. Recommended operating conditions

| Symbol | Parameter | Conditions | Min | Typ | Max | Unit |
|---------------------|-------------------------------------|---------------------------------|------|-----|----------|------|
| V_{CC} | supply voltage | | 1.65 | - | 5.5 | V |
| V_I | input voltage | | 0 | - | 5.5 | V |
| V_O | output voltage | Active mode | 0 | - | V_{CC} | V |
| | | Power-down mode; $V_{CC} = 0$ V | 0 | - | 5.5 | V |
| T_{amb} | ambient temperature | | -40 | - | +125 | °C |
| $\Delta t/\Delta V$ | input transition rise and fall rate | $V_{CC} = 1.65$ V to 2.7 V | - | - | 20 | ns/V |
| | | $V_{CC} = 2.7$ V to 5.5 V | - | - | 10 | ns/V |

10. Static characteristics

Table 7. Static characteristics

At recommended operating conditions. Voltages are referenced to GND (ground = 0 V).

| Symbol | Parameter | Conditions | Min | Typ ^[1] | Max | Unit |
|--|---------------------------|--|----------------------|--------------------|----------------------|---------|
| $T_{amb} = -40$ °C to +85 °C | | | | | | |
| V_{IH} | HIGH-level input voltage | $V_{CC} = 1.65$ V to 1.95 V | $0.65 \times V_{CC}$ | - | - | V |
| | | $V_{CC} = 2.3$ V to 2.7 V | 1.7 | - | - | V |
| | | $V_{CC} = 2.7$ V to 3.6 V | 2.0 | - | - | V |
| | | $V_{CC} = 4.5$ V to 5.5 V | $0.7 \times V_{CC}$ | - | - | V |
| V_{IL} | LOW-level input voltage | $V_{CC} = 1.65$ V to 1.95 V | - | - | $0.35 \times V_{CC}$ | V |
| | | $V_{CC} = 2.3$ V to 2.7 V | - | - | 0.7 | V |
| | | $V_{CC} = 2.7$ V to 3.6 V | - | - | 0.8 | V |
| | | $V_{CC} = 4.5$ V to 5.5 V | - | - | $0.3 \times V_{CC}$ | V |
| V_{OH} | HIGH-level output voltage | $V_I = V_{IH}$ or V_{IL} | | | | |
| | | $I_O = -100$ μ A; $V_{CC} = 1.65$ V to 5.5 V | $V_{CC} - 0.1$ | - | - | V |
| | | $I_O = -4$ mA; $V_{CC} = 1.65$ V | 1.2 | 1.54 | - | V |
| | | $I_O = -8$ mA; $V_{CC} = 2.3$ V | 1.9 | 2.15 | - | V |
| | | $I_O = -12$ mA; $V_{CC} = 2.7$ V | 2.2 | 2.50 | - | V |
| | | $I_O = -24$ mA; $V_{CC} = 3.0$ V | 2.3 | 2.62 | - | V |
| | | $I_O = -32$ mA; $V_{CC} = 4.5$ V | 3.8 | 4.11 | - | V |
| V_{OL} | LOW-level output voltage | $V_I = V_{IH}$ or V_{IL} | | | | |
| | | $I_O = 100$ μ A; $V_{CC} = 1.65$ V to 5.5 V | - | - | 0.10 | V |
| | | $I_O = 4$ mA; $V_{CC} = 1.65$ V | - | 0.07 | 0.45 | V |
| | | $I_O = 8$ mA; $V_{CC} = 2.3$ V | - | 0.12 | 0.30 | V |
| | | $I_O = 12$ mA; $V_{CC} = 2.7$ V | - | 0.17 | 0.40 | V |
| | | $I_O = 24$ mA; $V_{CC} = 3.0$ V | - | 0.33 | 0.55 | V |
| | | $I_O = 32$ mA; $V_{CC} = 4.5$ V | - | 0.39 | 0.55 | V |
| I_I | input leakage current | $V_{CC} = 0$ V to 5.5 V; $V_I = 5.5$ V or GND ^[2] | - | ± 0.1 | ± 5 | μ A |
| I_{OFF} | power-off leakage current | $V_{CC} = 0$ V; V_I or $V_O = 5.5$ V | - | ± 0.1 | ± 10 | μ A |

Table 7. Static characteristics ...continued

At recommended operating conditions. Voltages are referenced to GND (ground = 0 V).

| Symbol | Parameter | Conditions | Min | Typ ^[1] | Max | Unit | |
|---|---------------------------|--|----------------------|--------------------|----------------------|---------------|--|
| I_{CC} | supply current | $V_{CC} = 1.65\text{ V to }5.5\text{ V}; I_O = 0\text{ A}; V_I = 5.5\text{ V or GND}$ | - | 0.1 | 10 | μA | |
| ΔI_{CC} | additional supply current | $V_{CC} = 2.3\text{ V to }5.5\text{ V}; V_I = V_{CC} - 0.6\text{ V}; I_O = 0\text{ A}$ | [2] | 5 | 500 | μA | |
| C_I | input capacitance | $V_{CC} = 3.3\text{ V}; V_I = \text{GND to }V_{CC}$ | - | 2.5 | - | pF | |
| $T_{amb} = -40\text{ }^\circ\text{C to }+125\text{ }^\circ\text{C}$ | | | | | | | |
| V_{IH} | HIGH-level input voltage | $V_{CC} = 1.65\text{ V to }1.95\text{ V}$ | $0.65 \times V_{CC}$ | - | - | V | |
| | | $V_{CC} = 2.3\text{ V to }2.7\text{ V}$ | 1.7 | - | - | V | |
| | | $V_{CC} = 2.7\text{ V to }3.6\text{ V}$ | 2.0 | - | - | V | |
| | | $V_{CC} = 4.5\text{ V to }5.5\text{ V}$ | $0.7 \times V_{CC}$ | - | - | V | |
| V_{IL} | LOW-level input voltage | $V_{CC} = 1.65\text{ V to }1.95\text{ V}$ | - | - | $0.35 \times V_{CC}$ | V | |
| | | $V_{CC} = 2.3\text{ V to }2.7\text{ V}$ | - | - | 0.7 | V | |
| | | $V_{CC} = 2.7\text{ V to }3.6\text{ V}$ | - | - | 0.8 | V | |
| | | $V_{CC} = 4.5\text{ V to }5.5\text{ V}$ | - | - | $0.3 \times V_{CC}$ | V | |
| V_{OH} | HIGH-level output voltage | $V_I = V_{IH}\text{ or }V_{IL}$ | | | | | |
| | | $I_O = -100\text{ }\mu\text{A}; V_{CC} = 1.65\text{ V to }5.5\text{ V}$ | $V_{CC} - 0.1$ | - | - | V | |
| | | $I_O = -4\text{ mA}; V_{CC} = 1.65\text{ V}$ | 0.95 | - | - | V | |
| | | $I_O = -8\text{ mA}; V_{CC} = 2.3\text{ V}$ | 1.7 | - | - | V | |
| | | $I_O = -12\text{ mA}; V_{CC} = 2.7\text{ V}$ | 1.9 | - | - | V | |
| | | $I_O = -24\text{ mA}; V_{CC} = 3.0\text{ V}$ | 2.0 | - | - | V | |
| V_{OL} | LOW-level output voltage | $V_I = V_{IH}\text{ or }V_{IL}$ | | | | | |
| | | $I_O = 100\text{ }\mu\text{A}; V_{CC} = 1.65\text{ V to }5.5\text{ V}$ | - | - | 0.10 | V | |
| | | $I_O = 4\text{ mA}; V_{CC} = 1.65\text{ V}$ | - | - | 0.70 | V | |
| | | $I_O = 8\text{ mA}; V_{CC} = 2.3\text{ V}$ | - | - | 0.45 | V | |
| | | $I_O = 12\text{ mA}; V_{CC} = 2.7\text{ V}$ | - | - | 0.60 | V | |
| | | $I_O = 24\text{ mA}; V_{CC} = 3.0\text{ V}$ | - | - | 0.80 | V | |
| I_I | input leakage current | $V_{CC} = 0\text{ V to }5.5\text{ V}; V_I = 5.5\text{ V or GND}$ | - | - | ± 20 | μA | |
| | | $V_{CC} = 0\text{ V}; V_I\text{ or }V_O = 5.5\text{ V}$ | - | - | ± 20 | μA | |
| | | $V_{CC} = 1.65\text{ V to }5.5\text{ V}; I_O = 0\text{ A}; V_I = 5.5\text{ V or GND}$ | - | - | 40 | μA | |
| | | $V_{CC} = 2.3\text{ V to }5.5\text{ V}; V_I = V_{CC} - 0.6\text{ V}; I_O = 0\text{ A}$ | - | - | 5000 | μA | |
| | | | | | | | |
| | | | | | | | |

[1] All typical values are measured at $T_{amb} = 25\text{ }^\circ\text{C}$.[2] These typical values are measured at $V_{CC} = 3.3\text{ V}$.

11. Dynamic characteristics

Table 8. Dynamic characteristics

Voltages are referenced to GND (ground = 0 V); for test circuit see [Figure 9](#).

| Symbol | Parameter | Conditions | –40 °C to +85 °C | | | –40 °C to +125 °C | | Unit | | |
|--------------------------------------|-------------------|--|------------------|---|------|-------------------|-----|------|---|----|
| | | | Min | Typ ^[1] | Max | Min | Max | | | |
| t _{pd} | propagation delay | CP to Q; see Figure 7 ^[2] | | | | | | | | |
| | | V _{CC} = 1.65 V to 1.95 V | 1.5 | 4.9 | 13.4 | 1.5 | 17 | ns | | |
| | | V _{CC} = 2.3 V to 2.7 V | 1.0 | 3.1 | 7.1 | 1.0 | 9.0 | ns | | |
| | | V _{CC} = 2.7 V | 1.0 | 3.2 | 7.1 | 1.0 | 9.0 | ns | | |
| | | V _{CC} = 3.0 V to 3.6 V | 1.0 | 3.1 | 5.7 | 0.5 | 7.5 | ns | | |
| | | V _{CC} = 4.5 V to 5.5 V | 1.0 | 2.2 | 4.0 | 0.5 | 5.5 | ns | | |
| | | MR to Q; see Figure 8 | | | | | | | | |
| | | V _{CC} = 1.65 V to 1.95 V | 1.5 | 4.3 | 12.9 | 1.5 | 17 | ns | | |
| | | V _{CC} = 2.3 V to 2.7 V | 1.0 | 2.8 | 7.0 | 1.0 | 9.0 | ns | | |
| | | V _{CC} = 2.7 V | 1.0 | 3.0 | 7.0 | 1.0 | 9.0 | ns | | |
| | | V _{CC} = 3.0 V to 3.6 V | 1.0 | 2.5 | 5.8 | 0.5 | 7.5 | ns | | |
| | | V _{CC} = 4.5 V to 5.5 V | 1.0 | 2.0 | 4.1 | 0.5 | 5.5 | ns | | |
| | | t _w | pulse width | CP HIGH or LOW; see Figure 7 | | | | | | |
| | | | | V _{CC} = 1.65 V to 1.95 V | 6.2 | - | - | 6.2 | - | ns |
| V _{CC} = 2.3 V to 2.7 V | 2.7 | | | - | - | 2.7 | - | ns | | |
| V _{CC} = 2.7 V | 2.7 | | | - | - | 2.7 | - | ns | | |
| V _{CC} = 3.0 V to 3.6 V | 2.7 | | | 1.3 | - | 2.7 | - | ns | | |
| V _{CC} = 4.5 V to 5.5 V | 2.0 | | | - | - | 2.0 | - | ns | | |
| MR LOW; see Figure 8 | | | | | | | | | | |
| V _{CC} = 1.65 V to 1.95 V | 6.2 | | | - | - | 6.2 | - | ns | | |
| V _{CC} = 2.3 V to 2.7 V | 2.7 | | | - | - | 2.7 | - | ns | | |
| V _{CC} = 2.7 V | 2.7 | | | - | - | 2.7 | - | ns | | |
| V _{CC} = 3.0 V to 3.6 V | 2.7 | | | 1.6 | - | 2.7 | - | ns | | |
| V _{CC} = 4.5 V to 5.5 V | 2.0 | | | - | - | 2.0 | - | ns | | |
| t _{rec} | recovery time | | | MR; see Figure 8 | | | | | | |
| | | | | V _{CC} = 1.65 V to 1.95 V | 1.9 | - | - | 1.9 | - | ns |
| | | V _{CC} = 2.3 V to 2.7 V | 1.4 | - | - | 1.4 | - | ns | | |
| | | V _{CC} = 2.7 V | 1.3 | - | - | 1.3 | - | ns | | |
| | | V _{CC} = 3.0 V to 3.6 V | 1.2 | 0.4 | - | 1.2 | - | ns | | |
| | | V _{CC} = 4.5 V to 5.5 V | 1.0 | - | - | 1.0 | - | ns | | |
| t _{su} | set-up time | D to CP; see Figure 7 | | | | | | | | |
| | | V _{CC} = 1.65 V to 1.95 V | 2.9 | - | - | 2.9 | - | ns | | |
| | | V _{CC} = 2.3 V to 2.7 V | 1.7 | - | - | 1.7 | - | ns | | |
| | | V _{CC} = 2.7 V | 1.7 | - | - | 1.7 | - | ns | | |
| | | V _{CC} = 3.0 V to 3.6 V | 1.3 | 0.5 | - | 1.3 | - | ns | | |
| | | V _{CC} = 4.5 V to 5.5 V | 1.1 | - | - | 1.1 | - | ns | | |

Table 8. Dynamic characteristics ...continued

Voltages are referenced to GND (ground = 0 V); for test circuit see [Figure 9](#).

| Symbol | Parameter | Conditions | -40 °C to +85 °C | | | -40 °C to +125 °C | | Unit |
|------------------|-------------------------------|---|------------------|--------------------|-----|-------------------|-----|------|
| | | | Min | Typ ^[1] | Max | Min | Max | |
| t _h | hold time | D to CP; see Figure 7 | | | | | | |
| | | V _{CC} = 1.65 V to 1.95 V | 0.0 | - | - | 0.0 | - | ns |
| | | V _{CC} = 2.3 V to 2.7 V | 0.3 | - | - | 0.3 | - | ns |
| | | V _{CC} = 2.7 V | 0.5 | - | - | 0.5 | - | ns |
| | | V _{CC} = 3.0 V to 3.6 V | 1.2 | 0.2 | - | 1.2 | - | ns |
| | | V _{CC} = 4.5 V to 5.5 V | 0.5 | - | - | 0.5 | - | ns |
| f _{max} | maximum frequency | CP; see Figure 7 | | | | | | |
| | | V _{CC} = 1.65 V to 1.95 V | 80 | 125 | - | 80 | - | MHz |
| | | V _{CC} = 2.3 V to 2.7 V | 175 | - | - | 175 | - | MHz |
| | | V _{CC} = 2.7 V | 175 | - | - | 175 | - | MHz |
| | | V _{CC} = 3.0 V to 3.6 V | 175 | 300 | - | 175 | - | MHz |
| | | V _{CC} = 4.5 V to 5.5 V | 200 | - | - | 200 | - | MHz |
| C _{PD} | power dissipation capacitance | V _I = GND to V _{CC} ; V _{CC} = 3.3 V [3] | - | 14 | - | - | - | pF |

[1] Typical values are measured at T_{amb} = 25 °C and V_{CC} = 1.8 V, 2.5 V, 2.7 V, 3.3 V and 5.0 V respectively.

[2] t_{pd} is the same as t_{PLH} and t_{PHL}.

[3] C_{PD} is used to determine the dynamic power dissipation (P_D in μW).

$$P_D = C_{PD} \times V_{CC}^2 \times f_i \times N + \Sigma(C_L \times V_{CC}^2 \times f_o) \text{ where:}$$

f_i = input frequency in MHz;

f_o = output frequency in MHz;

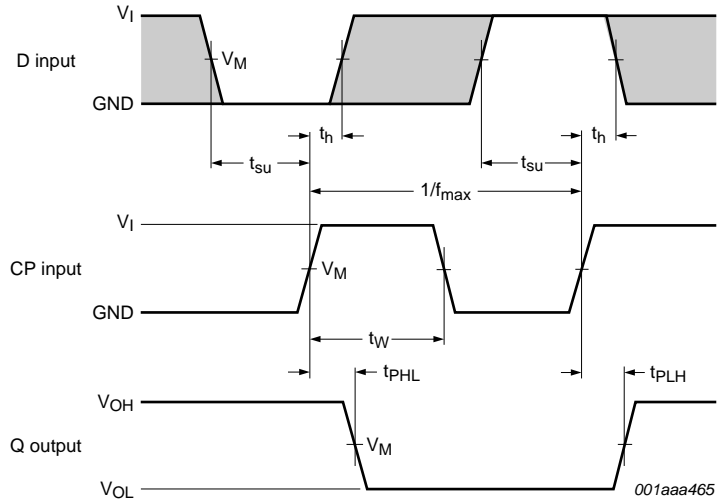
C_L = output load capacitance in pF;

V_{CC} = supply voltage in Volts;

N = number of inputs switching;

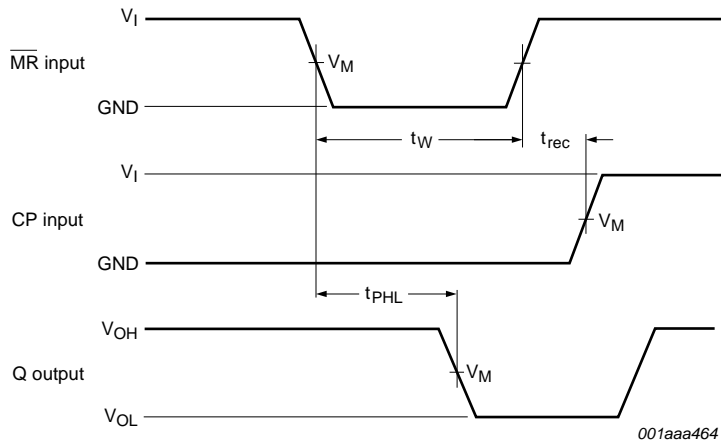
Σ(C_L × V_{CC}² × f_o) = sum of the outputs.

12. Waveforms



Measurement points are given in [Table 9](#).
 The shaded areas indicate when the input is permitted to change for predictable output performance.
 V_{OL} and V_{OH} are typical output voltage drops that occur with the output load.

Fig 7. The clock input (CP) to output (Q) propagation delays, the clock pulse width, the D to CP set-up, the CP to D hold times, and the maximum clock pulse frequency

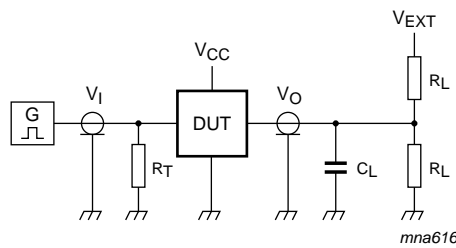


Measurement points are given in [Table 9](#).
 V_{OL} and V_{OH} are typical output voltage drops that occur with the output load.

Fig 8. The master reset (MR) input to output (Q) propagation delays, the master reset pulse width, and the MR to CP recovery time

Table 9. Measurement points

| Supply voltage | Input | Output |
|------------------|---------------------|---------------------|
| V_{CC} | V_M | V_M |
| 1.65 V to 1.95 V | $0.5 \times V_{CC}$ | $0.5 \times V_{CC}$ |
| 2.3 V to 2.7 V | $0.5 \times V_{CC}$ | $0.5 \times V_{CC}$ |
| 2.7 V | 1.5 V | 1.5 V |
| 3.0 V to 3.6 V | 1.5 V | 1.5 V |
| 4.5 V to 5.5 V | $0.5 \times V_{CC}$ | $0.5 \times V_{CC}$ |



Test data is given in [Table 10](#).

Definitions for test circuit:

R_L = Load resistance.

C_L = Load capacitance including jig and probe capacitance.

R_T = Termination resistance should be equal to the output impedance Z_o of the pulse generator.

V_{EXT} = External voltage for measuring switching times.

Fig 9. Test circuit for measuring switching times

Table 10. Test data

| Supply voltage | Input | Load | | | V_{EXT} |
|------------------|----------|---------------|-------|--------------|--------------------|
| V_{CC} | V_I | $t_r = t_f$ | C_L | R_L | t_{PLH}, t_{PHL} |
| 1.65 V to 1.95 V | V_{CC} | ≤ 2.0 ns | 30 pF | 1 k Ω | open |
| 2.3 V to 2.7 V | V_{CC} | ≤ 2.0 ns | 30 pF | 500 Ω | open |
| 2.7 V | 2.7 V | ≤ 2.5 ns | 50 pF | 500 Ω | open |
| 3.0 V to 3.6 V | 2.7 V | ≤ 2.5 ns | 50 pF | 500 Ω | open |
| 4.5 V to 5.5 V | V_{CC} | ≤ 2.5 ns | 50 pF | 500 Ω | open |

13. Package outline

Plastic surface-mounted package; 6 leads

SOT363

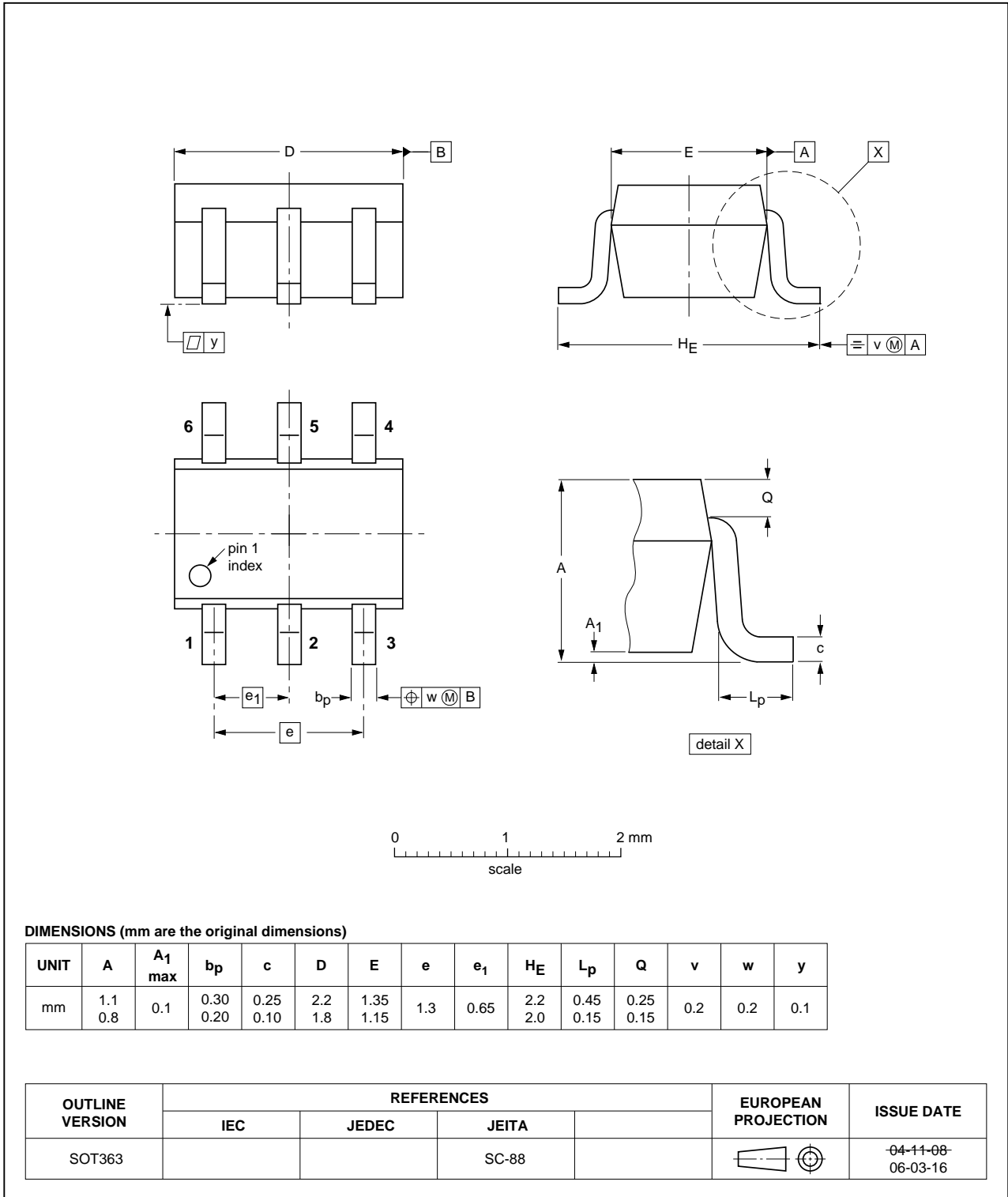


Fig 10. Package outline SOT363 (SC-88)

Plastic surface-mounted package (TSOP6); 6 leads

SOT457

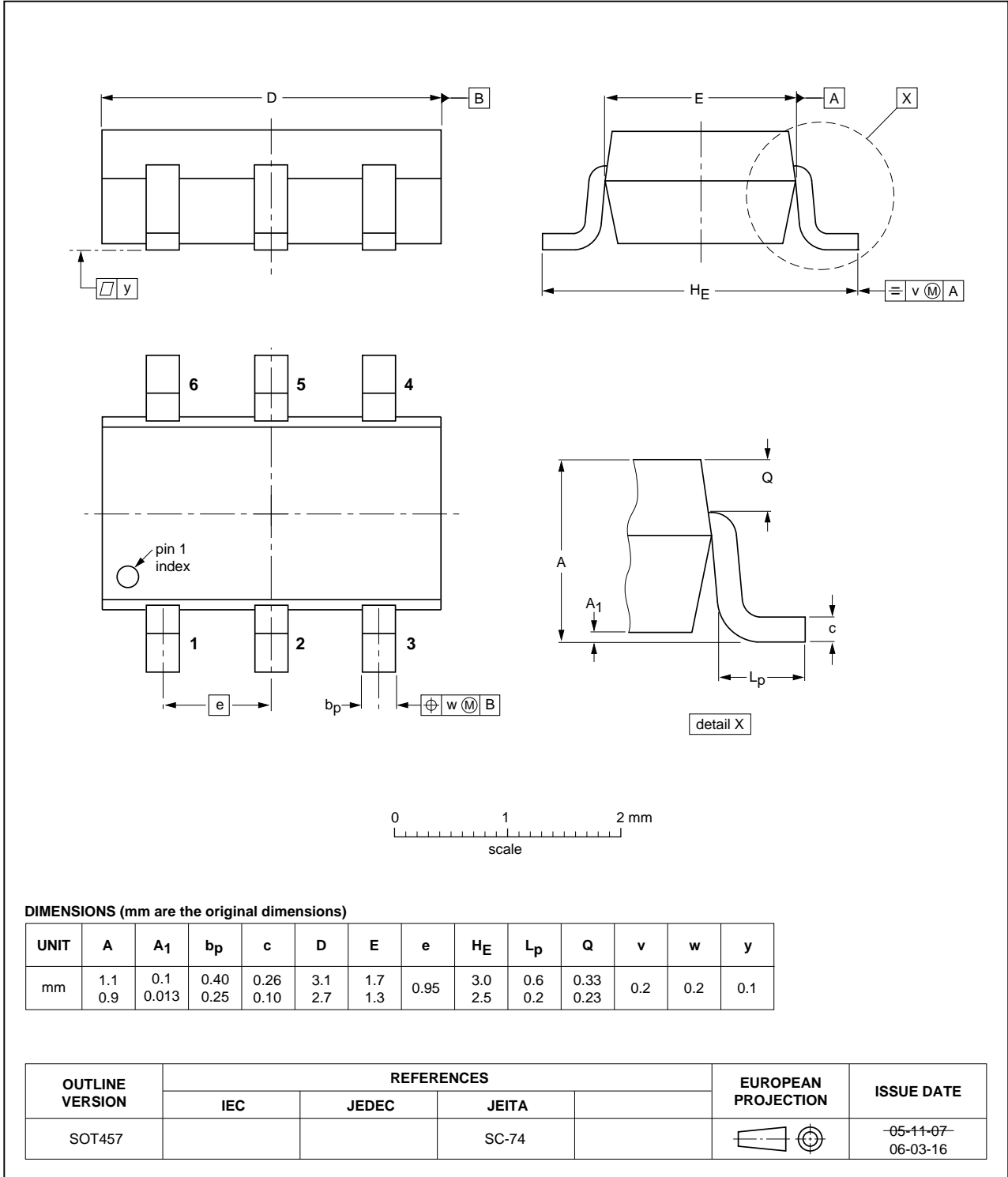


Fig 11. Package outline SOT457 (SC-74)

XSON6: plastic extremely thin small outline package; no leads; 6 terminals; body 1 x 1.45 x 0.5 mm

SOT886

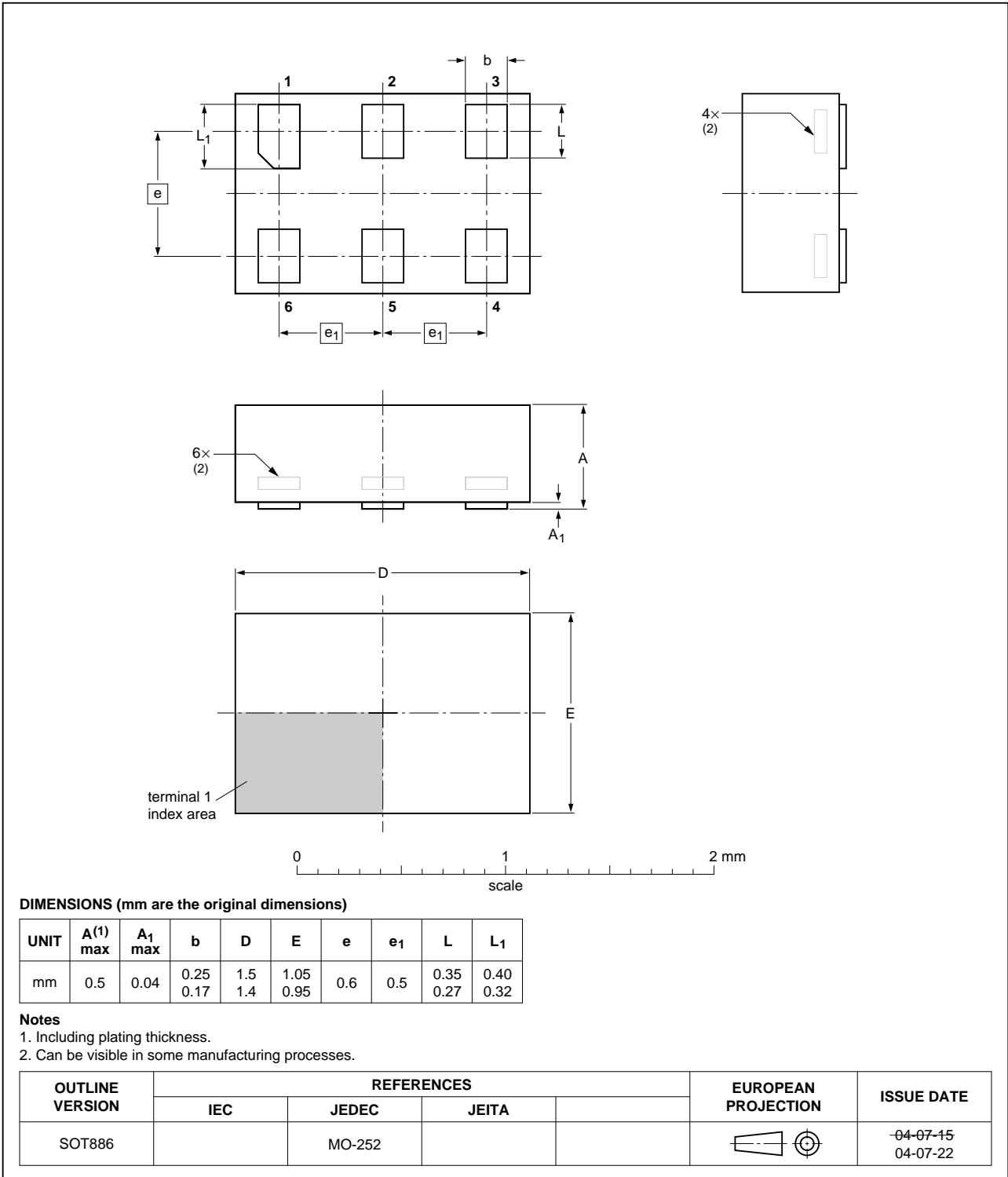


Fig 12. Package outline SOT886 (XSON6)

XSON6: plastic extremely thin small outline package; no leads; 6 terminals; body 1 x 1 x 0.5 mm

SOT891

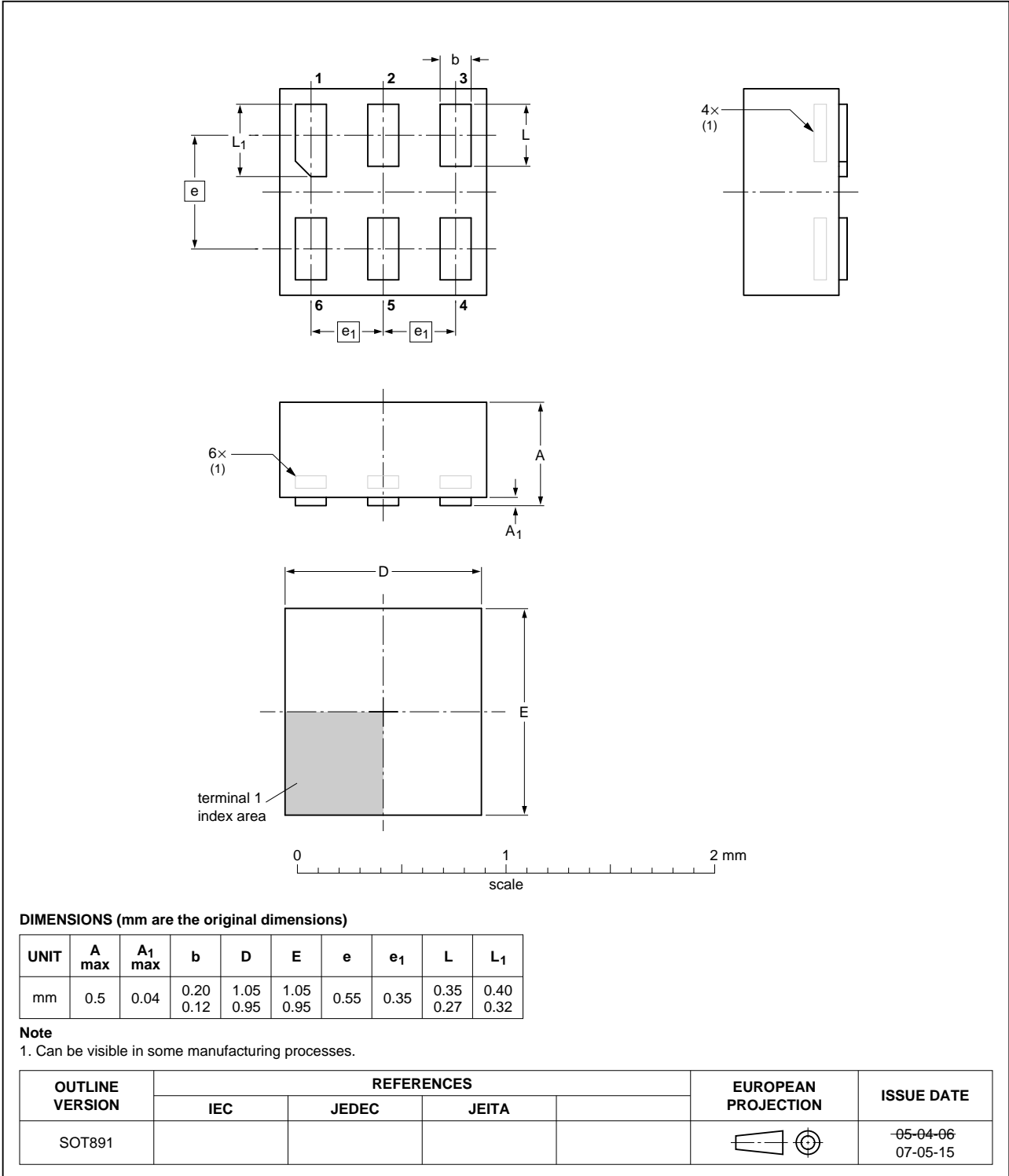


Fig 13. Package outline SOT891 (XSON6)

XSON6: extremely thin small outline package; no leads;
6 terminals; body 0.9 x 1.0 x 0.35 mm

SOT1115

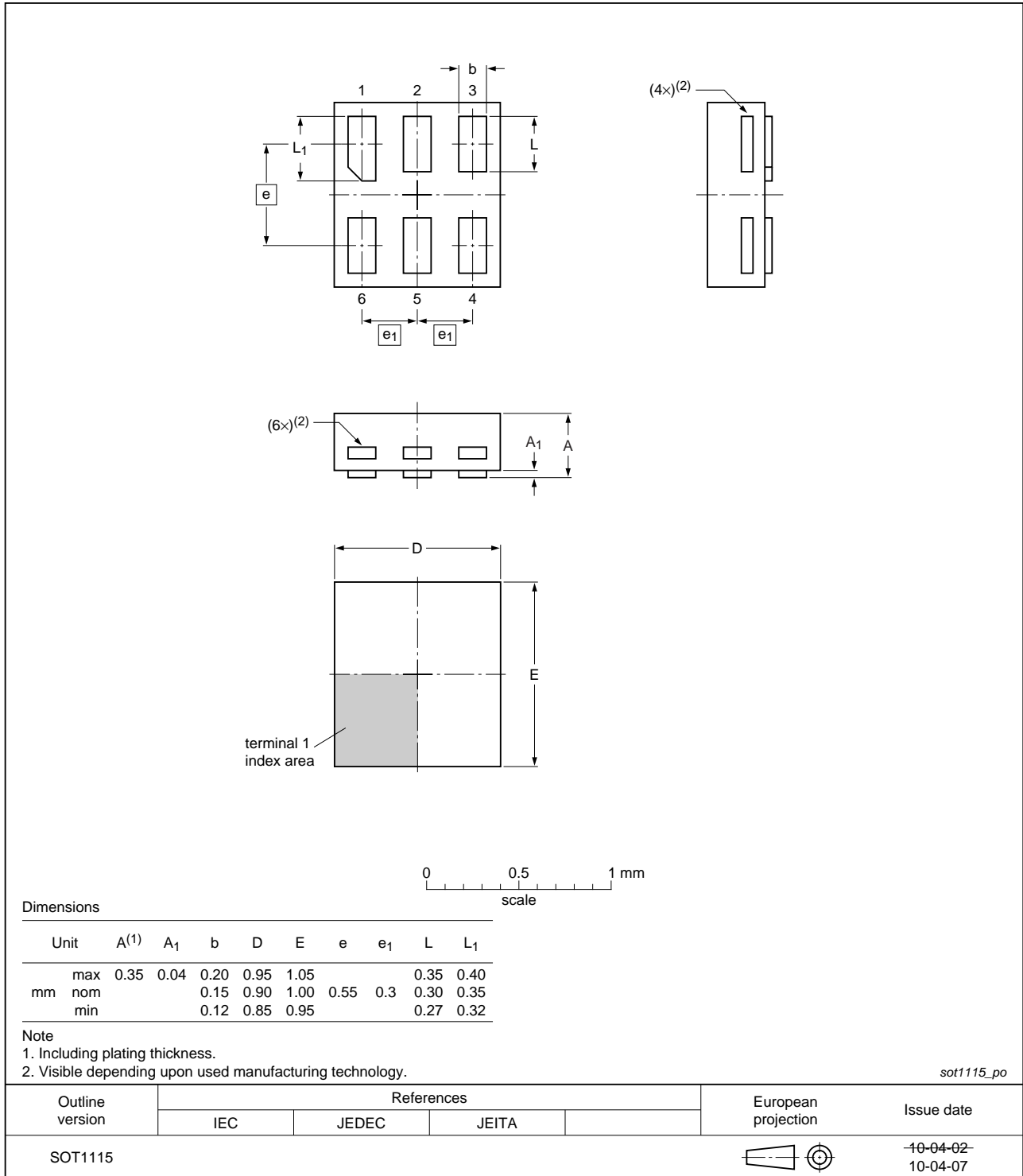


Fig 14. Package outline SOT1115 (XSON6)

XSON6: extremely thin small outline package; no leads;
6 terminals; body 1.0 x 1.0 x 0.35 mm

SOT1202

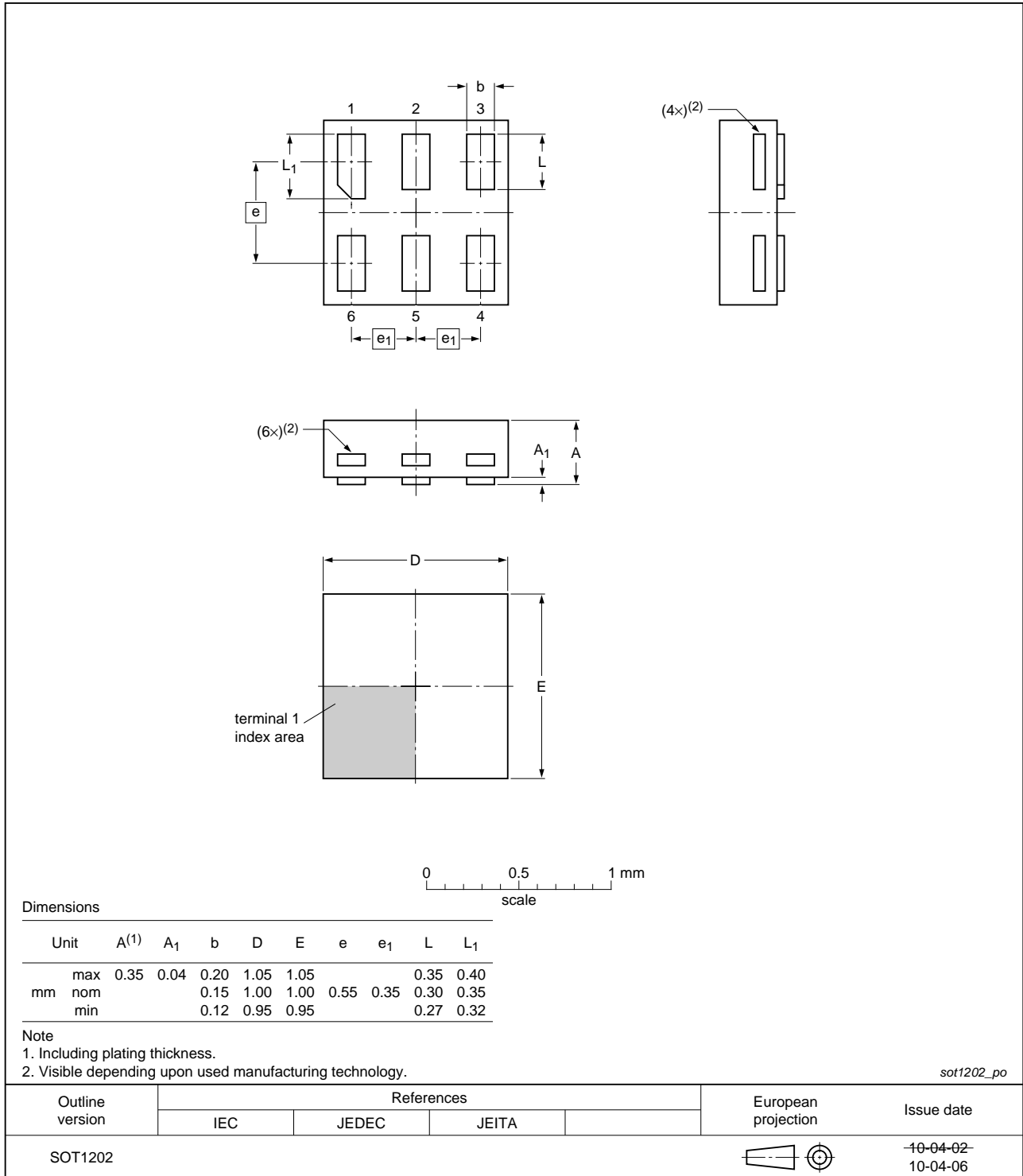


Fig 15. Package outline SOT1202 (XSON6)

14. Abbreviations

Table 11. Abbreviations

| Acronym | Description |
|---------|---|
| CMOS | Complementary Metal Oxide Semiconductor |
| DUT | Device Under Test |
| ESD | ElectroStatic Discharge |
| HBM | Human Body Model |
| MM | Machine Model |
| TTL | Transistor-Transistor Logic |

15. Revision history

Table 12. Revision history

| Document ID | Release date | Data sheet status | Change notice | Supersedes |
|----------------|--|-----------------------|---------------|----------------|
| 74LVC1G175 v.5 | 20111206 | Product data sheet | - | 74LVC1G175 v.4 |
| Modifications: | <ul style="list-style-type: none">Legal pages updated. | | | |
| 74LVC1G175 v.4 | 20101004 | Product data sheet | - | 74LVC1G175 v.3 |
| 74LVC1G175 v.3 | 20070521 | Product data sheet | - | 74LVC1G175 v.2 |
| 74LVC1G175 v.2 | 20041018 | Product specification | - | 74LVC1G175 v.1 |
| 74LVC1G175 v.1 | 20040318 | Product specification | - | - |

16. Legal information

16.1 Data sheet status

| Document status ^{[1][2]} | Product status ^[3] | Definition |
|-----------------------------------|-------------------------------|---|
| Objective [short] data sheet | Development | This document contains data from the objective specification for product development. |
| Preliminary [short] data sheet | Qualification | This document contains data from the preliminary specification. |
| Product [short] data sheet | Production | This document contains the product specification. |

[1] Please consult the most recently issued document before initiating or completing a design.

[2] The term 'short data sheet' is explained in section "Definitions".

[3] The product status of device(s) described in this document may have changed since this document was published and may differ in case of multiple devices. The latest product status information is available on the Internet at URL <http://www.nxp.com>.

16.2 Definitions

Draft — The document is a draft version only. The content is still under internal review and subject to formal approval, which may result in modifications or additions. NXP Semiconductors does not give any representations or warranties as to the accuracy or completeness of information included herein and shall have no liability for the consequences of use of such information.

Short data sheet — A short data sheet is an extract from a full data sheet with the same product type number(s) and title. A short data sheet is intended for quick reference only and should not be relied upon to contain detailed and full information. For detailed and full information see the relevant full data sheet, which is available on request via the local NXP Semiconductors sales office. In case of any inconsistency or conflict with the short data sheet, the full data sheet shall prevail.

Product specification — The information and data provided in a Product data sheet shall define the specification of the product as agreed between NXP Semiconductors and its customer, unless NXP Semiconductors and customer have explicitly agreed otherwise in writing. In no event however, shall an agreement be valid in which the NXP Semiconductors product is deemed to offer functions and qualities beyond those described in the Product data sheet.

16.3 Disclaimers

Limited warranty and liability — Information in this document is believed to be accurate and reliable. However, NXP Semiconductors does not give any representations or warranties, expressed or implied, as to the accuracy or completeness of such information and shall have no liability for the consequences of use of such information.

In no event shall NXP Semiconductors be liable for any indirect, incidental, punitive, special or consequential damages (including - without limitation - lost profits, lost savings, business interruption, costs related to the removal or replacement of any products or rework charges) whether or not such damages are based on tort (including negligence), warranty, breach of contract or any other legal theory.

Notwithstanding any damages that customer might incur for any reason whatsoever, NXP Semiconductors' aggregate and cumulative liability towards customer for the products described herein shall be limited in accordance with the *Terms and conditions of commercial sale* of NXP Semiconductors.

Right to make changes — NXP Semiconductors reserves the right to make changes to information published in this document, including without limitation specifications and product descriptions, at any time and without notice. This document supersedes and replaces all information supplied prior to the publication hereof.

Suitability for use — NXP Semiconductors products are not designed, authorized or warranted to be suitable for use in life support, life-critical or safety-critical systems or equipment, nor in applications where failure or

malfunction of an NXP Semiconductors product can reasonably be expected to result in personal injury, death or severe property or environmental damage. NXP Semiconductors accepts no liability for inclusion and/or use of NXP Semiconductors products in such equipment or applications and therefore such inclusion and/or use is at the customer's own risk.

Applications — Applications that are described herein for any of these products are for illustrative purposes only. NXP Semiconductors makes no representation or warranty that such applications will be suitable for the specified use without further testing or modification.

Customers are responsible for the design and operation of their applications and products using NXP Semiconductors products, and NXP Semiconductors accepts no liability for any assistance with applications or customer product design. It is customer's sole responsibility to determine whether the NXP Semiconductors product is suitable and fit for the customer's applications and products planned, as well as for the planned application and use of customer's third party customer(s). Customers should provide appropriate design and operating safeguards to minimize the risks associated with their applications and products.

NXP Semiconductors does not accept any liability related to any default, damage, costs or problem which is based on any weakness or default in the customer's applications or products, or the application or use by customer's third party customer(s). Customer is responsible for doing all necessary testing for the customer's applications and products using NXP Semiconductors products in order to avoid a default of the applications and the products or of the application or use by customer's third party customer(s). NXP does not accept any liability in this respect.

Limiting values — Stress above one or more limiting values (as defined in the Absolute Maximum Ratings System of IEC 60134) will cause permanent damage to the device. Limiting values are stress ratings only and (proper) operation of the device at these or any other conditions above those given in the Recommended operating conditions section (if present) or the Characteristics sections of this document is not warranted. Constant or repeated exposure to limiting values will permanently and irreversibly affect the quality and reliability of the device.

Terms and conditions of commercial sale — NXP Semiconductors products are sold subject to the general terms and conditions of commercial sale, as published at <http://www.nxp.com/profile/terms>, unless otherwise agreed in a valid written individual agreement. In case an individual agreement is concluded only the terms and conditions of the respective agreement shall apply. NXP Semiconductors hereby expressly objects to applying the customer's general terms and conditions with regard to the purchase of NXP Semiconductors products by customer.

No offer to sell or license — Nothing in this document may be interpreted or construed as an offer to sell products that is open for acceptance or the grant, conveyance or implication of any license under any copyrights, patents or other industrial or intellectual property rights.

Export control — This document as well as the item(s) described herein may be subject to export control regulations. Export might require a prior authorization from competent authorities.

Non-automotive qualified products — Unless this data sheet expressly states that this specific NXP Semiconductors product is automotive qualified, the product is not suitable for automotive use. It is neither qualified nor tested in accordance with automotive testing or application requirements. NXP Semiconductors accepts no liability for inclusion and/or use of non-automotive qualified products in automotive equipment or applications.

In the event that customer uses the product for design-in and use in automotive applications to automotive specifications and standards, customer (a) shall use the product without NXP Semiconductors' warranty of the product for such automotive applications, use and specifications, and (b) whenever customer uses the product for automotive applications beyond

NXP Semiconductors' specifications such use shall be solely at customer's own risk, and (c) customer fully indemnifies NXP Semiconductors for any liability, damages or failed product claims resulting from customer design and use of the product for automotive applications beyond NXP Semiconductors' standard warranty and NXP Semiconductors' product specifications.

16.4 Trademarks

Notice: All referenced brands, product names, service names and trademarks are the property of their respective owners.

17. Contact information

For more information, please visit: <http://www.nxp.com>

For sales office addresses, please send an email to: salesaddresses@nxp.com

18. Contents

| | | |
|-----------|---|-----------|
| 1 | General description | 1 |
| 2 | Features and benefits | 1 |
| 3 | Ordering information | 2 |
| 4 | Marking | 2 |
| 5 | Functional diagram | 2 |
| 6 | Pinning information | 3 |
| 6.1 | Pinning | 3 |
| 6.2 | Pin description | 3 |
| 7 | Functional description | 4 |
| 8 | Limiting values | 4 |
| 9 | Recommended operating conditions | 5 |
| 10 | Static characteristics | 5 |
| 11 | Dynamic characteristics | 7 |
| 12 | Waveforms | 9 |
| 13 | Package outline | 11 |
| 14 | Abbreviations | 17 |
| 15 | Revision history | 17 |
| 16 | Legal information | 18 |
| 16.1 | Data sheet status | 18 |
| 16.2 | Definitions | 18 |
| 16.3 | Disclaimers | 18 |
| 16.4 | Trademarks | 19 |
| 17 | Contact information | 19 |
| 18 | Contents | 20 |

Please be aware that important notices concerning this document and the product(s) described herein, have been included in section 'Legal information'.

© NXP B.V. 2011.

All rights reserved.

For more information, please visit: <http://www.nxp.com>

For sales office addresses, please send an email to: salesaddresses@nxp.com

Date of release: 6 December 2011

Document identifier: 74LVC1G175



Стандарт Электрон Связь

Мы молодая и активно развивающаяся компания в области поставок электронных компонентов. Мы поставляем электронные компоненты отечественного и импортного производства напрямую от производителей и с крупнейших складов мира.

Благодаря сотрудничеству с мировыми поставщиками мы осуществляем комплексные и плановые поставки широчайшего спектра электронных компонентов.

Собственная эффективная логистика и склад в обеспечивает надежную поставку продукции в точно указанные сроки по всей России.

Мы осуществляем техническую поддержку нашим клиентам и предпродажную проверку качества продукции. На все поставляемые продукты мы предоставляем гарантию .

Осуществляем поставки продукции под контролем ВП МО РФ на предприятия военно-промышленного комплекса России , а также работаем в рамках 275 ФЗ с открытием отдельных счетов в уполномоченном банке. Система менеджмента качества компании соответствует требованиям ГОСТ ISO 9001.

Минимальные сроки поставки, гибкие цены, неограниченный ассортимент и индивидуальный подход к клиентам являются основой для выстраивания долгосрочного и эффективного сотрудничества с предприятиями радиоэлектронной промышленности, предприятиями ВПК и научно-исследовательскими институтами России.

С нами вы становитесь еще успешнее!

Наши контакты:

Телефон: +7 812 627 14 35

Электронная почта: sales@st-electron.ru

Адрес: 198099, Санкт-Петербург,
Промышленная ул, дом № 19, литера Н,
помещение 100-Н Офис 331