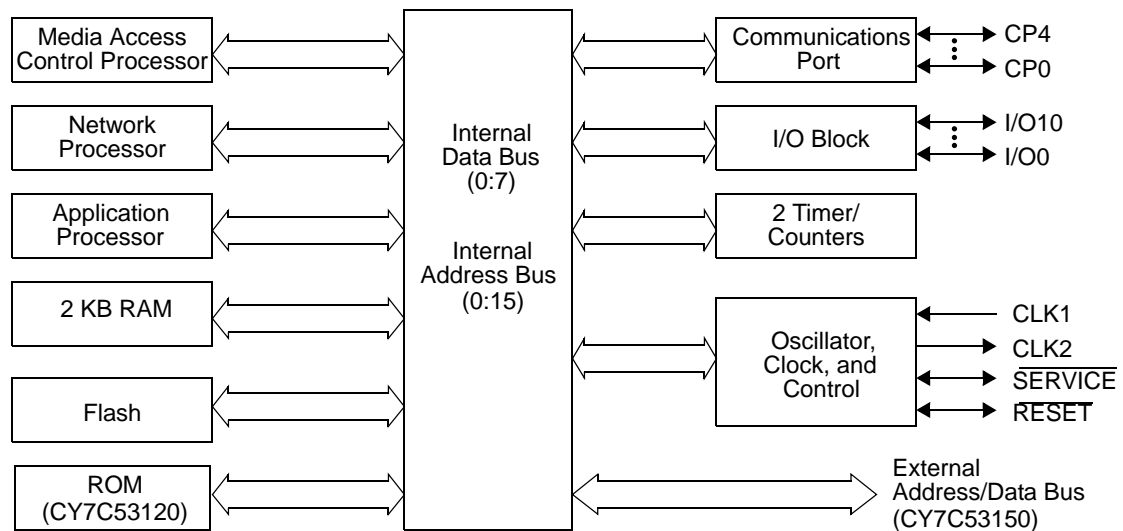


Neuron Chip Network Processor

Features

- Three 8-bit pipelined processors for concurrent processing of application code and network traffic
- 11-pin I/O port programmable in 34 modes for fast application program development
- Two 16-bit timer/counters for measuring and generating I/O device waveforms
- 5-pin communication port that supports direct connect and network transceiver interfaces
- Programmable pull-ups on I/O4–I/O7 and 20 mA sink current on I/O0–I/O3
- Unique 48-bit ID number in every device to facilitate network installation and management
- Low operating current; sleep mode operation for reduced current consumption^[1]
- 0.35 μm flash process technology
- 5.0 V operation
- On-chip LVD circuit to prevent nonvolatile memory corruption during voltage drops
- 2,048 bytes of SRAM for buffering network data, system, and application data storage
- 512 bytes (CY7C53150), 2048 bytes (CY7C53120E2), 4096 bytes (CY7C53120E4) of Flash memory with on-chip charge pump for flexible storage of configuration data and application code
- Addresses up to 58 KB of external memory (CY7C53150)
- 10 KB (CY7C53120E2), 12 KB (CY7C53120E4) of ROM containing LonTalk network protocol firmware
- Maximum input clock operation of 20 MHz (CY7C53150), 10 MHz (CY7C53120E2), 40 MHz (CY7C53120E4) over a –40°C to 85°C^[2] temperature range
- 64-pin TQFP package (CY7C53150)
- 32-pin SOIC or 44-pin TQFP package (CY7C53120)

Logic Block Diagram



Notes

1. Rare combinations of wake-up events occurring during the go to sleep sequence could produce unexpected sleep behavior. See the [Neuron Technical Reference Manual](#) for more details.
2. Maximum Junction Temperature is 105°C. $T_{\text{Junction}} = T_{\text{Ambient}} + V \cdot \theta_{\text{JA}}$. 32-pin SOIC $\theta_{\text{JA}} = 51\text{C/W}$. 44-pin TQFP $\theta_{\text{JA}} = 43\text{C/W}$. 64-pin TQFP $\theta_{\text{JA}} = 44\text{C/W}$.

Contents

Functional Description	3	External Memory Interface Timing —	
Pin Configurations	3	CY7C53150, $V_{DD} \pm 10\%$	9
Pin Descriptions	5	Differential Transceiver Electrical Characteristics	9
Memory Usage	6	Ordering Information	11
Flash Memory Retention and Endurance	6	Ordering Code Definitions	12
40 MHz 3120 Operation	6	Package Diagrams	13
Low Voltage Inhibit Operation	6	Acronyms	16
Communications Port	6	Document Conventions	16
Programmable Hysteresis Values	7	Units of Measure	16
Programmable Glitch Filter Values	7	Document History Page	17
Receiver	7	Sales, Solutions, and Legal Information	18
Differential Receiver	7	Worldwide Sales and Design Support	18
Electrical Characteristics	8	Products	18
LVI Trip Point (V_{DD})	8	PSoC Solutions	18

Functional Description

The CY7C531x0 Neuron chip implements a node for LonWorks distributed intelligent control networks. It incorporates, on a single chip, the necessary communication and control functions, both in hardware and firmware, that facilitate the design of a LonWorks node.

The CY7C531x0 contains a very flexible 5-pin communication port that can be configured to interface with a wide variety of media transceivers at a wide range of data rates. The most common transceiver types are twisted-pair, powerline, RF, IR, fiber-optics, and coaxial.

The CY7C531x0 is manufactured using state of the art 0.35 μm Flash technology, providing to designers the most cost-effective Neuron chip solution.

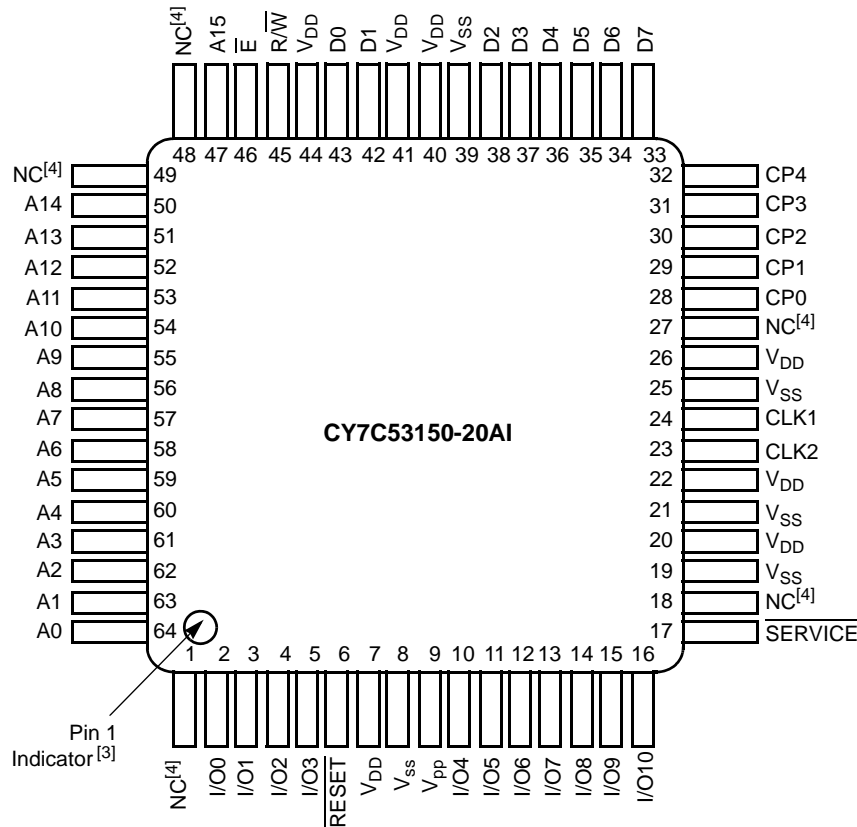
Services at every layer of the OSI networking reference model are implemented in the LonTalk firmware based protocol stored in 10-KB ROM (CY7C53120E2), 12-KB ROM (CY7C53120E4), or off-chip memory (CY7C53150). The firmware also contains 34 preprogrammed I/O drivers, greatly simplifying application programming. The application program is stored in the Flash memory (CY7C53120) and/or off-chip memory (CY7C53150), and may be updated by downloading over the network.

The CY7C53150 incorporates an external memory interface that can address up to 64 KB with 6 KB of the address space mapped internally. LonWorks nodes that require large application programs can take advantage of this external memory capability.

The CY7C53150 Neuron chip is an exact replacement for the Motorola MC143150Bx and Toshiba TMPN3150B1 devices. The CY7C53120E2 Neuron chip is an exact replacement for the Motorola MC143120E2 device since it contains the same firmware in ROM.

Pin Configurations

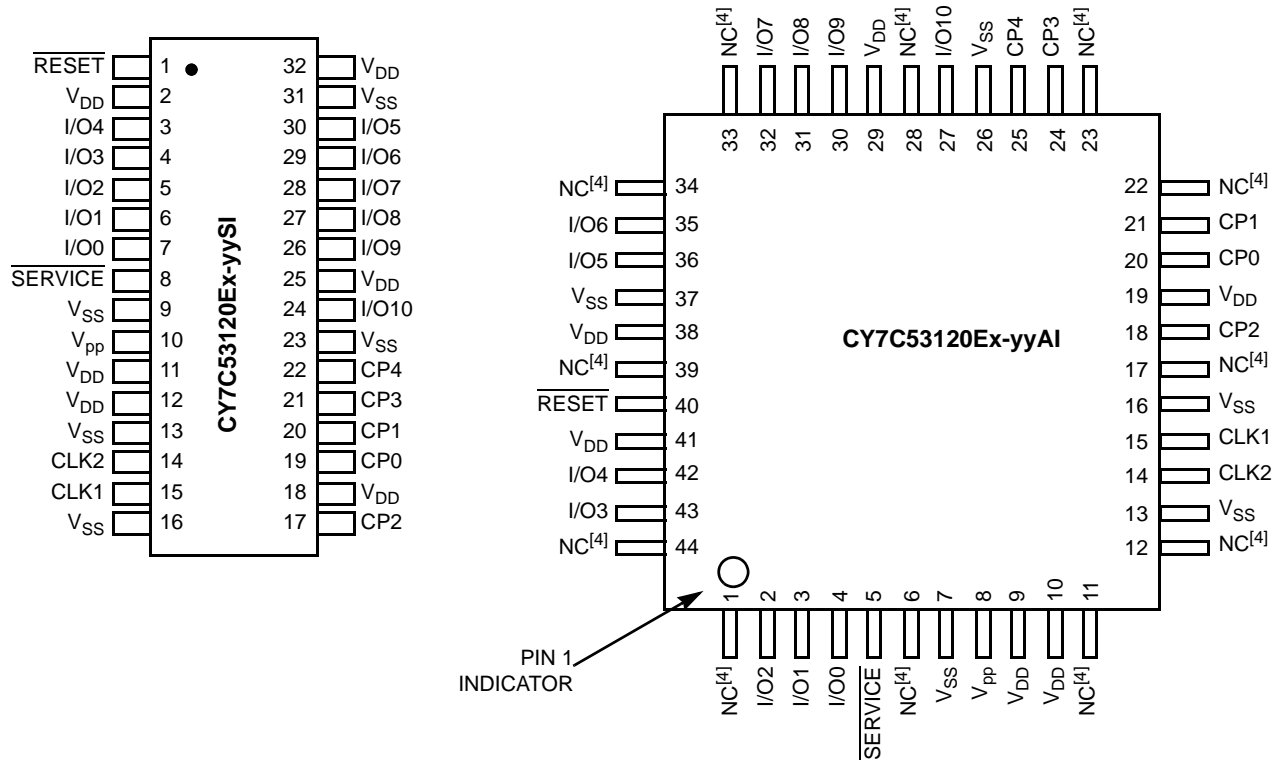
Figure 1. CY7C53150 64-Pin Thin Quad Flat Pack



Notes

- 3. The smaller dimple at the bottom left of the marking indicates pin 1.
- 4. No Connect (NC) — Must not be used. (These pins may be used for internal testing.)

Figure 2. 32-Pin SOIC and 44-Pin QFP



Pin Descriptions

Pin Name	I/O	Pin Function	CY7C53150 TQFP-64 Pin No.	CY7C53120xx SOIC-32 Pin No.	CY7C53120xx TQFP-44 Pin No.
CLK1	Input	Oscillator connection or external clock input.	24	15	15
CLK2	Output	Oscillator connection. Leave open when external clock is input to CLK1. Maximum of one external load.	23	14	14
RESET	I/O (Built-In Pull up)	Reset pin (active LOW). Note The allowable external capacitance connected to the RESET pin is 100–1000 pF.	6	1	40
SERVICE	I/O (Built-In Configurable Pull up)	Service pin (active LOW). Alternates between input and output at a 76-Hz rate.	17	8	5
I/O0–I/O3	I/O	Large current-sink capacity (20 mA). General I/O port. The output of timer/counter 1 may be routed to I/O0. The output of Timer/Counter 2 may be routed to I/O1.	2, 3, 4, 5	7, 6, 5, 4	4, 3, 2, 43
I/O4–I/O7	I/O (Built-In Configurable Pull ups)	General I/O port. The input to Timer/Counter 1 may be derived from one of I/O4–I/O7. The input to Timer/Counter 2 may be derived from I/O4.	10, 11, 12, 13	3, 30, 29, 28	42, 36, 35, 32
I/O8–I/O10	I/O	General I/O port. May be used for serial communication under firmware control.	14, 15, 16	27, 26, 24	31, 30, 27
D0–D7	I/O	Bidirectional memory data bus.	43, 42, 38, 37, 36, 35, 34, 33	N/A	N/A
R/W	Output	Read/write control output for external memory.	45	N/A	N/A
E	Output	Enable clock control output for external memory.	46	N/A	N/A
A0–A15	Output	Memory address output port.	64, 63, 62, 61, 60, 59, 58, 57, 56, 55, 54, 53, 52, 51, 50, 47	N/A	N/A
V _{DD}	Input	Power input (5 V nom). All V _{DD} pins must be connected together externally.	7, 20, 22, 26, 40, 41, 44	2, 11, 12, 18, 25, 32	9, 10, 19, 29, 38, 41
V _{SS}	Input	Power input (0 V, GND). All V _{SS} pins must be connected together externally.	8, 19, 21, 25, 39	9, 13, 16, 23, 31	7, 13, 16, 26, 37
V _{pp}	Input	In-circuit test mode control. If V _{pp} is high when RESET is asserted, the I/O, address and data buses become Hi-Z.	9	10	8
CP0–CP4	Communication Network Interface	Bidirectional port supporting communications in three modes.	28, 29, 30, 31, 32	19, 20, 17, 21, 22	20, 21, 18, 24, 25
NC	—	No connect. Must not be connected on the user's PC board, since they may be connected internal to the chip.	1, 18, 27, 48, 49	N/A	1, 6, 11, 12, 17, 22, 23, 28, 33, 34, 39, 44

Memory Usage

All Neuron chips require system firmware to be present when they are powered up. In the case of the CY7C53120 family, this firmware is preprogrammed in the factory in an on-chip ROM. In the case of the CY7C53150, the system firmware must be present in the first 16 KB of an off-chip nonvolatile memory such as Flash, EPROM, EEPROM, or NVRAM. These devices must be programmed in a device programmer before board assembly. Because the system firmware implements the network protocol, it cannot itself be downloaded over the network.

For the CY7C53120 family, the user application program is stored in on-chip Flash memory. It may be programmed using a device programmer before board assembly, or may be downloaded and updated over the LonTalk network from an external network management tool.

For the CY7C53150, the user application program is stored in on-chip Flash Memory and also in off-chip memory. The user program may initially be programmed into the off-chip memory device using a device programmer.

Flash Memory Retention and Endurance

Data and code stored in Flash Memory is guaranteed to be retained for at least 10 years for programming temperature range of -25°C to 85°C .

The Flash Memory can typically be written 100,000 times without any data loss.^[5] An erase/write cycle takes 20 ms. The system firmware extends the effective endurance of Flash memory in two ways. If the data being written to a byte of Flash memory is the same as the data already present in that byte, the firmware does not perform the physical write. So for example, an application that sets its own address in Flash memory after every reset does not use up any write cycles if the address has not changed. In addition, system firmware version 13.1 or higher is able to aggregate writes to eight successive address locations into a single write for CY7C53120E4 devices. For example, if 4 KB of code is downloaded over the network, the firmware would execute only 512 writes rather than 4,096.

40 MHz 3120 Operation

The CY7C53120E4-40 device was designed to run at frequencies up to 40 MHz using an external clock oscillator. It is important to note that external oscillators may typically take on the order of 5 ms to stabilize after power-up. The Neuron chip must be held in reset until the CLK1 input is stable. With some oscillators, this may require the use of a reset-stretching Low-Voltage Detection chip/circuit. Check the oscillator vendor's specification for more information about start-up stabilization times.

Low Voltage Inhibit Operation

The on-chip Low-voltage Inhibit circuit trips the Neuron chip whenever the V_{DD} input is less than 4.1 ± 0.3 V. This feature prevents the corruption of nonvolatile memory during voltage drops.

Communications Port

The Neuron chip includes a versatile 5-pin communications port that can be configured in three different ways. In Single-Ended Mode, pin CP0 is used for receiving serial data, pin CP1 for transmitting serial data, and pin CP2 enables an external transceiver. Data is communicated using Differential Manchester encoding.

In Special Purpose Mode, pin CP0 is used for receiving serial data, pin CP1 for transmitting serial data, pin CP2 transmits a bit clock, and pin CP4 transmits a frame clock for use by an external intelligent transceiver. In this mode, the external transceiver is responsible for encoding and decoding the data stream.

In Differential Mode, pins CP0 and CP1 form a differential receiver with built-in programmable hysteresis and low pass filtering. Pins CP2 and CP3 form a differential driver. Serial data is communicated using Differential Manchester encoding. The following tables describe the communications port when used in Differential Mode.

Note

5. For detailed information about data retention after 100K cycles, see the Cypress qualification report.

Programmable Hysteresis Values

(Expressed as differential peak-to-peak voltages in terms of V_{DD})

Hysteresis ^[6]	V_{hys} Min	V_{hys} Typ	V_{hys} Max
0	0.019 V_{DD}	0.027 V_{DD}	0.035 V_{DD}
1	0.040 V_{DD}	0.054 V_{DD}	0.068 V_{DD}
2	0.061 V_{DD}	0.081 V_{DD}	0.101 V_{DD}
3	0.081 V_{DD}	0.108 V_{DD}	0.135 V_{DD}
4	0.101 V_{DD}	0.135 V_{DD}	0.169 V_{DD}
5	0.121 V_{DD}	0.162 V_{DD}	0.203 V_{DD}
6	0.142 V_{DD}	0.189 V_{DD}	0.236 V_{DD}
7	0.162 V_{DD}	0.216 V_{DD}	0.270 V_{DD}

Programmable Glitch Filter Values^[7]

(Receiver (end-to-end) filter values expressed as transient pulse suppression times)

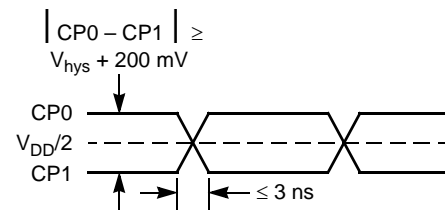
Filter (F)	Min	Typ	Max	Unit
0	10	75	140	ns
1	120	410	700	ns
2	240	800	1350	ns
3	480	1500	2600	ns

Receiver^[8] (End-to-End) Absolute Asymmetry

(Worst case across hysteresis)

Filter (F)	Max ($t_{PLH} - t_{PHL}$)	Unit
0	35	ns
1	150	ns
2	250	ns
3	400	ns

Figure 3. Receiver Input Waveform



Differential Receiver (End-to-End) Absolute Symmetry^[9, 10]

Filter (F)	Hysteresis (H)	Max ($t_{PLH} - t_{PHL}$)	Unit
0	0	24	ns

Notes

- 6. Hysteresis values are on the condition that the input signal swing is 200 mV greater than the programmed value.
- 7. Must be disabled if data rate is 1.25 Mbps or greater.
- 8. Receiver input, $V_D = V_{CP0} - V_{CP1}$, at least 200 mV greater than hysteresis levels. See Figure 3.
- 9. CPO and CP1 inputs each 0.60 $V_p - p$, 1.25 MHz sine wave 180° out of phase with each other as shown in Figure 10. $V_{DD} = 5.00 V \pm 5\%$.
- 10. t_{PLH} : Time from input switching states from low to high to output switching states. t_{PHL} : Time from input switching states from high to low to output switching states.

Electrical Characteristics ($V_{DD} = 4.5\text{ V} - 5.5\text{ V}$)

Parameter	Description	Min	Typ	Max	Unit
V_{IL}	Input Low Voltage I/O0–I/O10, CP0, CP3, CP4, $\overline{\text{SERVICE}}$, D0–D7, $\overline{\text{RESET}}$ CP0, CP1 (Differential)	— —	— —	0.8 Programmable	V
V_{IH}	Input High Voltage I/O0–I/O10, CP0, CP3, CP4, $\overline{\text{SERVICE}}$, D0–D7, $\overline{\text{RESET}}$ CP0, CP1 (Differential)	2.0 Programmable	— —	— —	V
V_{OL}	Low-Level Output Voltage $I_{out} < 20\ \mu\text{A}$ Standard Outputs ($I_{OL} = 1.4\ \text{mA}$) ^[11] High Sink (I/O0–I/O3), $\overline{\text{SERVICE}}$, $\overline{\text{RESET}}$ ($I_{OL} = 20\ \text{mA}$) High Sink (I/O0–I/O3), $\overline{\text{SERVICE}}$, $\overline{\text{RESET}}$ ($I_{OL} = 10\ \text{mA}$) Maximum Sink (CP2, CP3) ($I_{OL} = 40\ \text{mA}$) Maximum Sink (CP2, CP3) ($I_{OL} = 15\ \text{mA}$)	— — — — — —	— — — — — —	0.1 0.4 0.8 0.4 1.0 0.4	V
V_{OH}	High-Level Output Voltage $I_{out} < 20\ \mu\text{A}$ Standard Outputs ($I_{OH} = -1.4\ \text{mA}$) ^[11] High Sink (I/O0 – I/O3), $\overline{\text{SERVICE}}$ ($I_{OH} = -1.4\ \text{mA}$) Maximum Source (CP2, CP3) ($I_{OH} = -40\ \text{mA}$) Maximum Source (CP2, CP3) ($I_{OH} = -15\ \text{mA}$)	$V_{DD} - 0.1$ $V_{DD} - 0.4$ $V_{DD} - 0.4$ $V_{DD} - 1.0$ $V_{DD} - 0.4$	— — — — —	— — — — —	V
V_{hys}	Hysteresis (Excluding CLK1)	175	—	—	mV
I_{in}	Input Current (Excluding Pull Ups) (V_{SS} to V_{DD}) ^[12]	—	—	± 10	μA
I_{pu}	Pull Up Source Current ($V_{out} = 0\ \text{V}$, Output = High-Z) ^[12]	60	—	260	μA
I_{DD}	Operating Mode Supply Current ^[13] 40-MHz Clock ^[14] 20-MHz Clock 10-MHz Clock 5-MHz Clock 2.5-MHz Clock 1.25-MHz Clock 0.625-MHz Clock ^[14]	— — — — — — —	— — — — — — —	55 32 20 12 8 7 3	mA
$I_{DDsleep}$	Sleep Mode Supply Current ^[1, 13]	—	—	100	μA

LVI Trip Point (V_{DD})

Part Number	Min	Typ	Max	Unit
CY7C53120E2, CY7C53120E4, and CY7C53150	3.8	4.1	4.4	V

Notes

11. Standard outputs are I/O4–I/O10, CP0, CP1, and CP4. ($\overline{\text{RESET}}$ is an open drain input/output. CLK2 must have $\leq 15\ \text{pF}$ load.) For CY7C53150, standard outputs also include A0–A15, D0–D7, E, and R/W.
12. I/O4–I/O7 and $\overline{\text{SERVICE}}$ have configurable pull ups. $\overline{\text{RESET}}$ has a permanent pull up.
13. Supply current measurement conditions: $V_{DD} = 5\ \text{V}$, all outputs under no-load conditions, all inputs $\leq 0.2\ \text{V}$ or $\geq (V_{DD} - 0.2\ \text{V})$, configurable pull ups off, crystal oscillator clock input, differential receiver disabled. The differential receiver adds approximately $200\ \mu\text{A}$ typical and $600\ \mu\text{A}$ maximum when enabled. It is enabled on either of the following conditions:
 - Neuron chip in Operating mode **and** Comm Port in Differential mode.
 - Neuron chip in Sleep mode **and** Comm Port in Differential mode **and** Comm Port Wake-up not masked.
14. Supported through an external oscillator only.

External Memory Interface Timing — CY7C53150, $V_{DD} \pm 10\%$ ($V_{DD} = 4.5\text{ V to }5.5\text{ V}$, $T_A = -40^\circ\text{C to }+85^\circ\text{C}$ [2])

Parameter	Description	Min	Max	Unit
t_{cyc}	Memory Cycle Time (System Clock Period) ^[15]	100	3200	ns
PW_{EH}	Pulse Width, \bar{E} High ^[16]	$t_{cyc}/2 - 5$	$t_{cyc}/2 + 5$	ns
PW_{EL}	Pulse Width, \bar{E} Low ^[16]	$t_{cyc}/2 - 5$	$t_{cyc}/2 + 5$	ns
t_{AD}	Delay, \bar{E} High to Address Valid ^[20]	—	35	ns
t_{AH}	Address Hold Time After \bar{E} High ^[20]	10	—	ns
t_{RD}	Delay, \bar{E} High to R/W Valid Read ^[20]	—	25	ns
t_{RH}	R/W Hold Time Read After \bar{E} High	5	—	ns
t_{WR}	Delay, \bar{E} High to R/W Valid Write	—	25	ns
t_{WH}	R/W Hold Time Write After \bar{E} High	5	—	ns
t_{DSR}	Read Data Setup Time to \bar{E} High	15	—	ns
t_{DHR}	Data Hold Time Read After \bar{E} High	0	—	ns
t_{DHW}	Data Hold Time Write After \bar{E} High ^[17, 18]	10	—	ns
t_{DDW}	Delay, \bar{E} Low to Data Valid	—	12	ns
t_{DHZ}	Data Three State Hold Time After \bar{E} Low ^[19]	0	—	ns
t_{DDZ}	Delay, \bar{E} High to Data Three-State ^[18]	—	42	ns
t_{acc}	External Memory Access Time ($t_{acc} = t_{cyc} - t_{AD} - t_{DSR}$) at 20-MHz input clock	50	—	ns

Differential Transceiver Electrical Characteristics

Characteristic	Min	Max	Unit
Receiver Common Mode Voltage Range to maintain hysteresis ^[21]	1.2	$V_{DD} - 2.2$	V
Receiver Common Mode Range to operate with unspecified hysteresis	0.9	$V_{DD} - 1.75$	V
Input Offset Voltage	$-0.05 V_{hys} - 35$	$0.05 V_{hys} + 35$	mV
Propagation Delay ($F = 0$, $V_{ID} = V_{hys}/2 + 200\text{ mV}$)	—	230 ns	ns
Input Resistance	5	—	M Ω
Wake-up Time	—	10	μs
Differential Output Impedance for CP2 and CP3 ^[22]	—	35	Ω

Figure 4. Signal Loading for Timing Specifications Unless Otherwise Specified

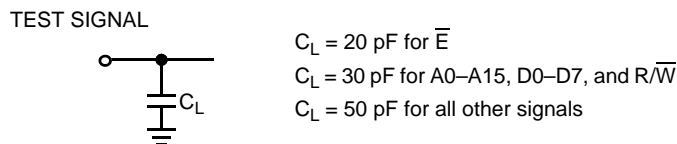
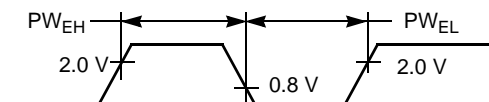


Figure 5. Test Point Levels for \bar{E} Pulse Width Measurements



Notes

15. $t_{cyc} = 2(1/f)$, where f is the input clock (CLK1) frequency (20, 10, 5, 2.5, 1.25, or 0.625 MHz).
16. Refer to Figure 5 for detailed measurement information.
17. The data hold parameter, t_{DHW} , is measured to the disable levels shown in Figure 7, rather than to the traditional data invalid levels.
18. Refer to Figure 8 and Figure 7 for detailed measurement information.
19. The three-state condition is when the device is not actively driving data. Refer to Figure 4 and Figure 7 for detailed measurement information.
20. To meet the timing above for 20-MHz operation, the loading on A0–A15, D0–D7, and R/W is 30 pF. Loading on \bar{E} is 20 pF.
21. Common mode voltage is defined as the average value of the waveform at each input at the time switching occurs.
22. $Z_0 = |V[CP2]-V[CP3]|/40\text{ mA}$ for $4.75 \leq V_{DD} \leq 5.25\text{ V}$.

Figure 6. Drive Levels and Test Point Levels for Timing Specifications Unless Otherwise Specified

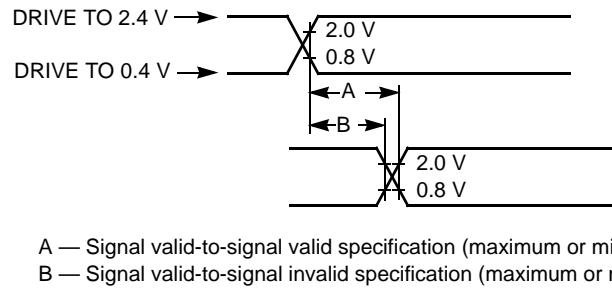


Figure 7. Test Point Levels for Driven-to-Three-State Time Measurements

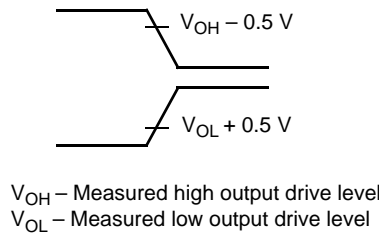


Figure 8. Signal Loading for Driven-to-Three-State Time Measurements

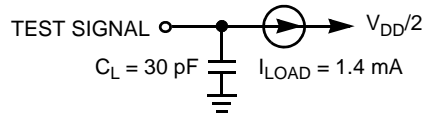


Figure 9. External Memory Interface Timing Diagram

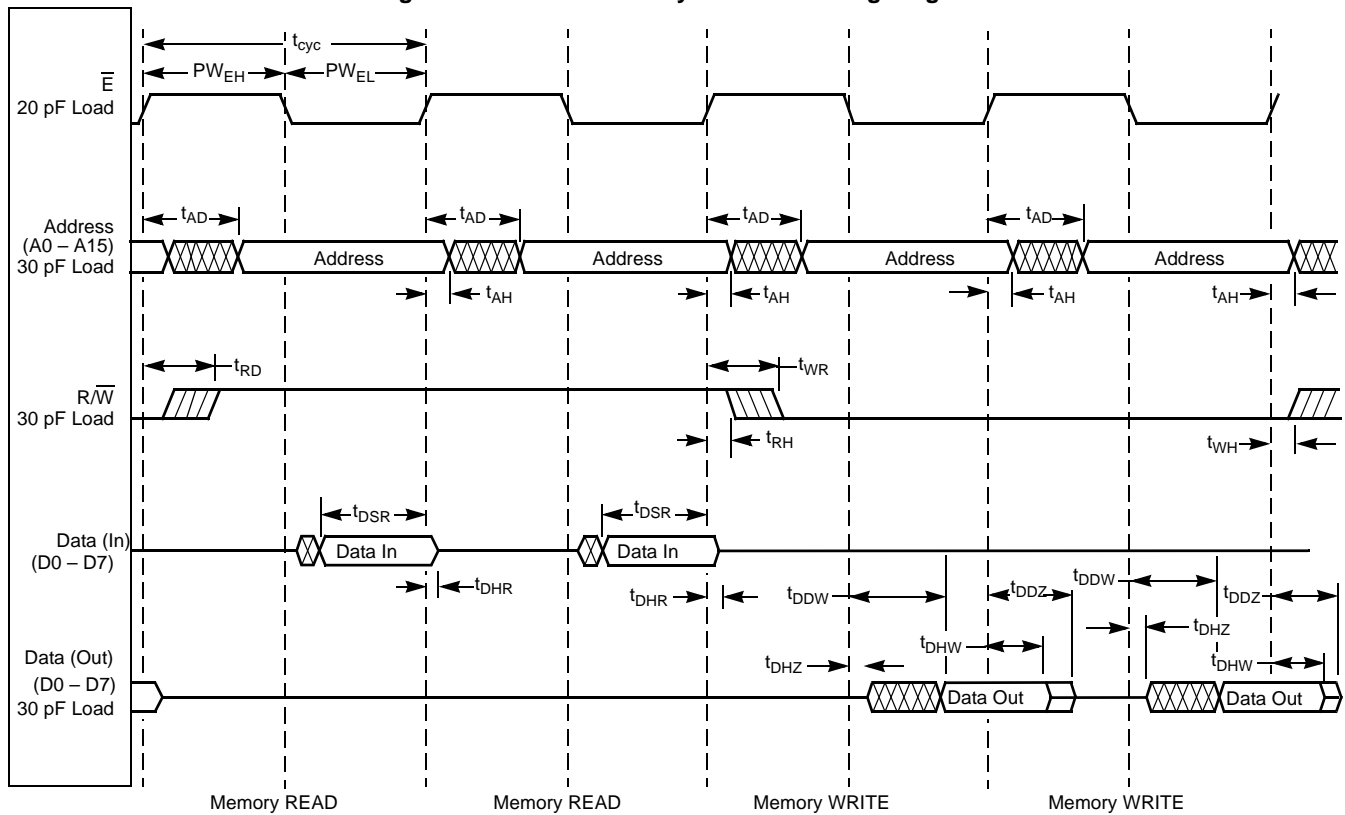
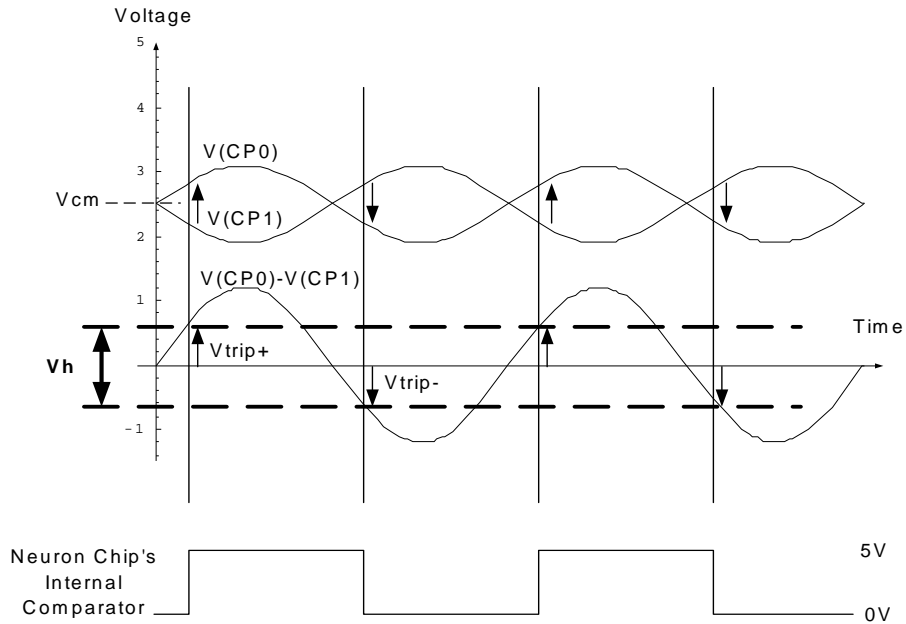


Figure 10. Differential Receiver Input Hysteresis Voltage Measurement Waveforms



$$\text{Common-Mode voltage: } V_{cm} = (V(CP0) + V(CP1)) / 2$$

$$\text{Hysteresis Voltage: } V_h = [V_{trip+}] - [V_{trip-}]$$

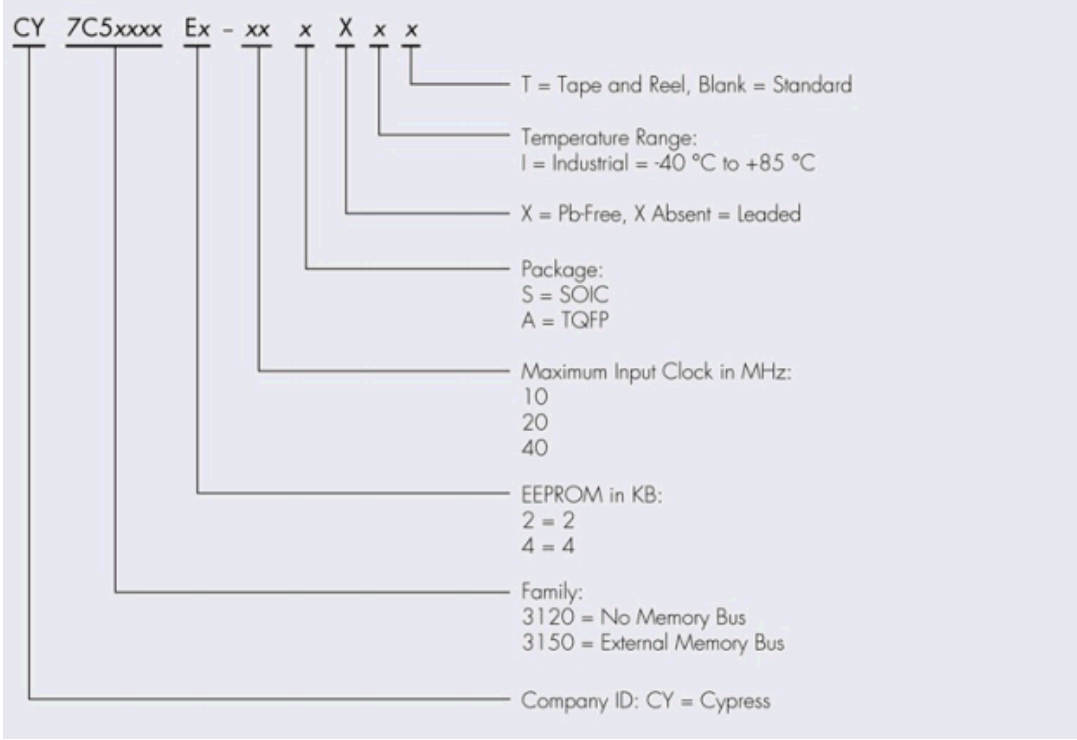
Ordering Information^[23]

Part Number	Flash (KB)	ROM (KB)	Firmware Version	Max Input Clock (MHz)	Package Name	Package Type
CY7C53150-20AXI	0.5	0	N/A	20 ^[25]	A64SA	64-pin thin plastic quad flat pack
CY7C53150-20AXIT	0.5	0	N/A	20 ^[25]	A64SA	64-pin thin plastic quad flat pack tape and reel
CY7C53120E2-10SXI ^[24]	2	10	6	10	S32.45	32-pin (450-mil) molded SOIC
CY7C53120E4-40SXI ^[26]	4	12	13	40	S32.45	32-pin (450-mil) molded SOIC
CY7C53120E4-40SXIT	4	12	13	40	S32.45	32-pin (450-mil) molded SOIC tape and reel
CY7C53120E4-40AXI ^[26]	4	12	13	40	A44	44-pin thin plastic quad flat pack

Notes

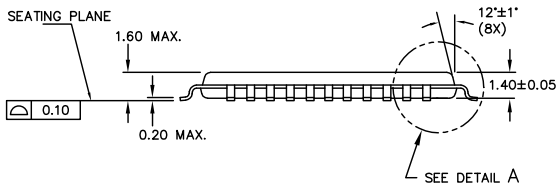
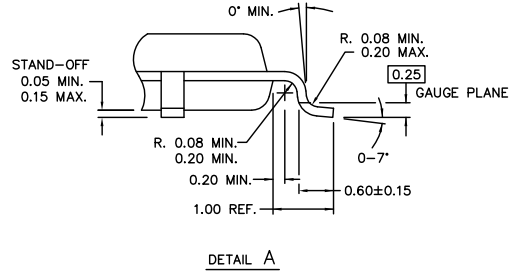
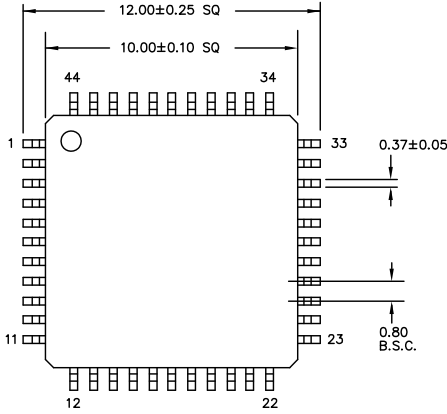
- 23. All parts contain 2 KB of SRAM.
- 24. CY7C53120E2 firmware is bit-for-bit identical with Motorola MC143120E2 firmware.
- 25. CY7C53150 may be used with 20-MHz input clock only if the firmware in external memory is version 13 or later.
- 26. CY7C53120E4 requires upgraded LonBuilder® and NodeBuilder® software.

Ordering Code Definitions



Package Diagrams

Figure 11. 44-Pin Thin Plastic Quad Flat Pack A44



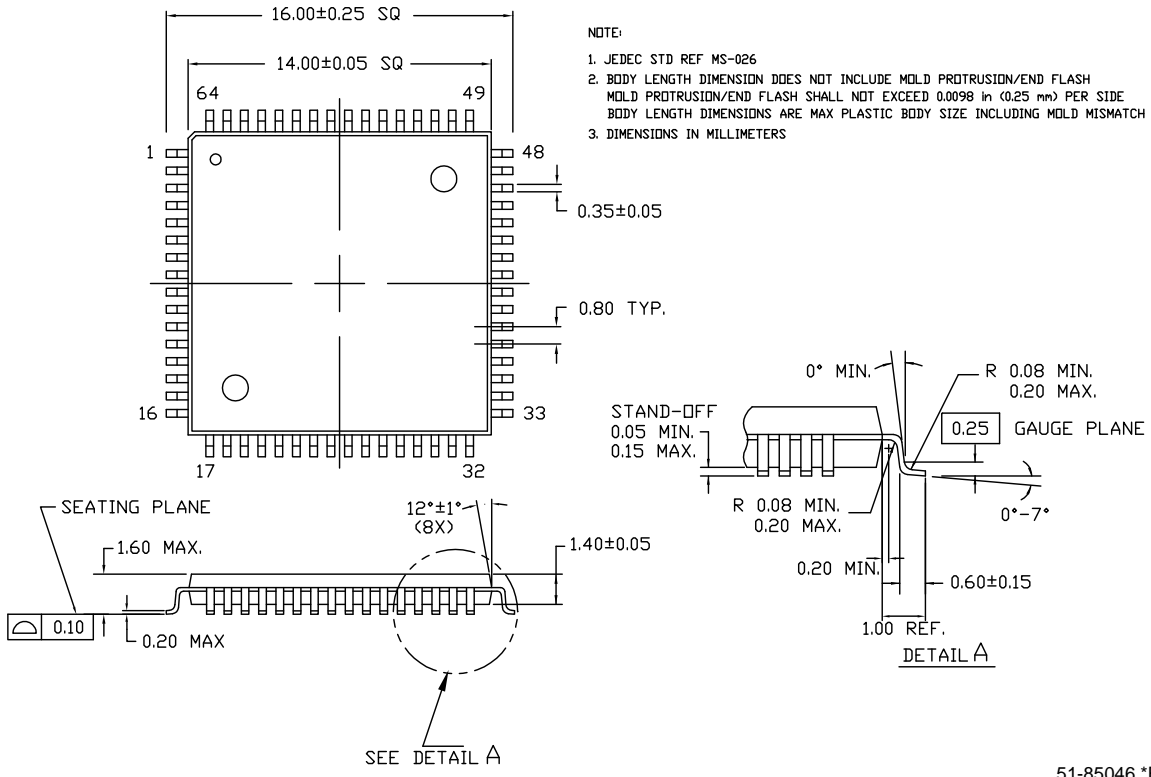
NOTE:

1. JEDEC STD REF MS-026
2. BODY LENGTH DIMENSION DOES NOT INCLUDE MOLD PROTRUSION/END FLASH
MOLD PROTRUSION/END FLASH SHALL NOT EXCEED 0.0098 in (0.25 mm) PER SIDE
BODY LENGTH DIMENSIONS ARE MAX PLASTIC BODY SIZE INCLUDING MOLD MISMATCH
3. DIMENSIONS IN MILLIMETERS

51-85064 *E

Package Diagrams (continued)

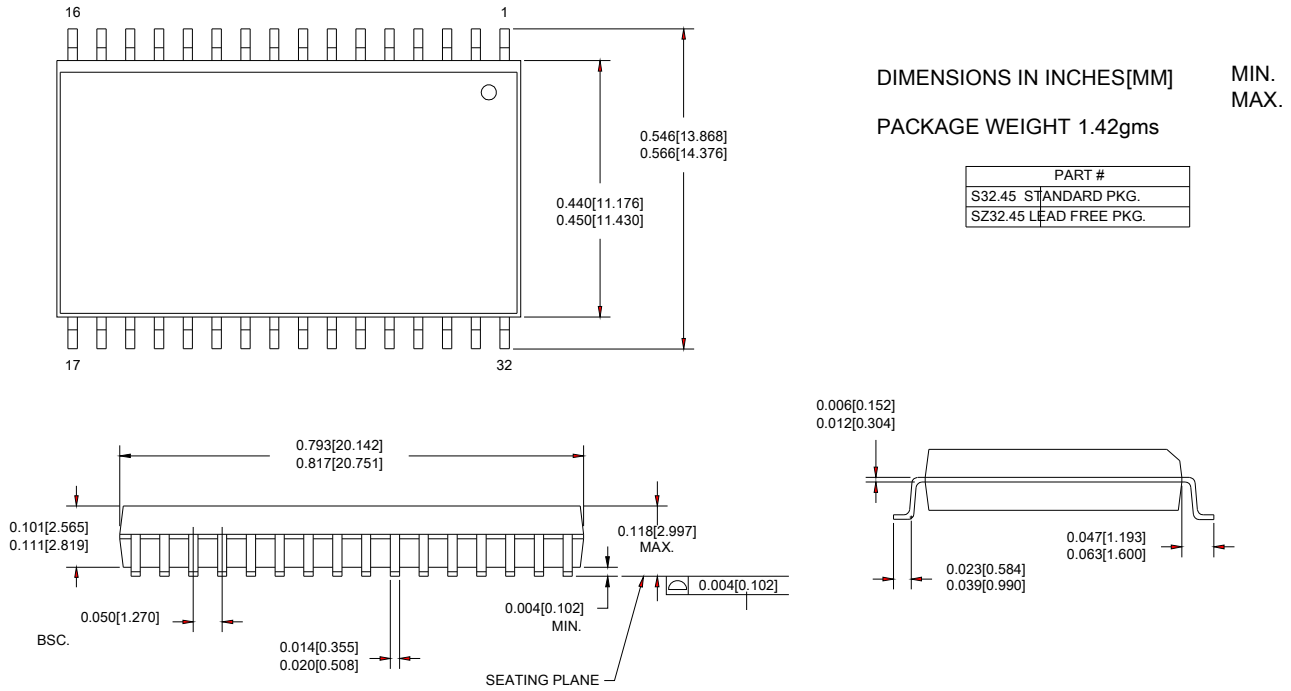
Figure 12. 64-Pin Thin Plastic Quad Flat Pack (14 x 14 x 1.4 mm) A64SA



51-85046 *E

Package Diagrams (continued)

Figure 13. 32-Pin (450-Mil) SOIC S32.45



51-85081 *D

Acronyms

Acronym	Description	Acronym	Description
AC	alternating current	LVD	low voltage detect
CMOS	complementary metal oxide semiconductor	PCB	printed circuit board
DC	direct current	PSoC [®]	Programmable System-on-Chip
EEPROM	electrically erasable programmable read-only memory	SOIC	small-outline integrated circuit
GPIO	general purpose I/O	TQFP	thin quad flat pack

Document Conventions

Units of Measure

Table 1 lists the units of measures.

Table 1. Units of Measure

Symbol	Unit of Measure	Symbol	Unit of Measure
°C	degree Celsius	nA	nanoampere
pF	picofarad	μs	microsecond
Hz	Hertz	ms	millisecond
kHz	kilohertz	ns	nanosecond
MHz	megahertz	V	volts
kΩ	kilohm	W	watt
Ω	ohm	mm	millimeter
μA	microampere	%	percent
mA	milliampere		

Document History Page

Document Title: CY7C53150, CY7C53120 Neuron Chip Network Processor Document Number: 38-10001				
Revision	ECN	Orig. of Change	Submission Date	Description of Change
**	111472	DSG	11/28/01	Change from Spec number: 38-00891 to 38-10001
*A	111990	CFB	02/06/02	Changed the max. current values Specified the Flash endurance of "100K typical" with reference to qual report Fixed some incorrect footnotes and figure numbering
*B	114465	KBO	04/24/02	Added Sleep Metastability footnote Added Junction Temperature footnote Added maximum sleep current footnote Changed "EEPROM" references to "Flash Memory"
*C	115269	KBO	04/26/02	Repositioned Note 3
*D	124450	KBO	03/25/03	Removed Note 2 regarding data retention Removed Note 16 regarding max sleep current Changed the system image firmware version from V12 to V13.1
*E	837840	BOO	3/14/07	Implemented new template. Modified the Ordering Information table; added an "X" to indicate the part numbers are Pb-free; two tape-and-reel options are available now.
*F	2811866	TGE	11/20/2009	Updated template. Modified Note 1 to add reference to the Neuron TRM.
*G	2899886	VED	03/26/10	Removed inactive part from the ordering information table. Updated package diagrams, links in Sales, Solutions and Legal Information.
*H	3271364	REID/NJF/ UVS/PKAR	06/01/11	1) Revised package diagram specs 51-85064 and 51-85046 to *E. 2) Added Ordering code definitions, Acronyms, and Units of measure tables. 3) Updated Ordering Information table: Firmware version for the following parts changed from 12 to 13. CY7C53120E4-40SXI CY7C53120E4-40SXIT CY7C53120E4-40AXI
*I	3540297	GNKK	03/02/2012	Sunset review; no content updates.

Sales, Solutions, and Legal Information

Worldwide Sales and Design Support

Cypress maintains a worldwide network of offices, solution centers, manufacturer's representatives, and distributors. To find the office closest to you, visit us at [Cypress Locations](#).

Products

Automotive	cypress.com/go/automotive
Clocks & Buffers	cypress.com/go/clocks
Interface	cypress.com/go/interface
Lighting & Power Control	cypress.com/go/powerpsoc cypress.com/go/plc
Memory	cypress.com/go/memory
Optical & Image Sensing	cypress.com/go/image
PSoC	cypress.com/go/psoc
Touch Sensing	cypress.com/go/touch
USB Controllers	cypress.com/go/USB
Wireless/RF	cypress.com/go/wireless

PSoC Solutions

psoc.cypress.com/solutions
PSoC 1 | PSoC 3 | PSoC 5

© Cypress Semiconductor Corporation, 2001-2012. The information contained herein is subject to change without notice. Cypress Semiconductor Corporation assumes no responsibility for the use of any circuitry other than circuitry embodied in a Cypress product. Nor does it convey or imply any license under patent or other rights. Cypress products are not warranted nor intended to be used for medical, life support, life saving, critical control or safety applications, unless pursuant to an express written agreement with Cypress. Furthermore, Cypress does not authorize its products for use as critical components in life-support systems where a malfunction or failure may reasonably be expected to result in significant injury to the user. The inclusion of Cypress products in life-support systems application implies that the manufacturer assumes all risk of such use and in doing so indemnifies Cypress against all charges.

Any Source Code (software and/or firmware) is owned by Cypress Semiconductor Corporation (Cypress) and is protected by and subject to worldwide patent protection (United States and foreign), United States copyright laws and international treaty provisions. Cypress hereby grants to licensee a personal, non-exclusive, non-transferable license to copy, use, modify, create derivative works of, and compile the Cypress Source Code and derivative works for the sole purpose of creating custom software and or firmware in support of licensee product to be used only in conjunction with a Cypress integrated circuit as specified in the applicable agreement. Any reproduction, modification, translation, compilation, or representation of this Source Code except as specified above is prohibited without the express written permission of Cypress.

Disclaimer: CYPRESS MAKES NO WARRANTY OF ANY KIND, EXPRESS OR IMPLIED, WITH REGARD TO THIS MATERIAL, INCLUDING, BUT NOT LIMITED TO, THE IMPLIED WARRANTIES OF MERCHANTABILITY AND FITNESS FOR A PARTICULAR PURPOSE. Cypress reserves the right to make changes without further notice to the materials described herein. Cypress does not assume any liability arising out of the application or use of any product or circuit described herein. Cypress does not authorize its products for use as critical components in life-support systems where a malfunction or failure may reasonably be expected to result in significant injury to the user. The inclusion of Cypress' product in a life-support systems application implies that the manufacturer assumes all risk of such use and in doing so indemnifies Cypress against all charges.

Use may be limited by and subject to the applicable Cypress software license agreement.



Стандарт Электрон Связь

Мы молодая и активно развивающаяся компания в области поставок электронных компонентов. Мы поставляем электронные компоненты отечественного и импортного производства напрямую от производителей и с крупнейших складов мира.

Благодаря сотрудничеству с мировыми поставщиками мы осуществляем комплексные и плановые поставки широчайшего спектра электронных компонентов.

Собственная эффективная логистика и склад в обеспечивает надежную поставку продукции в точно указанные сроки по всей России.

Мы осуществляем техническую поддержку нашим клиентам и предпродажную проверку качества продукции. На все поставляемые продукты мы предоставляем гарантию .

Осуществляем поставки продукции под контролем ВП МО РФ на предприятия военно-промышленного комплекса России , а также работаем в рамках 275 ФЗ с открытием отдельных счетов в уполномоченном банке. Система менеджмента качества компании соответствует требованиям ГОСТ ISO 9001.

Минимальные сроки поставки, гибкие цены, неограниченный ассортимент и индивидуальный подход к клиентам являются основой для выстраивания долгосрочного и эффективного сотрудничества с предприятиями радиоэлектронной промышленности, предприятиями ВПК и научно-исследовательскими институтами России.

С нами вы становитесь еще успешнее!

Наши контакты:

Телефон: +7 812 627 14 35

Электронная почта: sales@st-electron.ru

Адрес: 198099, Санкт-Петербург,
Промышленная ул, дом № 19, литера Н,
помещение 100-Н Офис 331