



Low-Voltage, Single-Supply Multiplexer and Switch

MAX4524/MAX4525

General Description

The MAX4524/MAX4525 are low-voltage, single-supply CMOS analog switches configured as a 4-channel multiplexer/demultiplexer (MAX4524) and a double-pole/double-throw (DPDT) switch (MAX4525). Both have an inhibit input to simultaneously open all signal paths.

These devices operate from a single supply of +2V to +12V and are optimized for operation with +3V or +5V supplies. On-resistance is 200Ω with a +5V supply and 500Ω with a +3V supply. Each switch can handle Rail-to-Rail analog signals. The off-leakage current is only 2nA at +25°C or 20nA at +85°C.

All digital inputs have 0.8V to 2.4V logic thresholds, ensuring TTL/CMOS-logic compatibility when using a single +5V supply.

Applications

- Battery-Operated Equipment
- Audio and Video Signal Routing
- Low-Voltage Data-Acquisition Systems
- Communications Circuits

Features

- ◆ Tiny 10-Pin TDFN Package
- ◆ Single-Supply Operation from +2V to +12V
- ◆ 200Ω On-Resistance with +5V Supply
- ◆ 500Ω On-Resistance with +3V Supply
- ◆ Guaranteed 8Ω On-Resistance Match at +5V
- ◆ Guaranteed 2nA Max On-Leakage at +5V
- ◆ TTL/CMOS-Logic Compatible

Ordering Information

| PART | TEMP RANGE | PIN-PACKAGE | TOP MARK |
|------------|----------------|-----------------------------|----------|
| MAX4524CUB | 0°C to +70°C | 10 μMAX | — |
| MAX4524C/D | 0°C to +70°C | Dice* | — |
| MAX4524EUB | -40°C to +85°C | 10 μMAX | — |
| MAX4524ETB | -40°C to +85°C | 10 TDFN-EP** (3mm x 3mm) | AAP |
| MAX4525CUB | 0°C to +70°C | 10 μMAX | — |
| MAX4525C/D | 0°C to +70°C | Dice* | — |
| MAX4525EUB | -40°C to +85°C | 10 μMAX | — |
| MAX4525ETB | -40°C to +85°C | 10 TDFN-EP** (3mm x 3mm) | AAQ |

*Contact factory for availability.

**EP = Exposed Pad.

Pin Configurations/Functional Diagrams/Truth Tables

TOP VIEW

MAX4524
μMAX

MAX4525
μMAX

TDFN

TDFN

MAX4525

| INH | ADD | ON SWITCH |
|-----|-----|-----------------------|
| 1 | X | NONE |
| 0 | 0 | COMA-NCA, COMB-NCB |
| 0 | 1 | COMA-NOA, COMB-NOB |

MAX4524

| INH | ADDB | ADDA | ON SWITCH |
|-----|------|------|-----------|
| 1 | X | X | NONE |
| 0 | 0 | 0 | COM-NO0 |
| 0 | 0 | 1 | COM-NO1 |
| 0 | 1 | 0 | COM-NO2 |
| 0 | 1 | 1 | COM-NO3 |

X = DON'T CARE



Low-Voltage, Single-Supply Multiplexer and Switch

ABSOLUTE MAXIMUM RATINGS

(Voltages Referenced to GND)

| | |
|--|----------------------|
| V+ | -0.3V, +13V |
| Voltage into any terminal (Note 1) | -0.3V to (V+ + 0.3V) |
| Continuous Current into any Terminal | ±20mA |
| Peak Current, NO, NC or COM_ (pulsed at 1ms, 10% duty cycle) | ±40mA |
| ESD per Method 3015.7 | >2000V |

Continuous Power Dissipation (T_A = +70°C)

| | |
|--|-----------------|
| 10-Pin μMAX (derate 4.1mW/°C above +70°C) | 330mW |
| 10-Pin TDFN (derate 24.4mW/°C above +70°C) | 1951mW |
| Operating Temperature Ranges | |
| MAX452_C_ | 0°C to +70°C |
| MAX452_E_ | -40°C to +85°C |
| Storage Temperature Range | -65°C to +150°C |

Note 1: Voltages exceeding V+ or GND on any signal terminal are clamped by internal diodes. Limit forward-diode current to maximum current rating.

Stresses beyond those listed under "Absolute Maximum Ratings" may cause permanent damage to the device. These are stress ratings only, and functional operation of the device at these or any other conditions beyond those indicated in the operational sections of the specifications is not implied. Exposure to absolute maximum rating conditions for extended periods may affect device reliability.

ELECTRICAL CHARACTERISTICS—Single +5V Supply

(V+ = 4.5V to 5.5V, GND = 0V, V_{AH} = 2.4V, V_{AL} = 0.8V, T_A = T_{MIN} to T_{MAX}, unless otherwise noted. Typical values are at T_A = +25°C.) (Notes 2, 7)

| PARAMETER | SYMBOL | CONDITIONS | TEMP | MIN | TYP (Note 2) | MAX | UNITS |
|---|--|---|-------|-----|-----------------|-----|-------|
| ANALOG SWITCH | | | | | | | |
| Analog Signal Range | V _{COM} , V _{NO} | | C, E | V- | | V+ | V |
| COM-NO/NC On-Resistance | R _{ON} | V+ = 4.5V, I _{COM} = 1mA, V _{COM} = 3.5V | +25°C | | 90 | 150 | Ω |
| | | | C, E | | | 200 | |
| COM-NO/NC On-Resistance Match Between Channels (Note 3) | ΔR _{ON} | V+ = 4.5V, I _{COM} = 1mA, V _{COM} = 3.5V | +25°C | | 2 | 10 | Ω |
| | | | C, E | | | 15 | |
| COM-NO/NC On-Resistance Flatness (Note 4) | R _{FLAT} | V+ = 5.5V; I _{COM} = 1mA; V _{COM} = 1.5V, 2.5V, 3.5V | +25°C | | 5 | 12 | Ω |
| NO/NC Off-Leakage (Note 5) | I _{NO(OFF)} , I _{NC(OFF)} | V+ = 5.5V; V _{NO} = 1V, 4.5V; V _{COM} = 4.5V, 1V | +25°C | -1 | | +1 | nA |
| | | | C, E | -10 | | +10 | |
| COM Off-Leakage (Note 5) | I _{COM(OFF)} | V+ = 5.5V; V _{NO} = 1V, 4.5V; V _{COM} = 4.5V, 1V | +25°C | -2 | | +2 | nA |
| | | | C, E | -50 | | +50 | |
| | | | +25°C | -1 | | +1 | |
| | | | C, E | -25 | | +25 | |
| COM On-Leakage (Note 5) | I _{COM(ON)} | V+ = 5.5V; V _{COM} = 4.5V, 1V | +25°C | -2 | | +2 | nA |
| | | | C, E | -50 | | +50 | |
| | | | +25°C | -1 | | +1 | |
| | | | C, E | -25 | | +25 | |
| DIGITAL I/O | | | | | | | |
| Logic Input Logic Threshold High | V _{IH} | | C, E | | 1.5 | 2.4 | V |
| Logic Input Logic Threshold Low | V _{IL} | | C, E | 0.8 | 1.5 | | V |
| Input Current High | I _{IH} | V _A = V _{INH} = 2.4V | C, E | -1 | | +1 | μA |
| Input Current Low | I _{IH} | V _A = V _{INH} = 0.8V | C, E | -1 | | +1 | μA |

Low-Voltage, Single-Supply Multiplexer and Switch

MAX4524/MAX4525

ELECTRICAL CHARACTERISTICS—Single +5V Supply (continued)

(V+ = 4.5V to 5.5V, GND = 0V, VAH = 2.4V, VAL = 0.8V, TA = TMIN to TMAX, unless otherwise noted. Typical values are at TA = +25°C.) (Notes 2, 7)

| PARAMETER | SYMBOL | CONDITIONS | TEMP | MIN | TYP (Note 2) | MAX | UNITS |
|--|-----------|--|---------|-------|-----------------|-----|-------|
| SWITCH DYNAMIC CHARACTERISTICS | | | | | | | |
| Inhibit Turn-On Time | t(ON) | VNO_ = 3V, RL = 300Ω, CL = 35pF, Figure 2 | +25°C | | 90 | 150 | ns |
| | | | C, E | | | 200 | |
| Inhibit Turn-Off Time | t(OFF) | VNO_ = 3V, RL = 300Ω, CL = 35pF, Figure 2 | +25°C | | 40 | 120 | ns |
| | | | C, E | | | 180 | |
| Address Transition Time | tTRANS | VNO_ = 3V/0V, RL = 300Ω, CL = 35pF, Figure 1 | +25°C | | 90 | 150 | ns |
| | | | C, E | | | 200 | |
| Break-Before-Make Time | tBBM | VNO_ = 3V, RL = 300Ω, CL = 35pF, Figure 3 | +25°C | 5 | 20 | | ns |
| Charge Injection (Note 6) | Q | C = 1nF, RS = 0Ω, VS = 2.5V, Figure 4 | +25°C | | 0.8 | 5 | pC |
| NO/NC Off-Capacitance | CNO(OFF) | VNO_ = 0V, f = 1MHz, Figure 6 | +25°C | | 4 | | pF |
| COM Off-Capacitance | CCOM(OFF) | VNO_ = 0V, f = 1MHz, Figure 6 | MAX4524 | +25°C | | 14 | pF |
| | | | MAX4525 | +25°C | | 6 | |
| COM On-Capacitance | CCOM(ON) | VNO_ = 0V, f = 1MHz, Figure 6 | MAX4524 | +25°C | | 20 | pF |
| | | | MAX4525 | +25°C | | 12 | |
| Off-Isolation | VISO | RL = 50Ω, f = 1MHz, Figure 5 | +25°C | | -75 | | dB |
| Channel-to-Channel Crosstalk (MAX4525) | VCT | RL = 50Ω, f = 1MHz, Figure 5 | +25°C | | -74 | | dB |
| Total Harmonic Distortion | THD | RL = 600Ω, VCOM = 2.5Vp-p, 20Hz to 20kHz | +25°C | | 0.2 | | % |
| POWER SUPPLY | | | | | | | |
| Power-Supply Range | V+ | | C, E | 2 | | 12 | V |
| Power-Supply Current | I+ | V+ = 5.5V, VADD = VINH = V+ or 0V | +25°C | | -1 | +1 | μA |
| | | | C, E | | -10 | +10 | |

ELECTRICAL CHARACTERISTICS—Single +3V Supply

(V+ = 2.7V to 3.6V, GND = 0V, VAH = 2.0V, VAL = 0.5V, TA = TMIN to TMAX, unless otherwise noted. Typical values are at TA = +25°C.) (Notes 2, 7)

| PARAMETER | SYMBOL | CONDITIONS | TEMP | MIN | TYP (Note 2) | MAX | UNITS | |
|----------------------------|--------------------|--|---------|-------|-----------------|-----|-------|----|
| ANALOG SWITCH | | | | | | | | |
| Analog Signal Range | VCOM, VNO | | C, E | V- | | V+ | V | |
| COM-NO/NC On-Resistance | RON | V+ = 2.7V, ICOM = 0.1mA, VCOM = 1.5V | +25°C | | 190 | 400 | Ω | |
| | | | C, E | | | 500 | | |
| NO/NC Off-Leakage (Note 6) | INO(OFF), INC(OFF) | V+ = 3.6V; VNO = 1V, 3V; VCOM = 3V, 1V | +25°C | | -1 | +1 | nA | |
| | | | C, E | | -10 | +10 | | |
| COM Off-Leakage (Note 6) | ICOM(OFF) | V+ = 3.6V; VNO = 1V, 3V; VCOM = 3V, 1V | MAX4524 | +25°C | | -2 | +2 | nA |
| | | | | C, E | | -50 | +50 | |
| | | | MAX4525 | +25°C | | -1 | +1 | |
| | | | | C, E | | -25 | +25 | |

Low-Voltage, Single-Supply Multiplexer and Switch

ELECTRICAL CHARACTERISTICS—Single +3V Supply (continued)

($V_+ = 2.7V$ to $3.6V$, $GND = 0V$, $V_{AH} = 2.0V$, $V_{AL} = 0.5V$, $T_A = T_{MIN}$ to T_{MAX} , unless otherwise noted. Typical values are at $T_A = +25^\circ C$.) (Notes 2, 7)

| PARAMETER | SYMBOL | CONDITIONS | TEMP | MIN | TYP (Note 2) | MAX | UNITS |
|--|---------------|---|---------|-------|-----------------|-----|---------|
| COM On-Leakage (Note 6) | $I_{COM(ON)}$ | $V_+ = 3.6V$; $V_{COM} = 3V$, $1V$ | MAX4524 | +25°C | -2 | +2 | nA |
| | | | | C, E | -50 | +50 | |
| | | | MAX4525 | +25°C | -1 | +1 | |
| | | | | C, E | -25 | +25 | |
| DIGITAL I/O | | | | | | | |
| Logic Input Logic Threshold High | V_{IH} | | C, E | | 1.0 | 2.0 | V |
| Logic Input Logic Threshold Low | V_{IL} | | C, E | 0.5 | 1.0 | | V |
| Input Current High | I_{IH} | $V_A = V_{INH} = 2.0V$ | C, E | -1 | | +1 | μA |
| Input Current Low | I_{IH} | $V_A = V_{INH} = 0.5V$ | C, E | -1 | | +1 | μA |
| SWITCH DYNAMIC CHARACTERISTICS (Note 6) | | | | | | | |
| Inhibit Turn-On Time | $t_{(ON)}$ | $V_{NO_} = 1.5V$, $R_L = 300\Omega$, $C_L = 35pF$, Figure 2 | +25°C | | 170 | 300 | ns |
| | | | C, E | | | 400 | |
| Inhibit Turn-Off Time | $t_{(OFF)}$ | $V_{NO_} = 1.5V$, $R_L = 300\Omega$, $C_L = 35pF$, Figure 2 | +25°C | | 50 | 200 | ns |
| | | | C, E | | | 300 | |
| Address Transition Time | t_{TRANS} | $V_{NO_} = 1.5V/0V$, $R_L = 300\Omega$, $C_L = 35pF$, Figure 1 | +25°C | | 130 | 300 | ns |
| | | | C, E | | | 400 | |
| Break-Before-Make Time | t_{BBM} | Figure 3, $V_{NO_} = 1.5V$, $R_L = 300\Omega$, $C_L = 35pF$ | +25°C | 5 | 40 | | ns |
| POWER SUPPLY | | | | | | | |
| Power-Supply Current | I_+ | $V_+ = 3.6V$, $V_{ADD} = V_{INH} = V_+$ or $0V$ | +25°C | -1 | | +1 | μA |
| | | | C, E | -10 | | +10 | |

Note 2: The algebraic convention is used in this data sheet; the most negative value is shown in the minimum column.

Note 3: $\Delta R_{ON} = R_{ON(MAX)} - R_{ON(MIN)}$

Note 4: Flatness is defined as the difference between the maximum and minimum value of on-resistance as measured over the specified analog signal ranges; i.e., $V_{NO} = 3V$ to $0V$ and $0V$ to $3V$.

Note 5: Leakage parameters are 100% tested at maximum-rated hot operating temperature, and guaranteed by correlation at $T_A = +25^\circ C$.

Note 6: Guaranteed by design, not production tested.

Note 7: TDFN parts are tested at $+25^\circ C$ and are guaranteed by design and correlation over the entire temperature range.

Low-Voltage, Single-Supply Multiplexer and Switch

Typical Operating Characteristics

($V_+ = 5V$, $GND = 0V$, $T_A = +25^\circ C$, unless otherwise noted.)

MAX4524/MAX4525



Low-Voltage, Single-Supply Multiplexer and Switch

Typical Operating Characteristics (continued)

(V+ = +5V, GND = 0V, T_A = +25°C, unless otherwise noted.)



Pin Description

| MAX4524 | MAX4525 | NAME | FUNCTION |
|---------|---------|------|---|
| 1 | — | NO2 | Analog Switch Normally Open Input 2 |
| — | 1 | NOA | Analog Switch “A” Normally Open Input |
| 2 | — | NO3 | Analog Switch Normally Open Input 3 |
| — | 2 | COMA | Analog Switch “A” Common |
| 3 | — | NO1 | Analog Switch Normally Open Input 1 |
| — | 3 | NCA | Analog Switch “A” Normally Closed Input |
| 4 | 4 | INH | Inhibit. Connect to GND for normal operation. Connect to logic-level high to turn all switches off. |
| 5 | 5 | GND | Ground. Connect to digital ground (analog signals have no ground reference, but are limited to V+ and GND). |
| 6 | — | ADDB | Logic-Level Address Input (see <i>Truth Tables</i>) |
| — | 6 | ADD | Logic-Level Address Input (see <i>Truth Tables</i>) |
| 7 | — | ADDA | Logic-Level Address Input (see <i>Truth Tables</i>) |
| — | 7 | NCB | Analog Switch “B” Normally Closed Input |
| 8 | — | NO0 | Analog Switch Normally Open Input 0 |
| — | 8 | NOB | Analog Switch “B” Normally Open Input |
| 9 | — | COM | Analog Switch Common |
| — | 9 | COMB | Analog Switch “A” Common |
| 10 | 10 | V+ | Positive Analog and Digital Supply-Voltage Input |
| EP | EP | EP | TDFN Package Only. Exposed pad, connect to V+. |

Note: NO₋, NC₋, and COM₋ analog signal pins are identical and interchangeable. Any may be considered an input or output; signals pass equally well in both directions.

Low-Voltage, Single-Supply Multiplexer and Switch

MAX4524/MAX4525

Applications Information

Power-Supply Considerations

The MAX4524/MAX4525's construction is typical of most CMOS analog switches. They have two supply pins: V+ and GND. V+ and GND are used to drive the internal CMOS switches and set the limits of the analog voltage on any switch. Reverse ESD-protection diodes are internally connected between each analog signal pin and both V+ and GND. If any analog signal exceeds V+ or GND, one of these diodes will conduct. During normal operation, these (and other) reverse-biased ESD diodes leak, forming the only current drawn from V+ or GND.

Virtually all the analog leakage current comes from the ESD diodes. Although the ESD diodes on a given signal pin are identical, and therefore fairly well balanced, they are reverse-biased differently. Each is biased by either V+ or GND and the analog signal. This means that leakage will vary as the signal varies. The difference in the two diode leakages to the V+ and GND pins constitutes the analog signal-path leakage current. All analog leakage current flows between each pin and one of the supply terminals, not to the other switch terminal. This is why both sides of a given switch can show leakage currents of either the same or opposite polarity.

Test Circuits/Timing Diagrams



Figure 1. Address Transition Time

Low-Voltage, Single-Supply Multiplexer and Switch

There is no connection between the analog signal paths and GND. V+ and GND power the internal logic and logic-level translators, and set both the input and output logic limits. The logic-level translators convert the logic levels into switched V+ and GND signals to drive the gates of the analog signals. This drive signal is the only connection between the logic supplies (and signals) and the analog supplies. V+ has an ESD-protection diode to GND.

Low-Voltage Operation

These devices operate from a single supply between +2V and +12V. At room temperature, they actually “work” with a single supply at near or below +1.7V, although as supply voltage decreases, switch on-resistance and switching times become very high.

High-Frequency Performance

In 50Ω systems, signal response is reasonably flat up to 50MHz (see *Typical Operating Characteristics*). Above 20MHz, the on-response has several minor peaks, which are highly layout dependent. The problem is not turning the switch on, but turning it off. The off-state switch acts like a capacitor, and passes higher frequencies with less attenuation. At 10MHz, off-isolation is about -50dB in 50Ω systems, becoming worse (approximately 20dB per decade) as frequency increases. Higher circuit impedances also degrade off-isolation. Adjacent channel attenuation is about 3dB above that of a bare IC socket, and is entirely due to capacitive coupling.

Test Circuits/Timing Diagrams (continued)



Figure 2. Inhibit Switching Times

Low-Voltage, Single-Supply Multiplexer and Switch

Test Circuits/Timing Diagrams (continued)

MAX4524/MAX4525



Figure 3. Break-Before-Make Interval



Figure 4. Charge Injection

Low-Voltage, Single-Supply Multiplexer and Switch

Test Circuits/Timing Diagrams (continued)

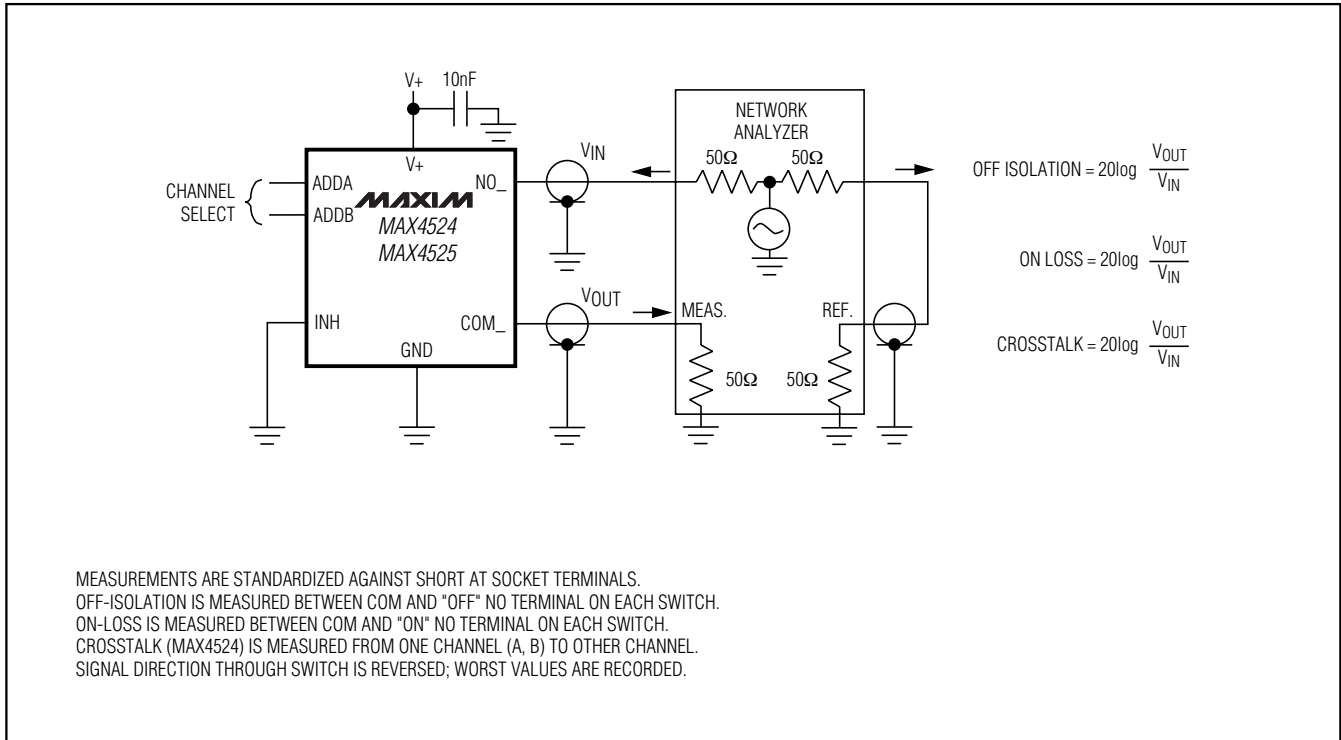


Figure 5. Off-Isolation, On-Loss, and Crosstalk

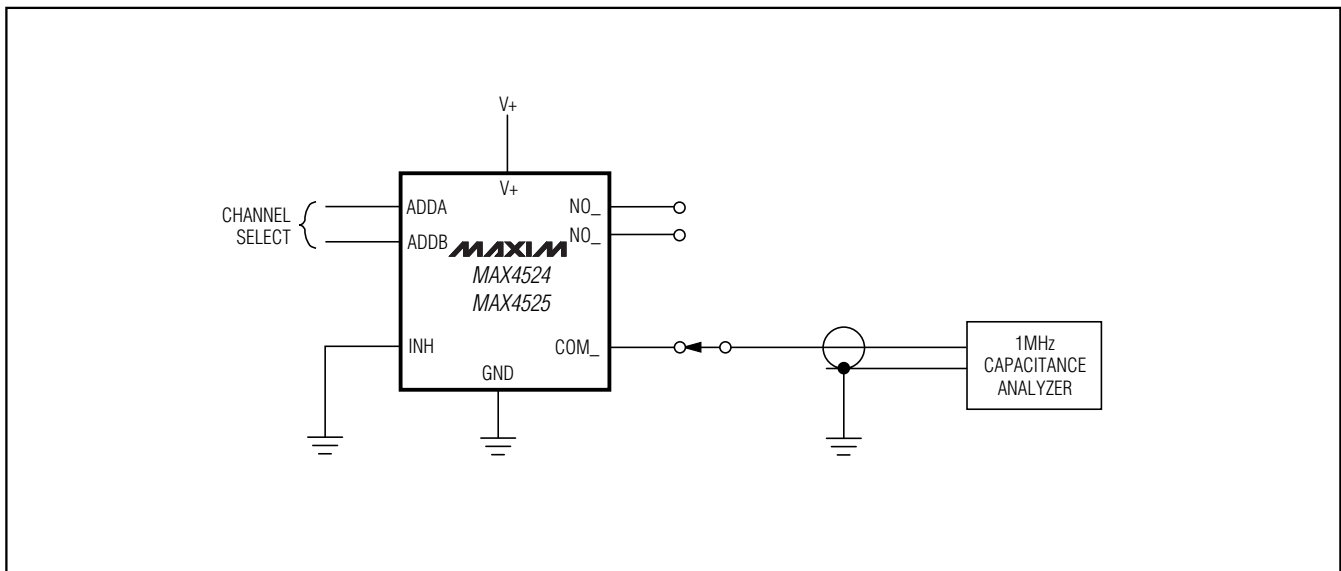


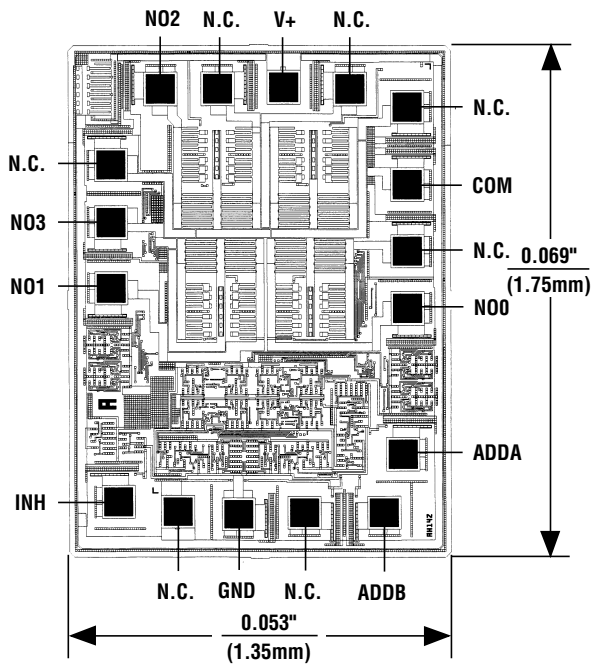
Figure 6. NO/COM Capacitance

Low-Voltage, Single-Supply Multiplexer and Switch

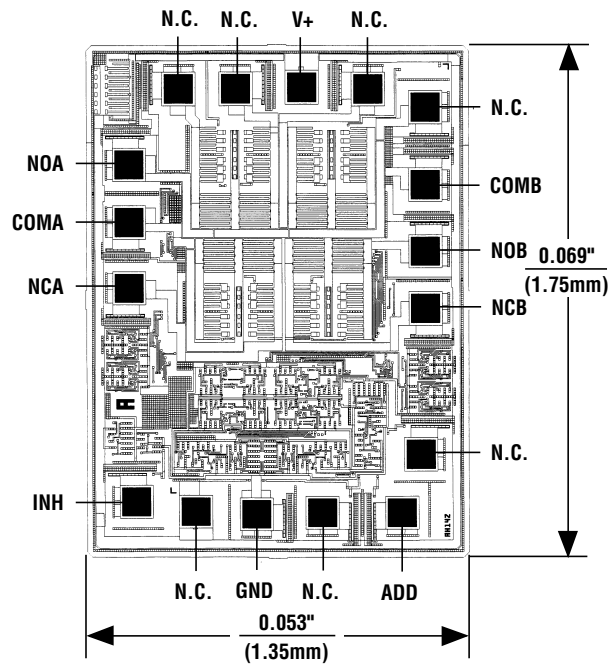
Chip Topographies

MAX4524/MAX4525

MAX4524



MAX4525



N.C. = No Connection

TRANSISTOR COUNT: 219
SUBSTRATE CONNECTED TO V+

Low-Voltage, Single-Supply Multiplexer and Switch

Package Information

(The package drawing(s) in this data sheet may not reflect the most current specifications. For the latest package outline information go to www.maxim-ic.com/packages.)



10LUMAX.EPS

Low-Voltage, Single-Supply Multiplexer and Switch

Package Information (continued)

(The package drawing(s) in this data sheet may not reflect the most current specifications. For the latest package outline information go to www.maxim-ic.com/packages.)

MAX4524/MAX4525



Low-Voltage, Single-Supply Multiplexer and Switch

Package Information (continued)

(The package drawing(s) in this data sheet may not reflect the most current specifications. For the latest package outline information go to www.maxim-ic.com/packages.)


| COMMON DIMENSIONS | | |
|-------------------|-----------|------|
| SYMBOL | MIN. | MAX. |
| A | 0.70 | 0.80 |
| D | 2.90 | 3.10 |
| E | 2.90 | 3.10 |
| A1 | 0.00 | 0.05 |
| L | 0.20 | 0.40 |
| k | 0.25 MIN. | |
| A2 | 0.20 REF. | |

| PACKAGE VARIATIONS | | | | | | | |
|--------------------|----|-----------|-----------|----------|----------------|-----------|---------------|
| PKG. CODE | N | D2 | E2 | e | JEDEC SPEC | b | [(N/2)-1] x e |
| T633-2 | 6 | 1.50±0.10 | 2.30±0.10 | 0.95 BSC | MO229 / WEEA | 0.40±0.05 | 1.90 REF |
| T833-2 | 8 | 1.50±0.10 | 2.30±0.10 | 0.65 BSC | MO229 / WEEC | 0.30±0.05 | 1.95 REF |
| T833-3 | 8 | 1.50±0.10 | 2.30±0.10 | 0.65 BSC | MO229 / WEEC | 0.30±0.05 | 1.95 REF |
| T1033-1 | 10 | 1.50±0.10 | 2.30±0.10 | 0.50 BSC | MO229 / WEED-3 | 0.25±0.05 | 2.00 REF |
| T1033-2 | 10 | 1.50±0.10 | 2.30±0.10 | 0.50 BSC | MO229 / WEED-3 | 0.25±0.05 | 2.00 REF |
| T1433-1 | 14 | 1.70±0.10 | 2.30±0.10 | 0.40 BSC | ---- | 0.20±0.05 | 2.40 REF |
| T1433-2 | 14 | 1.70±0.10 | 2.30±0.10 | 0.40 BSC | ---- | 0.20±0.05 | 2.40 REF |

NOTES:

1. ALL DIMENSIONS ARE IN mm. ANGLES IN DEGREES.
2. COPLANARITY SHALL NOT EXCEED 0.08 mm.
3. WARPAGE SHALL NOT EXCEED 0.10 mm.
4. PACKAGE LENGTH/PACKAGE WIDTH ARE CONSIDERED AS SPECIAL CHARACTERISTIC(S).
5. DRAWING CONFORMS TO JEDEC MO229, EXCEPT DIMENSIONS "D2" AND "E2", AND T1433-1 & T1433-2.
6. "N" IS THE TOTAL NUMBER OF LEADS.
7. NUMBER OF LEADS SHOWN ARE FOR REFERENCE ONLY.
8. MARKING IS FOR PACKAGE ORIENTATION REFERENCE ONLY.

—DRAWING NOT TO SCALE—

| | | |
|---|--|----------------------|
|  | | |
| TITLE: PACKAGE OUTLINE, 6,8,10 & 14L, TDFN, EXPOSED PAD, 3x3x0.80 mm | | |
| APPROVAL | DOCUMENT CONTROL NO. 21-0137 | REV. I 2/2 |

Revision History

Pages changed at Rev 2: 1, 2, 4, 6, 13,14

Maxim cannot assume responsibility for use of any circuitry other than circuitry entirely embodied in a Maxim product. No circuit patent licenses are implied. Maxim reserves the right to change the circuitry and specifications without notice at any time.

14 _____ **Maxim Integrated Products, 120 San Gabriel Drive, Sunnyvale, CA 94086 408-737-7600**



Стандарт Электрон Связь

Мы молодая и активно развивающаяся компания в области поставок электронных компонентов. Мы поставляем электронные компоненты отечественного и импортного производства напрямую от производителей и с крупнейших складов мира.

Благодаря сотрудничеству с мировыми поставщиками мы осуществляем комплексные и плановые поставки широчайшего спектра электронных компонентов.

Собственная эффективная логистика и склад в обеспечивает надежную поставку продукции в точно указанные сроки по всей России.

Мы осуществляем техническую поддержку нашим клиентам и предпродажную проверку качества продукции. На все поставляемые продукты мы предоставляем гарантию .

Осуществляем поставки продукции под контролем ВП МО РФ на предприятия военно-промышленного комплекса России , а также работаем в рамках 275 ФЗ с открытием отдельных счетов в уполномоченном банке. Система менеджмента качества компании соответствует требованиям ГОСТ ISO 9001.

Минимальные сроки поставки, гибкие цены, неограниченный ассортимент и индивидуальный подход к клиентам являются основой для выстраивания долгосрочного и эффективного сотрудничества с предприятиями радиоэлектронной промышленности, предприятиями ВПК и научно-исследовательскими институтами России.

С нами вы становитесь еще успешнее!

Наши контакты:

Телефон: +7 812 627 14 35

Электронная почта: sales@st-electron.ru

Адрес: 198099, Санкт-Петербург,
Промышленная ул, дом № 19, литера Н,
помещение 100-Н Офис 331