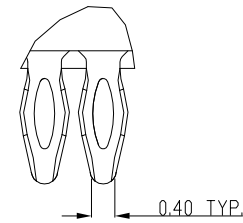
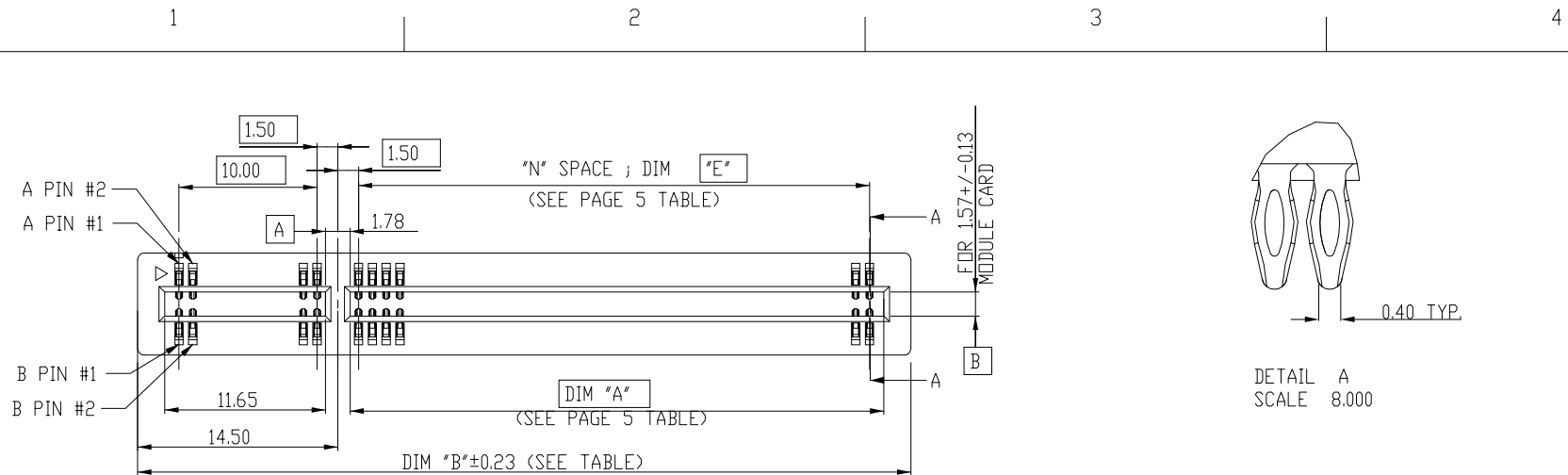


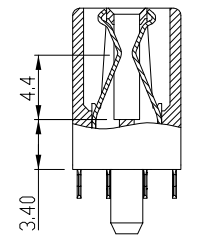
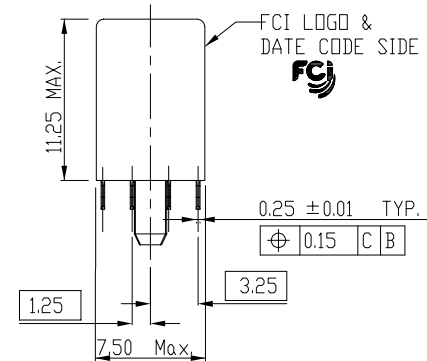
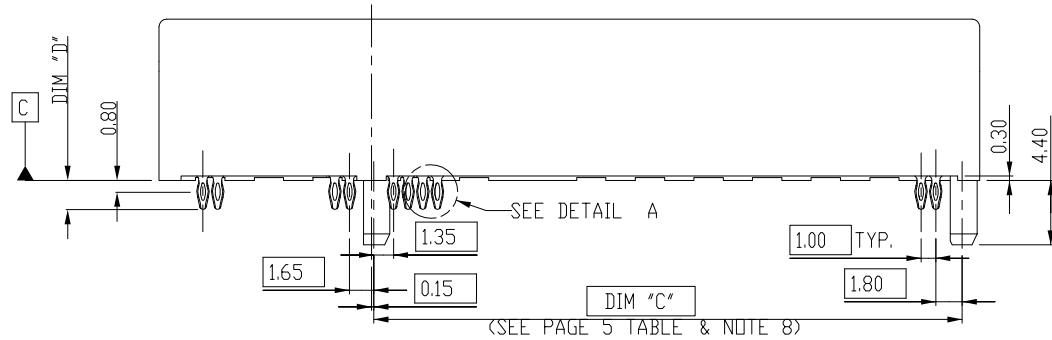
FCI CONFIDENTIAL



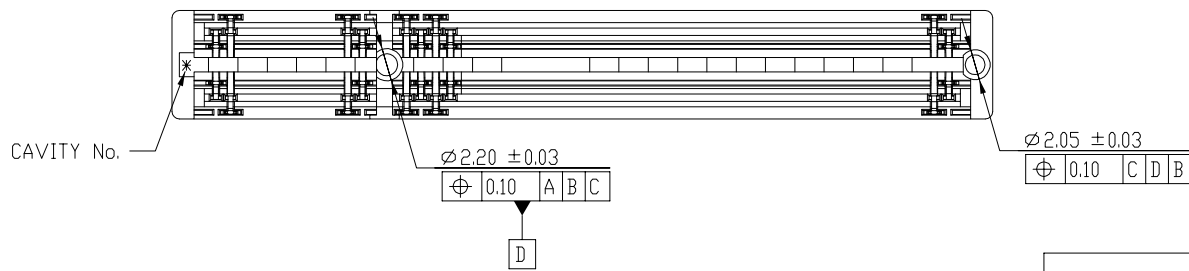
This document is the property of and embodies CONFIDENTIAL and PROPRIETARY information of FCI. No part of the information shown on this document may be used in any way or disclosed to others without the written consent of FCI. Copyright FCI.



DETAIL A  
SCALE 8.000



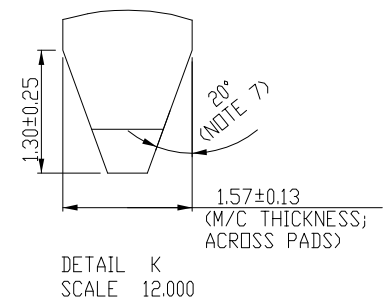
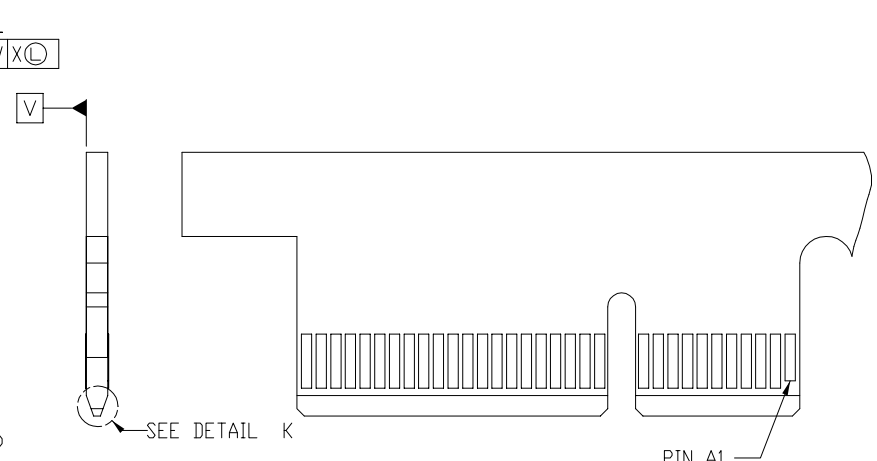
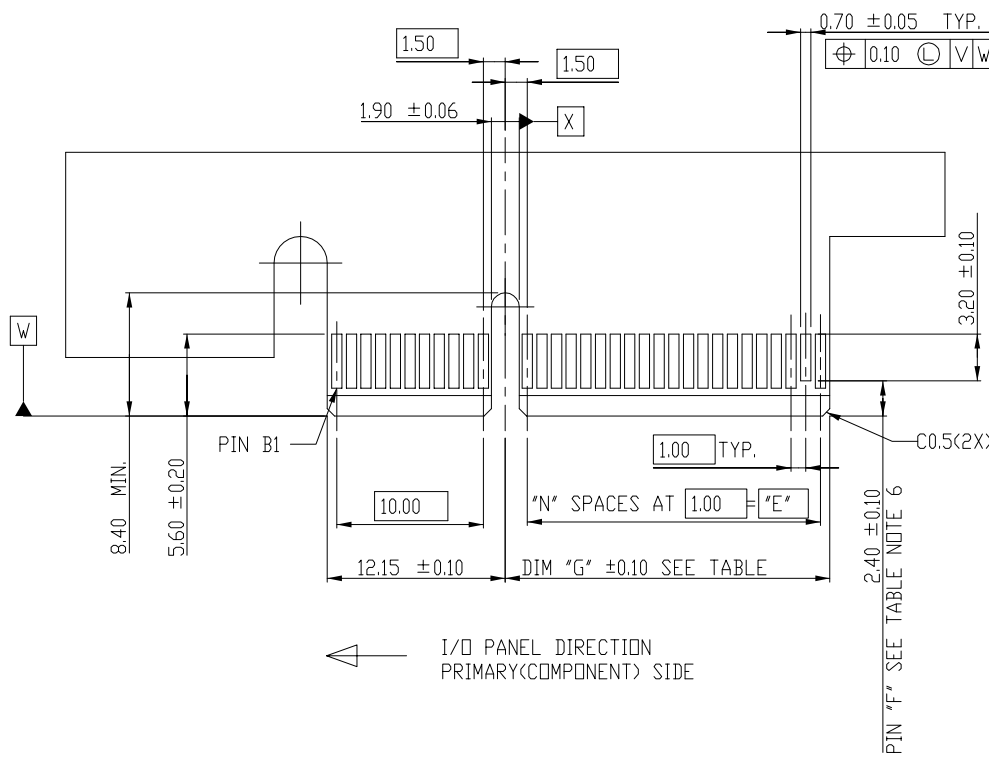
SECTION A-A  
SCALE 2.000



| rev | ecn no    | dr | date       |
|-----|-----------|----|------------|
| A   | T09-1074  | RC | 05/19/2009 |
| B   | T09-1112  | RC | 09/02/2009 |
| C   | T09-1159  | RC | 12/16/2009 |
| D   | DG-008068 | HT | 11/22/2011 |
| -   | -         | -  | -          |
| -   | -         | -  | -          |
| -   | -         | -  | -          |

|                    |              |   |                |              |           |
|--------------------|--------------|---|----------------|--------------|-----------|
| www.fciconnect.com |              | surface <input checked="" type="checkbox"/> | tolerance std  | projection   | MM        |
|                    |              | TOLERANCES UNLESS OTHERWISE SPECIFIED       |                | $\phi$       | ←→        |
| Dr                 | Richard Chiu | 06/16/2008                                  | ANGULAR        | size         | Scale     |
| Eng                | Richard Chiu | 06/16/2008                                  | LINEAR         | A4           | 1.000     |
| Chr                | Paul Wang    | 06/16/2008                                  | 0° ±5°         | ECN          | DG-008068 |
| Appr               | Joseph Hsia  | 06/16/2008                                  | Product family | Spec ref     |           |
| FCI                |              | title                                       |                | dwg no       |           |
|                    |              | PCIE GENERATION II                          |                | 10082378     |           |
|                    |              | PRESS-FIT TYPE ASSEMBLY                     |                | Rev. D       |           |
|                    |              | catalog no                                  |                | CUSTOMER     |           |
|                    |              |   |                | sheet 1 of 6 |           |

REV F1 2006-04-17

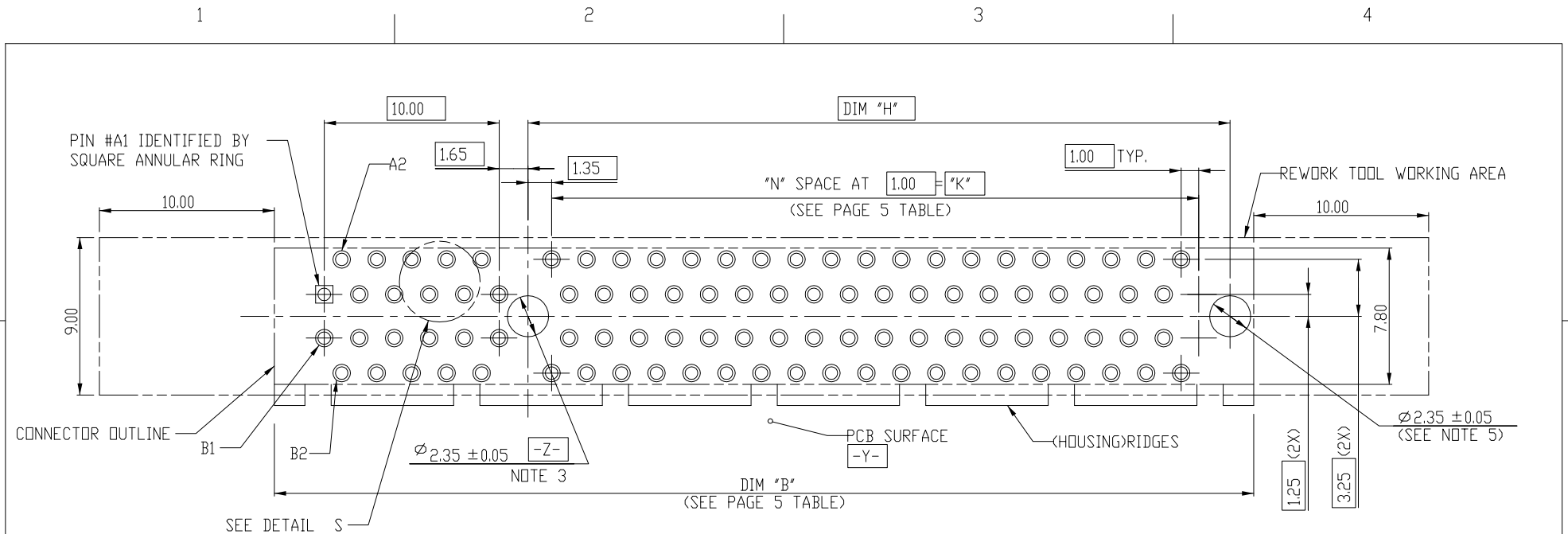


I/O PANEL DIRECTION  
SECONDARY (SOLDER) SIDE →

← I/O PANEL DIRECTION  
PRIMARY (COMPONENT) SIDE

| PDS. REF. | N  | DIM "G" | "F" |
|-----------|----|---------|-----|
| 36        | 6  | 8.15    | B17 |
| 64        | 20 | 22.15   | B31 |
| 98        | 37 | 39.15   | B48 |
| 164       | 70 | 72.15   | B81 |

|                    |              |   |   |               |              |             |
|--------------------|--------------|---|---|---------------|--------------|-------------|
| www.fciconnect.com |              |   | surface <input checked="" type="checkbox"/> | tolerance std | projection   | MM          |
|                    |              |   | TOLERANCES UNLESS OTHERWISE SPECIFIED       |               |              | ← →         |
| Dr                 | Richard Chiu | 06/16/2008                                    | ANGULAR                                     | 0.X ±0.25     | size         | Scale 1.000 |
| Eng                | Richard Chiu | 06/16/2008                                    | LINEAR                                      | 0.XX ±0.15    | A4           |             |
| Chr                | Paul Wang    | 06/16/2008                                    | 0° ±5°                                      | 0.XXX ±0.10   | ECN          | DG-008068   |
| Appr               | Joseph Hsia  | 06/16/2008                                    | Product family                              |               | Spec ref     |             |
|                    | title        | PCIE GENERATION II<br>PRESS-FIT TYPE ASSEMBLY |   | dwg no        | 10082378     | Rev. D      |
|                    | catalog no   | -   | CUSTOMER                                    |               | sheet 2 of 6 |             |

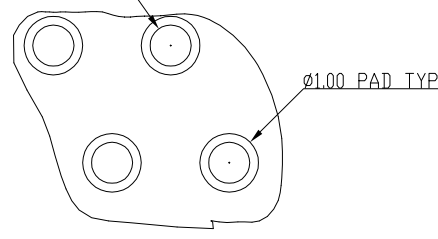


← I/O PANEL DIRECTION

RECOMMENDED FOOTPRINT

| POS. REF. | N  | DIM "H" | DIM "K" |
|-----------|----|---------|---------|
| 36        | 6  | 9.15    | 6.00    |
| 64        | 20 | 23.15   | 20.00   |
| 98        | 37 | 40.15   | 37.00   |
| 164       | 70 | 73.15   | 70.00   |

$\phi 0.70 \pm 0.08$  TYP.  
 $\oplus \phi 0.10 \text{ (M) Y Z (M)}$   
 (SEE NOTE 9 FOR PLATING DETAIL)



DETAIL S  
SCALE 8.000

|                    |              |            |  |               |                       |               |
|--------------------|--------------|------------|--|---------------|-----------------------|---------------|
| www.fciconnect.com |              |            | surface <input checked="" type="checkbox"/>      | tolerance std | projection            | MM            |
|                    |              |            | TOLERANCES UNLESS OTHERWISE SPECIFIED            |               | ← →                   |               |
| Dr                 | Richard Chiu | 06/16/2008 | ANGULAR  | 0.X           | ±0.25                 | size A4       |
| Eng                | Richard Chiu | 06/16/2008 | LINEAR   | 0.XX          | ±0.15                 | Scale 1.000   |
| Chr                | Paul Wang    | 06/16/2008 | 0° ±5°   | 0.XXX         | ±0.10                 | ECN DG-008068 |
| Appr               | Joseph Hsia  | 06/16/2008 | Product family                                   |               | Spec ref              |               |
|                    |              |            | title PCIE GENERATION II PRESS-FIT TYPE ASSEMBLY |               | dwg no 10082378       |               |
|                    |              |            | catalog no -                                     |               | CUSTOMER sheet 3 of 6 |               |
|                    |              |            |  |               | Rev. D                |               |



1 | 2 | 3 | 4

NOTES:

1. MATERIAL:
  - HOUSING: HIGH PERFORMANCE RESIN, GLASS FILLED UL94V-0 RATED
  - TERMINAL: COPPER ALLOY
  - PLATING: 50u" NICKEL UNDERPLATE ALL OVER TERMINAL
  - CONTACT AREA PLATING - SEE PRODUCT NUMBER CODE
  - CONTACT TAIL: TIN OR Sn/Pb - 100u" MIN. OVER 50u" NICKEL
2. P/N SEE TABLE AND PRODUCT NUMBER CODE : DESH-XXXXTLF FOR TRAY PACKAGING.
3. PACKAGING SPECIFICATION: GS-14-974
4. PRODUCT SPECIFICATION : GS-12-584

△ THE HORIZONTAL AXIS FOR THE HOLE PATTERN IS ESTABLISHED BY A LINE THROUGH THE CENTER OF THE TWO Ø2.35 HOLES. THE VERTICAL AXIS IS 90° TO THE HORIZONTAL AXIS, THROUGH THE CENTER OF DATUM Z.

△ NO TIE BAR PERMITTED FROM CARD EDGE TO LEADING EDGE OF PAD FOR PINS A1 AND PIN NUMBERS "F".

△ CHAMFER EDGES MUST BE FREE OF CUTTING BURRS.

△ DIMENSION APPLIES AT CENTER OF PLASTIC PEGS, DIMENSION SHOWN IS TO CENTER LINE OF PEGS.

△ ALL PTH SHOULD BE 0.70~0.82 mm DIA DRILLED AND 0.025 mm MIN. ELECTRO-DEPOSITED COPPER THK ON THROUGH HOLE WALL.

10. PRODUCT RoHS DEFINITIONS:

- a-IF TERMINAL PLATING OPTION IS "0,1 OR 2" WHICH MEANS PRODUCT IS 'ROHS COMPATIBLE'. THERE WILL BE "LF" SUFFIX IN THE END.
- b-IF TERMINAL PLATING OPTION IS "3,4 OR 5" WHICH MEANS PRODUCT IS 'ROHS COMPLIANT'. THERE WILL BE NO "LF" SUFFIX IN THE END.
- c-"LF" MEANS THE PRODUCT IS LEAD-FREE, 2um MINIMUM MATTE TIN OVER 1.27um MINIMUM NICKEL UNDERPLATE.

11. THE PRODUCT IS NOT INTENDED TO BE EXPOSED TO A MANUFACTURING SOLDER PROCESS.

10082378 - X X X X X X X X

HOUSING COLOR OPTION:  
1: BLACK

0: NON-RIDGE TYPE  
1: RIDGE TYPE  
(SEE SIDE VIEW OF THIS PAGE)

TERMINAL PLATING OPTIONS

0-50u" Ni UNDERPLATE  
30u" Au CONTACT AREA  
100u" TIN TAIL AREA -----RoHS COMPATIBALE

1-50u" Ni UNDERPLATE  
15u" Au CONTACT AREA  
100u" TIN TAIL AREA -----RoHS COMPATIBALE

2-50u" Ni UNDERPLATE  
GOLD FLASH CONTACT AREA  
100u" TIN TAIL AREA -----RoHS COMPATIBALE

3-50u" Ni UNDERPLATE  
30u" Au CONTACT AREA  
100u" TIN/LEAD TAIL AREA -----RoHS COMPLIANT

4-50u" Ni UNDERPLATE  
15u" Au CONTACT AREA  
100u" TIN/LEAD TAIL AREA -----RoHS COMPLIANT

5-50u" Ni UNDERPLATE  
GOLD FLASH CONTACT AREA  
100u" TIN/LEAD TAIL AREA -----RoHS COMPLIANT

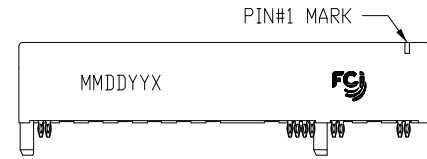
LEAD FREE OPTION  
"LF": LEAD-FREE (FOR TERMINAL PLATING OPTION 0,1,2)  
"□□": NOT LEAD-FREE (FOR TERMINAL PLATING OPTION 3,4,5)

PACKAGING OPTIONS  
T-TRAY PACKAGING

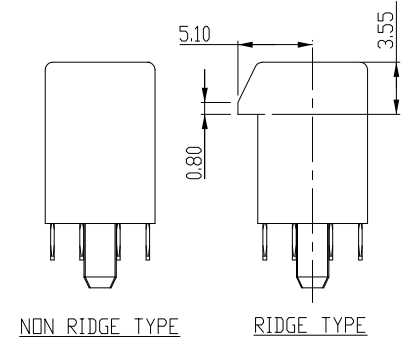
PDS OPTIONS  
0-36  
1-64  
2-98  
3-164

TAIL LENGTH OPTIONS

|   | DIM "D"   | PCB THICKNESS |
|---|-----------|---------------|
| 0 | 2.00±0.20 | 2.36          |
| 1 | 3.25±0.20 | 4.19          |



DATE CODE:  
MMDDYY:MONTH/DAY/YEAR  
X: "K" - GEN.2 MARK



NON RIDGE TYPE

RIDGE TYPE

|                    |              |            |   |               |            |              |           |
|--------------------|--------------|------------|---|---------------|------------|--------------|-----------|
| www.fciconnect.com |              |            | surface <input checked="" type="checkbox"/> | tolerance std | projection | MM           |           |
|                    |              |            | TOLERANCES UNLESS OTHERWISE SPECIFIED       |               |            | ←→           |           |
| Dr                 | Richard Chiu | 06/16/2008 | ANGULAR                                     | 0.X           | ±0.25      | size         | Scale     |
| Eng                | Richard Chiu | 06/16/2008 | LINEAR                                      | 0.XX          | ±0.15      | A4           | 1.000     |
| Chr                | Paul Wang    | 06/16/2008 | 0° ±5°                                      | 0.XXX         | ±0.10      | ECN          | DG-008068 |
| Appr               | Joseph Hsia  | 06/16/2008 | Product family                              |               |            | Spec ref     |           |
|                    |              |            | title                                       |               | dwg no     |              | Rev.      |
|                    |              |            | PCIE GENERATION II                          |               | 10082378   |              | D         |
|                    |              |            | PRESS-FIT TYPE ASSEMBLY                     |               |            |              |           |
|                    |              |            | catalog no                                  | CUSTOMER      |            | sheet 4 of 6 |           |

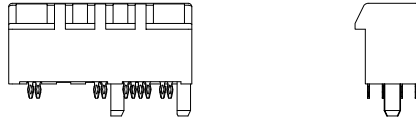
1 | 2 | 3 | 4

FCI CONFIDENTIAL

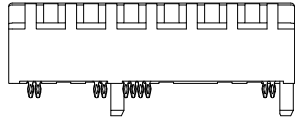
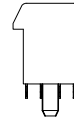


This document is the property of and embodies CONFIDENTIAL and PROPRIETARY information of FCI. No part of the information shown on this document may be used in any way or disclosed to others without the written consent of FCI. Copyright FCI.

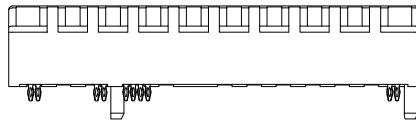
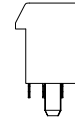
REV F1 2006-04-17



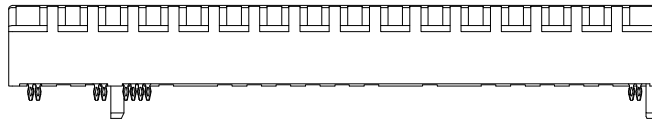
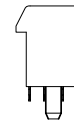
36 PIN RIDGE TYPE FRONT VIEW



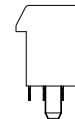
64 PIN RIDGE TYPE FRONT VIEW



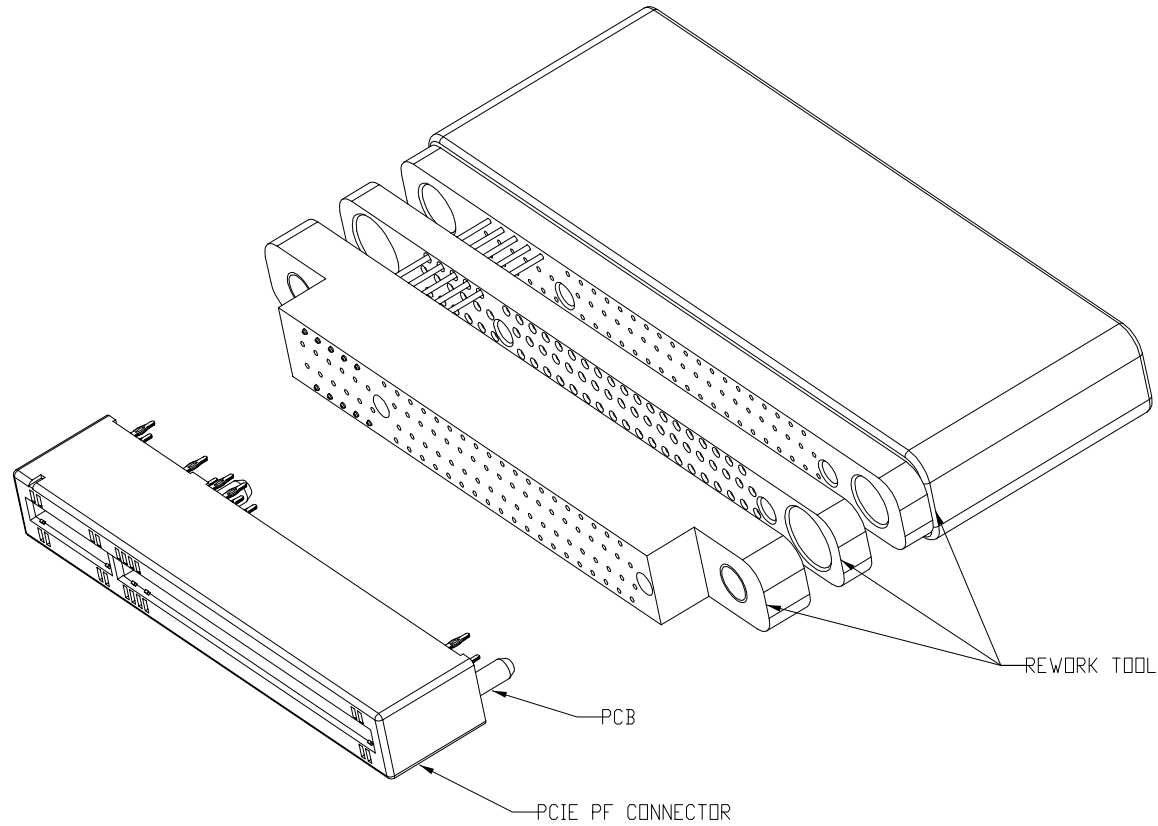
98 PIN RIDGE TYPE FRONT VIEW



164 PIN RIDGE TYPE FRONT VIEW



|                    |              |            |   |               |            |              |           |
|--------------------|--------------|------------|---|---------------|------------|--------------|-----------|
| www.fciconnect.com |              |            | surface <input checked="" type="checkbox"/> | tolerance std | projection | MM           |           |
|                    |              |            | TOLERANCES UNLESS OTHERWISE SPECIFIED       |               |            | ↔            |           |
| Dr                 | Richard Chiu | 06/16/2008 | ANGULAR                                     | 0.X           | ±0.25      | size         | Scale     |
| Eng                | Richard Chiu | 06/16/2008 | LINEAR                                      | 0.XX          | ±0.15      | A4           | 1.000     |
| Chr                | Paul Wang    | 06/16/2008 | 0° ±5°                                      | 0.XXX         | ±0.10      | ECN          | DG-008068 |
| Appr               | Joseph Hsia  | 06/16/2008 | Product family                              | -             | Spec ref   |              |           |
|                    |              |            | title                                       |               | dwg no     | Rev.         |           |
|                    |              |            | PCIE GENERATION II                          |               | 10082378   | D            |           |
|                    |              |            | PRESS-FIT TYPE ASSEMBLY                     |               |            |              |           |
|                    |              |            | catalog no                                  | -             | CUSTOMER   | sheet 5 of 6 |           |



CONNECTOR REWORK TOOL & ILLUSTRATION  
(SEE APPLICATION SPECIFICATION GS-20-117 FOR DETAILS)

PRODUCT DIMENSION TABLE FOR EACH TYPES

| CONNECTOR | # PDS REF. | N  | DIM 'A' | DIM 'B' | DIM 'C' | DIM 'E' |
|-----------|------------|----|---------|---------|---------|---------|
| 1 PORT    | 36         | 6  | 7.65    | 25.00   | 9.15    | 6.00    |
| 4 PORT    | 64         | 20 | 21.65   | 39.00   | 23.15   | 20.00   |
| 8 PORT    | 98         | 37 | 38.65   | 56.00   | 40.15   | 37.00   |
| 16 PORT   | 164        | 70 | 71.65   | 89.00   | 73.15   | 70.00   |

|                    |              |            |   |               |            |              |           |
|--------------------|--------------|------------|---|---------------|------------|--------------|-----------|
| www.fciconnect.com |              |            | surface <input checked="" type="checkbox"/>         | tolerance std | projection | MM           |           |
|                    |              |            | TOLERANCES UNLESS OTHERWISE SPECIFIED               |               |            | ←→           |           |
| Dr                 | Richard Chiu | 06/16/2008 | ANGULAR   | 0.X           | ±0.25      | size         | Scale     |
| Eng                | Richard Chiu | 06/16/2008 | LINEAR  | 0.XX          | ±0.15      | A4           | 1.000     |
| Chr                | Paul Wang    | 06/16/2008 | 0° ±5°  | 0.XXX         | ±0.10      | ECN          | DG-008068 |
| Appr               | Joseph Hsia  | 06/16/2008 | Product family                                      |               |            | Spec ref     |           |
|                    |              |            | title PCIE GENERATION II<br>PRESS-FIT TYPE ASSEMBLY |               |            | no 10082378  |           |
| catalog no         |              |            | CUSTOMER  |               |            | Rev. D       |           |
|                    |              |            |   |               |            | sheet 6 of 6 |           |



## Стандарт Электрон Связь

Мы молодая и активно развивающаяся компания в области поставок электронных компонентов. Мы поставляем электронные компоненты отечественного и импортного производства напрямую от производителей и с крупнейших складов мира.

Благодаря сотрудничеству с мировыми поставщиками мы осуществляем комплексные и плановые поставки широчайшего спектра электронных компонентов.

Собственная эффективная логистика и склад в обеспечивает надежную поставку продукции в точно указанные сроки по всей России.

Мы осуществляем техническую поддержку нашим клиентам и предпродажную проверку качества продукции. На все поставляемые продукты мы предоставляем гарантию .

Осуществляем поставки продукции под контролем ВП МО РФ на предприятия военно-промышленного комплекса России , а также работаем в рамках 275 ФЗ с открытием отдельных счетов в уполномоченном банке. Система менеджмента качества компании соответствует требованиям ГОСТ ISO 9001.

Минимальные сроки поставки, гибкие цены, неограниченный ассортимент и индивидуальный подход к клиентам являются основой для выстраивания долгосрочного и эффективного сотрудничества с предприятиями радиоэлектронной промышленности, предприятиями ВПК и научно-исследовательскими институтами России.

С нами вы становитесь еще успешнее!

### Наши контакты:

**Телефон:** +7 812 627 14 35

**Электронная почта:** [sales@st-electron.ru](mailto:sales@st-electron.ru)

**Адрес:** 198099, Санкт-Петербург,  
Промышленная ул, дом № 19, литера Н,  
помещение 100-Н Офис 331