

## CC256x Dual-Mode Bluetooth® Controller

### CC2560A NRND; CC2564 NRND

## 1 Device Overview

### 1.1 Features

- TI's Single-Chip *Bluetooth* Solution With *Bluetooth* Basic Rate (BR), Enhanced Data Rate (EDR), and Low Energy (LE) Support; Available in Two Variants:
  - Dual-Mode *Bluetooth* CC2564 Controller
  - *Bluetooth* CC2560 Controller
- CC2564 *Bluetooth* 4.1 Controller Subsystem Qualified (QDID 58852); Compliant up to the HCI Layer
- Highly Optimized for Low-Cost Designs:
  - Single-Ended 50-Ω RF Interface
  - Package Footprint: 76 Terminals, 0.6-mm Pitch, 8-mm x 8-mm mrQFN
- BR/EDR Features Include:
  - Up to 7 Active Devices
  - Scatternet: Up to 3 Piconets Simultaneously, 1 as Master and 2 as Slaves
  - Up to 2 SCO Links on the Same Piconet
  - Support for All Voice Air-Coding – Continuously Variable Slope Delta (CVSD), A-Law, μ-Law, and Transparent (Uncoded)
  - CC2560B/CC2564B Devices Provide an Assisted Mode for HFP 1.6 Wideband Speech (WBS) Profile or A2DP Profile to Reduce Host Processing and Power
  - Support of Multiple *Bluetooth* Profiles With Enhanced QoS
- LE Features Include:
  - Support of Up to 10 (CC2564B) Connections
  - Multiple Sniff Instances Tightly Coupled to Achieve Minimum Power Consumption
  - Independent Buffering for LE Allows Large Numbers of Multiple Connections Without Affecting BR/EDR Performance.
  - Built-In Coexistence and Prioritization Handling for BR/EDR and LE
- Best-in-Class *Bluetooth* (RF) Performance
  - (TX Power, RX Sensitivity, Blocking)
    - Class 1 TX Power Up to +10 dBm
    - –95 dbm Typical RX Sensitivity
    - Internal Temperature Detection and Compensation to Ensure Minimal Variation in RF Performance Over Temperature, No External Calibration Required
    - Improved Adaptive Frequency Hopping (AFH) Algorithm With Minimum Adaptation Time
    - Provides Longer Range, Including 2x Range Over Other LE-Only Solutions
- Advanced Power Management for Extended Battery Life and Ease of Design
  - On-Chip Power Management, Including Direct Connection to Battery
  - Low Power Consumption for Active, Standby, and Scan *Bluetooth* Modes
  - Shutdown and Sleep Modes to Minimize Power Consumption
- Physical Interfaces:
  - UART Interface With Support for Maximum *Bluetooth* Data Rates
    - UART Transport Layer (H4) With Maximum Rate of 4 Mbps
    - Three-Wire UART Transport Layer (H5) With Maximum Rate of 4 Mbps (CC2560B and CC2564B Only)
  - Fully Programmable Digital PCM-I2S Codec Interface
- Flexibility for Easy Stack Integration and Validation Into Various Microcontrollers, Such as MSP430™ and ARM® Cortex®-M3 and Cortex®-M4 MCUs
- CC256x *Bluetooth* Hardware Evaluation Tool: PC-Based Application to Evaluate RF Performance of the Device and Configure Service Pack
- Device Pin-to-Pin Compatible With Previous Devices or Modules

### 1.2 Applications

- Mobile Accessories
- Sports and Fitness Applications
- Wireless Audio Solutions
- Remote Controls
- Toys
- Test and Measurement
- Industrial: Cable Replacement
- Wireless Sensors
- Automotive Aftermarket
- Point of Service (POS)
- Wellness and Health



### 1.3 Description

The TI CC256x device is a complete *Bluetooth* BR/EDR/LE HCI solution that reduces design effort and enables fast time to market. Based on TI's seventh-generation *Bluetooth* core, the CC256x device provides a product-proven solution that is *Bluetooth* 4.1 compliant. When coupled with a microcontroller unit (MCU), this HCI device offers best-in-class RF performance with a range of about 2X compared to other *Bluetooth* LE-only solutions. Furthermore, TI's power-management hardware and software algorithms provide significant power savings in all commonly used *Bluetooth* BR/EDR/LE modes of operation.

The TI Dual-Mode *Bluetooth* Stack software is certified and provided royalty free for TI's MSP430 and ARM Cortex-M3 and Cortex-M4 MCUs. Other MPUs can be supported through TI's third party. iPod® (MFi) protocol is supported by add-on software packages. For more information, see [TI Dual-Mode Bluetooth Stack](#). Some of the profiles supported include the following:

- Serial port profile (SPP)
- Advanced audio distribution profile (A2DP)
- Audio/video remote control profile (AVRCP)
- Handsfree profile (HFP)
- Human interface device (HID)
- Generic attribute profile (GATT)
- Several *Bluetooth* LE profiles and services

In addition to software, this solution consists of multiple reference designs with a low BOM cost, including a new *Bluetooth* audio sink reference design for customers to create a variety of applications for low-end, low-power audio solutions.

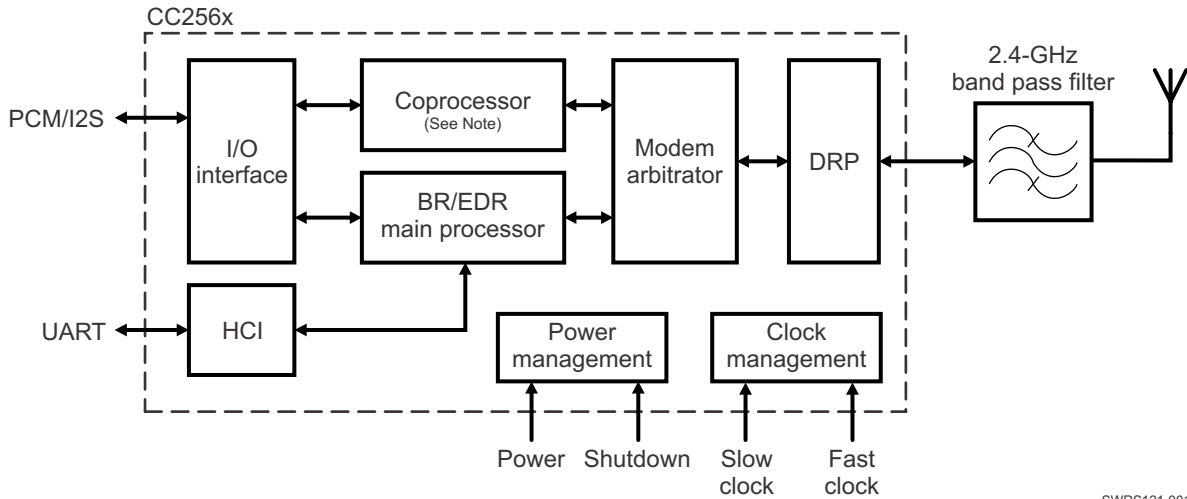
**Device Information<sup>(1)</sup>**

| PART NUMBER                   | PACKAGE  | BODY SIZE                |
|-------------------------------|----------|--------------------------|
| CC2560A (NRND) <sup>(2)</sup> | RVM (76) | 8.0 mm × 8.0 mm × 0.6 mm |
| CC2560B                       | RVM (76) | 8.0 mm × 8.0 mm × 0.6 mm |
| CC2564 (NRND) <sup>(2)</sup>  | RVM (76) | 8.0 mm × 8.0 mm × 0.6 mm |
| CC2564B                       | RVM (76) | 8.0 mm × 8.0 mm × 0.6 mm |

(1) For more information on these devices, see [Section 9.2, Packaging and Ordering](#).

(2) NRND = Not recommended for new designs

## 1.4 Functional Block Diagram



SWRS121-001

Note: The following technologies and assisted modes cannot be used simultaneously with the coprocessor: *Bluetooth* LE, ANT, assisted HFP 1.6 (WBS), and assisted A2DP. One and only one technology or assisted mode can be used at a time.

**Figure 1-1. Functional Block Diagram**

## Table of Contents

|          |  |           |          |  |           |
|----------|--|-----------|----------|--|-----------|
| <b>1</b> | <b>Device Overview</b> .....                     | <b>1</b>  | 6.3      | Clock Inputs .....   | <b>21</b> |
| 1.1      | Features .....                                   | <b>1</b>  | 6.4      | Functional Blocks.....   | <b>24</b> |
| 1.2      | Applications.....                                | <b>1</b>  | 6.5      | <i>Bluetooth</i> BR/EDR Features .....                                       | <b>34</b> |
| 1.3      | Description.....                                 | <b>2</b>  | 6.6      | <i>Bluetooth</i> LE Description.....   | <b>35</b> |
| 1.4      | Functional Block Diagram .....                   | <b>3</b>  | 6.7      | <i>Bluetooth</i> Transport Layers .....                                      | <b>36</b> |
| <b>2</b> | <b>Revision History</b> .....                    | <b>4</b>  | 6.8      | Changes from CC2560A and CC2564 to CC2560B<br>and CC2564B Devices .....      | <b>36</b> |
| <b>3</b> | <b>Device Comparison</b> .....                   | <b>5</b>  | <b>7</b> | <b>Applications, Implementation, and Layout.....</b>                         | <b>37</b> |
| <b>4</b> | <b>Terminal Configuration and Functions.....</b> | <b>6</b>  | 7.1      | Reference Design Schematics and BOM for Power<br>and Radio Connections ..... | <b>37</b> |
| 4.1      | Pin Attributes .....                             | <b>7</b>  | <b>8</b> | <b>Device and Documentation Support .....</b>                                | <b>38</b> |
| 4.2      | Connections for Unused Signals .....             | <b>8</b>  | 8.1      | Device Support .....   | <b>38</b> |
| <b>5</b> | <b>Specifications</b> .....                      | <b>9</b>  | 8.2      | Documentation Support .....  | <b>38</b> |
| 5.1      | Absolute Maximum Ratings .....                   | <b>9</b>  | 8.3      | Related Links.....   | <b>38</b> |
| 5.2      | ESD Ratings.....                                 | <b>9</b>  | 8.4      | Community Resources .....  | <b>39</b> |
| 5.3      | Power-On Hours.....                              | <b>9</b>  | 8.5      | Trademarks.....  | <b>39</b> |
| 5.4      | Recommended Operating Conditions .....           | <b>9</b>  | 8.6      | Electrostatic Discharge Caution.....   | <b>39</b> |
| 5.5      | Power Consumption Summary.....                   | <b>10</b> | 8.7      | Glossary .....   | <b>39</b> |
| 5.6      | Electrical Characteristics .....                 | <b>11</b> | <b>9</b> | <b>Mechanical, Packaging, and Orderable<br/>Information .....</b>            | <b>40</b> |
| 5.7      | Timing and Switching Characteristics .....       | <b>12</b> | 9.1      | mrQFN Mechanical Data.....   | <b>40</b> |
| <b>6</b> | <b>Detailed Description</b> .....                | <b>21</b> | 9.2      | Packaging and Ordering .....   | <b>42</b> |
| 6.1      | Overview .....                                   | <b>21</b> |          |  |           |
| 6.2      | Functional Block Diagram.....                    | <b>21</b> |          |  |           |

## 2 Revision History

| Changes from Revision D (January 2014) to Revision E  | Page      |
|---|-----------|
| • Changed organizational flow of document in compliance with Data Sheet Council standard .....  | <b>1</b>  |
| • Changed document title .....  | <b>1</b>  |
| • Changed <a href="#">Section 1.1, Features</a> .....   | <b>1</b>  |
| • Changed <a href="#">Section 1.3, Description</a> .....  | <b>2</b>  |
| • Changed Device Information table .....  | <b>2</b>  |
| • Added <a href="#">Section 5.2, ESD Ratings</a> .....  | <b>9</b>  |
| • Changed values for continuous transmission for GFSK and EDR in <a href="#">Section 5.5.1, Static Current Consumption</a> ....               | <b>10</b> |
| • Deleted idle mode in <a href="#">Section 5.5.1, Static Current Consumption</a> .....  | <b>10</b> |
| • Changed values for average current in <a href="#">Section 5.5.2.2, Current Consumption for Different LE Scenarios</a> .....                 | <b>11</b> |
| • Added supported crystal frequency in <a href="#">Section 6.3.2.3, Fast Clock Using External Crystal</a> .....                               | <b>24</b> |
| • Changed <a href="#">Section 6.4.4, Assisted Modes (CC2560B and CC2564B Devices)</a> .....   | <b>30</b> |
| • Added dual channel support in <a href="#">Table 6-5</a> .....   | <b>32</b> |
| • Added 4, 8, and 12 block lengths in <a href="#">Table 6-7</a> .....   | <b>32</b> |
| • Added 4 subband support in <a href="#">Table 6-8</a> .....  | <b>32</b> |
| • Added SNR support in <a href="#">Table 6-9</a> .....  | <b>32</b> |
| • Added Assisted A2DP sink range of 2–54 in <a href="#">Table 6-10</a> .....  | <b>32</b> |
| • Changed <a href="#">Section 6.5, Bluetooth BR/EDR Description</a> .....   | <b>34</b> |
| • Changed <a href="#">Section 6.6, Bluetooth LE Description</a> .....   | <b>35</b> |
| • Changed <a href="#">Figure 7-1</a> .....  | <b>37</b> |
| • Changed description of 0.1- $\mu$ F and 1.0- $\mu$ F capacitors and of reference designators C31 and U5 and in <a href="#">Table 7-1</a> .. | <b>37</b> |
| • Changed A1 corner orientation in <a href="#">Figure 9-3</a> .....   | <b>43</b> |

### 3 Device Comparison

Table 3-1 lists the features of the CC256x device variants.

**Table 3-1. CC256x Family Members**

| DEVICE                          | DESCRIPTION              | TECHNOLOGY SUPPORTED |    |     | ASSISTED MODES SUPPORTED <sup>(1)</sup> |      |
|---------------------------------|--------------------------|----------------------|----|-----|---|------|
|                                 |                          | BR/EDR               | LE | ANT | HFP 1.6 (WBS)                           | A2DP |
| CC2560A (NRND) <sup>(2)</sup>   | Bluetooth 4.0 (with EDR) | √                    |    |     |   |      |
| CC2564 (NRND) <sup>(2)(3)</sup> | Bluetooth 4.0 + BLE      | √                    | √  |     |   |      |
|                                 | Bluetooth 4.0 + ANT      | √                    |    | √   |   |      |
| CC2560B                         | Bluetooth 4.1 (with EDR) | √                    |    |     | √                                       | √    |
| CC2564B <sup>(3)</sup>          | Bluetooth 4.1 + BLE      | √                    | √  |     | √                                       | √    |
|                                 | Bluetooth 4.1 + ANT      | √                    |    | √   | √                                       | √    |

(1) The assisted modes (HFP 1.6 and A2DP) are not supported simultaneously. Furthermore, the assisted modes are not supported simultaneously with BLE or ANT.

(2) NRND = Not recommended for new designs

(3) Does not support simultaneous operation of LE and ANT

## 4 Terminal Configuration and Functions

Figure 4-1 shows the bottom view of the pin attributes.

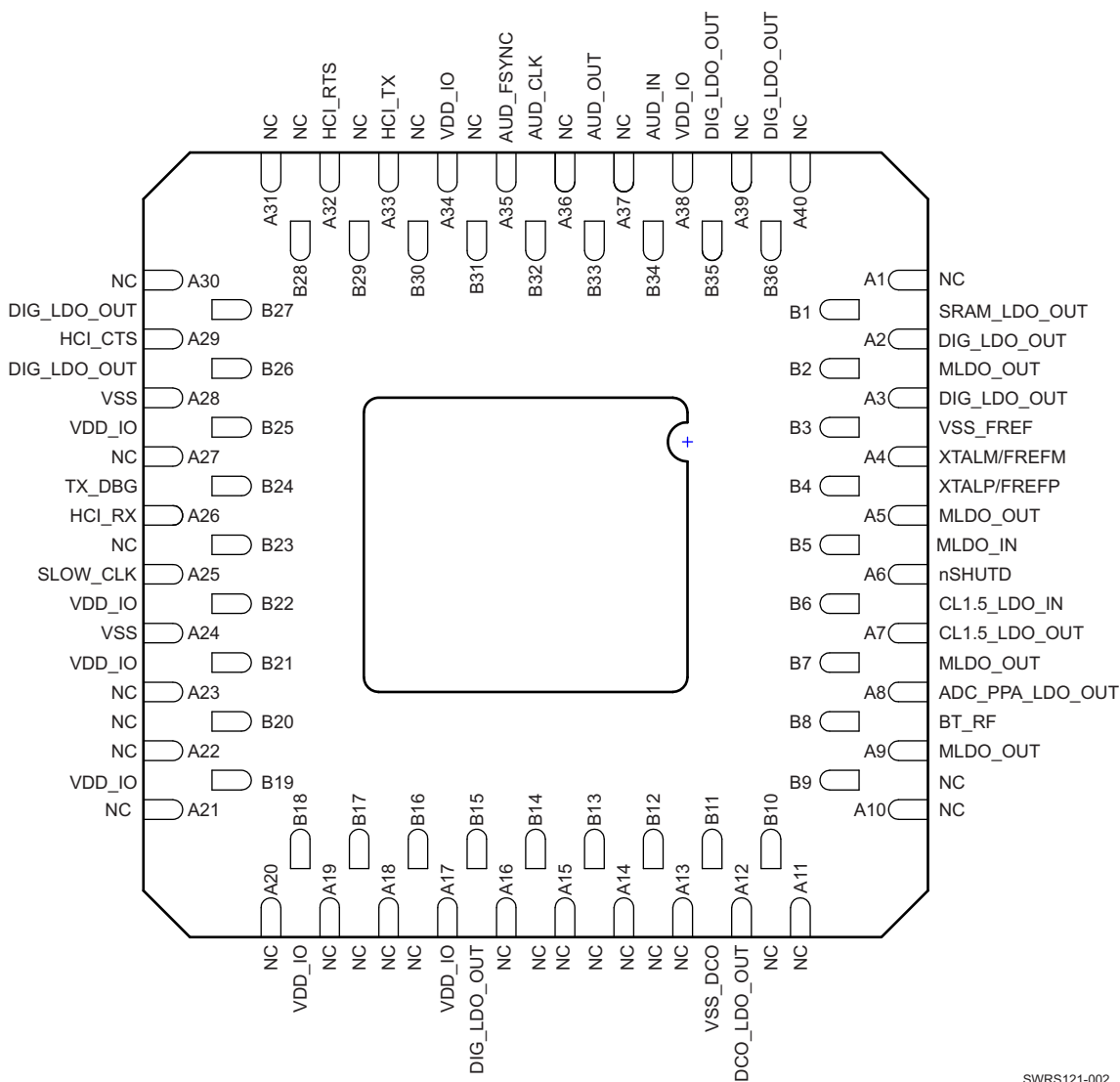


Figure 4-1. Pin Diagram (Bottom View)

SWRS121-002

## 4.1 Pin Attributes

Table 4-1 describes the pin attributes.

**Table 4-1. Pin Attributes**

| NAME                            | NO.   | PULL AT RESET | DEF. DIR. <sup>(1)</sup> | I/O Type <sup>(2)</sup> | DESCRIPTION  |           |
|---------------------------------|---|---------------|--------------------------|-------------------------|--|-----------|
| <b>I/O Signals</b>              |   |               |                          |                         |  |           |
| HCI_RX                          | A26   | PU            | I                        | 8 mA                    | HCI universal asynchronous receiver/transmitter (UART) data receive                            |           |
| HCI_TX                          | A33   | PU            | O                        | 8 mA                    | HCI UART data transmit   |           |
| HCI_RTS                         | A32   | PU            | O                        | 8 mA                    | HCI UART request-to-send<br>The host is allowed to send data when HCI_RTS is low.              |           |
| HCI_CTS                         | A29   | PU            | I                        | 8 mA                    | HCI UART clear-to-send<br>The CC256x device is allowed to send data when HCI_CTS is low.       |           |
| AUD_FSYNC                       | A35   | PD            | I/O                      | 4 mA                    | pulse-code modulation (PCM) frame-sync signal  | Fail-safe |
| AUD_CLK                         | B32   | PD            | I/O                      | HY, 4 mA                | PCM clock  | Fail-safe |
| AUD_IN                          | B34   | PD            | I                        | 4 mA                    | PCM data input   | Fail-safe |
| AUD_OUT                         | B33   | PD            | O                        | 4 mA                    | PCM data output  | Fail-safe |
| TX_DBG                          | B24   | PU            | O                        | 2 mA                    | TI internal debug messages. TI recommends leaving an internal test point.                      |           |
| <b>Clock Signals</b>            |   |               |                          |                         |  |           |
| SLOW_CLK                        | A25   |               | I                        |                         | 32.768-kHz clock in  | Fail-safe |
| XTALP/FREFP                     | B4  |               | I                        |                         | Fast clock in analog (sine wave)<br>Output terminal of fast-clock crystal                      | Fail-safe |
| XTALM/FREFM                     | A4  |               | I                        |                         | Fast clock in digital (square wave)<br>Input terminal of fast-clock crystal                    | Fail-safe |
| <b>Analog Signals</b>           |   |               |                          |                         |  |           |
| BT_RF                           | B8  |               | I/O                      |                         | Bluetooth RF I/O   |           |
| nSHUTD                          | A6  | PD            | I                        |                         | Shutdown input (active low)  |           |
| <b>Power and Ground Signals</b> |   |               |                          |                         |  |           |
| VDD_IO                          | A17,<br>A34,<br>A38,<br>B18,<br>B19,<br>B21,<br>B22,<br>B25 |               | I                        |                         | I/O power supply (1.8-V nominal)   |           |
| MLDO_IN                         | B5  |               | I                        |                         | Main LDO input<br>Connect directly to battery  |           |
| MLDO_OUT                        | A5, A9,<br>B2, B7   |               | I/O                      |                         | Main LDO output (1.8-V nominal)  |           |
| CL1.5_LDO_IN                    | B6  |               | I                        |                         | Power amplifier (PA) LDO input<br>Connect directly to battery                                  |           |
| CL1.5_LDO_OUT                   | A7  |               | O                        |                         | PA LDO output  |           |
| DIG_LDO_OUT                     | A2, A3,<br>B15,<br>B26,<br>B27,<br>B35,<br>B36              |               | O                        |                         | Digital LDO output<br>QFN pin B26 or B27 must be shorted to other DIG_LDO_OUT pins on the PCB. |           |
| SRAM_LDO_OUT                    | B1  |               | O                        |                         | SRAM LDO output  |           |
| DCO_LDO_OUT                     | A12   |               | O                        |                         | DCO LDO output   |           |
| ADC_PPA_LDO_OUT                 | A8  |               | O                        |                         | ADC/PPA LDO output   |           |

(1) I = input; O = output; I/O = bidirectional

(2) I/O Type: Digital I/O cells. HY = input hysteresis, current = typical output current

**Table 4-1. Pin Attributes (continued)**

| NAME     | NO.      | PULL AT RESET | DEF. DIR. <sup>(1)</sup> | I/O Type <sup>(2)</sup> | DESCRIPTION       |
|----------|----------|---------------|--------------------------|-------------------------|-------------------|
| VSS      | A24, A28 |               | I                        |                         | Ground            |
| VSS_DCO  | B11      |               | I                        |                         | DCO ground        |
| VSS_FREF | B3       |               | I                        |                         | Fast clock ground |

## 4.2 Connections for Unused Signals

Table 4-2 lists the connections for unused signals.

**Table 4-2. Connections for Unused Signals**

| FUNCTION | PIN NUMBER | DESCRIPTION     |
|----------|------------|-----------------|
| NC       | A1         | Not connected   |
| NC       | A10        | Not connected   |
| NC       | A11        | Not connected   |
| NC       | A14        | Not connected   |
| NC       | A18        | Not connected   |
| NC       | A19        | Not connected   |
| NC       | A20        | Not connected   |
| NC       | A21        | Not connected   |
| NC       | A22        | Not connected   |
| NC       | A23        | Not connected   |
| NC       | A27        | Not connected   |
| NC       | A30        | Not connected   |
| NC       | A31        | Not connected   |
| NC       | A40        | Not connected   |
| NC       | B9         | Not connected   |
| NC       | B10        | Not connected   |
| NC       | B16        | Not connected   |
| NC       | B17        | Not connected   |
| NC       | B20        | Not connected   |
| NC       | B23        | Not connected   |
| NC       | A13        | TI internal use |
| NC       | A15        | TI internal use |
| NC       | A16        | TI internal use |
| NC       | A36        | TI internal use |
| NC       | A37        | TI internal use |
| NC       | A39        | TI internal use |
| NC       | B12        | TI internal use |
| NC       | B13        | TI internal use |
| NC       | B14        | TI internal use |
| NC       | B29        | TI internal use |
| NC       | B30        | TI internal use |
| NC       | B31        | TI internal use |
| NC       | B28        | TI internal use |



## 5 Specifications

Unless otherwise indicated, all measurements are taken at the device pins of the TI test evaluation board (EVB). All specifications are over process, voltage, and temperature, unless otherwise indicated.

### 5.1 Absolute Maximum Ratings<sup>(1)</sup>

Over operating free-air temperature range (unless otherwise indicated). All parameters are measured as follows: VDD\_IN = 3.6 V and VDD\_IO = 1.8 V (unless otherwise indicated).

| PARAMETERS   |            | MIN  | MAX          | UNIT             |
|--|------------|------|--------------|------------------|
| Supply voltage range   | VDD_IN     | -0.5 | 4.8          | V <sup>(1)</sup> |
|  | VDDIO_1.8V | -0.5 | 2.145        | V                |
| Input voltage to analog pins <sup>(2)</sup>                        |            | -0.5 | 2.1          | V                |
| Input voltage to all other pins                                    |            | -0.5 | VDD_IO + 0.5 | V                |
| Bluetooth RF inputs  |            |      | 10           | dBm              |
| Operating ambient temperature range, T <sub>A</sub> <sup>(3)</sup> |            | -40  | 85           | °C               |
| Storage temperature range, T <sub>stg</sub>                        |            | -55  | 125          | °C               |

- (1) Stresses beyond those listed under absolute maximum ratings may cause permanent damage to the device. These are stress ratings only and functional operation of the device at these or any other conditions beyond those indicated under recommended operating conditions is not implied. Exposure to absolute-maximum-rated conditions for extended periods may affect device reliability.
- (1) Maximum allowed depends on accumulated time at that voltage: VDD\_IN is defined in [Section 7.1, Reference Design for Power and Radio Connections](#).
- (2) Analog pins: BT\_RF, XTALP, and XTALM
- (3) The reference design supports a temperature range of -20°C to 70°C because of the operating conditions of the crystal.

### 5.2 ESD Ratings

|  |  | VALUE | UNIT |
|--|--|-------|------|
| V <sub>(ESD)</sub> electrostatic discharge | Human-body model (HBM), per ANSI/ESDA/JEDEC JS-001 <sup>(1)</sup>                      | ±500  | V    |
|  | Charged device model (CDM), per JEDEC specification JESD22- ±YYY V C101 <sup>(2)</sup> | ±250  |      |

- (1) JEDEC document JEP155 states that 500-V HBM allows safe manufacturing with a standard ESD control process.
- (2) JEDEC document JEP157 states that 250-V CDM allows safe manufacturing with a standard ESD control process.

### 5.3 Power-On Hours

| DEVICE | CONDITIONS   | POWER-ON HOURS   |
|--------|--|------------------|
| CC256x | Duty cycle = 25% active and 75% sleep<br>T <sub>ambient</sub> = 70°C | 15,400 (7 Years) |

### 5.4 Recommended Operating Conditions

| RATING  | CONDITION | SYM                               | MIN           | MAX           | UNIT |
|---|-----------|-----------------------------------|---------------|---------------|------|
| Power supply voltage  |           | VDD_IN                            | 2.2           | 4.8           | V    |
| I/O power supply voltage  |           | VDD_IO                            | 1.62          | 1.92          | V    |
| High-level input voltage  | Default   | V <sub>IH</sub>                   | 0.65 x VDD_IO | VDD_IO        | V    |
| Low-level input voltage   | Default   | V <sub>IL</sub>                   | 0             | 0.35 x VDD_IO | V    |
| I/O input rise and all times, 10% to 90% — asynchronous mode                                |           | t <sub>r</sub> and t <sub>f</sub> | 1             | 10            | ns   |
| I/O input rise and fall times, 10% to 90% — synchronous mode (PCM)                          |           |                                   | 1             | 2.5           | ns   |
| Voltage dips on VDD_IN (V <sub>BAT</sub> )<br>duration = 577 μs to 2.31 ms, period = 4.6 ms |           |                                   |               | 400           | mV   |
| Maximum ambient operating temperature <sup>(1) (2)</sup>                                    |           |                                   | -40           | 85            | °C   |

- (1) The device can be reliably operated for 7 years at T<sub>ambient</sub> of 85°C, assuming 25% active mode and 75% sleep mode (15,400 cumulative active power-on hours).
- (2) A crystal-based solution is limited by the temperature range required for the crystal to meet 20 ppm.

## 5.5 Power Consumption Summary

### 5.5.1 Static Current Consumption

| OPERATIONAL MODE                              | MIN | TYP | MAX   | UNIT |
|---|-----|-----|-------|------|
| Shutdown mode <sup>(1)</sup>                  |     | 1   | 7     | μA   |
| Deep sleep mode <sup>(2)</sup>                |     | 40  | 105   | μA   |
| Total I/O current consumption in active mode  |     |     | 1     | mA   |
| Continuous transmission—GFSK <sup>(3)</sup>   |     |     | 107   | mA   |
| Continuous transmission—EDR <sup>(4)(5)</sup> |     |     | 112.5 | mA   |

(1)  $V_{BAT} + V_{IO} + V_{SHUTDOWN}$

(2)  $V_{BAT} + V_{IO}$

(3) At maximum output power (10 dBm)

(4) At maximum output power (8 dBm)

(5) Both  $\pi/4$  DQPSK and 8DPSK

### 5.5.2 Dynamic Current Consumption

#### 5.5.2.1 Current Consumption for Different Bluetooth BR/EDR Scenarios

Conditions: VDD\_IN = 3.6 V, 25°C, 26-MHz XTAL, nominal unit, 10-dBm output power

| OPERATIONAL MODE  | MASTER AND SLAVE | AVERAGE CURRENT | UNIT |
|---|------------------|-----------------|------|
| Synchronous connection oriented (SCO) link HV3                    | Master and slave | 13.7            | mA   |
| Extended SCO (eSCO) link EV3 64 kbps, no retransmission           | Master and slave | 13.2            | mA   |
| eSCO link 2-EV3 64 kbps, no retransmission                        | Master and slave | 10              | mA   |
| GFSK full throughput: TX = DH1, RX = DH5                          | Master and slave | 40.5            | mA   |
| EDR full throughput: TX = 2-DH1, RX = 2-DH5                       | Master and slave | 41.2            | mA   |
| EDR full throughput: TX = 3-DH1, RX = 3-DH5                       | Master and slave | 41.2            | mA   |
| Sniff, four attempt, 1.28 seconds                                 | Master and slave | 145             | μA   |
| Page or inquiry scan 1.28 seconds, 11.25 ms                       | Master and slave | 320             | μA   |
| Page (1.28 seconds) and inquiry (2.56 seconds) scans, 11.25 ms    | Master and slave | 445             | μA   |
| A2DP source   | Master           | 13.9            | mA   |
| A2DP sink   | Master           | 15.2            | mA   |
| Assisted A2DP source  | Master           | 16.9            | mA   |
| Assisted A2DP sink  | Master           | 18.1            | mA   |
| Assisted WBS EV3; retransmit effort = 2; maximum latency = 8 ms   | Master and slave | 17.5 and 18.5   | mA   |
| Assisted WBS 2EV3; retransmit effort = 2; maximum latency = 12 ms | Master and slave | 11.9 and 13     | mA   |

### 5.5.2.2 Current Consumption for Different LE Scenarios

Conditions: VDD\_IN = 3.6 V, 25°C, 26-MHz fast clock, nominal unit, 10-dBm output power

| MODE                        |             | DESCRIPTION   | AVERAGE CURRENT | UNIT |
|-----------------------------|-------------|---|-----------------|------|
| Advertising, nonconnectable |             | Advertising in all three channels<br>1.28-seconds advertising interval<br>15 bytes advertise data | 114             | μA   |
| Advertising, discoverable   |             | Advertising in all three channels<br>1.28-seconds advertising interval<br>15 bytes advertise data | 138             | μA   |
| Scanning                    |             | Listening to a single frequency per window<br>1.28-seconds scan interval<br>11.25-ms scan window  | 324             | μA   |
| Connected                   | Master role | 500-ms connection interval  | 169             | μA   |
|                             | Slave role  | 0-ms slave connection latency<br>Empty TX and RX LL packets                                       | 199             |      |

## 5.6 Electrical Characteristics

| RATING  |                     | CONDITION              | MIN          | MAX          | UNIT |    |
|---|---------------------|------------------------|--------------|--------------|------|----|
| High-level output voltage, V <sub>OH</sub>            |                     | At 2, 4, 8 mA          | 0.8 x VDD_IO | VDD_IO       | V    |    |
|   |                     | At 0.1 mA              | VDD_IO – 0.2 | VDD_IO       |      |    |
| Low-level output voltage, V <sub>OL</sub>             |                     | At 2, 4, 8 mA          | 0            | 0.2 x VDD_IO | V    |    |
|   |                     | At 0.1 mA              | 0            | 0.2          |      |    |
| I/O input impedance                                   |                     | Resistance             | 1            |              | MΩ   |    |
|   |                     | Capacitance            |              | 5            | pF   |    |
| Output rise and fall times, 10% to 90% (digital pins) |                     | C <sub>L</sub> = 20 pF |              | 10           | ns   |    |
| I/O pull currents                                     | PCM-I2S bus, TX_DBG | PU                     | typ = 6.5    | 3.5          | 9.7  | μA |
|   |                     | PD                     | typ = 27     | 9.5          | 55   |    |
|   | All others          | PU                     | typ = 100    | 50           | 300  |    |
|   |                     | PD                     | typ = 100    | 50           | 360  |    |

## 5.7 Timing and Switching Characteristics

### 5.7.1 Device Power Supply

The CC256x power-management hardware and software algorithms provide significant power savings, which is a critical parameter in an MCU-based system.

The power-management module is optimized for drawing extremely low currents.

#### 5.7.1.1 Power Sources

The CC256x device requires two power sources:

- VDD\_IN: main power supply for the device
- VDD\_IO: power source for the 1.8-V I/O ring

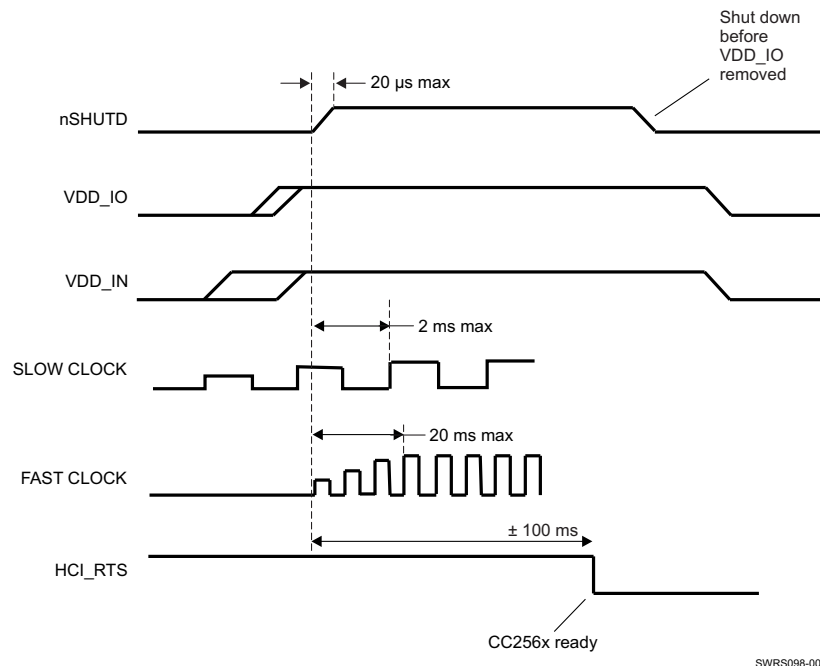
The HCI module includes several on-chip voltage regulators for increased noise immunity and can be connected directly to the battery.

#### 5.7.1.2 Device Power-Up and Power-Down Sequencing

The device includes the following power-up requirements (see [Figure 5-1](#)):

- nSHUTD must be low. VDD\_IN and VDD\_IO are don't-care when nSHUTD is low. However, signals are not allowed on the I/O pins if I/O power is not supplied, because the I/Os are not fail-safe. Exceptions are SLOW\_CLK\_IN and AUD\_xxx, which are fail-safe and can tolerate external voltages with no VDD\_IO and VDD\_IN.
- VDD\_IO and VDD\_IN must be stable before releasing nSHUTD.
- The fast clock must be stable within 20 ms of nSHUTD going high.
- The slow clock must be stable within 2 ms of nSHUTD going high.

The device indicates that the power-up sequence is complete by asserting RTS low, which occurs up to 100 ms after nSHUTD goes high. If RTS does not go low, the device is not powered up. In this case, ensure that the sequence and requirements are met.



**Figure 5-1. Power-Up and Power-Down Sequence**

### 5.7.1.3 Power Supplies and Shutdown – Static States

The nSHUTD signal puts the device in ultra-low power mode and performs an internal reset to the device. The rise time for nSHUTD must not exceed 20  $\mu$ s; nSHUTD must be low for a minimum of 5 ms.

To prevent conflicts with external signals, all I/O pins are set to the high-impedance (Hi-Z) state during shutdown and power up of the device. The internal pull resistors are enabled on each I/O pin, as described in [Section 4.1, Pin Attributes](#). [Table 5-1](#) describes the static operation states.

**Table 5-1. Power Modes**

|   | VDD_IN <sup>(1)</sup> | VDD_IO <sup>(1)</sup> | nSHUTD <sup>(1)</sup> | PM_MODE     | COMMENTS  |
|---|-----------------------|-----------------------|-----------------------|-------------|---|
| 1 | None                  | None                  | Asserted              | Shut down   | I/O state is undefined. No I/O voltages are allowed on nonfail-safe pins. |
| 2 | None                  | None                  | Deasserted            | Not allowed | I/O state is undefined. No I/O voltages are allowed on nonfail-safe pins. |
| 3 | None                  | Present               | Asserted              | Shut down   | I/Os are defined as 3-state with internal pullup or pulldown enabled.     |
| 4 | None                  | Present               | Deasserted            | Not allowed | I/O state is undefined. No I/O voltages are allowed on nonfail-safe pins. |
| 5 | Present               | None                  | Asserted              | Shut down   | I/O state is undefined.   |
| 6 | Present               | None                  | Deasserted            | Not allowed | I/O state is undefined. No I/O voltages are allowed on nonfail-safe pins. |
| 7 | Present               | Present               | Asserted              | Shut down   | I/Os are defined as 3-state with internal pullup or pulldown enabled.     |
| 8 | Present               | Present               | Deasserted            | Active      | See <a href="#">Section 5.7.1.4, I/O States in Various Power Modes</a>    |

(1) The terms *None* or *Asserted* can imply any of the following conditions: directly pulled to ground or driven low, pulled to ground through a pulldown resistor, or left NC or floating (high-impedance output stage).

### 5.7.1.4 I/O States in Various Power Modes

#### CAUTION

Some device I/Os are not fail-safe (see [Section 4.1, Pin Attributes](#)). Fail-safe means that the pins do not draw current from an external voltage applied to the pin when I/O power is not supplied to the device. External voltages are not allowed on these I/O pins when the I/O supply voltage is not supplied because of possible damage to the device.

[Table 5-2](#) lists the I/O states in various power modes.

**Table 5-2. I/O States in Various Power Modes**

| I/O NAME  | SHUT DOWN <sup>(1)</sup> |      | DEFAULT ACTIVE <sup>(1)</sup> |      | DEEP SLEEP <sup>(1)</sup> |      |
|-----------|--------------------------|------|-------------------------------|------|---------------------------|------|
|           | I/O State                | Pull | I/O State                     | Pull | I/O State                 | Pull |
| HCI_RX    | Z                        | PU   | I                             | PU   | I                         | PU   |
| HCI_TX    | Z                        | PU   | O-H                           |      | O                         |      |
| HCI_RTS   | Z                        | PU   | O-H                           |      | O                         |      |
| HCI_CTS   | Z                        | PU   | I                             | PU   | I                         | PU   |
| AUD_CLK   | Z                        | PD   | I                             | PD   | I                         | PD   |
| AUD_FSYNC | Z                        | PD   | I                             | PD   | I                         | PD   |
| AUD_IN    | Z                        | PD   | I                             | PD   | I                         | PD   |
| AUD_OUT   | Z                        | PD   | Z                             | PD   | Z                         | PD   |
| TX_DBG    | Z                        | PU   | O                             |      |                           |      |

(1) I = input, O = output, Z = Hi-Z, — = no pull, PU = pullup, PD = pulldown, H = high, L = low

### 5.7.1.5 nSHUTD Requirements

| PARAMETER   | SYM                               | MIN  | MAX  | UNIT |
|---|-----------------------------------|------|------|------|
| Operation mode level <sup>(1)</sup>                 | V <sub>IH</sub>                   | 1.42 | 1.98 | V    |
| Shutdown mode level <sup>(1)</sup>                  | V <sub>IL</sub>                   | 0    | 0.4  | V    |
| Minimum time for nSHUT_DOWN low to reset the device |                                   | 5    |      | ms   |
| Rise and fall times                                 | t <sub>r</sub> and t <sub>f</sub> |      | 20   | μs   |

(1) An internal pulldown retains shut-down mode when no external signal is applied to this pin.

## 5.7.2 Clock Specifications

### 5.7.2.1 Slow Clock Requirements

An external source must supply the slow clock and connect to the SLOW\_CLK\_IN pin (for example, the host or external crystal oscillator). The source must be a digital signal in the range of 0 to 1.8 V. The accuracy of the slow clock frequency must be 32.768 kHz ±250 ppm for *Bluetooth* use (as specified in the *Bluetooth* specification). The external slow clock must be stable within 64 slow-clock cycles (2 ms) following the release of nSHUTD.

| CHARACTERISTICS   | CONDITION               | SYM                               | MIN              | TYP   | MAX              | UNIT   |
|---|-------------------------|-----------------------------------|------------------|-------|------------------|--------|
| Input slow clock frequency  |                         |                                   |                  | 32768 |                  | Hz     |
| Input slow clock accuracy<br>(Initial + temp + aging)                   | <i>Bluetooth</i>        |                                   |                  |       | ±250             | ppm    |
|   | ANT                     |                                   |                  |       | ±50              |        |
| Input transition time t <sub>r</sub> and t <sub>f</sub><br>(10% to 90%) |                         | t <sub>r</sub> and t <sub>f</sub> |                  |       | 200              | ns     |
| Frequency input duty cycle  |                         |                                   | 15%              | 50%   | 85%              |        |
| Slow clock input voltage limits   | Square wave, DC-coupled | V <sub>IH</sub>                   | 0.65 ×<br>VDD_IO |       | VDD_IO           | V peak |
|   |                         | V <sub>IL</sub>                   | 0                |       | 0.35 ×<br>VDD_IO | V peak |
| Input impedance   |                         |                                   | 1                |       |                  | MΩ     |
| Input capacitance   |                         |                                   |                  |       | 5                | pF     |

### 5.7.2.2 External Fast Clock Crystal Requirements and Operation

| CHARACTERISTICS                                       | CONDITION   | SYM             | MIN | TYP      | MAX | UNIT |
|---|---|-----------------|-----|----------|-----|------|
| Supported crystal frequencies                         |   | f <sub>in</sub> |     | 26, 38.4 |     | MHz  |
| Frequency accuracy<br>(Initial + temperature + aging) |   |                 |     |          | ±20 | ppm  |
| Crystal oscillator negative resistance                | 26 MHz, external capacitance = 8 pF<br>I <sub>osc</sub> = 0.5 mA  |                 | 650 | 940      |     | Ω    |
|   | 26 MHz, external capacitance = 20 pF<br>I <sub>osc</sub> = 2.2 mA |                 | 490 | 710      |     |      |

### 5.7.2.3 Fast Clock Source Requirements (–40°C to +85°C)

| CHARACTERISTICS                 | CONDITION                          | SYM              | MIN  | TYP      | MAX  | UNIT             |
|---------------------------------|------------------------------------|------------------|------|----------|------|------------------|
| Supported frequencies           |                                    | F <sub>REF</sub> |      | 26, 38.4 |      | MHz              |
| Reference frequency accuracy    | Initial + temp + aging             |                  |      |          | ±20  | ppm              |
| Fast clock input voltage limits | Square wave, DC-coupled            | V <sub>IL</sub>  | –0.2 |          | 0.37 | V                |
|                                 |                                    | V <sub>IH</sub>  | 1.0  |          | 2.1  | V                |
|                                 | Sine wave, AC-coupled              |                  | 0.4  |          | 1.6  | V <sub>p-p</sub> |
|                                 | Sine wave, DC-coupled              |                  | 0.4  |          | 1.6  | V <sub>p-p</sub> |
|                                 | Sine wave input limits, DC-coupled |                  | 0.0  |          | 1.6  | V                |

| CHARACTERISTICS                                   | CONDITION               | SYM | MIN | TYP | MAX    | UNIT   |
|---|-------------------------|-----|-----|-----|--------|--------|
| Fast clock input rise time (as % of clock period) | Square wave, DC-coupled |     |     |     | 10%    |        |
| Duty cycle  |                         |     | 35% | 50% | 65%    |        |
| Phase noise for 26 MHz                            | @ offset = 1 kHz        |     |     |     | -123.4 | dBc/Hz |
|   | @ offset = 10 kHz       |     |     |     | -133.4 |        |
|   | @ offset = 100 kHz      |     |     |     | -138.4 |        |

### 5.7.3 Peripherals

#### 5.7.3.1 UART

Figure 5-2 shows the UART timing diagram.

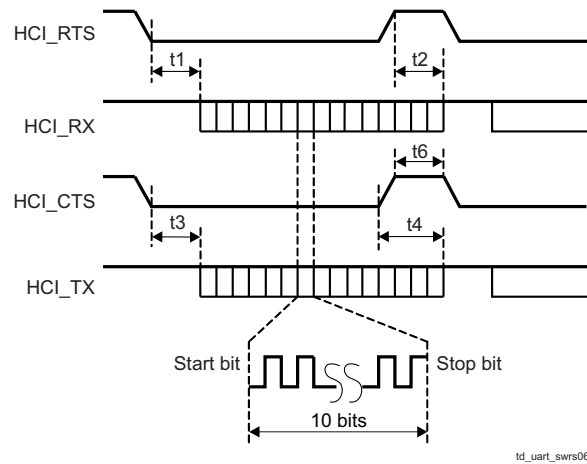


Figure 5-2. UART Timing

Table 5-3 lists the UART timing characteristics.

Table 5-3. UART Timing Characteristics

| SYMBOL | CHARACTERISTICS             | CONDITION                 | MIN    | TYP | MAX   | UNIT |
|--------|-----------------------------|---------------------------|--------|-----|-------|------|
|        | Baud rate                   |                           | 37.5   |     | 4000  | kbps |
|        | Baud rate accuracy per byte | Receive and transmit      | -2.5%  |     | 1.5%  |      |
|        | Baud rate accuracy per bit  | Receive and transmit      | -12.5% |     | 12.5% |      |
| t3     | CTS low to TX_DATA on       |                           | 0      | 2   |       | μs   |
| t4     | CTS high to TX_DATA off     | Hardware flow control     |        |     | 1     | byte |
| t6     | CTS-high pulse width        |                           | 1      |     |       | bit  |
| t1     | RTS low to RX_DATA on       |                           | 0      | 2   |       | μs   |
| t2     | RTS high to RX_DATA off     | Interrupt set to 1/4 FIFO |        |     | 16    | byte |

Figure 5-3 shows the UART data frame.

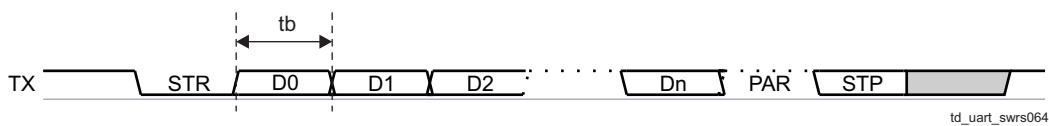


Figure 5-3. Data Frame

Table 5-4 describes the symbols used in Figure 5-3.

**Table 5-4. Data Frame Key**

| SYMBOL  | DESCRIPTION           |
|---------|-----------------------|
| STR     | Start bit             |
| D0...Dn | Data bits (LSB first) |
| PAR     | Parity bit (optional) |
| STP     | Stop bit              |

**5.7.3.2 PCM**

Figure 5-4 shows the interface timing for the PCM.

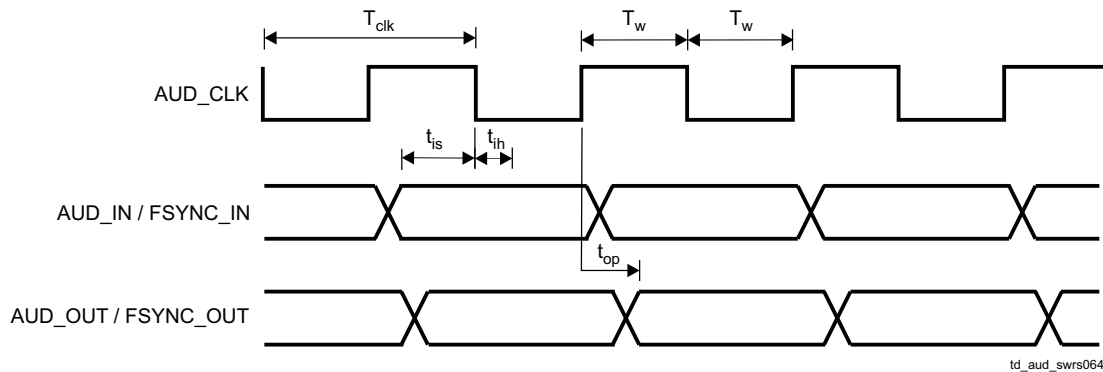
**Figure 5-4. PCM Interface Timing**

Table 5-5 lists the associated PCM master parameters.

**Table 5-5. PCM Master**

| Symbol    | PARAMETER                  | CONDITION  | MIN                   | MAX               | UNIT |
|-----------|----------------------------|------------|-----------------------|-------------------|------|
| $T_{clk}$ | Cycle time                 |            | 244.14<br>(4.096 MHz) | 15625<br>(64 kHz) | ns   |
| $T_w$     | High or low pulse width    |            | 50% of $T_{clk}$ min  |                   | ns   |
| $t_{is}$  | AUD_IN setup time          |            | 25                    |                   | ns   |
| $t_{ih}$  | AUD_IN hold time           |            | 0                     |                   | ns   |
| $t_{op}$  | AUD_OUT propagation time   | 40-pF load | 0                     | 10                | ns   |
| $t_{op}$  | FSYNC_OUT propagation time | 40-pF load | 0                     | 10                | ns   |

Table 5-6 lists the associated PCM slave parameters.

**Table 5-6. PCM Slave**

| SYMBOL    | PARAMETER                | CONDITION  | MIN               | MAX | UNIT |
|-----------|--------------------------|------------|-------------------|-----|------|
| $T_{clk}$ | Cycle time               |            | 66.67<br>(15 MHz) |     | ns   |
| $T_w$     | High or low pulse width  |            | 40% of $T_{clk}$  |     | ns   |
| $T_{is}$  | AUD_IN setup time        |            | 8                 |     | ns   |
| $T_{ih}$  | AUD_IN hold time         |            | 0                 |     | ns   |
| $t_{is}$  | AUD_FSYNC setup time     |            | 8                 |     | ns   |
| $t_{ih}$  | AUD_FSYNC hold time      |            | 0                 |     | ns   |
| $t_{op}$  | AUD_OUT propagation time | 40-pF load | 0                 | 21  | ns   |



## 5.7.4 RF Performance

### 5.7.4.1 Bluetooth BR/EDR RF Performance

All parameters in this section that are fast-clock dependent are verified using a 26-MHz XTAL under a temperature range from –20°C to 70°C and an RF load of 50 Ω at the BT\_RF port.

#### 5.7.4.1.1 Bluetooth Receiver—In-Band Signals

| CHARACTERISTICS                                      | CONDITION                                  |            | MIN   | TYP   | MAX  | BLUETOOTH SPECIFICATION | UNIT |
|--|--|------------|-------|-------|------|-------------------------|------|
| Operation frequency range                            |  |            | 2402  |       | 2480 |                         | MHz  |
| Channel spacing                                      |  |            |       | 1     |      |                         | MHz  |
| Input impedance                                      |  |            |       | 50    |      |                         | Ω    |
| Sensitivity, dirty TX on <sup>(1)</sup>              | GFSK, BER = 0.1%                           |            | –91.5 | –95   |      | –70                     | dBm  |
|  | Pi/4-DQPSK, BER = 0.01%                    |            | –90.5 | –94.5 |      | –70                     |      |
|  | 8DPSK, BER = 0.01%                         |            | –81   | –87.5 |      | –70                     |      |
| BER error floor at sensitivity + 10dB, dirty TX off  | Pi/4-DQPSK                                 |            | 1E–6  | 1E–7  |      | 1E–5                    |      |
|  | 8DPSK                                      |            | 1E–6  |       |      | 1E–5                    |      |
| Maximum usable input power                           | GFSK, BER = 0.1%                           |            | –5    |       |      | –20                     | dBm  |
|  | Pi/4-DQPSK, BER = 0.1%                     |            | –10   |       |      |                         |      |
|  | 8DPSK, BER = 0.1%                          |            | –10   |       |      |                         |      |
| Intermodulation characteristics                      | Level of interferers (for n = 3, 4, and 5) |            | –36   | –30   |      | –39                     | dBm  |
| C/I performance <sup>(2)</sup><br><br>Image = –1 MHz | GFSK, co-channel                           |            |       | 8     | 10   | 11                      | dB   |
|  | EDR, co-channel                            | Pi/4-DQPSK |       | 9.5   | 11   | 13                      |      |
|  |  | 8DPSK      |       | 16.5  | 20   | 21                      |      |
|  | GFSK, adjacent ±1 MHz                      |            |       | –10   | –5   | 0                       |      |
|  | EDR, adjacent ±1 MHz, (image)              | Pi/4-DQPSK |       | –10   | –5   | 0                       |      |
|  |  | 8DPSK      |       | –5    | –1   | 5                       |      |
|  | GFSK, adjacent +2 MHz                      |            |       | –38   | –35  | –30                     |      |
|  | EDR, adjacent, +2 MHz                      | Pi/4-DQPSK |       | –38   | –35  | –30                     |      |
|  |  | 8DPSK      |       | –38   | –30  | –25                     |      |
|  | GFSK, adjacent –2 MHz                      |            |       | –28   | –20  | –20                     |      |
|  | EDR, adjacent –2 MHz                       | Pi/4-DQPSK |       | –28   | –20  | –20                     |      |
|  |  | 8DPSK      |       | –22   | –13  | –13                     |      |
|  | GFSK, adjacent ≥  ±3  MHz                  |            |       | –45   | –43  | –40                     |      |
|  | EDR, adjacent ≥  ±3  MHz                   | Pi/4-DQPSK |       | –45   | –43  | –40                     |      |
|  |  | 8DPSK      |       | –44   | –36  | –33                     |      |
| RF return loss                                       |  |            |       | –10   |      |                         | dB   |
| RX mode LO leakage                                   | Frf = (received RF – 0.6 MHz)              |            |       | –63   | –58  |                         | dBm  |

(1) Sensitivity degradation up to 3 dB may occur for minimum and typical values where the *Bluetooth* frequency is a harmonic of the fast clock.

(2) Numbers show ratio of desired signal to interfering signal. Smaller numbers indicate better C/I performance.

#### 5.7.4.1.2 Bluetooth Receiver—General Blocking

| CHARACTERISTICS  | CONDITION        | MIN | TYP | UNIT |
|--|------------------|-----|-----|------|
| Blocking performance over full range, according to <i>Bluetooth</i> specification <sup>(1)</sup> | 30 to 2000 MHz   |     | –6  | dBm  |
|  | 2000 to 2399 MHz |     | –6  |      |
|  | 2484 to 3000 MHz |     | –6  |      |
|  | 3 to 12.75 GHz   |     | –6  |      |

(1) Exceptions are taken out of the total 24 allowed in the *Bluetooth* specification.

### 5.7.4.1.3 Bluetooth Transmitter—GFSK

| CHARACTERISTICS                            | MIN | TYP | MAX | BLUETOOTH SPECIFICATION | UNIT |
|--|-----|-----|-----|-------------------------|------|
| Maximum RF output power <sup>(1)</sup>     | 10  | 12  |     |                         | dBm  |
| Power variation over <i>Bluetooth</i> band | -1  |     | 1   |                         | dB   |
| Gain control range                         |     | 30  |     |                         | dB   |
| Power control step                         | 2   | 5   | 8   | 2 to 8                  |      |
| Adjacent channel power  M-N  = 2           |     | -45 | -39 | ≤ -20                   | dBm  |
| Adjacent channel power  M-N  > 2           |     | -50 | -42 | ≤ -40                   |      |

(1) To modify maximum output power, use an HCI VS command.

### 5.7.4.1.4 Bluetooth Transmitter—EDR

| CHARACTERISTICS                                 |            | MIN | TYP | MAX | BLUETOOTH SPECIFICATION | UNIT |
|---|------------|-----|-----|-----|-------------------------|------|
| Maximum RF output power <sup>(1)</sup>          | Pi/4-DQPSK | 6   | 8   |     |                         | dBm  |
|   | 8DPSK      | 6   | 8   |     |                         |      |
| Relative power                                  |            | -2  |     | 1   | -4 to +1                | dB   |
| Power variation over <i>Bluetooth</i> band      |            | -1  |     | 1   |                         | dB   |
| Gain control range                              |            |     | 30  |     |                         | dB   |
| Power control step                              |            | 2   | 5   | 8   | 2 to 8                  | dB   |
| Adjacent channel power  M-N  = 1                |            |     | -36 | -30 | ≤ -26                   | dBc  |
| Adjacent channel power  M-N  = 2 <sup>(2)</sup> |            |     | -30 | -23 | ≤ -20                   | dBm  |
| Adjacent channel power  M-N  > 2 <sup>(2)</sup> |            |     | -42 | -40 | ≤ -40                   | dBm  |

(1) To modify maximum output power, use an HCI VS command.

(2) Assumes 3-dB insertion loss from *Bluetooth* RF ball to antenna

### 5.7.4.1.5 Bluetooth Modulation—GFSK

| CHARACTERISTICS                     | CONDITION   |  | SYM    | MIN | TYP | MAX | BLUETOOTH SPECIFICATION | UNIT          |
|-------------------------------------|---|--|--------|-----|-----|-----|-------------------------|---------------|
| -20 dB bandwidth                    | GFSK  |  |        |     | 925 | 995 | ≤ 1000                  | kHz           |
| Modulation characteristics          | Δf1avg  | Mod data = 4 1 s,<br>4 0 s:<br>111100001111... | F1 avg | 150 | 165 | 170 | 140 to 175              | kHz           |
|                                     | Δf2max ≥ limit for<br>at least 99.9% of<br>all Δf2max | Mod data =<br>1010101...                       | F2 max | 115 | 130 |     | > 115                   | kHz           |
|                                     | Δf2avg, Δf1avg  |  |        |     | 85% | 88% | > 80%                   |               |
| Absolute carrier frequency drift    | DH1   |  |        | -25 |     | 25  | < ±25                   | kHz           |
|                                     | DH3 and DH5   |  |        | -35 |     | 35  | < ±40                   |               |
| Drift rate                          |   |  |        |     |     | 15  | < 20                    | kHz/<br>50 μs |
| Initial carrier frequency tolerance | f0 – fTX  |  |        | -75 |     | +75 | < ±75                   | kHz           |

### 5.7.4.1.6 Bluetooth Modulation—EDR

| CHARACTERISTICS                     | CONDITION  | MIN | TYP | MAX | BLUETOOTH SPECIFICATION | UNIT |
|-------------------------------------|------------|-----|-----|-----|-------------------------|------|
| Carrier frequency stability         |            |     |     | ±5  | ≤ 10                    | kHz  |
| Initial carrier frequency tolerance |            |     |     | ±75 | ±75                     | kHz  |
| RMS DEVM <sup>(1)</sup>             | Pi/4-DQPSK |     | 6%  | 15% | 20%                     |      |
|                                     | 8DPSK      |     | 6%  | 13% | 13%                     |      |
| 99% DEVM <sup>(1)</sup>             | Pi/4-DQPSK |     |     | 30% | 30%                     |      |
|                                     | 8DPSK      |     |     | 20% | 20%                     |      |
| Peak DEVM <sup>(1)</sup>            | Pi/4-DQPSK |     | 14% | 30% | 35%                     |      |
|                                     | 8DPSK      |     | 16% | 25% | 25%                     |      |

(1) Max performance refers to maximum TX power.

### 5.7.4.1.7 Bluetooth Transmitter—Out-of-Band and Spurious Emissions

| CHARACTERISTICS                 | CONDITION                        | TYP | MAX | UNIT |
|---------------------------------|----------------------------------|-----|-----|------|
| Second harmonic <sup>(1)</sup>  | Measured at maximum output power | -14 | -2  | dBm  |
| Third harmonic <sup>(1)</sup>   |                                  | -10 | -6  | dBm  |
| Fourth harmonics <sup>(1)</sup> |                                  | -19 | -11 | dBm  |

(1) Meets FCC and ETSI requirements with external filter shown in [Figure 7-1](#)

### 5.7.4.2 Bluetooth LE RF Performance

All parameters in this section that are fast-clock dependent are verified using a 26-MHz XTAL under a temperature range from -20°C to 70°C and an RF load of 50 Ω at the BT\_RF port.

#### 5.7.4.2.1 BLE Receiver—In-Band Signals

| CHARACTERISTIC                                   | CONDITION                              | MIN  | TYP | MAX  | BLE SPECIFICATION | UNIT |
|--|--|------|-----|------|-------------------|------|
| Operation frequency range                        |  | 2402 |     | 2480 |                   | MHz  |
| Channel spacing                                  |  |      | 2   |      |                   | MHz  |
| Input impedance                                  |  |      | 50  |      |                   | Ω    |
| Sensitivity, dirty TX on <sup>(1)</sup>          | PER = 30.8%; dirty TX on               | -93  | -96 |      | ≤ -70             | dBm  |
| Maximum usable input power                       | GMSK, PER = 30.8%                      | -5   |     |      | ≥ -10             | dBm  |
| Intermodulation characteristics                  | Level of interferers (for n = 3, 4, 5) | -36  | -30 |      | ≥ -50             | dBm  |
| C/I performance <sup>(2)</sup><br>Image = -1 MHz | GMSK, co-channel                       |      | 8   | 12   | ≤ 21              | dB   |
|  | GMSK, adjacent ±1 MHz                  |      | -5  | 0    | ≤ 15              |      |
|  | GMSK, adjacent +2 MHz                  |      | -45 | -38  | ≤ -17             |      |
|  | GMSK, adjacent -2 MHz                  |      | -22 | -15  | ≤ -15             |      |
|  | GMSK, adjacent ≥  ±3  MHz              |      | -47 | -40  | ≤ -27             |      |
| RX mode LO leakage                               | Fr = (received RF - 0.6 MHz)           |      | -63 | -58  |                   | dBm  |

(1) Sensitivity degradation up to 3 dB may occur where the BLE frequency is a harmonic of the fast clock.

(2) Numbers show wanted signal-to-interfering signal ratio. Smaller numbers indicate better C/I performance.

### 5.7.4.2.2 BLE Receiver—General Blocking

| CHARACTERISTICS   | CONDITION        | MIN | TYP | BLE SPECIFICATION | UNIT |
|---|------------------|-----|-----|-------------------|------|
| Blocking performance over full range, according to BLE specification <sup>(1)</sup> | 30 to 2000 MHz   |     | -15 | ≥ -30             | dBm  |
|   | 2000 to 2399 MHz |     | -15 | ≥ -35             |      |
|   | 2484 to 3000 MHz |     | -15 | ≥ -35             |      |
|   | 3 to 12.75 GHz   |     | -15 | ≥ -30             |      |

(1) Exceptions are taken out of the total 10 allowed in the BLE specification.

### 5.7.4.2.3 BLE Transmitter

| CHARACTERISTICS                        | MIN | TYP               | MAX | BLE SPECIFICATION | UNIT |
|--|-----|-------------------|-----|-------------------|------|
| Maximum RF output power <sup>(1)</sup> | 10  | 12 <sup>(2)</sup> |     | ≤ 10              | dBm  |
| Power variation over BLE band          | -1  |                   | 1   |                   | dB   |
| Adjacent channel power  M-N  = 2       |     | -45               | -39 | ≤ -20             | dBm  |
| Adjacent channel power  M-N  > 2       |     | -50               | -42 | ≤ -30             |      |

(1) To modify maximum output power, use an HCI VS command.

(2) To achieve the BLE specification of 10-dBm maximum, an insertion loss of > 2 dB is assumed between the RF ball and the antenna. Otherwise, use an HCI VS command to modify the output power.

### 5.7.4.2.4 BLE Modulation

| CHARACTERISTICS                     | CONDITION      |  | SYM                   | MIN        | TYP  | MAX | BLE SPEC.  | UNIT         |
|-------------------------------------|----------------|--|-----------------------|------------|------|-----|------------|--------------|
|                                     |                |  |                       |            |      |     |            |              |
| Modulation characteristics          | Δf1avg         | Mod data = 4 1s,<br>4 0 s:<br>1111000011110000...  | Δf1<br>avg            | 240        | 250  | 260 | 225 to 275 | kHz          |
|                                     |                | Δf2max ≥ limit for at least<br>99.9% of all Δf2max | Mod data = 1010101... | Δf2<br>max | 185  | 210 | ≥ 185      |              |
|                                     | Δf2avg, Δf1avg |  |                       |            | 0.85 | 0.9 | ≥ 0.8      |              |
| Absolute carrier frequency drift    |                |  |                       | -25        |      | 25  | ≤ ±50      | kHz          |
| Drift rate                          |                |  |                       |            |      | 15  | ≤ 20       | kHz/50<br>ms |
| Initial carrier frequency tolerance |                |  |                       | -75        |      | 75  | ≤ ±100     | kHz          |

### 5.7.4.2.5 BLE Transceiver, Out-Of-Band and Spurious Emissions

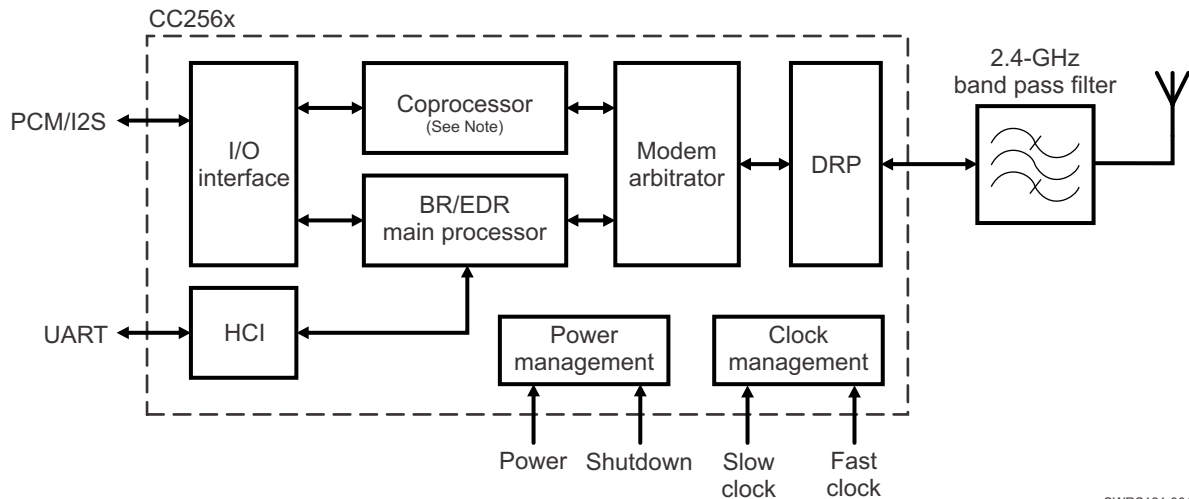
See [Section 5.7.4.1.7, Bluetooth Transmitter, Out-of-Band and Spurious Emissions](#).

## 6 Detailed Description

### 6.1 Overview

The CC256x architecture comprises a DRP™ and a point-to-multipoint baseband core. The architecture is based on a single-processor ARM7TDMI<sup>®</sup> core. The device includes several on-chip peripherals to enable easy communication with a host system and the *Bluetooth* BR/EDR/LE core.

### 6.2 Functional Block Diagram



Note: The following technologies and assisted modes cannot be used simultaneously with the coprocessor: *Bluetooth* LE, ANT, assisted HFP 1.6 (WBS), and assisted A2DP. One and only one technology or assisted mode can be used at a time.

SWRS121-001

Figure 6-1. CC256x Functional Block Diagram

### 6.3 Clock Inputs

This section describes the available clock inputs. For specifications, see [Section 5.7.2, Clock Specifications](#).

#### 6.3.1 Slow Clock

An external source must supply the slow clock and connect to the SLOW\_CLK\_IN pin (for example, the host or external crystal oscillator). The source must be a digital signal in the range of 0 to 1.8 V. The accuracy of the slow clock frequency must be 32.768 kHz  $\pm$ 250 ppm for *Bluetooth* use (as specified in the *Bluetooth* specification). The external slow clock must be stable within 64 slow-clock cycles (2 ms) following the release of nSHUTD.

#### 6.3.2 Fast Clock Using External Clock Source

An external clock source is fed to an internal pulse-shaping cell to provide the fast-clock signal for the device. The device incorporates an internal, automatic clock-scheme detection mechanism that automatically detects the fast-clock scheme used and configures the F<sub>REF</sub> cell accordingly. This mechanism ensures that the electrical characteristics (loading) of the fast-clock input remain static regardless of the scheme used and eliminates any power-consumption penalty-versus-scheme used.

The frequency variation of the fast-clock source must not exceed  $\pm$ 20 ppm (as defined by the *Bluetooth* specification).

The external clock can be AC- or DC-coupled, sine or square wave.

### 6.3.2.1 External F<sub>REF</sub> DC-Coupled

Figure 6-2 and Figure 6-3 show the clock configuration when using a square wave, DC-coupled external source for the fast clock input.

**NOTE**

A shunt capacitor with a range of 10 nF must be added on the oscillator output to reject high harmonics and shape the signal to be close to a sinusoidal waveform.

TI recommends using only a dedicated LDO to feed the oscillator. Do not use the same VIO for the oscillator and the CC256x device.

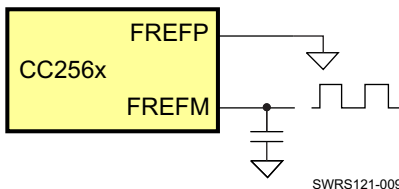


Figure 6-2. Clock Configuration (Square Wave, DC-Coupled)

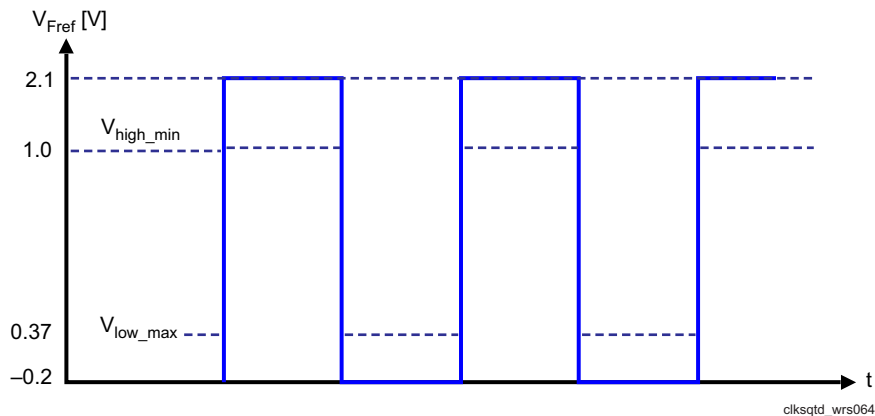


Figure 6-3. External Fast Clock (Square Wave, DC-Coupled)

Figure 6-4 and Figure 6-5 show the clock configuration when using a sine wave, DC-coupled external source for the fast clock input.

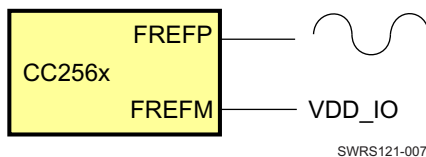


Figure 6-4. Clock Configuration (Sine Wave, DC-Coupled)

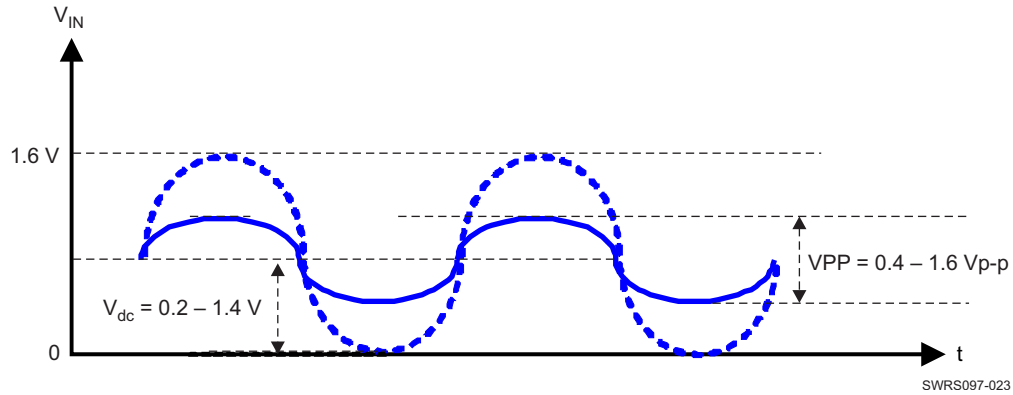


Figure 6-5. External Fast Clock (Sine Wave, DC-Coupled)

6.3.2.2 External F<sub>REF</sub> Sine Wave, AC-Coupled

Figure 6-6 and Figure 6-7 show the configuration when using a sine wave, AC-coupled external source for the fast-clock input.

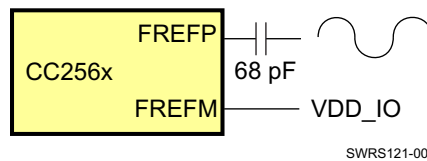


Figure 6-6. Clock Configuration (Sine Wave, AC-Coupled)

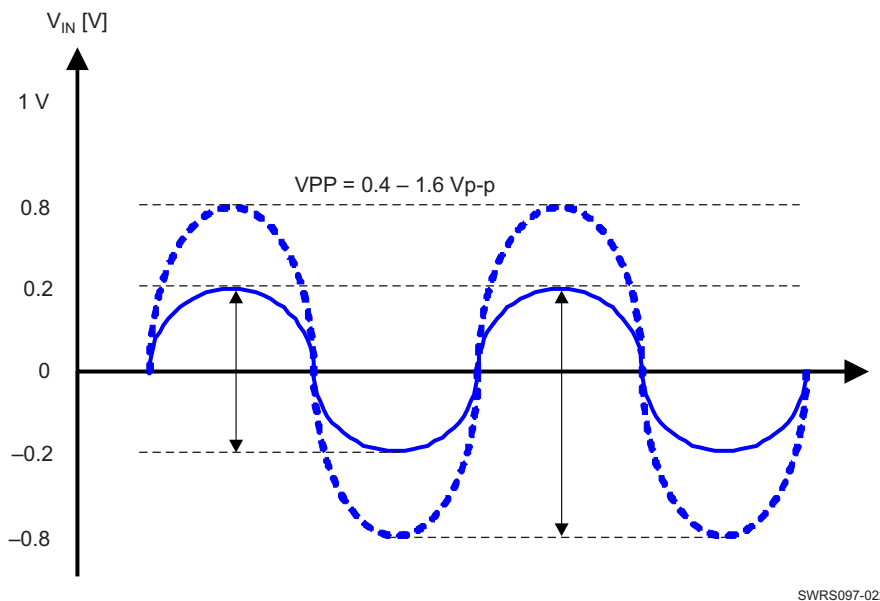


Figure 6-7. External Fast Clock (Sine Wave, AC-Coupled)

In cases where the input amplitude is greater than 1.6 V<sub>p-p</sub>, the amplitude can be reduced to within limits. Using a small series capacitor forms a voltage divider with the internal input capacitance of approximately 2 pF to provide the required amplitude at the device input.

### 6.3.2.3 Fast Clock Using External Crystal

The CC256x device incorporates an internal crystal oscillator buffer to support a crystal-based fast-clock scheme. The supported crystal frequencies are 26 and 38.4 MHz.

The frequency accuracy of the fast clock source must not exceed  $\pm 20$  ppm (including the accuracy of the capacitors, as specified in the *Bluetooth* specification).

Figure 6-8 shows the recommended fast-clock circuitry.

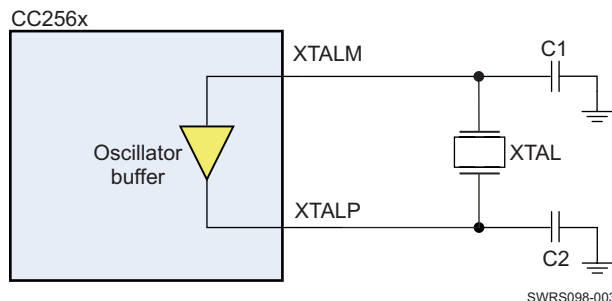


Figure 6-8. Fast-Clock Crystal Circuit

Table 6-1 lists component values for the fast-clock crystal circuit.

Table 6-1. Fast-Clock Crystal Circuit Component Values

| FREQ (MHz) | C1 (pF) <sup>(1)</sup> | C2 (pF) <sup>(1)</sup> |
|------------|------------------------|------------------------|
| 26         | 12                     | 12                     |

(1) To achieve the required accuracy, values for C1 and C2 must be taken from the crystal manufacturer's data sheet and layout considerations.

## 6.4 Functional Blocks

### 6.4.1 RF

The device is the third generation of TI *Bluetooth* single-chip devices using DRP architecture. Modifications and new features added to the DRP further improve radio performance.

Figure 6-9 shows the DRP block diagram.

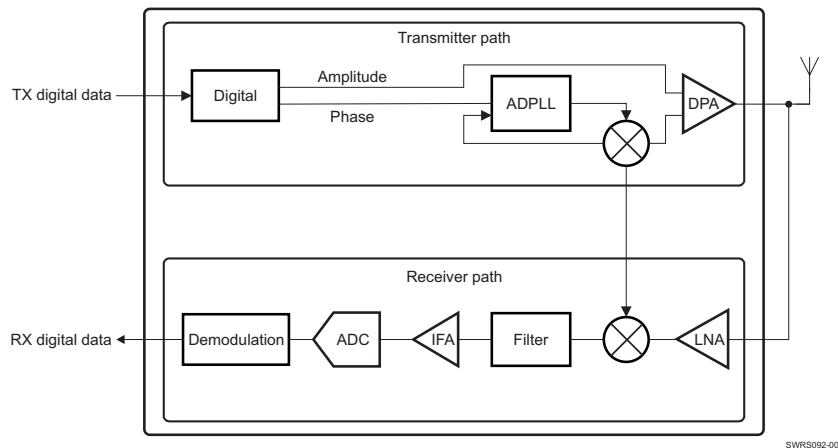


Figure 6-9. DRP Block Diagram



### 6.4.1.1 Receiver

The receiver uses near-zero-IF architecture to convert the RF signal to baseband data. The signal received from the external antenna is input to a single-ended low-noise amplifier (LNA) and passed to a mixer that downconverts the signal to IF, followed by a filter and amplifier. The signal is then quantized by a sigma-delta analog-to-digital converter (ADC) and further processed to reduce the interference level.

The demodulator digitally downconverts the signal to zero-IF and recovers the data stream using an adaptive-decision mechanism. The demodulator includes EDR processing with:

- State-of-the-art performance
- A maximum-likelihood sequence estimator (MLSE) to improve the performance of basic-rate GFSK sensitivity
- Adaptive equalization to enhance EDR modulation

New features include:

- LNA input range narrowed to increase blocking performance
- Active spur cancellation to increase robustness to spurs

### 6.4.1.2 Transmitter

The transmitter is an all-digital, sigma-delta phase-locked loop (ADPLL) based with a digitally controlled oscillator (DCO) at 2.4 GHz as the RF frequency clock. The transmitter directly modulates the digital PLL. The power amplifier is also digitally controlled. The transmitter uses the polar-modulation technique. While the phase-modulated control word is fed to the ADPLL, the amplitude-modulated controlled word is fed to the class-E amplifier to generate a *Bluetooth* standard-compliant RF signal.

New features include:

- Improved TX output power
- LMS algorithm to improve the differential error vector magnitude (DEVm)

## 6.4.2 Host Controller Interface

The CC256x device incorporates one UART module dedicated to the HCI transport layer. The HCI interface transports commands, events, and ACL between the device and the host using HCI data packets.

All members of the CC256x family support the H4 protocol (4-wire UART) with hardware flow control. The CC2560B and CC2564B devices also support the H5 protocol (3-wire UART) with software flow control. The CC256x device automatically detects the protocol when it receives the first command.

The maximum baud rate of the UART module is 4 Mbps; however, the default baud rate after power up is set to 115.2 kbps. The baud rate can thereafter be changed with a VS command. The device responds with a command complete event (still at 115.2 kbps), after which the baud rate change occurs.

The UART module includes the following features:

- Receiver detection of break, idle, framing, FIFO overflow, and parity error conditions
- Transmitter underflow detection
- CTS and RTS hardware flow control (H4 protocol)
- XON and XOFF software flow control (H5 protocol)

Table 6-2 lists the UART module default settings.

**Table 6-2. UART Module Default Settings**

| PARAMETER   | VALUE      |
|-------------|------------|
| Bit rate    | 115.2 kbps |
| Data length | 8 bits     |

**Table 6-2. UART Module Default Settings (continued)**

| PARAMETER | VALUE |
|-----------|-------|
| Stop bit  | 1     |
| Parity    | None  |

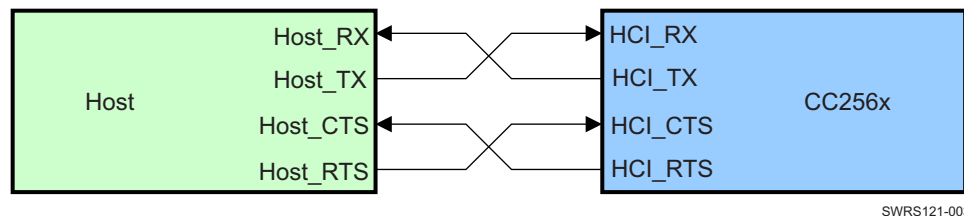
#### 6.4.2.1 4-Wire UART Interface—H4 Protocol

The H4 UART Interface includes four signals:

- TX
- RX
- CTS
- RTS

Flow control between the host and the CC256x device is bitwise by hardware.

Figure 6-10 shows the H4 UART interface.

**Figure 6-10. H4 UART Interface**

When the UART RX buffer of the device passes the flow control threshold, it sets the HCI\_RTS signal high to stop transmission from the host.

When the HCI\_CTS signal is set high, the device stops transmission on the interface. If HCI\_CTS is set high while transmitting a byte, the device finishes transmitting the byte and stops the transmission.

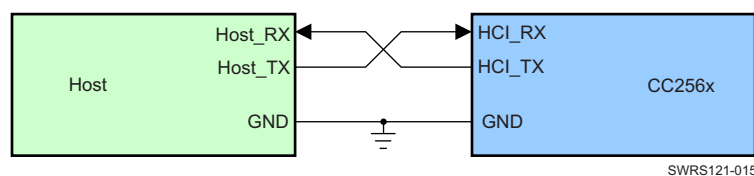
The H4 protocol device includes a mechanism that handles the transition between active mode and sleep mode. The protocol occurs through the CTS and RTS UART lines and is known as the enhanced HCI low level (eHCILL) power-management protocol.

For more information on the H4 UART protocol, see *Volume 4 Host Controller Interface, Part A UART Transport Layer of the Bluetooth Core Specifications* ([www.bluetooth.org/en-us/specification/adoptedspecifications](http://www.bluetooth.org/en-us/specification/adoptedspecifications)).

#### 6.4.2.2 3-Wire UART Interface—H5 Protocol (CC2560B and CC2564B Devices)

The H5 UART interface consists of three signals (see Figure 6-11):

- TX
- RX
- GND

**Figure 6-11. H5 UART Interface**

The H5 protocol supports the following features:

- Software flow control (XON/XOFF)

- Power management using the software messages:
  - WAKEUP
  - WOKEN
  - SLEEP
- CRC data integrity check

For more information on the H5 UART protocol, see *Volume 4 Host Controller Interface, Part D Three-Wire UART Transport Layer of the Bluetooth Core Specifications* ([www.bluetooth.org/en-us/specification/adoptedspecifications](http://www.bluetooth.org/en-us/specification/adoptedspecifications)).

### 6.4.3 Digital Codec Interface

The codec interface is a fully programmable port to support seamless interfacing with different PCM and I2S codec devices. The interface includes the following features:

- Two voice channels
- Master and slave modes
- All voice coding schemes defined by the *Bluetooth* specification: linear, A-Law, and  $\mu$ -Law
- Long and short frames
- Different data sizes, order, and positions
- High flexibility to support a variety of codecs
- Bus sharing: Data\_Out is in Hi-Z state when the interface is not transmitting voice data.

#### 6.4.3.1 Hardware Interface

The interface includes four signals:

- Clock: configurable direction (input or output)
- Frame\_Sync and Word\_Sync: configurable direction (input or output)
- Data\_In: input
- Data\_Out: output or 3-state

The CC256x device can be the master of the interface when generating the Clock and Frame\_Sync signals or the slave when receiving these two signals.

For slave mode, clock input frequencies of up to 15 MHz are supported. At clock rates above 12 MHz, the maximum data burst size is 32 bits.

For master mode, the device can generate any clock frequency between 64 kHz and 4.096 MHz.

#### 6.4.3.2 I2S

When the codec interface is configured to support the I2S protocol, these settings are recommended:

- Bidirectional, full-duplex interface
- Two time slots per frame: time slot-0 for the left channel audio data; and time slot-1 for the right channel audio data
- Each time slot is configurable up to 40 serial clock cycles long, and the frame is configurable up to 80 serial clock cycles long.

#### 6.4.3.3 Data Format

The data format is fully configurable:

- The data length can be from 8 to 320 bits in 1-bit increments when working with 2 channels, or up to 640 bits when working with 1 channel. The data length can be set independently for each channel.
- The data position within a frame is also configurable within 1 clock (bit) resolution and can be set independently (relative to the edge of the Frame\_Sync signal) for each channel.

- The Data\_In and Data\_Out bit order can be configured independently. For example; Data\_In can start with the most significant bit (MSB); Data\_Out can start with the least significant bit (LSB). Each channel is separately configurable. The inverse bit order (that is, LSB first) is supported only for sample sizes up to 24 bits.
- Data\_In and Data\_Out are not required to be the same length.
- The Data\_Out line is configured to Hi-Z output between data words. Data\_Out can also be set for permanent Hi-Z, regardless of the data output. This configuration allows the device to be a bus slave in a multislave PCM environment. At power up, Data\_Out is configured as Hi-Z.

#### 6.4.3.4 Frame Idle Period

The codec interface handles frame idle periods, in which the clock pauses and becomes 0 at the end of the frame, after all data are transferred.

The device supports frame idle periods both as master and slave of the codec bus.

When the device is the master of the interface, the frame idle period is configurable. There are two configurable parameters:

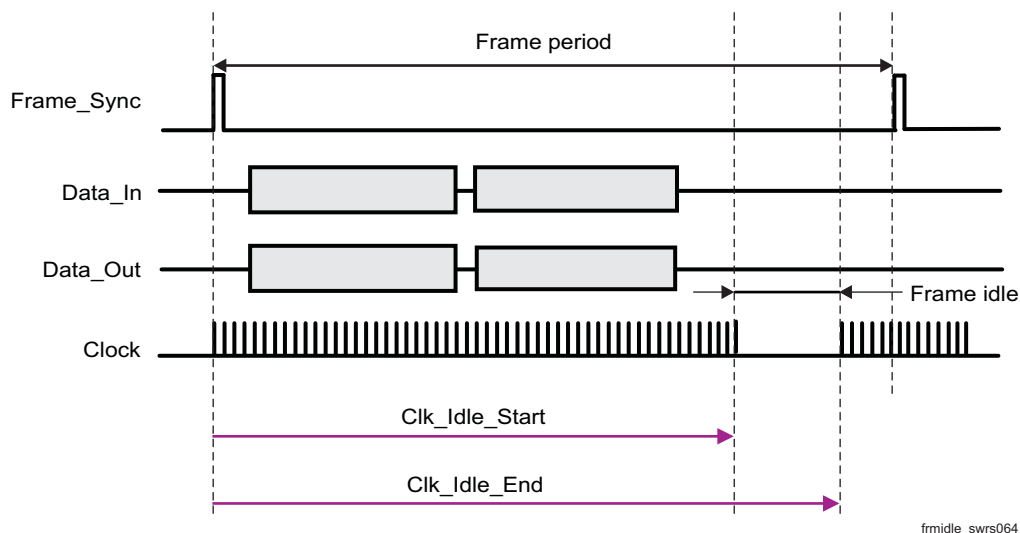
- Clk\_Idle\_Start: indicates the number of clock cycles from the beginning of the frame to the beginning of the idle period. After Clk\_Idle\_Start clock cycles, the clock becomes 0.
- Clk\_Idle\_End: indicates the time from the beginning of the frame to the end of the idle period. The time is given in multiples of clock periods.

The delta between Clk\_Idle\_Start and Clk\_Idle\_End is the clock idle period.

For example, for clock rate = 1 MHz, frame sync period = 10 kHz, Clk\_Idle\_Start = 60, Clk\_Idle\_End = 90.

Between both Frame\_Sync signals there are 70 clock cycles (instead of 100). The clock idle period starts 60 clock cycles after the beginning of the frame and lasts  $90 - 60 = 30$  clock cycles. Thus, the idle period ends  $100 - 90 = 10$  clock cycles before the end of the frame. The data transmission must end before the beginning of the idle period.

Figure 6-12 shows the frame idle timing.



**Figure 6-12. Frame Idle Period**

#### 6.4.3.5 Clock-Edge Operation

The codec interface of the device can work on the rising or the falling edge of the clock and can sample the Frame\_Sync signal and the data at inversed polarity.

Figure 6-13 shows the operation of a falling-edge-clock type of codec. The codec is the master of the bus. The Frame\_Sync signal is updated (by the codec) on the falling edge of the clock and is therefore sampled (by the device) on the next rising clock. The data from the codec is sampled (by the device) on the falling edge of the clock.

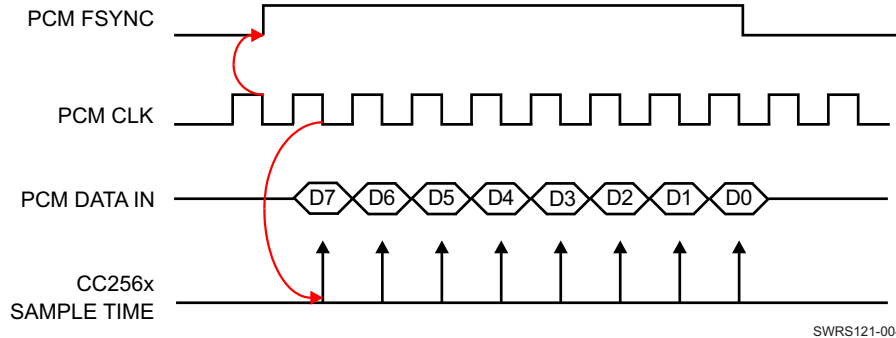


Figure 6-13. Negative Clock Edge Operation

### 6.4.3.6 Two-Channel Bus Example

Figure 6-14 shows a 2-channel bus in which the two channels have different word sizes and arbitrary positions in the bus frame. (FT stands for frame timer.)

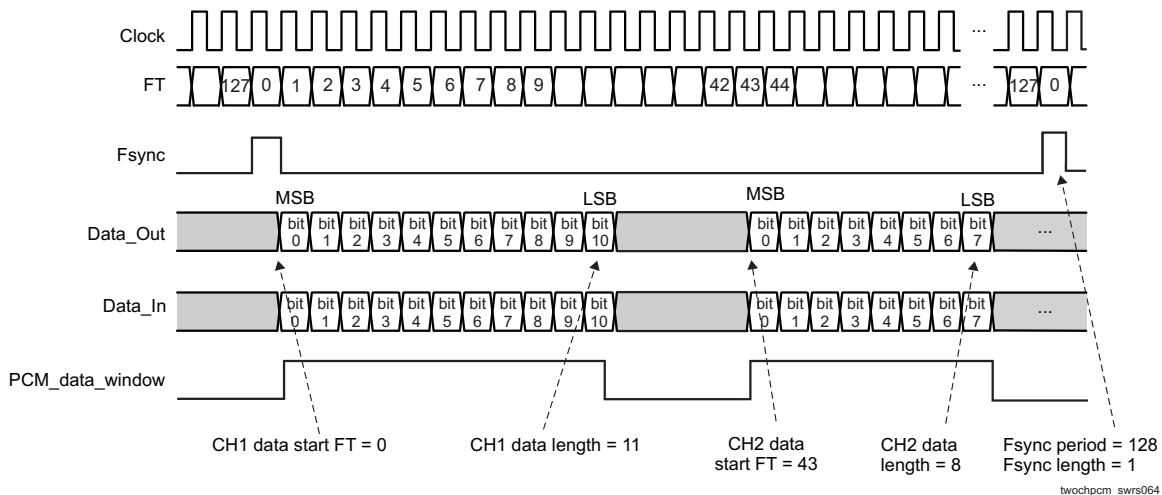


Figure 6-14. 2-Channel Bus Timing

### 6.4.3.7 Improved Algorithm For Lost Packets

The device features an improved algorithm to improve voice quality when received voice data packets are lost. There are two options:

- Repeat the last sample: possible only for sample sizes up to 24 bits. For sample sizes larger than 24 bits, the last byte is repeated.
- Repeat a configurable sample of 8 to 24 bits (depending on the real sample size) to simulate silence (or anything else) in the bus. The configured sample is written in a specific register for each channel.

The choice between those two options is configurable separately for each channel.

### 6.4.3.8 Bluetooth and Codec Clock Mismatch Handling

In Bluetooth RX, the device receives RF voice packets and writes them to the codec interface. If the device receives data faster than the codec interface output allows, an overflow occurs. In this case, the Bluetooth RX has two possible modes of behavior:

- Allow overflow: if overflow is allowed, the *Bluetooth* RX continues receiving data and overwrites any data not yet sent to the codec.
- Do not allow overflow: if overflow is not allowed, RF voice packets received when the buffer is full are discarded.

#### 6.4.4 Assisted Modes (CC2560B and CC2564B Devices)

The CC256x device contains an embedded coprocessor that can be used for multiple purposes (see [Figure 1-1](#)). The CC2564 and CC2564B devices use the coprocessor to perform the LE or ANT functionality. The CC256x device uses the coprocessor to execute the assisted HFP 1.6 (WBS) or assisted A2DP functions. Only one of these functions can be executed at a time because they all use the same resources (that is, the coprocessor; see [Table 3-1](#) for the modes of operation supported by each device).

This section describes the assisted HFP 1.6 (WBS) and assisted A2DP modes of operation in the CC256x device. These modes of operation minimize host processing and power by taking advantage of the device coprocessor to perform the voice and audio SBC processing required in HFP 1.6 (WBS) and A2DP profiles. This section also compares the architecture of the assisted modes with the common implementation of the HFP 1.6 and A2DP profiles.

The assisted HFP 1.6 (WBS) and assisted A2DP modes of operation comply fully with the HFP 1.6 and A2DP *Bluetooth* specifications. For more information on these profiles, see the corresponding *Bluetooth* Profile Specification ([www.bluetooth.org/en-us/specification/adopted-specifications](http://www.bluetooth.org/en-us/specification/adopted-specifications)).

##### 6.4.4.1 Assisted HFP 1.6 (WBS)

The *HFP 1.6 Profile Specification* adds the requirement for WBS support. The WBS feature allows twice the voice quality versus legacy voice coding schemes at the same air bandwidth (64 kbps). This feature is achieved using a voice sampling rate of 16 kHz, a modified subband coding (mSBC) scheme, and a packet loss concealment (PLC) algorithm. The mSBC scheme is a modified version of the mandatory audio coding scheme used in the A2DP profile with the parameters listed in [Table 6-3](#).

**Table 6-3. mSBC Parameters**

| PARAMETER         | VALUE    |
|-------------------|----------|
| Channel mode      | Mono     |
| Sampling rate     | 16 kHz   |
| Allocation method | Loudness |
| Subbands          | 8        |
| Block length      | 15       |
| Bitpool           | 26       |

The assisted HFP 1.6 mode of operation implements this WBS feature on the embedded CC256x coprocessor. That is, the mSBC voice coding scheme and the PLC algorithm are executed in the CC256x coprocessor rather than in the host, thus minimizing host processing and power. One WBS connection at a time is supported and WBS and NBS connections cannot be used simultaneously in this mode of operation. [Figure 6-15](#) shows the architecture comparison between the common implementation of the HFP 1.6 profile and the assisted HFP 1.6 solution.

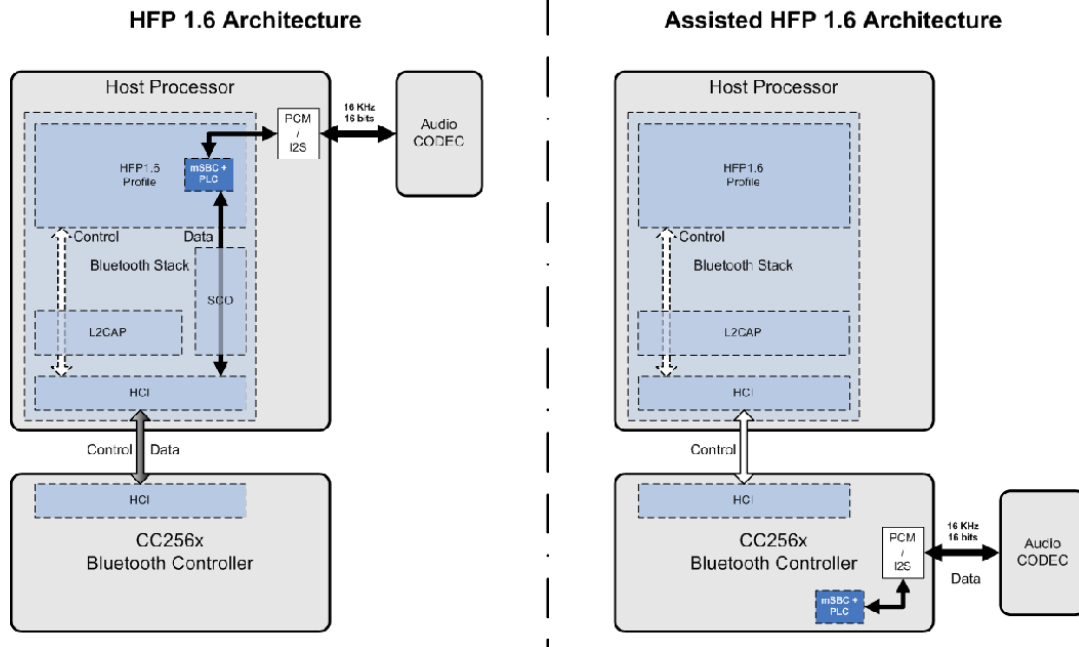


Figure 6-15. HFP 1.6 Architecture Versus Assisted HFP 1.6 Architecture

For detailed information on the HFP 1.6 profile, see the *Hands-Free Profile 1.6 Specification* ([www.bluetooth.org/en-us/specification/adopted-specifications](http://www.bluetooth.org/en-us/specification/adopted-specifications)).

#### 6.4.4.2 Assisted A2DP

The advanced audio distribution profile (A2DP) enables wireless transmission of high-quality mono or stereo audio between two devices. A2DP defines two roles:

- A2DP source is the transmitter of the audio stream.
- A2DP sink is the receiver of the audio stream.

A typical use case streams music from a tablet, phone, or PC (the A2DP source) to headphones or speakers (the A2DP sink). This section describes the architecture of these roles and compares them with the corresponding assisted-A2DP architecture. To use the air bandwidth efficiently, the audio data must be compressed in a proper format. The A2DP mandates support of the SBC scheme. Other audio coding algorithms can be used; however, both *Bluetooth* devices must support the same coding scheme. SBC is the only coding scheme spread out in all A2DP *Bluetooth* devices, and thus the only coding scheme supported in the assisted A2DP modes. Table 6-4 lists the recommended parameters for the SBC scheme in the assisted A2DP modes.

Table 6-4. Recommended Parameters for the SBC Scheme in Assisted A2DP Modes

| SBC ENCODER SETTINGS <sup>(1)</sup> | MID QUALITY |     |              |     | HIGH QUALITY |     |              |     |
|-------------------------------------|-------------|-----|--------------|-----|--------------|-----|--------------|-----|
|                                     | MONO        |     | JOINT STEREO |     | MONO         |     | JOINT STEREO |     |
| Sampling frequency (kHz)            | 44.1        | 48  | 44.1         | 48  | 44.1         | 48  | 44.1         | 48  |
| Bitpool value                       | 19          | 18  | 35           | 33  | 31           | 29  | 53           | 51  |
| Resulting frame length (bytes)      | 46          | 44  | 83           | 79  | 70           | 66  | 119          | 115 |
| Resulting bit rate (Kbps)           | 127         | 132 | 229          | 237 | 193          | 198 | 328          | 345 |

(1) Other settings: Block length = 16; allocation method = loudness; subbands = 8.

The SBC scheme supports a wide variety of configurations to adjust the audio quality. [Table 6-5](#) through [Table 6-12](#) list the supported SBC capabilities in the assisted A2DP modes.

**Table 6-5. Channel Modes**

| CHANNEL MODE | STATUS    |
|--------------|-----------|
| Mono         | Supported |
| Dual channel | Supported |
| Stereo       | Supported |
| Joint stereo | Supported |

**Table 6-6. Sampling Frequency**

| SAMPLING FREQUENCY (kHz) | STATUS    |
|--------------------------|-----------|
| 16                       | Supported |
| 44.1                     | Supported |
| 48                       | Supported |

**Table 6-7. Block Length**

| BLOCK LENGTH | STATUS    |
|--------------|-----------|
| 4            | Supported |
| 8            | Supported |
| 12           | Supported |
| 16           | Supported |

**Table 6-8. Subbands**

| SUBBANDS | STATUS    |
|----------|-----------|
| 4        | Supported |
| 8        | Supported |

**Table 6-9. Allocation Method**

| ALLOCATION METHOD | STATUS    |
|-------------------|-----------|
| SNR               | Supported |
| Loudness          | Supported |

**Table 6-10. Bitpool Values**

| BITPOOL RANGE              | STATUS    |
|----------------------------|-----------|
| Assisted A2DP sink: 2–54   | Supported |
| Assisted A2DP source: 2–57 | Supported |

**Table 6-11. L2CAP MTU Size**

| L2CAP MTU SIZE (BYTES)         | STATUS    |
|--------------------------------|-----------|
| Assisted A2DP sink: 260–800    | Supported |
| Assisted A2DP source: 260–1021 | Supported |

**Table 6-12. Miscellaneous Parameters**

| ITEM                    | VALUE      | STATUS        |
|-------------------------|------------|---------------|
| A2DP content protection | Protected  | Not supported |
| AVDTP service           | Basic type | Supported     |



**Table 6-12. Miscellaneous Parameters (continued)**

| ITEM        | VALUE        | STATUS    |
|-------------|--------------|-----------|
| L2CAP mode  | Basic mode   | Supported |
| L2CAP flush | Nonflushable | Supported |

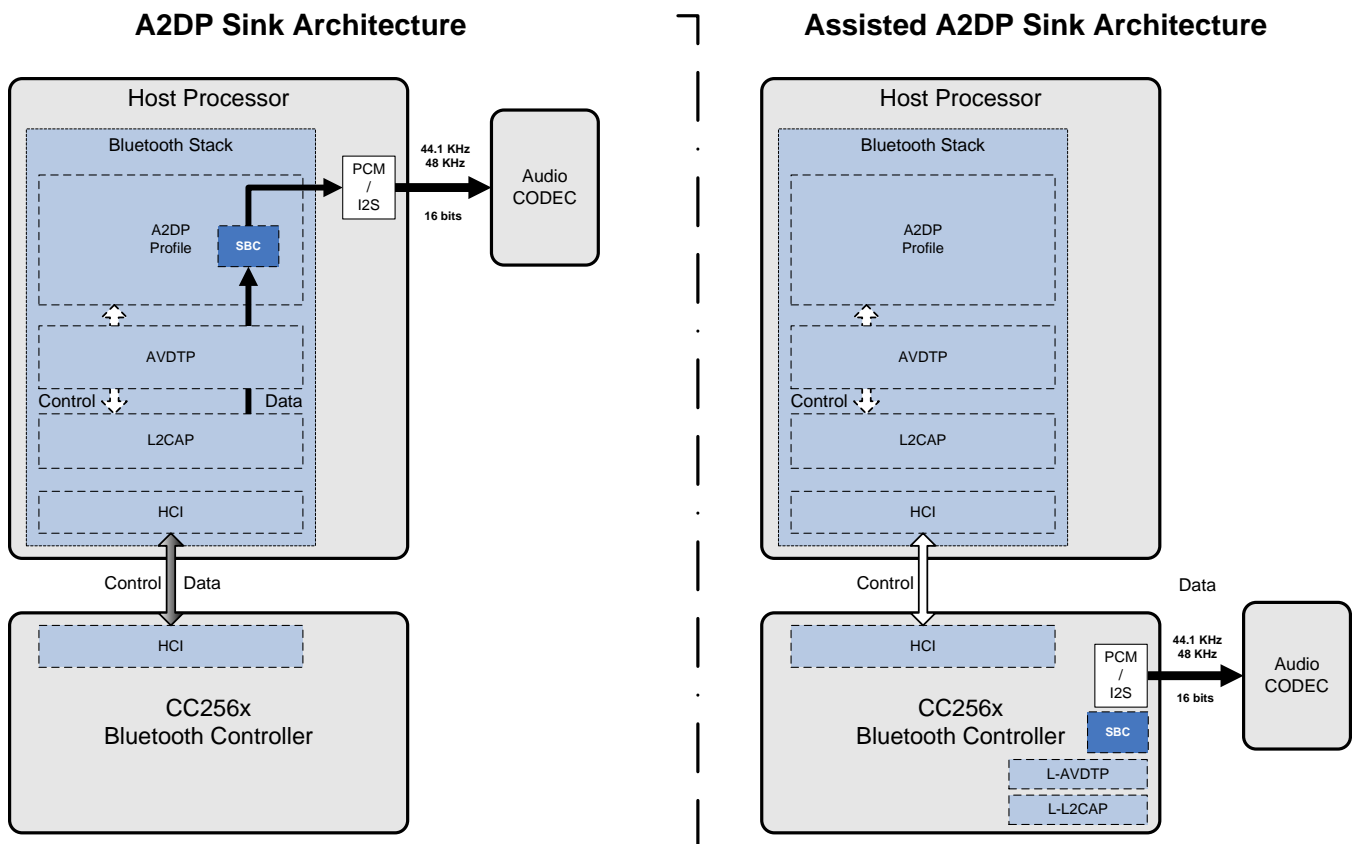
For detailed information on the A2DP profile, see the A2DP Profile Specification at [Adopted Bluetooth Core Specifications](#).

**6.4.4.2.1 Assisted A2DP Sink**

The A2DP sink role is the receiver of the audio stream in an A2DP *Bluetooth* connection. In this role, the A2DP layer and its underlying layers are responsible for link management and data decoding. To handle these tasks, two logic transports are defined:

- Control and signaling logic transport
- Data packet logic transport

The assisted A2DP takes advantage of this modularity to handle the data packet logic transport in the CC256x device by implementing a light L2CAP layer (L-L2CAP) and light AVDTP layer (L-AVDTP) to defragment the packets. Then the assisted A2DP performs the SBC decoding on-chip to deliver raw audio data through the CC256x PCM–I2S interface. [Figure 6-16](#) shows the comparison between a common A2DP sink architecture and the assisted A2DP sink architecture.



**Figure 6-16. A2DP Sink Architecture Versus Assisted A2DP Sink Architecture**

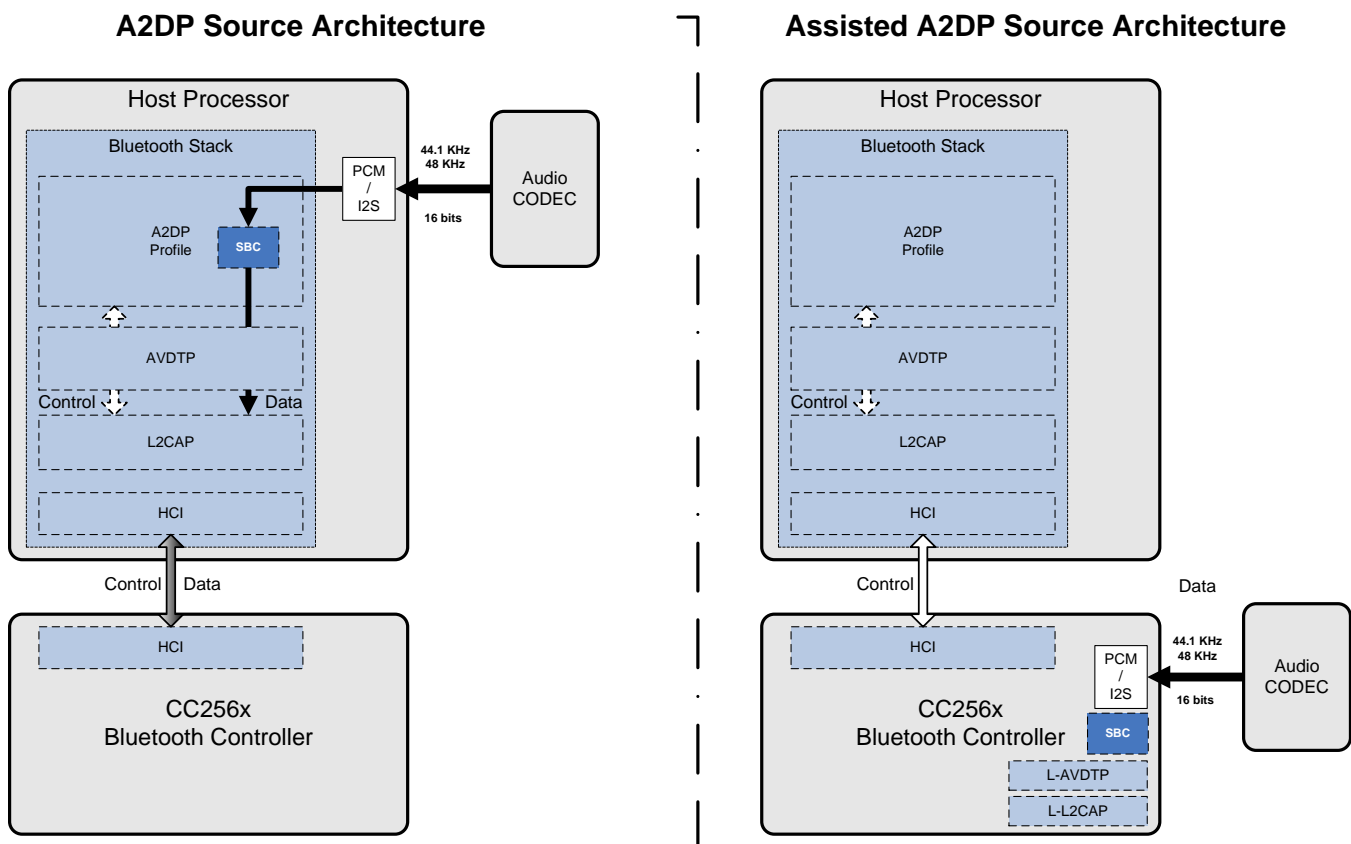
For more information on the A2DP sink role, see the *A2DP Profile Specification* at [Adopted Bluetooth Core Specifications](#).

#### 6.4.4.2.2 Assisted A2DP Source

The role of the A2DP source is to transmit the audio stream in an A2DP *Bluetooth* connection. In this role, the A2DP layer and its underlying layers are responsible for link management and data encoding. To handle these tasks, two logic transports are defined:

- Control and signaling logic transport
- Data packet logic transport

The assisted A2DP takes advantage of this modularity to handle the data packet logic transport in the CC256x device. First, the assisted A2DP encodes the raw data from the CC256x PCM–I2S interface using an on-chip SBC encoder. The assisted A2DP then implements an L-L2CAP layer and an L-AVDTP layer to fragment and packetize the encoded audio data. [Figure 6-17](#) shows the comparison between a common A2DP source architecture and the assisted A2DP source architecture.



**Figure 6-17. A2DP Source Architecture Versus Assisted A2DP Source Architecture**

For more information on the A2DP source role, see the A2DP Profile Specification at [Adopted Bluetooth Core Specifications](#).

## 6.5 Bluetooth BR/EDR Features

The CC2564B/CC2560B devices fully comply with the *Bluetooth* 4.0 specification up to the HCI level. The CC2560B/CC2564B devices are compliant with the *Bluetooth* 4.1 specification up to the HCI layer (for family members and technology supported, see [Table 3-1](#)):

- Up to seven active devices
- Scatternet: Up to 3 piconets simultaneously, 1 as master and 2 as slaves
- Up to two synchronous connection oriented (SCO) links on the same piconet

- Very fast AFH algorithm for asynchronous connection-oriented link (ACL) and extended SCO (eSCO) link
- Supports typical 12-dBm TX power without an external power amplifier (PA), thus improving *Bluetooth* link robustness
- Digital radio processor (DRP™) single-ended 50-Ω I/O for easy RF interfacing
- Internal temperature detection and compensation to ensure minimal variation in RF performance over temperature
- Includes a 128-bit hardware encryption accelerator as defined by the *Bluetooth* specifications
- Flexible pulse-code modulation (PCM) and inter-IC sound (I2S) digital codec interface:
  - Full flexibility of data format (linear, A-Law, μ-Law)
  - Data width
  - Data order
  - Sampling
  - Slot positioning
  - Master and slave modes
  - High clock rates up to 15 MHz for slave mode (or 4.096 MHz for master mode)
- Support for all voice air-coding
  - CVSD
  - A-Law
  - μ-Law
  - Transparent (uncoded)
- The CC2560B and CC2564B devices provide an assisted mode for the HFP 1.6 (wide-band speech [WBS]) profile or A2DP profile to reduce host processing and power.

## 6.6 *Bluetooth* LE Description

The CC2564B device fully complies with the *Bluetooth* 4.0 specification up to the HCI level. The CC2564B device is *Bluetooth* 4.1 specification compliant up to the HCI layer (for the family members and technology supported, see [Table 3-1](#)):

- Solution optimized for proximity and sports use cases
- Supports up to 10 (CC2564B) simultaneous connections
- Multiple sniff instances that are tightly coupled to achieve minimum power consumption
- Independent buffering for LE, allowing large numbers of multiple connections without affecting BR/EDR performance
- Built-in coexistence and prioritization handling

---

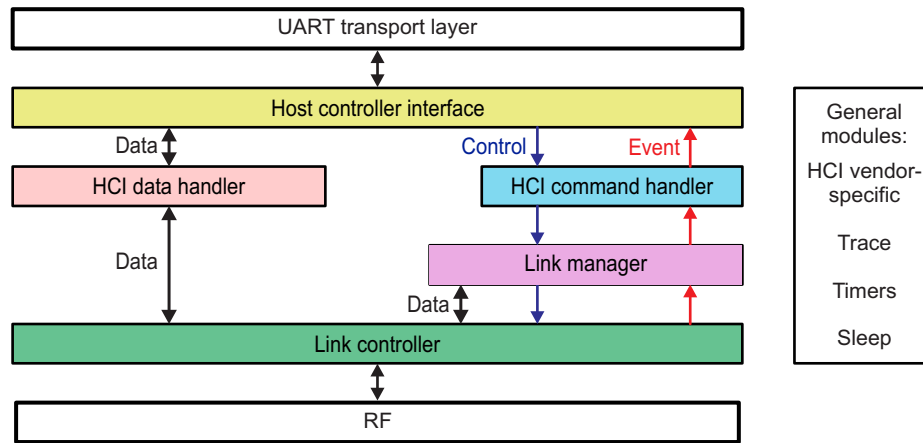
### NOTE

ANT and the assisted modes (HFP 1.6 and A2DP) are not available when BLE is enabled.

---

## 6.7 Bluetooth Transport Layers

Figure 6-18 shows the *Bluetooth* transport layers.



SWRS121-016

**Figure 6-18. Bluetooth Transport Layers**

## 6.8 Changes from CC2560A and CC2564 to CC2560B and CC2564B Devices

The CC2560B and CC2564B devices include the following changes from the CC2560A and CC2564 devices:

- From a hardware perspective, both devices are pin compatible. From a software perspective, each device requires a different service pack. When operating with the two devices using the supported *Bluetooth* stack, the devices are integrated seamlessly and use remains identical for each device.
- Assisted mode for the HFP 1.6 (WBS) profile or the A2DP profile to enable more advanced features without using host processing or power
- Support for the H5 protocol in the UART transport layer using 2-wire UART
- Enable 10 *Bluetooth* LE connections

## 7 Applications, Implementation, and Layout

Information in the following Applications section is not part of the TI component specification, and TI does not warrant its accuracy or completeness. TI's customers are responsible for determining suitability of components for their purposes. Customers should validate and test their design implementation to confirm system functionality.

### 7.1 Reference Design Schematics and BOM for Power and Radio Connections

Figure 7-1 shows the reference schematics for the CC256x device. Consult TI for complete schematics and PCB layout guidelines.

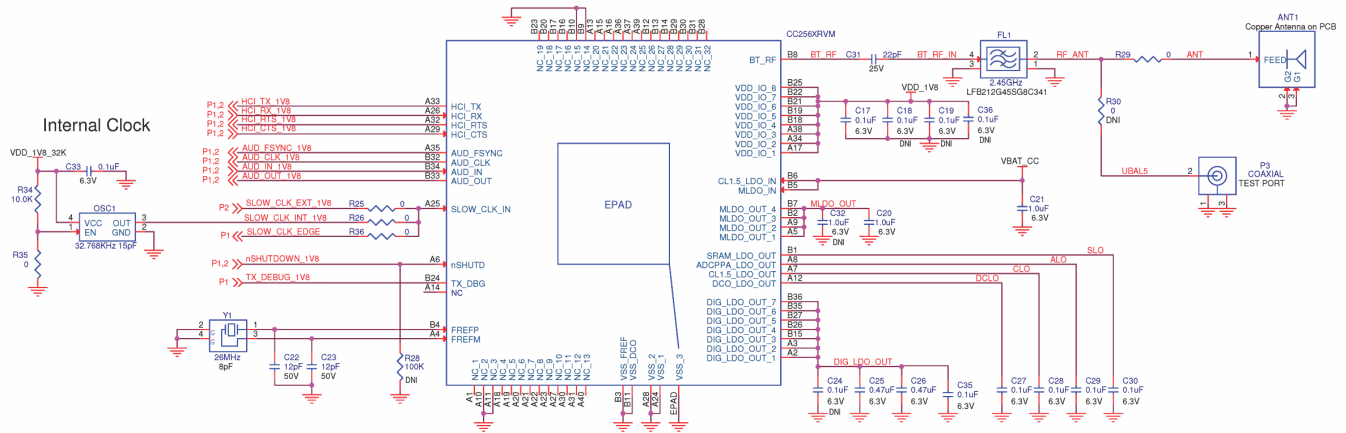


Figure 7-1. Reference Schematics

Table 7-1 lists the BOM for the CC256x device.

Table 7-1. Bill of Materials

| QTY | REF. DES. | VALUE                  | DESCRIPTION  | MFR                              | MFR PART NUMBER                     | ALT. PART                 | NOTES                  |
|-----|-----------|------------------------|--|----------------------------------|-------------------------------------|---------------------------|------------------------|
| 1   | ANT1      | NA                     | ANT_IIFA_CC2420_32mil_MIR                                | NA                               | IIFA_CC2420                         | Chip antenna              | Copper antenna on PCB  |
| 6   | Capacitor | 0.1 $\mu$ F            | Capacitor, Ceramic; 0.1- $\mu$ F 6.3-V 10% X7R 0402      | Kemet                            | C0402C104K9RACTU                    |                           |                        |
| 2   | Capacitor | 1.0 $\mu$ F            | Capacitor, Ceramic; 1.0- $\mu$ F 6.3-V 10% X5R 0402      | Taiyo Yuden                      | JMK105BJ105KV-F                     |                           |                        |
| 2   | Capacitor | 12 pF                  | Capacitor, Ceramic; 12 pF 6.3-V X5R 10% 0402             | Murata Electronics               | GRM1555C1H120JZ01D                  |                           |                        |
| 2   | Capacitor | 0.47 $\mu$ F           | Capacitor, Ceramic; 47- $\mu$ F 6.3-V X5R $\pm$ 10% 0402 | Taiyo Yuden                      | JMK105BJ474KV-F                     |                           |                        |
| 1   | FL1       | 2.45 GHz               | Filter, Ceramic Bandpass, 2.45-GHz SMD                   | Murata Electronics               | LFB212G45SG8C341                    | DEA162450 BT_1260B3 (TDK) | Place brown marking up |
| 1   | OSC1      | 32.768 kHz 15 pF       | Oscillator; 32.768-kHz 15-pF 1.5-V 3.3-V SMD             | Abracorn Corporation             | ASH7K-32.768KHZ-T                   |                           | Optional               |
| 1   | U5        | CC2560BRVM, CC2564BRVM | CC256x Dual-Mode Bluetooth Controller                    | Texas Instruments                | CC256xRVM                           |                           |                        |
| 1   | Y1        | 26 MHz                 | Crystal, 26 MHz  | NDK                              | NX2016SA                            | TZ1325D (Tai-Saw TST)     |                        |
| 1   | C31       | 22 pF                  | Capacitor, Ceramic; 22-PF 25-V 5% NP0 0201               | Murata Electronics North America | GRM0335C1E220JD01D (EXS00A-CS06025) |                           |                        |

## 8 Device and Documentation Support

### 8.1 Device Support

#### 8.1.1 Development Support

The following products support development of the CC256x device:

- [TI dual-mode Bluetooth stack on MSP430 MCUs](#)
- [TI dual-mode Bluetooth stack on TM4C MCUs](#)
- [TI dual-mode Bluetooth stack on STM32F4 MCUs](#)
- [CC256x Bluetooth Hardware Evaluation Tool](#)

For a complete listing of development-support tools, see the TI [CC256x wiki](#). For information on pricing and availability, contact the nearest TI field sales office or authorized distributor.

#### 8.1.2 Device Nomenclature

To designate the stages in the product development cycle, TI assigns prefixes to the part numbers. These prefixes represent evolutionary stages of product development from engineering prototypes through fully qualified production devices.

- X Experimental, preproduction, sample or prototype device. Device may not meet all product qualification conditions and may not fully comply with TI specifications. Experimental/Prototype devices are shipped against the following disclaimer: "This product is still in development and is intended for internal evaluation purposes." Notwithstanding any provision to the contrary, TI makes no warranty expressed, implied, or statutory, including any implied warranty of merchantability of fitness for a specific purpose, of this device.
- null Device is qualified and released to production. TI's standard warranty applies to production devices.

### 8.2 Documentation Support

The following documents support the CC256x device:

- [Dual-Mode Bluetooth CC2564 Evaluation Board User Guide \(SWRU450\)](#)
- [Dual-Mode Bluetooth CC2564 Evaluation Board Quick Start Guide \(SWRU441\)](#)
- [CC256XQFN PCB Guidelines \(SWRU420\)](#)
- [QFN/SON PCB Attachment Application Report \(SLUA271\)](#)
- [CC256x Hardware Design Checklist \(SWRR124\)](#)
- [DN035 Antenna Quick Guide \(SWRA351\)](#)
- [AN058 Antenna Selection Guide \(SWRA161\)](#)
- [Using TI Technology to Simplify Bluetooth Pairing Via NFC \(SLAA512\)](#)
- [Surface Mount Assembly of Amkor's Dual Row MicroLeadFrame \(MLF\) Packages](#)

### 8.3 Related Links

[Table 8-1](#) lists quick access links. Categories include technical documents, support and community resources, tools and software, and quick access to sample or buy.

**Table 8-1. Related Links**

| PARTS                         | PRODUCT FOLDER             | SAMPLE & BUY               | TECHNICAL DOCUMENTS        | TOOLS & SOFTWARE           | SUPPORT & COMMUNITY        |
|-------------------------------|----------------------------|----------------------------|----------------------------|----------------------------|----------------------------|
| CC2560A (NRND) <sup>(1)</sup> | <a href="#">Click here</a> | <a href="#">Click here</a> | <a href="#">Click here</a> | <a href="#">Click here</a> | <a href="#">Click here</a> |
| CC2560B                       | <a href="#">Click here</a> | <a href="#">Click here</a> | <a href="#">Click here</a> | <a href="#">Click here</a> | <a href="#">Click here</a> |
| CC2564 (NRND) <sup>(1)</sup>  | <a href="#">Click here</a> | <a href="#">Click here</a> | <a href="#">Click here</a> | <a href="#">Click here</a> | <a href="#">Click here</a> |
| CC2564B                       | <a href="#">Click here</a> | <a href="#">Click here</a> | <a href="#">Click here</a> | <a href="#">Click here</a> | <a href="#">Click here</a> |

(1) NRND = Not recommended for new designs

## 8.4 Community Resources

The following links connect to TI community resources. Linked contents are provided "AS IS" by the respective contributors. They do not constitute TI specifications and do not necessarily reflect TI's views; see TI's [Terms of Use](#).

**TI E2E™ Online Community** *TI's Engineer-to-Engineer (E2E) Community*. Created to foster collaboration among engineers. At [e2e.ti.com](http://e2e.ti.com), you can ask questions, share knowledge, explore ideas and help solve problems with fellow engineers.

**TI Embedded Processors Wiki** *Texas Instruments Embedded Processors Wiki*. Established to help developers get started with Embedded Processors from Texas Instruments and to foster innovation and growth of general knowledge about the hardware and software surrounding these devices.

## 8.5 Trademarks

MSP430, DRP, E2E are trademarks of Texas Instruments.  
Cortex, ARM7TDMIE are registered trademarks of ARM Limited.  
ARM is a registered trademark of ARM Physical IP, Inc.  
iPod is a registered trademark of Apple, Inc.  
*Dual-Mode Bluetooth* are registered trademarks of Bluetooth SIG, Inc.  
All other trademarks are the property of their respective owners.

## 8.6 Electrostatic Discharge Caution



This integrated circuit can be damaged by ESD. Texas Instruments recommends that all integrated circuits be handled with appropriate precautions. Failure to observe proper handling and installation procedures can cause damage.

ESD damage can range from subtle performance degradation to complete device failure. Precision integrated circuits may be more susceptible to damage because very small parametric changes could cause the device not to meet its published specifications.

## 8.7 Glossary

**TI Glossary** This glossary lists and explains terms, acronyms, and definitions.

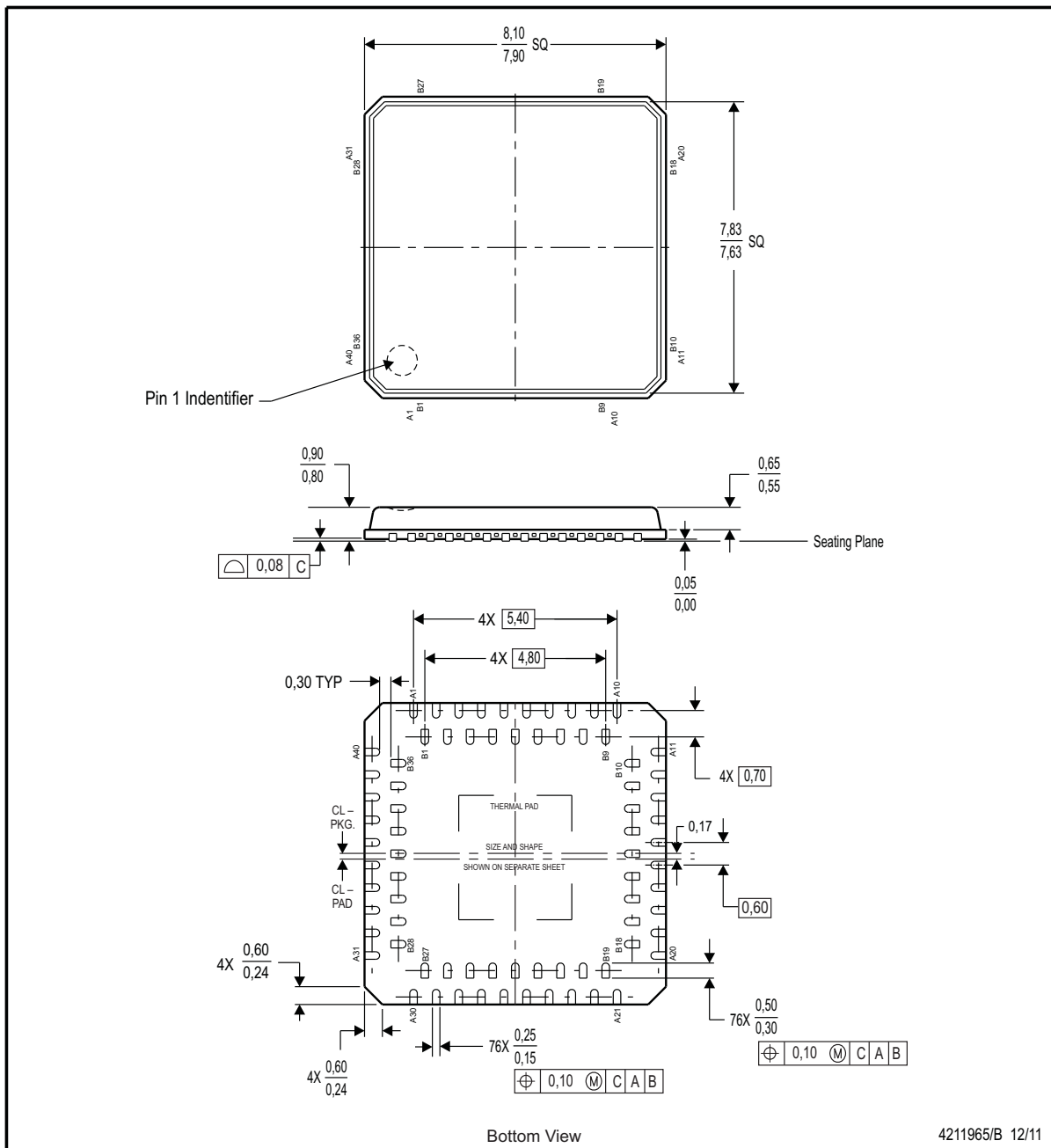
## 9 Mechanical, Packaging, and Orderable Information

The following pages include mechanical packaging and orderable information. This information is the most current data available for the designated devices. This data is subject to change without notice and revision of this document. For browser-based versions of this data sheet, refer to the left-hand navigation.

### 9.1 mrQFN Mechanical Data

RVM (S-PVQFN-N76)

PLASTIC QUAD FLATPACK NO-LEAD



- NOTES:
- All linear dimensions are in millimeters. Dimensioning and tolerancing per ASME Y14.5-1994.
  - This drawing is subject to change without notice.
  - QFN (Quad Flatpack No-Lead) Package configuration.
  - The package thermal pad must be soldered to the board for thermal and mechanical performance.
  - See the additional figure in the Product Data Sheet for details regarding the exposed thermal pad features and dimensions.

SWRS115-001



RVM (S-PVQFN-N76)

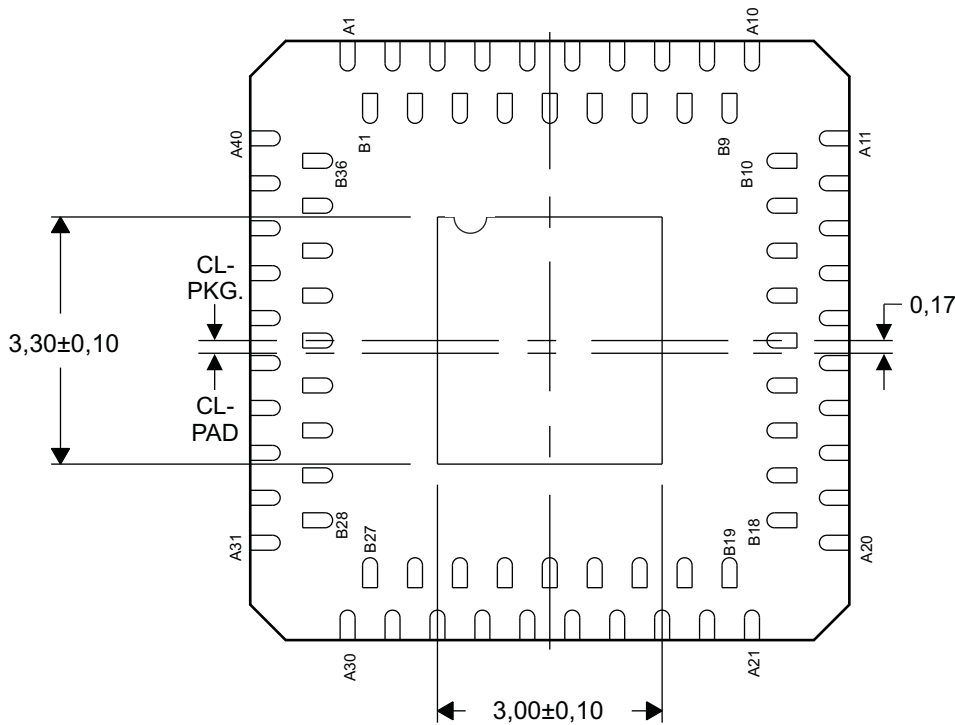
PLASTIC QUAD FLATPACK NO-LEAD

**THERMAL INFORMATION**

This package incorporates an exposed thermal pad that is designed to be attached directly to an external heatsink. The thermal pad must be soldered directly to the printed circuit board (PCB). After soldering, the PCB can be used as a heatsink. In addition, through the use of thermal vias, the thermal pad can be attached directly to the appropriate copper plane shown in the electrical schematic for the device, or alternatively, can be attached to a special heatsink structure designed into the PCB. This design optimizes the heat transfer from the integrated circuit (IC).

For information on the Quad Flatpack No-Lead (QFN) package and its advantages, refer to Application Report, QFN/SON PCB Attachment, Texas Instruments Literature No. SLUA271. This document is available at [www.ti.com](http://www.ti.com).

The exposed thermal pad dimensions for this package are shown in the following illustration.



Bottom View

Exposed Thermal Pad Dimensions

4212066/B 12/11

NOTE: All linear dimensions are in millimeters

SWRS115-018

**9.2 Packaging and Ordering**

### 9.2.1 Package and Ordering Information

The mrQFN packaging is 76 pins and a 0.6-mm pitch.

For detailed information, see [Section 9.1](#), *mrQFN Mechanical Data*.

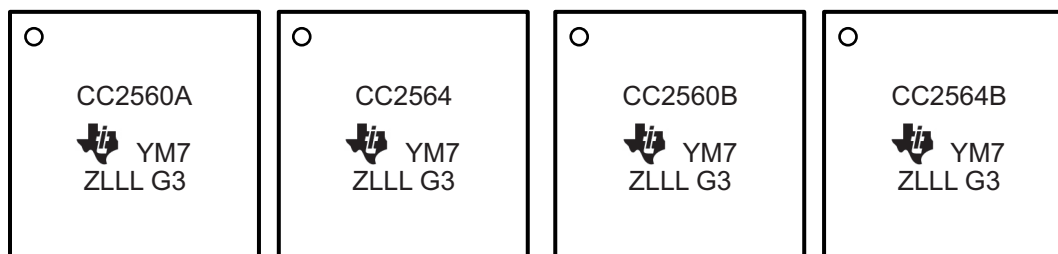
[Table 9-1](#) lists the package and order information for the device family members.

**Table 9-1. Package and Order Information**

| DEVICE                            | PACKAGE SUFFIX | PIECES/REEL |
|-----------------------------------|----------------|-------------|
| CC2560ARVMT (NRND) <sup>(1)</sup> | RVM            | 250         |
| CC2560ARVMR (NRND) <sup>(1)</sup> | RVM            | 2500        |
| CC2564RVMT (NRND) <sup>(1)</sup>  | RVM            | 250         |
| CC2564RVMR (NRND) <sup>(1)</sup>  | RVM            | 2500        |
| CC2560BRVMT                       | RVM            | 250         |
| CC2560BRVMR                       | RVM            | 2500        |
| CC2564BRVMT                       | RVM            | 250         |
| CC2564BRVMR                       | RVM            | 2500        |

(1) NRND = Not recommended for new designs

[Figure 9-1](#) shows the markings for the CC256x family.



- Y = Last digit of the year
- M = Month in hex number, 1-C for Jan-Dec
- 7 = Primary site code for ANM
- Z = Secondary site code for ANM
- LLL = Assembly lot code
- = Pin 1 indicator

SWRS121-010

**Figure 9-1. Chip Markings**

### 9.2.2 Empty Tape Portion

Figure 9-2 shows the empty portion of the carrier tape.

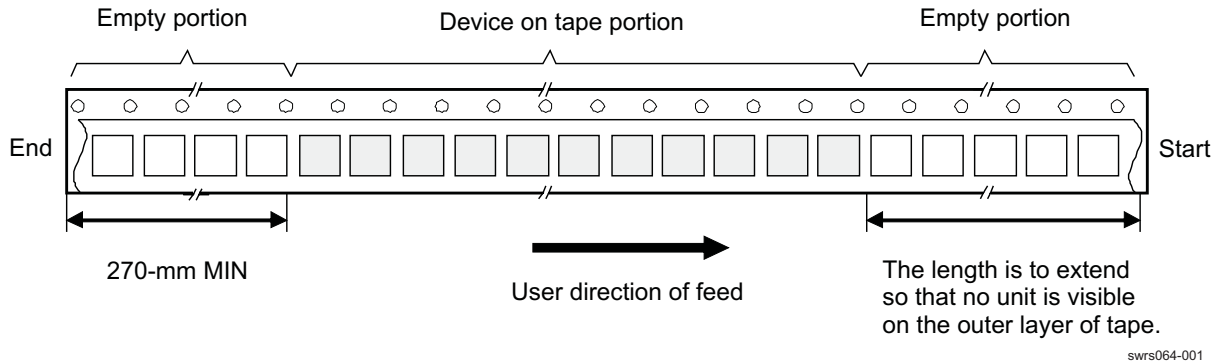


Figure 9-2. Carrier Tape and Pockets

### 9.2.3 Device Quantity and Direction

When pulling out the tape, the A1 corner is on the left side (see Figure 9-3).

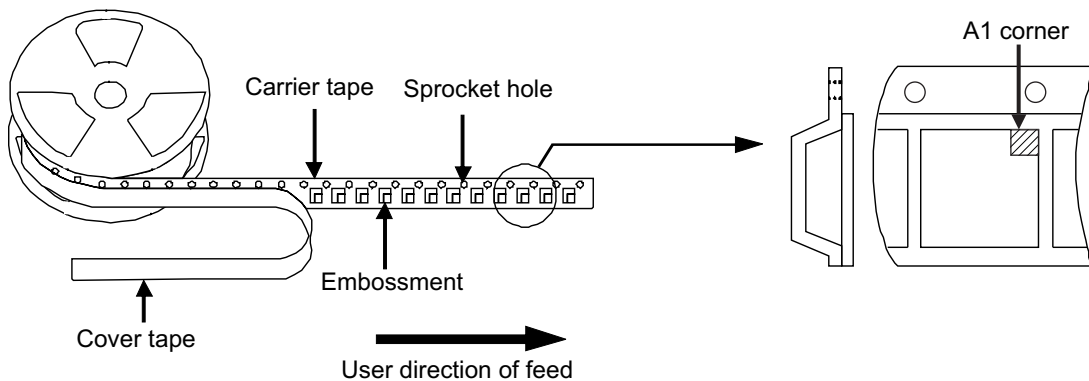


Figure 9-3. Direction of Device

### 9.2.4 Insertion of Device

Figure 9-4 shows the insertion of the device.

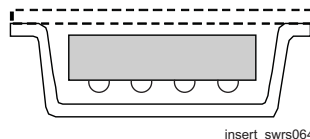


Figure 9-4. Insertion of Device

### 9.2.5 Tape Specification

The dimensions of the tape are:

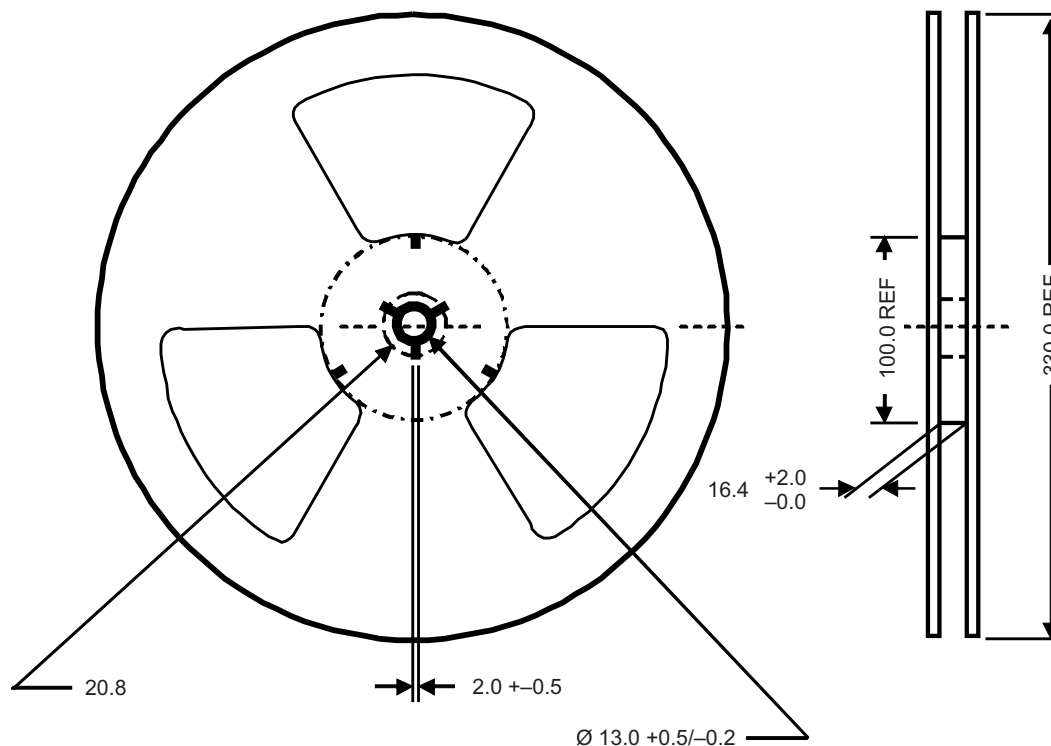
- Tape width: 16 mm
- Cover tape: The cover tape does not cover the index hole and does not shift to outside from the carrier tape.
- Tape structure: The carrier tape is made of plastic. The device is put in the embossed area of the carrier tape and covered by the cover tape, which is made of plastic.

- ESD countermeasure: The plastic material used in the carrier tape and the cover tape is static dissipative.

### 9.2.6 Reel Specification

Figure 9-5 shows the reel specifications:

- 330-mm reel, 16-mm width tape
- Reel material: Polystyrene (static dissipative/antistatic)

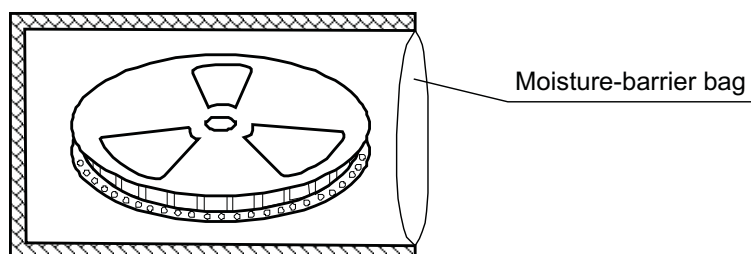


SWRS121-006

**Figure 9-5. Reel Dimensions (mm)**

### 9.2.7 Packing Method

The end of the leader tape is secured by drafting tape. The reel is packed in a moisture barrier bag fastened by heat-sealing (see Figure 9-6).



reelpk\_swrs064

**Figure 9-6. Reel Packing Method**

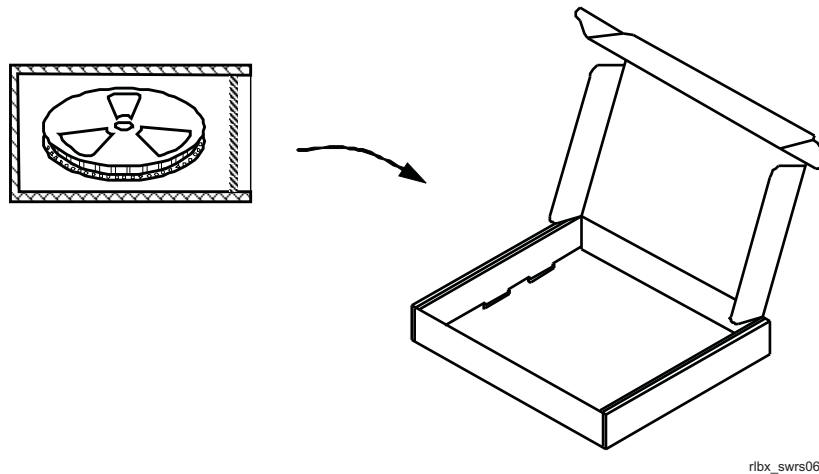
**CAUTION**

This integrated circuit can be damaged by ESD. Texas Instruments recommends that all integrated circuits be handled with appropriate precautions. Failure to observe proper handling and installation procedures can cause damage. ESD damage can range from subtle performance degradation to complete device failure. Precision integrated circuits may be more susceptible to damage because very small parametric changes could cause devices not to meet their published specifications.

**9.2.8 Packing Specification**

**9.2.8.1 Reel Box**

Each moisture-barrier bag is packed into a reel box, as shown in [Figure 9-7](#).



rlbx\_swrs064

**Figure 9-7. Reel Box (Carton)**

**9.2.8.2 Reel Box Material**

The reel box is made from corrugated fiberboard.

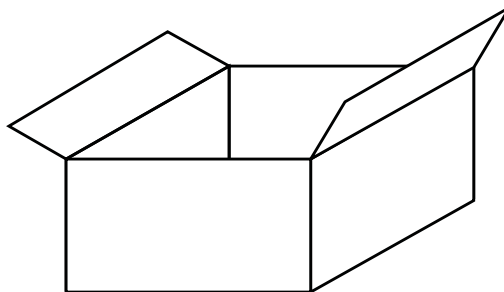
**9.2.8.3 Shipping Box**

If the shipping box has excess space, filler (such as cushion) is added.

[Figure 9-8](#) shows a typical shipping box.

**NOTE**

The size of the shipping box may vary depending on the number of reel boxes packed.



box\_swrs064

**Figure 9-8. Shipping Box (Carton)****9.2.8.4 Shipping Box Material**

The shipping box is made from corrugated fiberboard.

**PACKAGING INFORMATION**

| Orderable Device | Status<br>(1) | Package Type | Package Drawing | Pins | Package Qty | Eco Plan<br>(2)         | Lead/Ball Finish<br>(6) | MSL Peak Temp<br>(3) | Op Temp (°C) | Device Marking<br>(4/5) | Samples                 |
|------------------|---------------|--------------|-----------------|------|-------------|-------------------------|-------------------------|----------------------|--------------|-------------------------|-------------------------|
| CC2560ARVMR      | NRND          | VQFNP-MR     | RVM             | 76   | 2500        | Green (RoHS & no Sb/Br) | CU SN                   | Level-3-260C-168 HR  | -40 to 85    | (CC256 ~ CC2560A)<br>0A |                         |
| CC2560ARVMT      | NRND          | VQFNP-MR     | RVM             | 76   | 250         | Green (RoHS & no Sb/Br) | CU SN                   | Level-3-260C-168 HR  | -40 to 85    | (CC256 ~ CC2560A)<br>0A |                         |
| CC2560BRVMR      | ACTIVE        | VQFNP-MR     | RVM             | 76   | 2500        | Green (RoHS & no Sb/Br) | CU SN                   | Level-3-260C-168 HR  | -40 to 85    | CC2560B                 | <a href="#">Samples</a> |
| CC2564BRVMR      | ACTIVE        | VQFNP-MR     | RVM             | 76   | 2500        | Green (RoHS & no Sb/Br) | CU SN                   | Level-3-260C-168 HR  | -40 to 85    | CC2564B                 | <a href="#">Samples</a> |
| CC2564BRVMT      | ACTIVE        | VQFNP-MR     | RVM             | 76   | 250         | Green (RoHS & no Sb/Br) | CU SN                   | Level-3-260C-168 HR  | -40 to 85    | CC2564B                 | <a href="#">Samples</a> |
| CC2564RVMR       | NRND          | VQFNP-MR     | RVM             | 76   | 2500        | Green (RoHS & no Sb/Br) | CU SN                   | Level-3-260C-168 HR  | -40 to 85    | (CC256 ~ CC2564)<br>4   |                         |
| CC2564RVMT       | NRND          | VQFNP-MR     | RVM             | 76   | 250         | Green (RoHS & no Sb/Br) | CU SN                   | Level-3-260C-168 HR  | -40 to 85    | (CC256 ~ CC2564)<br>4   |                         |

(1) The marketing status values are defined as follows:

**ACTIVE:** Product device recommended for new designs.

**LIFEBUY:** TI has announced that the device will be discontinued, and a lifetime-buy period is in effect.

**NRND:** Not recommended for new designs. Device is in production to support existing customers, but TI does not recommend using this part in a new design.

**PREVIEW:** Device has been announced but is not in production. Samples may or may not be available.

**OBSELETE:** TI has discontinued the production of the device.

(2) Eco Plan - The planned eco-friendly classification: Pb-Free (RoHS), Pb-Free (RoHS Exempt), or Green (RoHS & no Sb/Br) - please check <http://www.ti.com/productcontent> for the latest availability information and additional product content details.

**TBD:** The Pb-Free/Green conversion plan has not been defined.

**Pb-Free (RoHS):** TI's terms "Lead-Free" or "Pb-Free" mean semiconductor products that are compatible with the current RoHS requirements for all 6 substances, including the requirement that lead not exceed 0.1% by weight in homogeneous materials. Where designed to be soldered at high temperatures, TI Pb-Free products are suitable for use in specified lead-free processes.

**Pb-Free (RoHS Exempt):** This component has a RoHS exemption for either 1) lead-based flip-chip solder bumps used between the die and package, or 2) lead-based die adhesive used between the die and leadframe. The component is otherwise considered Pb-Free (RoHS compatible) as defined above.

**Green (RoHS & no Sb/Br):** TI defines "Green" to mean Pb-Free (RoHS compatible), and free of Bromine (Br) and Antimony (Sb) based flame retardants (Br or Sb do not exceed 0.1% by weight in homogeneous material)

(3) MSL, Peak Temp. - The Moisture Sensitivity Level rating according to the JEDEC industry standard classifications, and peak solder temperature.

(4) There may be additional marking, which relates to the logo, the lot trace code information, or the environmental category on the device.

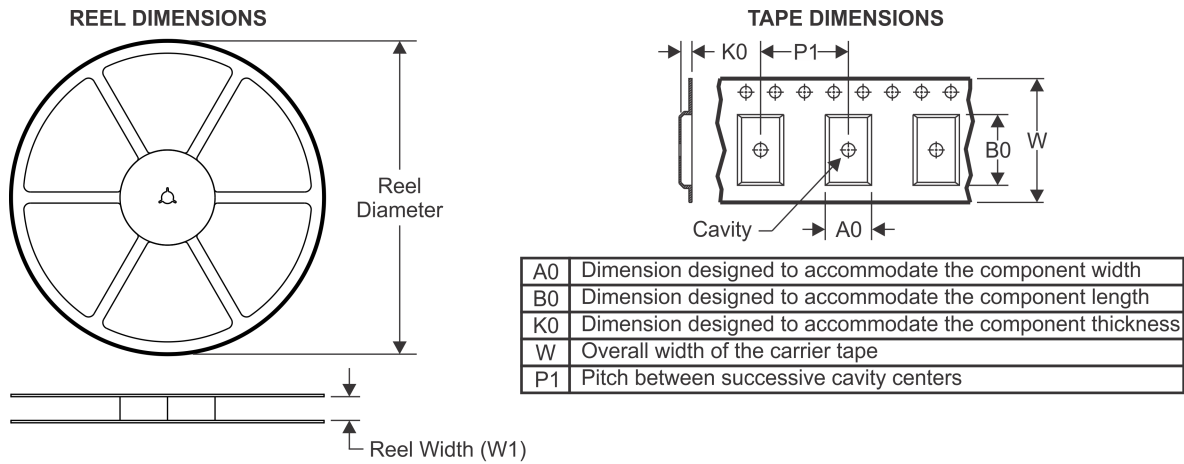
<sup>(5)</sup> Multiple Device Markings will be inside parentheses. Only one Device Marking contained in parentheses and separated by a "-" will appear on a device. If a line is indented then it is a continuation of the previous line and the two combined represent the entire Device Marking for that device.

<sup>(6)</sup> Lead/Ball Finish - Orderable Devices may have multiple material finish options. Finish options are separated by a vertical ruled line. Lead/Ball Finish values may wrap to two lines if the finish value exceeds the maximum column width.

**Important Information and Disclaimer:**The information provided on this page represents TI's knowledge and belief as of the date that it is provided. TI bases its knowledge and belief on information provided by third parties, and makes no representation or warranty as to the accuracy of such information. Efforts are underway to better integrate information from third parties. TI has taken and continues to take reasonable steps to provide representative and accurate information but may not have conducted destructive testing or chemical analysis on incoming materials and chemicals. TI and TI suppliers consider certain information to be proprietary, and thus CAS numbers and other limited information may not be available for release.

In no event shall TI's liability arising out of such information exceed the total purchase price of the TI part(s) at issue in this document sold by TI to Customer on an annual basis.



**TAPE AND REEL INFORMATION**

**QUADRANT ASSIGNMENTS FOR PIN 1 ORIENTATION IN TAPE**


\*All dimensions are nominal

| Device      | Package Type | Package Drawing | Pins | SPQ  | Reel Diameter (mm) | Reel Width W1 (mm) | A0 (mm) | B0 (mm) | K0 (mm) | P1 (mm) | W (mm) | Pin1 Quadrant |
|-------------|--------------|-----------------|------|------|--------------------|--------------------|---------|---------|---------|---------|--------|---------------|
| CC2560ARVMT | VQFN-MR      | RVM             | 76   | 250  | 180.0              | 16.4               | 8.35    | 8.35    | 1.7     | 12.0    | 16.0   | Q2            |
| CC2564BRVMR | VQFN-MR      | RVM             | 76   | 2500 | 330.0              | 16.4               | 8.35    | 8.35    | 1.7     | 12.0    | 16.0   | Q2            |
| CC2564BRVMT | VQFN-MR      | RVM             | 76   | 250  | 180.0              | 16.4               | 8.35    | 8.35    | 1.7     | 12.0    | 16.0   | Q2            |
| CC2564RVMR  | VQFN-MR      | RVM             | 76   | 2500 | 330.0              | 16.4               | 8.35    | 8.35    | 1.7     | 12.0    | 16.0   | Q2            |
| CC2564RVMT  | VQFN-MR      | RVM             | 76   | 250  | 180.0              | 16.4               | 8.35    | 8.35    | 1.7     | 12.0    | 16.0   | Q2            |

**TAPE AND REEL BOX DIMENSIONS**


\*All dimensions are nominal

| Device      | Package Type | Package Drawing | Pins | SPQ  | Length (mm) | Width (mm) | Height (mm) |
|-------------|--------------|-----------------|------|------|-------------|------------|-------------|
| CC2560ARVMT | VQFNP-MR     | RVM             | 76   | 250  | 213.0       | 191.0      | 55.0        |
| CC2564BRVMR | VQFNP-MR     | RVM             | 76   | 2500 | 336.6       | 336.6      | 28.6        |
| CC2564BRVMT | VQFNP-MR     | RVM             | 76   | 250  | 213.0       | 191.0      | 55.0        |
| CC2564RVMR  | VQFNP-MR     | RVM             | 76   | 2500 | 336.6       | 336.6      | 28.6        |
| CC2564RVMT  | VQFNP-MR     | RVM             | 76   | 250  | 213.0       | 191.0      | 55.0        |

## IMPORTANT NOTICE

Texas Instruments Incorporated and its subsidiaries (TI) reserve the right to make corrections, enhancements, improvements and other changes to its semiconductor products and services per JESD46, latest issue, and to discontinue any product or service per JESD48, latest issue. Buyers should obtain the latest relevant information before placing orders and should verify that such information is current and complete. All semiconductor products (also referred to herein as "components") are sold subject to TI's terms and conditions of sale supplied at the time of order acknowledgment.

TI warrants performance of its components to the specifications applicable at the time of sale, in accordance with the warranty in TI's terms and conditions of sale of semiconductor products. Testing and other quality control techniques are used to the extent TI deems necessary to support this warranty. Except where mandated by applicable law, testing of all parameters of each component is not necessarily performed.

TI assumes no liability for applications assistance or the design of Buyers' products. Buyers are responsible for their products and applications using TI components. To minimize the risks associated with Buyers' products and applications, Buyers should provide adequate design and operating safeguards.

TI does not warrant or represent that any license, either express or implied, is granted under any patent right, copyright, mask work right, or other intellectual property right relating to any combination, machine, or process in which TI components or services are used. Information published by TI regarding third-party products or services does not constitute a license to use such products or services or a warranty or endorsement thereof. Use of such information may require a license from a third party under the patents or other intellectual property of the third party, or a license from TI under the patents or other intellectual property of TI.

Reproduction of significant portions of TI information in TI data books or data sheets is permissible only if reproduction is without alteration and is accompanied by all associated warranties, conditions, limitations, and notices. TI is not responsible or liable for such altered documentation. Information of third parties may be subject to additional restrictions.

Resale of TI components or services with statements different from or beyond the parameters stated by TI for that component or service voids all express and any implied warranties for the associated TI component or service and is an unfair and deceptive business practice. TI is not responsible or liable for any such statements.

Buyer acknowledges and agrees that it is solely responsible for compliance with all legal, regulatory and safety-related requirements concerning its products, and any use of TI components in its applications, notwithstanding any applications-related information or support that may be provided by TI. Buyer represents and agrees that it has all the necessary expertise to create and implement safeguards which anticipate dangerous consequences of failures, monitor failures and their consequences, lessen the likelihood of failures that might cause harm and take appropriate remedial actions. Buyer will fully indemnify TI and its representatives against any damages arising out of the use of any TI components in safety-critical applications.

In some cases, TI components may be promoted specifically to facilitate safety-related applications. With such components, TI's goal is to help enable customers to design and create their own end-product solutions that meet applicable functional safety standards and requirements. Nonetheless, such components are subject to these terms.

No TI components are authorized for use in FDA Class III (or similar life-critical medical equipment) unless authorized officers of the parties have executed a special agreement specifically governing such use.

Only those TI components which TI has specifically designated as military grade or "enhanced plastic" are designed and intended for use in military/aerospace applications or environments. Buyer acknowledges and agrees that any military or aerospace use of TI components which have **not** been so designated is solely at the Buyer's risk, and that Buyer is solely responsible for compliance with all legal and regulatory requirements in connection with such use.

TI has specifically designated certain components as meeting ISO/TS16949 requirements, mainly for automotive use. In any case of use of non-designated products, TI will not be responsible for any failure to meet ISO/TS16949.

### Products

|                              |  |
|------------------------------|--|
| Audio                        | <a href="http://www.ti.com/audio">www.ti.com/audio</a>                               |
| Amplifiers                   | <a href="http://amplifier.ti.com">amplifier.ti.com</a>                               |
| Data Converters              | <a href="http://dataconverter.ti.com">dataconverter.ti.com</a>                       |
| DLP® Products                | <a href="http://www.dlp.com">www.dlp.com</a>   |
| DSP                          | <a href="http://dsp.ti.com">dsp.ti.com</a>   |
| Clocks and Timers            | <a href="http://www.ti.com/clocks">www.ti.com/clocks</a>                             |
| Interface                    | <a href="http://interface.ti.com">interface.ti.com</a>                               |
| Logic                        | <a href="http://logic.ti.com">logic.ti.com</a>                                       |
| Power Mgmt                   | <a href="http://power.ti.com">power.ti.com</a>                                       |
| Microcontrollers             | <a href="http://microcontroller.ti.com">microcontroller.ti.com</a>                   |
| RFID                         | <a href="http://www.ti-rfid.com">www.ti-rfid.com</a>                                 |
| OMAP Applications Processors | <a href="http://www.ti.com/omap">www.ti.com/omap</a>                                 |
| Wireless Connectivity        | <a href="http://www.ti.com/wirelessconnectivity">www.ti.com/wirelessconnectivity</a> |

### Applications

|                               |  |
|-------------------------------|--|
| Automotive and Transportation | <a href="http://www.ti.com/automotive">www.ti.com/automotive</a>                         |
| Communications and Telecom    | <a href="http://www.ti.com/communications">www.ti.com/communications</a>                 |
| Computers and Peripherals     | <a href="http://www.ti.com/computers">www.ti.com/computers</a>                           |
| Consumer Electronics          | <a href="http://www.ti.com/consumer-apps">www.ti.com/consumer-apps</a>                   |
| Energy and Lighting           | <a href="http://www.ti.com/energy">www.ti.com/energy</a>                                 |
| Industrial                    | <a href="http://www.ti.com/industrial">www.ti.com/industrial</a>                         |
| Medical                       | <a href="http://www.ti.com/medical">www.ti.com/medical</a>                               |
| Security                      | <a href="http://www.ti.com/security">www.ti.com/security</a>                             |
| Space, Avionics and Defense   | <a href="http://www.ti.com/space-avionics-defense">www.ti.com/space-avionics-defense</a> |
| Video and Imaging             | <a href="http://www.ti.com/video">www.ti.com/video</a>                                   |

### TI E2E Community

[e2e.ti.com](http://e2e.ti.com)



## Стандарт Электрон Связь

Мы молодая и активно развивающаяся компания в области поставок электронных компонентов. Мы поставляем электронные компоненты отечественного и импортного производства напрямую от производителей и с крупнейших складов мира.

Благодаря сотрудничеству с мировыми поставщиками мы осуществляем комплексные и плановые поставки широчайшего спектра электронных компонентов.

Собственная эффективная логистика и склад в обеспечивает надежную поставку продукции в точно указанные сроки по всей России.

Мы осуществляем техническую поддержку нашим клиентам и предпродажную проверку качества продукции. На все поставляемые продукты мы предоставляем гарантию .

Осуществляем поставки продукции под контролем ВП МО РФ на предприятия военно-промышленного комплекса России , а также работаем в рамках 275 ФЗ с открытием отдельных счетов в уполномоченном банке. Система менеджмента качества компании соответствует требованиям ГОСТ ISO 9001.

Минимальные сроки поставки, гибкие цены, неограниченный ассортимент и индивидуальный подход к клиентам являются основой для выстраивания долгосрочного и эффективного сотрудничества с предприятиями радиоэлектронной промышленности, предприятиями ВПК и научно-исследовательскими институтами России.

С нами вы становитесь еще успешнее!

### Наши контакты:

**Телефон:** +7 812 627 14 35

**Электронная почта:** [sales@st-electron.ru](mailto:sales@st-electron.ru)

**Адрес:** 198099, Санкт-Петербург,  
Промышленная ул, дом № 19, литера Н,  
помещение 100-Н Офис 331