

THS7530EVM

This user's guide describes the characteristics, operation, and use of the THS7530EVM. This evaluation module (EVM) is a demonstration fixture for the [THS7530](#) wideband, fully differential, variable-gain amplifier, and provides 50-Ω input and output termination for easy evaluation with common 50-Ω test equipment. A complete circuit description, schematic diagram, and bill of materials are included.

Contents

1	Description	2
2	THS7530EVM Design	3
3	EVM Schematic and Bill of Materials	6

List of Figures

1	THS7530EVM Schematic	2
2	AC-Coupled Single-Ended Input with AC-Coupled Differential Output	4
3	AC-Coupled Differential Input with AC-Coupled Differential Output.....	4
4	DC-Coupled Single-Ended Input with DC-Coupled Differential Output	5
5	DC-Coupled Differential Input with DC-Coupled Differential Output	5
6	Complete EVM Schematic	6
7	EVM Board Layout: Top (Left) and Bottom (Right)	6

1 Description

This section gives a general description of the THS7530EVM.

1.1 General Description

The THS7530 is a dc-coupled wide bandwidth amplifier with voltage-controlled gain. The amplifier has high impedance differential inputs and low impedance differential outputs with high bandwidth gain control, output common mode control, and output voltage clamping. It is packaged in a 14-pin PWP PowerPAD™ package. The schematic of the THS7530EVM, as furnished, is shown in [Figure 1](#).

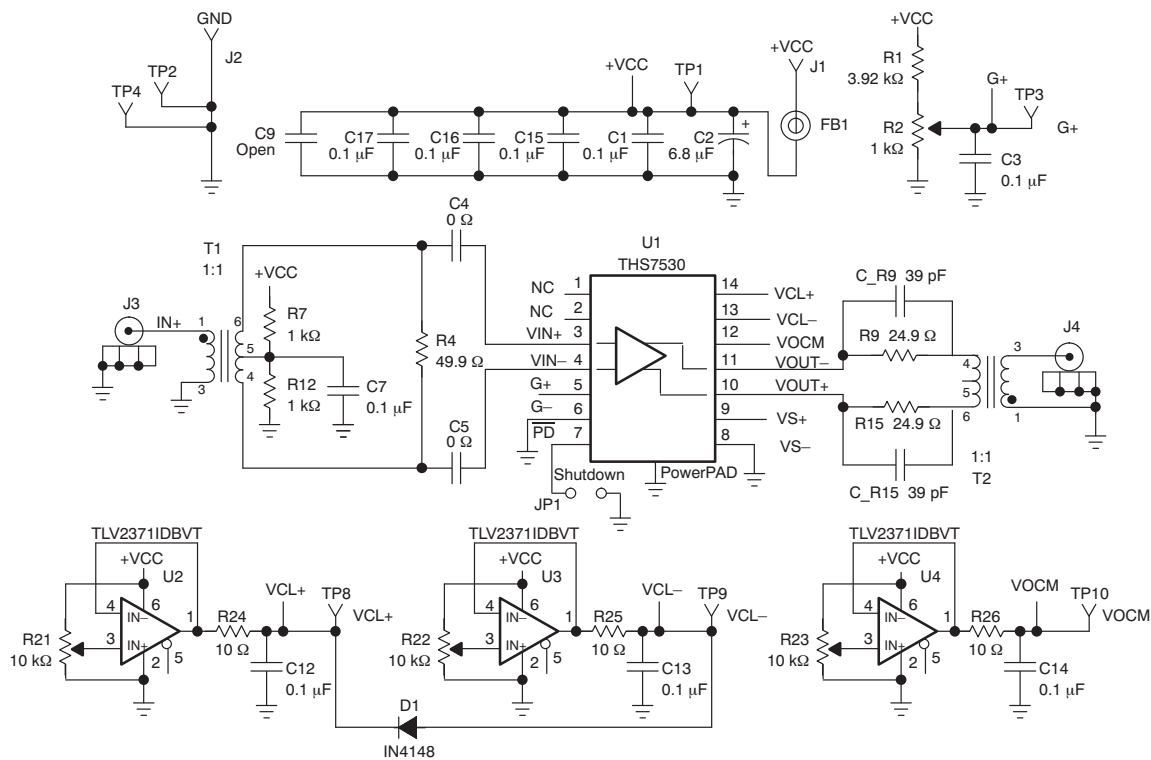


Figure 1. THS7530EVM Schematic

1.2 Board Description

- Power input: $+5V_{DC}$ at $+V_{CC}$ (J1), test point TP1
- Common reference: GND (J2), test point TP2 and TP4
- Signal input: IN+ (J3)
- Signal output: OUT- (J4)
- Gain control: Gain (R2), test point TP3
- High clamp voltage: VCL+ (R21), test point TP8
- Low clamp voltage: VCL- (R22), test point TP9
- Output common-mode voltage: VOVM (R23), test point TP10
- Power down: SHD (JP1) open for normal operation (pin labeled \overline{PD} in the data sheet).

2 THS7530EVM Design

This section discusses general design considerations for the THS7530EVM.

2.1 General Design Considerations

The THS7530 is designed for nominal 5-V power supply from V_{S+} to V_{S-} .

The amplifier has fully differential inputs, V_{IN+} and V_{IN-} , and fully differential outputs, V_{OUT+} and V_{OUT-} . The inputs are high impedance and outputs are low impedance. External resistors are required for impedance matching and termination purposes.

For best performance, the input and output common-mode voltage should be maintained at the midpoint between V_{S+} and V_{S-} . The output common-mode voltage is controlled by the voltage applied to V_{OCM} . If left unconnected, V_{OCM} is set at mid-rail by internal resistors. The input common-mode voltage must be set by external means.

Voltage applied from V_{G-} to V_{G+} controls the gain of the part with 38.8 dB/V gain compliance. The input can be differential or single-ended. V_{G-} must be maintained within ± 0.8 V of V_{S-} .

V_{CL+} and V_{CL-} are inputs that limit the output voltage swing of the amplifier. The voltages applied set an absolute limit on the voltages at the output.

\overline{PD} input controls the power down feature of the part. A TTL low puts the part into power savings mode, and a high or unconnected input puts the part in normal operating mode.

Power supply bypass capacitors are required for proper operation. A 6.8- μ F tantalum bulk capacitor is recommended if the amplifier is located far from the power supply and may be shared among other devices. A ceramic 0.1- μ F capacitor is recommended within 0.1 in (0,254 cm) of the device power pin. The ceramic capacitor should be located on the same layer as the amplifier to eliminate the use of vias between the capacitors and the power pin if possible.

2.2 Other Circuits

Figure 2 through Figure 5 show some different variations of circuit configurations that can be built by modifying the EVM.

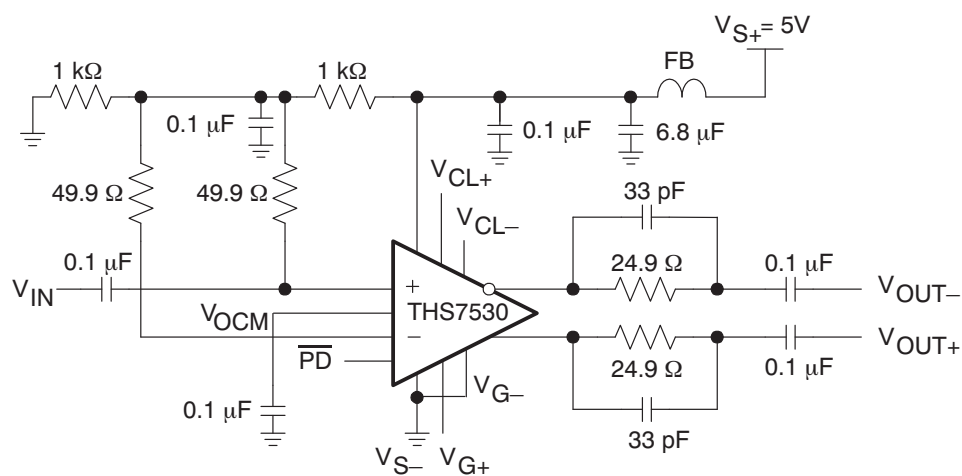


Figure 2. AC-Coupled Single-Ended Input with AC-Coupled Differential Output

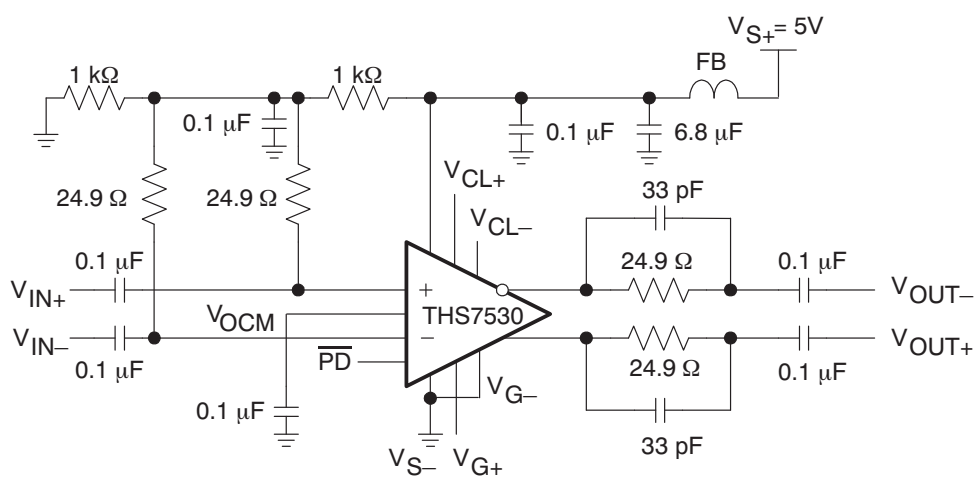


Figure 3. AC-Coupled Differential Input with AC-Coupled Differential Output

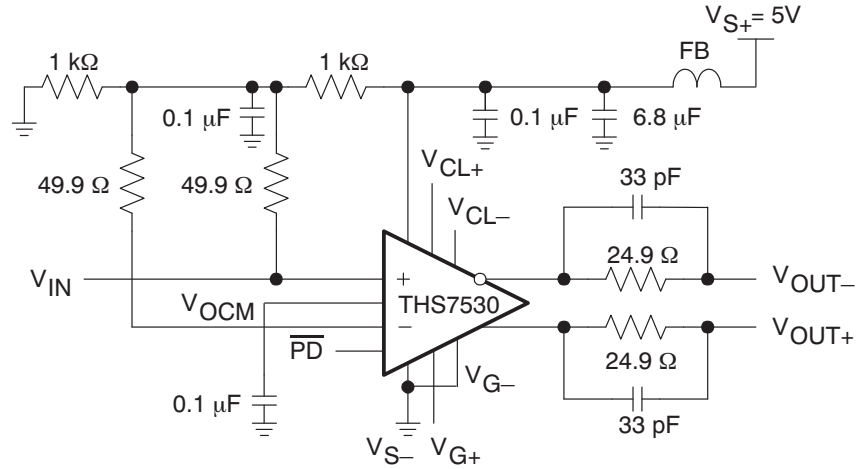


Figure 4. DC-Coupled Single-Ended Input with DC-Coupled Differential Output

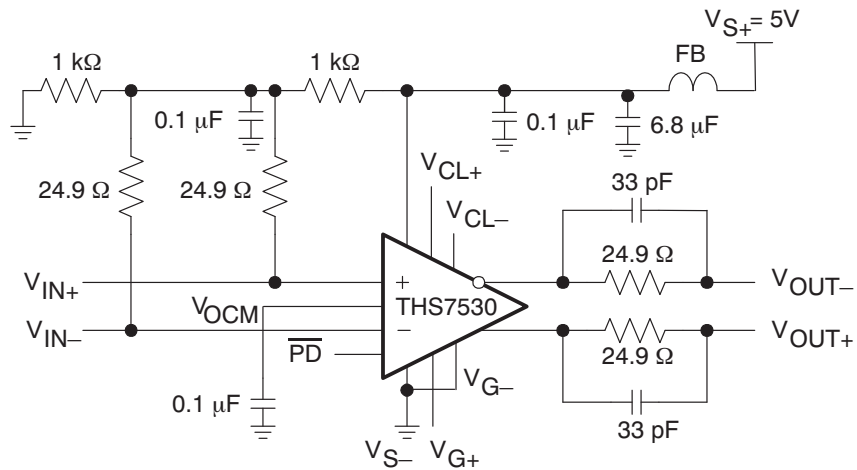


Figure 5. DC-Coupled Differential Input with DC-Coupled Differential Output

3 EVM Schematic and Bill of Materials

This section provides a complete schematic diagram, board layouts, and bill of materials for the THS7530EVM.

3.1 Complete EVM Schematic

Figure 6 shows the complete EVM schematic. The two PCB layers are illustrated in Figure 7.

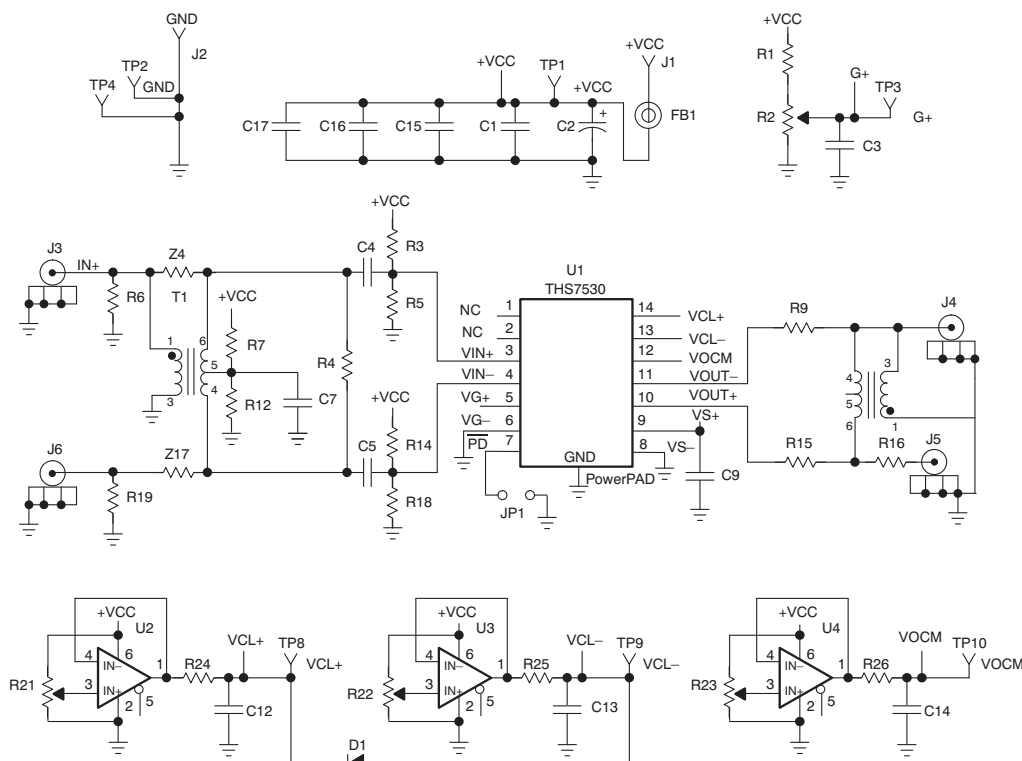


Figure 6. Complete EVM Schematic

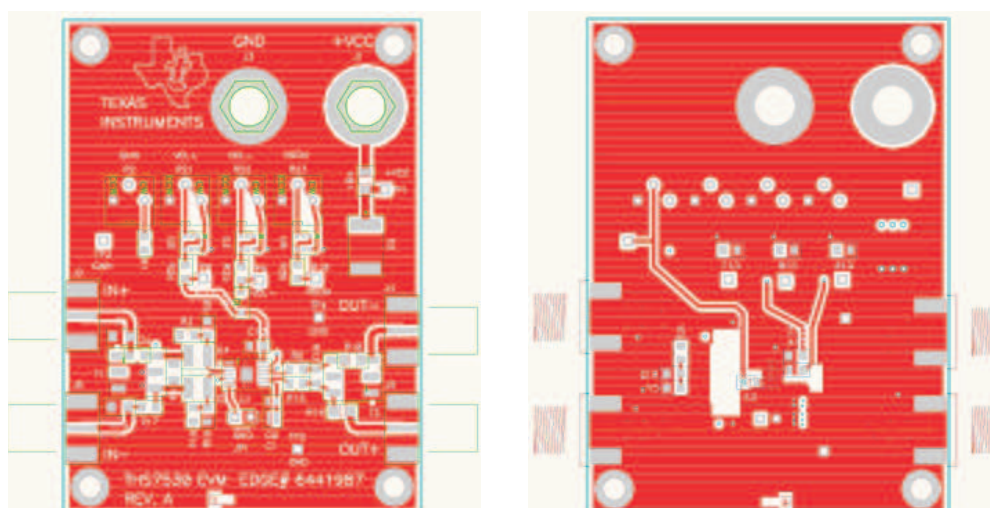


Figure 7. EVM Board Layout: Top (Left) and Bottom (Right)

3.2 EVM Bill of Materials

Table 1 lists the bill of materials for the THS7530EVM.

Table 1. THS7530EVM Bill of Materials

Item No.	Description	Size	RefDes	Qty	Part Number
1	Bead, ferrite, 3 A, 80 Ω	1206	FB1	1	(Steward) HI1206N800R-00
2	Capacitor, tantalum, 6.8 μ F, 35 V, 10%	D	C2	1	(AVX) TAJD685K035R
3	Capacitor, ceramic, 0.1 μ F, X7R, 16V	0508	C1	1	(AVX) 0508YC104KAT2A
5	Capacitor, ceramic, 0.1 μ F, X7R, 50 V	0805	C3, C7, C12, C13, C14, C15, C16, C17	8	(AVX) 08055C104KAT2A
6	Diode, Schottky, 20 V, 0.5 A	SOD-123	D1	1	(Diodes Inc.) B0520LW-7
7	Resistor, 10 Ω , 1/8 W, 1%	0805	R24, R25, R26	3	(PHYCOMP) 9C08052A10R0FKHFT
8	Resistor, 24.9 Ω , 1/8 W, 1%	0805	R9, R15	2	(PHYCOMP) 9C08052A24R9FKHFT
9	Resistor, 1 k Ω , 1.8W, 1%	0805	R7, R12	2	(PHYCOMP) 9C08052A1001FKHFT
10	Resistor, 3.92 k Ω , 1/8 W, 1%	0805	R1	1	(PHYCOMP) 9C08052A3921FKHFT
11	Resistor, 0 Ω , 1/4 W	1206	C4, C5	2	(PHYCOMP) 9C12063A0R00JLHFT
12	Resistor, 49.9 Ω , 1/4 W, 1%	1206	R4	1	(PHYCOMP) 9C12063A49R9FKRFT
13	Pot., ceramic, 1/4 inch square, 1 k Ω		R2	1	(Bourns) 3362P-1-102
14	Pot., ceramic, 1/4 inch square, 10 k Ω		R21, R22, R23	3	(Bourns) 3362P-1-103
15	IC, TLV2371	SOT-23	U2, U3, U4	3	(TI) TLV2371IDBVT
16	Transformer, 1:1	CD542	T1, T2	2	(Mini-Circuits) ADT1-1WT
17	Connector, edge, SMA PCB Jack		J3, J4	2	(Johnson) 142-0701-801
18	Jack, banana receptacle, 0.25-in diameter hole		J1, J2	2	(HH Smith) 101
19	Header, 0.1-in Ctrs, 0.025-in square pins	2 POS.	JP1	1	(Sullins) PZC36SAAN
20	Shunts		JP1	1	(Sullins) SSC02SYAN
21	Test point, black		TP2, TP3, TP4	3	(Keystone) 5001
22	Test points, red		TP1, TP8, TP9, TP10	4	(Keystone) 5000
23	Standoff, 4-40 Hex, 0.625-in Length			4	(Keystone) 1804
24	Screw, Phillips, 4-40, .250-in			4	SHR-0440-016-SN
25	IC, THS7530		U1	1	(TI) THS7530PWP
26	Board, printed circuit			1	(TI) EDGE # 6441987

REVISION HISTORY

Changes from Original (April, 2003) to A Revision	Page
• Updated document format to current standards	1
• Changed Figure 2 through Figure 5 to correct problem with output indication	4

NOTE: Page numbers for previous revisions may differ from page numbers in the current version.

Evaluation Board/Kit Important Notice

Texas Instruments (TI) provides the enclosed product(s) under the following conditions:

This evaluation board/kit is intended for use for **ENGINEERING DEVELOPMENT, DEMONSTRATION, OR EVALUATION PURPOSES ONLY** and is not considered by TI to be a finished end-product fit for general consumer use. Persons handling the product(s) must have electronics training and observe good engineering practice standards. As such, the goods being provided are not intended to be complete in terms of required design-, marketing-, and/or manufacturing-related protective considerations, including product safety and environmental measures typically found in end products that incorporate such semiconductor components or circuit boards. This evaluation board/kit does not fall within the scope of the European Union directives regarding electromagnetic compatibility, restricted substances (RoHS), recycling (WEEE), FCC, CE or UL, and therefore may not meet the technical requirements of these directives or other related directives.

Should this evaluation board/kit not meet the specifications indicated in the User's Guide, the board/kit may be returned within 30 days from the date of delivery for a full refund. **THE FOREGOING WARRANTY IS THE EXCLUSIVE WARRANTY MADE BY SELLER TO BUYER AND IS IN LIEU OF ALL OTHER WARRANTIES, EXPRESSED, IMPLIED, OR STATUTORY, INCLUDING ANY WARRANTY OF MERCHANTABILITY OR FITNESS FOR ANY PARTICULAR PURPOSE.**

The user assumes all responsibility and liability for proper and safe handling of the goods. Further, the user indemnifies TI from all claims arising from the handling or use of the goods. Due to the open construction of the product, it is the user's responsibility to take any and all appropriate precautions with regard to electrostatic discharge.

EXCEPT TO THE EXTENT OF THE INDEMNITY SET FORTH ABOVE, NEITHER PARTY SHALL BE LIABLE TO THE OTHER FOR ANY INDIRECT, SPECIAL, INCIDENTAL, OR CONSEQUENTIAL DAMAGES.

TI currently deals with a variety of customers for products, and therefore our arrangement with the user **is not exclusive.**

TI assumes **no liability for applications assistance, customer product design, software performance, or infringement of patents or services described herein.**

Please read the User's Guide and, specifically, the Warnings and Restrictions notice in the User's Guide prior to handling the product. This notice contains important safety information about temperatures and voltages. For additional information on TI's environmental and/or safety programs, please contact the TI application engineer or visit www.ti.com/esh.

No license is granted under any patent right or other intellectual property right of TI covering or relating to any machine, process, or combination in which such TI products or services might be or are used.

FCC Warning

This evaluation board/kit is intended for use for **ENGINEERING DEVELOPMENT, DEMONSTRATION, OR EVALUATION PURPOSES ONLY** and is not considered by TI to be a finished end-product fit for general consumer use. It generates, uses, and can radiate radio frequency energy and has not been tested for compliance with the limits of computing devices pursuant to part 15 of FCC rules, which are designed to provide reasonable protection against radio frequency interference. Operation of this equipment in other environments may cause interference with radio communications, in which case the user at his own expense will be required to take whatever measures may be required to correct this interference.

EVM Warnings and Restrictions

It is important to operate this EVM within the input voltage range of 0 V to +5 V and the output voltage range of 0 V to +5 V.

Exceeding the specified input range may cause unexpected operation and/or irreversible damage to the EVM. If there are questions concerning the input range, please contact a TI field representative prior to connecting the input power.

Applying loads outside of the specified output range may result in unintended operation and/or possible permanent damage to the EVM. Please consult the EVM User's Guide prior to connecting any load to the EVM output. If there is uncertainty as to the load specification, please contact a TI field representative.

During normal operation, some circuit components may have case temperatures greater than +60° C. The EVM is designed to operate properly with certain components above +60° C as long as the input and output ranges are maintained. These components include but are not limited to linear regulators, switching transistors, pass transistors, and current sense resistors. These types of devices can be identified using the EVM schematic located in the EVM User's Guide. When placing measurement probes near these devices during operation, please be aware that these devices may be very warm to the touch.

Mailing Address: Texas Instruments, Post Office Box 655303, Dallas, Texas 75265
Copyright © 2010, Texas Instruments Incorporated

IMPORTANT NOTICE

Texas Instruments Incorporated and its subsidiaries (TI) reserve the right to make corrections, modifications, enhancements, improvements, and other changes to its products and services at any time and to discontinue any product or service without notice. Customers should obtain the latest relevant information before placing orders and should verify that such information is current and complete. All products are sold subject to TI's terms and conditions of sale supplied at the time of order acknowledgment.

TI warrants performance of its hardware products to the specifications applicable at the time of sale in accordance with TI's standard warranty. Testing and other quality control techniques are used to the extent TI deems necessary to support this warranty. Except where mandated by government requirements, testing of all parameters of each product is not necessarily performed.

TI assumes no liability for applications assistance or customer product design. Customers are responsible for their products and applications using TI components. To minimize the risks associated with customer products and applications, customers should provide adequate design and operating safeguards.

TI does not warrant or represent that any license, either express or implied, is granted under any TI patent right, copyright, mask work right, or other TI intellectual property right relating to any combination, machine, or process in which TI products or services are used. Information published by TI regarding third-party products or services does not constitute a license from TI to use such products or services or a warranty or endorsement thereof. Use of such information may require a license from a third party under the patents or other intellectual property of the third party, or a license from TI under the patents or other intellectual property of TI.

Reproduction of TI information in TI data books or data sheets is permissible only if reproduction is without alteration and is accompanied by all associated warranties, conditions, limitations, and notices. Reproduction of this information with alteration is an unfair and deceptive business practice. TI is not responsible or liable for such altered documentation. Information of third parties may be subject to additional restrictions.

Resale of TI products or services with statements different from or beyond the parameters stated by TI for that product or service voids all express and any implied warranties for the associated TI product or service and is an unfair and deceptive business practice. TI is not responsible or liable for any such statements.

TI products are not authorized for use in safety-critical applications (such as life support) where a failure of the TI product would reasonably be expected to cause severe personal injury or death, unless officers of the parties have executed an agreement specifically governing such use. Buyers represent that they have all necessary expertise in the safety and regulatory ramifications of their applications, and acknowledge and agree that they are solely responsible for all legal, regulatory and safety-related requirements concerning their products and any use of TI products in such safety-critical applications, notwithstanding any applications-related information or support that may be provided by TI. Further, Buyers must fully indemnify TI and its representatives against any damages arising out of the use of TI products in such safety-critical applications.

TI products are neither designed nor intended for use in military/aerospace applications or environments unless the TI products are specifically designated by TI as military-grade or "enhanced plastic." Only products designated by TI as military-grade meet military specifications. Buyers acknowledge and agree that any such use of TI products which TI has not designated as military-grade is solely at the Buyer's risk, and that they are solely responsible for compliance with all legal and regulatory requirements in connection with such use.

TI products are neither designed nor intended for use in automotive applications or environments unless the specific TI products are designated by TI as compliant with ISO/TS 16949 requirements. Buyers acknowledge and agree that, if they use any non-designated products in automotive applications, TI will not be responsible for any failure to meet such requirements.

Following are URLs where you can obtain information on other Texas Instruments products and application solutions:

Products		Applications	
Amplifiers	amplifier.ti.com	Audio	www.ti.com/audio
Data Converters	dataconverter.ti.com	Automotive	www.ti.com/automotive
DLP® Products	www.dlp.com	Communications and Telecom	www.ti.com/communications
DSP	dsp.ti.com	Computers and Peripherals	www.ti.com/computers
Clocks and Timers	www.ti.com/clocks	Consumer Electronics	www.ti.com/consumer-apps
Interface	interface.ti.com	Energy	www.ti.com/energy
Logic	logic.ti.com	Industrial	www.ti.com/industrial
Power Mgmt	power.ti.com	Medical	www.ti.com/medical
Microcontrollers	microcontroller.ti.com	Security	www.ti.com/security
RFID	www.ti-rfid.com	Space, Avionics & Defense	www.ti.com/space-avionics-defense
RF/IF and ZigBee® Solutions	www.ti.com/lprf	Video and Imaging	www.ti.com/video
		Wireless	www.ti.com/wireless-apps

Mailing Address: Texas Instruments, Post Office Box 655303, Dallas, Texas 75265
Copyright © 2010, Texas Instruments Incorporated



Стандарт Электрон Связь

Мы молодая и активно развивающаяся компания в области поставок электронных компонентов. Мы поставляем электронные компоненты отечественного и импортного производства напрямую от производителей и с крупнейших складов мира.

Благодаря сотрудничеству с мировыми поставщиками мы осуществляем комплексные и плановые поставки широчайшего спектра электронных компонентов.

Собственная эффективная логистика и склад в обеспечивает надежную поставку продукции в точно указанные сроки по всей России.

Мы осуществляем техническую поддержку нашим клиентам и предпродажную проверку качества продукции. На все поставляемые продукты мы предоставляем гарантию .

Осуществляем поставки продукции под контролем ВП МО РФ на предприятия военно-промышленного комплекса России , а также работаем в рамках 275 ФЗ с открытием отдельных счетов в уполномоченном банке. Система менеджмента качества компании соответствует требованиям ГОСТ ISO 9001.

Минимальные сроки поставки, гибкие цены, неограниченный ассортимент и индивидуальный подход к клиентам являются основой для выстраивания долгосрочного и эффективного сотрудничества с предприятиями радиоэлектронной промышленности, предприятиями ВПК и научно-исследовательскими институтами России.

С нами вы становитесь еще успешнее!

Наши контакты:

Телефон: +7 812 627 14 35

Электронная почта: sales@st-electron.ru

Адрес: 198099, Санкт-Петербург,
Промышленная ул, дом № 19, литера Н,
помещение 100-Н Офис 331