

74HC273; 74HCT273

Octal D-type flip-flop with reset; positive-edge trigger

Rev. 03 — 24 January 2006

Product data sheet

1. General description

The 74HC273; 74HCT273 is a high-speed Si-gate CMOS device and is pin compatible with Low-power Schottky TTL (LSTTL).

The 74HC273; 74HCT273 has eight edge-triggered, D-type flip-flops with individual D inputs and Q outputs. The common clock (pin CP) and master reset (pin $\overline{\text{MR}}$) inputs load and reset (clear) all flip-flops simultaneously. The state of each D input, one set-up time before the LOW-to-HIGH clock transition, is transferred to the corresponding output (Qn) of the flip-flop.

All outputs will be forced LOW independently of clock or data inputs by a LOW voltage level on the $\overline{\text{MR}}$ input.

The device is useful for applications where the true output only is required and the clock and master reset are common to all storage elements.

2. Features

- Ideal buffer for MOS microprocessor or memory
- Common clock and master reset
- Eight positive edge-triggered D-type flip-flops
- Complies with JEDEC standard no. 7A
- ESD protection:
 - ◆ HBM EIA/JESD22-A114-C exceeds 2000 V
 - ◆ MM EIA/JESD22-A115-A exceeds 200 V
- Multiple package options
- Specified from $-40\text{ }^{\circ}\text{C}$ to $+85\text{ }^{\circ}\text{C}$ and from $-40\text{ }^{\circ}\text{C}$ to $+125\text{ }^{\circ}\text{C}$

3. Quick reference data

Table 1: Quick reference data
GND = 0 V; $T_{\text{amb}} = 25\text{ }^{\circ}\text{C}$; $t_r = t_f = 6\text{ ns}$.

Symbol	Parameter	Conditions	Min	Typ	Max	Unit
74HC273						
t_{PHL} , t_{PLH}	propagation delay CP to Qn	$V_{\text{CC}} = 5\text{ V}$; $C_L = 15\text{ pF}$	-	15	-	ns
t_{PHL}	HIGH-to-LOW propagation delay $\overline{\text{MR}}$ to Qn	$V_{\text{CC}} = 5\text{ V}$; $C_L = 15\text{ pF}$	-	15	-	ns
f_{max}	maximum input clock frequency	$V_{\text{CC}} = 5\text{ V}$; $C_L = 15\text{ pF}$	-	66	-	MHz

PHILIPS

Table 1: Quick reference data ...continued $GND = 0\text{ V}$; $T_{amb} = 25\text{ °C}$; $t_r = t_f = 6\text{ ns}$.

Symbol	Parameter	Conditions	Min	Typ	Max	Unit
C_i	input capacitance		-	3.5	-	pF
C_{PD}	power dissipation capacitance	per flip-flop; $V_1 = GND$ to V_{CC}	[1]	20	-	pF
74HCT273						
t_{PHL} , t_{PLH}	propagation delay CP to Qn	$V_{CC} = 5\text{ V}$; $C_L = 15\text{ pF}$	-	15	-	ns
t_{PHL}	HIGH-to-LOW propagation delay MR to Qn	$V_{CC} = 5\text{ V}$; $C_L = 15\text{ pF}$	-	20	-	ns
f_{max}	maximum input clock frequency	$V_{CC} = 5\text{ V}$; $C_L = 15\text{ pF}$	-	36	-	MHz
C_i	input capacitance		-	3.5	-	pF
C_{PD}	power dissipation capacitance	per flip-flop; $V_1 = GND$ to $(V_{CC} - 1.5\text{ V})$	[1]	23	-	pF

[1] C_{PD} is used to determine the dynamic power dissipation (P_D in μW). $P_D = C_{PD} \times V_{CC}^2 \times f_i \times N + \sum(C_L \times V_{CC}^2 \times f_o)$ where: f_i = input frequency in MHz; f_o = output frequency in MHz; C_L = output load capacitance in pF; V_{CC} = supply voltage in V; N = number of inputs switching; $\sum(C_L \times V_{CC}^2 \times f_o)$ = sum of outputs.

4. Ordering information

Table 2: Ordering information

Type number	Package			
	Temperature range	Name	Description	Version
74HC273				
74HC273N	-40 °C to +125 °C	DIP20	plastic dual in-line package; 20 leads (300 mil)	SOT146-1
74HC273D	-40 °C to +125 °C	SO20	plastic small outline package; 20 leads; body width 7.5 mm	SOT163-1
74HC273DB	-40 °C to +125 °C	SSOP20	plastic shrink small outline package; 20 leads; body width 5.3 mm	SOT339-1
74HC273PW	-40 °C to +125 °C	TSSOP20	plastic thin shrink small outline package; 20 leads; body width 4.4 mm	SOT360-1
74HC273BQ	-40 °C to +125 °C	DHVQFN20	plastic dual in-line compatible thermal enhanced very thin quad flat package; no leads; 20 terminals; body 2.5 × 4.5 × 0.85 mm	SOT764-1
74HCT273				
74HCT273N	-40 °C to +125 °C	DIP20	plastic dual in-line package; 20 leads (300 mil)	SOT146-1
74HCT273D	-40 °C to +125 °C	SO20	plastic small outline package; 20 leads; body width 7.5 mm	SOT163-1

Table 2: Ordering information ...continued

Type number	Package			Version
	Temperature range	Name	Description	
74HCT273DB	-40 °C to +125 °C	SSOP20	plastic shrink small outline package; 20 leads; body width 5.3 mm	SOT339-1
74HCT273PW	-40 °C to +125 °C	TSSOP20	plastic thin shrink small outline package; 20 leads; body width 4.4 mm	SOT360-1
74HCT273BQ	-40 °C to +125 °C	DHVQFN20	plastic dual in-line compatible thermal enhanced very thin quad flat package; no leads; 20 terminals; body 2.5 × 4.5 × 0.85 mm	SOT764-1

5. Functional diagram

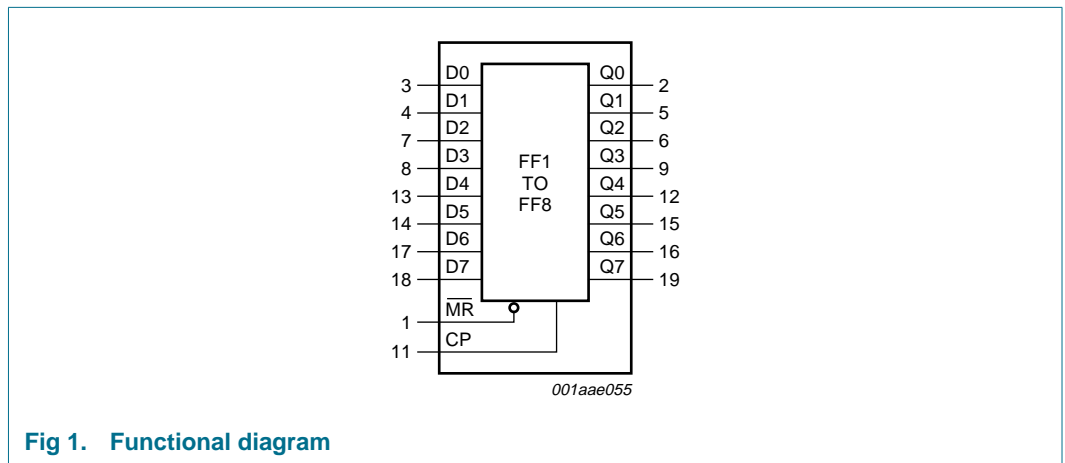


Fig 1. Functional diagram

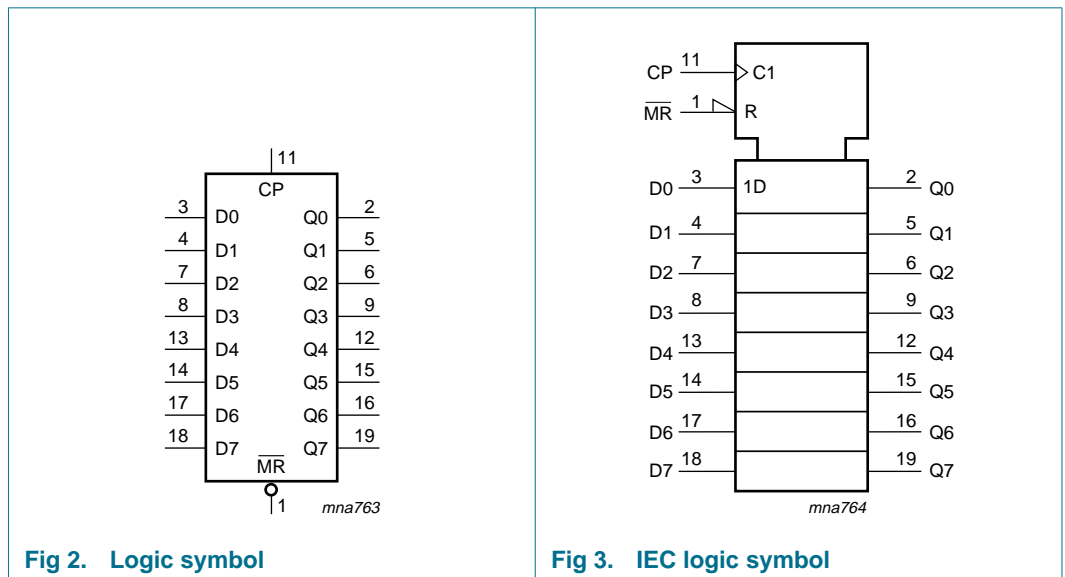


Fig 2. Logic symbol

Fig 3. IEC logic symbol

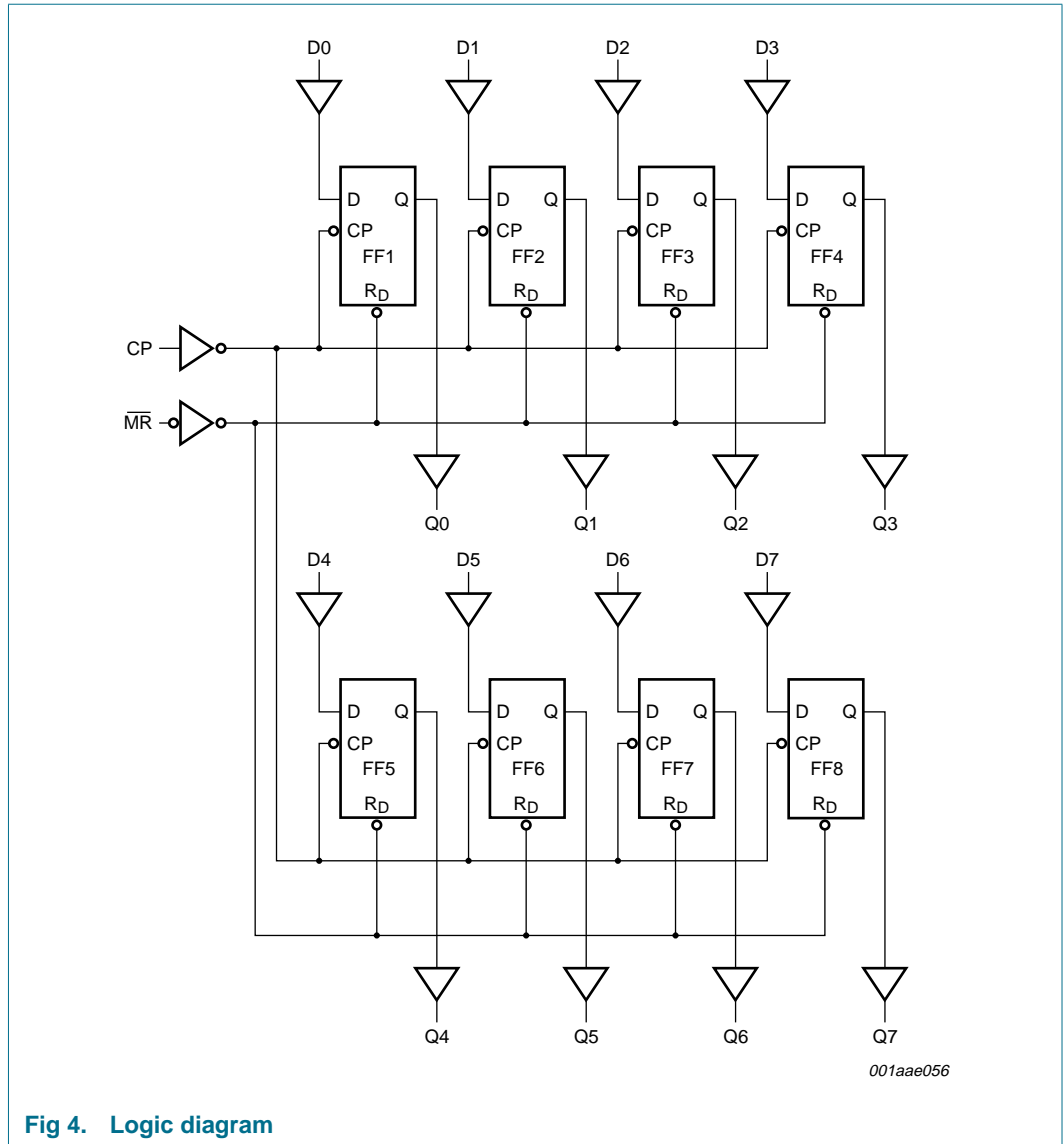
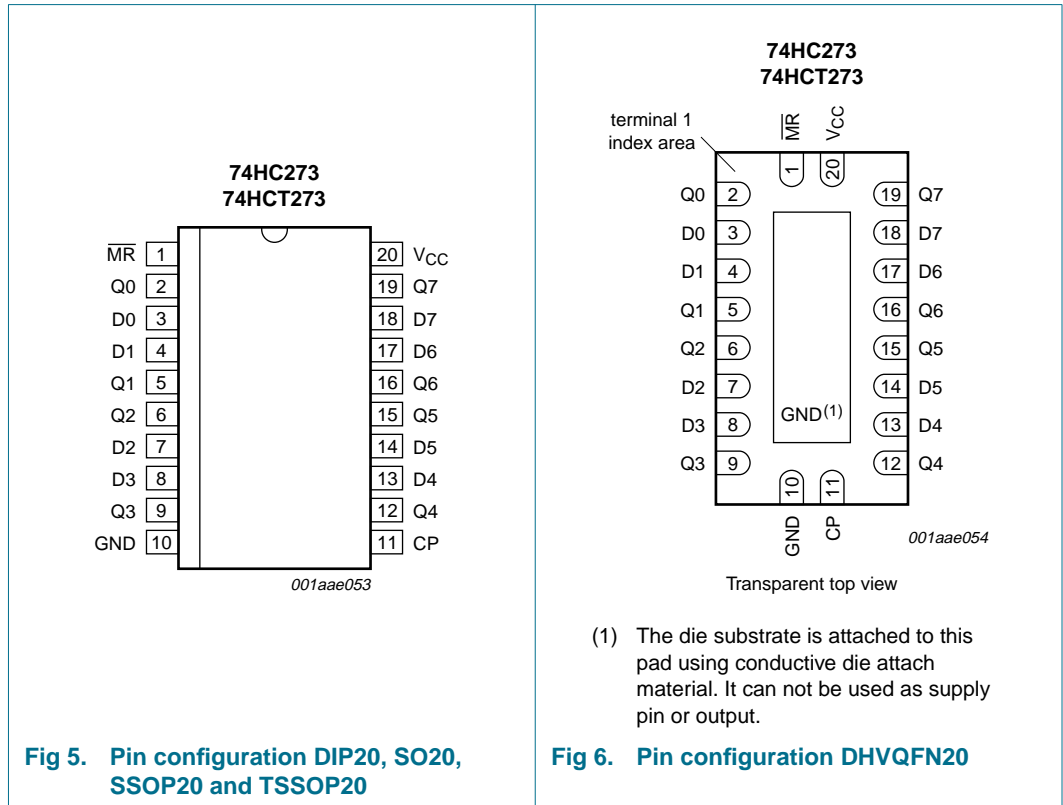


Fig 4. Logic diagram

6. Pinning information

6.1 Pinning



6.2 Pin description

Table 3: Pin description

Symbol	Pin	Description
MR	1	master reset input (active LOW)
Q0	2	flip-flop output 0
D0	3	data input 0
D1	4	data input 1
Q1	5	flip-flop output 1
Q2	6	flip-flop output 2
D2	7	data input 2
D3	8	data input 3
Q3	9	flip-flop output 3
GND	10	ground (0 V)
CP	11	clock input (LOW-to-HIGH, edge-triggered)
Q4	12	flip-flop output 4
D4	13	data input 4
D5	14	data input 5

Table 3: Pin description ...continued

Symbol	Pin	Description
Q5	15	flip-flop output 5
Q6	16	flip-flop output 6
D6	17	data input 6
D7	18	data input 7
Q7	19	flip-flop output 7
V _{CC}	20	supply voltage

7. Functional description

7.1 Function table

Table 4: Function table [1]

Operating modes	Control		Input	Output
	$\overline{\text{MR}}$	CP	Dn	Qn
Reset (clear)	L	X	X	L
Load 1	H	↑	h	H
Load 0	H	↑	l	L

- [1] H = HIGH voltage level;
h = HIGH voltage level one set-up time prior to the LOW-to-HIGH CP transition;
L = LOW voltage level;
l = LOW voltage level one set-up time prior to the LOW-to-HIGH CP transition;
↑ = LOW-to-HIGH transition;
X = don't care.

8. Limiting values

Table 5: Limiting values

In accordance with the Absolute Maximum Rating System (IEC 60134). Voltages are referenced to GND (ground = 0 V).

Symbol	Parameter	Conditions	Min	Max	Unit
V _{CC}	supply voltage		-0.5	+7	V
I _{IK}	input clamping current	V _I < -0.5 V or V _I > V _{CC} + 0.5 V	-	±20	mA
I _{OK}	output clamping current	V _O < -0.5 V or V _O > V _{CC} + 0.5 V	-	±20	mA
I _O	output current	V _O = -0.5 V to (V _{CC} + 0.5 V)	-	±25	mA
I _{CC}	quiescent supply current		-	50	mA
I _{GND}	ground current		-	-50	mA
T _{stg}	storage temperature		-65	+150	°C

Table 5: Limiting values ...continued

In accordance with the Absolute Maximum Rating System (IEC 60134). Voltages are referenced to GND (ground = 0 V).

Symbol	Parameter	Conditions	Min	Max	Unit
P _{tot}	total power dissipation				
	DIP20 package		[1] -	750	mW
	SO20 package		[2] -	500	mW
	SSOP20 package		[3] -	500	mW
	TSSOP20 package		[3] -	500	mW
	DHVQFN20 package		[4] -	500	mW

[1] For DIP20 package: P_{tot} derates linearly with 12 mW/K above 70 °C.

[2] For SO20 package: P_{tot} derates linearly with 8 mW/K above 70 °C.

[3] For SSOP20 and TSSOP20 packages: P_{tot} derates linearly with 5.5 mW/K above 60 °C.

[4] For DHVQFN20 packages: P_{tot} derates linearly with 4.5 mW/K above 60 °C.

9. Recommended operating conditions

Table 6: Recommended operating conditions

Symbol	Parameter	Conditions	Min	Typ	Max	Unit
74HC273						
V _{CC}	supply voltage		2.0	5.0	6.0	V
V _I	input voltage		0	-	V _{CC}	V
V _O	output voltage		0	-	V _{CC}	V
T _{amb}	ambient temperature		-40	+25	+125	°C
t _r , t _f	input rise and fall time	V _{CC} = 2.0 V	-	-	1000	ns
		V _{CC} = 4.5 V	-	6.0	500	ns
		V _{CC} = 6.0 V	-	-	400	ns
74HCT273						
V _{CC}	supply voltage		4.5	5.0	5.5	V
V _I	input voltage		0	-	V _{CC}	V
V _O	output voltage		0	-	V _{CC}	V
T _{amb}	ambient temperature		-40	+25	+125	°C
t _r , t _f	input rise and fall time	V _{CC} = 4.5 V	-	6.0	500	ns

10. Static characteristics

Table 7: Static characteristics 74HC273

At recommended operating conditions; voltages are referenced to GND (ground = 0 V).

Symbol	Parameter	Conditions	Min	Typ	Max	Unit
T_{amb} = 25 °C						
V _{IH}	HIGH-state input voltage	V _{CC} = 2.0 V	1.5	1.2	-	V
		V _{CC} = 4.5 V	3.15	2.4	-	V
		V _{CC} = 6.0 V	4.2	3.2	-	V

Table 7: Static characteristics 74HC273 ...continued

At recommended operating conditions; voltages are referenced to GND (ground = 0 V).

Symbol	Parameter	Conditions	Min	Typ	Max	Unit
V _{IL}	LOW-state input voltage	V _{CC} = 2.0 V	-	0.8	0.5	V
		V _{CC} = 4.5 V	-	2.1	1.35	V
		V _{CC} = 6.0 V	-	2.8	1.8	V
V _{OH}	HIGH-state output voltage	V _I = V _{IH} or V _{IL}				
		I _O = -20 μA; V _{CC} = 2.0 V	1.9	2.0	-	V
		I _O = -20 μA; V _{CC} = 4.5 V	4.4	4.5	-	V
		I _O = -20 μA; V _{CC} = 6.0 V	5.9	6.0	-	V
		I _O = -4.0 mA; V _{CC} = 4.5 V	3.98	4.32	-	V
		I _O = -5.2 mA; V _{CC} = 6.0 V	5.48	5.81	-	V
V _{OL}	LOW-state output voltage	V _I = V _{IH} or V _{IL}				
		I _O = 20 μA; V _{CC} = 2.0 V	-	0	0.1	V
		I _O = 20 μA; V _{CC} = 4.5 V	-	0	0.1	V
		I _O = 20 μA; V _{CC} = 6.0 V	-	0	0.1	V
		I _O = 4.0 mA; V _{CC} = 4.5 V	-	0.15	0.26	V
		I _O = 5.2 mA; V _{CC} = 6.0 V	-	0.16	0.26	V
I _{LI}	input leakage current	V _I = V _{CC} or GND; V _{CC} = 6.0 V	-	-	±0.1	μA
I _{oZ}	OFF-state output current	V _I = V _{IH} or V _{IL} ; V _O = V _{CC} or GND; V _{CC} = 6.0 V	-	-	±0.5	μA
I _{CC}	quiescent supply current	V _I = V _{CC} or GND; I _O = 0 A; V _{CC} = 6.0 V	-	-	8.0	μA
C _i	input capacitance		-	3.5	-	pF
T_{amb} = -40 °C to +85 °C						
V _{IH}	HIGH-state input voltage	V _{CC} = 2.0 V	1.5	-	-	V
		V _{CC} = 4.5 V	3.15	-	-	V
		V _{CC} = 6.0 V	4.2	-	-	V
V _{IL}	LOW-state input voltage	V _{CC} = 2.0 V	-	-	0.5	V
		V _{CC} = 4.5 V	-	-	1.35	V
		V _{CC} = 6.0 V	-	-	1.8	V
V _{OH}	HIGH-state output voltage	V _I = V _{IH} or V _{IL}				
		I _O = -20 μA; V _{CC} = 2.0 V	1.9	-	-	V
		I _O = -20 μA; V _{CC} = 4.5 V	4.4	-	-	V
		I _O = -20 μA; V _{CC} = 6.0 V	5.9	-	-	V
		I _O = -4.0 mA; V _{CC} = 4.5 V	3.84	-	-	V
		I _O = -5.2 mA; V _{CC} = 6.0 V	5.34	-	-	V
V _{OL}	LOW-state output voltage	V _I = V _{IH} or V _{IL}				
		I _O = 20 μA; V _{CC} = 2.0 V	-	-	0.1	V
		I _O = 20 μA; V _{CC} = 4.5 V	-	-	0.1	V
		I _O = 20 μA; V _{CC} = 6.0 V	-	-	0.1	V
		I _O = 4.0 mA; V _{CC} = 4.5 V	-	-	0.33	V
		I _O = 5.2 mA; V _{CC} = 6.0 V	-	-	0.33	V
I _{LI}	input leakage current	V _I = V _{CC} or GND; V _{CC} = 6.0 V	-	-	±1.0	μA

Table 7: Static characteristics 74HC273 ...continued

At recommended operating conditions; voltages are referenced to GND (ground = 0 V).

Symbol	Parameter	Conditions	Min	Typ	Max	Unit
I _{OZ}	OFF-state output current	V _I = V _{IH} or V _{IL} ; V _O = V _{CC} or GND; V _{CC} = 6.0 V	-	-	±5.0	µA
I _{CC}	quiescent supply current	V _I = V _{CC} or GND; I _O = 0 A; V _{CC} = 6.0 V	-	-	80	µA
T_{amb} = -40 °C to +125 °C						
V _{IH}	HIGH-state input voltage	V _{CC} = 2.0 V	1.5	-	-	V
		V _{CC} = 4.5 V	3.15	-	-	V
		V _{CC} = 6.0 V	4.2	-	-	V
V _{IL}	LOW-state input voltage	V _{CC} = 2.0 V	-	-	0.5	V
		V _{CC} = 4.5 V	-	-	1.35	V
		V _{CC} = 6.0 V	-	-	1.8	V
V _{OH}	HIGH-state output voltage	V _I = V _{IH} or V _{IL}	-	-	-	
		I _O = -20 µA; V _{CC} = 2.0 V	1.9	-	-	V
		I _O = -20 µA; V _{CC} = 4.5 V	4.4	-	-	V
		I _O = -20 µA; V _{CC} = 6.0 V	5.9	-	-	V
		I _O = -4.0 mA; V _{CC} = 4.5 V	3.7	-	-	V
V _{OL}	LOW-state output voltage	I _O = -5.2 mA; V _{CC} = 6.0 V	5.2	-	-	V
		V _I = V _{IH} or V _{IL}	-	-	-	
		I _O = 20 µA; V _{CC} = 2.0 V	-	-	0.1	V
		I _O = 20 µA; V _{CC} = 4.5 V	-	-	0.1	V
		I _O = 20 µA; V _{CC} = 6.0 V	-	-	0.1	V
I _{LI}	input leakage current	I _O = 4.0 mA; V _{CC} = 4.5 V	-	-	0.4	V
		I _O = 5.2 mA; V _{CC} = 6.0 V	-	-	0.4	V
		V _I = V _{CC} or GND; V _{CC} = 6.0 V	-	-	±1.0	µA
I _{OZ}	OFF-state output current	V _I = V _{IH} or V _{IL} ; V _O = V _{CC} or GND; V _{CC} = 6.0 V	-	-	±10.0	µA
I _{CC}	quiescent supply current	V _I = V _{CC} or GND; I _O = 0 A; V _{CC} = 6.0 V	-	-	160	µA

Table 8: Static characteristics 74HCT273

At recommended operating conditions; voltages are referenced to GND (ground = 0 V).

Symbol	Parameter	Conditions	Min	Typ	Max	Unit
T_{amb} = 25 °C						
V _{IH}	HIGH-state input voltage	V _{CC} = 4.5 V to 5.5 V	2.0	1.6	-	V
V _{IL}	LOW-state input voltage	V _{CC} = 4.5 V to 5.5 V	-	1.2	0.8	V
V _{OH}	HIGH-state output voltage	V _I = V _{IH} or V _{IL} ; V _{CC} = 4.5 V	-	-	-	
		I _O = -20 µA	4.4	4.5	-	V
		I _O = -4.0 mA	3.98	4.32	-	V
V _{OL}	LOW-state output voltage	V _I = V _{IH} or V _{IL} ; V _{CC} = 4.5 V	-	-	-	
		I _O = 20 µA	-	0	0.1	V
		I _O = 4.0 mA	-	0.15	0.26	V
I _{LI}	input leakage current	V _I = V _{CC} or GND; V _{CC} = 5.5 V	-	-	±0.1	µA

Table 8: Static characteristics 74HCT273 ...continued

At recommended operating conditions; voltages are referenced to GND (ground = 0 V).

Symbol	Parameter	Conditions	Min	Typ	Max	Unit
I_{OZ}	OFF-state output current	$V_I = V_{IH}$ or V_{IL} ; $V_{CC} = 5.5$ V; $V_O = V_{CC}$ or GND per input pin; other inputs at V_{CC} or GND; $I_O = 0$ A	-	-	± 0.5	μ A
I_{CC}	quiescent supply current	$V_I = V_{CC}$ or GND; $I_O = 0$ A; $V_{CC} = 5.5$ V	-	-	8.0	μ A
ΔI_{CC}	additional quiescent supply current	$V_I = V_{CC} - 2.1$ V; other inputs at V_{CC} or GND; $V_{CC} = 4.5$ V to 5.5 V; $I_O = 0$ A				
	pin \overline{MR}		-	100	360	μ A
	pin CP		-	175	630	μ A
	pin Dn		-	15	54	μ A
C_i	input capacitance		-	3.5	-	pF
$T_{amb} = -40$ °C to $+85$ °C						
V_{IH}	HIGH-state input voltage	$V_{CC} = 4.5$ V to 5.5 V	2.0	-	-	V
V_{IL}	LOW-state input voltage	$V_{CC} = 4.5$ V to 5.5 V	-	-	0.8	V
V_{OH}	HIGH-state output voltage	$V_I = V_{IH}$ or V_{IL} ; $V_{CC} = 4.5$ V				
		$I_O = -20$ μ A	4.4	-	-	V
		$I_O = -4.0$ mA	3.84	-	-	V
V_{OL}	LOW-state output voltage	$V_I = V_{IH}$ or V_{IL} ; $V_{CC} = 4.5$ V				
		$I_O = 20$ μ A	-	-	0.1	V
		$I_O = 4.0$ mA	-	-	0.33	V
I_{LI}	input leakage current	$V_I = V_{CC}$ or GND; $V_{CC} = 5.5$ V	-	-	± 1.0	μ A
I_{OZ}	OFF-state output current	$V_I = V_{IH}$ or V_{IL} ; $V_{CC} = 5.5$ V; $V_O = V_{CC}$ or GND per input pin; other inputs at V_{CC} or GND; $I_O = 0$ A	-	-	± 5.0	μ A
I_{CC}	quiescent supply current	$V_I = V_{CC}$ or GND; $I_O = 0$ A; $V_{CC} = 5.5$ V	-	-	80	μ A
ΔI_{CC}	additional quiescent supply current	$V_I = V_{CC} - 2.1$ V; other inputs at V_{CC} or GND; $V_{CC} = 4.5$ V to 5.5 V; $I_O = 0$ A				
	pin \overline{MR}		-	-	450	μ A
	pin CP		-	-	787.5	μ A
	pin Dn		-	-	67.5	μ A
$T_{amb} = -40$ °C to $+125$ °C						
V_{IH}	HIGH-state input voltage	$V_{CC} = 4.5$ V to 5.5 V	2.0	-	-	V
V_{IL}	LOW-state input voltage	$V_{CC} = 4.5$ V to 5.5 V	-	-	0.8	V
V_{OH}	HIGH-state output voltage	$V_I = V_{IH}$ or V_{IL} ; $V_{CC} = 4.5$ V				
		$I_O = -20$ μ A	4.4	-	-	V
		$I_O = -4.0$ mA	3.7	-	-	V
V_{OL}	LOW-state output voltage	$V_I = V_{IH}$ or V_{IL} ; $V_{CC} = 4.5$ V				
		$I_O = 20$ μ A	-	-	0.1	V
		$I_O = 4.0$ mA	-	-	0.4	V
I_{LI}	input leakage current	$V_I = V_{CC}$ or GND; $V_{CC} = 5.5$ V	-	-	± 1.0	μ A

Table 8: Static characteristics 74HCT273 ...continued

At recommended operating conditions; voltages are referenced to GND (ground = 0 V).

Symbol	Parameter	Conditions	Min	Typ	Max	Unit
I_{OZ}	OFF-state output current	$V_I = V_{IH}$ or V_{IL} ; $V_{CC} = 5.5$ V; $V_O = V_{CC}$ or GND per input pin; other inputs at V_{CC} or GND; $I_O = 0$ A	-	-	± 10	μ A
I_{CC}	quiescent supply current	$V_I = V_{CC}$ or GND; $I_O = 0$ A; $V_{CC} = 5.5$ V	-	-	160	μ A
ΔI_{CC}	additional quiescent supply current	$V_I = V_{CC} - 2.1$ V; other inputs at V_{CC} or GND; $V_{CC} = 4.5$ V to 5.5 V; $I_O = 0$ A				
	pin \overline{MR}		-	-	490	μ A
	pin CP		-	-	857.5	μ A
	pin Dn		-	-	73.5	μ A

11. Dynamic characteristics

Table 9: Dynamic characteristics 74HC273

Voltages are referenced to GND (ground = 0 V); $t_r = t_f = 6$ ns; $C_L = 50$ pF unless otherwise specified; for test circuit see Figure 10.

Symbol	Parameter	Conditions	Min	Typ	Max	Unit
$T_{amb} = 25$ °C						
t_{PHL} , t_{PLH}	propagation delay CP to Qn	see Figure 7				
		$V_{CC} = 2.0$ V	-	41	150	ns
		$V_{CC} = 4.5$ V	-	15	30	ns
		$V_{CC} = 5$ V; $C_L = 15$ pF	-	15	-	ns
		$V_{CC} = 6.0$ V	-	13	26	ns
t_{PHL}	HIGH-to-LOW propagation delay MR to Qn	see Figure 8				
		$V_{CC} = 2.0$ V	-	44	150	ns
		$V_{CC} = 4.5$ V	-	16	30	ns
		$V_{CC} = 5$ V; $C_L = 15$ pF	-	15	-	ns
		$V_{CC} = 6.0$ V	-	14	26	ns
t_{THL} , t_{TLH}	output transition time	see Figure 7				
		$V_{CC} = 2.0$ V	-	19	75	ns
		$V_{CC} = 4.5$ V	-	7	15	ns
		$V_{CC} = 6.0$ V	-	6	13	ns
t_w	pulse width					
	clock HIGH or LOW	see Figure 7				
		$V_{CC} = 2.0$ V	80	14	-	ns
		$V_{CC} = 4.5$ V	16	5	-	ns
		$V_{CC} = 6.0$ V	14	4	-	ns
	master reset LOW	see Figure 8				
		$V_{CC} = 2.0$ V	60	17	-	ns
		$V_{CC} = 4.5$ V	12	6	-	ns
		$V_{CC} = 6.0$ V	10	5	-	ns

Table 9: Dynamic characteristics 74HC273 ...continued

Voltages are referenced to GND (ground = 0 V); $t_r = t_f = 6$ ns; $C_L = 50$ pF unless otherwise specified; for test circuit see Figure 10.

Symbol	Parameter	Conditions	Min	Typ	Max	Unit	
t_{rec}	recovery time \overline{MR} to CP	see Figure 8					
		$V_{CC} = 2.0$ V	+50	-6	-	ns	
		$V_{CC} = 4.5$ V	+10	-2	-	ns	
		$V_{CC} = 6.0$ V	+9	-2	-	ns	
t_{su}	set-up time Dn to CP	see Figure 9					
		$V_{CC} = 2.0$ V	60	11	-	ns	
		$V_{CC} = 4.5$ V	12	4	-	ns	
		$V_{CC} = 6.0$ V	10	3	-	ns	
t_h	hold time Dn to CP	see Figure 9					
		$V_{CC} = 2.0$ V	+3	-6	-	ns	
		$V_{CC} = 4.5$ V	+3	-2	-	ns	
		$V_{CC} = 6.0$ V	+3	-2	-	ns	
f_{max}	maximum input clock frequency	see Figure 7					
		$V_{CC} = 2.0$ V	6.0	20.6	-	MHz	
		$V_{CC} = 4.5$ V	30	103	-	MHz	
		$V_{CC} = 5$ V; $C_L = 15$ pF	-	66	-	MHz	
		$V_{CC} = 6.0$ V	35	122	-	MHz	
C_{PD}	power dissipation capacitance	per flip-flop; $V_I = GND$ to V_{CC}	(1) -	20	-	pF	
$T_{amb} = -40$ °C to $+85$ °C							
t_{PHL} , t_{PLH}	propagation delay CP to Qn	see Figure 7					
		$V_{CC} = 2.0$ V	-	-	185	ns	
		$V_{CC} = 4.5$ V	-	-	37	ns	
		$V_{CC} = 6.0$ V	-	-	31	ns	
t_{PHL}	HIGH-to-LOW propagation delay \overline{MR} to Qn	see Figure 8					
		$V_{CC} = 2.0$ V	-	-	185	ns	
		$V_{CC} = 4.5$ V	-	-	37	ns	
		$V_{CC} = 6.0$ V	-	-	31	ns	
t_{THL} , t_{TLH}	output transition time	see Figure 7					
		$V_{CC} = 2.0$ V	-	-	95	ns	
		$V_{CC} = 4.5$ V	-	-	19	ns	
		$V_{CC} = 6.0$ V	-	-	15	ns	
t_w	pulse width	clock HIGH or LOW	see Figure 7				
			$V_{CC} = 2.0$ V	100	-	-	ns
			$V_{CC} = 4.5$ V	20	-	-	ns
			$V_{CC} = 6.0$ V	17	-	-	ns
	master reset LOW	see Figure 8					
		$V_{CC} = 2.0$ V	75	-	-	ns	
		$V_{CC} = 4.5$ V	15	-	-	ns	
		$V_{CC} = 6.0$ V	13	-	-	ns	

Table 9: Dynamic characteristics 74HC273 ...continued

Voltages are referenced to GND (ground = 0 V); $t_r = t_f = 6$ ns; $C_L = 50$ pF unless otherwise specified; for test circuit see Figure 10.

Symbol	Parameter	Conditions	Min	Typ	Max	Unit	
t_{rec}	recovery time \overline{MR} to CP	see Figure 8					
		$V_{CC} = 2.0$ V	65	-	-	ns	
		$V_{CC} = 4.5$ V	13	-	-	ns	
		$V_{CC} = 6.0$ V	11	-	-	ns	
t_{su}	set-up time Dn to CP	see Figure 9					
		$V_{CC} = 2.0$ V	75	-	-	ns	
		$V_{CC} = 4.5$ V	15	-	-	ns	
		$V_{CC} = 6.0$ V	13	-	-	ns	
t_h	hold time Dn to CP	see Figure 9					
		$V_{CC} = 2.0$ V	3	-	-	ns	
		$V_{CC} = 4.5$ V	3	-	-	ns	
		$V_{CC} = 6.0$ V	3	-	-	ns	
f_{max}	maximum input clock frequency	see Figure 7					
		$V_{CC} = 2.0$ V	4.8	-	-	MHz	
		$V_{CC} = 4.5$ V	24	-	-	MHz	
		$V_{CC} = 6.0$ V	28	-	-	MHz	
$T_{amb} = -40$ °C to $+125$ °C							
t_{PHL} , t_{PLH}	propagation delay CP to Qn	see Figure 7					
		$V_{CC} = 2.0$ V	-	-	225	ns	
		$V_{CC} = 4.5$ V	-	-	45	ns	
		$V_{CC} = 6.0$ V	-	-	38	ns	
t_{PHL}	HIGH-to-LOW propagation delay \overline{MR} to Qn	see Figure 8					
		$V_{CC} = 2.0$ V	-	-	225	ns	
		$V_{CC} = 4.5$ V	-	-	45	ns	
		$V_{CC} = 6.0$ V	-	-	38	ns	
t_{THL} , t_{TLH}	output transition time	see Figure 7					
		$V_{CC} = 2.0$ V	-	-	110	ns	
		$V_{CC} = 4.5$ V	-	-	22	ns	
		$V_{CC} = 6.0$ V	-	-	19	ns	
t_w	pulse width clock HIGH or LOW	see Figure 7					
		$V_{CC} = 2.0$ V	120	-	-	ns	
		$V_{CC} = 4.5$ V	24	-	-	ns	
		$V_{CC} = 6.0$ V	20	-	-	ns	
	master reset LOW	see Figure 8					
		$V_{CC} = 2.0$ V	90	-	-	ns	
$V_{CC} = 4.5$ V		18	-	-	ns		
		$V_{CC} = 6.0$ V	15	-	-	ns	

Table 9: Dynamic characteristics 74HC273 ...continued

Voltages are referenced to GND (ground = 0 V); $t_r = t_f = 6$ ns; $C_L = 50$ pF unless otherwise specified; for test circuit see Figure 10.

Symbol	Parameter	Conditions	Min	Typ	Max	Unit
t_{rec}	recovery time \overline{MR} to CP	see Figure 8				
		$V_{CC} = 2.0$ V	75	-	-	ns
		$V_{CC} = 4.5$ V	15	-	-	ns
		$V_{CC} = 6.0$ V	13	-	-	ns
t_{su}	set-up time Dn to CP	see Figure 9				
		$V_{CC} = 2.0$ V	90	-	-	ns
		$V_{CC} = 4.5$ V	18	-	-	ns
		$V_{CC} = 6.0$ V	15	-	-	ns
t_h	hold time Dn to CP	see Figure 9				
		$V_{CC} = 2.0$ V	3	-	-	ns
		$V_{CC} = 4.5$ V	3	-	-	ns
		$V_{CC} = 6.0$ V	3	-	-	ns
f_{max}	maximum input clock frequency	see Figure 7				
		$V_{CC} = 2.0$ V	4.0	-	-	MHz
		$V_{CC} = 4.5$ V	20	-	-	MHz
		$V_{CC} = 6.0$ V	24	-	-	MHz

[1] C_{PD} is used to determine the dynamic power dissipation (P_D in μ W).

$$P_D = C_{PD} \times V_{CC}^2 \times f_i \times N + \sum(C_L \times V_{CC}^2 \times f_o) \text{ where:}$$

f_i = input frequency in MHz;

f_o = output frequency in MHz;

C_L = output load capacitance in pF;

V_{CC} = supply voltage in V;

N = number of inputs switching;

$\sum(C_L \times V_{CC}^2 \times f_o)$ = sum of outputs.

Table 10: Dynamic characteristics 74HCT273

Voltages are referenced to GND (ground = 0 V); $t_r = t_f = 6$ ns; $C_L = 50$ pF unless otherwise specified; for test circuit see Figure 10.

Symbol	Parameter	Conditions	Min	Typ	Max	Unit	
$T_{amb} = 25$ °C							
t_{PHL} , t_{PLH}	propagation delay CP to Qn	see Figure 7					
		$V_{CC} = 4.5$ V	-	16	30	ns	
		$V_{CC} = 5$ V; $C_L = 15$ pF	-	15	-	ns	
t_{PHL}	HIGH-to-LOW propagation delay MR to Qn	see Figure 8					
		$V_{CC} = 4.5$ V	-	23	34	ns	
		$V_{CC} = 5$ V; $C_L = 15$ pF	-	20	-	ns	
t_{THL} , t_{TLH}	output transition time	$V_{CC} = 4.5$ V; see Figure 7	-	7	15	ns	
t_W	pulse width						
		clock HIGH or LOW	$V_{CC} = 4.5$ V; see Figure 7	16	9	-	ns
		master reset LOW	$V_{CC} = 4.5$ V; see Figure 8	16	8	-	ns

Table 10: Dynamic characteristics 74HCT273 ...continued

Voltages are referenced to GND (ground = 0 V); $t_r = t_f = 6$ ns; $C_L = 50$ pF unless otherwise specified; for test circuit see Figure 10.

Symbol	Parameter	Conditions	Min	Typ	Max	Unit	
t_{rec}	recovery time \overline{MR} to CP	$V_{CC} = 4.5$ V; see Figure 8	+10	-2	-	ns	
t_{su}	set-up time Dn to CP	$V_{CC} = 4.5$ V; see Figure 9	12	5	-	ns	
t_h	hold time Dn to CP	$V_{CC} = 4.5$ V; see Figure 9	+3	-4	-	ns	
f_{max}	maximum input clock frequency	see Figure 7					
		$V_{CC} = 4.5$ V	30	56	-	MHz	
		$V_{CC} = 5.0$ V; $C_L = 15$ pF	-	36	-	MHz	
C_{PD}	power dissipation capacitance	per flip-flop; $V_I = GND$ to $(V_{CC} - 1.5$ V) [1]	-	23	-	pF	
$T_{amb} = -40$ °C to $+85$ °C							
t_{PHL} , t_{PLH}	propagation delay CP to Qn	$V_{CC} = 4.5$ V; see Figure 7	-	-	38	ns	
t_{PHL}	HIGH-to-LOW propagation delay \overline{MR} to Qn	$V_{CC} = 4.5$ V; see Figure 8	-	-	43	ns	
t_{THL} , t_{TLH}	output transition time	$V_{CC} = 4.5$ V; see Figure 7	-	-	19	ns	
t_W	pulse width	clock HIGH or LOW	$V_{CC} = 4.5$ V; see Figure 7	20	-	-	ns
		master reset LOW	$V_{CC} = 4.5$ V; see Figure 8	20	-	-	ns
t_{rec}	recovery time \overline{MR} to CP	$V_{CC} = 4.5$ V; see Figure 8	13	-	-	ns	
t_{su}	set-up time Dn to CP	$V_{CC} = 4.5$ V; see Figure 9	15	-	-	ns	
t_h	hold time Dn to CP	$V_{CC} = 4.5$ V; see Figure 9	3	-	-	ns	
f_{max}	maximum input clock frequency	$V_{CC} = 4.5$ V; see Figure 7	24	-	-	MHz	
$T_{amb} = -40$ °C to $+125$ °C							
t_{PHL} , t_{PLH}	propagation delay CP to Qn	$V_{CC} = 4.5$ V; see Figure 7	-	-	45	ns	
t_{PHL}	HIGH-to-LOW propagation delay \overline{MR} to Qn	$V_{CC} = 4.5$ V; see Figure 8	-	-	51	ns	
t_{THL} , t_{TLH}	output transition time	$V_{CC} = 4.5$ V; see Figure 7	-	-	22	ns	
t_W	pulse width	clock HIGH or LOW	$V_{CC} = 4.5$ V; see Figure 7	24	-	-	ns
		master reset LOW	$V_{CC} = 4.5$ V; see Figure 8	24	-	-	ns
t_{rec}	recovery time \overline{MR} to CP	$V_{CC} = 4.5$ V; see Figure 8	15	-	-	ns	
t_{su}	set-up time Dn to CP	$V_{CC} = 4.5$ V; see Figure 9	18	-	-	ns	
t_h	hold time Dn to CP	$V_{CC} = 4.5$ V; see Figure 9	3	-	-	ns	
f_{max}	maximum input clock frequency	$V_{CC} = 4.5$ V; see Figure 7	20	-	-	MHz	

[1] C_{PD} is used to determine the dynamic power dissipation (P_D in μ W).

$P_D = C_{PD} \times V_{CC}^2 \times f_i \times N + \sum(C_L \times V_{CC}^2 \times f_o)$ where:

f_i = input frequency in MHz;

f_o = output frequency in MHz;

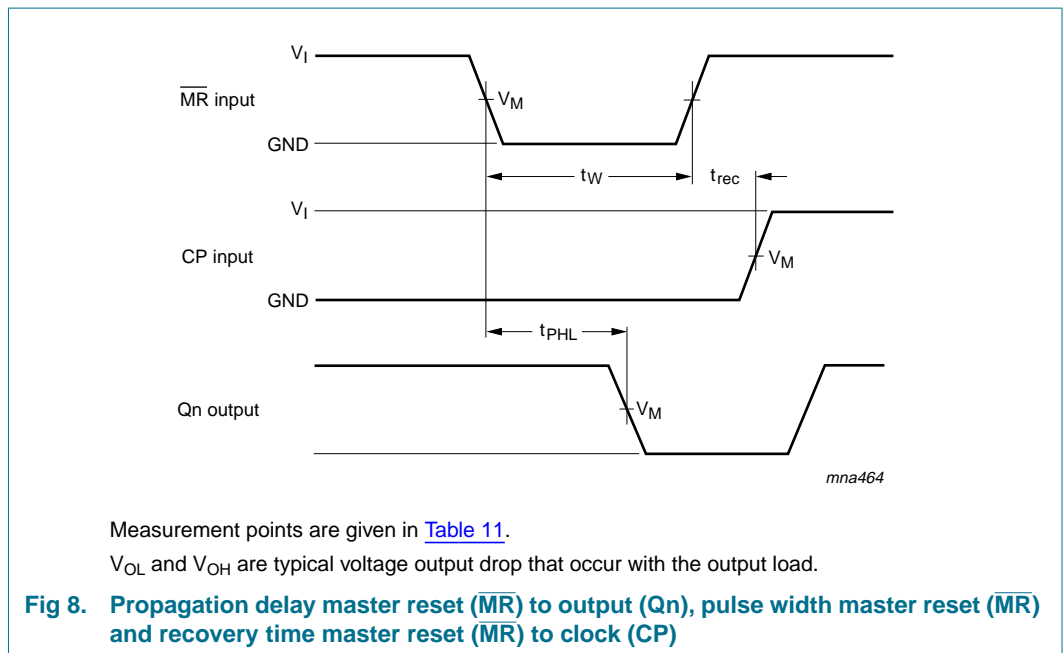
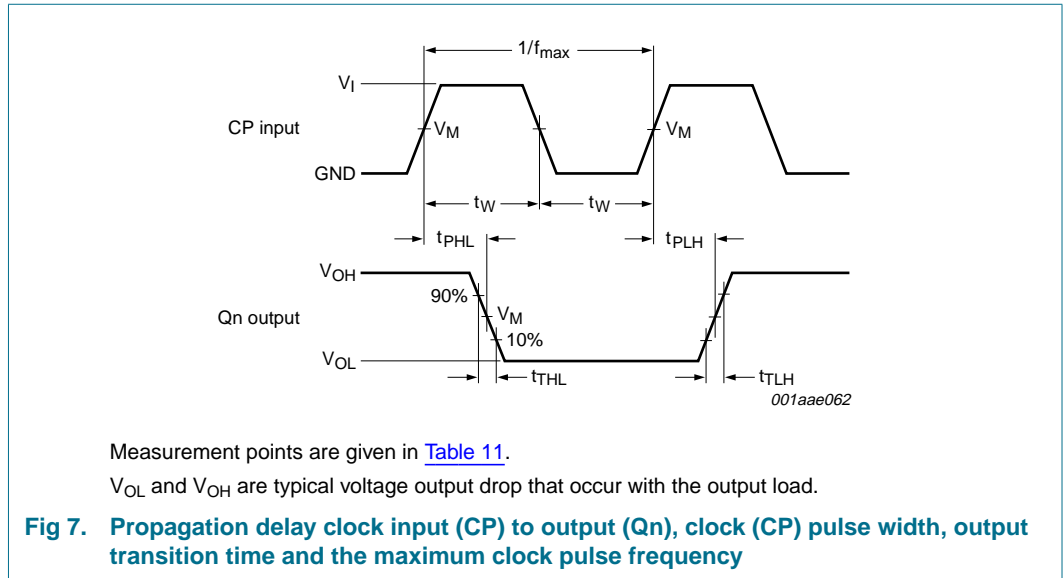
C_L = output load capacitance in pF;

V_{CC} = supply voltage in V;

N = number of inputs switching;

$$\Sigma(C_L \times V_{CC}^2 \times f_o) = \text{sum of outputs.}$$

12. Waveforms



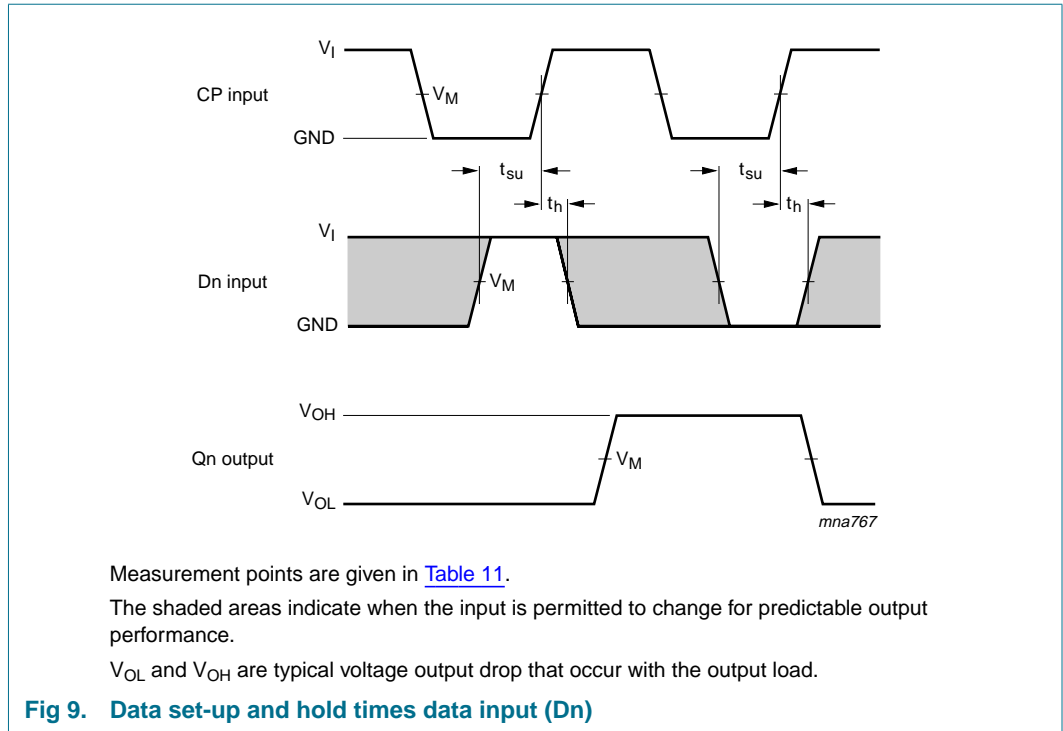


Table 11: Measurement points

Type	Input	Output
	V_M	V_M
74HC273	$0.5V_{CC}$	$0.5V_{CC}$
74HCT273	1.3 V	1.3 V

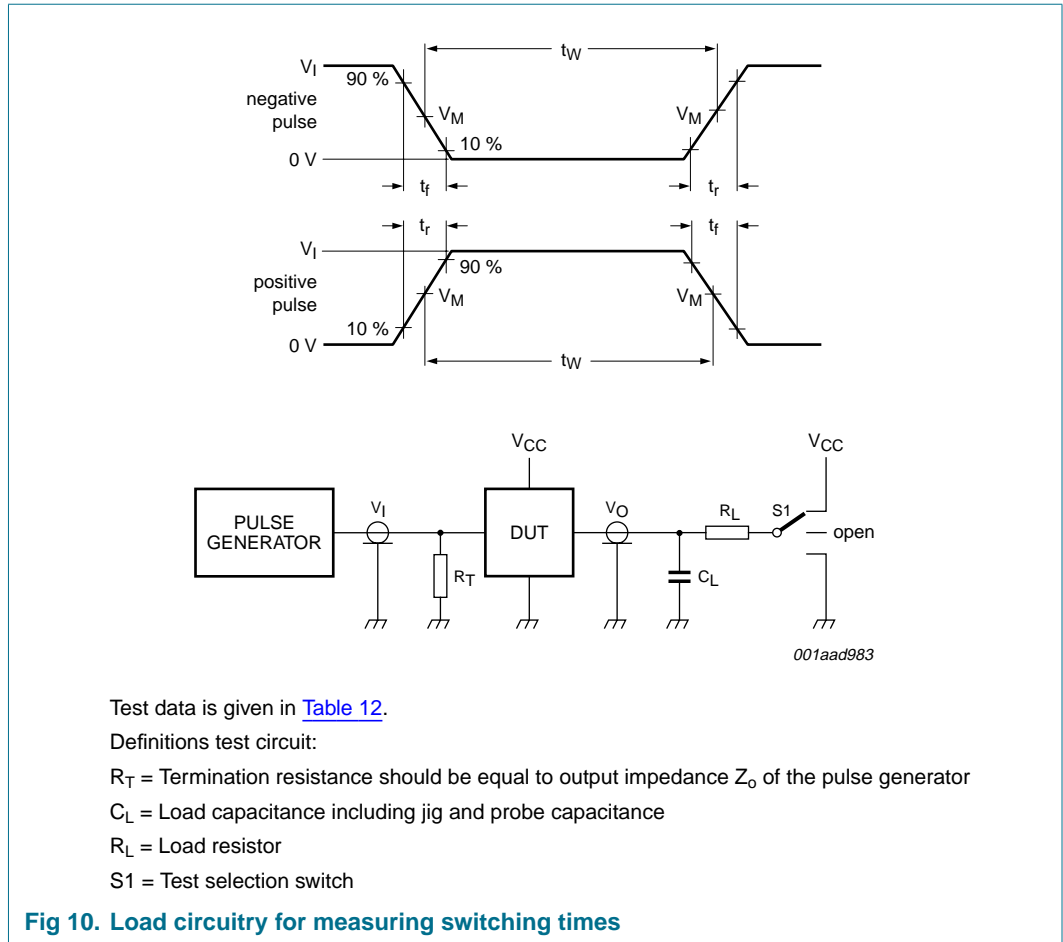


Table 12: Test data

Type	Input		Load		S1 position		
	V_I	t_r, t_f	C_L	R_L	t_{PHL}, t_{PLH}	t_{PZH}, t_{PHZ}	t_{PZL}, t_{PLZ}
74HC273	V_{CC}	6 ns	15 pF, 50 pF	1 k Ω	open	GND	V_{CC}
74HCT273	3 V	6 ns	15 pF, 50 pF	1 k Ω	open	GND	V_{CC}

13. Package outline

DIP20: plastic dual in-line package; 20 leads (300 mil)

SOT146-1

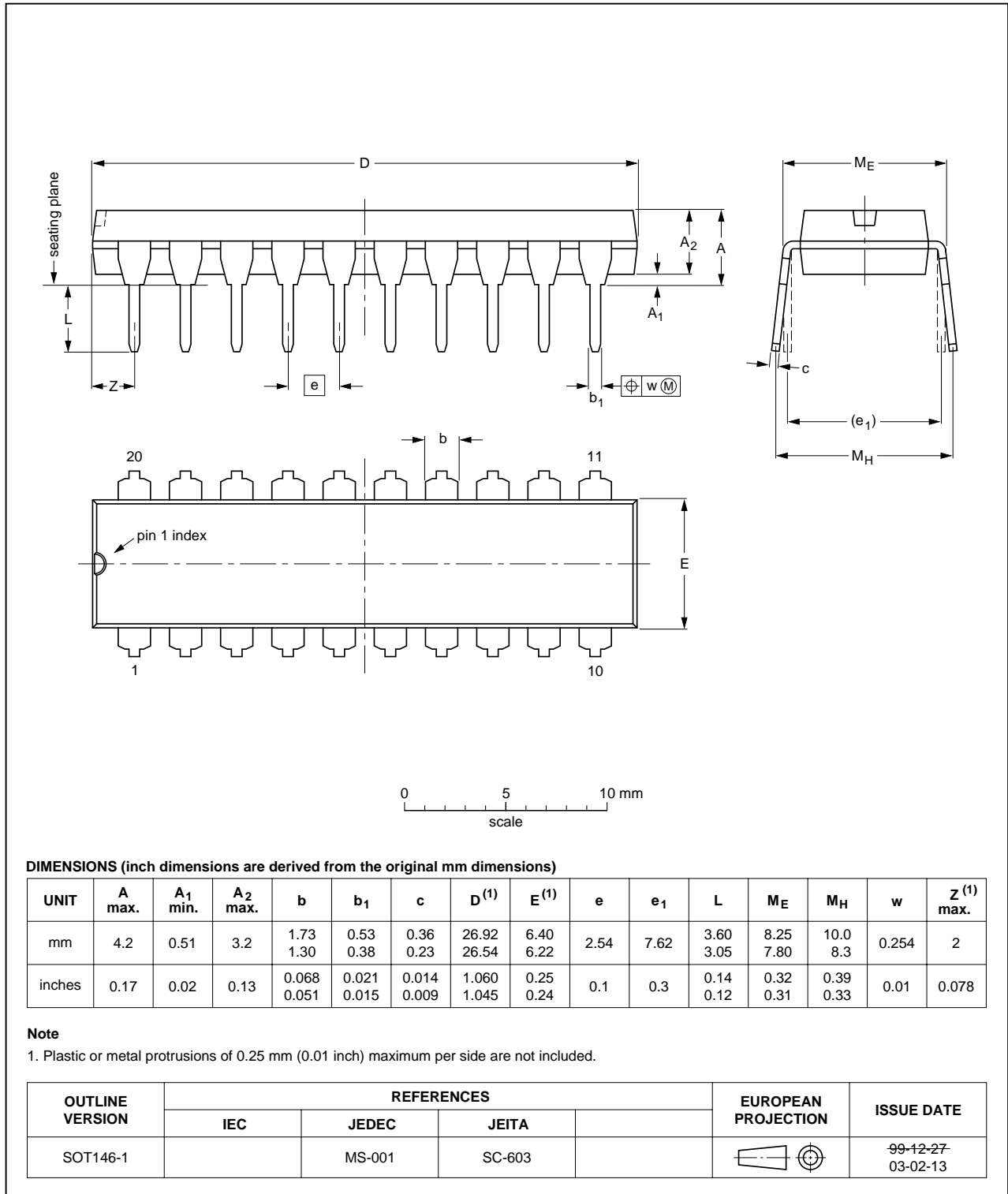


Fig 11. Package outline SOT146-1 (DIP20)

SO20: plastic small outline package; 20 leads; body width 7.5 mm

SOT163-1

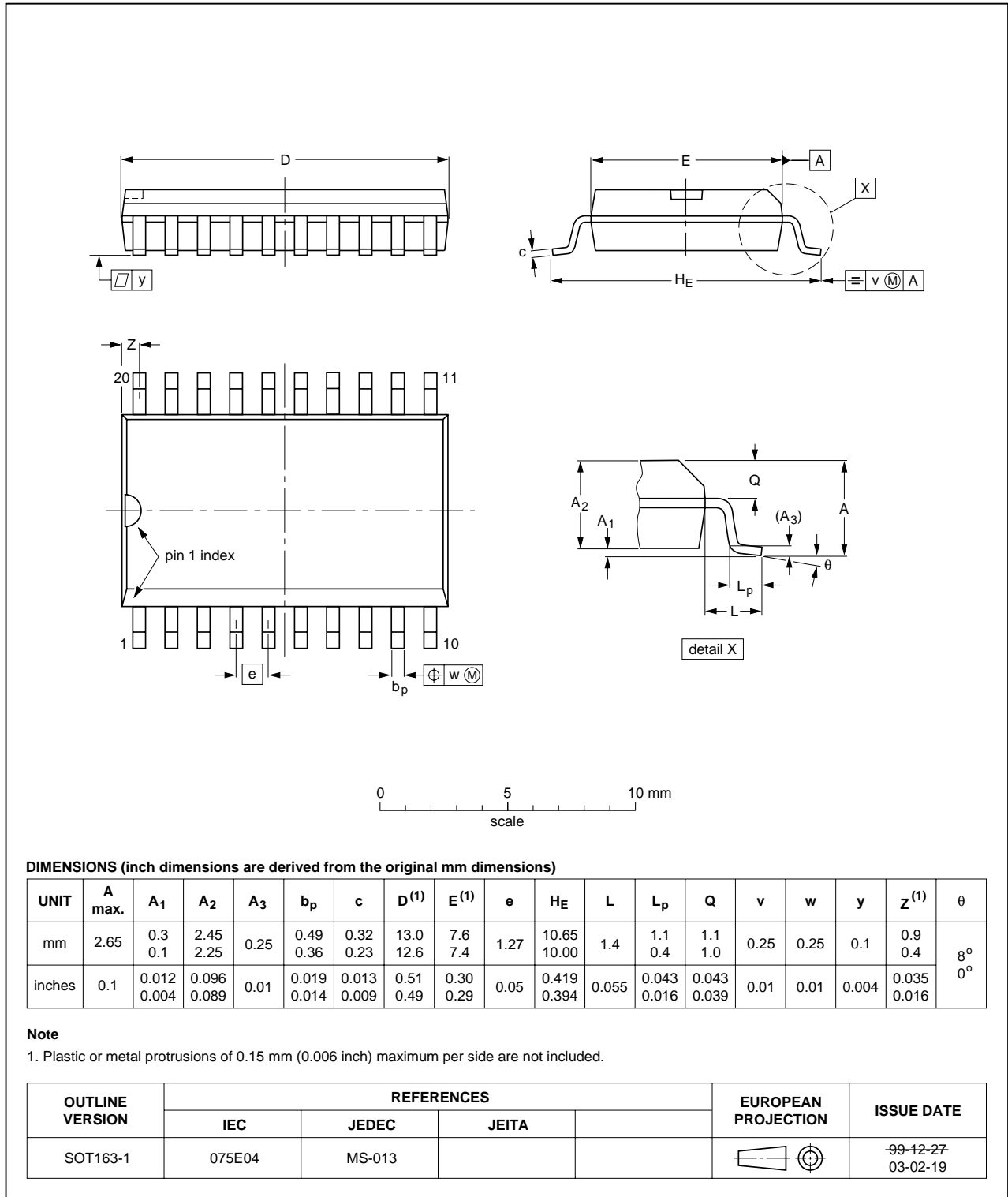


Fig 12. Package outline SOT163-1 (SO20)

SSOP20: plastic shrink small outline package; 20 leads; body width 5.3 mm

SOT339-1

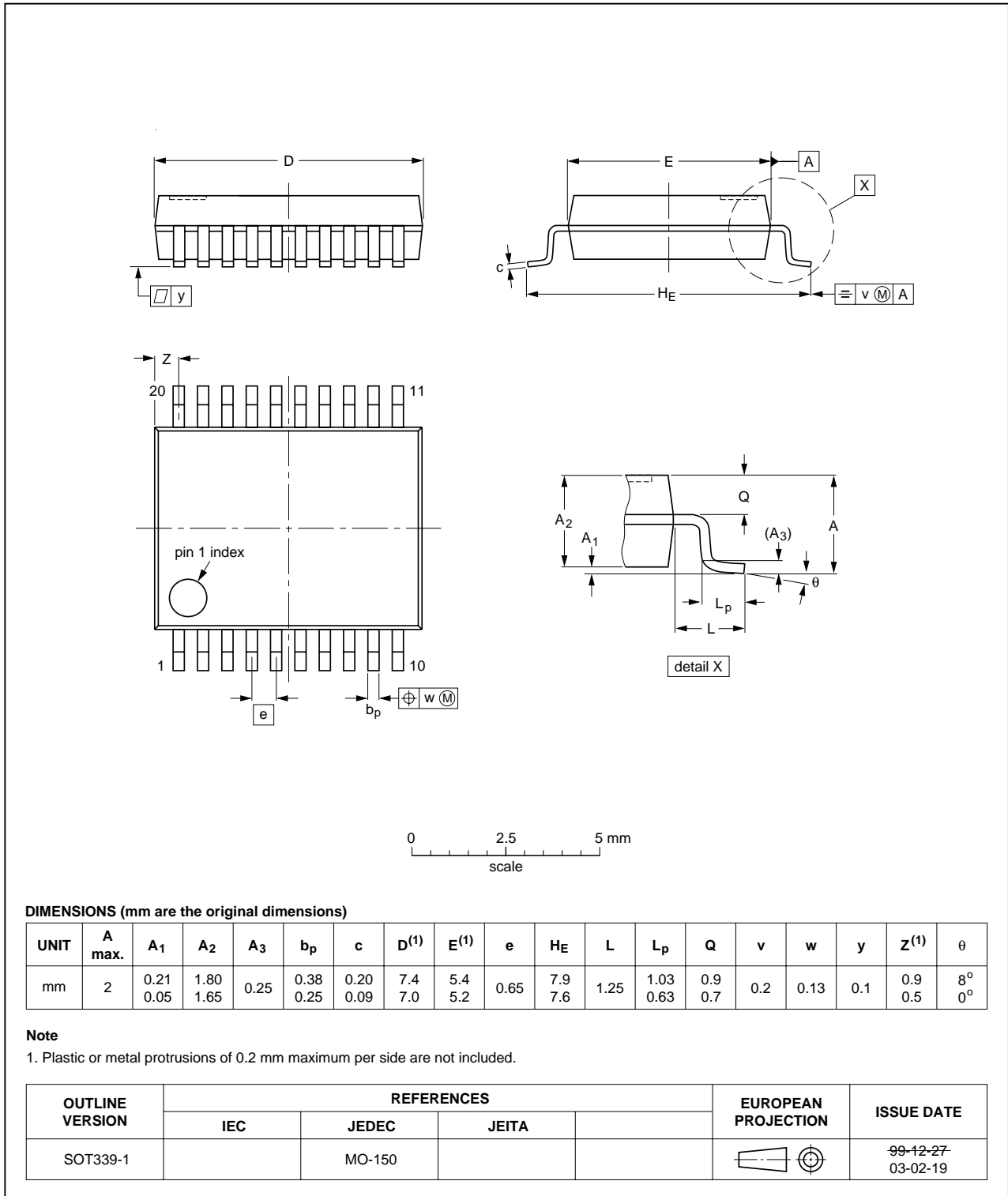


Fig 13. Package outline SOT339-1 (SSOP20)

TSSOP20: plastic thin shrink small outline package; 20 leads; body width 4.4 mm

SOT360-1

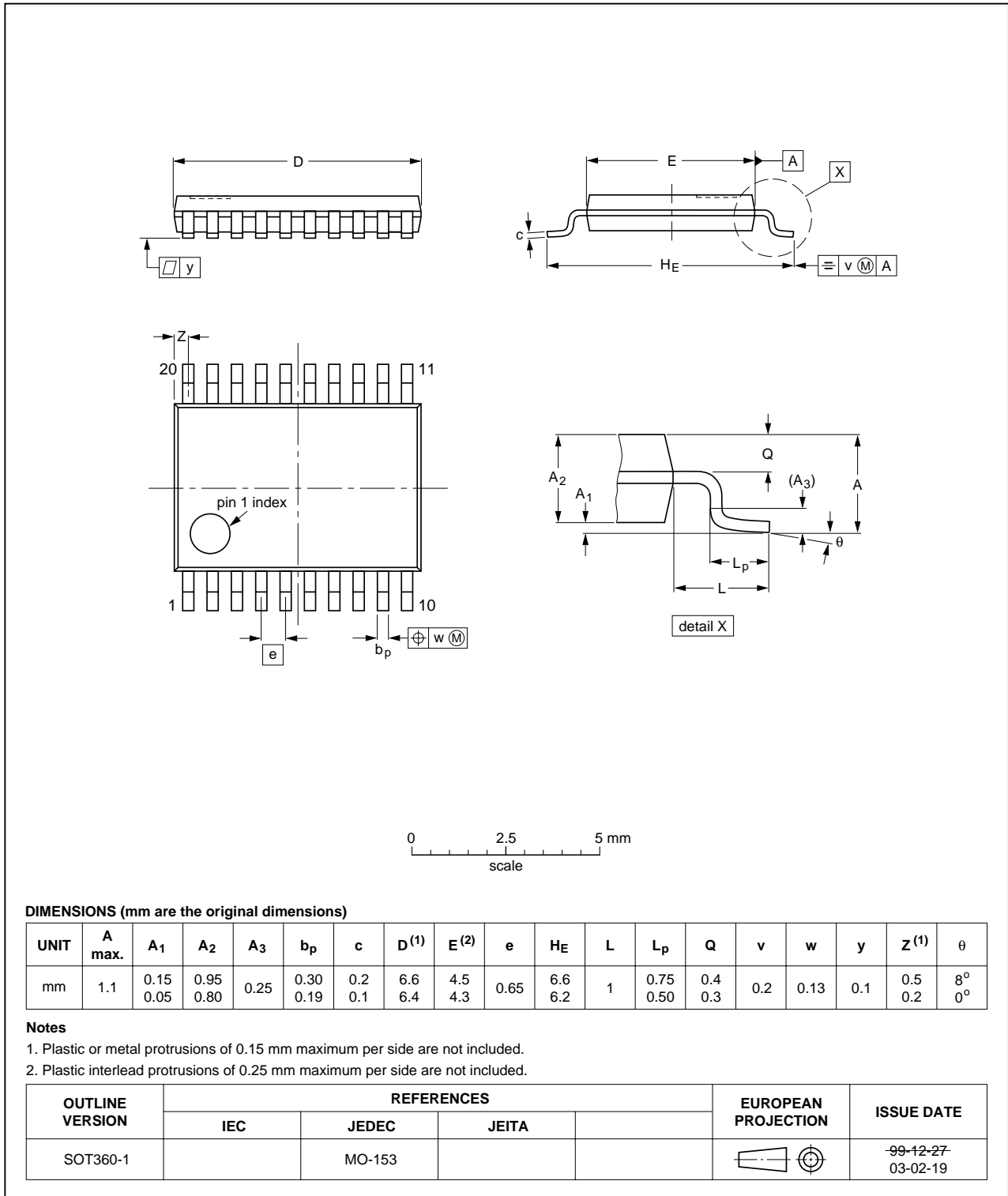


Fig 14. Package outline SOT360-1 (TSSOP20)

DHVQFN20: plastic dual in-line compatible thermal enhanced very thin quad flat package; no leads; 20 terminals; body 2.5 x 4.5 x 0.85 mm

SOT764-1

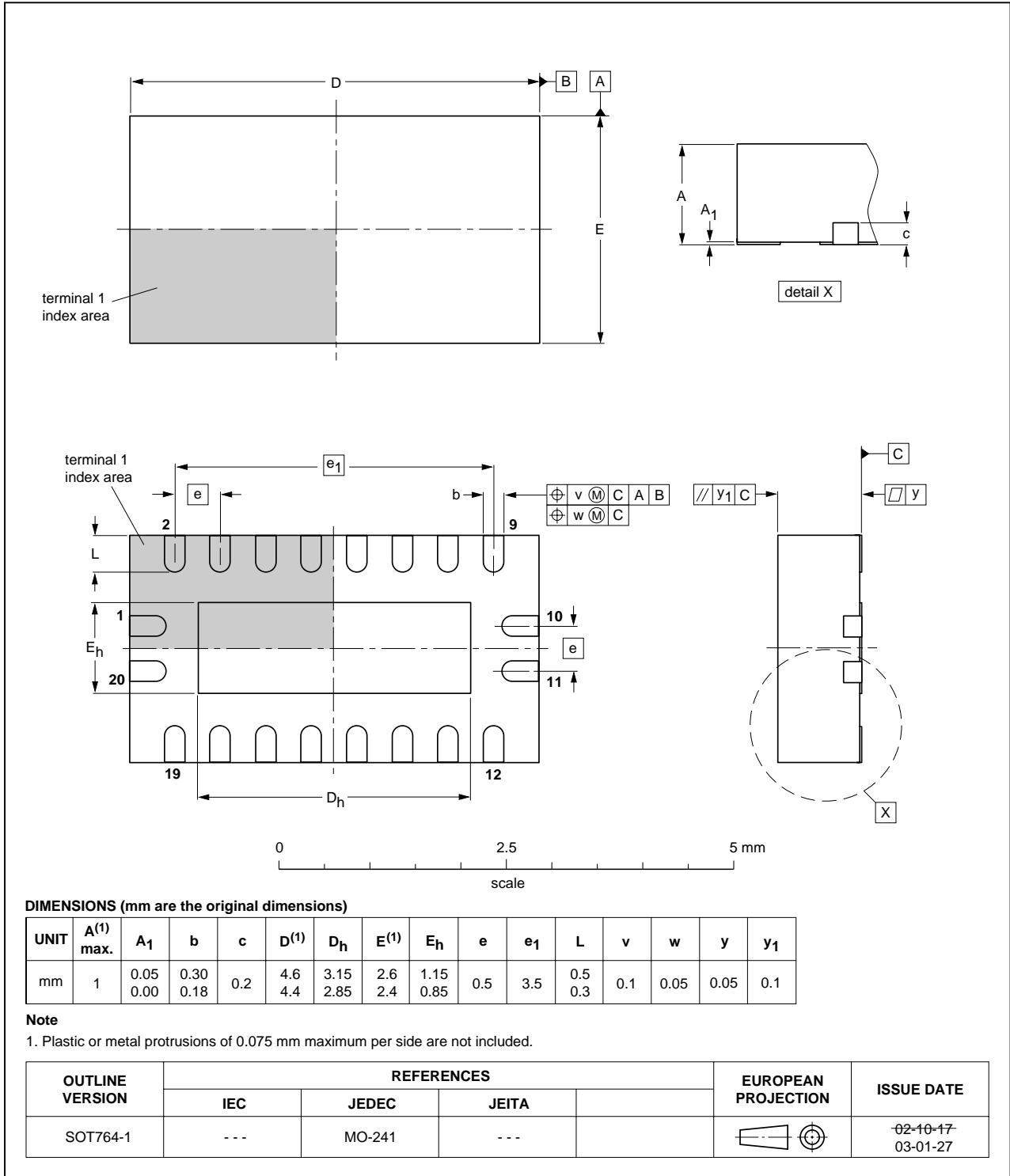


Fig 15. Package outline SOT764-1 (DHVQFN20)

14. Abbreviations

Table 13: Abbreviations

Acronym	Description
CMOS	Complementary Metal Oxide Semiconductor
DUT	Device Under Test
ESD	ElectroStatic Discharge
HBM	Human Body Model
LSTTL	Low-power Schottky Transistor-Transistor Logic
MM	Machine Model
MOS	Metal Oxide Semiconductor

15. Revision history

Table 14: Revision history

Document ID	Release date	Data sheet status	Change notice	Doc. number	Supersedes
74HC_HCT273_3	20060124	Product data sheet	-	-	74HC_HCT273_CNV_2
Modifications:					<ul style="list-style-type: none"> The format of this data sheet has been redesigned to comply with the new presentation and information standard of Philips Semiconductors. Section 4 "Ordering information", Section 6 "Pinning information" and Section 13 "Package outline": Added DHVQFN package information Section 10 "Static characteristics": Added from the family specification
74HC_HCT273_CNV_2	19970827	Product specification	-	-	-

16. Data sheet status

Level	Data sheet status ^[1]	Product status ^{[2] [3]}	Definition
I	Objective data	Development	This data sheet contains data from the objective specification for product development. Philips Semiconductors reserves the right to change the specification in any manner without notice.
II	Preliminary data	Qualification	This data sheet contains data from the preliminary specification. Supplementary data will be published at a later date. Philips Semiconductors reserves the right to change the specification without notice, in order to improve the design and supply the best possible product.
III	Product data	Production	This data sheet contains data from the product specification. Philips Semiconductors reserves the right to make changes at any time in order to improve the design, manufacturing and supply. Relevant changes will be communicated via a Customer Product/Process Change Notification (CPCN).

[1] Please consult the most recently issued data sheet before initiating or completing a design.

[2] The product status of the device(s) described in this data sheet may have changed since this data sheet was published. The latest information is available on the Internet at URL <http://www.semiconductors.philips.com>.

[3] For data sheets describing multiple type numbers, the highest-level product status determines the data sheet status.

17. Definitions

Short-form specification — The data in a short-form specification is extracted from a full data sheet with the same type number and title. For detailed information see the relevant data sheet or data handbook.

Limiting values definition — Limiting values given are in accordance with the Absolute Maximum Rating System (IEC 60134). Stress above one or more of the limiting values may cause permanent damage to the device. These are stress ratings only and operation of the device at these or at any other conditions above those given in the Characteristics sections of the specification is not implied. Exposure to limiting values for extended periods may affect device reliability.

Application information — Applications that are described herein for any of these products are for illustrative purposes only. Philips Semiconductors makes no representation or warranty that such applications will be suitable for the specified use without further testing or modification.

18. Disclaimers

Life support — These products are not designed for use in life support appliances, devices, or systems where malfunction of these products can reasonably be expected to result in personal injury. Philips Semiconductors

20. Contact information

For additional information, please visit: <http://www.semiconductors.philips.com>

For sales office addresses, send an email to: sales.addresses@www.semiconductors.philips.com

customers using or selling these products for use in such applications do so at their own risk and agree to fully indemnify Philips Semiconductors for any damages resulting from such application.

Right to make changes — Philips Semiconductors reserves the right to make changes in the products - including circuits, standard cells, and/or software - described or contained herein in order to improve design and/or performance. When the product is in full production (status 'Production'), relevant changes will be communicated via a Customer Product/Process Change Notification (CPCN). Philips Semiconductors assumes no responsibility or liability for the use of any of these products, conveys no license or title under any patent, copyright, or mask work right to these products, and makes no representations or warranties that these products are free from patent, copyright, or mask work right infringement, unless otherwise specified.

19. Trademarks

Notice — All referenced brands, product names, service names and trademarks are the property of their respective owners.

21. Contents

1	General description	1
2	Features	1
3	Quick reference data	1
4	Ordering information	2
5	Functional diagram	3
6	Pinning information	5
6.1	Pinning	5
6.2	Pin description	5
7	Functional description	6
7.1	Function table	6
8	Limiting values	6
9	Recommended operating conditions	7
10	Static characteristics	7
11	Dynamic characteristics	11
12	Waveforms	16
13	Package outline	19
14	Abbreviations	24
15	Revision history	24
16	Data sheet status	25
17	Definitions	25
18	Disclaimers	25
19	Trademarks	25
20	Contact information	25



© Koninklijke Philips Electronics N.V. 2006

All rights are reserved. Reproduction in whole or in part is prohibited without the prior written consent of the copyright owner. The information presented in this document does not form part of any quotation or contract, is believed to be accurate and reliable and may be changed without notice. No liability will be accepted by the publisher for any consequence of its use. Publication thereof does not convey nor imply any license under patent- or other industrial or intellectual property rights.

Date of release: 24 January 2006
Document number: 74HC_HCT273_3

Published in The Netherlands



Стандарт Электрон Связь

Мы молодая и активно развивающаяся компания в области поставок электронных компонентов. Мы поставляем электронные компоненты отечественного и импортного производства напрямую от производителей и с крупнейших складов мира.

Благодаря сотрудничеству с мировыми поставщиками мы осуществляем комплексные и плановые поставки широчайшего спектра электронных компонентов.

Собственная эффективная логистика и склад в обеспечивает надежную поставку продукции в точно указанные сроки по всей России.

Мы осуществляем техническую поддержку нашим клиентам и предпродажную проверку качества продукции. На все поставляемые продукты мы предоставляем гарантию .

Осуществляем поставки продукции под контролем ВП МО РФ на предприятия военно-промышленного комплекса России , а также работаем в рамках 275 ФЗ с открытием отдельных счетов в уполномоченном банке. Система менеджмента качества компании соответствует требованиям ГОСТ ISO 9001.

Минимальные сроки поставки, гибкие цены, неограниченный ассортимент и индивидуальный подход к клиентам являются основой для выстраивания долгосрочного и эффективного сотрудничества с предприятиями радиоэлектронной промышленности, предприятиями ВПК и научно-исследовательскими институтами России.

С нами вы становитесь еще успешнее!

Наши контакты:

Телефон: +7 812 627 14 35

Электронная почта: sales@st-electron.ru

Адрес: 198099, Санкт-Петербург,
Промышленная ул, дом № 19, литера Н,
помещение 100-Н Офис 331