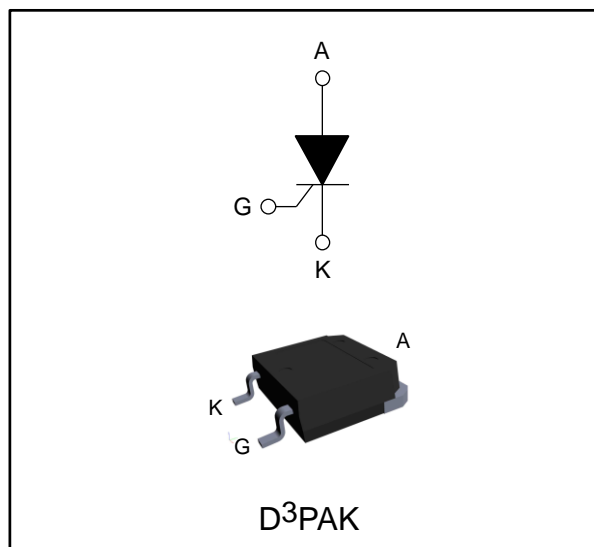


## 80 A high temperature Thyristor (SCR)

Datasheet - production data



### Applications

- AC-DC rectifier controlled bridge
- Motorbike voltage regulator
- Variable speed motor drive
- Battery charging system
- AC solid state relay
- By-pass switch of UPS
- Industrial welding systems
- Motor soft starter

### Description

Available in high power package (D<sup>3</sup>PAK), the device is suitable in applications where power switching ( $I_{T(RMS)} = 80\text{ A}$  at  $T_C = 130\text{ °C}$ ) and power dissipation ( $V_{TM} = 1.55\text{ V}$  at  $160\text{ A}$ ) are critical, such as motorbike voltage regulator, by-pass AC switch, controlled rectifier bridge, solid state relay, battery charger, welding equipment and motor driver applications. The TM8050H-8D3 is available in surface mount D<sup>3</sup>PAK package.

**Table 1: Device summary**

Symbol	Value
$I_{T(RMS)}$	80 A
$V_{DRM}/V_{RRM}$	800 V
$I_{GT}$	50 mA
$T_j$	150 °C

### Features

- High junction temperature:  $T_j = 150\text{ °C}$
- Blocking voltage:  $V_{DRM} = V_{RRM} = 800\text{ V}$
- Nominal current:  $I_{T(RMS)} = 80\text{ A}$
- Gate triggering current:  $I_{GT\text{ max.}} = 50\text{ mA}$
- High noise immunity:  $dV/dt > 1\text{ kV}/\mu\text{s}$
- Surface mounted device D<sup>3</sup>PAK
- Increase of thermal margin due to extended  $T_j$  up to  $150\text{ °C}$
- Low  $I_D$  and  $I_R$  in blocking state
- High compact power SMD design

# 1 Characteristics

**Table 2: Absolute ratings (limiting values)**

Symbol	Parameter		Value	Unit	
$I_{T(RMS)}$	RMS on-state current (180 ° conduction angle)		80	A	
$I_{T(AV)}$	Average on-state current (180 ° conduction angle)				
$I_{TSM}$	Non repetitive surge peak on-state current	$t_p = 8.3 \text{ ms}$	731	A	
		$t_p = 10 \text{ ms}$			
$I^2t$	$I^2t$ value for fusing		2245	$A^2s$	
$V_{RRM} / V_{DRM}$	Maximum repetitive symmetric blocking voltage			800	V
$di/dt$	Critical rate of rise of on-state current $I_G = 2 \times I_{GT}, tr \leq 100 \text{ ns}$	$f = 50 \text{ Hz}$	$T_j = 25 \text{ °C}$	200	$A/\mu s$
$I_{GM}$	Peak gate current	$t_p = 20 \mu s$	$T_j = 150 \text{ °C}$	8	A
$P_{G(AV)}$	Average gate power dissipation		$T_j = 150 \text{ °C}$	1	W
$V_{RGM}$	Maximum peak reverse gate voltage			5	V
$T_{stg}$	Storage junction temperature range			-40 to +150	°C
$T_j$	Maximum operating junction temperature			-40 to +150	°C
$T_L$	Maximum lead temperature during 10 to 30 s duration			245	°C

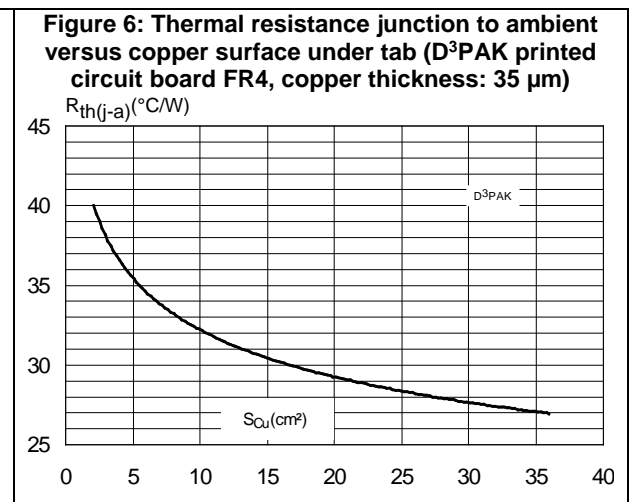
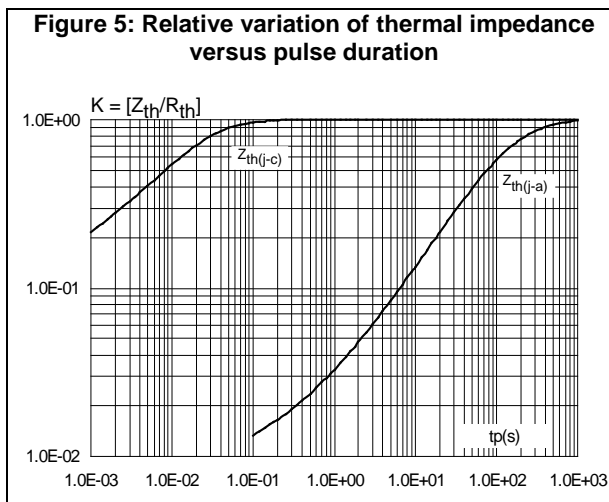
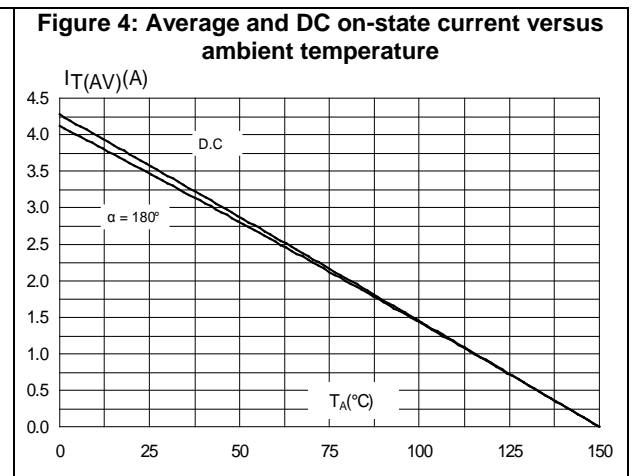
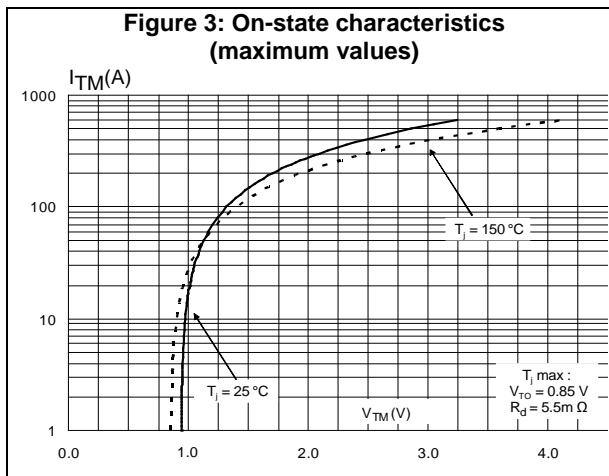
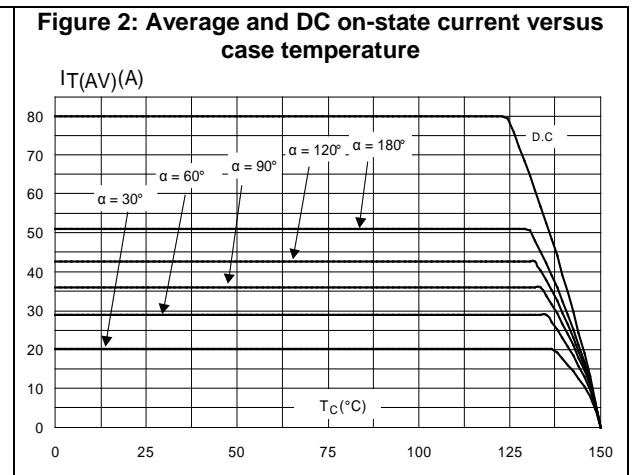
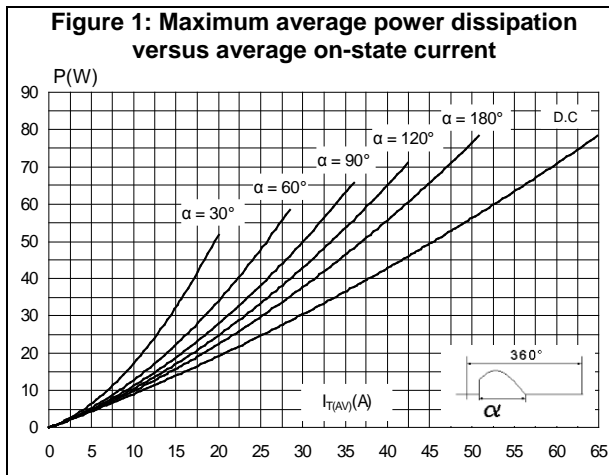
**Table 3: Electrical characteristics ( $T_j = 25 \text{ °C}$  unless otherwise specified)**

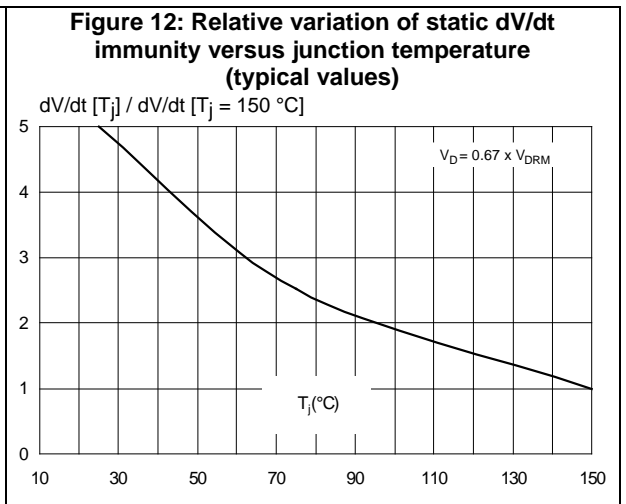
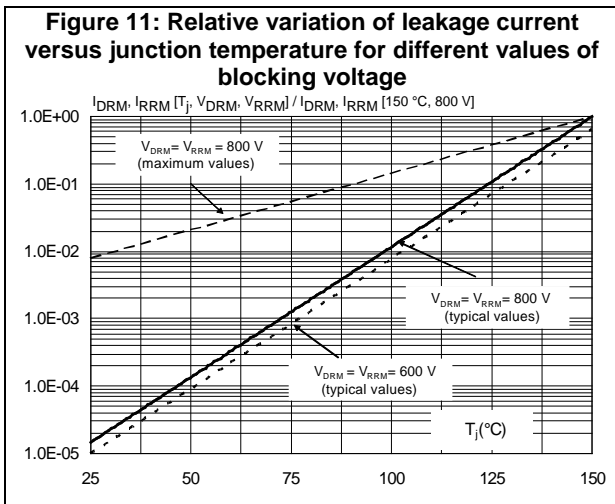
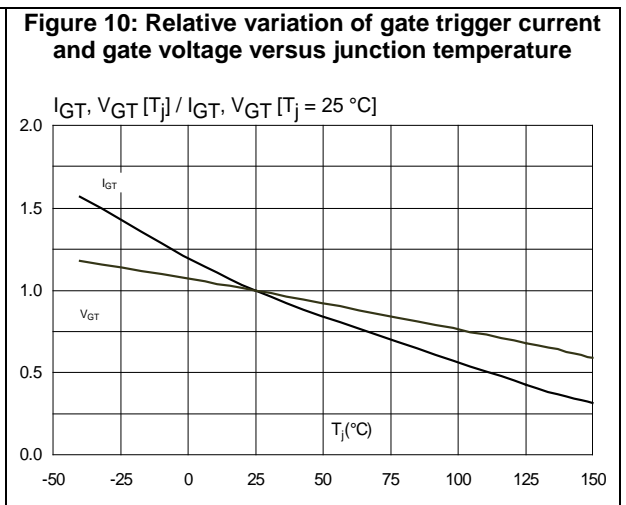
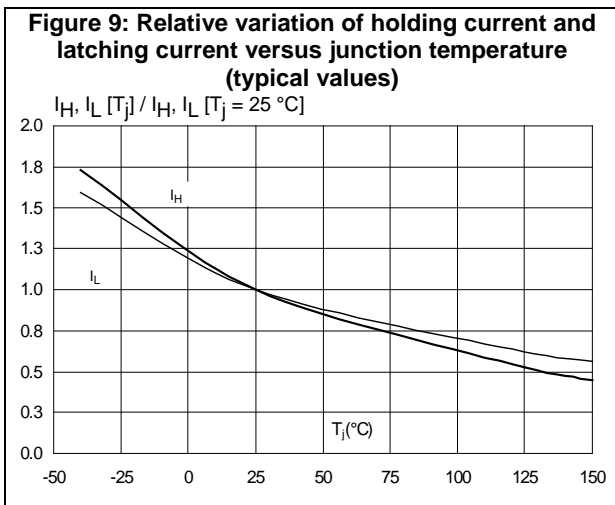
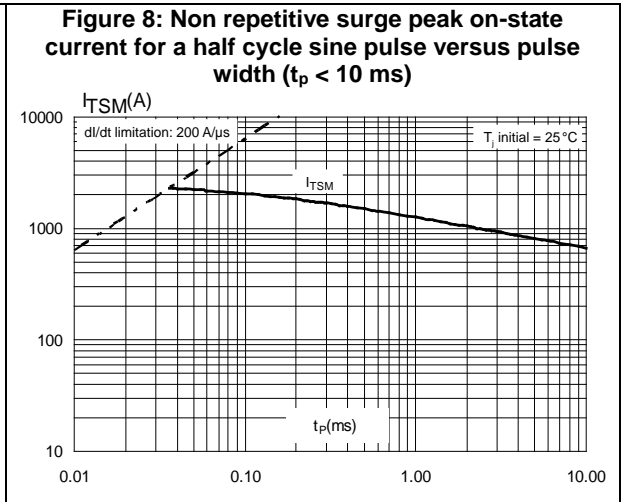
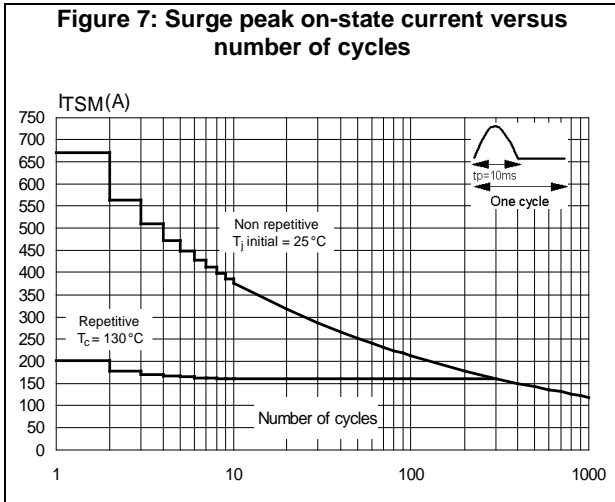
Symbol	Test Conditions		Value	Unit		
$I_{GT}$	$V_D = 12 \text{ V}, R_L = 33 \Omega$		Min.	2.5	mA	
			Max.	50		
$V_{GT}$	$V_D = 12 \text{ V}, R_L = 33 \Omega$		Max.	1.5	V	
$V_{GD}$	$V_D = V_{DRM}, R_L = 3.3 \text{ k}\Omega$	$T_j = 150 \text{ °C}$	Min.	0.2	V	
$I_H$	$I_T = 500 \text{ mA}, \text{ gate open}$		Max.	100	mA	
$I_L$	$I_G = 1.2 \times I_{GT}$		Max.	125	mA	
$t_{gt}$	$I_T = 80 \text{ A}, V_D = V_{DRM}, I_G = 200 \text{ mA}, di_G/dt = 0.2 \text{ A}/\mu s$		Typ.	3	$\mu s$	
$dV/dt$	$V_D = 67 \% V_{DRM}, \text{ gate open}$	$T_j = 150 \text{ °C}$	Min.	1000	$V/\mu s$	
$t_q$	$I_T = 33 \text{ A}, di_T/dt = 10 \text{ A}/\mu s, V_R = 75 \text{ V}, V_D = 400 \text{ V}, dV_D/dt = 20 \text{ V}/\mu s, t_p = 100 \mu s$		$T_j = 150 \text{ °C}$	Max.	150	$\mu s$
$V_{TM}$	$I_{TM} = 160 \text{ A}, t_p = 380 \mu s$		$T_j = 25 \text{ °C}$	Max.	1.55	V
$V_{TO}$	Threshold voltage		$T_j = 150 \text{ °C}$	Max.	0.85	V
$R_D$	Dynamic resistance		$T_j = 150 \text{ °C}$	Max.	5.5	$m\Omega$
$I_{DRM}$	$V_D = V_{DRM} = V_R = V_{RRM} = 800 \text{ V}$		$T_j = 25 \text{ °C}$	Max.	20	$\mu A$
$I_{RRM}$			$T_j = 150 \text{ °C}$	Max.	2.5	mA

Table 4: Thermal parameters

Symbol	Parameter		Value	Unit
$R_{th(j-c)}$	Junction to case (DC, max.)	D <sup>3</sup> PAK	0.25	°C/W
$R_{th(j-a)}$	Junction to ambient (DC, typ., $S_{cu} = 2.1 \text{ cm}^2$ )		40	

# 1.1 Characteristics (curves)





## 2 Package information

In order to meet environmental requirements, ST offers these devices in different grades of ECOPACK® packages, depending on their level of environmental compliance. ECOPACK® specifications, grade definitions and product status are available at: [www.st.com](http://www.st.com). ECOPACK® is an ST trademark.

- Epoxy meets UL 94,V0
- Lead-free package leads, halogen-free molding resin
- Pre-conditioning moisture sensitivity MSL 1

### 2.1 D<sup>3</sup>PAK package information

Figure 13: D<sup>3</sup>PAK package dimension definitions

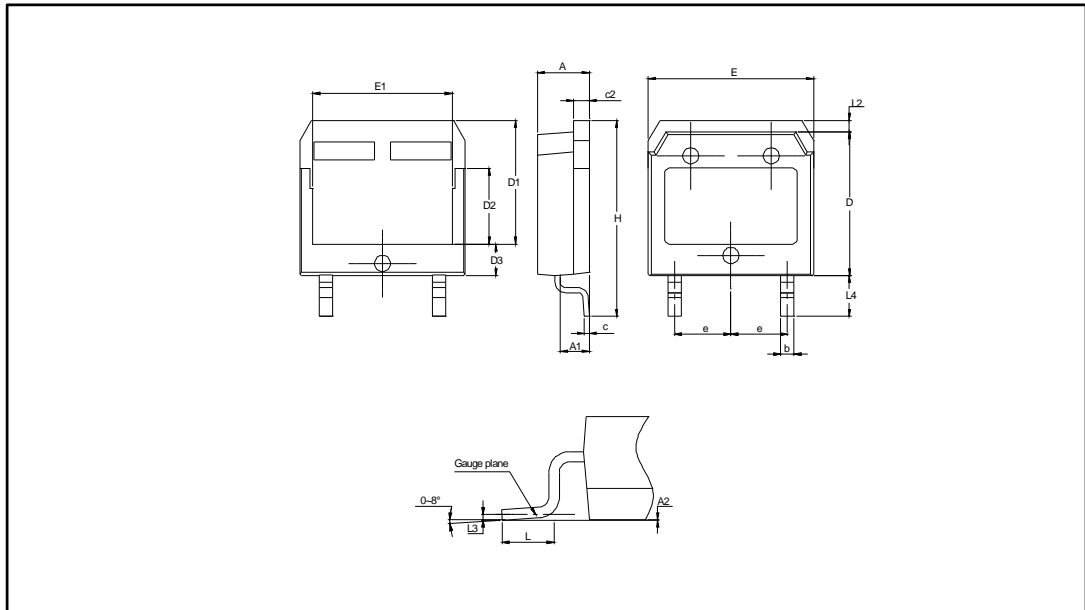


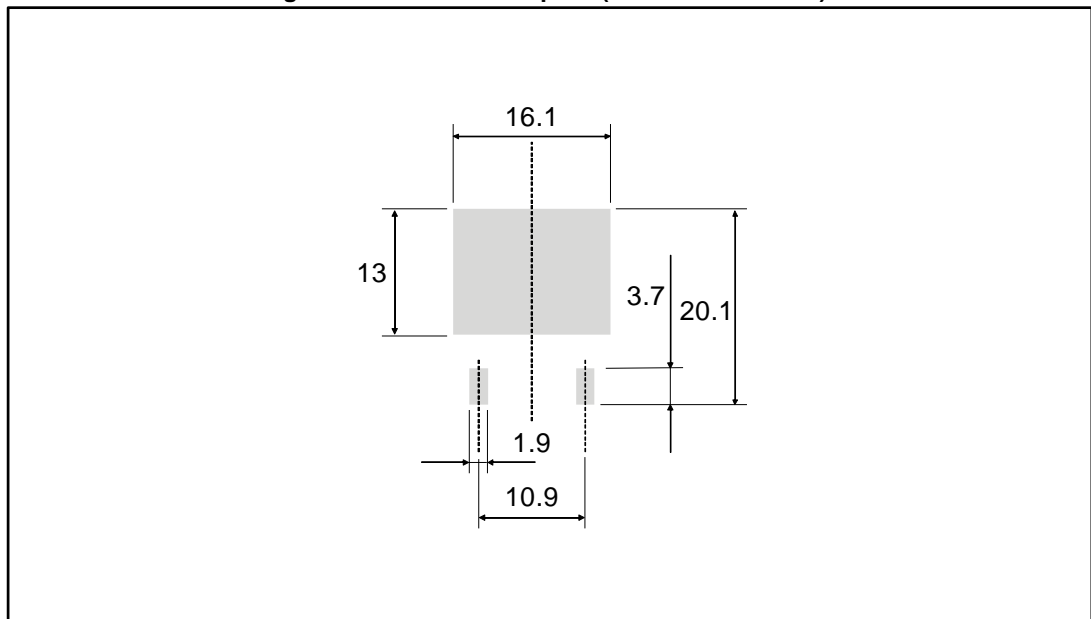
Table 5: D<sup>3</sup>PAK package mechanical data

Ref.	Dimensions					
	Millimeters			Inches <sup>(1)</sup>		
	Min.	Typ.	Max.	Min.	Typ.	Max.
A	4.90		5.10	0.1929		0.2008
A1	2.70		2.90	0.1063		0.1142
A2	0.02		0.25	0.0008		0.0098
b	1.15		1.45	0.0453		0.0571
c	0.40		0.65	0.0157		0.0256
c2	1.45		1.61	0.0571		0.0634
D	13.80		14.00	0.5433		0.5512
D1	11.80		12.10	0.4646		0.4764
D2	7.50		7.80	0.2953		0.3071
D3	2.90		3.20	0.1142		0.1260
E	15.85		16.05	0.6240		0.6319
E1	13.30		13.60	0.5236		0.5354
e		5.45			0.2146	
H	18.70		19.10	0.7362		0.7520
L	1.70		2.00	0.0669		0.0789
L2	1.00		1.15	0.0394		0.0453
L3		0.25			0.0098	
L4	3.80		4.10	0.1496		0.1614

Notes:

(1)Dimension in inches are given for reference only.

Figure 14: Minimum footprint (dimensions in mm)



### 3 Ordering information

Figure 15: Ordering information scheme

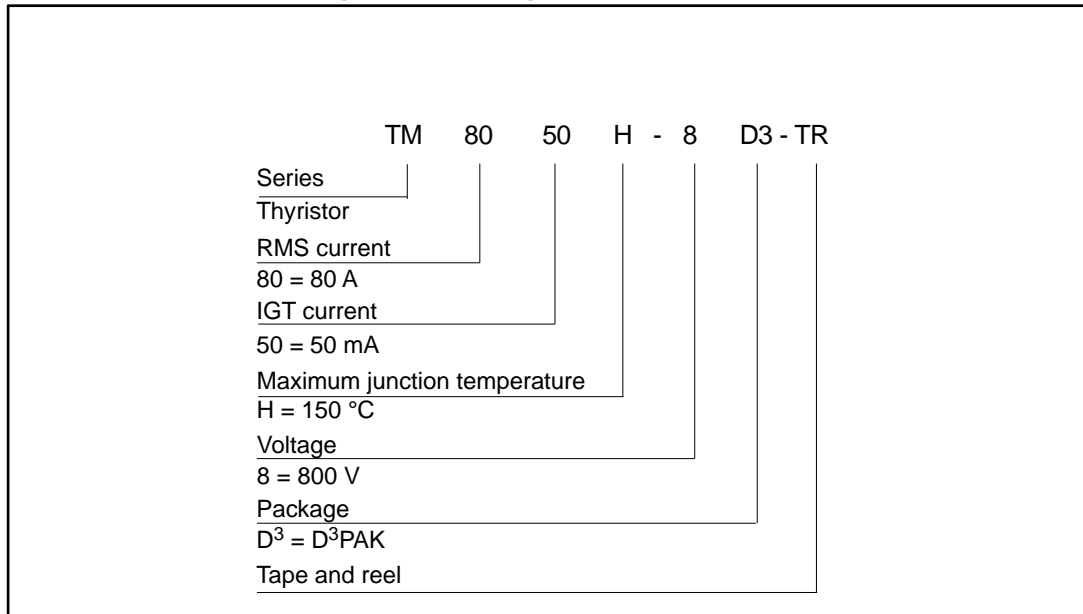


Table 6: Ordering information

Order code	Marking	Package	Weight	Base qty.	Delivery mode
TM8050H-8D3-TR	TM8050H8	D <sup>3</sup> PAK	4.2 g	400	Tape and reel

### 4 Revision history

Table 7: Document revision history

Date	Revision	Changes
11-Feb-2016	1	Initial release.
01-Apr-2016	2	Updated Table 3: "Electrical characteristics (T <sub>j</sub> = 25 °C unless otherwise specified)".
29-Apr-2016	3	Updated <a href="#">Table 4: "Thermal parameters"</a> .



**IMPORTANT NOTICE – PLEASE READ CAREFULLY**

STMicroelectronics NV and its subsidiaries ("ST") reserve the right to make changes, corrections, enhancements, modifications, and improvements to ST products and/or to this document at any time without notice. Purchasers should obtain the latest relevant information on ST products before placing orders. ST products are sold pursuant to ST's terms and conditions of sale in place at the time of order acknowledgement.

Purchasers are solely responsible for the choice, selection, and use of ST products and ST assumes no liability for application assistance or the design of Purchasers' products.

No license, express or implied, to any intellectual property right is granted by ST herein.

Resale of ST products with provisions different from the information set forth herein shall void any warranty granted by ST for such product.

ST and the ST logo are trademarks of ST. All other product or service names are the property of their respective owners.

Information in this document supersedes and replaces information previously supplied in any prior versions of this document.

© 2016 STMicroelectronics – All rights reserved



## Стандарт Электрон Связь

Мы молодая и активно развивающаяся компания в области поставок электронных компонентов. Мы поставляем электронные компоненты отечественного и импортного производства напрямую от производителей и с крупнейших складов мира.

Благодаря сотрудничеству с мировыми поставщиками мы осуществляем комплексные и плановые поставки широчайшего спектра электронных компонентов.

Собственная эффективная логистика и склад в обеспечивает надежную поставку продукции в точно указанные сроки по всей России.

Мы осуществляем техническую поддержку нашим клиентам и предпродажную проверку качества продукции. На все поставляемые продукты мы предоставляем гарантию .

Осуществляем поставки продукции под контролем ВП МО РФ на предприятия военно-промышленного комплекса России , а также работаем в рамках 275 ФЗ с открытием отдельных счетов в уполномоченном банке. Система менеджмента качества компании соответствует требованиям ГОСТ ISO 9001.

Минимальные сроки поставки, гибкие цены, неограниченный ассортимент и индивидуальный подход к клиентам являются основой для выстраивания долгосрочного и эффективного сотрудничества с предприятиями радиоэлектронной промышленности, предприятиями ВПК и научно-исследовательскими институтами России.

С нами вы становитесь еще успешнее!

### Наши контакты:

**Телефон:** +7 812 627 14 35

**Электронная почта:** [sales@st-electron.ru](mailto:sales@st-electron.ru)

**Адрес:** 198099, Санкт-Петербург,  
Промышленная ул, дом № 19, литера Н,  
помещение 100-Н Офис 331