

TPS63060EVM-619

This user's guide describes the characteristics, operation, and use of the TPS63060EVM evaluation module (EVM). The EVM is designed to help the user easily evaluate and test the operation and functionality of the TPS63060. This user's guide includes setup instructions for the hardware, a schematic diagram, test results of the EVM, a bill of materials, and printed-circuit board layout drawings for the evaluation module.

Contents

1	Introduction	1
2	Setup and Results	2
3	Board Layout	7
4	Schematic and Bill of Materials	9

List of Figures

1	Start-Up With Enable, VIN = 2.5 V	3
2	Start-Up With Enable, VIN = 6 V	4
3	Output Ripple VIN = 3 V	5
4	Output Ripple VIN = 5 V	5
5	Output Ripple VIN = 8 V	6
6	Load Step 100 mA to 500 mA, VIN = 8 V	7
7	Assembly Layer	8
8	Top Layer Routing	8
9	Bottom Layer Routing	9
10	Schematic	9

List of Tables

1	Performance Specification Summary	2
2	TPS63060EVM-619 Bill of Materials	10

1 Introduction

The Texas Instruments TPS63060 is a highly efficient, single-inductor, internally compensated, buck-boost converter in a 10-pin, 3-mm × 3-mm SON package. Both fixed and adjustable output voltage units are available.

1.1 Background

The TPS63060EVM-619 uses the TPS63060 adjustable-output voltage version of the integrated circuit (IC) and is set to a 5-V output. The fixed-output version(s) can be evaluated on this EVM with minor modification as stated in section titled, *Fixed Output Operation*. The EVM operates with an input voltage between 2.5 V and 12 V.

1.2 Performance Specification

[Table 1](#) provides a summary of the TPS63060EVM-619 performance specifications. All specifications are given for an ambient temperature of 25°C.

Table 1. Performance Specification Summary

Specification	Test Conditions	Min	Typ	Max	Unit
Input voltage		2.5		12	V
Output voltage	$I_{OUT} = 0 \text{ mA to } 1000 \text{ mA}$	2.5	5	8	V
Output current	$V_{IN} = 10 \text{ V to } 12 \text{ V}$	0		1000	mA
	$V_{IN} = 5 \text{ V to } 10 \text{ V, } V_{OUT} = 5 \text{ V}$	0		2000	mA
	$V_{IN} = 2.5 \text{ V to } 10 \text{ V, } V_{OUT} = 2.5 \text{ V}$	0		2000	mA
Operating frequency			2400		kHz
Efficiency	5 V in at 1000-mA load		93%		
Output ripple	5 V in at 500-mA load		25		mV

1.3 Modifications

The printed-circuit board (PCB) for this EVM is designed to accommodate both the fixed and adjustable versions of this IC. If the fixed version is installed, R1 is replaced with a 0- Ω resistor and R2 is open. Extra positions are available for additional input and output capacitors.

1.3.1 Adjustable-Output IC U1 Operation

U1 is configured for evaluation of the adjustable-output version. This unit is set to 5 V. Resistors R1 and R2 can be used to set the output voltage between 2.5 V and 8 V. See the data sheet for recommended values.

1.3.2 Fixed-Output Operation

U1 can be replaced with the fixed version for evaluation. With the fixed version, R1 needs to be replaced with a 0- Ω resistor; R2 position is open.

2 Setup and Results

This section describes how to properly use the TPS63060EVM-619.

2.1 Input/Output Connector and Header Descriptions

2.1.1 J1 – VIN

Positive input connection from the input supply for U1.

2.1.2 J2 – Sense

Vin Sense and GND Sense, low-current sense lines for sampling the input voltage at the input capacitor.

2.1.3 J3 – GND

Vin GND return connection from the input supply for U1, common with J6.

2.1.4 J4 – VOUT

Output voltage connection.

2.1.5 J5 – Sense

Vout Sense and GND Sense low-current sense lines for sampling the output voltage at the output capacitor.

2.1.6 J6 – GND

Vout GND return connection for the output voltage, common with J3.

2.1.7 J7 – PG GND

Power Good (PG) test point and GND connection.

2.1.8 JP1 – ENABLE

Shorting jumper between the center pin and ON turns on the unit. Installing a shorting jumper between the center pin and OFF turns the unit off.

2.1.9 JP2 –PWR Save

Installing a shorting jumper between the center pin and OFF disables the power-saving mode; the jumper between the center pin and ON enables automatic transition to power-saving mode at light-load currents as described in the data sheet. The center pin can be used to synchronize the unit with an external clock; see the data sheet for additional details.

2.2 Setup

To operate the EVM, connect an input supply with the positive lead to J1 and negative lead to J3; connect a load with the positive lead to J4 and the negative lead to J6; short EN to ON (pins 1 and 2) of JP1 with a shorting jumper.

2.3 Power Up

The soft-start circuit is controlled by a ramp to the current-limit comparator that starts the switch current limit low and increases to maximum value. Output voltage is monitored during this time and must increase for the switch current to increase. The following data was taken with a 13-Ω load under multiple VIN conditions.

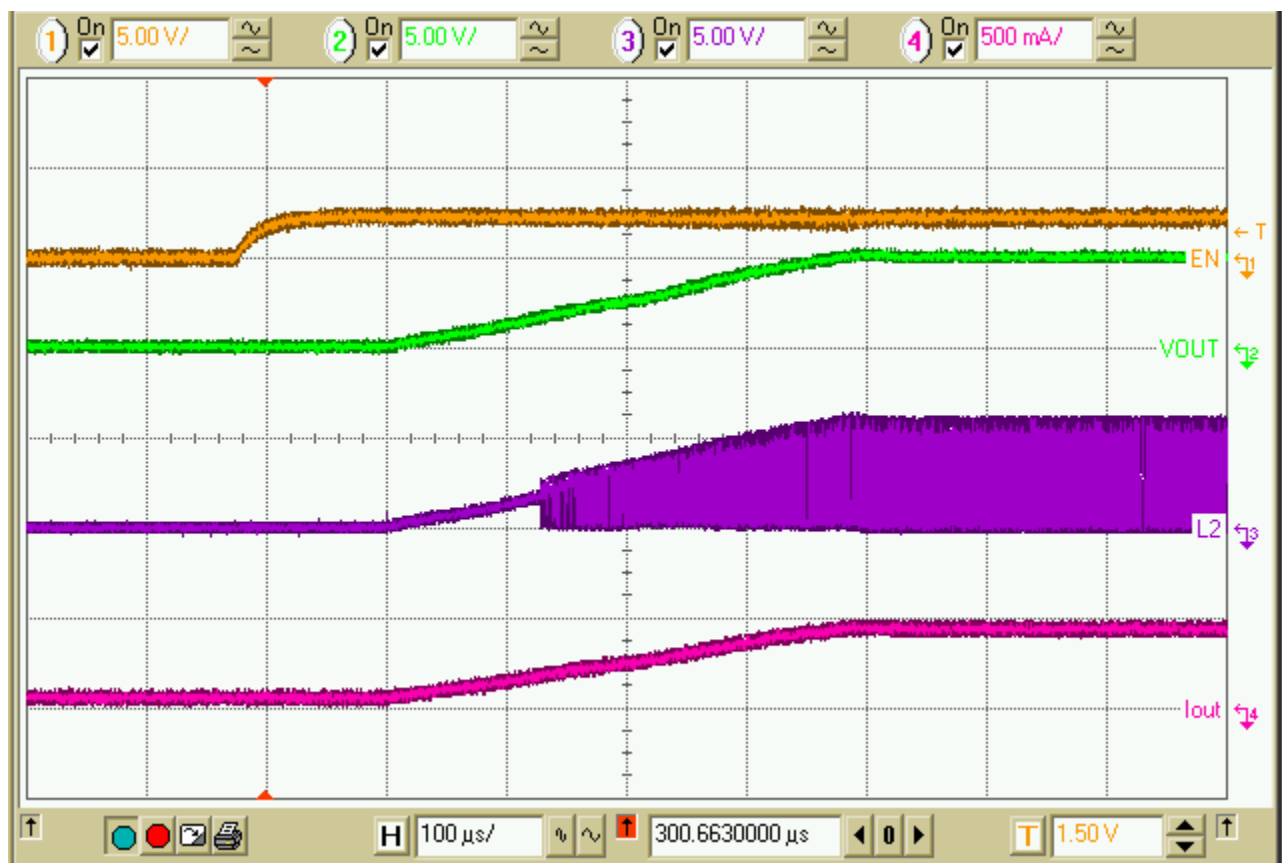


Figure 1. Start-Up With Enable, VIN = 2.5 V

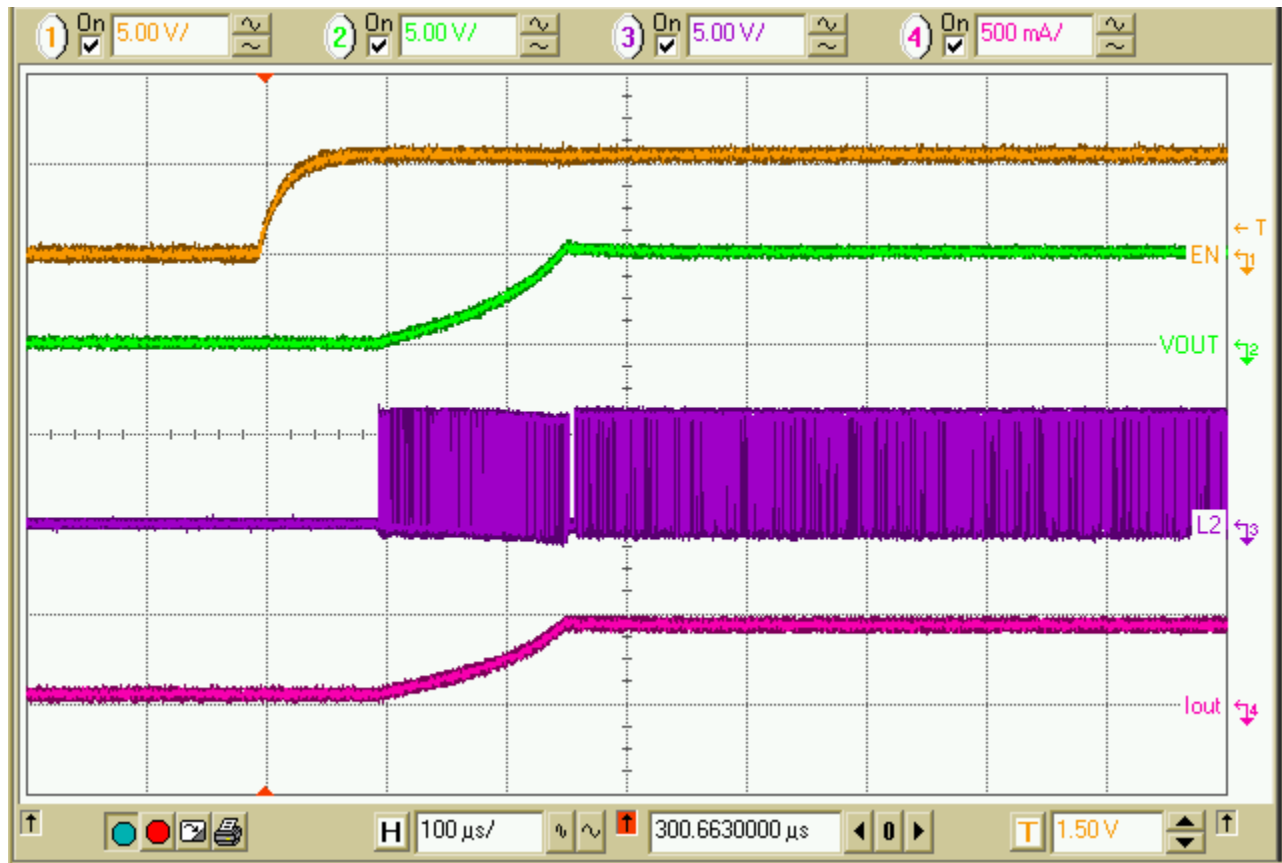


Figure 2. Start-Up With Enable, VIN = 6 V

2.4 Output Ripple

Output ripple occurs at the switching frequency of 2.4 MHz, and with the recommended L and output C, is of low amplitude. The amplitude of the ripple varies, depending on load current and input voltage. Ensure that the oscilloscope probe is connected as close as possible to the output capacitor, with a short ground lead, for accurate measurements. Impedance in trace and probe lead add to output ripple, and ground loop length increases the amplitude of switching spikes. The following dataset was taken with a 250-mA load over multiple input voltages.

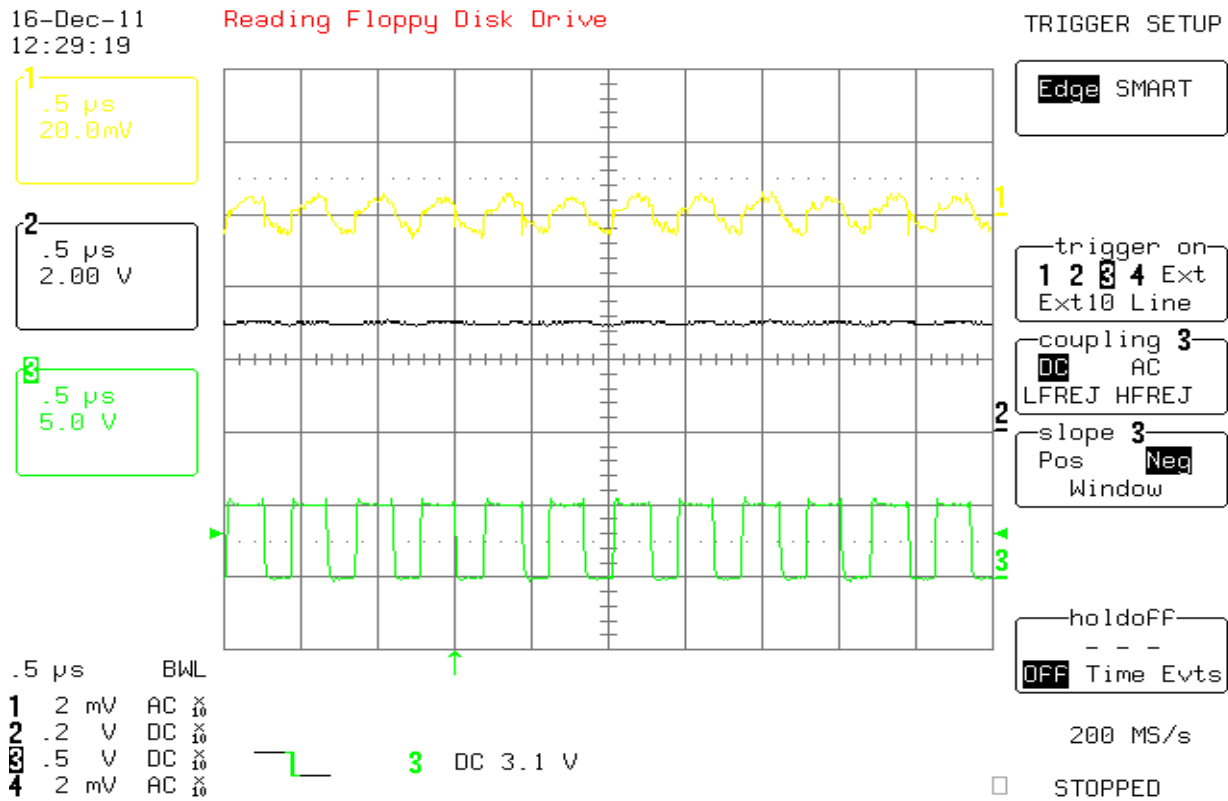


Figure 3. Output Ripple VIN = 3 V

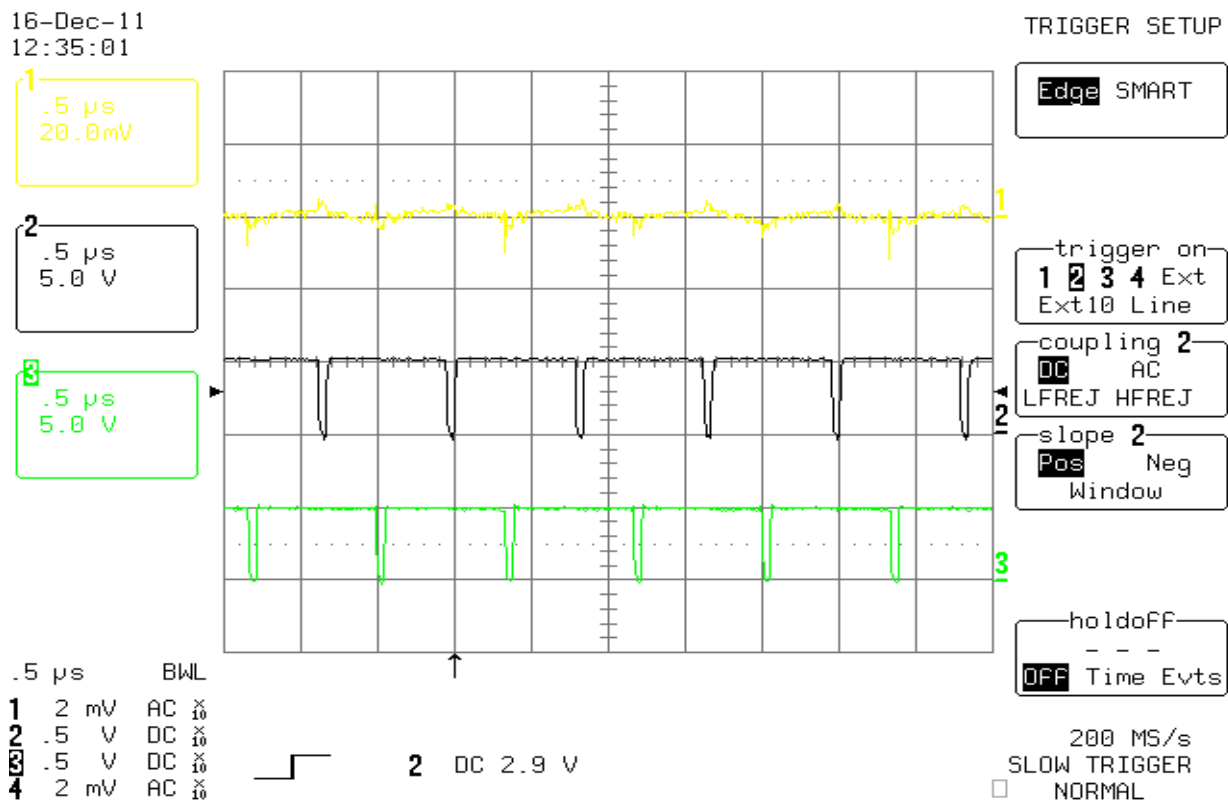


Figure 4. Output Ripple VIN = 5 V

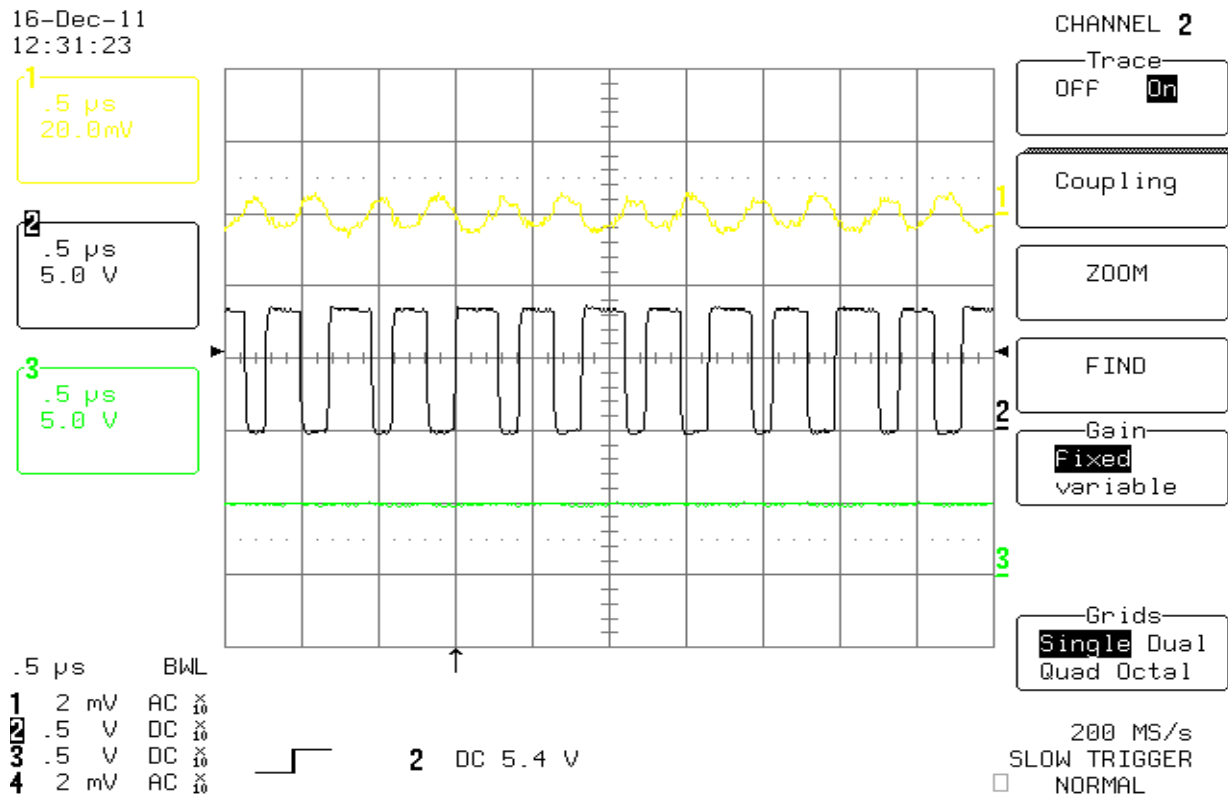


Figure 5. Output Ripple VIN = 8 V

2.5 Power Dissipation

With high efficiency, the power to be dissipated is low. Also, the QFN package with a thermal relief pad is very efficient at removing heat. Care must be taken, however, to not overheat the device.

2.6 Load Transients

Load transient response is well regulated. Additional output capacitance reduces voltage overshoot and undershoot.

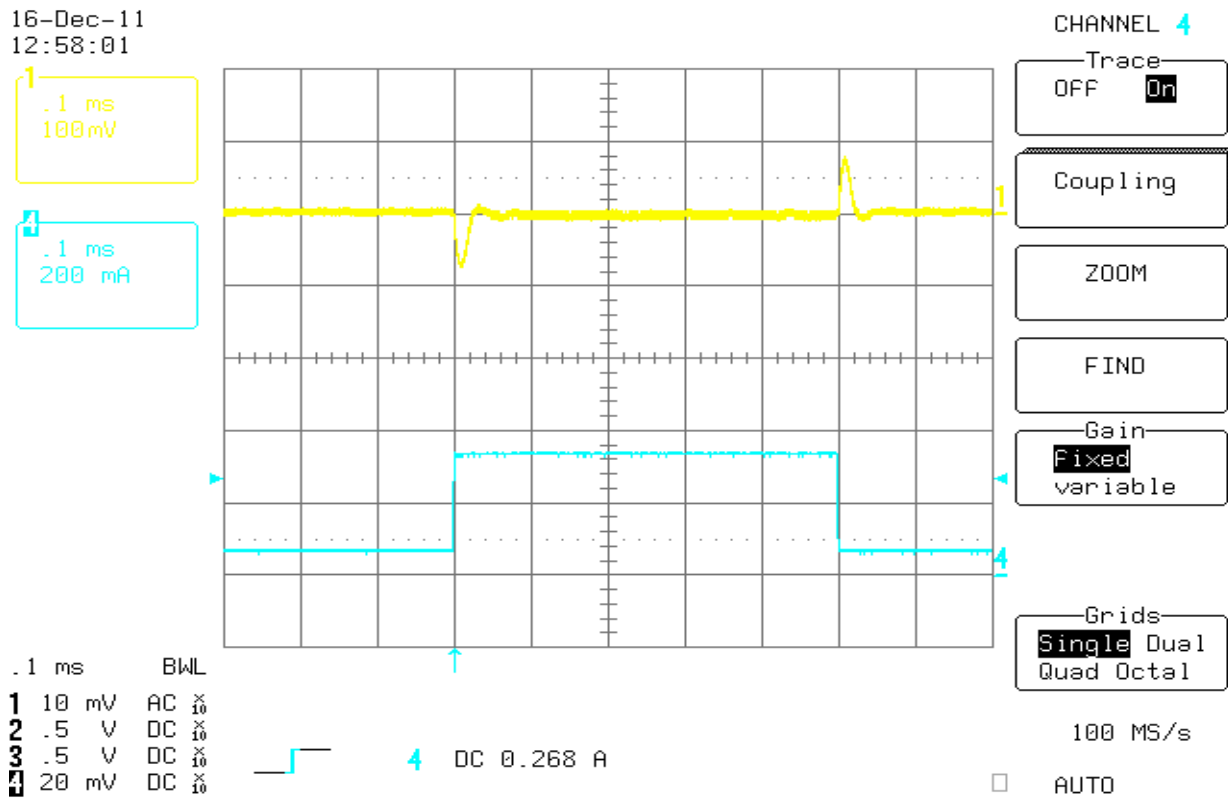


Figure 6. Load Step 100 mA to 500 mA, VIN = 8 V

3 Board Layout

This section provides the TPS63060EVM-619 board layout and illustrations.

3.1 Layout

Figure 7 through Figure 9 show the board layout for the TPS63060EVM-619 PCB.

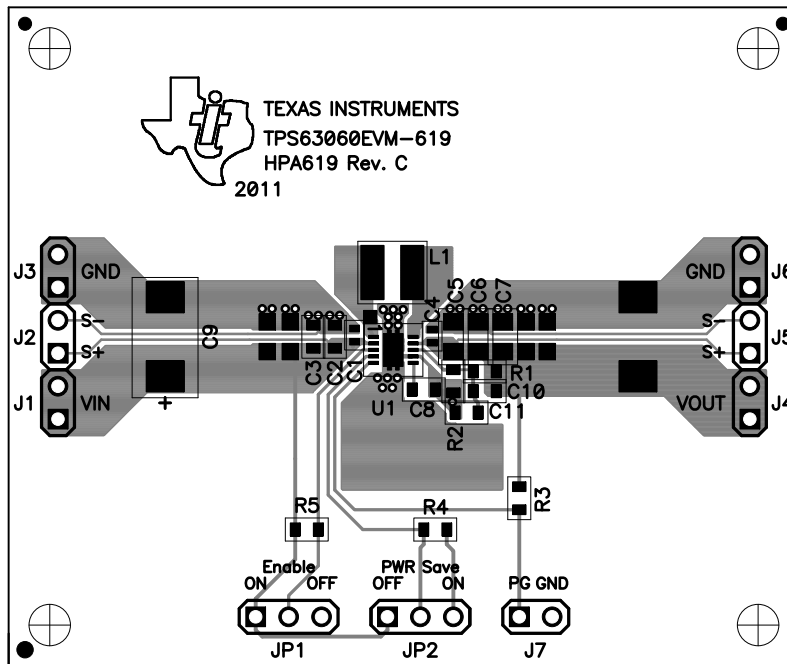


Figure 7. Assembly Layer

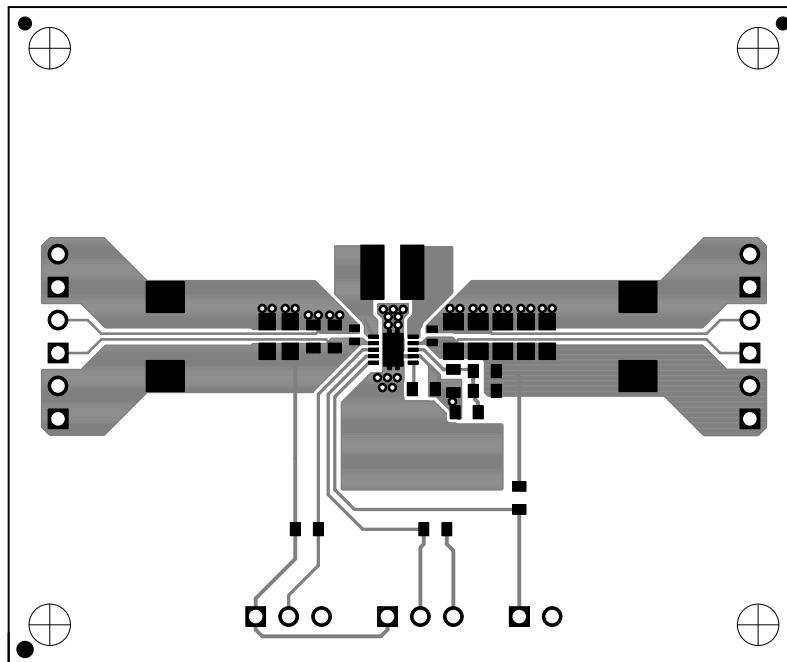


Figure 8. Top Layer Routing

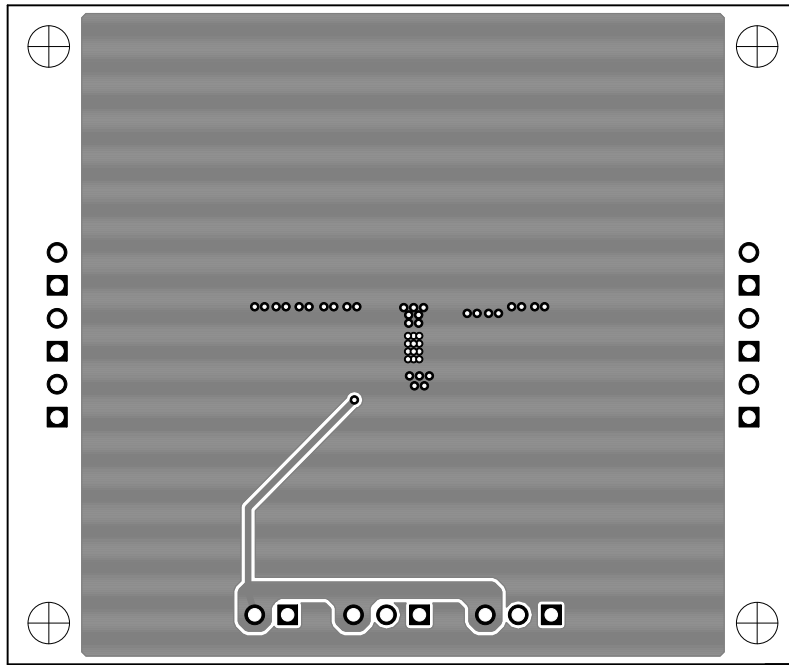


Figure 9. Bottom Layer Routing

4 Schematic and Bill of Materials

This section provides the TPS63060EVM-619 schematic and bill of materials.

4.1 Schematic

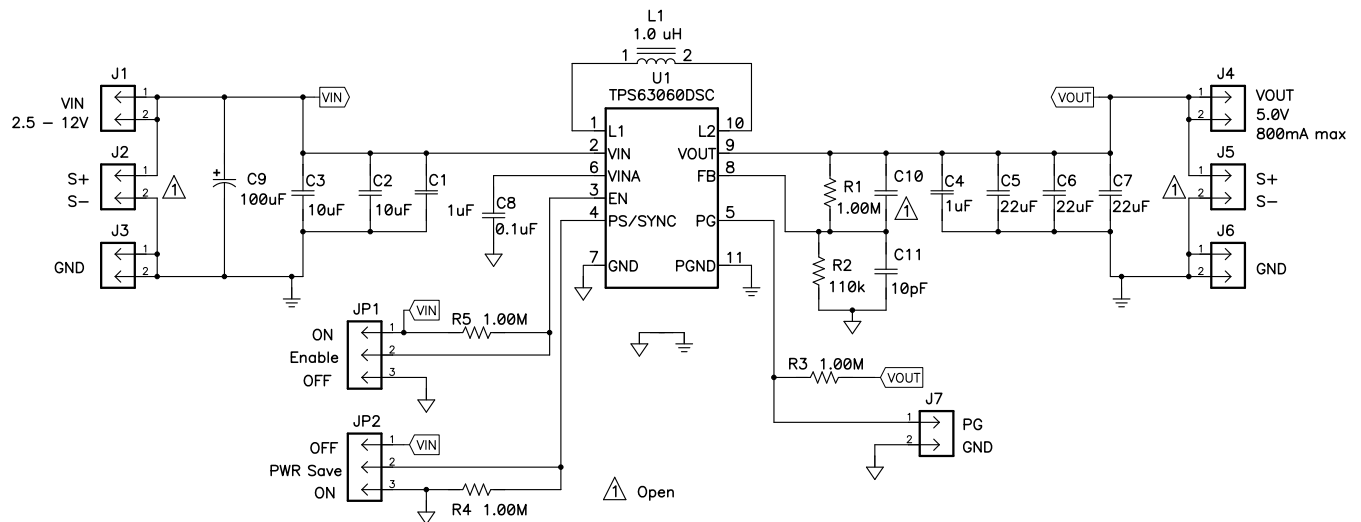


Figure 10. Schematic

4.2 Bill of Materials

Table 2. TPS63060EVM-619 Bill of Materials

Count	RefDes	Value	Description	Size	Part Number	MFR
1	C1	1uF	Capacitor, Ceramic, 16V, X5R, 10%	402	GRM155R61C105KA12D	Murata
1	C4	1uF	Capacitor, Ceramic, 10V, X5R, 10%	402	Std	Std
1	C8	0.1uF	Capacitor, Ceramic, 25V, X7R, 10%	603	Std	Std
0	C10	10pF	Capacitor, Ceramic, 25V, X5R, 20%	603	Std	Std
1	C11	10pF	Capacitor, Ceramic, 6.3V, X5R, 20%	603	Std	Std
5	C12, C13, C5, C6, C7	22uF	Capacitor, Ceramic, 10V, X5R, 20%	805	Std	Std
2	C2, C3	10uF	Capacitor, Ceramic, 25V, X5R, 20%	603	GRM188R61E106MA73	Murata
1	C9	100uF	Capacitor, Tantalum, SMT, 100uF, 25V, 10%	X	T491X107K025AT	Kemet
1	L1	1uH	Inductor, Power, 4.5 A, ±20%	0.157 x 0.157 inch	XFL4020-102ML	Coilcraft
5	R1, R3, R4, R5	1.00M	Resistor, Chip, 1/16W, 1%	603	Std	Std
5	R2	110k	Resistor, Chip, 1/16W, 1%	603	Std	Std
1	U1	TPS63060DSC	IC, High Input Voltage Single Inductor Buck-Boost Converter	SON-1	TPS63060DSC	TI

4.3 Related Documentation From Texas Instruments

TPS63060, High Input Voltage Buck-Boost Converter With 2A Switch Current data sheet ([SLVSA92](#))

4.4 If You Need Assistance

Contact your local TI sales representative.

IMPORTANT NOTICE

Texas Instruments Incorporated and its subsidiaries (TI) reserve the right to make corrections, enhancements, improvements and other changes to its semiconductor products and services per JESD46, latest issue, and to discontinue any product or service per JESD48, latest issue. Buyers should obtain the latest relevant information before placing orders and should verify that such information is current and complete. All semiconductor products (also referred to herein as "components") are sold subject to TI's terms and conditions of sale supplied at the time of order acknowledgment.

TI warrants performance of its components to the specifications applicable at the time of sale, in accordance with the warranty in TI's terms and conditions of sale of semiconductor products. Testing and other quality control techniques are used to the extent TI deems necessary to support this warranty. Except where mandated by applicable law, testing of all parameters of each component is not necessarily performed.

TI assumes no liability for applications assistance or the design of Buyers' products. Buyers are responsible for their products and applications using TI components. To minimize the risks associated with Buyers' products and applications, Buyers should provide adequate design and operating safeguards.

TI does not warrant or represent that any license, either express or implied, is granted under any patent right, copyright, mask work right, or other intellectual property right relating to any combination, machine, or process in which TI components or services are used. Information published by TI regarding third-party products or services does not constitute a license to use such products or services or a warranty or endorsement thereof. Use of such information may require a license from a third party under the patents or other intellectual property of the third party, or a license from TI under the patents or other intellectual property of TI.

Reproduction of significant portions of TI information in TI data books or data sheets is permissible only if reproduction is without alteration and is accompanied by all associated warranties, conditions, limitations, and notices. TI is not responsible or liable for such altered documentation. Information of third parties may be subject to additional restrictions.

Resale of TI components or services with statements different from or beyond the parameters stated by TI for that component or service voids all express and any implied warranties for the associated TI component or service and is an unfair and deceptive business practice. TI is not responsible or liable for any such statements.

Buyer acknowledges and agrees that it is solely responsible for compliance with all legal, regulatory and safety-related requirements concerning its products, and any use of TI components in its applications, notwithstanding any applications-related information or support that may be provided by TI. Buyer represents and agrees that it has all the necessary expertise to create and implement safeguards which anticipate dangerous consequences of failures, monitor failures and their consequences, lessen the likelihood of failures that might cause harm and take appropriate remedial actions. Buyer will fully indemnify TI and its representatives against any damages arising out of the use of any TI components in safety-critical applications.

In some cases, TI components may be promoted specifically to facilitate safety-related applications. With such components, TI's goal is to help enable customers to design and create their own end-product solutions that meet applicable functional safety standards and requirements. Nonetheless, such components are subject to these terms.

No TI components are authorized for use in FDA Class III (or similar life-critical medical equipment) unless authorized officers of the parties have executed a special agreement specifically governing such use.

Only those TI components which TI has specifically designated as military grade or "enhanced plastic" are designed and intended for use in military/aerospace applications or environments. Buyer acknowledges and agrees that any military or aerospace use of TI components which have **not** been so designated is solely at the Buyer's risk, and that Buyer is solely responsible for compliance with all legal and regulatory requirements in connection with such use.

TI has specifically designated certain components as meeting ISO/TS16949 requirements, mainly for automotive use. In any case of use of non-designated products, TI will not be responsible for any failure to meet ISO/TS16949.

Products

Audio	www.ti.com/audio
Amplifiers	amplifier.ti.com
Data Converters	dataconverter.ti.com
DLP® Products	www.dlp.com
DSP	dsp.ti.com
Clocks and Timers	www.ti.com/clocks
Interface	interface.ti.com
Logic	logic.ti.com
Power Mgmt	power.ti.com
Microcontrollers	microcontroller.ti.com
RFID	www.ti-rfid.com
OMAP Applications Processors	www.ti.com/omap
Wireless Connectivity	www.ti.com/wirelessconnectivity

Applications

Automotive and Transportation	www.ti.com/automotive
Communications and Telecom	www.ti.com/communications
Computers and Peripherals	www.ti.com/computers
Consumer Electronics	www.ti.com/consumer-apps
Energy and Lighting	www.ti.com/energy
Industrial	www.ti.com/industrial
Medical	www.ti.com/medical
Security	www.ti.com/security
Space, Avionics and Defense	www.ti.com/space-avionics-defense
Video and Imaging	www.ti.com/video

TI E2E Community

e2e.ti.com



Стандарт Электрон Связь

Мы молодая и активно развивающаяся компания в области поставок электронных компонентов. Мы поставляем электронные компоненты отечественного и импортного производства напрямую от производителей и с крупнейших складов мира.

Благодаря сотрудничеству с мировыми поставщиками мы осуществляем комплексные и плановые поставки широчайшего спектра электронных компонентов.

Собственная эффективная логистика и склад в обеспечивает надежную поставку продукции в точно указанные сроки по всей России.

Мы осуществляем техническую поддержку нашим клиентам и предпродажную проверку качества продукции. На все поставляемые продукты мы предоставляем гарантию .

Осуществляем поставки продукции под контролем ВП МО РФ на предприятия военно-промышленного комплекса России , а также работаем в рамках 275 ФЗ с открытием отдельных счетов в уполномоченном банке. Система менеджмента качества компании соответствует требованиям ГОСТ ISO 9001.

Минимальные сроки поставки, гибкие цены, неограниченный ассортимент и индивидуальный подход к клиентам являются основой для выстраивания долгосрочного и эффективного сотрудничества с предприятиями радиоэлектронной промышленности, предприятиями ВПК и научно-исследовательскими институтами России.

С нами вы становитесь еще успешнее!

Наши контакты:

Телефон: +7 812 627 14 35

Электронная почта: sales@st-electron.ru

Адрес: 198099, Санкт-Петербург,
Промышленная ул, дом № 19, литера Н,
помещение 100-Н Офис 331