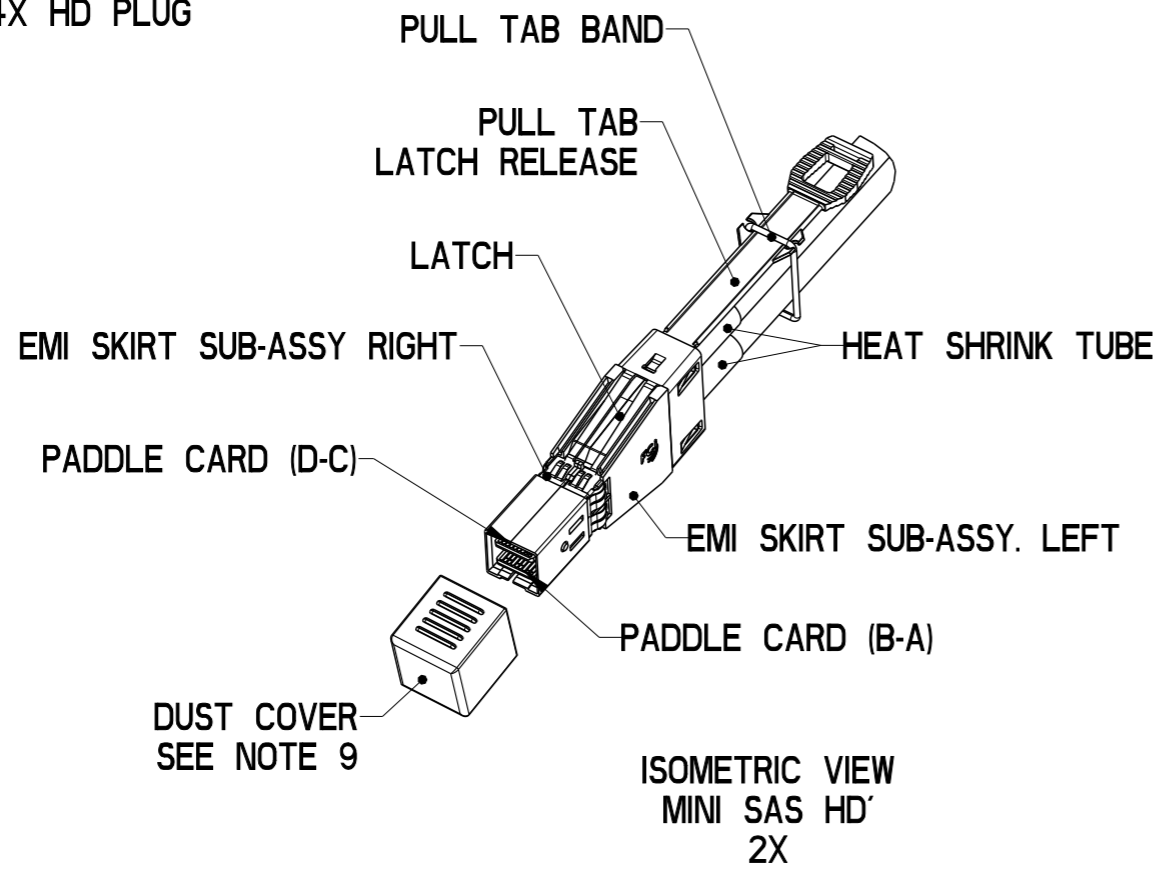
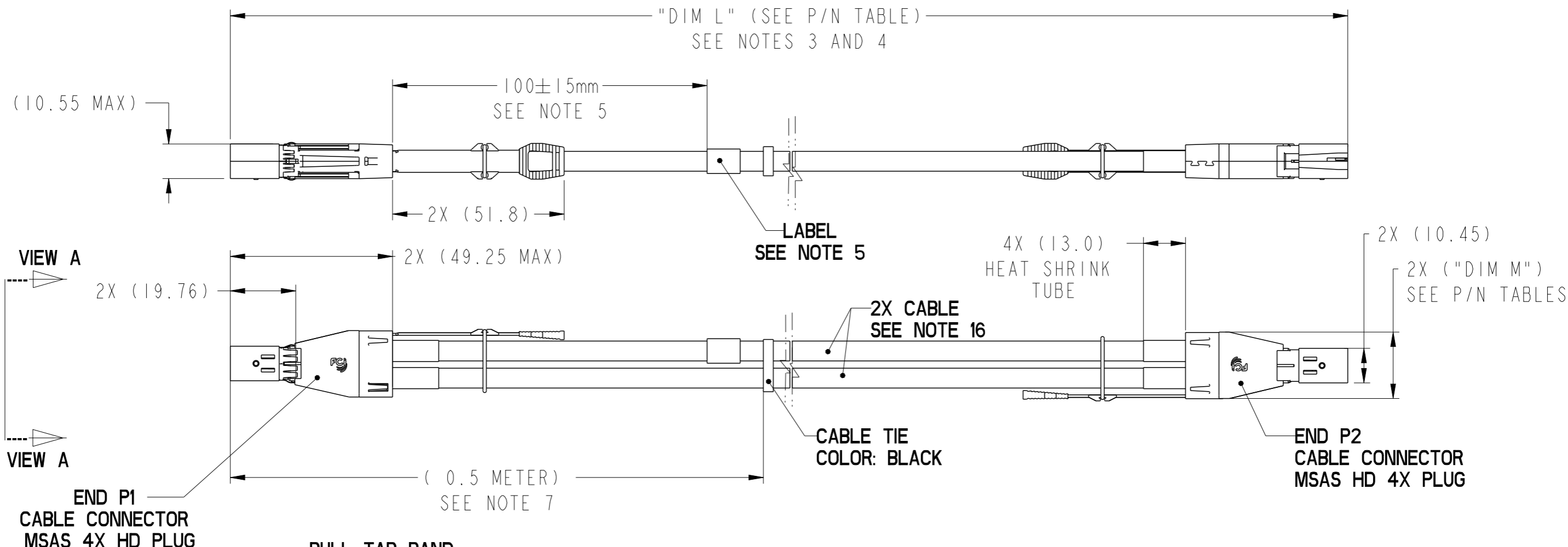
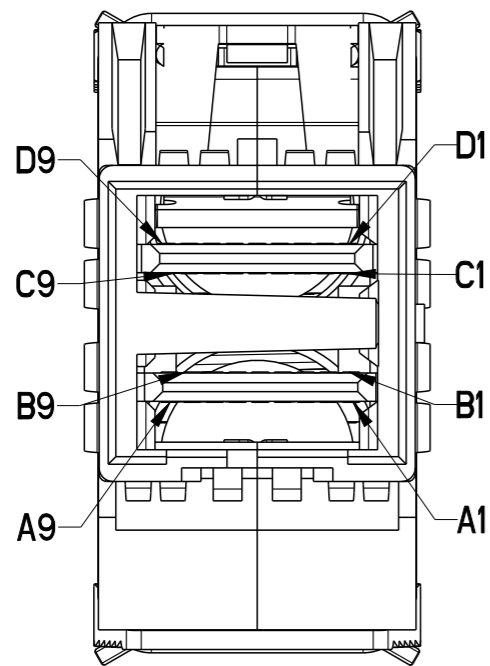


| PRODUCT NUMBER | DESCRIPTION | NOTES |
|------------------|------------------|------------|
| 10117949-XXXXLF | NON-HF | SEE SHT. 3 |
| 10117949-XXXXHLF | HALOGEN FREE (H) | SEE SHT. 3 |



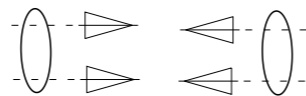
| | | | | | | | | |
|-------------|-------------|------------|--|----|-----------|--------------------|------------------------|----------|
| dr | David Lord | 2011/09/06 | projection | mm | size | A3 | scale | 1:2 |
| eng | Tommy Lin | 2013/12/26 | | | ecn no | | ELX-N-16559-1 | |
| chr | - | - | | | rel level | | Released | |
| appr | Roger Cheng | 2013/12/26 | product family | | C&A | | rel level | |
| | | | FINAL ASSEMBLY (PASSIVE) MSAS HD 4X ASSEMBLY (12 Gb/s) | | | dwg no 10117949 | | rev K |
| www.fci.com | | | cat. no. | | - | | Product - Customer Drw | |
| | | | sheet 1 of 4 | | | | | |

| PRODUCT NUMBER | DESCRIPTION | NOTES |
|------------------|------------------|------------|
| 10117949-XXXXLF | NON-HF | SEE SHT. 3 |
| 10117949-XXXXHLF | HALOGEN FREE (H) | SEE SHT. 3 |



P1
VIEW A
SCALE 4:1

LEGEND:



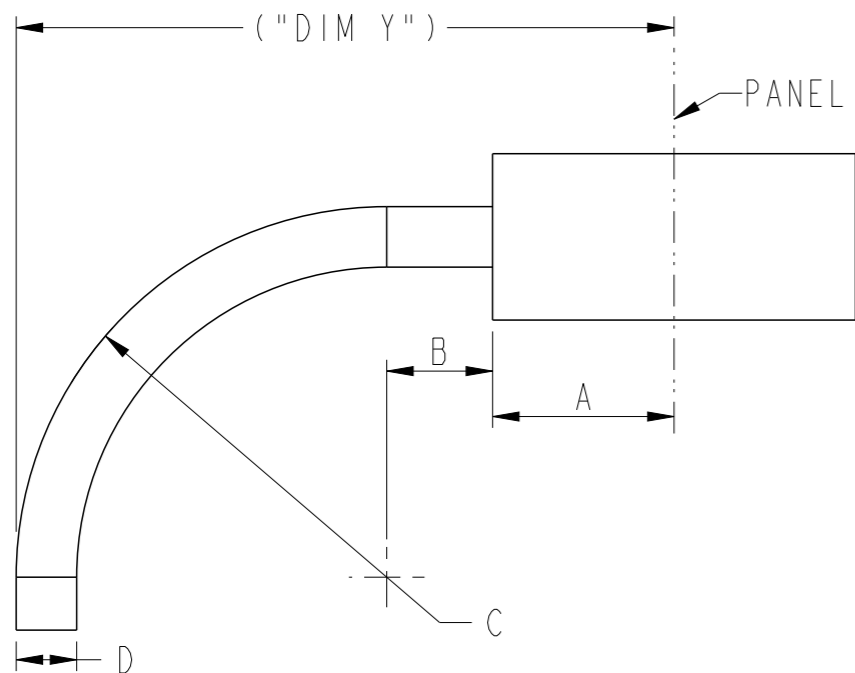
HIGH-SPEED SERIAL
DIFFERENTIAL PAIRS

SIGNAL RETURN

POWER AND MANAGEMENT
INTERFACE

| MINIMUM CABLE BEND TABLE | | | | | |
|--------------------------|------|------|-------|----------------|---------------------|
| CABLE | A | B | C | D (nominal) | ("DIM Y") NON-HF |
| 24 AWG | 29.5 | 13.0 | 50.28 | ∅8.38 | 92.78 |
| 26 AWG | | | 42.6 | ∅7.1 | 85.1 |
| 28 AWG | | | 36.6 | ∅6.1 | 79.1 |
| 30 AWG | | | 31.8 | ∅5.3 | 74.3 |

| MINIMUM CABLE BEND TABLE | | | | | |
|--------------------------|------|------|-------|----------------|-----------------|
| CABLE | A | B | C | D (nominal) | ("DIM Y") HF |
| 24 AWG | 29.5 | 13.0 | 50.28 | ∅8.38 | 92.78 |
| 26 AWG | | | 45 | ∅7.5 | 87.5 |
| 28 AWG | | | 39 | ∅6.5 | 81.5 |
| 30 AWG | | | 35.4 | ∅5.9 | 77.9 |



BEND RADIUS
TOP VIEW OF CONNECTOR

| WIRING LIST (SEE NOTE 6) | | | | | |
|--------------------------|----------|---------|----------|----------|--|
| END P1 | | | END P2 | | |
| POSITION | SYMBOL | | POSITION | SYMBOL | |
| D9 | GROUND | ----- | B9 | GROUND | |
| D8 | Tx2- | ○-----▶ | B8 | Rx2- | |
| D7 | Tx2+ | ○-----▶ | B7 | Rx2+ | |
| D6 | GROUND | ----- | B6 | GROUND | |
| D5 | Tx0- | ○-----▶ | B5 | Rx0- | |
| D4 | Tx0+ | ○-----▶ | B4 | Rx0+ | |
| D3 | GROUND | ----- | B3 | GROUND | |
| D2 | Vman | ◀ ▶ | B2 | ModPrsL | |
| D1 | Vact | ◀ ▶ | B1 | Vact | |
| C1 | SCL | ◀ ▶ | A1 | Reserved | |
| C2 | SDA | ◀ ▶ | A2 | IntL | |
| C3 | GROUND | ----- | A3 | GROUND | |
| C4 | Tx1+ | ○-----▶ | A4 | Rx1+ | |
| C5 | Tx1- | ○-----▶ | A5 | Rx1- | |
| C6 | GROUND | ----- | A6 | GROUND | |
| C7 | Tx3+ | ○-----▶ | A7 | Rx3+ | |
| C8 | Tx3- | ○-----▶ | A8 | Rx3- | |
| C9 | GROUND | ----- | A9 | GROUND | |
| B9 | GROUND | ----- | D9 | GROUND | |
| B8 | Rx2- | ◀-----○ | D8 | Tx2- | |
| B7 | Rx2+ | ◀-----○ | D7 | Tx2+ | |
| B6 | GROUND | ----- | D6 | GROUND | |
| B5 | Rx0- | ◀-----○ | D5 | Tx0- | |
| B4 | Rx0+ | ◀-----○ | D4 | Tx0+ | |
| B3 | GROUND | ----- | D3 | GROUND | |
| B2 | ModPrsL | ◀ ▶ | D2 | Vman | |
| B1 | Vact | ◀ ▶ | D1 | Vact | |
| A1 | Reserved | ◀ ▶ | C1 | SCL | |
| A2 | IntL | ◀ ▶ | C2 | SDA | |
| A3 | GROUND | ----- | C3 | GROUND | |
| A4 | Rx1+ | ◀-----○ | C4 | Tx1+ | |
| A5 | Rx1- | ◀-----○ | C5 | Tx1- | |
| A6 | GROUND | ----- | C6 | GROUND | |
| A7 | Rx3+ | ◀-----○ | C7 | Tx3+ | |
| A8 | Rx3- | ◀-----○ | C8 | Tx3- | |
| A9 | GROUND | ----- | C9 | GROUND | |

SHIELD-----▶ SHIELD

| | | | | | | | | |
|-------------|-------------|------------|--|-----|------------------------|---------------|--------------|----------|
| dr | David Lord | 2011/09/06 | projection | mm | size | A3 | scale | 1:2 |
| eng | Tommy Lin | 2013/12/26 | | | ecn no | ELX-N-16559-1 | rel level | Released |
| chr | - | - | | | | | | |
| appr | Roger Cheng | 2013/12/26 | product family | C&A | | | | |
| | | | FINAL ASSEMBLY (PASSIVE) MSAS HD 4X ASSEMBLY (12 Gb/s) | | dwg no | 10117949 | rev | K |
| www.fci.com | | | cat. no. | - | Product - Customer Drw | | sheet 2 of 4 | |

| PART NUMBER (NON-HALOGEN FREE) SEE NOTE 12 AND 16 | "DIM L" LENGTH (Meters) | "DIM M" (mm) | AWG |
|---|-------------------------|--------------|-----|
| 10117949-2003LF | 0.3 | 17.3 | 30 |
| 10117949-2004LF | 0.4 | 17.3 | 30 |
| 10117949-2005LF | 0.5 | 17.3 | 30 |
| 10117949-2006LF | 0.6 | 17.3 | 30 |
| 10117949-2007LF | 0.7 | 17.3 | 30 |
| 10117949-2008LF | 0.75 | 17.3 | 30 |
| 10117949-2009LF | 0.9 | 17.3 | 30 |
| 10117949-2010LF | 1.0 | 17.3 | 30 |
| 10117949-2015LF | 1.5 | 17.3 | 30 |
| 10117949-2020LF | 2.0 | 17.3 | 30 |
| 10117949-3005LF | 0.5 | 17.3 | 28 |
| 10117949-3006LF | 0.6 | 17.3 | 28 |
| 10117949-3007LF | 0.7 | 17.3 | 28 |
| 10117949-3008LF | 0.8 | 17.3 | 28 |
| 10117949-3009LF | 0.9 | 17.3 | 28 |
| 10117949-3010LF | 1.0 | 17.3 | 28 |
| 10117949-3015LF | 1.5 | 17.3 | 28 |
| 10117949-3020LF | 2.0 | 17.3 | 28 |
| 10117949-3025LF | 2.5 | 17.3 | 28 |
| 10117949-3030LF | 3.0 | 17.3 | 28 |
| 10117949-4010LF | 1.0 | 20.1 | 26 |
| 10117949-4015LF | 1.5 | 20.1 | 26 |
| 10117949-4020LF | 2.0 | 20.1 | 26 |
| 10117949-4025LF | 2.5 | 20.1 | 26 |
| 10117949-4030LF | 3.0 | 20.1 | 26 |
| 10117949-4035LF | 3.5 | 20.1 | 26 |
| 10117949-4040LF | 4.0 | 20.1 | 26 |
| 10117949-4045LF | 4.5 | 20.1 | 26 |
| 10117949-4050LF | 5.0 | 20.1 | 26 |
| 10117949-4055LF | 5.5 | 20.1 | 26 |
| 10117949-4060LF | 6.0 | 20.1 | 26 |
| 10117949-5010LF | 1.0 | 20.1 | 24 |
| 10117949-5015LF | 1.5 | 20.1 | 24 |
| 10117949-5020LF | 2.0 | 20.1 | 24 |
| 10117949-5025LF | 2.5 | 20.1 | 24 |
| 10117949-5030LF | 3.0 | 20.1 | 24 |
| 10117949-5035LF | 3.5 | 20.1 | 24 |
| 10117949-5040LF | 4.0 | 20.1 | 24 |
| 10117949-5045LF | 4.5 | 20.1 | 24 |
| 10117949-5050LF | 5.0 | 20.1 | 24 |
| 10117949-5055LF | 5.5 | 20.1 | 24 |
| 10117949-5060LF | 6.0 | 20.1 | 24 |
| 10117949-5065LF | 6.5 | 20.1 | 24 |
| 10117949-5070LF | 7.0 | 20.1 | 24 |
| 10117949-5075LF | 7.5 | 20.1 | 24 |
| 10117949-5080LF | 8.0 | 20.1 | 24 |

| PART NUMBER (HALOGEN FREE) SEE NOTE 11 AND 16 | "DIM L" LENGTH (Meters) | "DIM M" (mm) | AWG |
|---|-------------------------|--------------|-----|
| 10117949-2003HLF | 0.3 | 17.3 | 30 |
| 10117949-2004HLF | 0.4 | 17.3 | 30 |
| 10117949-2005HLF | 0.5 | 17.3 | 30 |
| 10117949-2006HLF | 0.6 | 17.3 | 30 |
| 10117949-2007HLF | 0.7 | 17.3 | 30 |
| 10117949-2008HLF | 0.75 | 17.3 | 30 |
| 10117949-2009HLF | 0.9 | 17.3 | 30 |
| 10117949-2010HLF | 1.0 | 17.3 | 30 |
| 10117949-2015HLF | 1.5 | 17.3 | 30 |
| 10117949-2020HLF | 2.0 | 17.3 | 30 |
| 10117949-3005HLF | 0.5 | 17.3 | 28 |
| 10117949-3006HLF | 0.6 | 17.3 | 28 |
| 10117949-3007HLF | 0.7 | 17.3 | 28 |
| 10117949-3008HLF | 0.8 | 17.3 | 28 |
| 10117949-3009HLF | 0.9 | 17.3 | 28 |
| 10117949-3010HLF | 1.0 | 17.3 | 28 |
| 10117949-3015HLF | 1.5 | 17.3 | 28 |
| 10117949-3020HLF | 2.0 | 17.3 | 28 |
| 10117949-3025HLF | 2.5 | 17.3 | 28 |
| 10117949-3030HLF | 3.0 | 17.3 | 28 |
| 10117949-4010HLF | 1.0 | 20.1 | 26 |
| 10117949-4015HLF | 1.5 | 20.1 | 26 |
| 10117949-4020HLF | 2.0 | 20.1 | 26 |
| 10117949-4025HLF | 2.5 | 20.1 | 26 |
| 10117949-4030HLF | 3.0 | 20.1 | 26 |
| 10117949-4035HLF | 3.5 | 20.1 | 26 |
| 10117949-4040HLF | 4.0 | 20.1 | 26 |
| 10117949-4045HLF | 4.5 | 20.1 | 26 |
| 10117949-4050HLF | 5.0 | 20.1 | 26 |
| 10117949-4055HLF | 5.5 | 20.1 | 26 |
| 10117949-4060HLF | 6.0 | 20.1 | 26 |
| 10117949-5010HLF | 1.0 | 20.1 | 24 |
| 10117949-5015HLF | 1.5 | 20.1 | 24 |
| 10117949-5020HLF | 2.0 | 20.1 | 24 |
| 10117949-5025HLF | 2.5 | 20.1 | 24 |
| 10117949-5030HLF | 3.0 | 20.1 | 24 |
| 10117949-5035HLF | 3.5 | 20.1 | 24 |
| 10117949-5040HLF | 4.0 | 20.1 | 24 |
| 10117949-5045HLF | 4.5 | 20.1 | 24 |
| 10117949-5050HLF | 5.0 | 20.1 | 24 |
| 10117949-5055HLF | 5.5 | 20.1 | 24 |
| 10117949-5060HLF | 6.0 | 20.1 | 24 |
| 10117949-5065HLF | 6.5 | 20.1 | 24 |
| 10117949-5070HLF | 7.0 | 20.1 | 24 |
| 10117949-5075HLF | 7.5 | 20.1 | 24 |
| 10117949-5080HLF | 8.0 | 20.1 | 24 |

| | | | | | | | | |
|-------------|-------------|-------------------------------|----------------|--------|--------------|---------------|------------------------|-----|
| dr | David Lord | 2011/09/06 | projection | mm | size | A3 | scale | 1:2 |
| eng | Tommy Lin | 2013/12/26 | | | ecn no | ELX-N-16559-1 | | |
| chr | - | - | product family | C&A | rel level | Released | | |
| appr | Roger Cheng | 2013/12/26 | | | | | | |
| | | FINAL ASSEMBLY (PASSIVE) | | | dwg no | 10117949 | rev | K |
| www.fci.com | | MSAS HD 4X ASSEMBLY (12 Gb/s) | | | cat. no. | - | Product - Customer Drw | |
| | | | | | sheet 3 of 4 | | | |

Copyright FCI.

| PRODUCT NUMBER | DESCRIPTION | NOTES |
|------------------|------------------|------------|
| 10117949-XXXXLF | NON-HF | SEE SHT. 3 |
| 10117949-XXXXHLF | HALOGEN FREE (H) | SEE SHT. 3 |

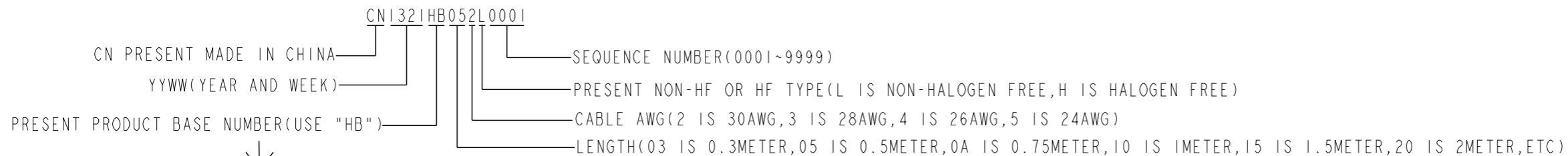
NOTES:

- MATERIAL:
BACK SHELLS: ZINC ALLOY/ COPPER UNDERPLATE/ NICKEL OVERPLATE
PULL TAB: THERMOPLASTIC POLYMER
LATCH : STAINLESS STEEL
FERRULE: BRASS
EMI SKIRT: STAINLESS STEEL
LOCTITE
PADDLE CARD: PRINTED CIRCUIT SUBSTRATE
HEAT SHRINK TUBE: POLYOLEFIN
- THIS PRODUCT MEETS THE RESTRICTION OF HAZARDOUS SUBSTANCES IN ELECTRICAL AND ELECTRONIC EQUIPMENT (RoHS) DIRECTIVE (2011/65/EU)
- THIS DIMENSION IS A FINISHED PRODUCT LENGTH.
- UNLESS OTHERWISE SPECIFIED ASSEMBLED LENGTH TOLERANCE IS TO BE:
"DIM L" < 1 METER = ±25mm
"DIM L" 1 METER TO 4 METERS = ± 2% OF "DIM L"
"DIM L" > 4 METERS = +0.00/-4% OF "DIM L"

5. LABEL DETAILS:

| | | |
|-------------------------------|----------------|----------------|
| MANUFACTURER CODE OR NAME | COUNTRY ORIGIN | CE MARK |
| FCI P/N | | |
| FCI CUSTOMER DRAWING REVISION | | |
| FCI SERIAL NUMBER | | |

FONT SHALL BE CLEARLY VISIBLE AND BLACK IN COLOR.
CE MARK VERTICAL DIMENSION MAY NOT BE LESS THAN 5mm.
SERIAL NUMBER IS ONLY USED FOR TRACKING PRODUCT,DETAIL IS AS BELOW :



CABLE LABEL EXAMPLE:

| | | |
|------------------|-----------|--|
| FCI CHINA | CE | ← CE MARK VERTICAL DIMENSION MAY NOT BE LESS THAN 5mm, |
| 10117949-2005LF | | |
| REV.K | | |
| CNI321HB052L0001 | | |

- ALL CABLE ASSEMBLIES 100% TESTED FOR CONTINUITY AS DEFINED IN WIRING LIST.
- PLACE A CABLE TIE EVERY 0.5 METER ON ALL ASSEMBLIES, UNLESS OTHERWISE SPECIFIED. IN CASE OF 0.5 METER CABLE ASSEMBLY, CABLE TIE IS TO BE APPLIED AT THE MIDWAY POINT.
- OTHER TESTING PERFORMED AS REQUIRED BY PRODUCT SPECIFICATION: GS-12-651.
- PACKAGING OF LEAD FREE PRODUCTS MEETS LABELING AND PACKAGING PER SPECIFICATION GS-14-920. PACKAGE CABLE ASSEMBLIES PER GS-14-1272. DUST COVERS ARE TO BE ASSEMBLED PRIOR TO PACKAGING. FCI PACKAGE TRACKING BAG LABEL IS ONLY FOR REFERENCE. CE MARK SHOULD BE ADDED ON FCI STANDARD PACKAGE LABEL(GI LABEL), CE MARK VERTICAL DIM. MAY NOT BE LESS THAN 5mm.

NOTES CONTINUED:

- A "△" SYMBOL WILL BE NEXT TO ANY DIMENSION, VIEW, OR NOTE WHICH HAS BEEN MODIFIED WITH THE CURRENT DRAWING REVISION. THE CURRENT REVISION WILL BE SHOWN IN THE SYMBOL.
- "H" PRODUCT NUMBERS DESIGNATE THE USE OF HALOGEN FREE RAW CABLE.
- HALOGEN FREE RAW CABLE CAN BE USED AS A SUBSTITUTE ON NON-HF PRODUCT NUMBERS.
- CABLE ASSEMBLY CAN MEET SAS 3.0 SPECIFICATION.
- MATES TO SERIES: 10112626 or 10112627 or 10112628
- EEPROM INFORMATION REFER TO FCI LATEST PRODUCT SPEC. GS-12-651.
- CABLE IS OPTIONAL, WHICH HAD BEEN QUALIFIED BY FCI AND MEET FCI PRODUCT SPEC. GS-12-651.

| | | | | | | | | |
|-------------|-------------|------------|----------------|------------------------|--------------|---------------|-------|-----|
| dr | David Lord | 2011/09/06 | projection | mm ←→ | size | A3 | scale | 1:2 |
| eng | Tommy Lin | 2013/12/26 | | | ecn no | ELX-N-16559-1 | | |
| chr | - | - | | | rel level | Released | | |
| appr | Roger Cheng | 2013/12/26 | product family | C&A | rev | K | | |
| www.fci.com | | cat. no. | - | Product - Customer Drw | sheet 4 of 4 | | | |



Copyright FCI.



**Стандарт
Электрон
Связь**

Мы молодая и активно развивающаяся компания в области поставок электронных компонентов. Мы поставляем электронные компоненты отечественного и импортного производства напрямую от производителей и с крупнейших складов мира.

Благодаря сотрудничеству с мировыми поставщиками мы осуществляем комплексные и плановые поставки широчайшего спектра электронных компонентов.

Собственная эффективная логистика и склад в обеспечивает надежную поставку продукции в точно указанные сроки по всей России.

Мы осуществляем техническую поддержку нашим клиентам и предпродажную проверку качества продукции. На все поставляемые продукты мы предоставляем гарантию .

Осуществляем поставки продукции под контролем ВП МО РФ на предприятия военно-промышленного комплекса России , а также работаем в рамках 275 ФЗ с открытием отдельных счетов в уполномоченном банке. Система менеджмента качества компании соответствует требованиям ГОСТ ISO 9001.

Минимальные сроки поставки, гибкие цены, неограниченный ассортимент и индивидуальный подход к клиентам являются основой для выстраивания долгосрочного и эффективного сотрудничества с предприятиями радиоэлектронной промышленности, предприятиями ВПК и научно-исследовательскими институтами России.

С нами вы становитесь еще успешнее!

Наши контакты:

Телефон: +7 812 627 14 35

Электронная почта: sales@st-electron.ru

Адрес: 198099, Санкт-Петербург,
Промышленная ул, дом № 19, литера Н,
помещение 100-Н Офис 331