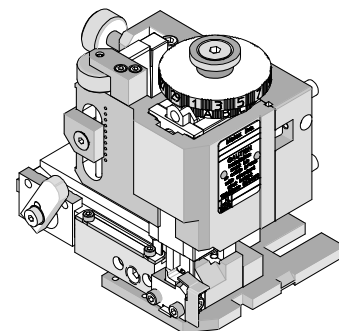




FineAdjust Applicator Applicator Tooling Specification Sheet Order No. 63901-6100



FEATURES

- Quick punch removal with the push of a button for fast and easy tooling change
- Applicator designed to industry standard mounting and shut height 135.80mm (5.346")
- Quick set-up time; plus the crimp height, track and feed adjustments can be set without removing the applicator from the press
- Fine adjustment allows users to achieve target with little effort by adjusting in increments of .015mm (.0006") for conductor crimp height and .063mm (.0025") for insulation height
- Independent adjustment rings allow users to quickly adjust the conductor or insulation crimp height without affecting each other
- Directly adapts to most automatic wire processing machines

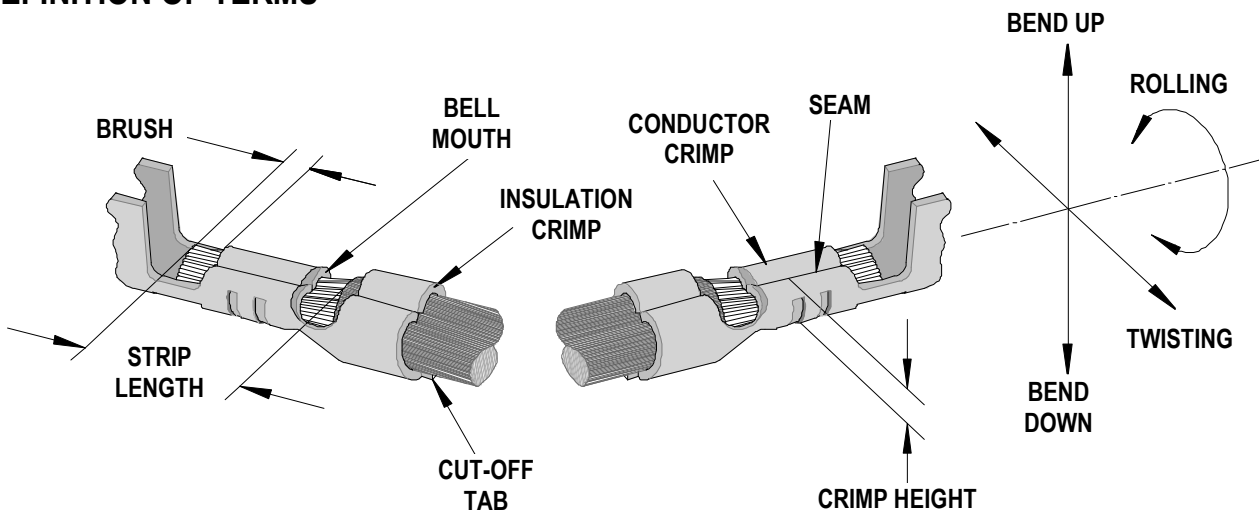
SCOPE

Products: GET 0.64 mm (Global Electronic Technology) Connector System Socket Terminal, 0.50 - 0.75mm² and 18-20 AWG.

Terminal Series No.	Terminal Order No.	Wire Size		Insulation Diameter				Strip Length	
				IPC/WHMA-A620		Terminal			
		AWG	mm ²	mm	In.	mm	In.	mm	In.
13933	1393366-2	Metric Only	0.50	1.60	.063	1.60	.063	4.40	.073
98853	98853-0014	Metric Only	0.50	1.60	.063	1.60	.063	4.40	.073

To achieve optimum IPC-A620 insulation crimps, use this insulation OD range.
Overall insulation OD specification for terminal

DEFINITION OF TERMS



The above terminal drawing is a generic terminal representation. It is not an image of a terminal listed in the scope.

CRIMP SPECIFICATION

Terminal Series No.	Bell mouth		Cut-off Tab Maximum		* Conductor Brush	
	mm	In.	mm	In.	mm	In.
13933	0.20	.008	0.50	.020	0.00-1.00	.000-.040
98853	0.20	.008	0.50	.020	0.00-1.00	.000-.040

* Wire brush must be flush or below top of Conductor Crimp.

Terminal Series No.	Bend up	Bend down	Twist	Roll	Punch Width (Ref)				Seam Seam shall not be open and no wire allowed out of the crimping area
					Conductor		Insulation		
	Degree		Degree		mm	In	mm	In	
13933	2.5	2.5	1.6	1.6	1.78	.070	2.05	.081	
98853	2.5	2.5	1.6	1.6	1.78	.070	2.05	.081	

After crimping, the crimp profiles should measure the following:

Terminal Series No.	Wire Size		Conductor				Insulation Maximum				Pull Force Minimum	
			Crimp Height		Crimp Width		Crimp Height		Crimp Width (Ref.)			
	AWG	mm ²	mm	In.	mm	In.	mm	In.	mm	In.	N	Lb.
13933	Metric Only	0.50	0.98-1.06	.040-.042	1.78-1.93	.070-.076	2.10	.083	2.05	.081	75.0	16.86
98853	Metric Only	0.50	0.98-1.06	.040-.042	1.78-1.93	.070-.076	2.10	.083	2.05	.081	75.0	16.86

■ Tool Qualification Notes:

1. Pull Force should be measured with no influence from the insulation crimp.
2. The above specifications are guidelines to an optimum crimp.

PARTS LIST

FineAdjust Applicator 63901-6100				
Item	Order No	Engineering No.	Description	Quantity
Perishable Tooling				
	63901-6170	63901-6170	Tool Kit (All "Y" Items)	REF
1	63901-6101	63901-6101	Conductor Punch	1 Y
2	63901-6102	63901-6102	Conductor Anvil	1 Y
3	63901-6103	63901-6103	Insulation Punch	1 Y
4	63901-6104	63901-6104	Insulation Anvil	1 Y
5	63901-6105	63901-6105	Cut-Off Plunger	1 Y
6	63901-6106	63901-6106	Front Plunger Retainer	1 Y
Other Components				
7	11-18-4094	60709A111	Feed Guide	1
8	63443-0021	63443-0021	Key	1
9	63443-0061	63443-0061	Wire stop	1
10	63443-6009	63443-6009	Rear Cover	1
11	63600-3351	63600-3351	Compression Spring	1
12	63700-0539	63700-0539	Cut-off Plunger Spring	1
13	63867-3007	63867-3007	Bottom Cap	1
14	63901-6107	63901-6107	Anvil Mount	1
15	63901-6108	63901-6108	Wire Hold Down	1
16	63901-6109	63901-6109	Front Plunger Striker	1
Frame				
17	63800-4901	63800-4901	Top	1
18	63801-3281	63801-3281	Base	1
19	63801-4650	63801-4650	Track	1
Hardware				
20	N/A	N/A	M3 by 6 Long SHCS	2**
21	N/A	N/A	M4 by 8 Long Set Screw	1**
22	N/A	N/A	M4 by 10 Long SHCS	2**
23	N/A	N/A	M4 by 12 Long BHCS	2**
24	N/A	N/A	M4 by 16 Long SHCS	1**
25	N/A	N/A	M4 by 50 Long SHCS	2**
26	N/A	N/A	M5 by 12 Long SHCS	1**
27	N/A	N/A	2mm by 8 Long Roll Pin	1**
28	N/A	N/A	3mm by 6 Long Roll Pin	1**
29	N/A	N/A	#10-32 by 1/4" Long BHCS	1**
** Available from an industrial supply company such as MSC (1-800-645-7270).				

Assembly Drawing

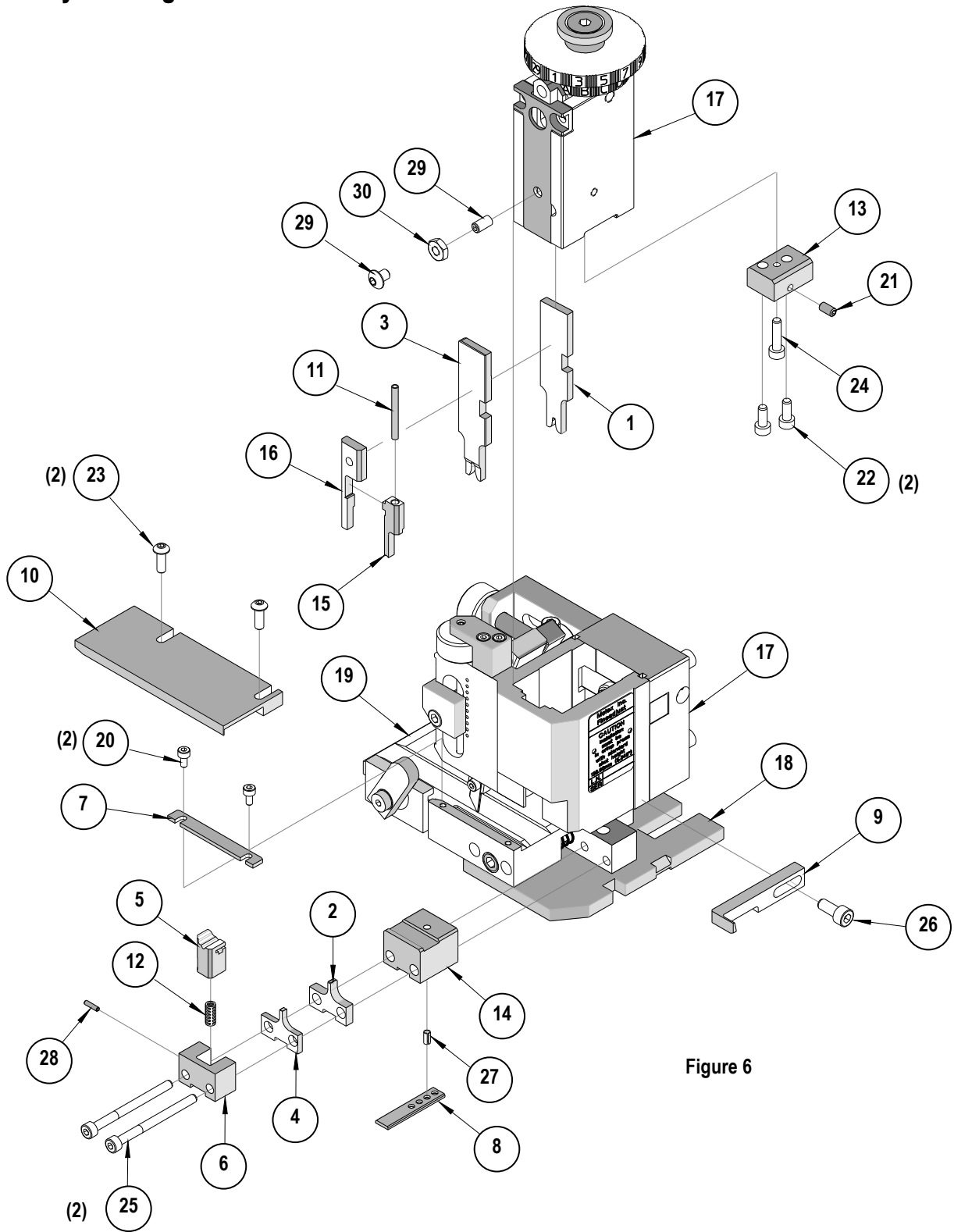


Figure 6

NOTES

1. Molex recommends an extra perishable tooling kit be maintained at your facility.
2. Verify tooling alignment by manually cycling the press and Applicator before crimping under power. Check that all screws are tight.
3. Slugs, Terminals, Dirt and Oil should be kept clear of work area.
4. Wear safety glasses at all times.
5. For recommended maintenance refer to the FineAdjust Manual.

CAUTION: This applicator should only be used in a press with a shut height of 135.80 mm (5.346"). Tooling damage could result at a lower setting.

CAUTION: To prevent injury never operate this Applicator without the guards supplied with the press or wire-processing machine in place. Reference the press or wire processing manufacturer's instruction manual.

CAUTION: Molex crimp specifications are valid only when used with Molex terminals, applicators and tooling.

Americas Headquarters
Lisle, Illinois 60532 U.S.A.
1-800-78MOLEX
amerinfo@molex.com

Far East North Headquarters
Yamato, Kanagawa, Japan
81-462-65-2324
feninfo@molex.com

Far East South Headquarters
Jurong, Singapore
65-6-268-6868
fesinfo@molex.com

European Headquarters
Munich, Germany
49-89-413092-0
eurinfo@molex.com

Corporate Headquarters
2222 Wellington Ct.
Lisle, IL 60532 U.S.A.
630-969-4550
Fax: 630-969-1352

Visit our Web site at <http://www.molex.com>



Стандарт Электрон Связь

Мы молодая и активно развивающаяся компания в области поставок электронных компонентов. Мы поставляем электронные компоненты отечественного и импортного производства напрямую от производителей и с крупнейших складов мира.

Благодаря сотрудничеству с мировыми поставщиками мы осуществляем комплексные и плановые поставки широчайшего спектра электронных компонентов.

Собственная эффективная логистика и склад в обеспечивает надежную поставку продукции в точно указанные сроки по всей России.

Мы осуществляем техническую поддержку нашим клиентам и предпродажную проверку качества продукции. На все поставляемые продукты мы предоставляем гарантию .

Осуществляем поставки продукции под контролем ВП МО РФ на предприятия военно-промышленного комплекса России , а также работаем в рамках 275 ФЗ с открытием отдельных счетов в уполномоченном банке. Система менеджмента качества компании соответствует требованиям ГОСТ ISO 9001.

Минимальные сроки поставки, гибкие цены, неограниченный ассортимент и индивидуальный подход к клиентам являются основой для выстраивания долгосрочного и эффективного сотрудничества с предприятиями радиоэлектронной промышленности, предприятиями ВПК и научно-исследовательскими институтами России.

С нами вы становитесь еще успешнее!

Наши контакты:

Телефон: +7 812 627 14 35

Электронная почта: sales@st-electron.ru

Адрес: 198099, Санкт-Петербург,
Промышленная ул, дом № 19, литера Н,
помещение 100-Н Офис 331