

Evaluation Board for the [ADuM3223/ADuM4223](#) *i*Coupler, 4 A, Isolated Precision Half-Bridge Drivers

FEATURES

- 4 A peak output current**
- High frequency operation: 1 MHz maximum**
- CMOS input logic levels**
- 4.5 V to 18 V output drive**
- Supports TO-263 or TO-252 IGBT/MOSFETs**
- Bootstrap option**

SUPPORTED *i*Coupler MODELS

[ADuM3223](#)

[ADuM4223](#)

GENERAL DESCRIPTION

The EVAL-ADuM3223AEBZ and EVAL-ADuM4223AEBZ support the [ADuM3223](#) and [ADuM4223](#) isolated precision half-bridge drivers, respectively. Because the evaluation boards have footprints for IGBTs and MOSFETs in TO-263 or TO-252 packages, the [ADuM3223](#) and [ADuM4223](#) can be evaluated with many different power devices. The evaluation boards also allow the high-side supply to be bootstrapped to the low-side supply.

The ADuM3223A model represents a superset of the [ADuM3223](#) models because it has the lowest minimum output voltage (4.5 V). The ADuM3223B and ADuM3223C models have minimum output voltages of 7.5 V and 11.5 V, respectively. In the same way, the ADuM4223A model represents a superset of the [ADuM4223](#) models.

Complete information about the [ADuM3223](#) and [ADuM4223](#) is available in the [ADuM3223/ADuM4223](#) data sheet, which should be consulted in conjunction with this user guide when using the evaluation board.

EVALUATION BOARD

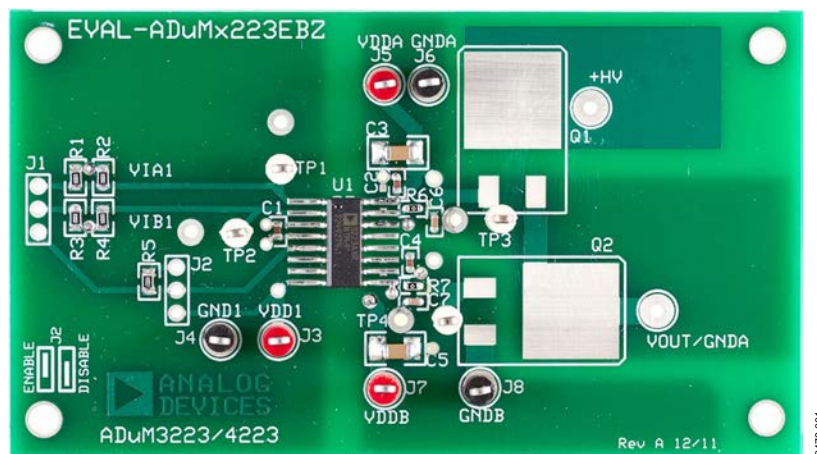


Figure 1. [ADuM3223/ADuM4223](#) Evaluation Board

TABLE OF CONTENTS

Features	1	Power Connections	3
Supported iCoupler Models	1	Input/Output Connections	3
General Description	1	Bootstrapping V_{DDB} to V_{DDA}	3
Evaluation Board	1	Evaluation Board Schematic	4
Revision History	2	Evaluation Board Layout	5
Setting Up the Evaluation Board	3	Ordering Information	6
Pad Layout for the DUT	3	Bill of Materials.....	6

REVISION HISTORY

5/12—Revision 0: Initial Version

SETTING UP THE EVALUATION BOARD

PAD LAYOUT FOR THE DUT

Figure 5 shows the top layer artwork for the dual gate driver circuit.

- U1 is the footprint for the [ADuM3223](#) or [ADuM4223](#).
- C1, C2, and C4 are 0.1 μF bypass capacitors; C3 and C5 are 10 μF bypass capacitors.
- Q1 and Q2 can be populated with TO-263 or TO-252 MOSFETs or IGBTs with the pinout shown in Figure 2.
- C6 and C7 are 2.2 nF loads for the gate driver outputs. Remove C6 and C7 if MOSFETs or IGBTs are added to Q1 and Q2.

R6 and R7 are for gate resistors to control the edges of the outputs. By default, 0 Ω resistors are installed, but these resistors may need to be replaced with low value 0603 resistors if the outputs have loads lighter than 2 nF.

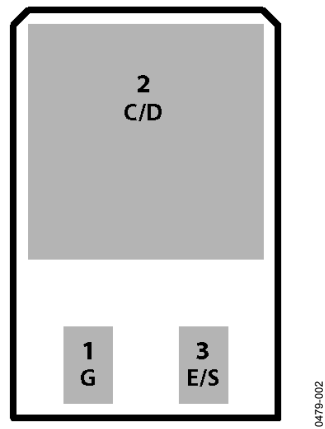


Figure 2. IGBT/MOSFET Footprint

POWER CONNECTIONS

To connect the evaluation board to the power supply, follow these steps:

1. Connect the 5 V or 3.3 V input supply to J3 and its return to J4.
2. Connect the [ADuM3223/ADuM4223](#) V_{DDB} supply voltage (4.5 V to 18 V) to J7 and its return to J8.
3. Connect the V_{DDA} supply voltage (4.5 V to 18 V) to J5 and its return to J6.

GNDA and GNDB are functionally isolated. The emitter/source of Q1 is tied to GNDA, and the emitter/source of Q2 is tied to GNDB. GNDB also has a wire pad directly below the emitter/source pad of Q2. Connect the bridge supply to the +HV wire pad, which is connected to the collector/drain of Q1.

INPUT/OUTPUT CONNECTIONS

Connect Logic Input A (V_{IA}) to TP1 or to Pin 1 of J1; connect Logic Input B (V_{IB}) to TP2 or to Pin 2 of J1. Both inputs have 50 Ω terminations. Resistor R5 enables the outputs of the [ADuM3223](#) or [ADuM4223](#) by pulling the DISABLE pin low. The disable function can also be externally controlled from J1 or set by J2 (not installed).

The half-bridge output is the Q1 emitter/source and Q2 collector/drain node. A wire pad labeled VOUT/GNDA is the output of this circuit.

BOOTSTRAPPING V_{DDB} TO V_{DDA}

To bootstrap V_{DDB} to V_{DDA} , a through-hole diode can be connected from V_{DDB} to V_{DDA} , as shown in Figure 3. In this way, both outputs of the [ADuM3223/ADuM4223](#) can be powered by the V_{DDB} supply when a half bridge is configured with Q1 and Q2.

When the switch node (GNDA) is low, C2 and C3 are charged through the forward biased bootstrapping diode. When the switch node rises to the bridge voltage, the diode becomes reverse biased, and $V_{\text{DDA}} = \text{GNDA} + V_{\text{DDB}} - \text{GNDB}$ because of the charge on C2 and C3. For bootstrapping to work, Q1 and Q2 must be populated instead of the load capacitors, C6 and C7. The switching frequency must be sufficiently high to supply C2 and C3 with the charge required to drive the Q1 gate.

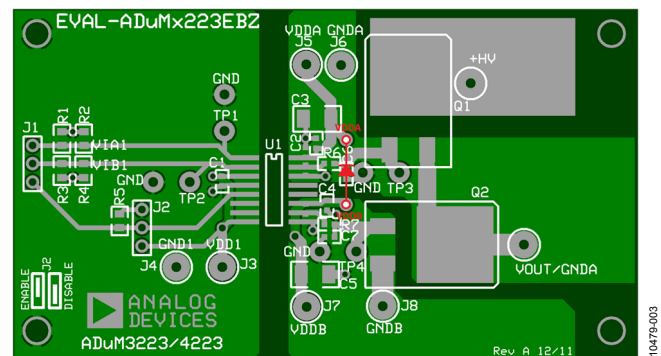


Figure 3. Bootstrapping V_{DDB} to V_{DDA}

EVALUATION BOARD SCHEMATIC

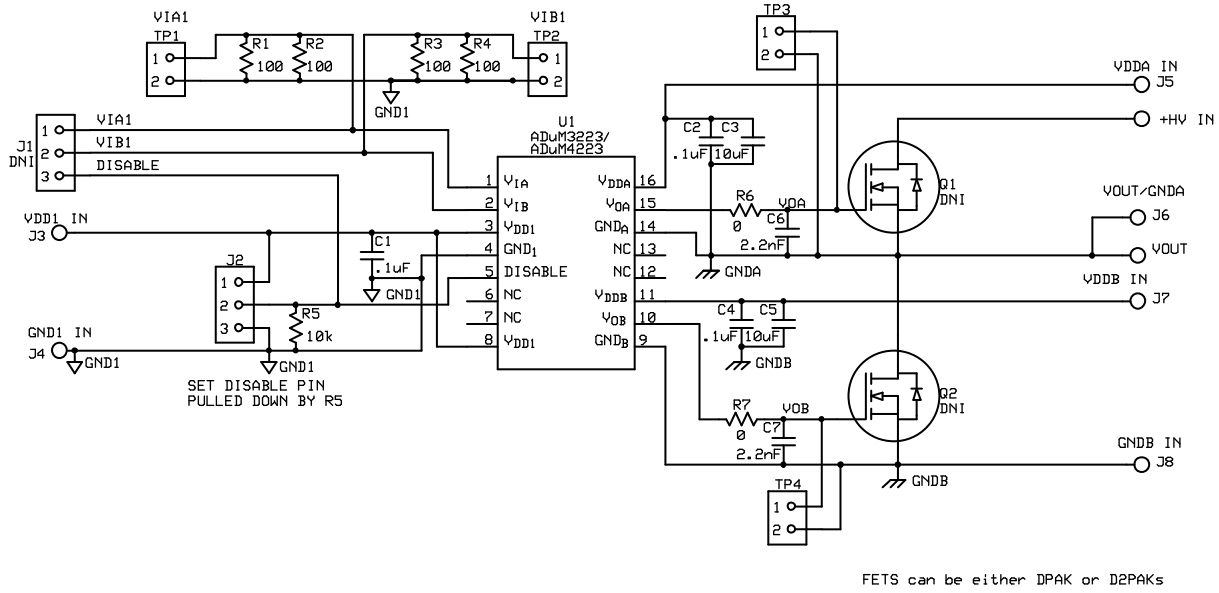


Figure 4. Half-Bridge Driver Schematic

10479-004

EVALUATION BOARD LAYOUT

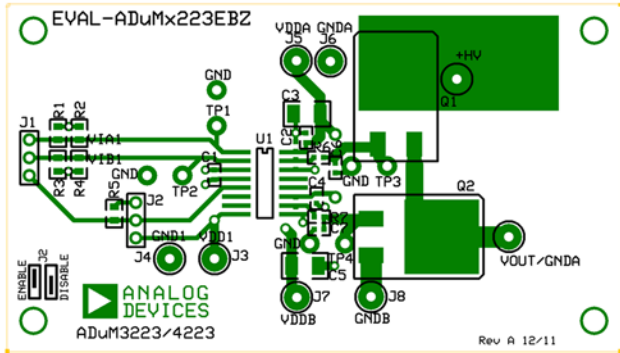


Figure 5. Top Layer

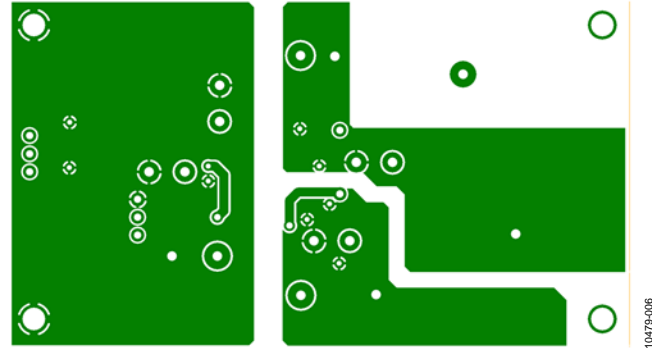


Figure 6. Bottom Layer

ORDERING INFORMATION**BILL OF MATERIALS**

Table 1.

Qty	Reference Designator	Description
1	U1	ADuM3223ARZ or ADuM4223ARWZ IC
3	C1, C2, C4	Capacitor, 0.1 μ F, 25 V, 10%, 0603
2	C3, C5	Capacitor, 10 μ F, 25 V, 10%, 1206
2	C6, C7	Capacitor, 2200 pF, 50 V, 5%, 0603
3	J3, J5, J7	Test point, TP-104 series, red
3	J4, J6, J8	Test point, TP-104 series, black
4	R1, R2, R3, R4	Resistor, 100 Ω , 1/4 W, 1%, 0805
1	R5	Resistor, 10 k Ω , 1/4 W, 1%, 0805
2	R6, R7	Resistor, 0 Ω , 1/10 W, 0603
4	TP1, TP2, TP3, TP4	Test point, TP-104 series, white
4	J1, J2, Q1, Q2	Not installed

NOTES

NOTES

**ESD Caution**

ESD (electrostatic discharge) sensitive device. Charged devices and circuit boards can discharge without detection. Although this product features patented or proprietary protection circuitry, damage may occur on devices subjected to high energy ESD. Therefore, proper ESD precautions should be taken to avoid performance degradation or loss of functionality.

Legal Terms and Conditions

By using the evaluation board discussed herein (together with any tools, components documentation or support materials, the "Evaluation Board"), you are agreeing to be bound by the terms and conditions set forth below ("Agreement") unless you have purchased the Evaluation Board, in which case the Analog Devices Standard Terms and Conditions of Sale shall govern. Do not use the Evaluation Board until you have read and agreed to the Agreement. Your use of the Evaluation Board shall signify your acceptance of the Agreement. This Agreement is made by and between you ("Customer") and Analog Devices, Inc. ("ADI"), with its principal place of business at One Technology Way, Norwood, MA 02062, USA. Subject to the terms and conditions of the Agreement, ADI hereby grants to Customer a free, limited, personal, temporary, non-exclusive, non-sublicensable, non-transferable license to use the Evaluation Board FOR EVALUATION PURPOSES ONLY. Customer understands and agrees that the Evaluation Board is provided for the sole and exclusive purpose referenced above, and agrees not to use the Evaluation Board for any other purpose. Furthermore, the license granted is expressly made subject to the following additional limitations: Customer shall not (i) rent, lease, display, sell, transfer, assign, sublicense, or distribute the Evaluation Board; and (ii) permit any Third Party to access the Evaluation Board. As used herein, the term "Third Party" includes any entity other than ADI, Customer, their employees, affiliates and in-house consultants. The Evaluation Board is NOT sold to Customer; all rights not expressly granted herein, including ownership of the Evaluation Board, are reserved by ADI. CONFIDENTIALITY. This Agreement and the Evaluation Board shall all be considered the confidential and proprietary information of ADI. Customer may not disclose or transfer any portion of the Evaluation Board to any other party for any reason. Upon discontinuation of use of the Evaluation Board or termination of this Agreement, Customer agrees to promptly return the Evaluation Board to ADI. ADDITIONAL RESTRICTIONS. Customer may not disassemble, decompile or reverse engineer chips on the Evaluation Board. Customer shall inform ADI of any occurred damages or any modifications or alterations it makes to the Evaluation Board, including but not limited to soldering or any other activity that affects the material content of the Evaluation Board. Modifications to the Evaluation Board must comply with applicable law, including but not limited to the RoHS Directive. TERMINATION. ADI may terminate this Agreement at any time upon giving written notice to Customer. Customer agrees to return to ADI the Evaluation Board at that time. LIMITATION OF LIABILITY. THE EVALUATION BOARD PROVIDED HEREUNDER IS PROVIDED "AS IS" AND ADI MAKES NO WARRANTIES OR REPRESENTATIONS OF ANY KIND WITH RESPECT TO IT. ADI SPECIFICALLY DISCLAIMS ANY REPRESENTATIONS, ENDORSEMENTS, GUARANTEES, OR WARRANTIES, EXPRESS OR IMPLIED, RELATED TO THE EVALUATION BOARD INCLUDING, BUT NOT LIMITED TO, THE IMPLIED WARRANTY OF MERCHANTABILITY, TITLE, FITNESS FOR A PARTICULAR PURPOSE OR NON-INFRINGEMENT OF INTELLECTUAL PROPERTY RIGHTS. IN NO EVENT WILL ADI AND ITS LICENSORS BE LIABLE FOR ANY INCIDENTAL, SPECIAL, INDIRECT, OR CONSEQUENTIAL DAMAGES RESULTING FROM CUSTOMER'S POSSESSION OR USE OF THE EVALUATION BOARD, INCLUDING BUT NOT LIMITED TO LOST PROFITS, DELAY COSTS, LABOR COSTS OR LOSS OF GOODWILL. ADI'S TOTAL LIABILITY FROM ANY AND ALL CAUSES SHALL BE LIMITED TO THE AMOUNT OF ONE HUNDRED US DOLLARS (\$100.00). EXPORT. Customer agrees that it will not directly or indirectly export the Evaluation Board to another country, and that it will comply with all applicable United States federal laws and regulations relating to exports. GOVERNING LAW. This Agreement shall be governed by and construed in accordance with the substantive laws of the Commonwealth of Massachusetts (excluding conflict of law rules). Any legal action regarding this Agreement will be heard in the state or federal courts having jurisdiction in Suffolk County, Massachusetts, and Customer hereby submits to the personal jurisdiction and venue of such courts. The United Nations Convention on Contracts for the International Sale of Goods shall not apply to this Agreement and is expressly disclaimed.



Стандарт Электрон Связь

Мы молодая и активно развивающаяся компания в области поставок электронных компонентов. Мы поставляем электронные компоненты отечественного и импортного производства напрямую от производителей и с крупнейших складов мира.

Благодаря сотрудничеству с мировыми поставщиками мы осуществляем комплексные и плановые поставки широчайшего спектра электронных компонентов.

Собственная эффективная логистика и склад в обеспечивает надежную поставку продукции в точно указанные сроки по всей России.

Мы осуществляем техническую поддержку нашим клиентам и предпродажную проверку качества продукции. На все поставляемые продукты мы предоставляем гарантию .

Осуществляем поставки продукции под контролем ВП МО РФ на предприятия военно-промышленного комплекса России , а также работаем в рамках 275 ФЗ с открытием отдельных счетов в уполномоченном банке. Система менеджмента качества компании соответствует требованиям ГОСТ ISO 9001.

Минимальные сроки поставки, гибкие цены, неограниченный ассортимент и индивидуальный подход к клиентам являются основой для выстраивания долгосрочного и эффективного сотрудничества с предприятиями радиоэлектронной промышленности, предприятиями ВПК и научно-исследовательскими институтами России.

С нами вы становитесь еще успешнее!

Наши контакты:

Телефон: +7 812 627 14 35

Электронная почта: sales@st-electron.ru

Адрес: 198099, Санкт-Петербург,
Промышленная ул, дом № 19, литера Н,
помещение 100-Н Офис 331