



## SINGLE-CHIP 8-BIT MICROCONTROLLER

### DESCRIPTION

The MAB84X1 family of microcontrollers is fabricated in NMOS. The family consists of 5 devices:

- MAB8401 – 128 bytes RAM, external program memory, with 8-bit LED-driver (10mA), emulation of MAB/F8422/42\* possible
- MAB/MAF8421 – 2K bytes ROM/64 bytes RAM plus 8-bit LED-driver
- MAB/MAF8441 – 4K bytes ROM/128 bytes RAM plus 8-bit LED-driver
- MAB/MAF8461 – 6K bytes ROM/128 bytes RAM plus 8-bit LED-driver

Each version has 20 quasi-bidirectional I/O port lines, one serial I/O line, one single-level vectored interrupt, an 8-bit timer/event counter and on-board clock oscillator and clock circuits. Two 20-pin versions, MAB/F8422 and MAB/F8442\* are also available.

This microcontroller family is designed to be an efficient controller as well as an arithmetic processor. The instruction set is based on that of the MAB8048. The microcontrollers have extensive bit handling abilities and facilities for both binary and BCD arithmetic.

For detailed information see the 84XX family specification.

\* See data sheet on MAB/F8422/42.

### Features

- 8-bit: CPU, ROM, RAM and I/O in a single 28-lead DIL package
- 2K, 4K or 6K ROM bytes plus a ROM-less version
- 64 or 128 RAM bytes
- 20 quasi-bidirectional I/O port lines
- Two testable inputs: one of which can be used to detect zero cross-over, the other is also the external interrupt input
- Single level vectored interrupts: external, timer/event counter, serial I/O
- Serial I/O that can be used in single or multi-master systems (serial I/O data via an existing port line and clock via a dedicated line)
- 8-bit programmable timer/event counter
- Internal oscillator, generated with inductor, crystal, ceramic resonator or external source
- Over 80 instructions (based on MAB8048) all of 1 or 2 cycles
- Single 5 V power supply ( $\pm 10\%$ )
- Operating temperature ranges: 

0 to + 70 °C	MAB84X1 family
-40 to + 85 °C	MAF84X1 family only
-40 to + 110 °C	MAF84AX1 family only

### PACKAGE OUTLINES

MAB8401B: 28-lead 'Piggy-back' package (with up to 28-pin EPROM on top).

MAB8401WP: 68-lead plastic leaded chip-carrier (PLCC) (SOT188).

MAB/MAF8421/41/61P: 28-lead DIL; plastic with internal heat spreader (SOT117).

MAF84A21/41/61P: 28-lead DIL; plastic with internal heat spreader (SOT117).

MAB8421/41/61T: 28-lead mini-pack; plastic (SO28; SOT136A).

**MAB84X1  
MAF84X1  
MAF84X1  
FAMILY**

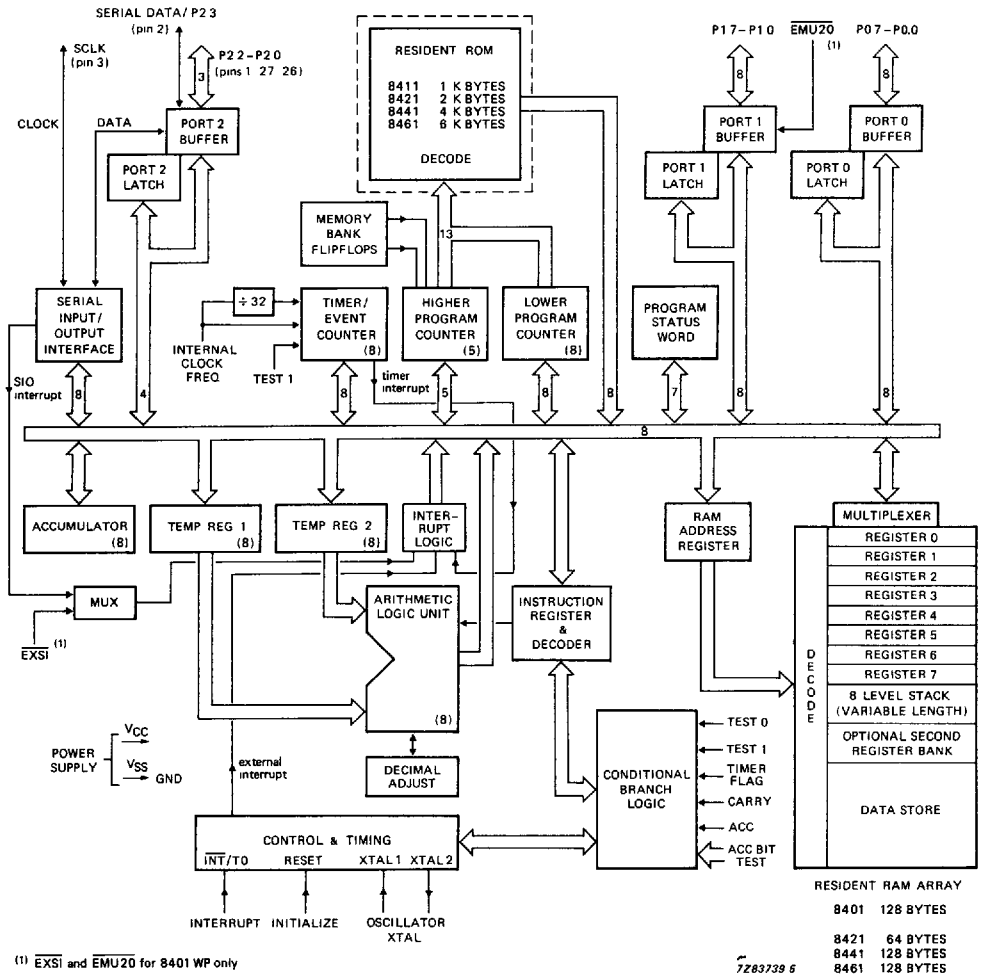


Fig. 1a Block diagram of the MAB84X1 family.

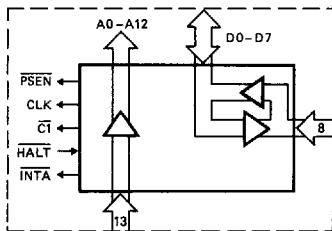


Fig. 1b Replacement for dotted part in Fig. 1a for the MAB8401WP bond-out version.

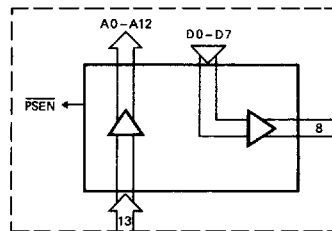


Fig. 1c Replacement of dotted part in Fig. 1a for the MAB8401B 'Piggy-back' version.

PINNING

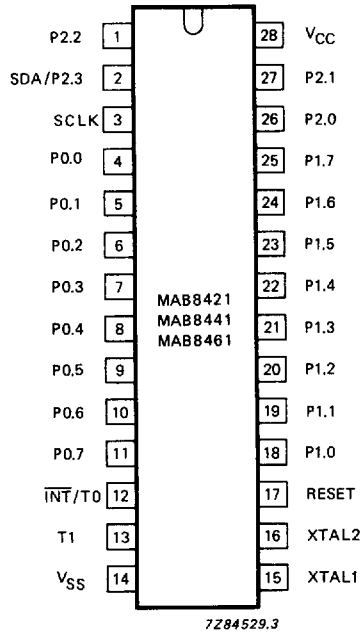
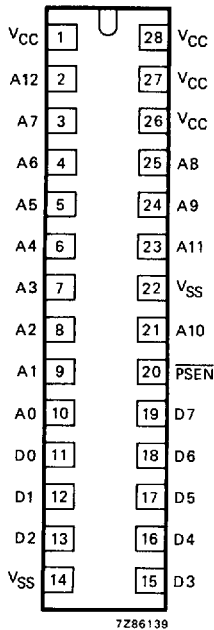


Fig. 2 Pinning diagram for mask-programmable devices MAB8421, MAB8441, MAB8461 and for MAB8401 'Piggy-back' version bottom pinning (for top pinning see Fig. 3).

PINNING DESIGNATION

VSS	14	<b>Ground</b>
VCC	28	<b>Power supply, + 5 V</b>
P0.0 – P0.7	4 – 11	<b>Port 0</b> , 8-bit quasi-bidirectional I/O port
P1.0 – P1.7	18 – 25	<b>Port 1</b> , 8-bit quasi-bidirectional I/O port with 8-bit LED driver
P2.0 – P2.3	26, 27, 1, 2	<b>Port 2</b> , 4-bit quasi-bidirectional I/O port; SDA/P2.3 is the serial data I/O in serial I/O mode
SCLK	3	Bidirectional clock for serial I/O
INT/T0	12	External interrupt input (sensitive to a negative-going edge min LOW > 7 clock pulses, min HIGH > 4 clock pulses), testable using the JTO or JNT0 instructions.
T1	13	Input pin, testable using the JT1 or JNT1 instructions. It can be designated as event counter input using the STRT CNT instruction. It can also be used to detect zero cross-over of slowly moving AC inputs.
RESET	17	Input to initialize the processor (active HIGH).
XTAL1	15	Connection to timing component (crystal) that determines the frequency of the internal oscillator. It is also the input for an external clock source.
XTAL2	16	Connection to other side of the timing component.

**MAB8401B (top pinning)**



**PIN DESIGNATION**

designation	pin	function
VSS	14, 22	Ground
VCC	1, 26-28	Power supply, +5 V
A0-A12	10-3, 25, 24, 21, 23, 2	Address outputs
D0-D7	11-13, 15-19	Data inputs
PSEN	20	Program store enable

Fig. 3 Pinning diagram for MAB8401B 'Piggy-back' version top pinning (for bottom pinning see Fig. 2); to access a 2732 or 2764 EPROM.

**Note**

Access times for ROMS/EPROMS to be below 1  $\mu$ s.

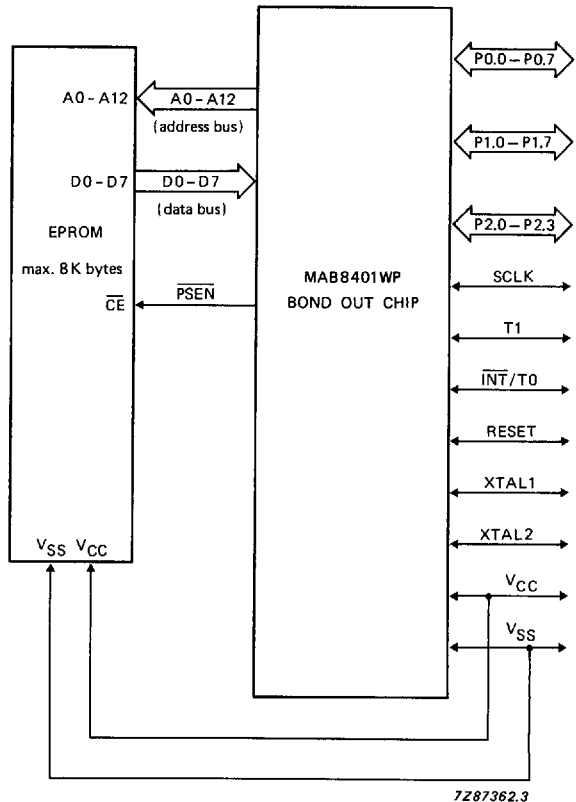


Fig. 3a Connection of EPROM to 'Piggy-back' package MAB8401B.

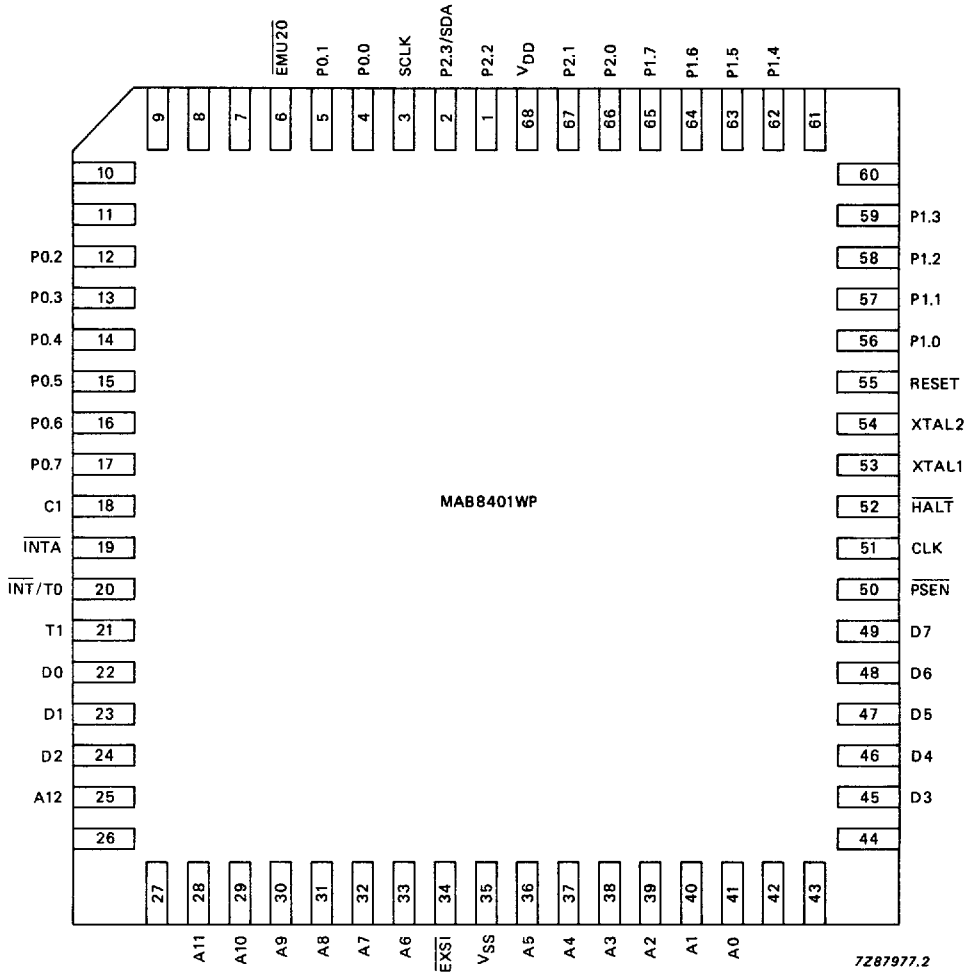


Fig. 4 Pinning diagram; PLCC.

**CHIP CARRIER DESIGNATION**

designation	pad no.	function
VSS	35	<b>Ground</b>
VCC	68	<b>Power supply, + 5 V</b>
P0.0 – P0.7	4–5, 12–17	<b>Port 0, 8-bit quasi-bidirectional I/O port</b>
P1.0 – P1.7	56–59, 62–65	<b>Port 1, 8-bit quasi-bidirectional I/O port with 8-bit LED driver</b>
P2.0 – P2.3	66, 67, 1, 2	<b>Port 2, 4-bit quasi-bidirectional I/O port; SDA/P2.3 is the serial data I/O in serial I/O mode</b>
SCLK	3	<b>Bidirectional clock for serial I/O</b>
INT/T0	20	<b>External interrupt input (sensitive to a negative-going edge), testable using the JTO or JNT0 instructions</b>

T1	21	Input pin, testable using the JT1 or JNT1 instructions. It can be designated as event counter input using the STRT CNT instruction. It can also be used to detect zero cross-over of slowly moving a.c. inputs.
RESET	55	Input to initialize the processor (active HIGH)
XTAL1	53	Connection to timing component (e.g. crystal) that determines the frequency of the internal oscillator. It is also the input for an external clock source.
XTAL2	54	Connection to other side of the timing component
EXSI	34	External serial I/O interrupt (active-LOW) for emulation of MAB/F8422/42.
A0-A12	41-36, 33-28	Program memory address outputs (active HIGH); A0 = LSB, A12 = MSB. Address output change after begin $\phi$ 3 of TS8.
D0-D7	22-24, 45-49	Data input lines (active HIGH) used for reading external program memory. D0 = LSB, D7 = MSB.
CLK	51	Clock output buffered from XTAL2. On the positive-going edge the (internal) $\phi$ clock goes HIGH.
$\overline{\text{PSEN}}$	50	Program store enable. This signal is used for enabling the external EPROM (e.g. on the 'Piggy-back' version). For emulation, it enables the emulation memory and it indicates machine cycles. Active LOW during TS9, *TS10 of each machine cycle and TS1 of the following machine cycle.
$\overline{\text{C1}}$	18	Cycle 1 indication output (active LOW). During emulation, this signal indicates the opcode fetch cycle (useful for external instruction decoding, real-time trace). Active from start of TS10 of the cycle preceding cycle 1, until the start of TS10 of cycle 1.
$\overline{\text{HALT}}$	52	Halt input (active LOW). If activated, the current instruction is finished and the microcontroller stops execution (HALT mode). The next program counter address is available on the address bus. Program counter and timer/event counter are no longer updated. The serial I/O finishes the current transmit/receive action and goes into the idle state. Interrupts are <i>not</i> sampled in the HALT mode, they are only sampled when the microcontroller is running. Interrupt routines can be single-stepped as a normal program.
$\overline{\text{INTA}}$	19	Interrupt acknowledge output (active LOW). It indicates any interrupt acceptance. Active from start of TS8 of the interrupted cycle, until start of TS7 of the second cycle of the (internally forced 'CALL vector address' instruction. During $\overline{\text{INTA}}$ active, the address bus shows the address that has been saved in the stack (return address); the C1 output indicates opcode fetch cycles as if a user CALL was executed.
$\overline{\text{EMU20}}$	6	Emulate 20-pin version MAB/F8422/42 (active-LOW).

\* TS = Time slot, where 10 TS = 1 cycle.

**FUNCTIONAL DESCRIPTION** (for more detail see 84XXX family specification)

**Bond-out version MAB8401WP**

The bond-out version is a microcontroller that contains no on-board ROM, but has all address and data lines brought out to access an external ROM or EPROM. Thus, this version has more pins than the standard microcontrollers with on-board ROM. It has all the features of the other members of the MAB84X1 family, including emulation facilities for the MAB/F8422/42 (20-pin version). It can address 8K bytes of external ROM. The RAM has 128 bytes.

**Piggy-back version MAB8401B**

The Piggy-back version is a special package that has standard pinning to the bottom which facilitates insertion as a mask-programmed device. An EPROM is mounted on top in an additional socket. Thus, the total package height is greater than the standard DIL package. Emulation of the 8422/42 is not possible.

**Program and data memory**

The program memory (ROM) is mask-programmed at our factory. Because the MAB84X1 family offers a range of ROM capacities to suit the application, ROM expansion is not required. Figure 5 shows the program memory map. Program memory is arranged in banks of 2K bytes, that are selected by SEL MB instructions.

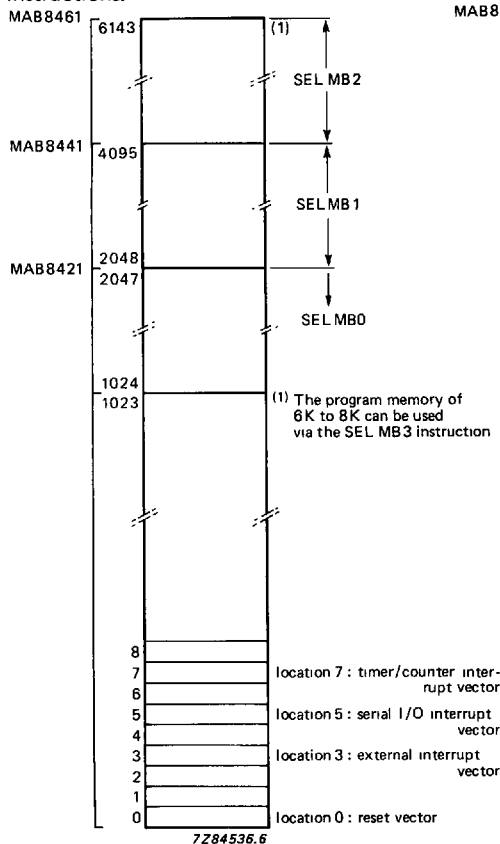


Fig. 5 The program memory map.

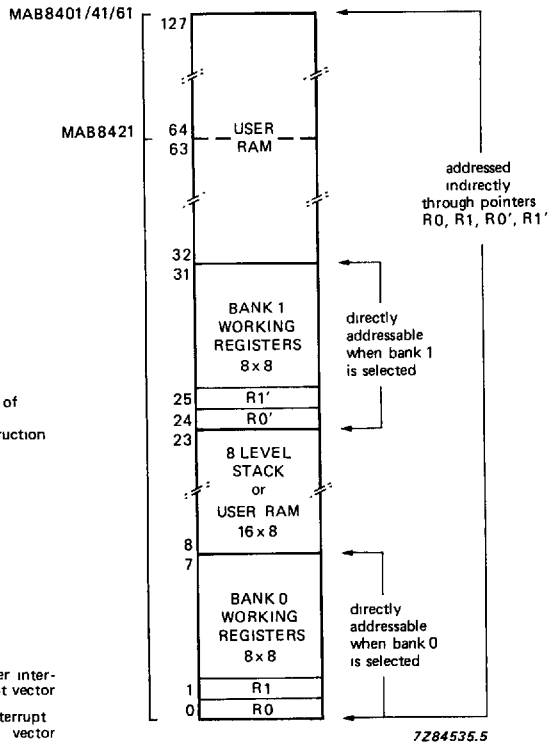


Fig. 6 The data memory map.

## FUNCTIONAL DESCRIPTION (continued)

The data memory (RAM) consists of 64 or 128 bytes (8-bit words). All locations are indirectly addressable using RAM pointer registers and up to 16 designated location can be addressed directly. The memory also includes an 8-level program counter stack addressed by a 3-bit stack pointer. Figure 6 shows the data memory map.

### On-chip peripheral functions

In addition to the CPU and memories, an interrupt system, I/O facilities, and an 8-bit timer/event counter are integrated on-chip to assist the CPU in repetitions, complicated or time-critical tasks. The I/O facilities include the I/O pins, parallel ports and a serial I/O port, consisting of a data line SDA shared with a parallel port line (P2.3), and a dedicated clock line SCLK.

### I/O facilities

The MAB84XX family has 23 I/O lines arranged as:

- Two parallel ports of 8 lines (P0.0–P0.7, P1.0–P1.7). Each line of Port 1 can sink 10 mA.
- A parallel port of 4 lines (P2.0–P2.3).
- A serial I/O consisting of a data line shared with a parallel port line (P2.3) and a separate clock line SCLK;
- An external interrupt and test input  $\overline{\text{INT}}/\text{T0}$ , which when used as a test input can be tested by the conditional jump instructions JTO or JNT0;
- A test input T1, which can alter program sequences when tested by conditional jump instructions JT1 or JNT1. T1 can also be used as an input to the timer/event counter or to detect zero cross-over of slowly moving AC signals.

All parallel port lines are available in three optional output configurations (except P2.3 — option 1 only):

- Option 1; open drain output without pull-up transistor (Fig. 7(a))
- Option 2; open drain output with pull-up transistor (Fig. 7(b))
- Option 3; push-pull output with pull-up transistor (Fig. 7(c))

If the inputs and outputs on a port are mixed (mixed-mode), the inputs should be options 1 or 2 but not option 3. This prevents cross-currents via TR2 and an external connection to ground, while switching the output on the same port and in parallel, masking the inputs with logic 1s.

The MAB84X1 family serial I/O interface has been designed to eliminate the heavy processing load imposed upon a normal microcontroller performing serial data transfer. Whereas a normal microcontroller must regularly monitor the serial data bus for the presence of data, the serial I/O interface detects, receives and converts the serial data stream into a parallel format without interrupting the execution of the current program. An interrupt is sent to the microcontroller only when a complete byte is received. Then, the microcontroller reads the data byte in one instruction. Likewise, for transmission, the serial I/O interface performs parallel to serial conversion and subsequent serial output of the data and the microcontroller is only interrupted in the execution of its programmed tasks when a complete byte has been transmitted. The design of the serial I/O interface allows any number of MAB84X1 family devices and peripheral circuits with I<sup>2</sup>C bus compatibility to be interconnected by the two-line serial bus. This is achieved by allocating a specific 7-bit address to each device and ensuring that a device reacts only to a message preceded by its own address or the 'general call' address.

Address recognition is performed by the interface hardware so that the microcontroller need only be interrupted when a valid address is received. This saves significant processing time and memory space compared to a conventional microcontroller with a software serial interface. When the address facility is not required, for instance in a system with only two microcontrollers, direct data transfer is possible. In multi-master systems, an automatically invoked arbitration procedure prevents two or more devices transmitting simultaneously.



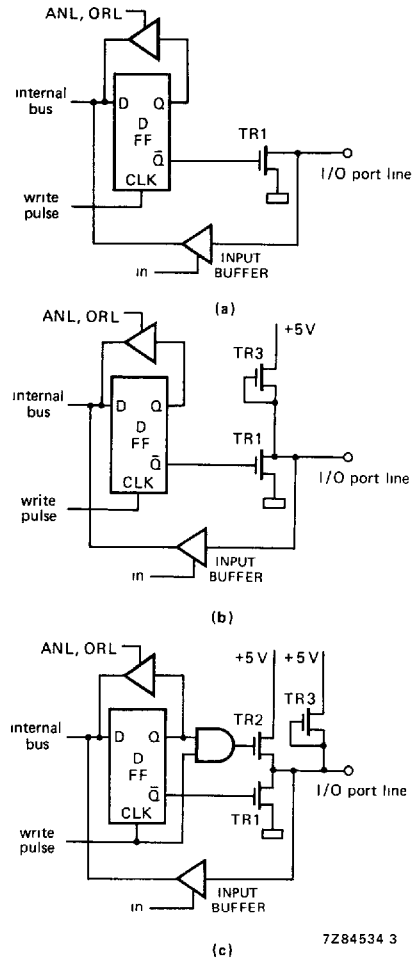


Fig. 7 Quasi-bidirectional I/O interface with (a) open drain output without pull-up transistor, (b) open drain output with pull-up transistor, (c) push-pull output with pull-up transistor.

**Serial I/O interface**

Figure 8 shows the serial I/O interface. The clock line of the serial bus has exclusive use of pin 3 (SCLK) while the data line shares pin 2 (serial data) with the I/O line P2.3 of port 2. When the serial I/O is enabled, P2.3 is disabled as a parallel port line (P2.3 and SCLK only open drain).

The microcontroller and interface communicate via the internal microcontroller bus and the Serial Interrupt Request line. Data and information controlling the operation of the interface are stored in four registers:

- data shift register S0,
- serial I/O interface status word S1,
- serial clock control word S2,
- address register S0'

## FUNCTIONAL DESCRIPTION (continued)

### Serial I/O interface (continued)

#### Data shift register S0

S0 is the shift register that converts serial data to parallel format and vice versa. A pending interrupt is generated only after a complete byte has been transmitted, or after a complete data byte, specific or general call address has been received. The most significant bit is transmitted first.

#### Serial I/O interface status word S1

S1 provides information about the state of the interface and stores interface control information from the microcontroller. The four most significant bits are common to both read and write instructions, with a separate 4 read-only control bits and 4 write-only interface status bits.

#### MST and TRX

These bits determine the operating mode of the serial I/O interface (Table 2).

**Table 1** Operating modes of the serial I/O interface.

MST	TRX	mode
0	0	slave receiver
1	0	master receiver
0	1	slave transmitter
1	1	master transmitter

#### BB: Bus Busy

This bit indicates the status of the bus.

#### PIN: Pending Interrupt Not

PIN = '0' indicates that there is an interrupt pending. This causes a Serial Interrupt Request when the serial interrupt mechanism is enabled.

#### ESO: Enable Serial Output

The ESO flag enables/disables the serial I/O interface: ESO = logic 1 enables  
ESO = logic 0 disables

#### BC0, BC1 and BC2

These bits indicate the number of bits received or transmitted in a serial data stream.

Bits ESO, BC0, BC1 and BC2 can only be written via software.

#### AL: Arbitration Lost

The AL flag is set via the hardware when the serial I/O interface, as a master transmitter, loses the bus arbitration procedure.

#### AAS: Addressed As Slave

This flag is set via the hardware when the interface detects either its own address or the 'general call' address as the first byte of a transfer and if the interface has been programmed to operate in the address recognition mode.

**AD0: Address Zero**

This flag is set via the hardware after the general call address is detected when the interface is operating in the address recognition mode.

**LRB: Last Received Bit**

This contains either the last data bit received or, for a transmitting device in the acknowledge mode, the acknowledge from the receiving device.

Bits AL, AAS, AD0 and LRB can only be read via software.

**Serial clock control register S2**

Bits 0 to 4 of S2 are used to set the frequency of the serial clock signal. When a 4,43 MHz crystal is used, the frequency of the serial clock can be varied between 100 kHz and 720 Hz. An asymmetrical clock with a HIGH to LOW ratio of 3 to 1 is produced by setting bit 5. The asymmetrical clock allows a microcontroller more time per clock period for sampling the data line, making the timing of this action less critical. Bit 6 is used to activate the acknowledge mode of the serial I/O. S2 is a write-only register.

**Address register S0'**

The address register contains the 7-bit address back-up latches and the bit (ALS) used to enable/disable the address recognition mode. Only when ESO = 0 can the address register be written using the MOV S0,A and MOV S0,#data instructions.

**Serial I/O interrupt logic**

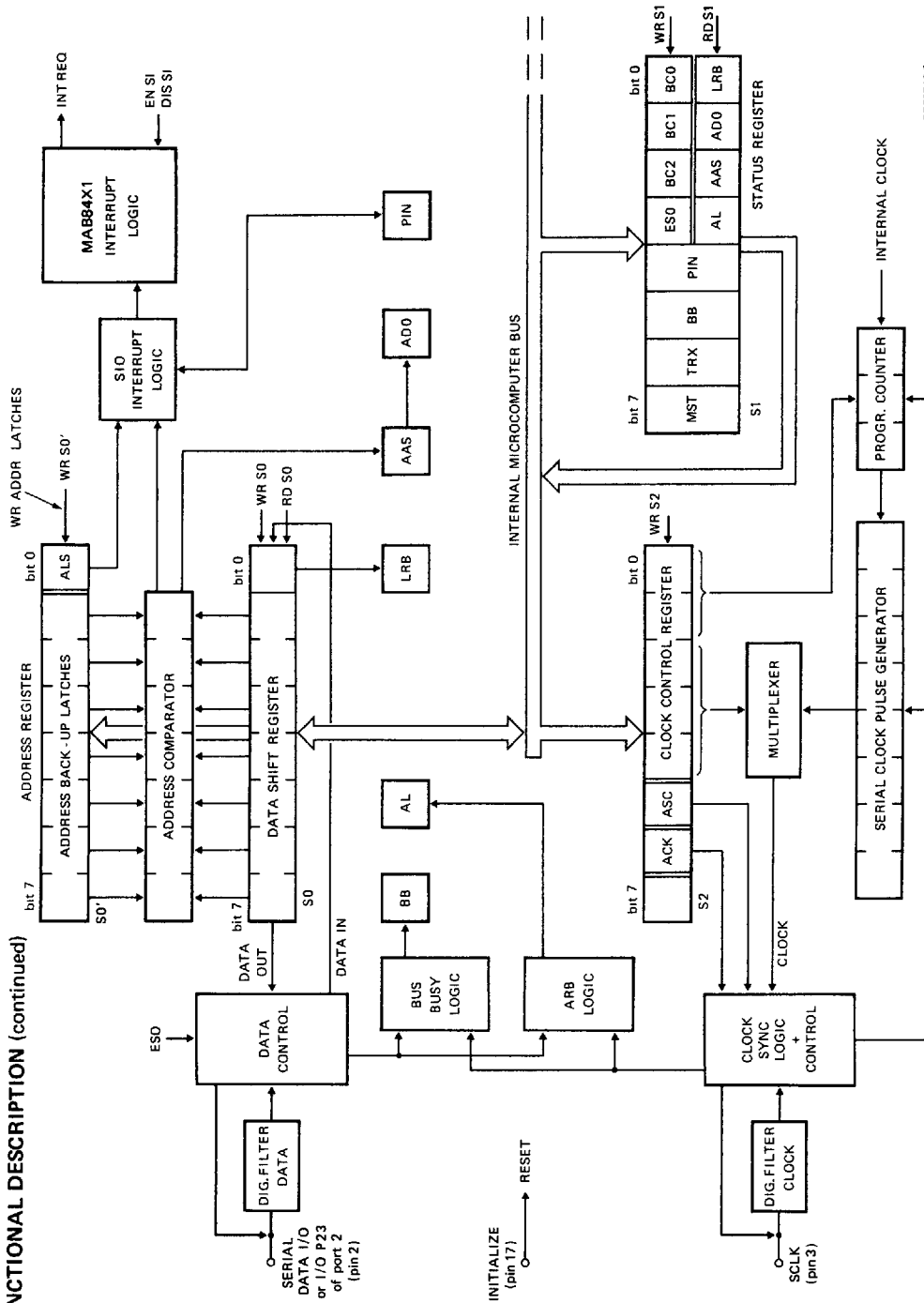
The interrupt logic is enabled by the EN SI instruction and disabled by DIS SI. When the interrupt logic is enabled, a pending interrupt results in a serial I/O interrupt to the controller, causing a jump to location 5 in the ROM. When the logic is disabled, the presence of an interrupt is still indicated by the PIN bit in register S1. Therefore, an interrupt can still be serviced but a vectored interrupt will not occur.

**Interrupt system**

External events and real-time on-chip peripherals require servicing by the CPU asynchronous to the execution of any particular section of code. To tie the asynchronous activities of these functions to normal program execution, three single-level nested interrupts are provided.

Each interrupt vectors to a separate location in the program memory for its service program. Each source can be individually enabled or disabled. When more than one interrupt occurs simultaneously, their priority will be: (1) external, (2) serial I/O and, (3) timer/event counter. An additional external interrupt can be created using the timer/event counter interrupt.

FUNCTIONAL DESCRIPTION (continued)



7283740 3

Fig. 8 The serial I/O interface.

**Test input T1**

The T1 input line can be used as:

- a test input for branch instructions,
- an input for zero voltage cross-over detection,
- an external input to the event counter.

An internal pull-up transistor is provided as a ROM mask option. This is useful when the input is from a switch or standard TTL output.

When T1 is used as a test input, the JT1 or JNT1 instructions test for a HIGH or a LOW respectively.

When used for zero-cross detection purposes, the T1 input must be coupled through a capacitor of typical value 1  $\mu$ F and operation carried out using the T1 input without the pull-up transistor. The maximum input voltage amplitude is 3 V (peak-to-peak), with a maximum operational frequency of 1 kHz. The T1 input has an on-chip DC offset circuit which self-biases the input to its exact switching level of 1 V. As a consequence a small change will cause a digital transition to occur. The switching level of the T1 input circuit is within the bias voltage of  $\pm 135$  mV. Upon each positive cycle on the pin, the event counter is incremented and an overflow will set the timer flag TF. Zero cross-over detection used in conjunction with the timer/event counter interrupt, is useful in thyristor control of power equipment. Figure 9 illustrates, (a) the input waveform, (b) the input diagram and (c) the on-chip self-stabilized bias.

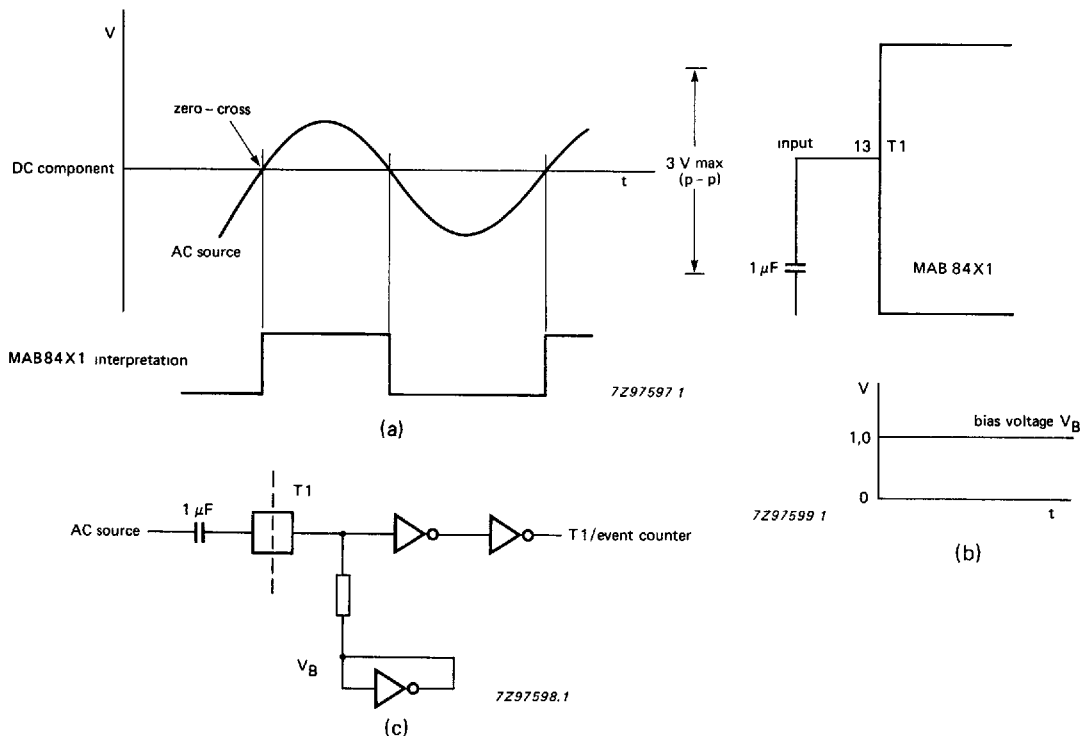


Figure 9 Zero-cross detection circuitry; (a) input waveform, (b) input diagram, (c) on-chip self-stabilized bias.

The operation of T1 as an input to the timer/event counter is described under the heading Timer/event counter.

### High current outputs

Ten pins are provided that can sink high currents:

- P2.3 (serial data), pin 2                    5 mA at 0,45 V (open drain),
- SCLK, pin 3                                    5 mA at 0,45 V (open drain),
- P1.0 - P1.7 \*                                10 mA at 1 V

### Timer/event counter

An 8-bit binary up-counter is provided. This can count external events, machine cycles divided by 32, or machine cycles directly. When used as a timer, the input to the counter is either the overflow or input of a 5-bit prescaler. When used as an event counter, LOW to HIGH transitions on T1 (pin 13) are counted. The maximum rate at which the counter may be incremented is once every machine cycle (200 kHz for a 5 μs machine cycle). Figure 10 illustrates the timer/event counter.

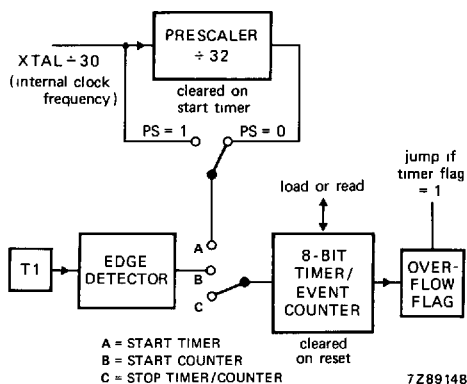


Fig. 10 The timer/event counter.

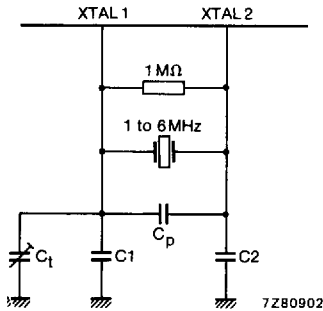
Differences between the MAB8021 and MAB8048 microcontrollers, and the MAB84X1 family.

	8021	8048	8401, 8421, 8441, 8461
ROM capacity (bytes)	1K	1K	ROMless, 2K, 4K, 6K
RAM capacity (bytes)	64	64	128, 64, 64, 128, 128
parallel I/O lines	8 + 8 + 4	8 + 8 + 8	8 + 8 + 4
single inputs	1	3	2
serial I/O	no	no	yes, 2-line multi-transmitter
timer	8 bit	8 bit	8 bit
prescaler	mod. 32	mod. 32	mod. 1 & mod. 32
machine cycle time (μs)	10	2,5	5
for clock (MHz)	3	6	6
instruction set	8021	8048	8048 with omissions; 5 new serial I/O instructions, 2 new register instructions; 2 new control instructions; 1 new cond. branch instruction
interrupts	none	2 external timer/ event counter	3 external serial I/O timer/event counter
no. of pins (DIL)	28	40	68 (PLCC), 28

\* P1.0 to P1.7 may be connected in parallel if their logic outputs are always the same.

**OSCILLATOR CIRCUITRY**

Clock frequency is determined by using the internal oscillator or by connecting an external clock to XTAL1. Where the internal oscillator is used, the frequency is set by a crystal between XTAL1 and XTAL2, or by a ceramic resonator or an inductor, each with two associated capacitors, between XTAL1 and XTAL2 (see Fig. 11a). A machine cycle consists of 10 states, each state being 3 oscillator periods. The common 6 MHz crystal gives a 5 μs machine cycle. The MAB84X1 family has dynamic logic, and therefore, for adequate refreshing the oscillator frequency must be at least 1 MHz.



1. Crystal – AT-cut
2. Ceramic resonator  
 $C1 = C2 = 27 \text{ pF}$   
 $C1$  may be trimmed  
 $C_p \leq 6,75 \text{ pF}$  (parasitic capacitance)

Fig. 11a Quartz crystal or ceramic resonator mode.

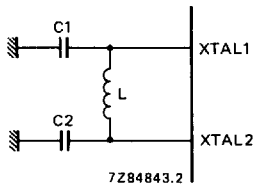


Fig. 11b LC pi-network.

**LC oscillator timing**

frequency	C1 = C2	L
3,0 MHz	33 pF	100 μH
4,0 MHz	33 pF	56 μH
4,4 MHz	33 pF	47 μH
5,0 MHz	33 pF	33 μH
6,0 MHz	33 pF	22 μH

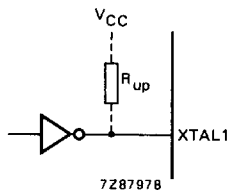


Fig. 11c External drive.

Drive XTAL1  
 Leave XTAL2 open  
 Driver may be high-speed CMOS or any TTL  
 $t_r, t_f < 10 \text{ ns}$

### PROGRAM STATUS WORD

The program status word (PSW) is an 8-bit word in the CPU which stores information about the current status of the microcontroller (Fig. 12). The PSW bits are:

- bits 0, 1 and 2 — stack pointer bits (SP<sub>0</sub>, SP<sub>1</sub>, SP<sub>2</sub>);
- bit 3 — prescaler select (PS); 0 = divide-by-32; 1 = no prescaling;
- bit 4 — working register bank select (RBS):  
0 = register bank 0  
1 = register bank 1;
- bit 5 — not used (1);
- bit 6 — auxiliary carry (AC):  
half-carry bit is generated by an ADD instruction and used by the decimal adjust instruction DA A;
- bit 7 — carry (CY):  
the carry flag indicates that the previous operation has resulted in an overflow of the accumulator.

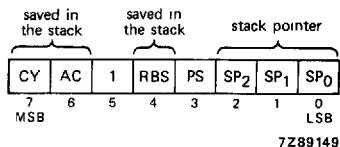


Fig. 12 Program status word.

All bits can be read using MOV A, PSW and bit 3 can be written with MOV PSW, A.

Bits 6 and 7 can be set and cleared by CPU operation. Bit 4 is changed by the SEL RB instruction, bit 3 by the MOV PSW,A instruction, and bits 0, 1 and 2 by the CALL, RET or RETR instructions and when an interrupt occurs. Bits 4, 6 and 7 are stored in the program counter stack during sub-routine and interrupt calls. These bits are restored to the PSW with RETR (return and restore) instruction.

Note: The RET instruction has no restore feature and should not be used at the end of an interrupt because this would leave any further interrupts disabled.

The MAB84X1 family has arithmetic, logical and branching capabilities. The DA A, SWAP A, and XCHD instructions simplify BCD arithmetic and the handling of nibbles. The MOVP A,@A instruction permits efficient table look up from the current ROM page.

The conditional branch logic within the processor enables several conditions, internal and external to the processor, to be tested by the user's program. Table 2 lists the conditional branch instructions used to change the program execution sequence. The DJNZ instruction decrements a designated register and branches if the contents are not zero. This instruction makes the register an efficient program loop counter. The JMPP @A instruction allows multiway branches to destinations indirectly addressed by the contents of the accumulator.



**Table 2** Conditional branches

TEST	JUMP CONDITION	JUMP INSTRUCTION
accumulator	0 or non-zero	JZ, JNZ
accumulator bit test	1	JB0 to JB7
carry flag	0 or 1	JNC, JC
timer overflow flag	1	JTF
test input INT	0 or 1	JNT0, JTO
test input T1	0 or 1	JNT1, JT1
test flag 0	1	JF0
test flag 1	1	JF1
register	non-zero	DJNZ

**RESET**

A positive-going signal on the RESET input:

- sets the program counter to zero,
- selects location 0 of memory bank 0, and register bank 0,
- sets the stack pointer to zero ('000'B); pointing to RAM address 8,
- disable the interrupts (external, timer and serial I/O),
- stops the timer/event counter, then sets it to zero,
- sets the timer prescaler to divide-by-32,
- resets the timer flag,
- sets all ports to logic '1' (input mode),
- sets the serial I/O to slave receiver mode and disables serial I/O.

Automatic reset at power-up may be obtained by connecting the RESET pin to  $V_{CC}$  through a  $1\ \mu\text{F}$  capacitor  $C$ , together with a diode to  $V_{SS}$  (cathode to RESET pin). This arrangement is satisfactory, if both the voltage ( $V_{CC}$ ) rise time and the oscillator start-up time do not exceed either 1 or 10 ms respectively.

The power-on reset circuit is shown in figure 13. At power-on the current drawn by RESET commences to charge the capacitor  $C$ . The difference between this increasing capacitor voltage and  $V_{CC}$  is known as  $V_{RESET}$ . The charging circuit is designed to hold  $V_{RESET}$  above the lower threshold of a Schmitt trigger arrangement long enough to effect a complete reset. The minimum time required; is the oscillator start-up time plus two machine cycles.

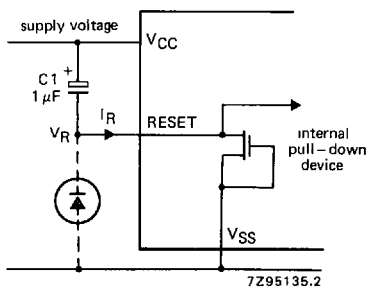


Fig. 13 Typical power-on reset circuitry.

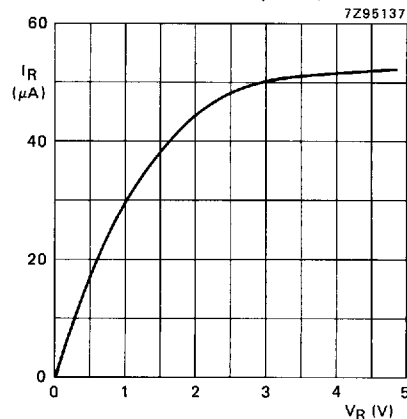


Fig. 14 Power-on reset input characteristics (typical).

**INSTRUCTION SET**

The instruction set consists of over 80 one and two byte instructions and is based on the MAB8048 instruction set. New instructions include those for serial I/O operation and memory bank selection. Program code efficiency is high because all ROM locations on a 256 byte page require only a single byte address.

Table 3 gives the instruction set of the MAB84X1 family and Table 4 shows the instruction map. The following symbols and abbreviations are used.

Note: During development of software on a PMDS or similar system, it is important to ensure that no jump instruction (direct or indirect), outreaches the final address range of the device.

symbol	description
A	the accumulator
AC	the auxiliary carry flag
addr	program memory address (11-bits)
Bb	bit designation (b = 0–7)
BS	the bank switch
C	carry flag
CLK	clock signal
CNT	event counter
D	nibble designation (4-bits)
DBF	program memory bank flip-flop
data	number or expression (8-bits)
F0, F1	flags 0 and 1
I	interrupt
INT	external interrupt
P	'in-page' operation designation
Pp	port designation (p = 1, 2 or 4–7)
PSW	program status word
Rr	register designation (r = 0, 1 or 0–7)
SP	stack pointer
T	timer
TF	timer flag
T0, T1	test 0 and 1 inputs
#	immediate data prefix
@	indirect address prefix
\$	current value of program counter
←	is replaced by
↔	is exchanged with

Table 3 MAB84XX family instruction set

mnemonic	opcode (hex.)	bytes/ cycles	description	function	notes
ADD A, Rr	6*	1/1	Add register contents to A	$(A) \leftarrow (A) + (Rr)$	$r = 0-7$
ADD A, @Rr	60 61	1/1	Add RAM data, addressed by Rr, to A	$(A) \leftarrow (A) + ((R0))$ $(A) \leftarrow (A) + ((R1))$	1
ADD A, #data	03 data	2/2	Add immediate data to A	$(A) \leftarrow (A) + \text{data}$	1
ADDC A, Rr	7*	1/1	Add carry and register contents to A	$(A) \leftarrow (A) + (Rr) + (C)$	1
ADDC A, @Rr	70 71	1/1	Add carry and RAM data, addressed by Rr, to A	$(A) \leftarrow (A) + (R0) + (C)$ $(A) \leftarrow (A) + (R1) + (C)$	1
ADDC A, #data	13 data	2/2	Add carry and immediate data to A	$(A) \leftarrow (A) + \text{data} + (C)$	1
ANL A, Rr	5*	1/1	'AND' Rr with A	$(A) \leftarrow (A) \text{ AND } (Rr)$	$r = 0-7$
ANL A, @Rr	50 51	1/1	'AND' RAM data, addressed by Rr, with A	$(A) \leftarrow (A) \text{ AND } ((R0))$ $(A) \leftarrow (A) \text{ AND } ((R1))$	
ANL A, #data	53 data	2/2	'AND' immediate data with A	$(A) \leftarrow (A) \text{ AND data}$	
ORL A, Rr	4*	1/1	'OR' Rr with A	$(A) \leftarrow (A) \text{ OR } (Rr)$	$r = 0-7$
ORL A, @Rr	40 41	1/1	'OR' RAM data, addressed by Rr, with A	$(A) \leftarrow (A) \text{ OR } ((R0))$ $(A) \leftarrow (A) \text{ OR } ((R1))$	
ORL A, #data	43 data	2/2	'OR' immediate data with A	$(A) \leftarrow (A) \text{ OR data}$	
XRL A, Rr	D*	1/1	'XOR' Rr with A	$(A) \leftarrow (A) \text{ XOR } (Rr)$	$r = 0-7$
XRL A, @Rr	D0 D1	1/1	'XOR' RAM, addressed by Rr, with A	$(A) \leftarrow (A) \text{ XOR } ((R0))$ $(A) \leftarrow (A) \text{ XOR } ((R1))$	
XRL A, #data	D3 data	2/2	'XOR' immediate data with A	$(A) \leftarrow (A) \text{ XOR data}$	
INC A	17	1/1	increment A by 1	$(A) \leftarrow (A) + 1$	
DEC A	07	1/1	decrement A by 1	$(A) \leftarrow (A) - 1$	
CLR A	27	1/1	clear A to zero	$(A) \leftarrow 0$	
CPL A	37	1/1	one's complement A	$(A) \leftarrow \text{NOT}(A)$	
RL A	E7	1/1	rotate A left	$(A_n + 1) \leftarrow (A_n)$ $(A_0) \leftarrow (A_7)$	$n = 0-6$

ACCUMULATOR

mnemonic	opcode (hex.)	bytes/ cycles	description	function	notes
ACCUMLATOR (cont.)					
RLCA	F7	1/1	rotate A left through carry	$(A_n + 1) \leftarrow A_n$ $(A_0) \leftarrow (C), (C) \leftarrow (A_7)$	n = 0-6 2
RR A	77	1/1	rotate A right	$(A_n) \leftarrow (A_n + 1)$ $(A_7) \leftarrow (A_0)$	n = 0-6 2
RRC A	67	1/1	rotate A right through carry	$(A_n) \leftarrow (A_n + 1)$ $(A_7) \leftarrow (C), (C) \leftarrow (A_0)$	n = 0-6 2
DA A	57	1/1	decimal adjust A		2
SWAP A	47	1/1	swap nibbles of A	$(A_{4-7}) \leftrightarrow (A_{0-3})$	2
MOV A, Rr	F*	1/1	move register contents to A	$(A) \leftarrow (Rr)$	r = 0-7
MOV A, @Rr	F0 F1	1/1	move RAM data, addressed by Rr, to A	$(A) \leftarrow ((R0))$ $(A) \leftarrow ((R1))$	r = 0-7
MOV A, #data	23 data	2/2	move immediate data to A	$(A) \leftarrow \text{data}$	
MOV Rr, A	A*	1/1	move accumulator contents to register	$(Rr) \leftarrow (A)$	
MOV @Rr, A	A0 A1	1/1	move accumulator contents to RAM location addressed by Rr	$((R0)) \leftarrow (A)$ $((R1)) \leftarrow (A)$	
MOV Rr, #data	B* data	2/2	move immediate data to Rr	$(Rr) \leftarrow \text{data}$	
MOV @Rr, #data	B0 data B1 data	2/2	move immediate data to RAM location addressed by Rr	$((R0)) \leftarrow \text{data}$ $((R1)) \leftarrow \text{data}$	
XCH A, Rr	2*	1/1	exchange accumulator contents with Rr	$(A) \leftrightarrow (Rr)$	r = 0-7
XCH A, @Rr	20 21	1/1	exchange accumulator contents with RAM data addressed by Rr	$(A) \leftrightarrow ((R0))$ $(A) \leftrightarrow ((R1))$	
XCHD A, @Rr	30 31	1/1	exchange lower nibbles of A and RAM data addressed by Rr	$(A_{0-3}) \leftrightarrow ((R0_{0-3}))$ $(A_{0-3}) \leftrightarrow ((R1_{0-3}))$	
MOV A, PSW	C7	1/1	move PSW contents to accumulator	$(A) \leftarrow (\text{PSW})$	
MOV PSW, A	D7	1/1	move accumulator bit 3 to PSW <sub>3</sub>	$(\text{PSW}_3) \leftarrow (A_3)$	
MOV P, A	A3	1/2	move indirectly addressed data in current page to A	$(PC_{0-7}) \leftarrow (A), (A) \leftarrow ((PC))$	3
DATA MOVES					

FLAGS	CLR C	97	1/1	clear carry bit	(C)←0	2
	CPL C	A7	1/1	complement carry bit	(C)←NOT(C)	2
REGISTER	INC Rr	1*	1/1	increment register by 1	(Rr)←(Rr) + 1	r = 0-7
	INC @Rr	10 11	1/1	increment RAM data, addressed by Rr, by 1	((R0)←((R0) + 1) (R1)←((R1) + 1)	
	DEC Rr	C*	1/1	decrement register by 1	(Rr)←(Rr) - 1	r = 0-7
	DEC @Rr	C0 C1	1/1	decrement RAM data, addressed by Rr, by 1	((R0)←((R0) - 1) (R1)←((R1) - 1)	
	JMP addr	● 4 address	2/2	unconditional jump within a 2K bank	(PC8-10)←addrg-10 (PC0-7)←addr0-7 (PC11-12)←MBFF 0-1 (PC0-7)←((A))	
BRANCH	JMPP @A	B3	1/2	indirect jump within a page	(Rr)←(Rr) - 1	r = 0-7
	DJNZ Rr, addr	E* address	2/2	decrement Rr by 1 and jump if not zero to addr	if (Rr) not zero (PC0-7)←addr	
	DJNZ @Rr, addr	E0 address	2/2	decrement RAM data, addressed by Rr, by 1 and jump if not zero to addr	((R0)←((R0) - 1) if ((R0)) not zero (PC0-7)←addr	
		E1 address			((R1)←((R1) - 1) if ((R1)) not zero (PC0-7)←addr	
		▲ 2 address	2/2	jump to addr if Acc. bit b = 1	if b = 1: (PC0-7)←addr	b = 0-7
	JBb addr	F6 address	2/2	jump to addr if C = 1	if C = 1: (PC0-7)←addr	
	JC addr	E6 address	2/2	jump to addr if C = 0	if C = 0: (PC0-7)←addr	
	JNC addr	C6 address	2/2	jump to addr if A = 0	if A = 0: (PC0-7)←addr	
	JZ addr	96 address	2/2	jump to addr if A is NOT zero	if A ≠ 0: (PC0-7)←addr	
	JNZ addr	36 address	2/2	jump to addr if T0 = 1	if T0 = 1: (PC0-7)←addr	
	JTO addr	26 address	2/2	jump to addr if T0 = 0	if T0 = 0: (PC0-7)←addr	
	JNTO addr	56 address	2/2	jump to addr if T1 = 1	if T1 = 1: (PC0-7)←addr	
	JT1 addr	46 address	2/2	jump to addr if T1 = 0	if T1 = 0: (PC0-7)←addr	
	JNT1 addr	16 address	2/2	jump to addr if Timer Flag = 1	if TF = 1: (PC0-7)←addr	4
	JTF addr	06 address	2/2	jump to addr if Timer Flag = 0	if TF = 0: (PC0-7)←addr	
JNTF addr						

mnemonic	opcode (hex.)	bytes/cycles	description	function	notes
MOV A, T	42	1/1	move timer/event counter contents to accumulator	(A) $\leftarrow$ (T)	
MOV T, A	62	1/1	move accumulator contents to timer/event counter	(T) $\leftarrow$ (A)	
STRT CNT	45	1/1	start event counter		
STRT T	55	1/1	start timer		
STOP TCNT	65	1/1	stop timer/event counter		
EN TCNTI	25	1/1	enable timer/event counter interrupt		
DIS TCNTI	35	1/1	disable timer/event counter interrupt		
EN I	05	1/1	enable external interrupt		
DIS I	15	1/1	disable external interrupt		5
SEL RBO	C5	1/1	select register bank 0	(RBS) $\leftarrow$ 0	5
SEL RB1	D5	1/1	select register bank 1	(RBS) $\leftarrow$ 1	
SEL MB0	E5	1/1	select program memory bank 0	(MBFF0) $\leftarrow$ 0, (MBFF1) $\leftarrow$ 0	
SEL MB1	F5	1/1	select program memory bank 1	(MBFF0) $\leftarrow$ 1, (MBFF1) $\leftarrow$ 0	
SEL MB2	A5	1/1	select program memory bank 2	(MBFF0) $\leftarrow$ 0, (MBFF1) $\leftarrow$ 1	
SEL MB3	B5	1/1	select program memory bank 3	(MBFF0) $\leftarrow$ 1, (MBFF1) $\leftarrow$ 1	
CALL addr	$\blacktriangle$ 4 address	2/2	jump to subroutine	((SP) $\leftarrow$ (PC), (PSW <sub>4, 6, 7</sub> ) (SP) $\leftarrow$ (SP) + 1 (PC <sub>9-10</sub> ) $\leftarrow$ addr <sub>8-10</sub> (PC <sub>0-7</sub> ) $\leftarrow$ addr <sub>0-7</sub> (PC <sub>11-12</sub> ) $\leftarrow$ MBFF <sub>0-1</sub>	6
RET	83	1/2	return from subroutine	(SP) $\leftarrow$ (SP) - 1 (PC) $\leftarrow$ ((SP))	6
RETR	93	1/2	return from interrupt and restore bits 4, 6, 7 of PSW	(SP) $\leftarrow$ (SP) - 1 (PSW <sub>4, 6, 7</sub> ) + (PC) $\leftarrow$ ((SP))	6

PARALLEL INPUT/OUTPUT	IN A, Pp	08 09 0A	1/2	input port p data to accumulator	(A)←(P0) (A)←(P1) (A)←(P2)	7	
	OUTL Pp, A	38 39 3A	1/2	output accumulator data to port p	(P0)←(A) (P1)←(A) (P2)←(A)		
	ANL Pp, #data	98 data 99 data 9A data	2/2	AND port p data with immediate data	(P0)←(P0) AND data (P1)←(P1) AND data (P2)←(P2) AND data		
	ORL Pp, #data	88 data 89 data 8A data	2/2	OR port p data with immediate data	(P0)←(P0) OR data (P1)←(P1) OR data (P2)←(P2) OR data	9	
	OUTL PO,A	90	1/2	Output accumulator data to port φ	(P0)←(A)		
	SERIAL INPUT/OUTPUT	MOV A, Sn	0C 0D	1/2	move serial I/O register contents to accumulator	(A)←(S0) (A)←(S1)	8
		MOV Sn, A	3C 3D 3E	1/2	move accumulator contents to serial I/O register	(S0)←(A) (S1)←(A) (S2)←(A)	
		MOV Sn, #data	9C data 9D data 9E data	2/2	move immediate data to serial I/O register	(S0)←data (S1)←data (S2)←data	
		EN SI	85	1/1	enable serial I/O interrupt		
		DIS SI	95	1/1	disable serial I/O interrupt		
NOP		00	1/1	no operation			

Notes to Table 3.

1. PSW CY, AC affected
2. PSW CY affected
3. PSW PS affected
4. Execution of JTF and JNTF instructions resets the Timer Flag (TF). affected
5. PSW RBS affected
6. PSW SP0, SP1, SP2 affected
7. (A) = 1111 P2.3, P2.2, P2.1, P2.0.
8. (S1) has a different meaning for read and write operation, see serial I/O interface.
9. Only for software-transfer from the MAB8021.

- \* : 8, 9, A, B, C, D, E, F
- : 0, 2, 4, 6, 8, A, C, E
- ▲ : 1, 3, 5, 7, 9, B, D, F

Table 4 MAB84X1 family instruction set

	first hexadecimal character of opcode										second hexadecimal character of opcode									
	0	1	2	3	4	5	6	7	8	9	0	1	2	3	4	5	6	7	8	9
0	NOP			ADD A, #data	JMP page 0	EN 1	JNTF addr	DEC A	0	IN A,Pp	A	B	C	D	MOV A,Sn	E	F			
1	INC @Rr		JB0 addr	ADDC A, #data	CALL page 0	DIS 1	JTF addr	INC A	0	1	2	3	4	5	INC Rr	6	7			
2	XCH A, @Rr			MOV A, #data	JMP page 1	EN TCNT1	JNT0 addr	CLR A	0	1	2	3	4	5	XCH A,Rr	6	7			
3	XCHD A, @Rr		JB1 addr		CALL page 1	DIS TCNT1	JT0 addr	CPL A	0	OUTL Pp,A	2	0	1	2	MOV Sn,A	3	4	5	6	7
4	ORL A, @Rr		MOV A, T	ORL A, #data	JMP page 2	STRT CNT	JNT1 addr	SWAP A	0	1	2	3	4	5	ORL A,Rr	6	7			
5	ANL A, @Rr		JB2 addr	ANL A, #data	CALL page 2	STRT T	JT1 addr	DA A	0	1	2	3	4	5	ANL A,Rr	6	7			
6	ADD A, @Rr		MOV T, A	JMP page 3	STOP TCNT			RRC A	0	1	2	3	4	5	ADD A,Rr	6	7			
7	ADDC A, @Rr		JB3 addr	CALL page 3				RR A	0	1	2	3	4	5	ADDC A,Rr	6	7			
8				RET	JMP page 4	EN SI			0	ORL Pp, #data	2									
9	OUTL P0, A		JB4 addr	RETR	CALL page 4	DIS SI	JNZ addr	CLR C	0	ANL Pp, #data	2			MOV Sn, #data						
A	MOV @Rr, A			MOV A, @A	JMP page 5	SEL MB2		CPL C	0	1	2	3	4	5	MOV Rr, A	6	7			
B	MOV @Rr, #data		JB5 addr	JMPP @A	CALL page 5	SEL MB3			0	1	2	3	4	5	MOV Rr, #data	6	7			
C	DEC @Rr			JMP page 6	JMP page 6	SEL RB0	JZ addr	MOV A, PSW	0	1	2	3	4	5	DEC Rr	6	7			
D	XRL A, @Rr		JB6 addr	XRL A, #data	CALL page 6	SEL RB1		MOV PSW, A	0	1	2	3	4	5	XRL A,Rr	6	7			
E	DJNZ @Rr, addr			JMP page 7	JMP page 7	SEL MB0	JNC addr	RL A	0	1	2	3	4	5	DJNZ Rr, addr	6	7			
F	MOV A, @Rr		JB7 addr	CALL page 7	CALL page 7	SEL MB1	JC addr	RLC A	0	1	2	3	4	5	MOV A, Rr	6	7			



Table 5 shows the additional MAB84X1 family instructions (including the five for serial I/O operation) that are not part of the MAB8048 instruction set.

**Table 5** MAB84X1 family instructions not in the MAB8048 instruction set

serial I/O	register	control	conditional branch
MOV A, S <sub>n</sub> MOV S <sub>n</sub> , A MOV S <sub>n</sub> , #data EN SI DIS SI	DEC @Rr DJNZ @Rr, addr	SEL MB2 SEL MB3	JNTF addr

Table 6 shows the MAB8048 instructions omitted from the MAB84X1 family instruction set.

**Table 6** MAB8048 instructions not in the MAB84X1 family instruction set

data moves	flags	branch	control
MOVX A, @R MOVX @R, A MOV P3 A, @A MOVD A, P MOVD P, A ANLD P, A ORLD P, A	CLR F0 CPL F0 CLR F1 CPL F1	* JN1 addr JF0 addr JF1 addr  * replaced by JT0 JNT0.	ENTO CLK

**ABSOLUTE MAXIMUM RATINGS**

Limiting values in accordance with the Absolute Maximum System (IEC 134)

Stress above those listed under 'Absolute maximum ratings' may cause permanent damage to the device. This is a stress rating only and functional operation of the device, at these, or any other conditions above those indicated in the operational sections of this specification is not implied. Exposure to absolute maximum rating conditions for extended periods may affect device reliability.

parameter	symbol	min.	max.	unit
Input voltage on any pin with respect to ground ( $V_{SS}$ )	$V_I$	-0,5	+7	V
Total power dissipation				
SOT-117, 28-lead DIL	$P_{tot}$	-	1	W
SOT-136, 28-lead DIL	$P_{tot}$	-	0,6	W
Input/output current for all pins except port 1	$I_I, I_O$	-	10	mA
Input/output current for port 1	$I_I, I_O$	-	20	mA
Storage temperature	$T_{stg}$	-65	+150	°C
Operating temperature				
standard	$T_{amb}$	0	+70	°C
extended	$T_{amb}$	-40	+85	°C
automotive	$T_{amb}$	-40	+110	°C



Purchase of Philips' I<sup>2</sup>C components conveys a license under the Philips' I<sup>2</sup>C patent to use the components in the I<sup>2</sup>C-system provided the system conforms to the I<sup>2</sup>C specifications defined by Philips.

## DC CHARACTERISTICS

 $V_{CC} = 5\text{ V}$  (10%);  $V_{SS} = 0\text{ V}$ ; all voltages with respect to  $V_{SS}$  unless otherwise specified

parameter	conditions	symbol	min.	max.	unit
Supply current					
MAB	0 to + 70 °C	$I_{CC}$	—	85	mA
MAF	−40 to + 85 °C	$I_{CC}$	—	100	mA
MAF84A	−40 to + 110 °C	$I_{CC}$	—	100	mA
<b>Inputs</b>					
Input voltage LOW (except P2.3 and SCLK)		$V_{IL}$	−0,5	0,8	V
Input voltage LOW (P2.3 and SCLK)		$V_{IL1}$	−0,5	1,5	V
Input voltage HIGH (all inputs except XTAL1, P2.3 and SCLK)		$V_{IH}$	2	$V_{CC}$ + 0,5	V
Input voltage HIGH (XTAL1, P2,3 and SCLK)		$V_{IH1}$	3,0	$V_{CC}$ + 0,5	V
<b>Outputs</b>					
Output voltage LOW (P0.0—P0.7)	$I_{OL} = 1,6\text{ mA}$	$V_{OL}$	—	0,45	V
Output voltage LOW (P1.0—P1.7 for 8401/11/21/41/61)	$I_{OL12} = 10\text{ mA}$	$V_{OL12}$	—	1,0	V
Output voltage LOW (P2.0—P2.2)	$I_{OL2} = 1,6\text{ mA}$	$V_{OL2}$	—	0,45	V
Output voltage LOW (P2.3, SCLK)	$I_{OL3} = 5\text{ mA}$	$V_{OL3}$	—	0,45	V
Output voltage LOW (non-standard pins of bond-out versions)	$I_{OL4} = 0,4\text{ mA}$	$V_{OL4}$	—	0,45	V
Output voltage HIGH (all outputs unless open drain)	$I_{OH} = -50\text{ }\mu\text{A}$	$V_{OH}$	2,4	—	V
Output leakage current	$V_{SS} < V_I < V_{CC}$	$\pm I_{OL}$	—	10	$\mu\text{A}$

**AC CHARACTERISTICS** (all versions except bond-out)

$V_{CC} = 5\text{ V} \pm 10\%$ ;  $V_{SS} = 0\text{ V}$ .

parameter	symbol		min.	max.	unit
Frequency	$f_{XTAL}$	MAB/MAF84X1	1	6	MHz
		MAF84AX1	1	5	MHz
Cycle time	$t_{CY}$	MAB/MAF84X1	5	30	$\mu\text{s}$
		MAF84AX1	6	30	$\mu\text{s}$

**AC CHARACTERISTICS** (bond-out versions)

$V_{CC} = 5\text{ V} \pm 10\%$ ;  $V_{SS} = 0\text{ V}$ .

parameter	symbol	min.	max.	unit
$f_{CL} = 6\text{ MHz}$				
Control pulse duration $\overline{PSEN}$ (9CP)	$t_{CC}$	1,5	9	$\mu\text{s}$
Address to $\overline{PSEN}$ L set-up (1CP)	$t_{AS}$	167	—	ns
Data to $\overline{PSEN}$ H set-up (1CP + 120 ns)	$t_{DS}$	600	—	ns
Data hold time	$t_{DR}$	0	—	ns
Address to data-in (10CP - $t_{DS}$ )	$t_{AD}$	—	1,07	$\mu\text{s}$
Time from $\overline{PSEN}$ L to C1 (3CP)	$t_{PC}$	500	—	ns
Time from $\overline{INTA}$ L to $\overline{PSEN}$ (3CP)	$t_{JP0}$	500	—	ns
Time from $\overline{INTA}$ H to $\overline{PSEN}$ (6CP)	$t_{JP1}$	1	—	$\mu\text{s}$
$\overline{HALT}$ set-up to $\overline{PSEN}$ (15CP)	$t_{HS}$	2,5	—	$\mu\text{s}$
$\overline{HALT}$ hold time from $\overline{PSEN}$ (3CP)	$t_{HH}$	500	—	ns

Note: CP = clock pulse.

**T1 ZERO-CROSS CHARACTERISTICS**

$T_{amb} = 0\text{ to } +70\text{ }^{\circ}\text{C}$ ;  $V_{CC} = 5\text{ V} \pm 10\%$ ,  $V_{SS} = 0\text{ V}$ ;  $C_L = 80\text{ pF}$

parameter	conditions	symbol	min.	max.	unit
Zero-cross detection input (T1) peak-to-peak	AC coupled, $C = 1,0\text{ }\mu\text{F}$	$V_{ZX(p-p)}$	1	3	V
Zero-cross accuracy	50 Hz sine wave	$A_{ZX}$	—	$\pm 135$	mV
Zero-cross detection input frequency (T1)		$F_{ZX}$	0,05	1	kHz

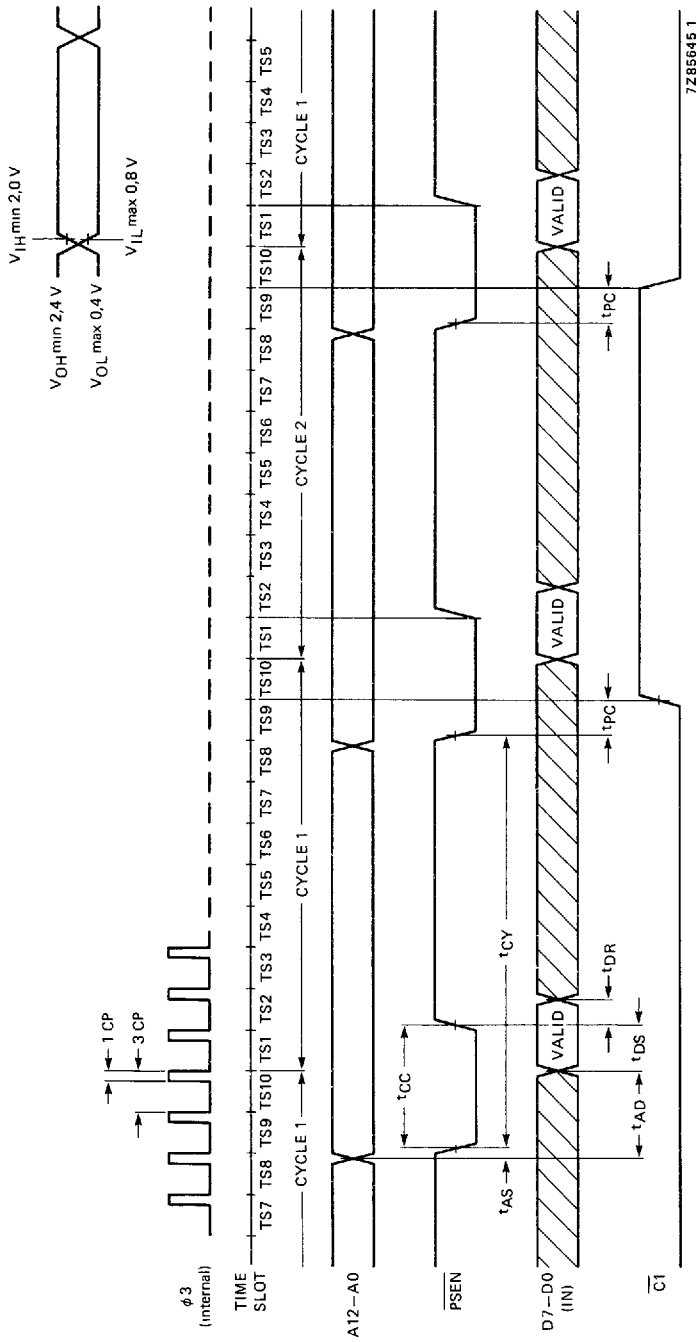
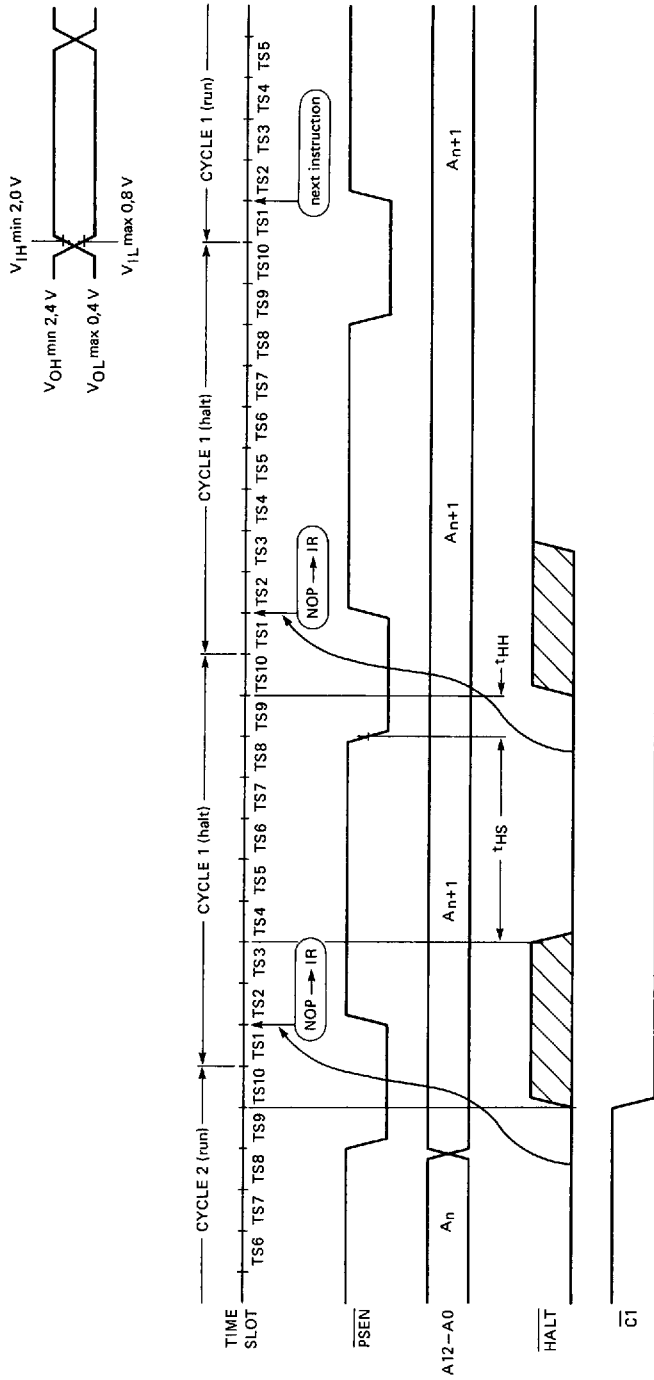


Fig. 15 Memory access timing MAB8401B/WP and I/O voltage parameters.



7285647.1

Fig. 16 HALT timing MAB8401WP and I/O voltage parameters.

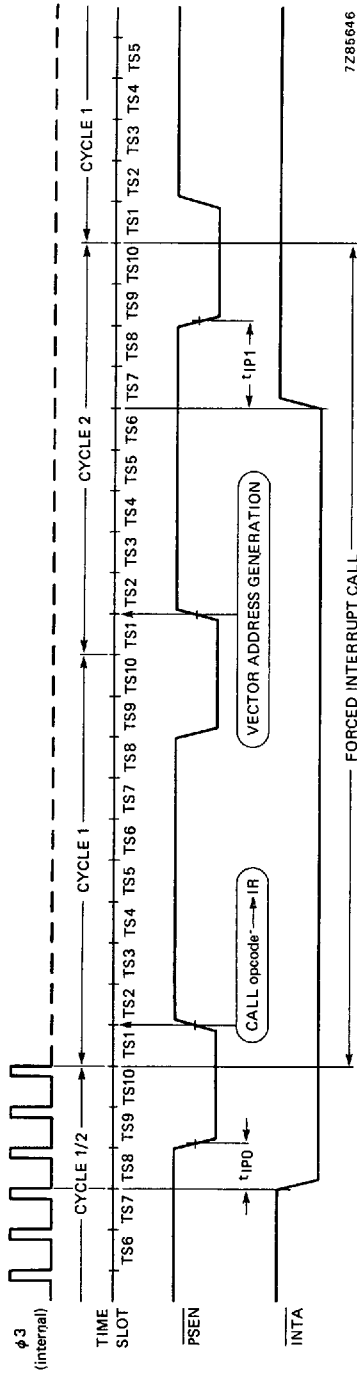


Fig. 17  $\overline{\text{INTA}}$  timing MAB8401WP.



## Стандарт Электрон Связь

Мы молодая и активно развивающаяся компания в области поставок электронных компонентов. Мы поставляем электронные компоненты отечественного и импортного производства напрямую от производителей и с крупнейших складов мира.

Благодаря сотрудничеству с мировыми поставщиками мы осуществляем комплексные и плановые поставки широчайшего спектра электронных компонентов.

Собственная эффективная логистика и склад в обеспечивает надежную поставку продукции в точно указанные сроки по всей России.

Мы осуществляем техническую поддержку нашим клиентам и предпродажную проверку качества продукции. На все поставляемые продукты мы предоставляем гарантию .

Осуществляем поставки продукции под контролем ВП МО РФ на предприятия военно-промышленного комплекса России , а также работаем в рамках 275 ФЗ с открытием отдельных счетов в уполномоченном банке. Система менеджмента качества компании соответствует требованиям ГОСТ ISO 9001.

Минимальные сроки поставки, гибкие цены, неограниченный ассортимент и индивидуальный подход к клиентам являются основой для выстраивания долгосрочного и эффективного сотрудничества с предприятиями радиоэлектронной промышленности, предприятиями ВПК и научно-исследовательскими институтами России.

С нами вы становитесь еще успешнее!

### Наши контакты:

**Телефон:** +7 812 627 14 35

**Электронная почта:** [sales@st-electron.ru](mailto:sales@st-electron.ru)

**Адрес:** 198099, Санкт-Петербург,  
Промышленная ул, дом № 19, литера Н,  
помещение 100-Н Офис 331