

# MC74AC574, MC74ACT574

## Octal D Flip-Flop with 3-State Outputs

The MC74AC574/74ACT574 is a high-speed, low power octal flip-flop with a buffered common Clock (CP) and a buffered common Output Enable ( $\overline{OE}$ ). The information presented to the D inputs is stored in the flip-flops on the LOW-to-HIGH Clock (CP) transition.

The MC74AC574/74ACT574 is functionally identical to the MC74AC374/74ACT374 except for the pinouts.

### Features

- Inputs and Outputs on Opposite Sides of Package Allowing Easy Interface with Microprocessors
- Useful as Input or Output Port for Microprocessors
- Functionally Identical to MC74AC374/74ACT374
- 3-State Outputs for Bus-Oriented Applications
- Outputs Source/Sink 24 mA
- 'ACT574 Has TTL Compatible Inputs
- Pb-Free Packages are Available

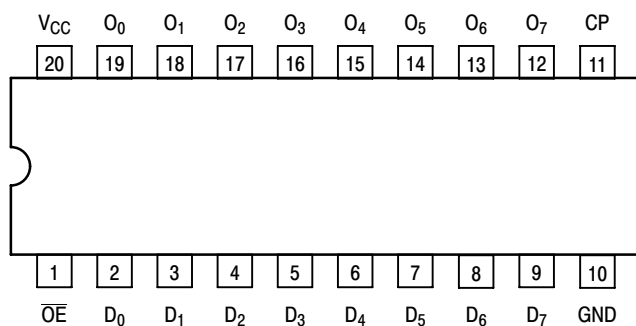


Figure 1. Pinout: 20-Lead Packages Conductors (Top View)

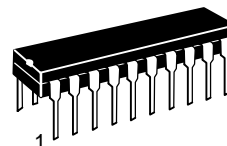
### PIN ASSIGNMENT

| PIN                            | FUNCTION                    |
|--------------------------------|-----------------------------|
| D <sub>0</sub> –D <sub>7</sub> | Data Inputs                 |
| CP                             | Clock Pulse Input           |
| $\overline{OE}$                | 3-State Output Enable Input |
| O <sub>0</sub> –O <sub>7</sub> | 3-State Outputs             |

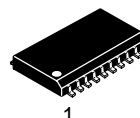


ON Semiconductor®

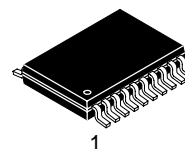
<http://onsemi.com>



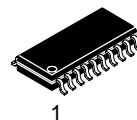
PDIP-20  
N SUFFIX  
CASE 738



SOIC-20W  
DW SUFFIX  
CASE 751D



TSSOP-20  
DT SUFFIX  
CASE 948E



SOEIAJ-20  
M SUFFIX  
CASE 967

### DEVICE MARKING INFORMATION

See general marking information in the device marking section on page 6 of this data sheet.

### ORDERING INFORMATION

See detailed ordering and shipping information in the package dimensions section on page 7 of this data sheet.

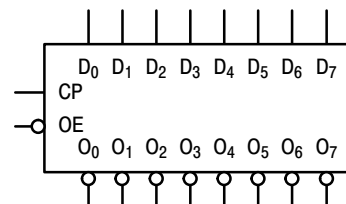


Figure 2. Logic Symbol

# MC74AC574, MC74ACT574

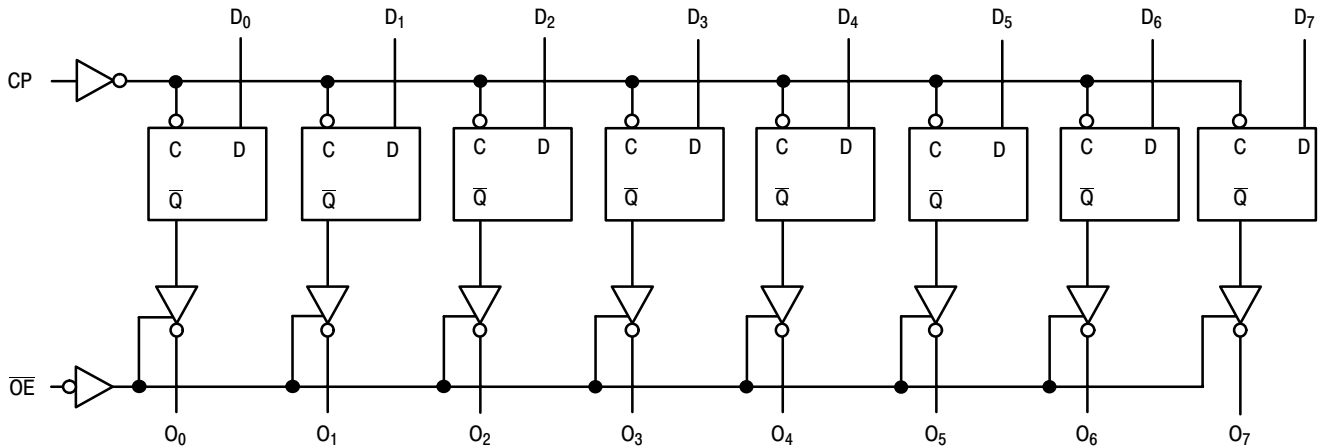
## FUNCTIONAL DESCRIPTION

The MC74AC574/74ACT574 consists of eight edge-triggered flip-flops with individual D-type inputs and 3-state true outputs. The buffered clock and buffered Output Enable are common to all flip-flops. The eight flip-flops will store the state of their individual D inputs that meet the setup and hold time requirements on the LOW-to-HIGH Clock (CP) transition. With the Output Enable ( $\overline{OE}$ ) LOW, the contents of the eight flip-flops are available at the outputs. When  $\overline{OE}$  is HIGH, the outputs go to the high impedance state. Operation of the  $\overline{OE}$  input does not affect the state of the flip-flops.

## FUNCTION TABLE

| Inputs          |             |   | Internal | Outputs | Function          |
|-----------------|-------------|---|----------|---------|-------------------|
| $\overline{OE}$ | CP          | D | Q        | $O_n$   |                   |
| H               | H           | L | NC       | Z       | Hold              |
| H               | H           | H | NC       | Z       | Hold              |
| H               | $\lrcorner$ | L | L        | Z       | Load              |
| H               | $\lrcorner$ | H | H        | Z       | Load              |
| L               | $\lrcorner$ | L | L        | L       | Data Available    |
| L               | $\lrcorner$ | H | H        | H       | Data Available    |
| L               | H           | L | NC       | NC      | No Change in Data |
| L               | H           | H | NC       | NC      | No Change in Data |

H = HIGH Voltage Level  
 L = LOW Voltage Level  
 X = Immaterial  
 Z = High Impedance  
 $\lrcorner$  = LOW-to-HIGH Clock Transition  
 NC = No Change



NOTE: This diagram is provided only for the understanding of logic operations and should not be used to estimate propagation delays.

Figure 3. Logic Diagram

## MAXIMUM RATINGS

| Symbol    | Parameter                                 | Value                  | Unit        |
|-----------|---|------------------------|-------------|
| $V_{CC}$  | DC Supply Voltage (Referenced to GND)     | -0.5 to +7.0           | V           |
| $V_{IN}$  | DC Input Voltage (Referenced to GND)      | -0.5 to $V_{CC} + 0.5$ | V           |
| $V_{OUT}$ | DC Output Voltage (Referenced to GND)     | -0.5 to $V_{CC} + 0.5$ | V           |
| $I_{IN}$  | DC Input Current, per Pin                 | $\pm 20$               | mA          |
| $I_{OUT}$ | DC Output Sink/Source Current, per Pin    | $\pm 50$               | mA          |
| $I_{CC}$  | DC $V_{CC}$ or GND Current per Output Pin | $\pm 50$               | mA          |
| $T_{stg}$ | Storage Temperature                       | -65 to +150            | $^{\circ}C$ |

Stresses exceeding Maximum Ratings may damage the device. Maximum Ratings are stress ratings only. Functional operation above the Recommended Operating Conditions is not implied. Extended exposure to stresses above the Recommended Operating Conditions may affect device reliability.

# MC74AC574, MC74ACT574

## RECOMMENDED OPERATING CONDITIONS

| Symbol                             | Parameter   | Min                     | Typ | Max             | Unit |      |
|------------------------------------|---|-------------------------|-----|-----------------|------|------|
| V <sub>CC</sub>                    | Supply Voltage  | 'AC                     | 2.0 | 5.0             | 6.0  | V    |
|                                    |   | 'ACT                    | 4.5 | 5.0             | 5.5  |      |
| V <sub>IN</sub> , V <sub>OUT</sub> | DC Input Voltage, Output Voltage (Ref. to GND)                          | 0                       | –   | V <sub>CC</sub> | V    |      |
| t <sub>r</sub> , t <sub>f</sub>    | Input Rise and Fall Time (Note 1)<br>'AC Devices except Schmitt Inputs  | V <sub>CC</sub> @ 3.0 V | –   | 150             | –    | ns/V |
|                                    |   | V <sub>CC</sub> @ 4.5 V | –   | 40              | –    |      |
|                                    |   | V <sub>CC</sub> @ 5.5 V | –   | 25              | –    |      |
| t <sub>r</sub> , t <sub>f</sub>    | Input Rise and Fall Time (Note 2)<br>'ACT Devices except Schmitt Inputs | V <sub>CC</sub> @ 4.5 V | –   | 10              | –    | ns/V |
|                                    |   | V <sub>CC</sub> @ 5.5 V | –   | 8.0             | –    |      |
| T <sub>J</sub>                     | Junction Temperature (PDIP)   | –                       | –   | 140             | °C   |      |
| T <sub>A</sub>                     | Operating Ambient Temperature Range                                     | –40                     | 25  | 85              | °C   |      |
| I <sub>OH</sub>                    | Output Current – High   | –                       | –   | –24             | mA   |      |
| I <sub>OL</sub>                    | Output Current – Low  | –                       | –   | 24              | mA   |      |

- V<sub>IN</sub> from 30% to 70% V<sub>CC</sub>; see individual Data Sheets for devices that differ from the typical input rise and fall times.
- V<sub>IN</sub> from 0.8 V to 2.0 V; see individual Data Sheets for devices that differ from the typical input rise and fall times.

## DC CHARACTERISTICS

| Symbol           | Parameter                            | V <sub>CC</sub><br>(V) | 74AC                   |                   | 74ACT                           |      | Unit | Conditions   |   |
|------------------|--------------------------------------|------------------------|------------------------|-------------------|---------------------------------|------|------|--|---|
|                  |                                      |                        | T <sub>A</sub> = +25°C |                   | T <sub>A</sub> = –40°C to +85°C |      |      |  |   |
|                  |                                      |                        | Typ                    | Guaranteed Limits |                                 |      |      |  |   |
| V <sub>IH</sub>  | Minimum High Level<br>Input Voltage  | 3.0                    | 1.5                    | 2.1               | 2.1                             |      | V    | V <sub>OUT</sub> = 0.1 V<br>or V <sub>CC</sub> – 0.1 V |   |
|                  |                                      | 4.5                    | 2.25                   | 3.15              | 3.15                            |      |      |  |   |
|                  |                                      | 5.5                    | 2.75                   | 3.85              | 3.85                            |      |      |  |   |
| V <sub>IL</sub>  | Maximum Low Level<br>Input Voltage   | 3.0                    | 1.5                    | 0.9               | 0.9                             |      | V    | V <sub>OUT</sub> = 0.1 V<br>or V <sub>CC</sub> – 0.1 V |   |
|                  |                                      | 4.5                    | 2.25                   | 1.35              | 1.35                            |      |      |  |   |
|                  |                                      | 5.5                    | 2.75                   | 1.65              | 1.65                            |      |      |  |   |
| V <sub>OH</sub>  | Minimum High Level<br>Output Voltage | 3.0                    | 2.99                   | 2.9               | 2.9                             |      | V    | I <sub>OUT</sub> = –50 μA                              |   |
|                  |                                      | 4.5                    | 4.49                   | 4.4               | 4.4                             |      |      |  |   |
|                  |                                      | 5.5                    | 5.49                   | 5.4               | 5.4                             |      |      |  |   |
|                  |                                      |                        | 3.0                    | –                 | 2.56                            | 2.46 |      | V  | *V <sub>IN</sub> = V <sub>IL</sub> or V <sub>IH</sub><br>–12 mA<br>I <sub>OH</sub> –24 mA<br>–24 mA |
|                  |                                      |                        | 4.5                    | –                 | 3.86                            | 3.76 |      |  |   |
|                  |                                      |                        | 5.5                    | –                 | 4.86                            | 4.76 |      |  |   |
|                  |                                      |                        |                        |                   |                                 |      |      |  |   |
| V <sub>OL</sub>  | Maximum Low Level<br>Output Voltage  | 3.0                    | 0.002                  | 0.1               | 0.1                             |      | V    | I <sub>OUT</sub> = 50 μA                               |   |
|                  |                                      | 4.5                    | 0.001                  | 0.1               | 0.1                             |      |      |  |   |
|                  |                                      | 5.5                    | 0.001                  | 0.1               | 0.1                             |      |      |  |   |
|                  |                                      |                        | 3.0                    | –                 | 0.36                            | 0.44 |      | V  | *V <sub>IN</sub> = V <sub>IL</sub> or V <sub>IH</sub><br>12 mA<br>I <sub>OL</sub> 24 mA<br>24 mA    |
|                  |                                      |                        | 4.5                    | –                 | 0.36                            | 0.44 |      |  |   |
|                  |                                      |                        | 5.5                    | –                 | 0.36                            | 0.44 |      |  |   |
|                  |                                      |                        |                        |                   |                                 |      |      |  |   |
| I <sub>IN</sub>  | Maximum Input<br>Leakage Current     | 5.5                    | –                      | ±0.1              | ±1.0                            |      | μA   | V <sub>I</sub> = V <sub>CC</sub> , GND                 |   |
| I <sub>OLD</sub> | †Minimum Dynamic<br>Output Current   | 5.5                    | –                      | –                 | 75                              |      | mA   | V <sub>OLD</sub> = 1.65 V Max                          |   |
| I <sub>OHD</sub> |                                      | 5.5                    | –                      | –                 | –75                             |      | mA   | V <sub>OHD</sub> = 3.85 V Min                          |   |
| I <sub>CC</sub>  | Maximum Quiescent Supply Current     | 5.5                    | –                      | 8.0               | 80                              |      | μA   | V <sub>IN</sub> = V <sub>CC</sub> or GND               |   |

\* All outputs loaded; thresholds on input associated with output under test.

† Maximum test duration 2.0 ms, one output loaded at a time.

NOTE: Note: I<sub>IN</sub> and I<sub>CC</sub> @ 3.0 V are guaranteed to be less than or equal to the respective limit @ 5.5 V V<sub>CC</sub>.

# MC74AC574, MC74ACT574

## AC CHARACTERISTICS (For Figures and Waveforms – See AND8277/D at www.onsemi.com)

| Symbol           | Parameter                                 | V <sub>CC</sub> *<br>(V) | 74AC   |        |             | 74AC  |             | Unit | Fig. No. |
|------------------|---|--------------------------|--|--------|-------------|---|-------------|------|----------|
|                  |   |                          | T <sub>A</sub> = +25°C<br>C <sub>L</sub> = 50 pF |        |             | T <sub>A</sub> = -40°C to +85°C<br>C <sub>L</sub> = 50 pF |             |      |          |
|                  |   |                          | Min  | Typ    | Max         | Min   | Max         |      |          |
| f <sub>max</sub> | Maximum Clock Frequency                   | 3.3<br>5.0               | 75<br>95   | –<br>– | –<br>–      | 60<br>85  | –<br>–      | MHz  | 3–3      |
| t <sub>PLH</sub> | Propagation Delay<br>CP to O <sub>n</sub> | 3.3<br>5.0               | 3.5<br>2.0                                       | –<br>– | 13.5<br>9.5 | 3.5<br>2.0  | 15<br>11    | ns   | 3–6      |
| t <sub>PHL</sub> | Propagation Delay<br>CP to O <sub>n</sub> | 3.3<br>5.0               | 3.5<br>2.0                                       | –<br>– | 12<br>8.5   | 3.5<br>2.0  | 13.5<br>9.5 | ns   | 3–6      |
| t <sub>PZH</sub> | Output Enable Time                        | 3.3<br>5.0               | 2.5<br>2.0                                       | –<br>– | 11<br>8.5   | 2.5<br>2.0  | 12<br>9.0   | ns   | 3–7      |
| t <sub>PZL</sub> | Output Enable Time                        | 3.3<br>5.0               | 3.0<br>1.5                                       | –<br>– | 10.5<br>8.0 | 3.5<br>2.0  | 11.5<br>9.0 | ns   | 3–8      |
| t <sub>PHZ</sub> | Output Disable Time                       | 3.3<br>5.0               | 4.0<br>2.0                                       | –<br>– | 12<br>9.5   | 4.5<br>2.0  | 13<br>10.5  | ns   | 3–7      |
| t <sub>PLZ</sub> | Output Disable Time                       | 3.3<br>5.0               | 2.0<br>1.5                                       | –<br>– | 9.0<br>7.5  | 2.5<br>1.5  | 10<br>8.5   | ns   | 3–8      |

\* Voltage Range 3.3 V is 3.3 V ±0.3 V.  
Voltage Range 5.0 V is 5.0 V ±0.5 V.

## AC OPERATING REQUIREMENTS

| Symbol         | Parameter                                       | V <sub>CC</sub> *<br>(V) | 74AC   |                    | 74AC  |  | Unit | Fig. No. |
|----------------|---|--------------------------|--|--------------------|---|--|------|----------|
|                |   |                          | T <sub>A</sub> = +25°C<br>C <sub>L</sub> = 50 pF |                    | T <sub>A</sub> = -40°C to +85°C<br>C <sub>L</sub> = 50 pF |  |      |          |
|                |   |                          | Typ  | Guaranteed Minimum |   |  |      |          |
| t <sub>s</sub> | Setup Time, HIGH or LOW<br>D <sub>n</sub> to CP | 3.3<br>5.0               | –<br>–   | 2.5<br>1.5         | 3.0<br>2.0  |  | ns   | 3–9      |
| t <sub>h</sub> | Hold Time, HIGH or LOW<br>D <sub>n</sub> to CP  | 3.3<br>5.0               | –<br>–   | 1.5<br>1.5         | 1.5<br>1.5  |  | ns   | 3–9      |
| t <sub>w</sub> | CP Pulse Width<br>HIGH or LOW                   | 3.3<br>5.0               | –<br>–   | 6.0<br>4.0         | 7.0<br>5.0  |  | ns   | 3–6      |

\* Voltage Range 3.3 V is 3.3 V ±0.3 V.  
Voltage Range 5.0 V is 5.0 V ±0.5 V.

# MC74AC574, MC74ACT574

## DC CHARACTERISTICS

| Symbol            | Parameter                              | V <sub>CC</sub><br>(V) | 74ACT                  |                   | 74ACT                           |  | Unit | Conditions  |
|-------------------|--|------------------------|------------------------|-------------------|---------------------------------|--|------|---|
|                   |  |                        | T <sub>A</sub> = +25°C |                   | T <sub>A</sub> = -40°C to +85°C |  |      |   |
|                   |  |                        | Typ                    | Guaranteed Limits |                                 |  |      |   |
| V <sub>IH</sub>   | Minimum High Level Input Voltage       | 4.5                    | 1.5                    | 2.0               | 2.0                             |  | V    | V <sub>OUT</sub> = 0.1 V<br>or V <sub>CC</sub> - 0.1 V  |
|                   |  | 5.5                    | 1.5                    | 2.0               | 2.0                             |  |      |   |
| V <sub>IL</sub>   | Maximum Low Level Input Voltage        | 4.5                    | 1.5                    | 0.8               | 0.8                             |  | V    | V <sub>OUT</sub> = 0.1 V<br>or V <sub>CC</sub> - 0.1 V  |
|                   |  | 5.5                    | 1.5                    | 0.8               | 0.8                             |  |      |   |
| V <sub>OH</sub>   | Minimum High Level Output Voltage      | 4.5                    | 4.49                   | 4.4               | 4.4                             |  | V    | I <sub>OUT</sub> = -50 μA   |
|                   |  | 5.5                    | 5.49                   | 5.4               | 5.4                             |  |      |   |
|                   |  | 4.5                    | -                      | 3.86              | 3.76                            |  | V    | *V <sub>IN</sub> = V <sub>IL</sub> or V <sub>IH</sub><br>I <sub>OH</sub> -24 mA<br>-24 mA   |
| 5.5               | -                                      | 4.86                   | 4.76                   |                   |                                 |  |      |   |
| V <sub>OL</sub>   | Maximum Low Level Output Voltage       | 4.5                    | 0.001                  | 0.1               | 0.1                             |  | V    | I <sub>OUT</sub> = 50 μA  |
|                   |  | 5.5                    | 0.001                  | 0.1               | 0.1                             |  |      |   |
|                   |  | 4.5                    | -                      | 0.36              | 0.44                            |  | V    | *V <sub>IN</sub> = V <sub>IL</sub> or V <sub>IH</sub><br>24 mA<br>I <sub>OL</sub> 24 mA   |
| 5.5               | -                                      | 0.36                   | 0.44                   |                   |                                 |  |      |   |
| I <sub>IN</sub>   | Maximum Input Leakage Current          | 5.5                    | -                      | ±0.1              | ±1.0                            |  | μA   | V <sub>I</sub> = V <sub>CC</sub> , GND  |
| ΔI <sub>CCT</sub> | Additional Max. I <sub>CC</sub> /Input | 5.5                    | 0.6                    |                   | 1.5                             |  | mA   | V <sub>I</sub> = V <sub>CC</sub> - 2.1 V  |
| I <sub>OZ</sub>   | Maximum 3-State Current                | 5.5                    | -                      | ±0.5              | ±5.0                            |  | μA   | V <sub>I</sub> (OE) = V <sub>IL</sub> , V <sub>IH</sub><br>V <sub>I</sub> = V <sub>CC</sub> , GND<br>V <sub>O</sub> = V <sub>CC</sub> , GND |
| I <sub>OLD</sub>  | †Minimum Dynamic Output Current        | 5.5                    | -                      | -                 | 75                              |  | mA   | V <sub>OLD</sub> = 1.65 V Max   |
| I <sub>OHD</sub>  |  | 5.5                    | -                      | -                 | -75                             |  | mA   | V <sub>OHD</sub> = 3.85 V Min   |
| I <sub>CC</sub>   | Maximum Quiescent Supply Current       | 5.5                    | -                      | 8.0               | 80                              |  | μA   | V <sub>IN</sub> = V <sub>CC</sub> or GND  |

\*All outputs loaded; thresholds on input associated with output under test.

†Maximum test duration 2.0 ms, one output loaded at a time.

## AC CHARACTERISTICS (For Figures and Waveforms – See AND8277/D at www.onsemi.com)

| Symbol           | Parameter                              | V <sub>CC</sub> *<br>(V) | 74ACT  |     |      | 74ACT   |      | Unit | Fig. No. |
|------------------|--|--------------------------|--|-----|------|---|------|------|----------|
|                  |  |                          | T <sub>A</sub> = +25°C<br>C <sub>L</sub> = 50 pF |     |      | T <sub>A</sub> = -40°C to +85°C<br>C <sub>L</sub> = 50 pF |      |      |          |
|                  |  |                          | Min  | Typ | Max  | Min   | Max  |      |          |
| f <sub>max</sub> | Maximum Clock Frequency                | 5.0                      | 100  | -   | -    | 85  | -    | ns   | 3-3      |
| t <sub>PLH</sub> | Propagation Delay CP to O <sub>n</sub> | 5.0                      | 2.5  | -   | 11   | 2.0   | 12   | ns   | 3-6      |
| t <sub>PHL</sub> | Propagation Delay CP to O <sub>n</sub> | 5.0                      | 2.0  | -   | 10   | 1.5   | 11   | ns   | 3-6      |
| t <sub>PZH</sub> | Output Enable Time                     | 5.0                      | 2.0  | -   | 9.5  | 1.5   | 10   | ns   | 3-7      |
| t <sub>PZL</sub> | Output Enable Time                     | 5.0                      | 2.0  | -   | 9.0  | 1.5   | 10   | ns   | 3-8      |
| t <sub>PHZ</sub> | Output Disable Time                    | 5.0                      | 2.0  | -   | 10.5 | 1.5   | 11.5 | ns   | 3-7      |
| t <sub>PLZ</sub> | Output Disable Time                    | 5.0                      | 2.0  | -   | 8.5  | 1.5   | 9.0  | ns   | 3-8      |

\*Voltage Range 5.0 V is 5.0 V ±0.5 V.

# MC74AC574, MC74ACT574

## AC OPERATING REQUIREMENTS

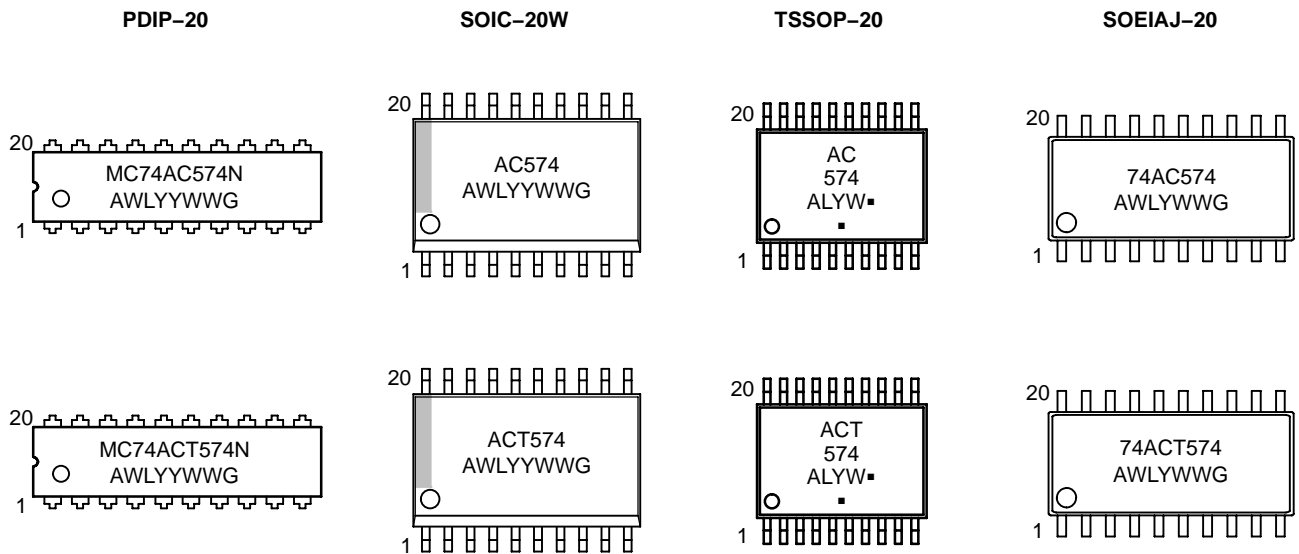
| Symbol         | Parameter                                       | V <sub>CC</sub> *<br>(V) | 74ACT  |                    | Unit | Fig. No. |   |  |
|----------------|---|--------------------------|--|--------------------|------|----------|---|--|
|                |   |                          | T <sub>A</sub> = +25°C<br>C <sub>L</sub> = 50 pF |                    |      |          | T <sub>A</sub> = -40°C to +85°C<br>C <sub>L</sub> = 50 pF |  |
|                |   |                          | Typ  | Guaranteed Minimum |      |          |   |  |
| t <sub>s</sub> | Setup Time, HIGH or LOW<br>D <sub>n</sub> to CP | 5.0                      | -  | 2.5                | 2.5  | ns       | 3-9   |  |
| t <sub>h</sub> | Hold Time, HIGH or LOW<br>D <sub>n</sub> to CP  | 5.0                      | -  | 1.0                | 1.0  | ns       | 3-9   |  |
| t <sub>w</sub> | CP Pulse Width<br>HIGH or LOW                   | 5.0                      | -  | 3.0                | 4.0  | ns       | 3-6   |  |

\*Voltage Range 3.3 V is 3.3 V ±0.3 V.  
Voltage Range 5.0 V is 5.0 V ±0.5 V.

## CAPACITANCE

| Symbol          | Parameter                     | Value Typ | Unit | Test Conditions         |
|-----------------|-------------------------------|-----------|------|-------------------------|
| C <sub>IN</sub> | Input Capacitance             | 4.5       | pF   | V <sub>CC</sub> = 5.0 V |
| C <sub>PD</sub> | Power Dissipation Capacitance | 40        | pF   | V <sub>CC</sub> = 5.0 V |

## MARKING DIAGRAMS



A = Assembly Location  
 WL, L = Wafer Lot  
 YY, Y = Year  
 WW, W = Work Week  
 G or ■ = Pb-Free Package  
 (Note: Microdot may be in either location)

## MC74AC574, MC74ACT574

### ORDERING INFORMATION

| Device          | Package                | Shipping†          |
|-----------------|------------------------|--------------------|
| MC74AC574N      | PDIP-20                | 18 Units / Rail    |
| MC74AC574NG     | PDIP-20<br>(Pb-Free)   |                    |
| MC74ACT574N     | PDIP-20                |                    |
| MC74ACT574NG    | PDIP-20<br>(Pb-Free)   |                    |
| MC74AC574DW     | SOIC-20                | 38 Units / Rail    |
| MC74AC574DWG    | SOIC-20<br>(Pb-Free)   |                    |
| MC74AC574DWR2   | SOIC-20                | 1000 / Tape & Reel |
| MC74AC574DWR2G  | SOIC-20<br>(Pb-Free)   |                    |
| MC74ACT574DW    | SOIC-20                | 38 Units / Rail    |
| MC74ACT574DWG   | SOIC-20<br>(Pb-Free)   |                    |
| MC74ACT574DWR2  | SOIC-20                | 1000 / Tape & Reel |
| MC74ACT574DWR2G | SOIC-20<br>(Pb-Free)   |                    |
| MC74AC574DTR2   | TSSOP-20*              | 2500 / Tape & Reel |
| MC74AC574DTR2G  | TSSOP-20*              |                    |
| MC74ACT574DTR2  | TSSOP-20*              | 2500 / Tape & Reel |
| MC74ACT574DTR2G | TSSOP-20*              |                    |
| MC74AC574M      | SOEIAJ-20              | 40 Units / Rail    |
| MC74AC574MG     | SOEIAJ-20<br>(Pb-Free) |                    |
| MC74AC574MEL    | SOEIAJ-20              | 2000 / Tape & Reel |
| MC74AC574MELG   | SOEIAJ-20<br>(Pb-Free) |                    |
| MC74ACT574M     | SOEIAJ-20              | 40 Units / Rail    |
| MC74ACT574MG    | SOEIAJ-20<br>(Pb-Free) |                    |
| MC74ACT574MEL   | SOEIAJ-20              | 2000 / Tape & Reel |
| MC74ACT574MELG  | SOEIAJ-20<br>(Pb-Free) |                    |

†For information on tape and reel specifications, including part orientation and tape sizes, please refer to our Tape and Reel Packaging Specifications Brochure, BRD8011/D.

\*These packages are inherently Pb-Free.

# MC74AC574, MC74ACT574

## PACKAGE DIMENSIONS

PDIP-20  
N SUFFIX  
PLASTIC DIP PACKAGE  
CASE 738-03  
ISSUE E



- NOTES:
1. DIMENSIONING AND TOLERANCING PER ANSI Y14.5M, 1982.
  2. CONTROLLING DIMENSION: INCH.
  3. DIMENSION L TO CENTER OF LEAD WHEN FORMED PARALLEL.
  4. DIMENSION B DOES NOT INCLUDE MOLD FLASH.

| DIM | INCHES    |       | MILLIMETERS |       |
|-----|-----------|-------|-------------|-------|
|     | MIN       | MAX   | MIN         | MAX   |
| A   | 1.010     | 1.070 | 25.66       | 27.17 |
| B   | 0.240     | 0.260 | 6.10        | 6.60  |
| C   | 0.150     | 0.180 | 3.81        | 4.57  |
| D   | 0.015     | 0.022 | 0.39        | 0.55  |
| E   | 0.050 BSC |       | 1.27 BSC    |       |
| F   | 0.050     | 0.070 | 1.27        | 1.77  |
| G   | 0.100 BSC |       | 2.54 BSC    |       |
| J   | 0.008     | 0.015 | 0.21        | 0.38  |
| K   | 0.110     | 0.140 | 2.80        | 3.55  |
| L   | 0.300 BSC |       | 7.62 BSC    |       |
| M   | 0°        | 15°   | 0°          | 15°   |
| N   | 0.020     | 0.040 | 0.51        | 1.01  |

SOIC-20W  
DW SUFFIX  
CASE 751D-05  
ISSUE G



- NOTES:
1. DIMENSIONS ARE IN MILLIMETERS.
  2. INTERPRET DIMENSIONS AND TOLERANCES PER ASME Y14.5M, 1994.
  3. DIMENSIONS D AND E DO NOT INCLUDE MOLD PROTRUSION.
  4. MAXIMUM MOLD PROTRUSION 0.15 PER SIDE.
  5. DIMENSION B DOES NOT INCLUDE DAMBAR PROTRUSION. ALLOWABLE PROTRUSION SHALL BE 0.13 TOTAL IN EXCESS OF B DIMENSION AT MAXIMUM MATERIAL CONDITION.

| DIM | MILLIMETERS |       |
|-----|-------------|-------|
|     | MIN         | MAX   |
| A   | 2.35        | 2.65  |
| A1  | 0.10        | 0.25  |
| B   | 0.35        | 0.49  |
| C   | 0.23        | 0.32  |
| D   | 12.65       | 12.95 |
| E   | 7.40        | 7.60  |
| e   | 1.27 BSC    |       |
| H   | 10.05       | 10.55 |
| h   | 0.25        | 0.75  |
| L   | 0.50        | 0.90  |
| θ   | 0°          | 7°    |



# MC74AC574, MC74ACT574

## PACKAGE DIMENSIONS

TSSOP-20  
DT SUFFIX  
CASE 948E-02  
ISSUE C

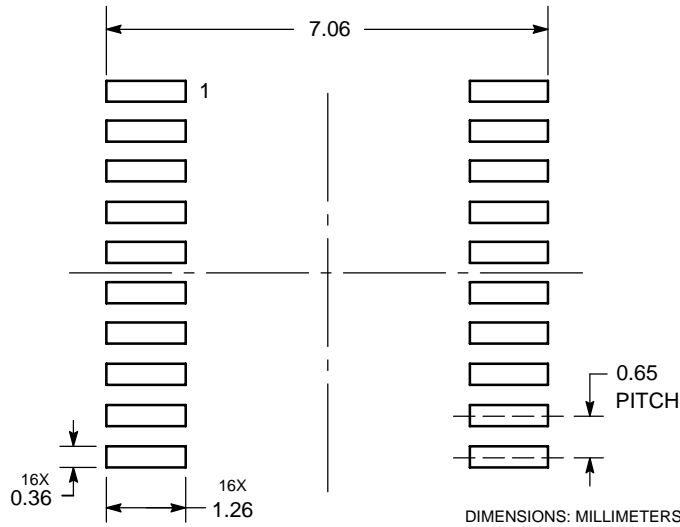


**NOTES:**

1. DIMENSIONING AND TOLERANCING PER ANSI Y14.5M, 1982.
2. CONTROLLING DIMENSION: MILLIMETER.
3. DIMENSION A DOES NOT INCLUDE MOLD FLASH, PROTRUSIONS OR GATE BURRS. MOLD FLASH OR GATE BURRS SHALL NOT EXCEED 0.15 (0.006) PER SIDE.
4. DIMENSION B DOES NOT INCLUDE INTERLEAD FLASH OR PROTRUSION. INTERLEAD FLASH OR PROTRUSION SHALL NOT EXCEED 0.25 (0.010) PER SIDE.
5. DIMENSION K DOES NOT INCLUDE DAMBAR PROTRUSION. ALLOWABLE DAMBAR PROTRUSION SHALL BE 0.08 (0.003) TOTAL IN EXCESS OF THE K DIMENSION AT MAXIMUM MATERIAL CONDITION.
6. TERMINAL NUMBERS ARE SHOWN FOR REFERENCE ONLY.
7. DIMENSION A AND B ARE TO BE DETERMINED AT DATUM PLANE -W-.

| DIM | MILLIMETERS |      | INCHES    |       |
|-----|-------------|------|-----------|-------|
|     | MIN         | MAX  | MIN       | MAX   |
| A   | 6.40        | 6.60 | 0.252     | 0.260 |
| B   | 4.30        | 4.50 | 0.169     | 0.177 |
| C   | ---         | 1.20 | ---       | 0.047 |
| D   | 0.05        | 0.15 | 0.002     | 0.006 |
| F   | 0.50        | 0.75 | 0.020     | 0.030 |
| G   | 0.65 BSC    |      | 0.026 BSC |       |
| H   | 0.27        | 0.37 | 0.011     | 0.015 |
| J   | 0.09        | 0.20 | 0.004     | 0.008 |
| J1  | 0.09        | 0.16 | 0.004     | 0.006 |
| K   | 0.19        | 0.30 | 0.007     | 0.012 |
| K1  | 0.19        | 0.25 | 0.007     | 0.010 |
| L   | 6.40 BSC    |      | 0.252 BSC |       |
| M   | 0°          | 8°   | 0°        | 8°    |

### SOLDERING FOOTPRINT\*

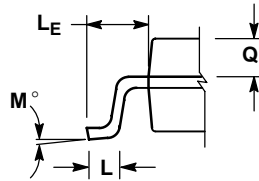
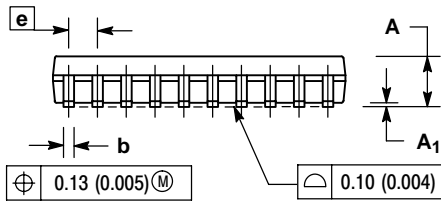


\*For additional information on our Pb-Free strategy and soldering details, please download the ON Semiconductor Soldering and Mounting Techniques Reference Manual, SOLDERRM/D.

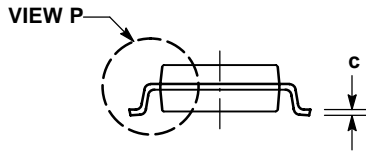
# MC74AC574, MC74ACT574

## PACKAGE DIMENSIONS

SOEIAJ-20  
M SUFFIX  
CASE 967-01  
ISSUE A



DETAIL P



NOTES:

1. DIMENSIONING AND TOLERANCING PER ANSI Y14.5M, 1982.
2. CONTROLLING DIMENSION: MILLIMETER.
3. DIMENSIONS D AND E DO NOT INCLUDE MOLD FLASH OR PROTRUSIONS AND ARE MEASURED AT THE PARTING LINE. MOLD FLASH OR PROTRUSIONS SHALL NOT EXCEED 0.15 (0.006) PER SIDE.
4. TERMINAL NUMBERS ARE SHOWN FOR REFERENCE ONLY.
5. THE LEAD WIDTH DIMENSION (b) DOES NOT INCLUDE DAMBAR PROTRUSION. ALLOWABLE DAMBAR PROTRUSION SHALL BE 0.08 (0.003) TOTAL IN EXCESS OF THE LEAD WIDTH DIMENSION AT MAXIMUM MATERIAL CONDITION. DAMBAR CANNOT BE LOCATED ON THE LOWER RADIUS OR THE FOOT. MINIMUM SPACE BETWEEN PROTRUSIONS AND ADJACENT LEAD TO BE 0.46 (0.018).

| DIM            | MILLIMETERS |       | INCHES    |       |
|----------------|-------------|-------|-----------|-------|
|                | MIN         | MAX   | MIN       | MAX   |
| A              | ---         | 2.05  | ---       | 0.081 |
| A <sub>1</sub> | 0.05        | 0.20  | 0.002     | 0.008 |
| b              | 0.35        | 0.50  | 0.014     | 0.020 |
| c              | 0.15        | 0.25  | 0.006     | 0.010 |
| D              | 12.35       | 12.80 | 0.486     | 0.504 |
| E              | 5.10        | 5.45  | 0.201     | 0.215 |
| e              | 1.27 BSC    |       | 0.050 BSC |       |
| H <sub>E</sub> | 7.40        | 8.20  | 0.291     | 0.323 |
| L              | 0.50        | 0.85  | 0.020     | 0.033 |
| L <sub>E</sub> | 1.10        | 1.50  | 0.043     | 0.059 |
| M              | 0°          | 10°   | 0°        | 10°   |
| Q <sub>1</sub> | 0.70        | 0.90  | 0.028     | 0.035 |
| Z              | ---         | 0.81  | ---       | 0.032 |

**ON Semiconductor** and **ON** are registered trademarks of Semiconductor Components Industries, LLC (SCILLC). SCILLC reserves the right to make changes without further notice to any products herein. SCILLC makes no warranty, representation or guarantee regarding the suitability of its products for any particular purpose, nor does SCILLC assume any liability arising out of the application or use of any product or circuit, and specifically disclaims any and all liability, including without limitation special, consequential or incidental damages. "Typical" parameters which may be provided in SCILLC data sheets and/or specifications can and do vary in different applications and actual performance may vary over time. All operating parameters, including "Typicals" must be validated for each customer application by customer's technical experts. SCILLC does not convey any license under its patent rights nor the rights of others. SCILLC products are not designed, intended, or authorized for use as components in systems intended for surgical implant into the body, or other applications intended to support or sustain life, or for any other application in which the failure of the SCILLC product could create a situation where personal injury or death may occur. Should Buyer purchase or use SCILLC products for any such unintended or unauthorized application, Buyer shall indemnify and hold SCILLC and its officers, employees, subsidiaries, affiliates, and distributors harmless against all claims, costs, damages, and expenses, and reasonable attorney fees arising out of, directly or indirectly, any claim of personal injury or death associated with such unintended or unauthorized use, even if such claim alleges that SCILLC was negligent regarding the design or manufacture of the part. SCILLC is an Equal Opportunity/Affirmative Action Employer. This literature is subject to all applicable copyright laws and is not for resale in any manner.

### PUBLICATION ORDERING INFORMATION

**LITERATURE FULFILLMENT:**  
Literature Distribution Center for ON Semiconductor  
P.O. Box 5163, Denver, Colorado 80217 USA  
**Phone:** 303-675-2175 or 800-344-3860 Toll Free USA/Canada  
**Fax:** 303-675-2176 or 800-344-3867 Toll Free USA/Canada  
**Email:** orderlit@onsemi.com

**N. American Technical Support:** 800-282-9855 Toll Free USA/Canada  
**Europe, Middle East and Africa Technical Support:**  
Phone: 421 33 790 2910  
**Japan Customer Focus Center**  
Phone: 81-3-5773-3850

**ON Semiconductor Website:** [www.onsemi.com](http://www.onsemi.com)  
**Order Literature:** <http://www.onsemi.com/orderlit>

For additional information, please contact your local Sales Representative



## Стандарт Электрон Связь

Мы молодая и активно развивающаяся компания в области поставок электронных компонентов. Мы поставляем электронные компоненты отечественного и импортного производства напрямую от производителей и с крупнейших складов мира.

Благодаря сотрудничеству с мировыми поставщиками мы осуществляем комплексные и плановые поставки широчайшего спектра электронных компонентов.

Собственная эффективная логистика и склад в обеспечивает надежную поставку продукции в точно указанные сроки по всей России.

Мы осуществляем техническую поддержку нашим клиентам и предпродажную проверку качества продукции. На все поставляемые продукты мы предоставляем гарантию .

Осуществляем поставки продукции под контролем ВП МО РФ на предприятия военно-промышленного комплекса России , а также работаем в рамках 275 ФЗ с открытием отдельных счетов в уполномоченном банке. Система менеджмента качества компании соответствует требованиям ГОСТ ISO 9001.

Минимальные сроки поставки, гибкие цены, неограниченный ассортимент и индивидуальный подход к клиентам являются основой для выстраивания долгосрочного и эффективного сотрудничества с предприятиями радиоэлектронной промышленности, предприятиями ВПК и научно-исследовательскими институтами России.

С нами вы становитесь еще успешнее!

### Наши контакты:

**Телефон:** +7 812 627 14 35

**Электронная почта:** [sales@st-electron.ru](mailto:sales@st-electron.ru)

**Адрес:** 198099, Санкт-Петербург,  
Промышленная ул, дом № 19, литера Н,  
помещение 100-Н Офис 331