



# 200mA/250mA/300mA Current-Limit Switches

MAX4789-MAX4794

## General Description

The MAX4789-MAX4794 family of switches feature internal current limiting to prevent damage to host devices due to faulty load conditions. These analog switches have a low  $0.2\Omega$  on-resistance and operate from 2.3V to 5.5V input voltage range. They are available with guaranteed 200mA, 250mA, and 300mA current limits, making them ideal for SDIO and other load switching applications.

When the switch is on and a load is connected to the port, a guaranteed blanking time of 14ms ensures that the transient voltages settle down. If after this blanking time the load current is greater than the current limit, the MAX4789, MAX4791, and MAX4793 enter a latch-off state where the switch is turned off and  $\overline{\text{FLAG}}$  is issued to the microprocessor. The switch can be turned on again by cycling the power or the ON pin.

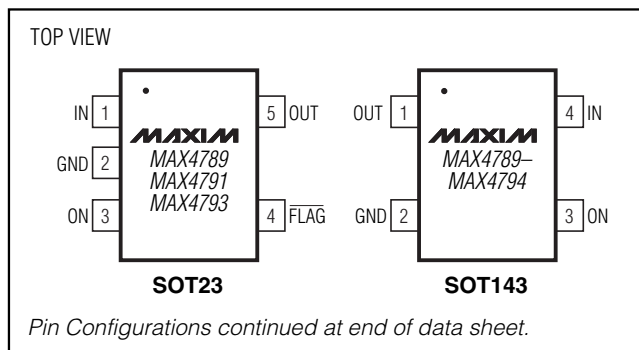
The MAX4790, MAX4792, and MAX4794 have an autoretry feature where the switch turns off after the blanking time and then continuously checks to see if the overload condition is present. The switch remains on after the overload condition disappears.

The MAX4789-MAX4794 are available in 6-pin 3mm x 3mm TDFN and tiny space-saving 4-pin SOT143 packages. The MAX4789/MAX4791/MAX4793 are also available in a tiny 5-pin SOT23 package. For lower current limiting switches, refer to the MAX4785-MAX4788 data sheet.

## Applications

PDA's and Palmtop Devices  
Cell Phones  
GPS Systems  
Hand-Held Devices  
SDIO

## Pin Configurations



## Features

- ◆ Guaranteed Current Limit: 200mA, 250mA, 300mA
- ◆ Thermal-Shutdown Protection
- ◆ Reverse Current Protection
- ◆  $0.2\Omega$  On-Resistance
- ◆ 14ms Guaranteed Blanking Time
- ◆  $\overline{\text{FLAG}}$  Function (MAX4789/MAX4791/MAX4793)
- ◆ 80 $\mu$ A Supply Current
- ◆ 8 $\mu$ A Latch-Off Current (MAX4789/MAX4791/MAX4793)
- ◆ 0.01 $\mu$ A Shutdown Current
- ◆ 2.3V to 5.5V Supply Range
- ◆ Undervoltage Lockout
- ◆ Fast Current-Limit Response Time (5 $\mu$ s)
- ◆ TDFN and SOT23/SOT143 Packages

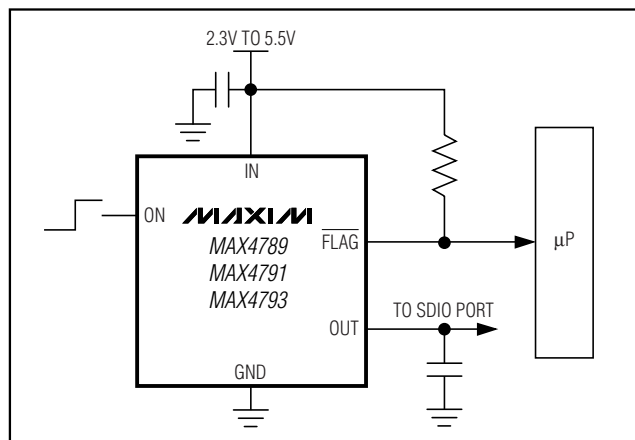
## Ordering Information

| PART         | TEMP RANGE     | PIN-PACKAGE | TOP MARK |
|--------------|----------------|-------------|----------|
| MAX4789EUS-T | -40°C to +85°C | 4 SOT143-4  | KAFE     |
| MAX4789EUK-T | -40°C to +85°C | 5 SOT23-5   | AEAC     |
| MAX4789ETT   | -40°C to +85°C | 6 TDFN-EP*  | ABO      |
| MAX4790EUS-T | -40°C to +85°C | 4 SOT143-4  | KAFF     |
| MAX4790ETT   | -40°C to +85°C | 6 TDFN-EP   | ABP      |

\*EP = Exposed pad.

Ordering Information continued at end of data sheet.  
Selector Guide appears at end of data sheet.

## Typical Operating Circuit



# 200mA/250mA/300mA Current-Limit Switches

## ABSOLUTE MAXIMUM RATINGS

IN, ON,  $\overline{\text{FLAG}}$ , OUT to GND .....-0.3V to +6V  
 OUT Short Circuit to GND .....Internally Limited  
 Continuous Power Dissipation ( $T_A = +70^\circ\text{C}$ )  
 4-Pin SOT143 (derate 4.0mW/ $^\circ\text{C}$  above +70 $^\circ\text{C}$ ).....320mW  
 5-Pin SOT23 (derate 7.1mW/ $^\circ\text{C}$  above +70 $^\circ\text{C}$ ).....571mW  
 6-Pin TDFN (derate 24.4mW/ $^\circ\text{C}$  above +70 $^\circ\text{C}$ ).....1951.2mW

Operating Temperature Range .....-40 $^\circ\text{C}$  to +85 $^\circ\text{C}$   
 Junction Temperature .....+150 $^\circ\text{C}$   
 Storage Temperature Range .....-65 $^\circ\text{C}$  to +150 $^\circ\text{C}$   
 Lead Temperature (soldering, 10s) .....+300 $^\circ\text{C}$

*Stresses beyond those listed under "Absolute Maximum Ratings" may cause permanent damage to the device. These are stress ratings only, and functional operation of the device at these or any other conditions beyond those indicated in the operational sections of the specifications is not implied. Exposure to absolute maximum rating conditions for extended periods may affect device reliability.*

## ELECTRICAL CHARACTERISTICS

( $V_{IN} = 2.3\text{V}$  to  $5.5\text{V}$ ,  $T_A = -40^\circ\text{C}$  to  $+85^\circ\text{C}$ , unless otherwise noted. Typical values are at  $V_{IN} = 3.3\text{V}$ ,  $T_A = +25^\circ\text{C}$ .) (Note 1)

| PARAMETER  | SYMBOL      | CONDITIONS   | MIN | TYP  | MAX | UNITS            |
|--|-------------|--|-----|------|-----|------------------|
| Operating Voltage                                    | $V_{IN}$    |  | 2.3 |      | 5.5 | V                |
| Quiescent Current                                    | $I_Q$       | $V_{ON} = V_{IN}$ , $I_{OUT} = 0$ ,<br>switch on                                       |     | 80   | 120 | $\mu\text{A}$    |
|  |             | $V_{IN} = +2.3\text{V}$ to $+5.0\text{V}$<br>$V_{IN} = +5.0\text{V}$ to $+5.5\text{V}$ |     |      | 160 |                  |
| Latch-Off Current (Note 2)                           | $I_{LATCH}$ | $V_{ON} = V_{IN}$ , after an overcurrent fault<br>(MAX4789/MAX4791/MAX4793)            |     | 8    | 15  | $\mu\text{A}$    |
| Shutdown Current                                     | $I_{SHDN}$  | $V_{ON} = 0\text{V}$   |     | 0.01 | 1   | $\mu\text{A}$    |
| Forward Current Limit                                |             | MAX4789/MAX4790  | 200 |      | 300 | mA               |
|  |             | MAX4791/MAX4792  | 250 |      | 375 |                  |
|  |             | MAX4793/MAX4794  | 300 |      | 450 |                  |
| Reverse Current Limit                                |             | MAX4789/MAX4790  |     |      | 300 | mA               |
|  |             | MAX4791/MAX4792  |     |      | 375 |                  |
|  |             | MAX4793/MAX4794  |     |      | 450 |                  |
| ON Input Leakage                                     |             | $V_{ON} = V_{IN}$ or GND   | -1  |      | +1  | $\mu\text{A}$    |
| Off Switch Leakage                                   |             | $V_{ON} = 0\text{V}$ , $V_{OUT} = 0\text{V}$   |     | 0.01 | 1   | $\mu\text{A}$    |
| Undervoltage Lockout                                 | UVLO        | Rising edge  | 1.8 |      | 2.2 | V                |
| Undervoltage Lockout Hysteresis                      |             |  |     | 100  |     | mV               |
| On-Resistance  | $R_{ON}$    | $T_A = +25^\circ\text{C}$ , $I_{OUT} = 100\text{mA}$                                   |     | 0.2  | 0.4 | $\Omega$         |
|  |             | $T_A = -40^\circ\text{C}$ to $+85^\circ\text{C}$ , $I_{OUT} = 100\text{mA}$            |     |      | 0.5 |                  |
| ON Input Logic High Voltage                          | $V_{IH}$    |  | 2.0 |      |     | V                |
| ON Input Logic Low Voltage                           | $V_{IL}$    |  |     |      | 0.8 | V                |
| $\overline{\text{FLAG}}$ Output Logic Low Voltage    |             | $I_{SINK} = 1\text{mA}$ (MAX4789/MAX4791/MAX4793)                                      |     |      | 0.4 | V                |
| $\overline{\text{FLAG}}$ Output High Leakage Current |             | $V_{IN} = V_{\overline{\text{FLAG}}} = 5.5\text{V}$<br>(MAX4789/MAX4791/MAX4793)       |     |      | 1   | $\mu\text{A}$    |
| Thermal Shutdown                                     |             |  |     | 150  |     | $^\circ\text{C}$ |
| Thermal-Shutdown Hysteresis                          |             |  |     | 15   |     | $^\circ\text{C}$ |
| <b>DYNAMIC</b>                                       |             |  |     |      |     |                  |
| Turn-On Time (Note 3)                                |             | $V_{ON}$ from low to high; $I_{OUT} = 10\text{mA}$ ,<br>$C_L = 0.1\mu\text{F}$         |     | 100  |     | $\mu\text{s}$    |
| Turn-Off Time (Note 3)                               |             | $V_{ON}$ from high to low; $I_{OUT} = 10\text{mA}$ ,<br>$C_L = 0.1\mu\text{F}$         |     | 40   |     | ns               |

# 200mA/250mA/300mA Current-Limit Switches

## ELECTRICAL CHARACTERISTICS (continued)

( $V_{IN} = 2.3V$  to  $5.5V$ ,  $T_A = -40^\circ C$  to  $+85^\circ C$ , unless otherwise noted. Typical values are at  $V_{IN} = 3.3V$ ,  $T_A = +25^\circ C$ .) (Note 1)

| PARAMETER                                 | SYMBOL             | CONDITIONS  | MIN | TYP | MAX | UNITS |
|---|--------------------|---|-----|-----|-----|-------|
| Blanking Time                             | t <sub>BLANK</sub> | Overcurrent fault (Figures 2, 3)                        | 14  |     | 60  | ms    |
| Short-Circuit Current-Limit Response Time |                    | $V_{ON} = V_{IN} = 3.3V$ , short circuit applied to OUT |     | 5   |     | μs    |
| Retry Time (Note 4)                       | t <sub>RETRY</sub> | MAX4790/MAX4792/MAX4794 (Figure 2)                      | 98  |     | 420 | ms    |

**Note 1:** All parts are 100% tested at  $+25^\circ C$ . Limits across the full temperature range are guaranteed by design and correlation.

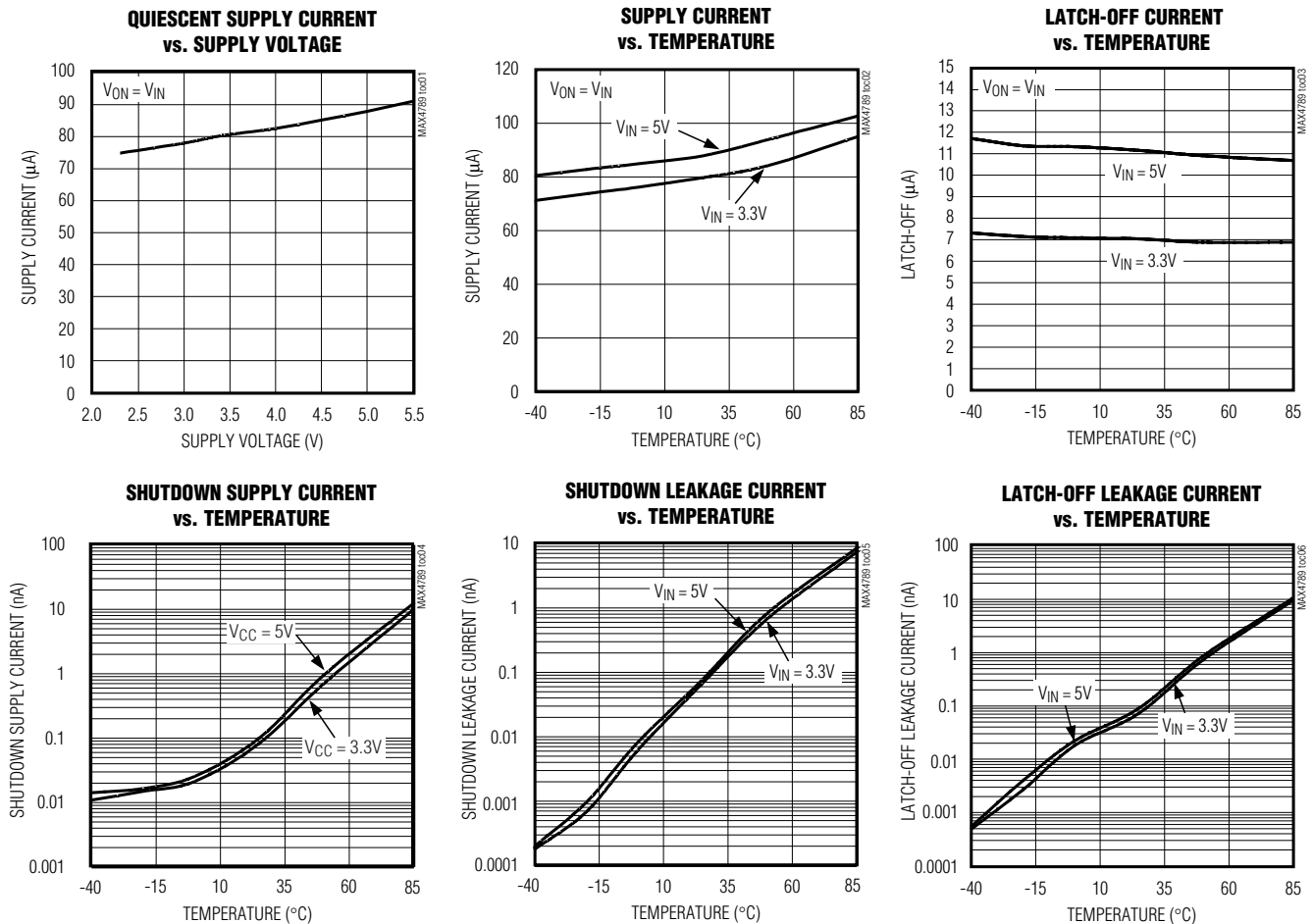
**Note 2:** Latch-off current does not include the current flowing into FLAG.

**Note 3:** The on time is defined as the time taken for the current through the switch to go from 0mA to full load. The off-time is defined as the time taken for the current through the switch to go from full load to 0mA.

**Note 4:** Retry time is typically 7 times the blanking time.

## Typical Operating Characteristics

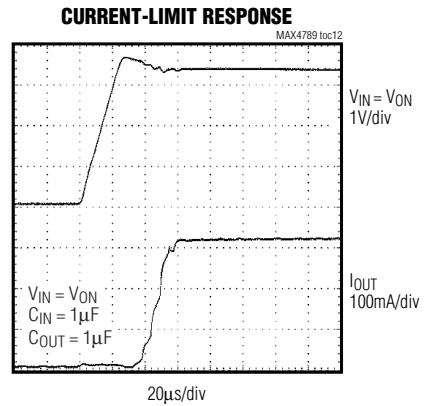
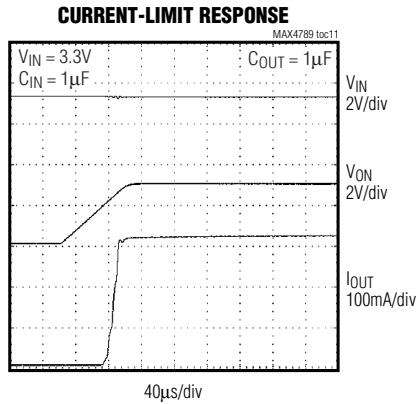
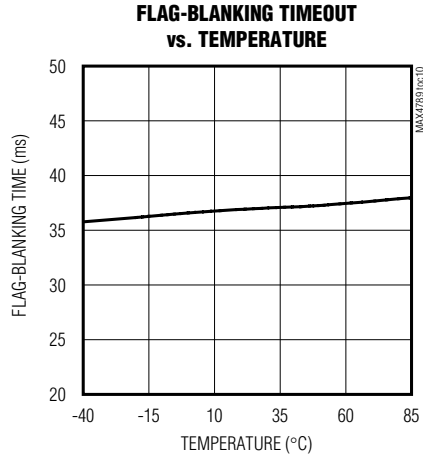
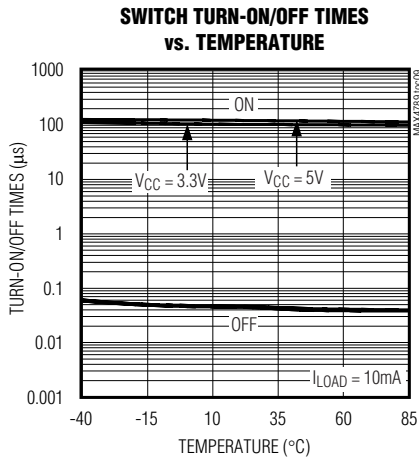
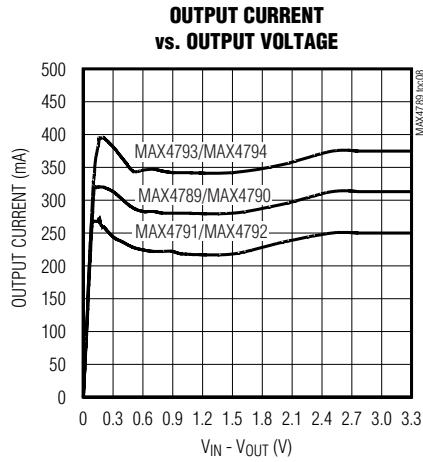
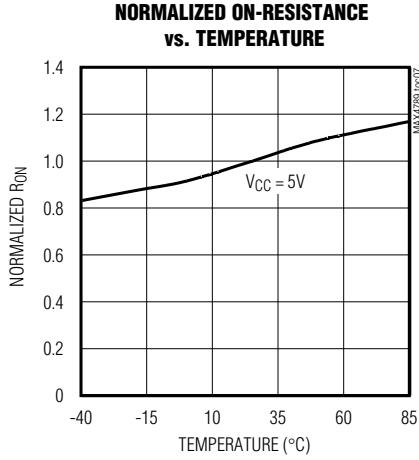
( $V_{IN} = 3.3V$ ,  $T_A = +25^\circ C$ , unless otherwise noted.)



# 200mA/250mA/300mA Current-Limit Switches

## Typical Operating Characteristics (continued)

( $V_{IN} = 3.3V$ ,  $T_A = +25^\circ C$ , unless otherwise noted.)



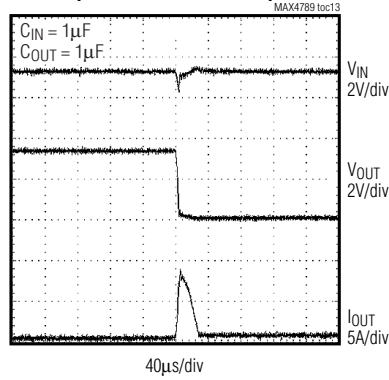
# 200mA/250mA/300mA Current-Limit Switches

MAX4789-MAX4794

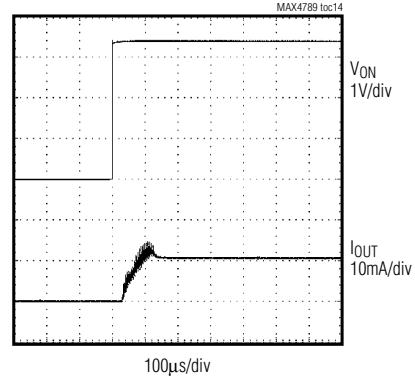
## Typical Operating Characteristics (continued)

( $V_{IN} = 3.3V$ ,  $T_A = +25^\circ C$ , unless otherwise noted.)

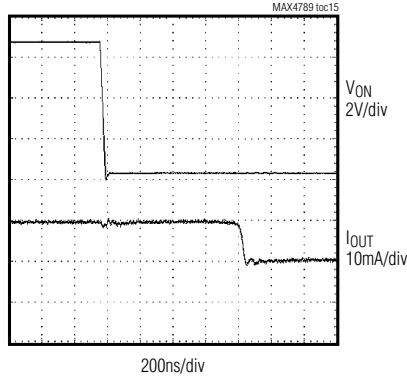
**CURRENT-LIMIT RESPONSE  
(OUT SHORTED TO GND)**



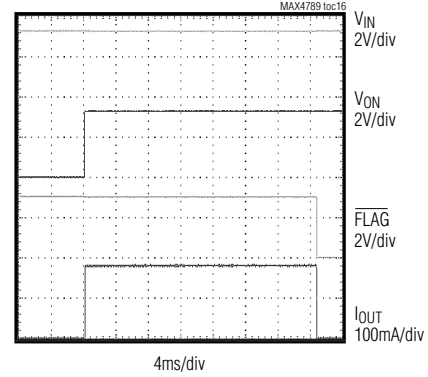
**SWITCH TURN-ON TIME RESPONSE**



**SWITCH TURN-OFF TIME RESPONSE**



**FLAG-BLANKING RESPONSE**



## Pin Description

| PIN                                   |                                       |  |                                 | NAME | FUNCTION  |
|---------------------------------------|---------------------------------------|--|---------------------------------|------|---|
| TDFN<br>MAX4789<br>MAX4791<br>MAX4793 | TDFN<br>MAX4790<br>MAX4792<br>MAX4794 | 5-SOT23<br>MAX4789<br>MAX4791<br>MAX4793 | 4-SOT143<br>MAX4789-<br>MAX4794 |      |   |
| 1                                     | —                                     | 4  | —                               | FLAG | Fault Output. This open-drain output goes low when the device stays in forward or reverse current limit for more than the blanking time period. FLAG is high impedance when a fault is not present or when ON is low. |
| 2                                     | 2                                     | 2  | 2                               | GND  | Ground  |
| 3                                     | 3                                     | 3  | 3                               | ON   | Active-High Switch On Input. A logic high turns the switch on.  |
| 4                                     | 1, 4                                  | —  | —                               | N.C. | No Connection. Not internally connected.  |
| 5                                     | 5                                     | 1  | 4                               | IN   | Input. Bypass with a 0.1µF ceramic capacitor to ground.   |
| 6                                     | 6                                     | 5  | 1                               | OUT  | Switch Output. Bypass with a 0.1µF ceramic capacitor to ground.   |

## 200mA/250mA/300mA Current-Limit Switches

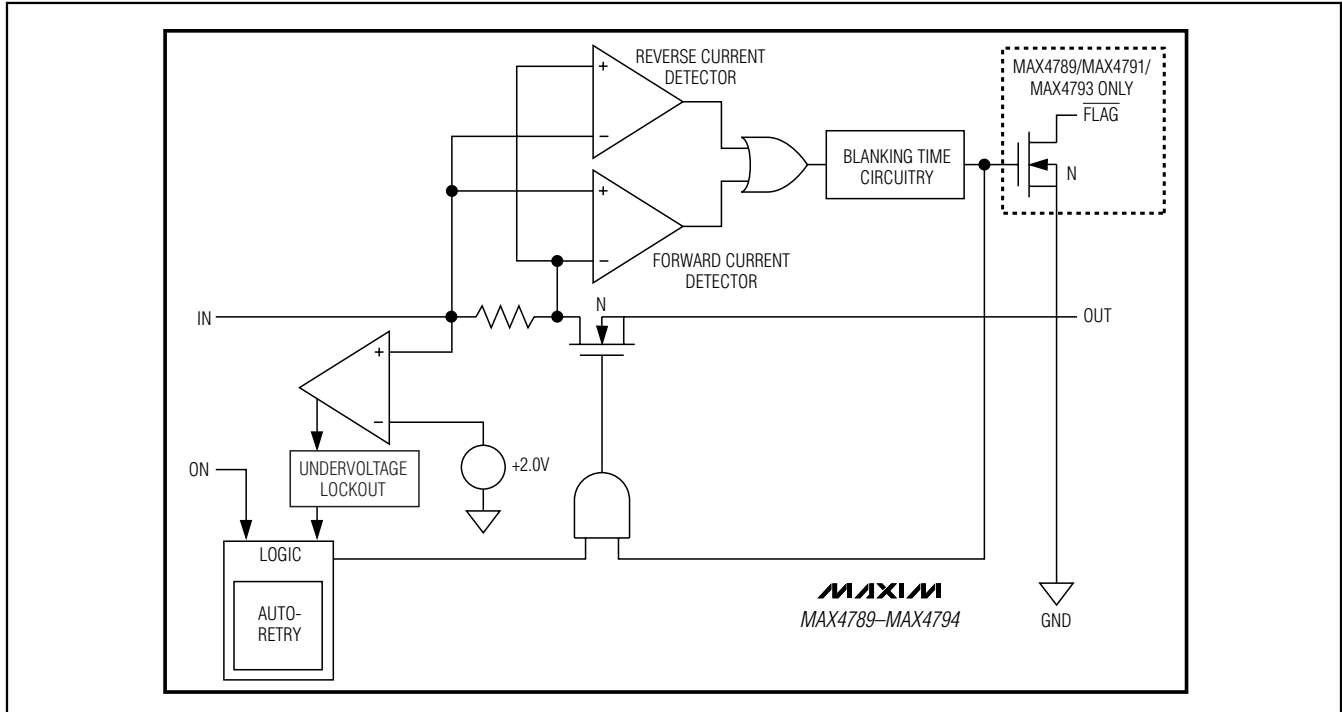


Figure 1. Functional Diagram

### Detailed Description

The MAX4789–MAX4794 are forward/reverse current-limited switches that operate from a 2.3V to 5.5V input voltage range and guarantee a 200mA, 250mA, and 300mA minimum current-limit threshold for different options. The voltage drop across an internal sense resistor is compared to two reference voltages to indicate a forward or reverse current-limit fault. When the load current exceeds the preset current limit for greater than the fault-blanking time, the switch opens.

The MAX4790, MAX4792, and MAX4794 have an autoretry function that turns on the switch again after an internal retry time expires. If the faulty load condition is still present after the blanking time, the switch turns off again and the cycle is repeated. If the faulty load condition is not present, the switch remains on.

The MAX4789, MAX4791, and MAX4793 do not have the autoretry option and the switch remains in latch-off mode until the ON pin or the input power is cycled from high to low and then high again.

The undervoltage lockout (UVLO) circuit prevents erroneous switch operation when the input voltage goes too low during startup conditions.

### Reverse Current Protection

The MAX4789–MAX4794 limit the reverse current ( $V_{OUT}$  to  $V_{IN}$ ) from exceeding the maximum  $I_{REV}$  value. The switch is shut off and  $\overline{FLAG}$  is asserted (MAX4789/MAX4791/MAX4793) if the reverse current-limit condition persists for more than the blanking time. This feature prevents excessive reverse currents from flowing through the device.

### Switch-On/Off Control

Toggle ON high to enable the current-limited switches. The switches are continuously on, only if  $V_{IN}$  exceeds the UVLO threshold (typically 2V) and there is no fault. When a forward/reverse current fault is present or the die exceeds the thermal-shutdown temperature of +150°C, OUT is internally disconnected from IN and the supply current decreases to 8 $\mu$ A (latch off). The switch is now operating in one of its off states. The switch-off state also occurs when driving ON low, thus reducing the supply current (shutdown) to 0.01 $\mu$ A. Table 1 illustrates the ON/OFF state of the MAX4789–MAX4794 current-limit switches.

### FLAG Indicator

The MAX4789, MAX4791, and MAX4793 feature a latched fault output,  $\overline{FLAG}$ . Whenever a fault is activated, it latches  $\overline{FLAG}$  output low and also turns the switch

# 200mA/250mA/300mA Current-Limit Switches

**Table 1. MAX4789–MAX4794 Switch Truth Table**

| ON   | FAULT                | SWITCH ON/OFF   | SUPPLY CURRENT MODE              |
|------|----------------------|---|----------------------------------|
| Low  | X                    | OFF   | Shutdown                         |
| High | Undervoltage Lockout | OFF   | Shutdown                         |
| High | Thermal              | OFF immediately ( $t_{BLANK}$ period does not apply)  | Latch off                        |
| High | Current Limit        | OFF after $t_{BLANK}$ period has elapsed  | Latch off                        |
|      |                      | ON during $t_{BLANK}$ period, OFF during $t_{RETRY}$ period for the MAX4790, MAX4792, and MAX4794; cycle repeats until fault is removed | See the <i>Autoretry</i> section |

off.  $\overline{FLAG}$  is an open-drain output transistor and requires an external pullup resistor from  $\overline{FLAG}$  to IN. During shutdown (ON is low), the pulldown on  $\overline{FLAG}$  output is released in order to limit power dissipation.  $\overline{FLAG}$  goes low when any of the following conditions occur:

- The die temperature exceeds the thermal-shutdown temperature limit of +150°C.
- The device is in current limit for more than the fault-blanking period.
- $V_{IN}$  is below UVLO threshold.

### Autoretry (MAX4790/MAX4792/MAX4794)

When the forward or reverse current-limit threshold is exceeded,  $t_{BLANK}$  timer begins counting (Figure 2). The timer resets if the overcurrent condition disappears before  $t_{BLANK}$  has elapsed. A retry time delay,  $t_{RETRY}$ , is started immediately after  $t_{BLANK}$  has elapsed and during that time, the switch is latched off. At the end of  $t_{RETRY}$ , the switch is turned on again. If the fault still exists, the cycle is repeated. If the fault has been removed, the switch stays on.

The autoretry feature saves system power in the case of an overcurrent or short-circuit condition. During  $t_{BLANK}$ , when the switch is on, the supply current is at the current limit. During  $t_{RETRY}$ , when the switch is off, the current through the switch is zero. Instead of observing the full load current, the switch sees the equivalent load current times duty cycle or  $I_{SUPPLY} = I_{LOAD} \times t_{BLANK} / (t_{BLANK} + t_{RETRY})$ . With a typical  $t_{BLANK} = 37\text{ms}$  and typical  $t_{RETRY} = 259\text{ms}$ , the duty cycle is 12%, which results in an 88% power savings over the switch being on the entire time. The duty cycle is consistent across the process and devices.

### Latch Off (MAX4789/MAX4791/MAX4793)

When the forward or reverse current-limit threshold is exceeded,  $t_{BLANK}$  timer begins counting. The timer resets if the overcurrent condition disappears before  $t_{BLANK}$  has elapsed. The switch is shut off if the overcurrent condition continues up to the end of the blank-

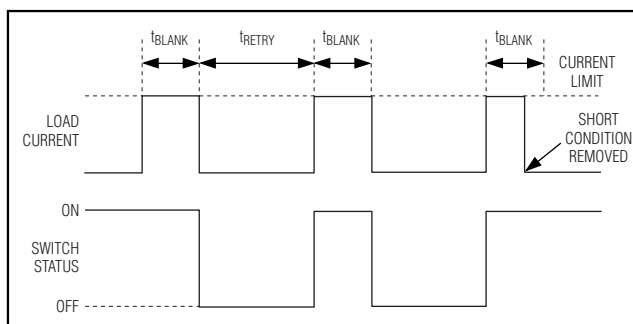


Figure 2. MAX4790/MAX4792/MAX4794 Autoretry Fault Blanking Diagram

ing time. Reset the switch by either toggling ON (Figure 3a) or cycling the input voltage below UVLO, typically 2V (Figure 3b).

### Fault Blanking

The MAX4789–MAX4794 feature 14ms (min) fault blanking. Fault blanking allows current-limit faults, including momentary short-circuit faults that occur when hot swapping a capacitive load, and also ensures that no fault is issued during power-up. When a load transient causes the device to enter current limit, an internal counter starts. If the load-transient fault persists beyond the fault-blanking timeout, the MAX4789/MAX4791/MAX4793  $\overline{FLAG}$  asserts low. Load-transient faults less than  $t_{BLANK}$  do not cause a  $\overline{FLAG}$  output assertion. Only current-limit faults are blanked.

A thermal fault and input voltage drops below the UVLO threshold cause  $\overline{FLAG}$  to assert immediately and do not wait for the blanking time.

### Thermal Shutdown

The MAX4789–MAX4794 have a thermal shutdown feature to protect the devices from overheating. The switch turns off and  $\overline{FLAG}$  goes low immediately (no fault blanking) when the junction temperature exceeds +150°C. The switch turns back on when the device temperature drops approximately 15°C.



# 200mA/250mA/300mA Current-Limit Switches

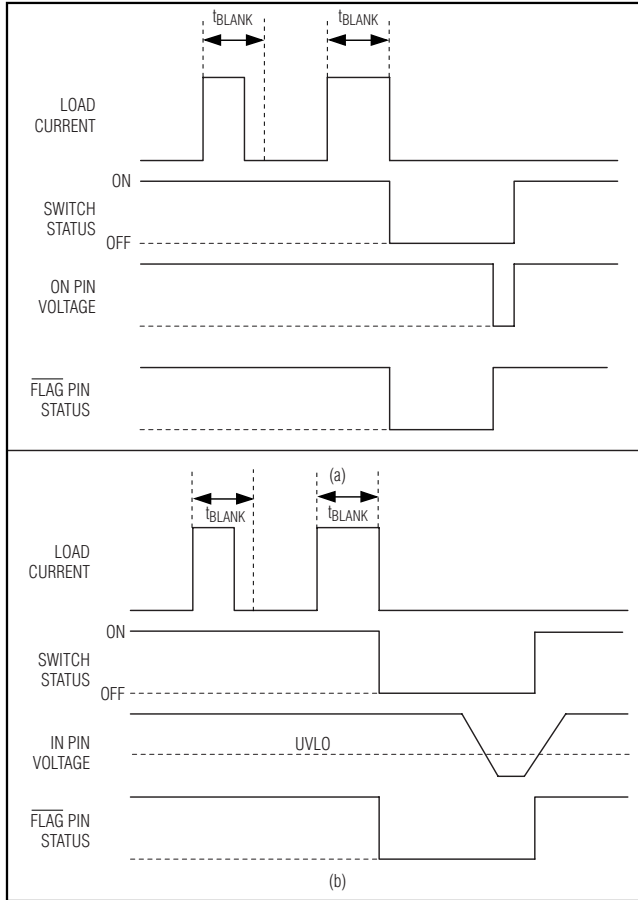


Figure 3. MAX4789/MAX4791/MAX4793 Latch-Off Fault Blanking

## Applications Information

### Input Capacitor

To limit the input voltage drop during momentary output short-circuit conditions, connect a capacitor from IN to GND. A 0.1µF ceramic capacitor is adequate for most applications; however, higher capacitor values further reduce the voltage drop at the input and are recommended for lower voltage applications.

### Output Capacitance

Connect a 0.1µF capacitor from OUT to GND. This capacitor helps prevent inductive parasitics from pulling OUT negative during turn-off, thus preventing

the MAX4789-MAX4794 from tripping erroneously. If the load capacitance is too large, then current may not have enough time to charge the capacitance and the device assumes that there is a faulty load condition. The maximum capacitive load value that can be driven from OUT is obtained by the following formula:

$$C_{MAX} < \frac{I_{FWD\_MIN} \times t_{BLANK\_MIN}}{V_{IN}}$$

### Layout and Thermal Dissipation

To optimize the switch response time to output short-circuit conditions, it is very important to keep all traces as short as possible to reduce the effect of undesirable parasitic inductance. Place input and output capacitors as close as possible to the device (no more than 5mm). IN and OUT pins must be connected with short traces to the power bus.

During normal operation, the power dissipation is small and the package temperature change is minimal. If the output is continuously shorted to ground at the maximum supply voltage, the operation of the switches with the autoretry option does not cause problems because the total power dissipated during the short is scaled by the duty cycle:

$$P_{MAX} = \frac{V_{IN\_MAX} \times I_{OUT\_MAX} \times t_{BLANK}}{t_{RETRY} + t_{BLANK}} = 302mW$$

where  $V_{IN} = 5.5V$ ,  $I_{OUT} = 450mA$ ,  $t_{BLANK} = 14ms$ , and  $t_{RETRY} = 98ms$ .

Attention must be given to the MAX4789, MAX4791, and MAX4793 where the latch-off condition must be manually reset by toggling ON from high to low. If the latch-off time duration is not sufficiently high, it is possible for the device to reach the thermal-shutdown threshold and never be able to turn the device on until it cools down.

## Chip Information

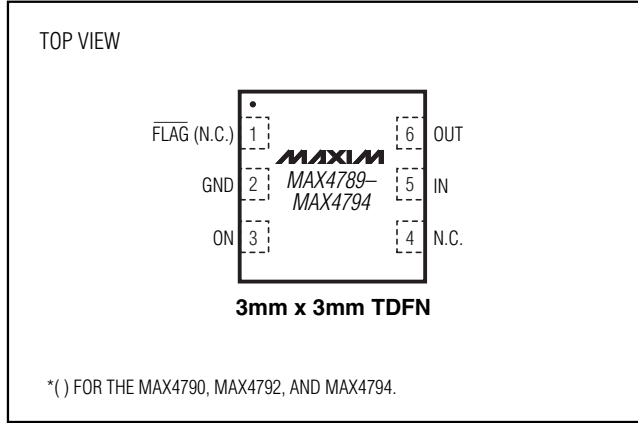
TRANSISTOR COUNT: 1408

PROCESS: BiCMOS



# 200mA/250mA/300mA Current-Limit Switches

## Pin Configurations (continued)



## Ordering Information (continued)

| PART                 | TEMP RANGE     | PIN-PACKAGE | TOP MARK |
|----------------------|----------------|-------------|----------|
| <b>MAX4791</b> EUS-T | -40°C to +85°C | 4 SOT143-4  | KAFG     |
| MAX4791EUK-T         | -40°C to +85°C | 5 SOT23-5   | AEAE     |
| MAX4791ETT           | -40°C to +85°C | 6 TDFN-EP*  | ABQ      |
| <b>MAX4792</b> EUS-T | -40°C to +85°C | 4 SOT143-4  | KAFH     |
| MAX4792ETT           | -40°C to +85°C | 6 TDFN-EP*  | ABR      |
| <b>MAX4793</b> EUS-T | -40°C to +85°C | 4 SOT143-4  | KAFI     |
| MAX4793EUK-T         | -40°C to +85°C | 5 SOT23-5   | AEAG     |
| MAX4793ETT           | -40°C to +85°C | 6 TDFN-EP*  | ABS      |
| <b>MAX4794</b> EUS-T | -40°C to +85°C | 4 SOT143-4  | KAFJ     |
| MAX4794ETT           | -40°C to +85°C | 6 TDFN-EP*  | ABT      |

\*EP = Exposed pad.

## Selector Guide

| PART       | PIN-PACKAGE | CURRENT LIMIT (mA) | FLAG FUNCTION | AUTO-RETRY |
|------------|-------------|--------------------|---------------|------------|
| MAX4789EUS | 4 SOT143    | 200                | No            | No         |
| MAX4789EUK | 5 SOT23     | 200                | Yes           | No         |
| MAX4789ETT | 6 TDFN      | 200                | Yes           | No         |
| MAX4790EUS | 4 SOT143    | 200                | No            | Yes        |
| MAX4790ETT | 6 TDFN      | 200                | No            | Yes        |
| MAX4791EUS | 4 SOT143    | 250                | No            | No         |
| MAX4791EUK | 5 SOT23     | 250                | Yes           | No         |
| MAX4791ETT | 6 TDFN      | 250                | Yes           | No         |
| MAX4792EUS | 4 SOT143    | 250                | No            | Yes        |
| MAX4792ETT | 6 TDFN      | 250                | No            | Yes        |
| MAX4793EUS | 4 SOT143    | 300                | No            | No         |
| MAX4793EUK | 5 SOT23     | 300                | Yes           | No         |
| MAX4793ETT | 6 TDFN      | 300                | Yes           | No         |
| MAX4794EUS | 4 SOT143    | 300                | No            | Yes        |
| MAX4794ETT | 6 TDFN      | 300                | No            | Yes        |

MAX4789-MAX4794

# 200mA/250mA/300mA Current-Limit Switches

## Package Information

(The package drawing(s) in this data sheet may not reflect the most current specifications. For the latest package outline information, go to [www.maxim-ic.com/packages](http://www.maxim-ic.com/packages).)

3x b

e

S

Φ

E1

E

PIN 1

e1

b2

WITH PLATING

b1

b3

c

BASE METAL

(b2)

c1

SECTION b-b

SEE DETAIL "A"

α

Φ

C

DETAIL "A"

0.25

GAUGE PLANE

SEATING PLANE

L1

| DIM | INCHES |       | MILLIMETERS |      |
|-----|--------|-------|-------------|------|
|     | MIN    | MAX   | MIN         | MAX  |
| A   | 0.031  | 0.048 | 0.80        | 1.22 |
| A1  | 0.000  | 0.006 | 0.01        | 0.15 |
| b   | 0.014  | 0.020 | 0.35        | 0.50 |
| b1  | 0.012  | 0.018 | 0.30        | 0.45 |
| b2  | 0.030  | 0.035 | 0.76        | 0.89 |
| b3  | 0.012  | 0.033 | 0.76        | 0.84 |
| c   | 0.003  | 0.008 | 0.08        | 0.20 |
| c1  | 0.003  | 0.006 | 0.08        | 0.16 |
| D   | 0.110  | 0.120 | 2.80        | 3.04 |
| E   | 0.083  | 0.104 | 2.10        | 2.64 |
| E1  | 0.047  | 0.055 | 1.20        | 1.40 |
| e   | 0.076  | BSC.  | 1.92        | BSC. |
| e1  | 0.008  | BSC.  | 0.20        | BSC. |
| L   | 0.016  | 0.024 | 0.40        | 0.60 |
| L1  | 0.021  | REF.  | 0.54        | REF. |
| S   | 0.018  | 0.024 | 0.45        | 0.60 |
| α   | 0°     | 8°    | 0°          | 8°   |

NOTES:

1. D&E DO NOT INCLUDE MOLD FLASH.
2. MOLD FLASH OR PROTRUSIONS NOT TO EXCEED .15mm (.006").
3. CONTROLLING DIMENSION: MILLIMETERS.
4. MEETS JEDEC T0253.

△ THESE DIMENSIONS APPLY TO THE FLAT SECTION OF THE LEAD BETWEEN 0.08mm AND 0.15mm FROM THE LEAD TIP.

DALLAS SEMICONDUCTOR

PROPRIETARY INFORMATION

TITLE: PACKAGE OUTLINE, SOT-143, 4L

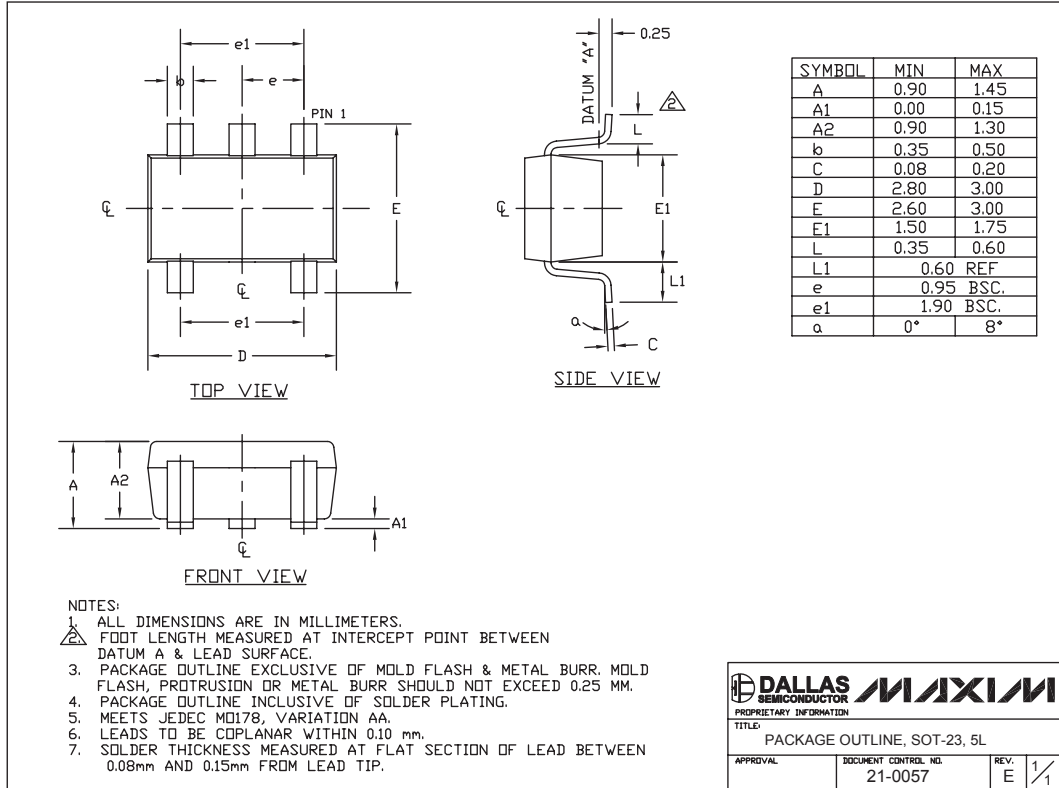
APPROVAL: \_\_\_\_\_ DOCUMENT CONTROL NO. 21-0052 REV. E 1/1

SOT-143 4LEPS

# 200mA/250mA/300mA Current-Limit Switches

## Package Information (continued)

(The package drawing(s) in this data sheet may not reflect the most current specifications. For the latest package outline information, go to [www.maxim-ic.com/packages](http://www.maxim-ic.com/packages).)



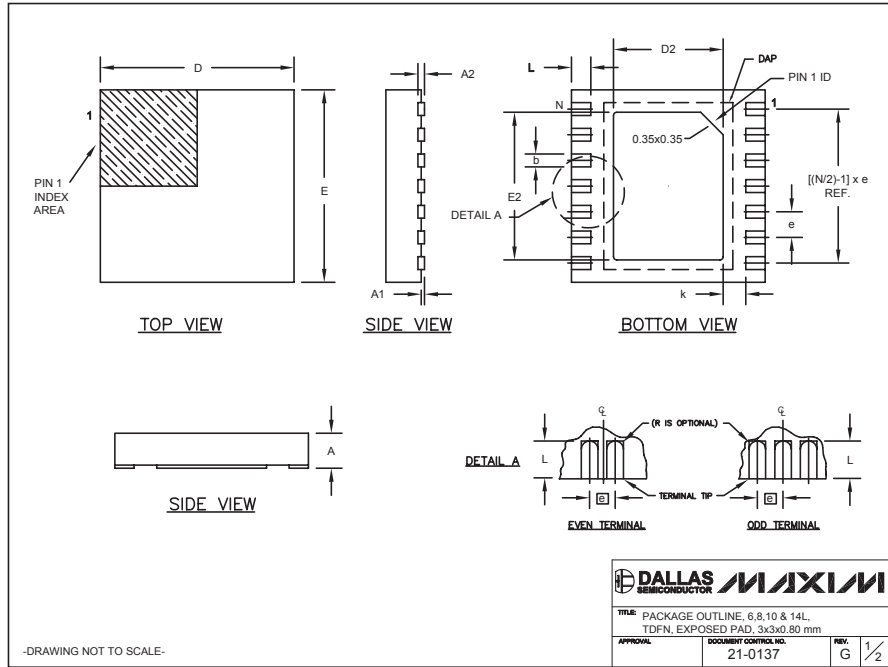
SOT-23 5L EPS

MAX4789-MAX4794

# 200mA/250mA/300mA Current-Limit Switches

## Package Information (continued)

(The package drawing(s) in this data sheet may not reflect the most current specifications. For the latest package outline information, go to [www.maxim-ic.com/packages](http://www.maxim-ic.com/packages).)



6, 8, & 10L, DFN THIN EPS

| COMMON DIMENSIONS |           |      |  |  |  |  |  |  |
|-------------------|-----------|------|--|--|--|--|--|--|
| SYMBOL            | MIN.      | MAX. |  |  |  |  |  |  |
| A                 | 0.70      | 0.80 |  |  |  |  |  |  |
| D                 | 2.90      | 3.10 |  |  |  |  |  |  |
| E                 | 2.90      | 3.10 |  |  |  |  |  |  |
| A1                | 0.00      | 0.05 |  |  |  |  |  |  |
| L                 | 0.20      | 0.40 |  |  |  |  |  |  |
| k                 | 0.25 MIN. |      |  |  |  |  |  |  |
| A2                | 0.20 REF. |      |  |  |  |  |  |  |

| PACKAGE VARIATIONS |    |           |           |          |                |           |               |                   |
|--------------------|----|-----------|-----------|----------|----------------|-----------|---------------|-------------------|
| PKG. CODE          | N  | D2        | E2        | e        | JEDEC SPEC     | b         | [(N/2)-1] x e | DOWNBONDS ALLOWED |
| T633-1             | 6  | 1.50±0.10 | 2.30±0.10 | 0.95 BSC | MO229 / WEEA   | 0.40±0.05 | 1.90 REF      | NO                |
| T633-2             | 6  | 1.50±0.10 | 2.30±0.10 | 0.95 BSC | MO229 / WEEA   | 0.40±0.05 | 1.90 REF      | NO                |
| T833-1             | 8  | 1.50±0.10 | 2.30±0.10 | 0.65 BSC | MO229 / WEEC   | 0.30±0.05 | 1.95 REF      | NO                |
| T833-2             | 8  | 1.50±0.10 | 2.30±0.10 | 0.65 BSC | MO229 / WEEC   | 0.30±0.05 | 1.95 REF      | NO                |
| T833-3             | 8  | 1.50±0.10 | 2.30±0.10 | 0.65 BSC | MO229 / WEEC   | 0.30±0.05 | 1.95 REF      | YES               |
| T1033-1            | 10 | 1.50±0.10 | 2.30±0.10 | 0.50 BSC | MO229 / WEED-3 | 0.25±0.05 | 2.00 REF      | NO                |
| T1433-1            | 14 | 1.70±0.10 | 2.30±0.10 | 0.40 BSC | ----           | 0.20±0.05 | 2.40 REF      | YES               |
| T1433-2            | 14 | 1.70±0.10 | 2.30±0.10 | 0.40 BSC | ----           | 0.20±0.05 | 2.40 REF      | NO                |

NOTES:

- ALL DIMENSIONS ARE IN mm. ANGLES IN DEGREES.
- COPLANARITY SHALL NOT EXCEED 0.08 mm.
- WARPAGE SHALL NOT EXCEED 0.10 mm.
- PACKAGE LENGTH/PACKAGE WIDTH ARE CONSIDERED AS SPECIAL CHARACTERISTIC(S).
- DRAWING CONFORMS TO JEDEC MO229, EXCEPT DIMENSIONS "D2" AND "E2", AND T1433-1 & T1433-2.
- "N" IS THE TOTAL NUMBER OF LEADS.
- NUMBER OF LEADS SHOWN ARE FOR REFERENCE ONLY.

-DRAWING NOT TO SCALE-

|  |                              |              |
|--|------------------------------|--------------|
|  | <b>DALLAS SEMICONDUCTOR</b>  | <b>MAXIM</b> |
| TITLE: PACKAGE OUTLINE, 6,8,10 & 14L, TDFN, EXPOSED PAD, 3x3x0.80 mm |                              |              |
| APPROVAL:  | DOCUMENT CONTROL NO. 21-0137 | REV. G 1/2   |

Maxim cannot assume responsibility for use of any circuitry other than circuitry entirely embodied in a Maxim product. No circuit patent licenses are implied. Maxim reserves the right to change the circuitry and specifications without notice at any time.

12 **Maxim Integrated Products, 120 San Gabriel Drive, Sunnyvale, CA 94086 408-737-7600**



## Стандарт Электрон Связь

Мы молодая и активно развивающаяся компания в области поставок электронных компонентов. Мы поставляем электронные компоненты отечественного и импортного производства напрямую от производителей и с крупнейших складов мира.

Благодаря сотрудничеству с мировыми поставщиками мы осуществляем комплексные и плановые поставки широчайшего спектра электронных компонентов.

Собственная эффективная логистика и склад в обеспечивает надежную поставку продукции в точно указанные сроки по всей России.

Мы осуществляем техническую поддержку нашим клиентам и предпродажную проверку качества продукции. На все поставляемые продукты мы предоставляем гарантию .

Осуществляем поставки продукции под контролем ВП МО РФ на предприятия военно-промышленного комплекса России , а также работаем в рамках 275 ФЗ с открытием отдельных счетов в уполномоченном банке. Система менеджмента качества компании соответствует требованиям ГОСТ ISO 9001.

Минимальные сроки поставки, гибкие цены, неограниченный ассортимент и индивидуальный подход к клиентам являются основой для выстраивания долгосрочного и эффективного сотрудничества с предприятиями радиоэлектронной промышленности, предприятиями ВПК и научно-исследовательскими институтами России.

С нами вы становитесь еще успешнее!

### Наши контакты:

**Телефон:** +7 812 627 14 35

**Электронная почта:** [sales@st-electron.ru](mailto:sales@st-electron.ru)

**Адрес:** 198099, Санкт-Петербург,  
Промышленная ул, дом № 19, литера Н,  
помещение 100-Н Офис 331