

74HC4017-Q100; 74HCT4017-Q100

Johnson decade counter with 10 decoded outputs

Rev. 1 — 24 March 2014

Product data sheet

1. General description

The 74HC4017-Q100; 74HCT4017-Q100 is a 5-stage Johnson decade counter with 10 decoded outputs (Q_0 to Q_9). It has an output from the most significant flip-flop ($\overline{Q_5-9}$), two clock inputs (CP_0 and $\overline{CP_1}$) and an overriding asynchronous master reset input (MR). Either a LOW-to-HIGH transition at CP_0 while $\overline{CP_1}$ is LOW, or a HIGH-to-LOW transition at $\overline{CP_1}$ while CP_0 is HIGH, advances the counter. The $\overline{Q_5-9}$ output is LOW while the counter is in states 5, 6, 7, 8 and 9. When cascading counters, it can be used to drive the CP_0 input of the next counter. A HIGH on MR resets the counter to zero ($Q_0 = \overline{Q_5-9} =$ HIGH; Q_1 to $Q_9 =$ LOW) independent of the clock inputs (CP_0 and $\overline{CP_1}$). An internal circuit: following any illegal code the counter returns to a proper counting mode within 11 clock pulses provides automatic code correction of the counter. Inputs include clamp diodes that enable the use of current limiting resistors to interface inputs to voltages in excess of V_{CC} .

This product has been qualified to the Automotive Electronics Council (AEC) standard Q100 (Grade 1) and is suitable for use in automotive applications.

2. Features and benefits

- Automotive product qualification in accordance with AEC-Q100 (Grade 1)
 - ◆ Specified from $-40\text{ }^{\circ}\text{C}$ to $+85\text{ }^{\circ}\text{C}$ and from $-40\text{ }^{\circ}\text{C}$ to $+125\text{ }^{\circ}\text{C}$
- Wide supply voltage range from 2.0 V to 6.0 V
- Input levels:
 - ◆ For 74HC4017-Q100: CMOS level
 - ◆ For 74HCT4017-Q100: TTL level
- Complies with JEDEC standard no. 7 A
- ESD protection:
 - ◆ MIL-STD-883, method 3015 exceeds 2000 V
 - ◆ HBM JESD22-A114F exceeds 2000 V
 - ◆ MM JESD22-A115-A exceeds 200 V ($C = 200\text{ pF}$, $R = 0\text{ }\Omega$)
- Multiple package options



3. Ordering information

Table 1. Ordering information

Type number	Package			Version
	Temperature range	Name	Description	
74HC4017-Q100				
74HC4017D-Q100	-40 °C to +125 °C	SO16	plastic small outline package; 16 leads; body width 3.9 mm	SOT109-1
74HC4017PW-Q100	-40 °C to +125 °C	TSSOP16	plastic thin shrink small outline package; 16 leads; body width 4.4 mm	SOT403-1
74HC4017BQ-Q100	-40 °C to +125 °C	DHVQFN16	plastic dual in-line compatible thermal-enhanced very thin quad flat package; no leads; 16 terminals; body 2.5 × 3.5 × 0.85 mm	SOT763-1
74HCT4017-Q100				
74HCT4017D-Q100	-40 °C to +125 °C	SO16	plastic small outline package; 16 leads; body width 3.9 mm	SOT109-1
74HCT4017BQ-Q100	-40 °C to +125 °C	DHVQFN16	plastic dual in-line compatible thermal-enhanced very thin quad flat package; no leads; 16 terminals; body 2.5 × 3.5 × 0.85 mm	SOT763-1

4. Functional diagram

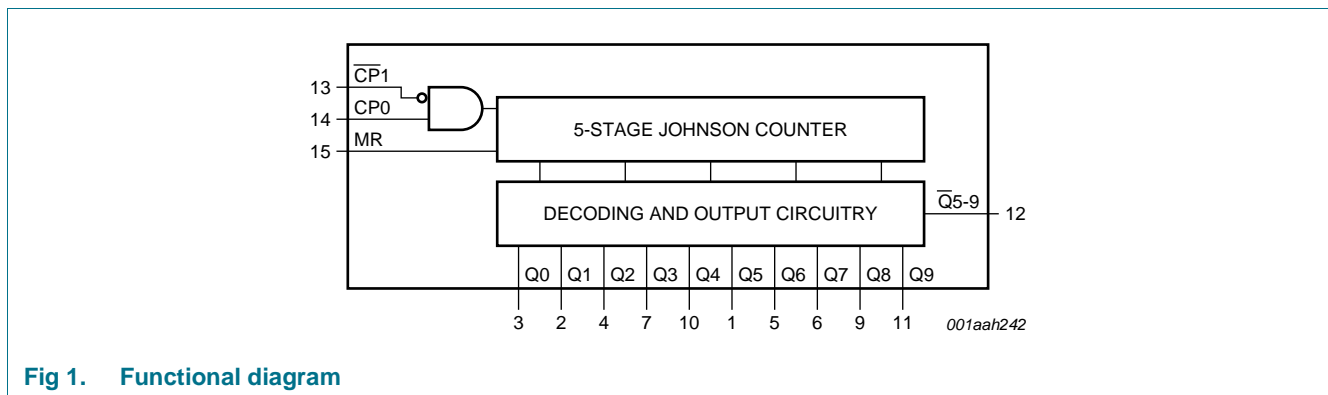


Fig 1. Functional diagram

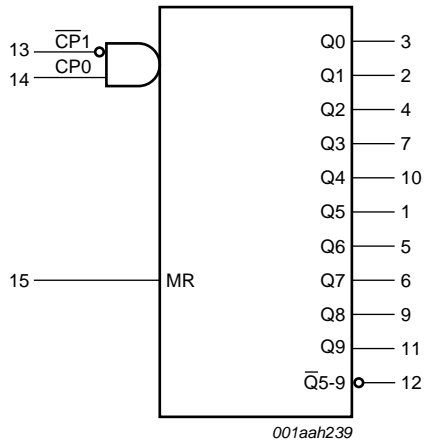


Fig 2. Logic symbol

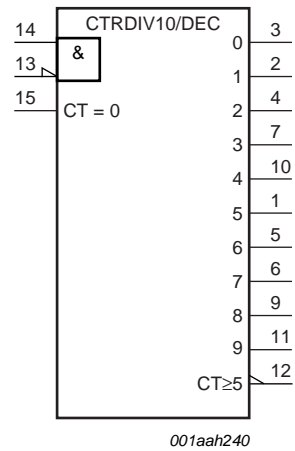


Fig 3. IEC logic symbol

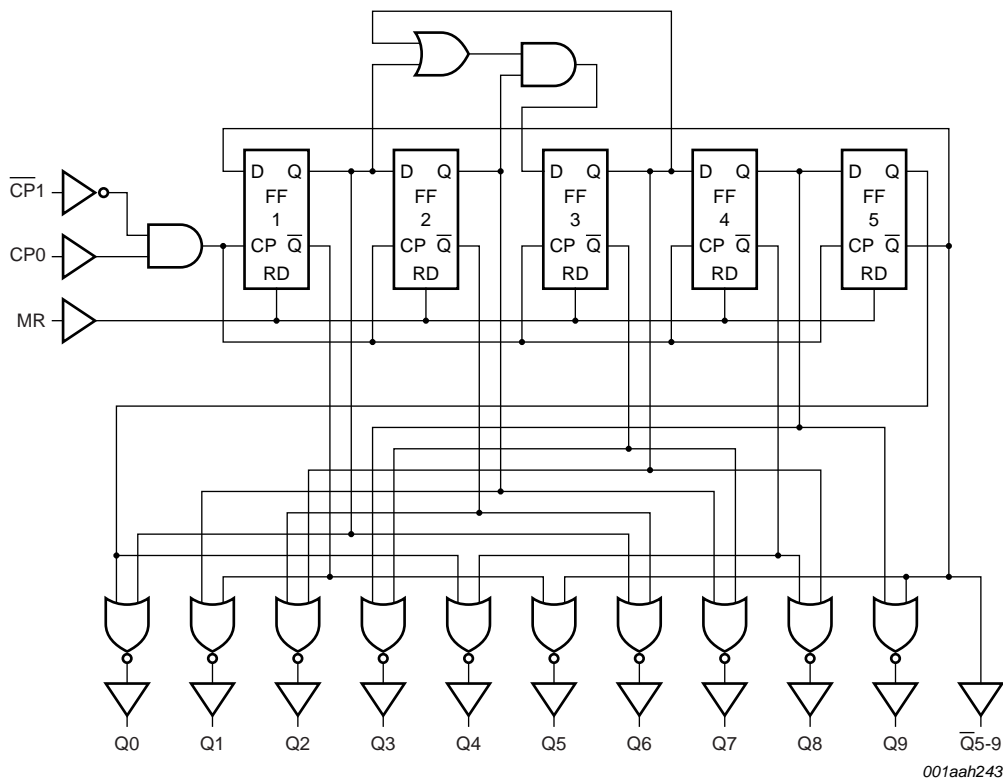


Fig 4. Logic diagram

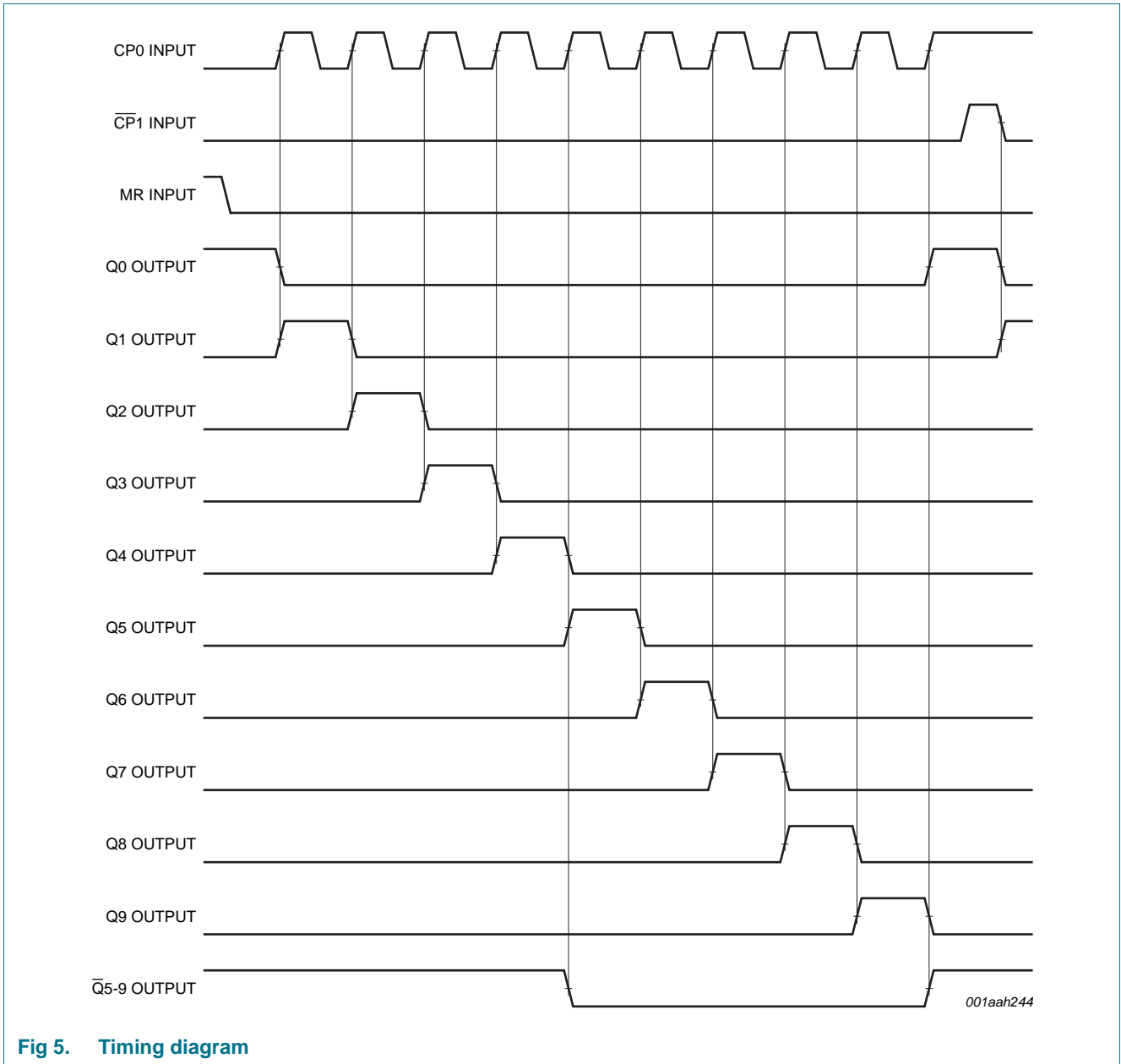
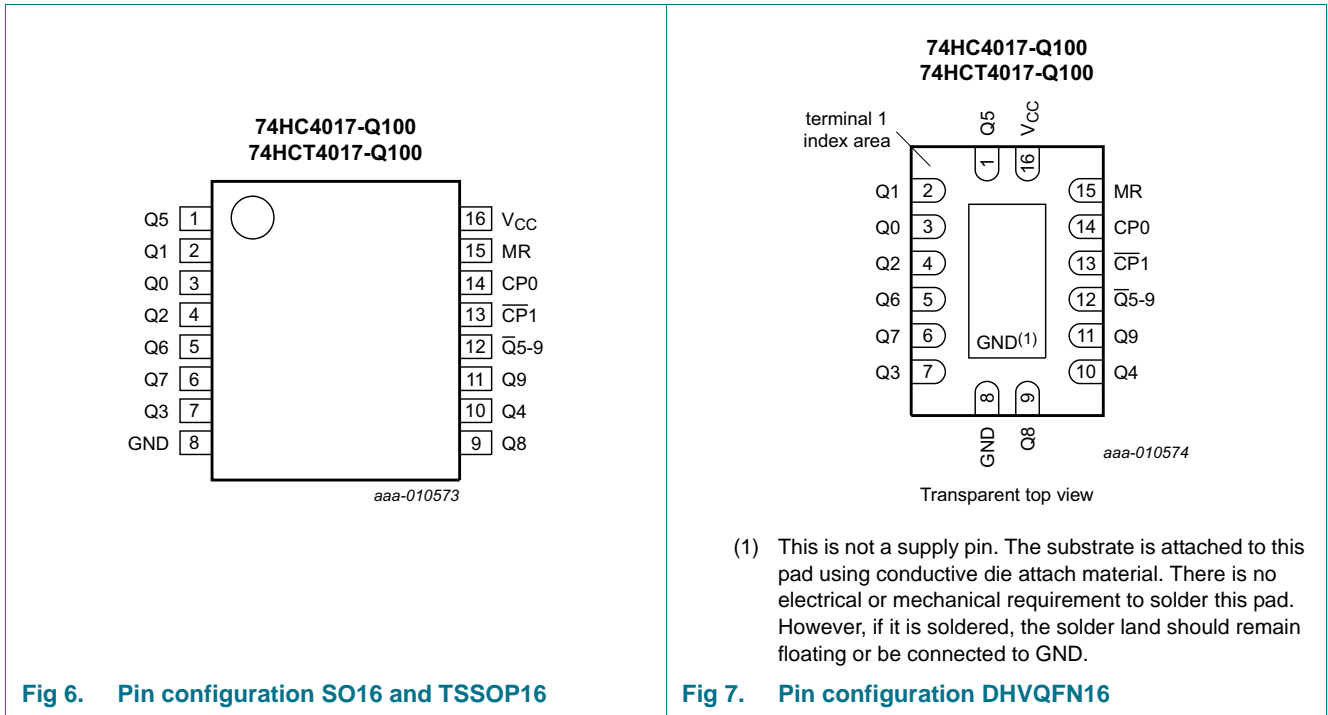


Fig 5. Timing diagram

5. Pinning information

5.1 Pinning



5.2 Pin description

Table 2. Pin description

Symbol	Pin	Description
Q[0:9]	3, 2, 4, 7, 10, 1, 5, 6, 9, 11	decoded output
GND	8	ground (0 V)
Q̄5-9	12	carry output (active LOW)
CP1	13	clock input (HIGH-to-LOW edge-triggered)
CP0	14	clock input (LOW-to-HIGH edge-triggered)
MR	15	master reset input (active HIGH)
V _{CC}	16	supply voltage

6. Functional description

Table 3. Function table^[1]

MR	CP0	CP1	Operation
H	X	X	Q0 = $\overline{Q5-9}$ = HIGH; Q1 to Q9 = LOW
L	H	↓	counter advances
L	↑	L	counter advances
L	L	X	no change
L	X	H	no change
L	H	↑	no change
L	↓	L	no change

- [1] H = HIGH voltage level;
L = LOW voltage level;
X = don't care;
↑ = LOW-to-HIGH transition;
↓ = HIGH-to-LOW transition;

7. Limiting values

Table 4. Limiting values

In accordance with the Absolute Maximum Rating System (IEC 60134). Voltages are referenced to GND (ground = 0 V).

Symbol	Parameter	Conditions	Min	Max	Unit
V _{CC}	supply voltage		-0.5	+7	V
I _{IK}	input clamping current	V _I < -0.5 V or V _I > V _{CC} + 0.5 V	[1]	±20	mA
I _{OK}	output clamping current	V _O < -0.5 V or V _O > V _{CC} + 0.5 V	[1]	±20	mA
I _O	output current	-0.5 V < V _O < V _{CC} + 0.5 V	-	±25	mA
I _{CC}	supply current		-	50	mA
I _{GND}	ground current		-50	-	mA
T _{stg}	storage temperature		-65	+150	°C
P _{tot}	total power dissipation	T _{amb} = -40 °C to +125 °C			
	SO16 package		[2]	500	mW
	TSSOP16 package		[3]	500	mW
	DHVQFN16 package		[4]	500	mW

- [1] The input and output voltage ratings may be exceeded if the input and output current ratings are observed.
[2] P_{tot} derates linearly with 8 mW/K above 70 °C.
[3] P_{tot} derates linearly with 5.5 mW/K above 60 °C.
[4] P_{tot} derates linearly with 4.5 mW/K above 60 °C.

8. Recommended operating conditions

Table 5. Recommended operating conditions

Symbol	Parameter	Conditions	Min	Typ	Max	Unit
74HC4017-Q100						
V _{CC}	supply voltage		2.0	5.0	6.0	V
V _I	input voltage		0	-	V _{CC}	V
V _O	output voltage		0	-	V _{CC}	V
Δt/ΔV	input transition rise and fall rate	V _{CC} = 2.0 V	-	-	625	ns/V
		V _{CC} = 4.5 V	-	1.67	139	ns/V
		V _{CC} = 6.0 V	-	-	83	ns/V
T _{amb}	ambient temperature		-40	-	+125	°C
74HCT4017-Q100						
V _{CC}	supply voltage		4.5	5.0	5.5	V
V _I	input voltage		0	-	V _{CC}	V
V _O	output voltage		0	-	V _{CC}	V
Δt/ΔV	input transition rise and fall rate	V _{CC} = 4.5 V	-	1.67	139	ns/V
T _{amb}	ambient temperature		-40	-	+125	°C

9. Static characteristics

Table 6. Static characteristics

At recommended operating conditions; voltages are referenced to GND (ground = 0 V).

Symbol	Parameter	Conditions	25 °C			-40 °C to +85 °C		-40 °C to +125 °C		Unit
			Min	Typ	Max	Min	Max	Min	Max	
74HC4017-Q100										
V _{IH}	HIGH-level input voltage	V _{CC} = 2.0 V	1.5	1.2	-	1.5	-	1.5	-	V
		V _{CC} = 4.5 V	3.15	2.4	-	3.15	-	3.15	-	V
		V _{CC} = 6.0 V	4.2	3.2	-	4.2	-	4.2	-	V
V _{IL}	LOW-level input voltage	V _{CC} = 2.0 V	-	0.8	0.5	-	0.5	-	0.5	V
		V _{CC} = 4.5 V	-	2.1	1.35	-	1.35	-	1.35	V
		V _{CC} = 6.0 V	-	2.8	1.8	-	1.8	-	1.8	V
V _{OH}	HIGH-level output voltage	V _I = V _{IH} or V _{IL}								
		I _O = -20 μA; V _{CC} = 2.0 V	1.9	2.0	-	1.9	-	1.9	-	V
		I _O = -20 μA; V _{CC} = 4.5 V	4.4	4.5	-	4.4	-	4.4	-	V
		I _O = -20 μA; V _{CC} = 6.0 V	5.9	6.0	-	5.9	-	5.9	-	V
		I _O = -4.0 mA; V _{CC} = 4.5 V	3.98	4.32	-	3.84	-	3.7	-	V
		I _O = -5.2 mA; V _{CC} = 6.0 V	5.48	5.81	-	5.34	-	5.2	-	V

Table 6. Static characteristics ...continued

At recommended operating conditions; voltages are referenced to GND (ground = 0 V).

Symbol	Parameter	Conditions	25 °C			-40 °C to +85 °C		-40 °C to +125 °C		Unit
			Min	Typ	Max	Min	Max	Min	Max	
V _{OL}	LOW-level output voltage	V _I = V _{IH} or V _{IL}								
		I _O = 20 μA; V _{CC} = 2.0 V	-	0	0.1	-	0.1	-	0.1	V
		I _O = 20 μA; V _{CC} = 4.5 V	-	0	0.1	-	0.1	-	0.1	V
		I _O = 20 μA; V _{CC} = 6.0 V	-	0	0.1	-	0.1	-	0.1	V
		I _O = 4.0 mA; V _{CC} = 4.5 V	-	0.15	0.26	-	0.33	-	0.4	V
		I _O = 5.2 mA; V _{CC} = 6.0 V	-	0.16	0.26	-	0.33	-	0.4	V
I _I	input leakage current	V _I = V _{CC} or GND; V _{CC} = 6.0 V	-	-	±0.1	-	±1.0	-	±1.0	μA
I _{CC}	supply current	V _I = V _{CC} or GND; I _O = 0 A; V _{CC} = 6.0 V	-	-	8.0	-	80	-	160	μA
C _I	input capacitance		-	3.5	-	-	-	-	-	pF
74HCT4017-Q100										
V _{IH}	HIGH-level input voltage	V _{CC} = 4.5 V to 5.5 V	2.0	1.6	-	2.0	-	2.0	-	V
V _{IL}	LOW-level input voltage	V _{CC} = 4.5 V to 5.5 V	-	1.2	0.8	-	0.8	-	0.8	V
V _{OH}	HIGH-level output voltage	V _I = V _{IH} or V _{IL} ; V _{CC} = 4.5 V								
		I _O = -20 μA	4.4	4.5	-	4.4	-	4.4	-	V
		I _O = -4 mA	3.98	4.32	-	3.84	-	3.7	-	V
V _{OL}	LOW-level output voltage	V _I = V _{IH} or V _{IL} ; V _{CC} = 4.5 V								
		I _O = 20 μA	-	0	0.1	-	0.1	-	0.1	V
		I _O = 4.0 mA	-	0.15	0.26	-	0.33	-	0.4	V
I _I	input leakage current	V _I = V _{CC} or GND; V _{CC} = 5.5 V	-	-	±0.1	-	±1.0	-	±1.0	μA
I _{CC}	supply current	V _I = V _{CC} or GND; V _{CC} = 5.5 V; I _O = 0 A	-	-	8.0	-	80	-	160	μA
ΔI _{CC}	additional supply current	per input pin; V _I = V _{CC} - 2.1 V; other inputs at V _{CC} or GND; V _{CC} = 4.5 V to 5.5 V; I _O = 0 A								
		CP0 input	-	25	90	-	113	-	123	μA
		CP1 input	-	40	144	-	180	-	196	μA
		MR input	-	50	180	-	225	-	245	μA
C _I	input capacitance		-	3.5	-	-	-	-	-	pF

10. Dynamic characteristics

Table 7. Dynamic characteristics

$GND = 0\text{ V}$; $t_r = t_f = 6\text{ ns}$; $C_L = 50\text{ pF}$; see [Figure 11](#).

Symbol	Parameter	Conditions	25 °C			-40 °C to +85 °C		-40 °C to +125 °C		Unit
			Min	Typ	Max	Min	Max	Min	Max	
74HC4017-Q100										
t_{pd}	propagation delay	CP0 to Qn; CP0 to $\overline{Q5-9}$; [1] see Figure 10								
		$V_{CC} = 2.0\text{ V}$	-	63	230	-	290	-	345	ns
		$V_{CC} = 4.5\text{ V}$	-	23	46	-	58	-	69	ns
		$V_{CC} = 5.0\text{ V}$; $C_L = 15\text{ pF}$	-	20	-	-	-	-	-	ns
		$V_{CC} = 6.0\text{ V}$	-	18	39	-	49	-	59	ns
		CP1 to Qn; $\overline{CP1}$ to $\overline{Q5-9}$; see Figure 10								
		$V_{CC} = 2.0\text{ V}$	-	61	250	-	315	-	375	ns
		$V_{CC} = 4.5\text{ V}$	-	22	50	-	63	-	75	ns
t_{PHL}	HIGH to LOW propagation delay	MR to Q[1:9]; see Figure 10								
		$V_{CC} = 2.0\text{ V}$	-	52	230	-	290	-	345	ns
		$V_{CC} = 4.5\text{ V}$	-	19	46	-	58	-	69	ns
		$V_{CC} = 6.0\text{ V}$	-	15	39	-	49	-	59	ns
t_{PLH}	LOW to HIGH propagation delay	MR to $\overline{Q5-9}$, Q0; see Figure 10								
		$V_{CC} = 2.0\text{ V}$	-	55	230	-	290	-	345	ns
		$V_{CC} = 4.5\text{ V}$	-	20	46	-	58	-	69	ns
t_t	transition time	see Figure 10 [2]								
		$V_{CC} = 2.0\text{ V}$	-	19	75	-	95	-	110	ns
		$V_{CC} = 4.5\text{ V}$	-	7	15	-	19	-	22	ns
t_w	pulse width	$V_{CC} = 6.0\text{ V}$	-	6	13	-	16	-	19	ns
		CP0 and $\overline{CP1}$ (HIGH or LOW); see Figure 9								
		$V_{CC} = 2.0\text{ V}$	80	17	-	100	-	120	-	ns
		$V_{CC} = 4.5\text{ V}$	16	6	-	20	-	24	-	ns
		$V_{CC} = 6.0\text{ V}$	14	5	-	17	-	20	-	ns
		MR (HIGH); see Figure 9								
		$V_{CC} = 2.0\text{ V}$	80	19	-	100	-	120	-	ns
$V_{CC} = 4.5\text{ V}$	16	7	-	20	-	24	-	ns		
$V_{CC} = 6.0\text{ V}$	14	6	-	17	-	20	-	ns		

Table 7. Dynamic characteristics ...continued
GND = 0 V; $t_r = t_f = 6$ ns; $C_L = 50$ pF; see [Figure 11](#).

Symbol	Parameter	Conditions	25 °C			−40 °C to +85 °C		−40 °C to +125 °C		Unit	
			Min	Typ	Max	Min	Max	Min	Max		
t _{su}	set-up time	$\overline{CP1}$ to CP0; CP0 to $\overline{CP1}$; see Figure 8									
		V _{CC} = 2.0 V	50	−8	-	65	-	75	-	ns	
		V _{CC} = 4.5 V	10	−3	-	13	-	15	-	ns	
		V _{CC} = 6.0 V	9	−2	-	11	-	13	-	ns	
t _h	hold time	$\overline{CP1}$ to CP0; CP0 to $\overline{CP1}$; see Figure 8									
		V _{CC} = 2.0 V	50	17	-	65	-	75	-	ns	
		V _{CC} = 4.5 V	10	6	-	13	-	15	-	ns	
		V _{CC} = 6.0 V	9	5	-	11	-	13	-	ns	
t _{rec}	recovery time	MR to CP0 and MR to $\overline{CP1}$; see Figure 9									
		V _{CC} = 2.0 V	5	−17	-	5	-	5	-	ns	
		V _{CC} = 4.5 V	5	−6	-	5	-	5	-	ns	
		V _{CC} = 6.0 V	5	−5	-	5	-	5	-	ns	
f _{max}	maximum frequency	CP0 or $\overline{CP1}$; see Figure 9									
		V _{CC} = 2.0 V	6.0	23	-	4.8	-	4.0	-	MHz	
		V _{CC} = 4.5 V	30	70	-	24	-	20	-	MHz	
		V _{CC} = 5.0 V; C _L = 15 pF	-	77	-	-	-	-	-	MHz	
		V _{CC} = 6.0 V	25	83	-	28	-	24	-	MHz	
C _{PD}	power dissipation capacitance	V _I = GND to V _{CC} ; V _{CC} = 5 V; f _i = 1 MHz [3]	-	35	-	-	-	-	-	pF	
74HCT4017-Q100											
t _{pd}	propagation delay	CP0 to Q _n ; CP0 to $\overline{Q5-9}$; [1] see Figure 10									
		V _{CC} = 4.5 V	-	25	46	-	58	-	69	ns	
		V _{CC} = 5.0 V; C _L = 15 pF	-	21	-	-	-	-	-	-	ns
		$\overline{CP1}$ to Q _n ; $\overline{CP1}$ to $\overline{Q5-9}$; see Figure 10									
		V _{CC} = 4.5 V	-	25	50	-	63	-	75	ns	
		V _{CC} = 5.0 V; C _L = 15 pF	-	21	-	-	-	-	-	-	ns
t _{PHL}	HIGH to LOW propagation delay	MR to Q[1:9]; see Figure 10									
		V _{CC} = 4.5 V	-	22	46	-	58	-	69	ns	
t _{PLH}	LOW to HIGH propagation delay	MR to $\overline{Q5-9}$, Q0; see Figure 10									
		V _{CC} = 4.5 V	-	20	46	-	58	-	69	ns	

Table 7. Dynamic characteristics ...continued
GND = 0 V; $t_r = t_f = 6$ ns; $C_L = 50$ pF; see [Figure 11](#).

Symbol	Parameter	Conditions	25 °C			-40 °C to +85 °C		-40 °C to +125 °C		Unit
			Min	Typ	Max	Min	Max	Min	Max	
t_t	transition time	see Figure 10 [2]								
		$V_{CC} = 4.5$ V	-	7	15	-	19	-	22	ns
t_w	pulse width	CP0 and $\overline{CP1}$ (HIGH or LOW); see Figure 9								
		$V_{CC} = 4.5$ V	16	7	-	20	-	24	-	ns
		MR (HIGH); see Figure 9								
		$V_{CC} = 4.5$ V	16	4	-	20	-	24	-	ns
t_{su}	set-up time	$\overline{CP1}$ to CP0; CP0 to $\overline{CP1}$; see Figure 8								
		$V_{CC} = 4.5$ V	10	-3	-	13	-	15	-	ns
t_h	hold time	$\overline{CP1}$ to CP0; CP0 to $\overline{CP1}$; see Figure 8								
		$V_{CC} = 4.5$ V	10	6	-	13	-	15	-	ns
t_{rec}	recovery time	MR to CP0 and MR to $\overline{CP1}$; see Figure 9								
		$V_{CC} = 4.5$ V	5	-5	-	5	-	5	-	ns
f_{max}	maximum frequency	CP0 or $\overline{CP1}$; see Figure 9								
		$V_{CC} = 4.5$ V	30	61	-	24	-	20	-	MHz
		$V_{CC} = 5.0$ V; $C_L = 15$ pF	-	67	-	-	-	-	-	MHz
C_{PD}	power dissipation capacitance	$V_I = GND$ to $V_{CC} - 1.5$ V; [3] $V_{CC} = 5$ V; $f_i = 1$ MHz	-	36	-	-	-	-	-	pF

[1] t_{pd} is the same as t_{PHL} and t_{PLH} .

[2] t_t is the same as t_{THL} and t_{TLH} .

[3] C_{PD} is used to determine the dynamic power dissipation (P_D in μ W):

$$P_D = C_{PD} \times V_{CC}^2 \times f_i \times N + \sum(C_L \times V_{CC}^2 \times f_o)$$

f_i = input frequency in MHz;

f_o = output frequency in MHz;

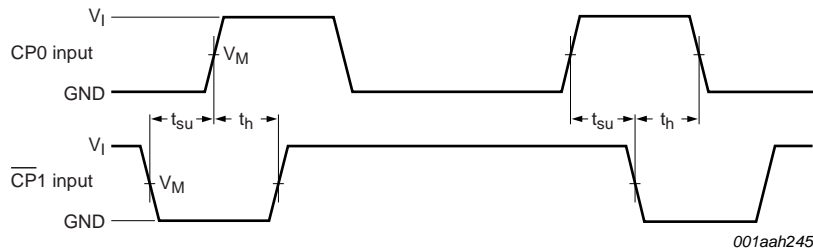
C_L = output load capacitance in pF;

V_{CC} = supply voltage in V;

N = number of inputs switching;

$\sum(C_L \times V_{CC}^2 \times f_o)$ = sum of outputs.

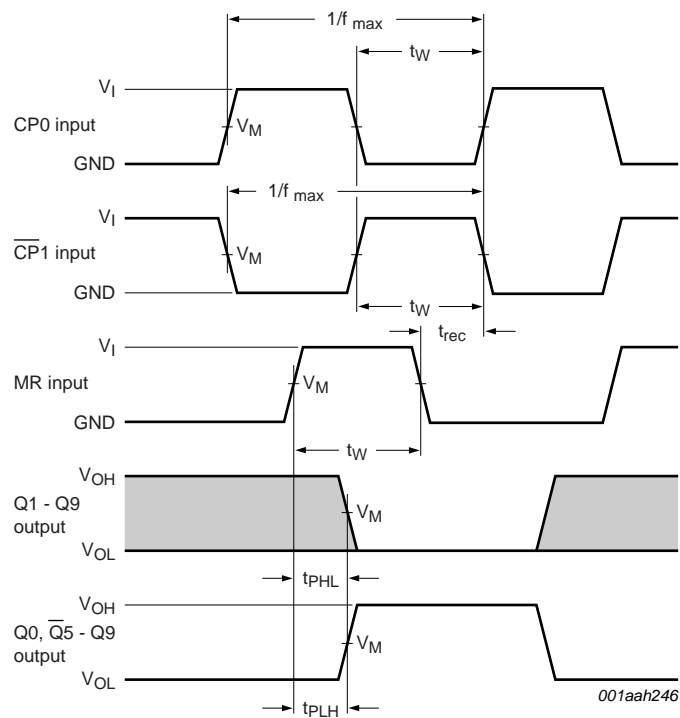
11. Waveforms



Measurement points are given in [Table 8](#).

V_{OL} and V_{OH} are typical voltage output levels that occur with the output load.

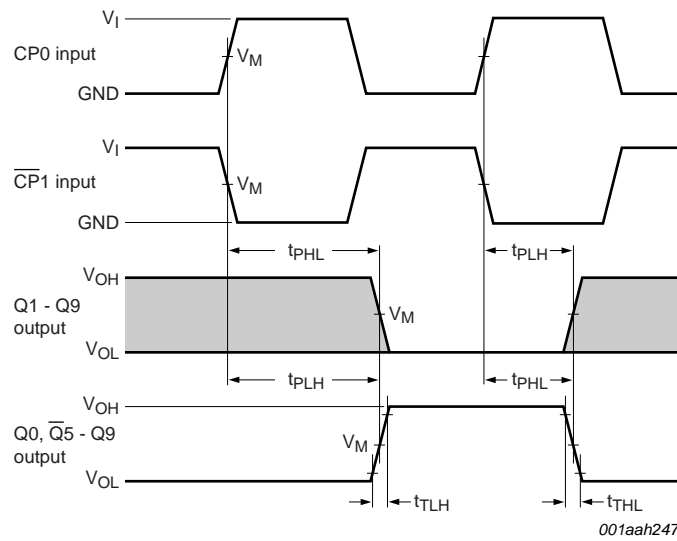
Fig 8. Waveforms showing the set-up and hold times for CP0 to $\overline{CP1}$ and $\overline{CP1}$ to CP0



Measurement points are given in [Table 8](#).

V_{OL} and V_{OH} are typical voltage output levels that occur with the output load.

Fig 9. Waveforms showing minimum pulse widths, maximum CP input frequencies, recovery times and output propagation delays



Measurement points are given in [Table 8](#).

V_{OL} and V_{OH} are typical voltage output levels that occur with the output load.

Conditions: $\overline{CP1}$ = LOW while CP0 is triggered on a LOW-to-HIGH transition and CP0 = HIGH, while $\overline{CP1}$ is triggered on a HIGH-to-LOW transition.

Fig 10. Waveforms showing propagation delays for CP to Qn outputs and output transition times

Table 8. Measurement points

Type	Input	Output
	V_M	V_M
74HC4017-Q100	$0.5 \times V_{CC}$	$0.5 \times V_{CC}$
74HCT4017-Q100	1.3 V	1.3 V

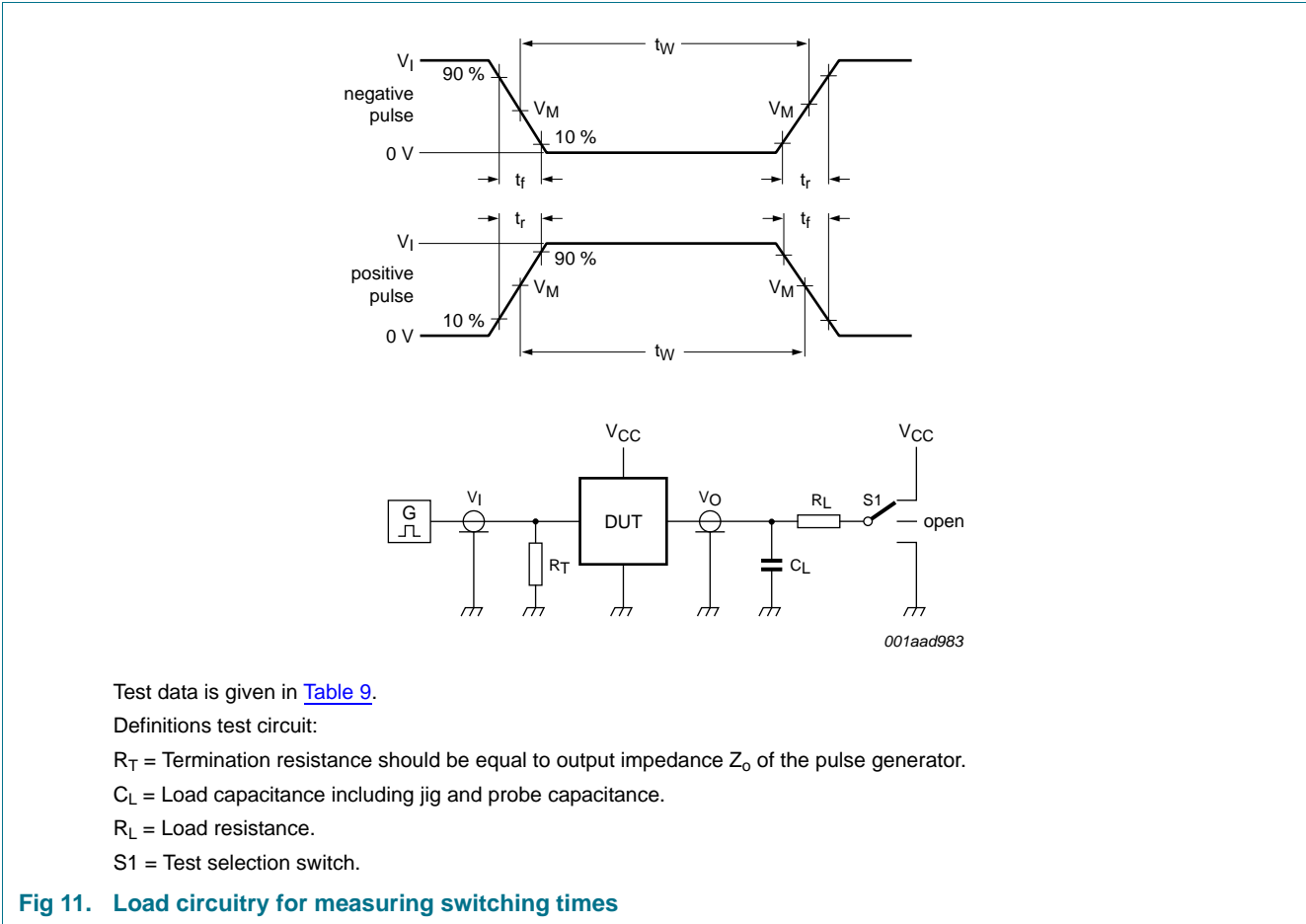


Table 9. Test data

Type	Input		Load		S1 position		
	V_I	t_r, t_f	C_L	R_L	t_{PHL}, t_{PLH}	t_{PZH}, t_{PHZ}	t_{PZL}, t_{PLZ}
74HC4017-Q100	V_{CC}	6 ns	15 pF, 50 pF	1 k Ω	open	GND	V_{CC}
74HCT4017-Q100	3 V	6 ns	15 pF, 50 pF	1 k Ω	open	GND	V_{CC}

12. Application information

Some examples of applications for the 74HC4017-Q100; 74HCT4017-Q100 are:

- Decade counter with decimal decoding
- 1 out of n decoding counter (when cascaded)
- Sequential controller
- Timer

[Figure 12](#) shows a technique for extending the number of decoded output states for the 74HC4017-Q100; 74HCT4017-Q100. Decoded outputs are sequential within each stage and from stage to stage, with no dead time (except propagation delay).

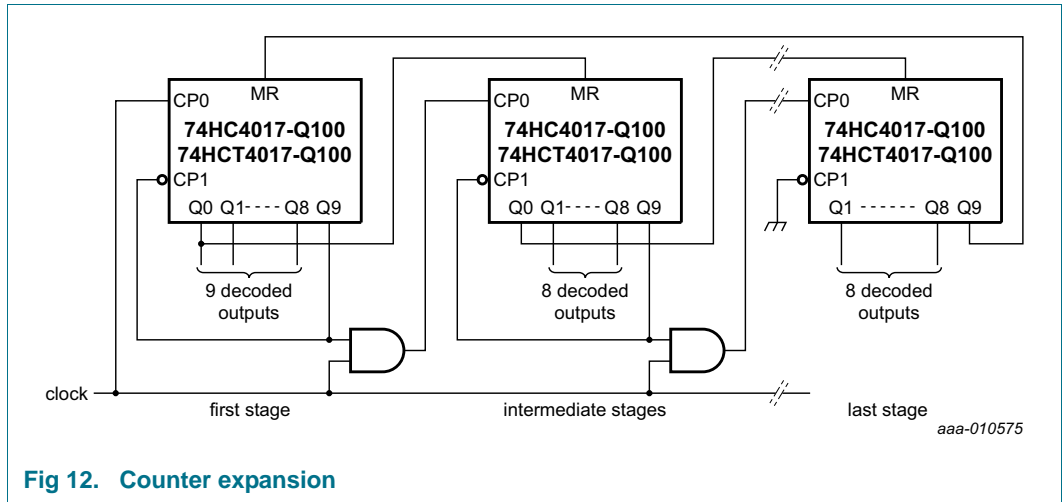


Fig 12. Counter expansion

Remark: Do not enable the counter on $\overline{CP1}$ when CP0 is HIGH, or on CP0 when $\overline{CP1}$ is LOW. It causes an extra count.

Figure 13 shows an example of a divide-by 2 through divide-by 10 circuit using one 74HC4017-Q100; 74HCT4017-Q100. Since the 74HC4017-Q100; 74HCT4017-Q100 has an asynchronous reset, the output pulse widths are narrow (minimum expected pulse width is 6 ns). The output pulse widths can be enlarged by inserting an RC network at the MR input.

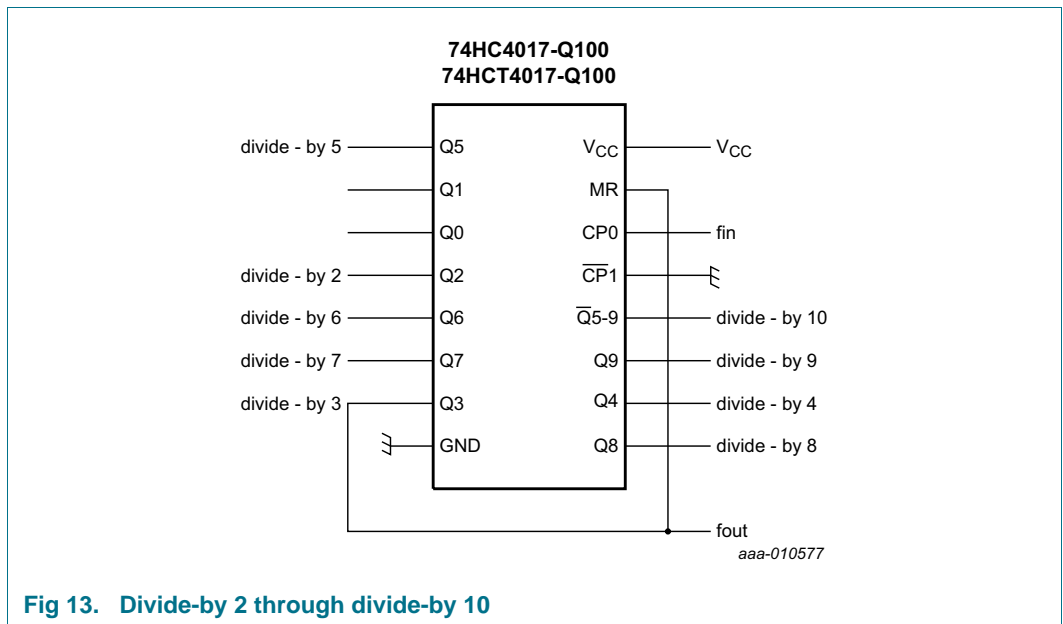


Fig 13. Divide-by 2 through divide-by 10

13. Package outline

SO16: plastic small outline package; 16 leads; body width 3.9 mm

SOT109-1

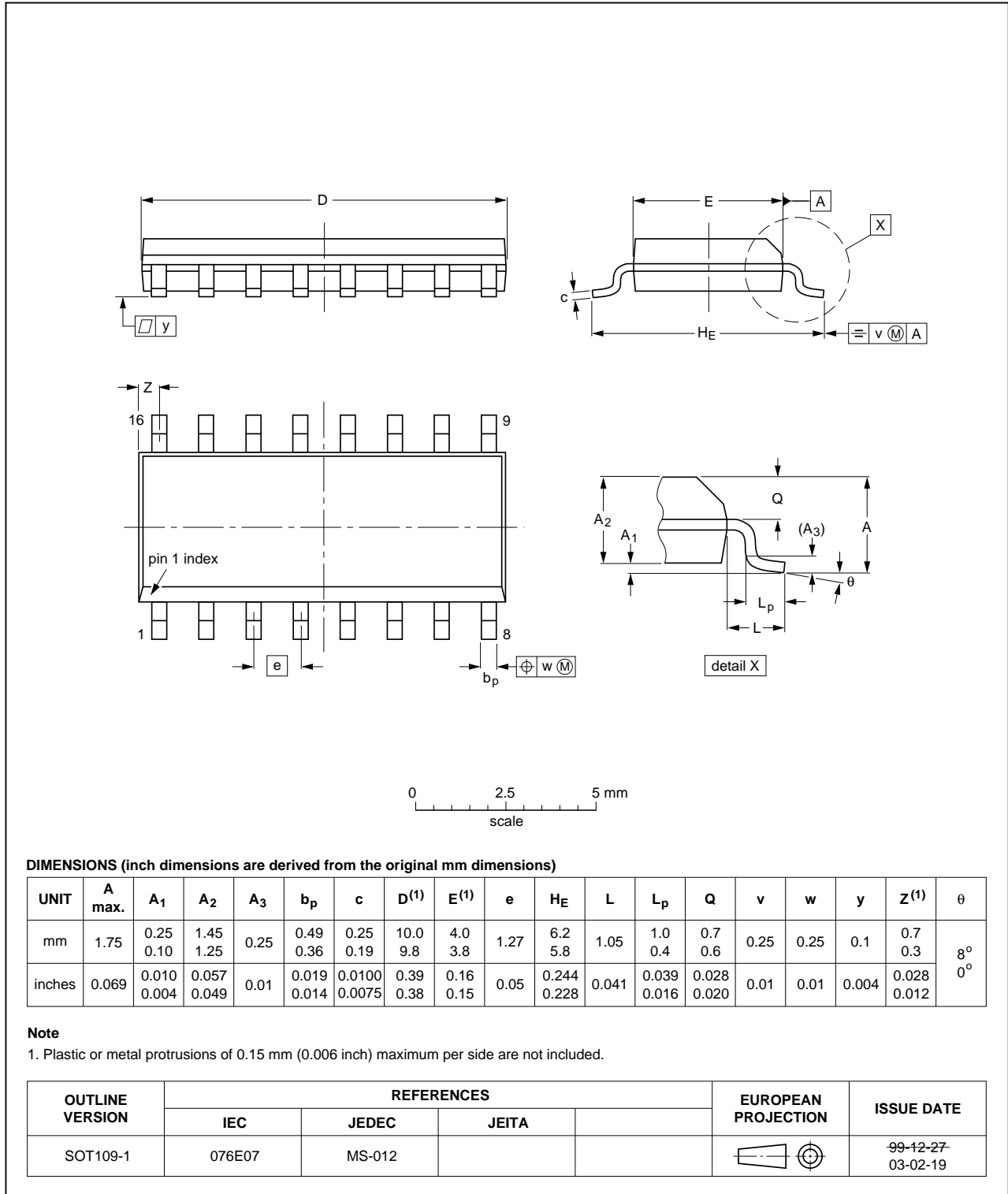


Fig 14. Package outline SOT109-1 (SO16)

TSSOP16: plastic thin shrink small outline package; 16 leads; body width 4.4 mm

SOT403-1

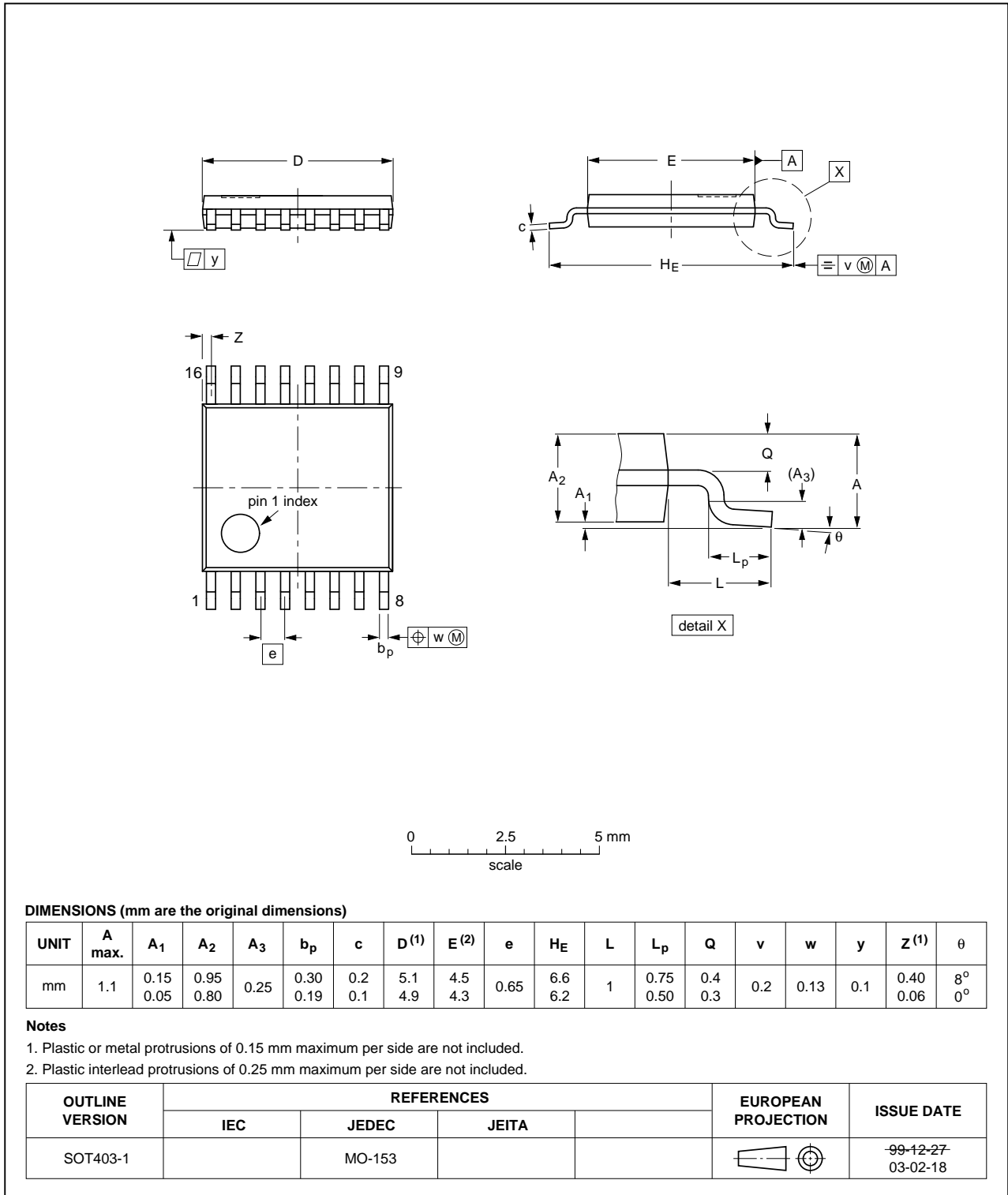


Fig 15. Package outline SOT403-1 (TSSOP16)

DHVQFN16: plastic dual in-line compatible thermal enhanced very thin quad flat package; no leads; 16 terminals; body 2.5 x 3.5 x 0.85 mm

SOT763-1

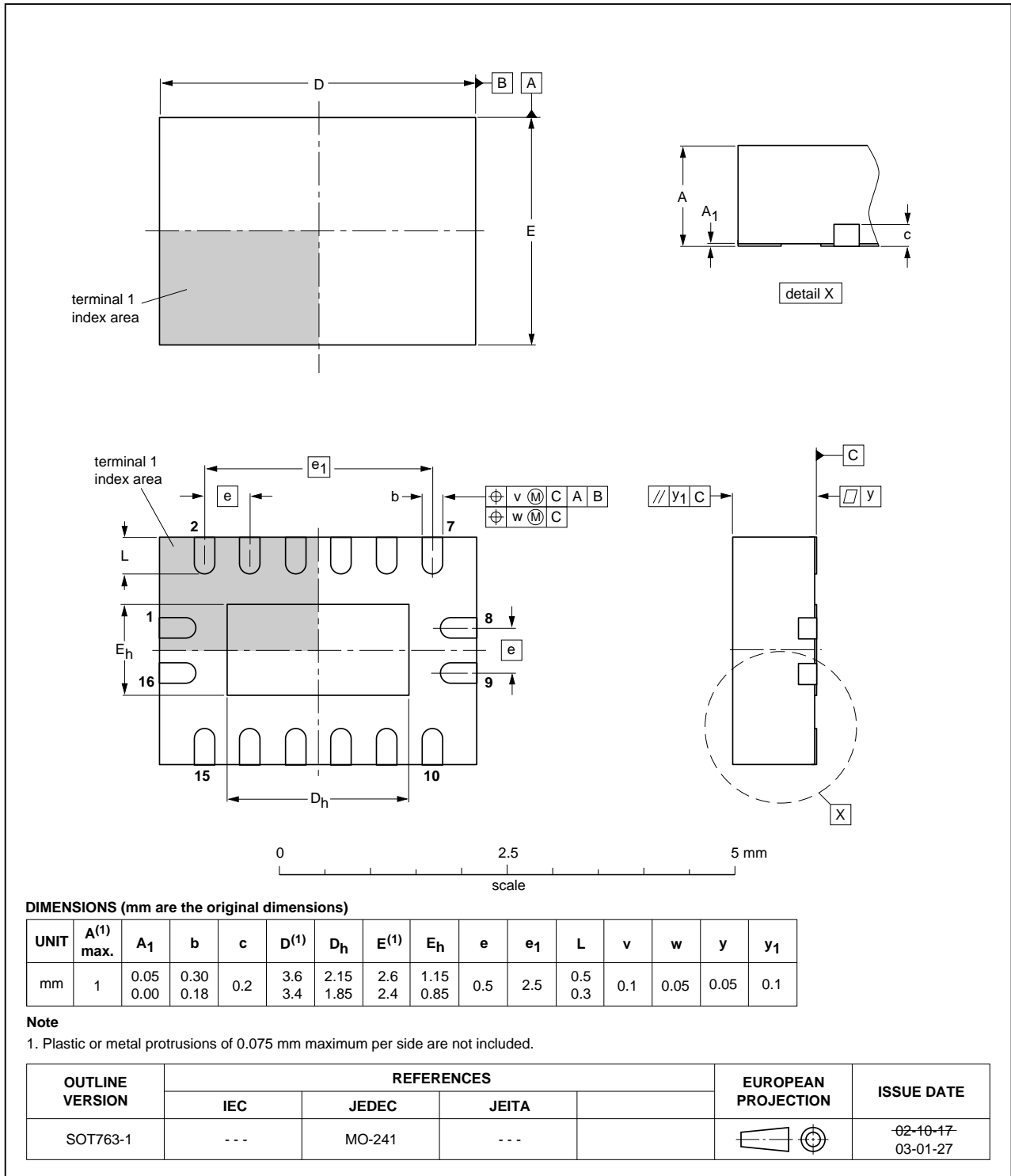


Fig 16. Package outline SOT763-1 (DHVQFN16)

14. Abbreviations

Table 10. Abbreviations

Acronym	Description
CMOS	Complementary Metal Oxide Semiconductor
DUT	Device Under Test
ESD	ElectroStatic Discharge
HBM	Human Body Model
MM	Machine Model
MIL	Military
TTL	Transistor-Transistor Logic

15. Revision history

Table 11. Revision history

Document ID	Release date	Data sheet status	Change notice	Supersedes
74HC_HCT4017_Q100 v.1	20140324	Product data sheet	-	-

16. Legal information

16.1 Data sheet status

Document status ^{[1][2]}	Product status ^[3]	Definition
Objective [short] data sheet	Development	This document contains data from the objective specification for product development.
Preliminary [short] data sheet	Qualification	This document contains data from the preliminary specification.
Product [short] data sheet	Production	This document contains the product specification.

[1] Please consult the most recently issued document before initiating or completing a design.

[2] The term 'short data sheet' is explained in section "Definitions".

[3] The product status of device(s) described in this document may have changed since this document was published and may differ in case of multiple devices. The latest product status information is available on the Internet at URL <http://www.nxp.com>.

16.2 Definitions

Draft — The document is a draft version only. The content is still under internal review and subject to formal approval, which may result in modifications or additions. NXP Semiconductors does not give any representations or warranties as to the accuracy or completeness of information included herein and shall have no liability for the consequences of use of such information.

Short data sheet — A short data sheet is an extract from a full data sheet with the same product type number(s) and title. A short data sheet is intended for quick reference only and should not be relied upon to contain detailed and full information. For detailed and full information see the relevant full data sheet, which is available on request via the local NXP Semiconductors sales office. In case of any inconsistency or conflict with the short data sheet, the full data sheet shall prevail.

Product specification — The information and data provided in a Product data sheet shall define the specification of the product as agreed between NXP Semiconductors and its customer, unless NXP Semiconductors and customer have explicitly agreed otherwise in writing. In no event however, shall an agreement be valid in which the NXP Semiconductors product is deemed to offer functions and qualities beyond those described in the Product data sheet.

16.3 Disclaimers

Limited warranty and liability — Information in this document is believed to be accurate and reliable. However, NXP Semiconductors does not give any representations or warranties, expressed or implied, as to the accuracy or completeness of such information and shall have no liability for the consequences of use of such information. NXP Semiconductors takes no responsibility for the content in this document if provided by an information source outside of NXP Semiconductors.

In no event shall NXP Semiconductors be liable for any indirect, incidental, punitive, special or consequential damages (including - without limitation - lost profits, lost savings, business interruption, costs related to the removal or replacement of any products or rework charges) whether or not such damages are based on tort (including negligence), warranty, breach of contract or any other legal theory.

Notwithstanding any damages that customer might incur for any reason whatsoever, NXP Semiconductors' aggregate and cumulative liability towards customer for the products described herein shall be limited in accordance with the *Terms and conditions of commercial sale* of NXP Semiconductors.

Right to make changes — NXP Semiconductors reserves the right to make changes to information published in this document, including without limitation specifications and product descriptions, at any time and without notice. This document supersedes and replaces all information supplied prior to the publication hereof.

Suitability for use in automotive applications — This NXP Semiconductors product has been qualified for use in automotive applications. Unless otherwise agreed in writing, the product is not designed, authorized or warranted to be suitable for use in life support, life-critical or safety-critical systems or equipment, nor in applications where failure or malfunction of an NXP Semiconductors product can reasonably be expected to result in personal injury, death or severe property or environmental damage. NXP Semiconductors and its suppliers accept no liability for inclusion and/or use of NXP Semiconductors products in such equipment or applications and therefore such inclusion and/or use is at the customer's own risk.

Applications — Applications that are described herein for any of these products are for illustrative purposes only. NXP Semiconductors makes no representation or warranty that such applications will be suitable for the specified use without further testing or modification.

Customers are responsible for the design and operation of their applications and products using NXP Semiconductors products, and NXP Semiconductors accepts no liability for any assistance with applications or customer product design. It is customer's sole responsibility to determine whether the NXP Semiconductors product is suitable and fit for the customer's applications and products planned, as well as for the planned application and use of customer's third party customer(s). Customers should provide appropriate design and operating safeguards to minimize the risks associated with their applications and products.

NXP Semiconductors does not accept any liability related to any default, damage, costs or problem which is based on any weakness or default in the customer's applications or products, or the application or use by customer's third party customer(s). Customer is responsible for doing all necessary testing for the customer's applications and products using NXP Semiconductors products in order to avoid a default of the applications and the products or of the application or use by customer's third party customer(s). NXP does not accept any liability in this respect.

Limiting values — Stress above one or more limiting values (as defined in the Absolute Maximum Ratings System of IEC 60134) will cause permanent damage to the device. Limiting values are stress ratings only and (proper) operation of the device at these or any other conditions above those given in the Recommended operating conditions section (if present) or the Characteristics sections of this document is not warranted. Constant or repeated exposure to limiting values will permanently and irreversibly affect the quality and reliability of the device.

Terms and conditions of commercial sale — NXP Semiconductors products are sold subject to the general terms and conditions of commercial sale, as published at <http://www.nxp.com/profile/terms>, unless otherwise agreed in a valid written individual agreement. In case an individual agreement is concluded only the terms and conditions of the respective agreement shall apply. NXP Semiconductors hereby expressly objects to applying the customer's general terms and conditions with regard to the purchase of NXP Semiconductors products by customer.

No offer to sell or license — Nothing in this document may be interpreted or construed as an offer to sell products that is open for acceptance or the grant, conveyance or implication of any license under any copyrights, patents or other industrial or intellectual property rights.

Export control — This document as well as the item(s) described herein may be subject to export control regulations. Export might require a prior authorization from competent authorities.

Translations — A non-English (translated) version of a document is for reference only. The English version shall prevail in case of any discrepancy between the translated and English versions.

16.4 Trademarks

Notice: All referenced brands, product names, service names and trademarks are the property of their respective owners.

17. Contact information

For more information, please visit: <http://www.nxp.com>

For sales office addresses, please send an email to: salesaddresses@nxp.com

18. Contents

1	General description	1
2	Features and benefits	1
3	Ordering information	2
4	Functional diagram	2
5	Pinning information	5
5.1	Pinning	5
5.2	Pin description	5
6	Functional description	6
7	Limiting values	6
8	Recommended operating conditions	7
9	Static characteristics	7
10	Dynamic characteristics	9
11	Waveforms	12
12	Application information	14
13	Package outline	16
14	Abbreviations	19
15	Revision history	19
16	Legal information	20
16.1	Data sheet status	20
16.2	Definitions	20
16.3	Disclaimers	20
16.4	Trademarks	21
17	Contact information	21
18	Contents	22

Please be aware that important notices concerning this document and the product(s) described herein, have been included in section 'Legal information'.

© NXP Semiconductors N.V. 2014. All rights reserved.

For more information, please visit: <http://www.nxp.com>
 For sales office addresses, please send an email to: salesaddresses@nxp.com

Date of release: 24 March 2014
 Document identifier: 74HC_HCT4017_Q100



Стандарт Электрон Связь

Мы молодая и активно развивающаяся компания в области поставок электронных компонентов. Мы поставляем электронные компоненты отечественного и импортного производства напрямую от производителей и с крупнейших складов мира.

Благодаря сотрудничеству с мировыми поставщиками мы осуществляем комплексные и плановые поставки широчайшего спектра электронных компонентов.

Собственная эффективная логистика и склад в обеспечивает надежную поставку продукции в точно указанные сроки по всей России.

Мы осуществляем техническую поддержку нашим клиентам и предпродажную проверку качества продукции. На все поставляемые продукты мы предоставляем гарантию .

Осуществляем поставки продукции под контролем ВП МО РФ на предприятия военно-промышленного комплекса России , а также работаем в рамках 275 ФЗ с открытием отдельных счетов в уполномоченном банке. Система менеджмента качества компании соответствует требованиям ГОСТ ISO 9001.

Минимальные сроки поставки, гибкие цены, неограниченный ассортимент и индивидуальный подход к клиентам являются основой для выстраивания долгосрочного и эффективного сотрудничества с предприятиями радиоэлектронной промышленности, предприятиями ВПК и научно-исследовательскими институтами России.

С нами вы становитесь еще успешнее!

Наши контакты:

Телефон: +7 812 627 14 35

Электронная почта: sales@st-electron.ru

Адрес: 198099, Санкт-Петербург,
Промышленная ул, дом № 19, литера Н,
помещение 100-Н Офис 331