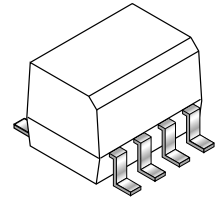


**MOCD217-M**

**DESCRIPTION**

The MOCD217-M device consists of two gallium arsenide infrared emitting diodes optically coupled to two monolithic silicon phototransistor detectors, in a surface mountable, small outline plastic package. It is ideally suited for high density applications and eliminates the need for through-the-board mounting.

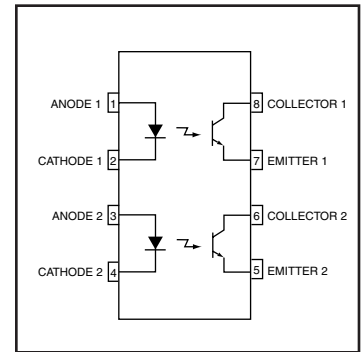


**FEATURES**

- U.L. Recognized (File #E90700, Volume 2)
- VDE Recognized (File #136616) (add option "V" for VDE approval, i.e, MOCD217V-M)
- Low Input Current (Specified @ 1 mA)
- Minimum  $BV_{CEO}$  of 30 Volts Guaranteed
- Convenient Plastic SOIC-8 Surface Mountable Package Style
- Standard SOIC-8 Footprint, with 0.050" Lead Spacing
- Compatible with Dual Wave, Vapor Phase and IR Reflow Soldering
- High Input-Output Isolation of 2500  $V_{AC(rms)}$  Guaranteed

**APPLICATIONS**

- Interfacing and coupling systems of different potentials and impedances
- General purpose switching circuits
- Monitor and detection circuits



| <b>ABSOLUTE MAXIMUM RATINGS</b> ( $T_A = 25^\circ\text{C}$ Unless otherwise specified)       |            |             |                            |
|--|------------|-------------|----------------------------|
| Rating   | Symbol     | Value       | Unit                       |
| <b>EMITTER</b>   |            |             |                            |
| Forward Current - Continuous   | $I_F$      | 60          | mA                         |
| Forward Current - Peak (PW = 100 $\mu\text{s}$ , 120 pps)                                    | $I_F$ (pk) | 1.0         | A                          |
| Reverse Voltage  | $V_R$      | 6.0         | V                          |
| LED Power Dissipation @ $T_A = 25^\circ\text{C}$<br>Derate above $25^\circ\text{C}$          | $P_D$      | 90<br>0.8   | mW<br>mW/ $^\circ\text{C}$ |
| <b>DETECTOR</b>  |            |             |                            |
| Collector-Emitter Voltage  | $V_{CEO}$  | 30          | V                          |
| Emitter-Collector Voltage  | $V_{ECO}$  | 7.0         | V                          |
| Collector Current-Continuous   | $I_C$      | 150         | mA                         |
| Detector Power Dissipation @ $T_A = 25^\circ\text{C}$<br>Derate above $25^\circ\text{C}$     | $P_D$      | 150<br>1.76 | mW<br>mW/ $^\circ\text{C}$ |
| <b>TOTAL DEVICE</b>  |            |             |                            |
| Input-Output Isolation Voltage <sup>(1,2,3)</sup><br>(f = 60 Hz, 1 min. Duration)            | $V_{ISO}$  | 2500        | Vac(rms)                   |
| Total Device Power Dissipation @ $T_A = 25^\circ\text{C}$<br>Derate above $25^\circ\text{C}$ | $P_D$      | 250<br>2.94 | mW<br>mW/ $^\circ\text{C}$ |
| Ambient Operating Temperature Range  | $T_A$      | -40 to +100 | $^\circ\text{C}$           |
| Storage Temperature Range  | $T_{stg}$  | -40 to +125 | $^\circ\text{C}$           |

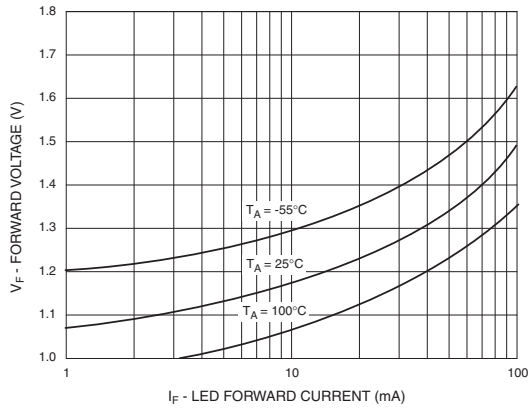
| <b>ELECTRICAL CHARACTERISTICS</b> ( $T_A = 25^\circ\text{C}$ unless otherwise specified) |  |               |           |       |     |               |
|--|--|---------------|-----------|-------|-----|---------------|
| Parameter  | Test Conditions  | Symbol        | Min       | Typ** | Max | Unit          |
| <b>EMITTER</b>   |  |               |           |       |     |               |
| Input Forward Voltage  | $I_F = 1.0 \text{ mA}$   | $V_F$         | —         | 1.05  | 1.3 | V             |
| Reverse Leakage Current  | $V_R = 6.0 \text{ V}$  | $I_R$         | —         | 0.1   | 100 | $\mu\text{A}$ |
| Capacitance  |  | C             | —         | 18    | —   | pF            |
| <b>DETECTOR</b>  |  |               |           |       |     |               |
| Collector-Emitter Dark Current   | $V_{CE} = 10 \text{ V}, T_A = 25^\circ\text{C}$                          | $I_{CEO1}$    | —         | 1.0   | 50  | nA            |
|  | $V_{CE} = 10 \text{ V}, T_A = 100^\circ\text{C}$                         | $I_{CEO2}$    | —         | 1.0   | —   | $\mu\text{A}$ |
| Collector-Emitter Breakdown Voltage  | $I_C = 100 \mu\text{A}$  | $BV_{CEO}$    | 30        | 90    | —   | V             |
| Emitter-Collector Breakdown Voltage  | $I_E = 100 \mu\text{A}$  | $BV_{ECO}$    | 7.0       | 7.8   | —   | V             |
| Collector-Emitter Capacitance  | $f = 1.0 \text{ MHz}, V_{CE} = 0 \text{ V}$                              | $C_{CE}$      | —         | 7.0   | —   | pF            |
| <b>COUPLED</b>   |  |               |           |       |     |               |
| Output Collector Current <sup>(4)</sup>  | $I_F = 1.0 \text{ mA}, V_{CE} = 5 \text{ V}$                             | CTR           | 100       | 130   | —   | %             |
| Collector-Emitter Saturation Voltage   | $I_C = 100 \mu\text{A}, I_F = 1.0 \text{ mA}$                            | $V_{CE(sat)}$ | —         | 0.35  | 0.4 | V             |
| Turn-On Time   | $I_C = 2.0 \text{ mA}, V_{CC} = 10 \text{ V}, R_L = 100 \Omega$ (fig 6.) | $t_{on}$      | —         | 7.5   | —   | $\mu\text{s}$ |
| Turn-Off Time  | $I_C = 2.0 \text{ mA}, V_{CC} = 10 \text{ V}, R_L = 100 \Omega$ (fig 6.) | $t_{off}$     | —         | 5.7   | —   | $\mu\text{s}$ |
| Rise Time  | $I_C = 2.0 \text{ mA}, V_{CC} = 10 \text{ V}, R_L = 100 \Omega$ (fig 6.) | $t_r$         | —         | 3.2   | —   | $\mu\text{s}$ |
| Fall Time  | $I_C = 2.0 \text{ mA}, V_{CC} = 10 \text{ V}, R_L = 100 \Omega$ (fig 6.) | $t_f$         | —         | 4.7   | —   | $\mu\text{s}$ |
| Isolation Surge Voltage <sup>(1,2,3)</sup>   | $f = 60 \text{ Hz}, t = 1 \text{ min.}$                                  | $V_{ISO}$     | 2500      | —     | —   | Vac(rms)      |
| Isolation Resistance <sup>(2)</sup>  | $V_{I-O} = 500 \text{ V}$  | $R_{ISO}$     | $10^{11}$ | —     | —   | $\Omega$      |
| Isolation Capacitance <sup>(2)</sup>   | $V_{I-O} = 0 \text{ V}, f = 1 \text{ MHz}$                               | $C_{ISO}$     | —         | 0.2   | —   | pF            |

\*\* Typical values at  $T_A = 25^\circ\text{C}$

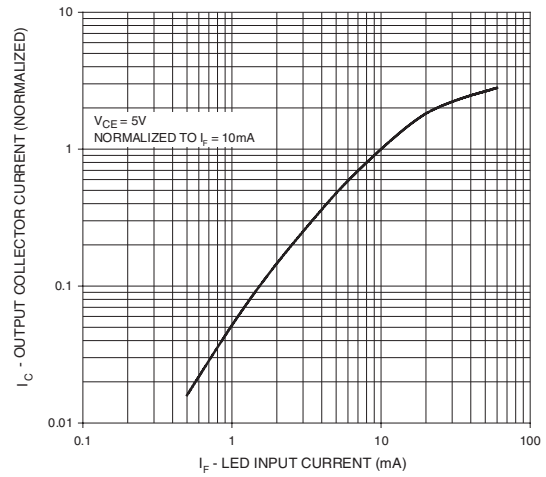
**NOTE:**

1. Input-Output Isolation Voltage,  $V_{ISO}$ , is an internal device dielectric breakdown rating.
2. For this test, Pins 1, 2, 3 and 4 are common and Pins 5, 6, 7 and 8 are common.
3.  $V_{ISO}$  rating of 2500  $V_{AC(rms)}$  for  $t = 1 \text{ min.}$  is equivalent to a rating of 3,000  $V_{AC(rms)}$  for  $t = 1 \text{ sec.}$
4. Current Transfer Ratio (CTR) =  $I_C/I_F \times 100\%$ .

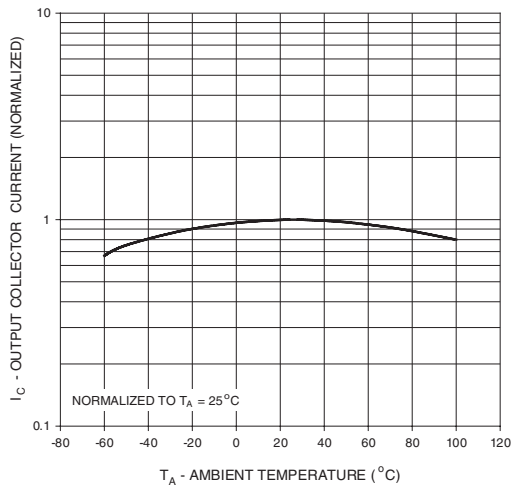
**Fig. 1 LED Forward Voltage vs. Forward Current**



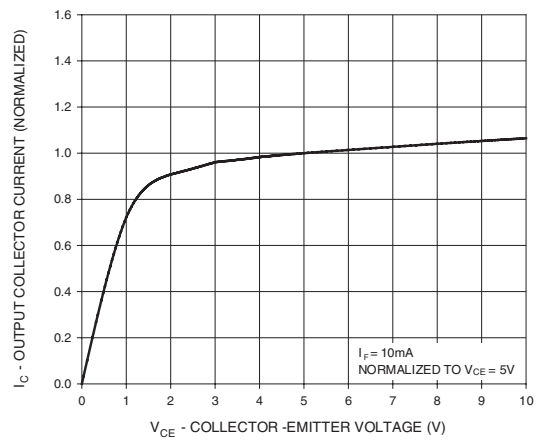
**Fig. 2 Output Current vs. Input Current**



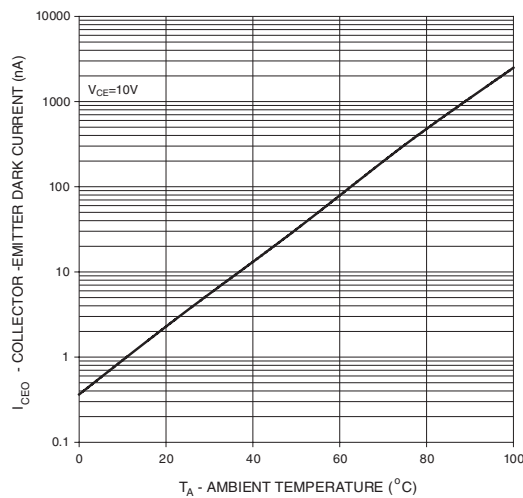
**Fig. 3 Output Current vs. Ambient Temperature**

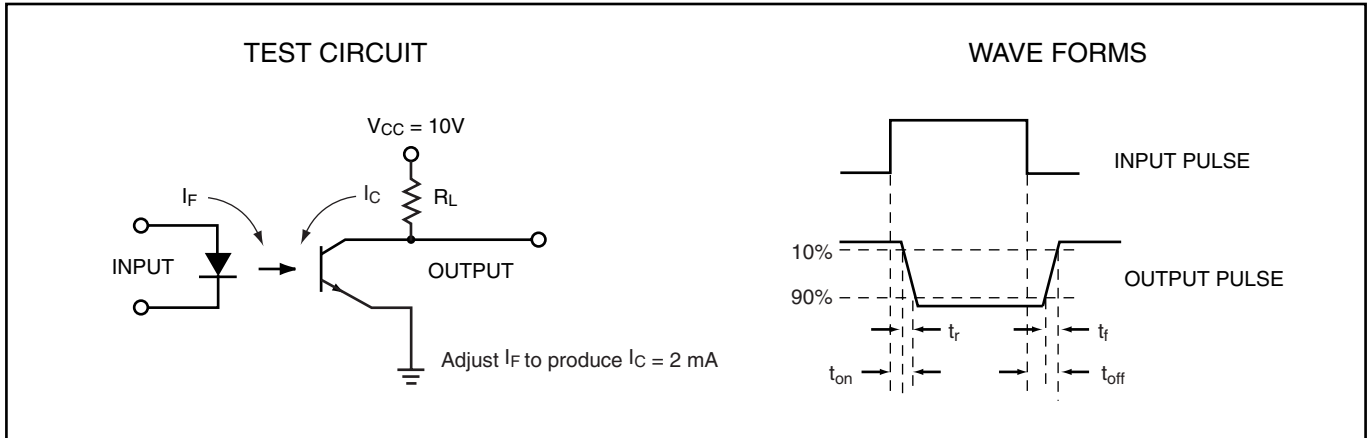


**Fig. 4 Output Current vs. Collector - Emitter Voltage**



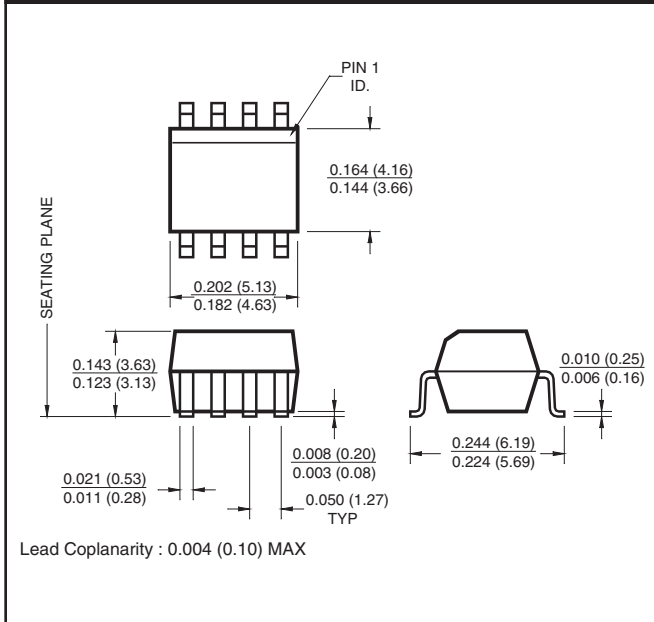
**Fig. 5 Dark Current vs. Ambient Temperature**



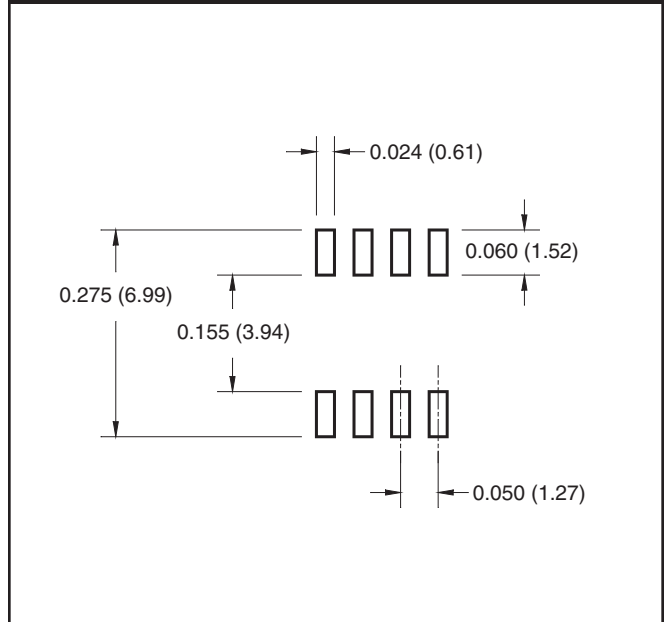


**Figure 6. Switching Time Test Circuit and Waveforms**

**Package Dimensions (Surface Mount)**



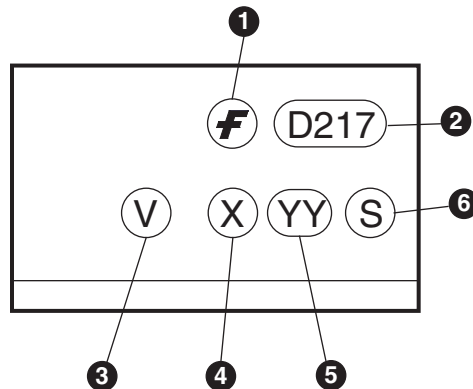
**8-Pin Small Outline**



**ORDERING INFORMATION**

| Option | Order Entry Identifier | Description                                   |
|--------|------------------------|---|
| V      | V                      | VDE 0884                                      |
| R1     | R1                     | Tape and reel (500 units per reel)            |
| R1V    | R1V                    | VDE 0884, Tape and reel (500 units per reel)  |
| R2     | R2                     | Tape and reel (2500 units per reel)           |
| R2V    | R2V                    | VDE 0884, Tape and reel (2500 units per reel) |

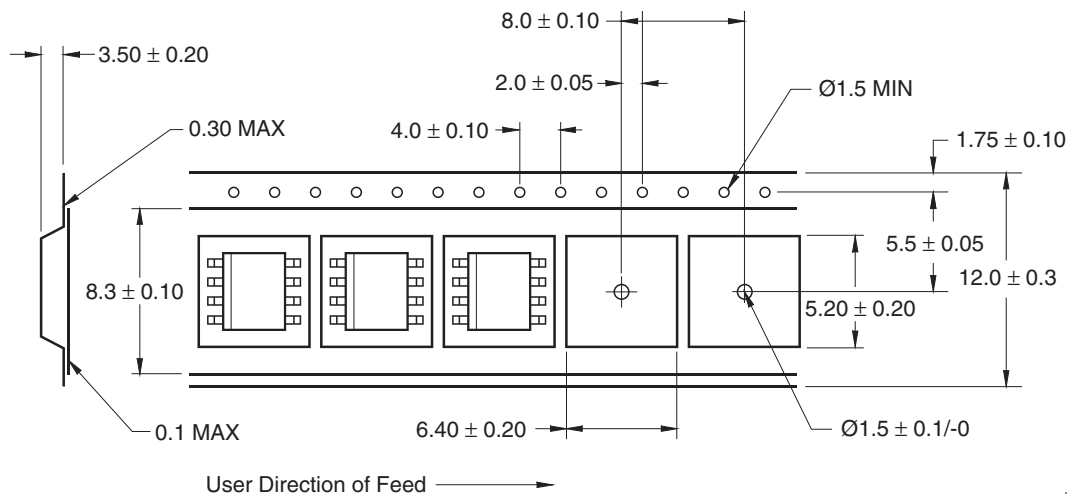
**MARKING INFORMATION**



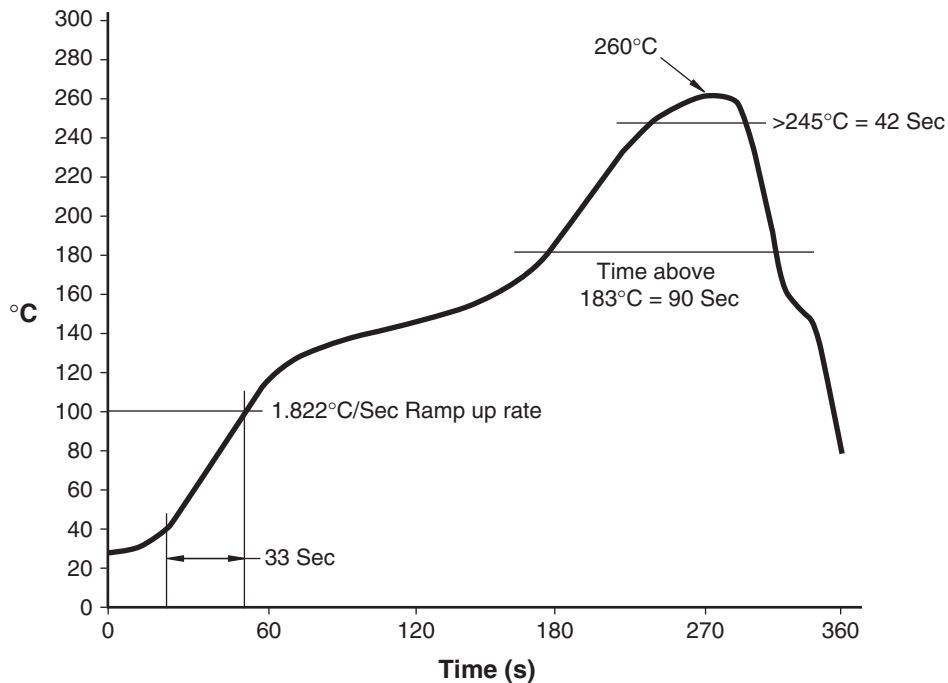
| Definitions |  |
|-------------|--|
| 1           | Fairchild logo   |
| 2           | Device number  |
| 3           | VDE mark (Note: Only appears on parts ordered with VDE option – See order entry table) |
| 4           | One digit year code, e.g., '3'   |
| 5           | Two digit work week ranging from '01' to '53'  |
| 6           | Assembly package code  |

**MOCD217-M**

**Carrier Tape Specifications**



**Reflow Profile**



**DISCLAIMER**

FAIRCHILD SEMICONDUCTOR RESERVES THE RIGHT TO MAKE CHANGES WITHOUT FURTHER NOTICE TO ANY PRODUCTS HEREIN TO IMPROVE RELIABILITY, FUNCTION OR DESIGN. FAIRCHILD DOES NOT ASSUME ANY LIABILITY ARISING OUT OF THE APPLICATION OR USE OF ANY PRODUCT OR CIRCUIT DESCRIBED HEREIN; NEITHER DOES IT CONVEY ANY LICENSE UNDER ITS PATENT RIGHTS, NOR THE RIGHTS OF OTHERS.

**LIFE SUPPORT POLICY**

FAIRCHILD'S PRODUCTS ARE NOT AUTHORIZED FOR USE AS CRITICAL COMPONENTS IN LIFE SUPPORT DEVICES OR SYSTEMS WITHOUT THE EXPRESS WRITTEN APPROVAL OF THE PRESIDENT OF FAIRCHILD SEMICONDUCTOR CORPORATION. As used herein:

1. Life support devices or systems are devices or systems which, (a) are intended for surgical implant into the body, or (b) support or sustain life, and (c) whose failure to perform when properly used in accordance with instructions for use provided in the labeling, can be reasonably expected to result in a significant injury of the user.
2. A critical component in any component of a life support device or system whose failure to perform can be reasonably expected to cause the failure of the life support device or system, or to affect its safety or effectiveness.





## Стандарт Электрон Связь

Мы молодая и активно развивающаяся компания в области поставок электронных компонентов. Мы поставляем электронные компоненты отечественного и импортного производства напрямую от производителей и с крупнейших складов мира.

Благодаря сотрудничеству с мировыми поставщиками мы осуществляем комплексные и плановые поставки широчайшего спектра электронных компонентов.

Собственная эффективная логистика и склад в обеспечивает надежную поставку продукции в точно указанные сроки по всей России.

Мы осуществляем техническую поддержку нашим клиентам и предпродажную проверку качества продукции. На все поставляемые продукты мы предоставляем гарантию .

Осуществляем поставки продукции под контролем ВП МО РФ на предприятия военно-промышленного комплекса России , а также работаем в рамках 275 ФЗ с открытием отдельных счетов в уполномоченном банке. Система менеджмента качества компании соответствует требованиям ГОСТ ISO 9001.

Минимальные сроки поставки, гибкие цены, неограниченный ассортимент и индивидуальный подход к клиентам являются основой для выстраивания долгосрочного и эффективного сотрудничества с предприятиями радиоэлектронной промышленности, предприятиями ВПК и научно-исследовательскими институтами России.

С нами вы становитесь еще успешнее!

### Наши контакты:

**Телефон:** +7 812 627 14 35

**Электронная почта:** [sales@st-electron.ru](mailto:sales@st-electron.ru)

**Адрес:** 198099, Санкт-Петербург,  
Промышленная ул, дом № 19, литера Н,  
помещение 100-Н Офис 331