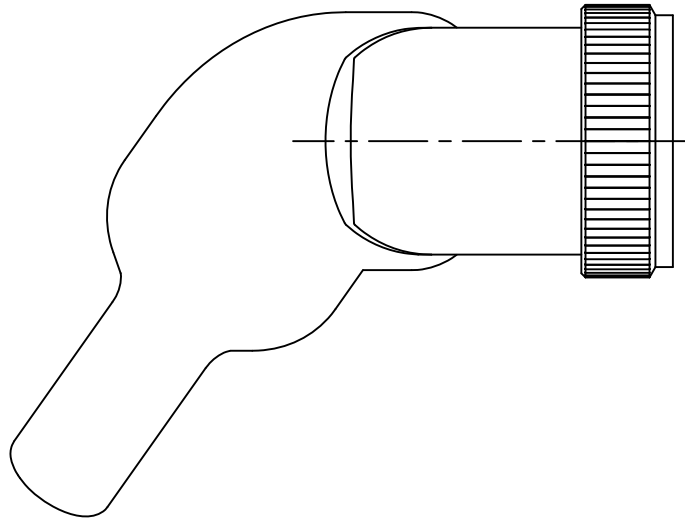


THIS DRAWING AND THE INFORMATION SET FORTH HEREON ARE THE PROPERTY OF TYCO ELECTRONICS AND ARE TO BE HELD IN TRUST AND CONFIDENCE. PUBLICATION, DUPLICATION, DISCLOSURE, OR USE FOR ANY PURPOSE NOT EXPRESSLY AUTHORIZED IN WRITING BY TYCO ELECTRONICS IS PROHIBITED.

REVISIONS

| LTR | DESCRIPTION | DATE | APPROVED |
|-----|----------------------------|----------|----------|
| A | RELEASED PER ECO-11-025206 | 12/16/11 | B. WONG |



SPIN-LOCK ADAPTER, HEAT SHRINKABLE MOLDED PART, SEALED

NOTES:

1. THIS PRODUCT IS DESIGNED TO TERMINATE A BRAIDED CABLE SHIELD AND A HEAT SHRINKABLE LIPPED BOOT TO A CONNECTOR AND PROVIDE STRAIN RELIEF.
2. SEE DRAWING "TR" FOR DETAIL ON TINEL-LOCK RING. RINGS ARE DESIGNED TO BE HEATED ELECTRICALLY. ALL RINGS ARE MARKED WITH THERMOCHROMIC PAINT WHICH CHANGES COLOR WHEN INSTALLATION TEMPERATURE IS REACHED.
3. ADAPTER TO BE PERMANENTLY MARKED WITH CODE IDENT. NO. AND PART NO. LESS RING DESIGNATOR (E.G.: 06090-XXXXXXXX-XXXX).
4. ADAPTER MATES TO MIL-C-38999, SERIES I & II, CLASS E & T; MS27466, MS27467 MS27468, MS27472, MS27473, MS27479, MS27480, MS27481, MS27484, MS27497 MS27652, MS27653, MS27656 CONNECTORS.
5. INSTALLATION PROCEDURE MIP-103.
6. PERFORMANCE SPECIFICATION MPS-103.
7. FOR ADDITIONAL ORDERING INFORMATION SEE CH00-0250-019.

If this document is printed it becomes uncontrolled. Check for the latest revision

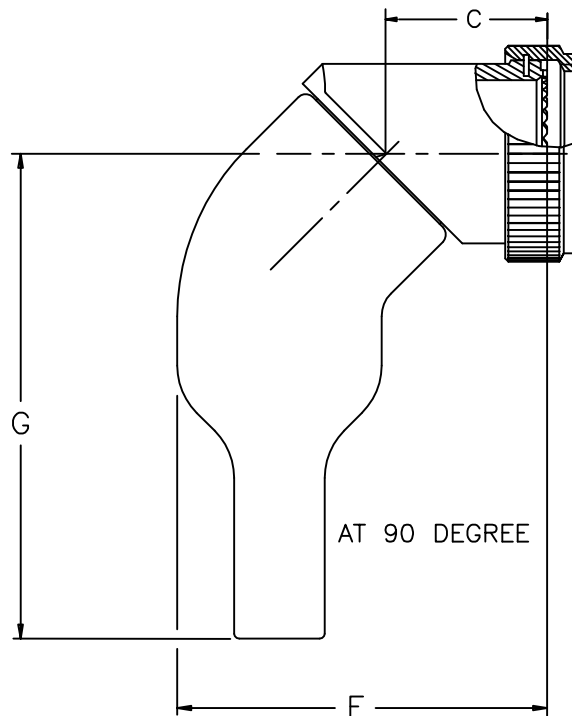
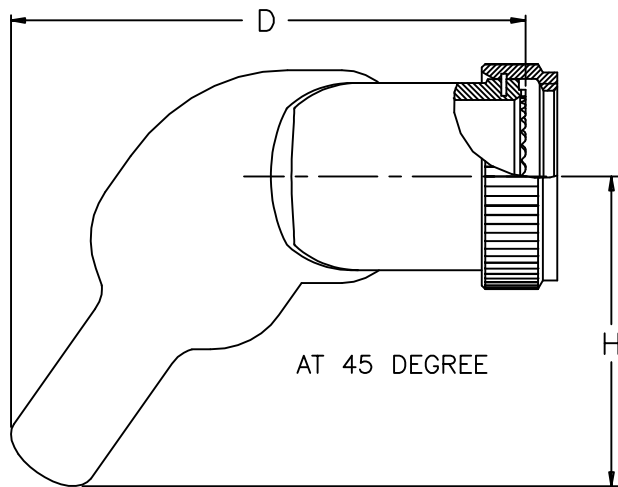
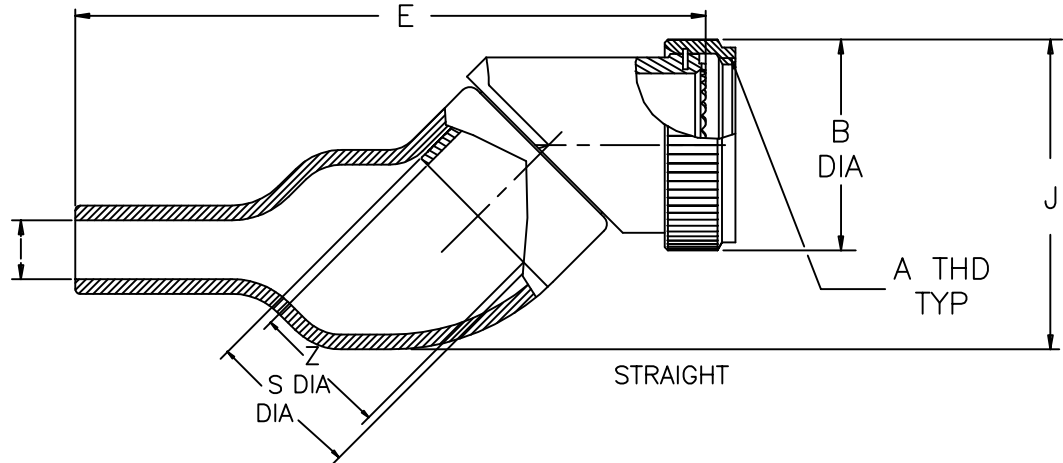
2011 Tyco Electronics Corporation. All rights reserved.

Raychem Adapters
CUSTOMER DRAWING

| | | | | |
|---|-------------------------|-------------------|--|---------------------|
| UNLESS OTHERWISE SPECIFIED DIMENSIONS ARE IN INCHES AND TOLERANCES ARE: .XXX ± — .XX ± — ± — | DRAWN D JAIN | DATE 12OCT2011 | | TE Connectivity |
| | CHECKED BERT W | DATE 12OCT2011 | | |
| MATERIAL SEE NOTES | APPROVED | DATE | TITLE SPIN-LOCK ADAPTER, HEAT SHRINKABLE MOLDED PART, SEALED, CODE 41 | |
| | THIRD ANGLE PROJECTION | | SIZE A | CAGE CODE: 06090 |
| FINISH — | CAD NAME SLM41_a.dwg | RPN: — | REV A | SHEET 1 OF 3 |
| | | | SCALE: NONE | |

| REVISIONS | | | |
|-----------|----------------------------|----------|----------|
| LTR | DESCRIPTION | DATE | APPROVED |
| A | RELEASED PER ECO-11-025206 | 12/16/11 | B. WONG |

e.g SLM 41AB - 1610A



Raychem Adapters
CUSTOMER DRAWING

| | | | |
|-------------|---------------------|-------------------|----------|
| SIZE A | CAGE CODE: 06090 | DWG. NO. SLM41 | REV A |
| SCALE: NONE | | SHEET 2 OF 3 | |

| REVISIONS | | | |
|-----------|----------------------------|----------|----------|
| LTR | DESCRIPTION | DATE | APPROVED |
| A | RELEASED PER ECO-11-025206 | 12/16/11 | B. WONG |

TABLE I

| ORDER NO. | SHELL SIZE | | AVAILABLE ENTRY SIZES | | A METRIC THD CLASS 6H | B DIA MAX | C MAX DIM |
|-----------|------------|--------|-----------------------|-------|-----------------------|-----------------|-----------------|
| | SER I | SER II | SMALL | LARGE | | | |
| 08 | 09 | 8 | 04 | - | .438-28 UNEF | .61 [15.49] | .65 [16.6] |
| 10 | 11 | 10 | 04 | 06 | .562-24 UNEF | .73 [18.54] | .76 [19.20] |
| 12 | 13 | 12 | 06 | 08 | .688-24 UNEF | .85 [21.59] | .83 [21.2] |
| 14 | 15 | 14 | 08 | 10 | .812-20 UNEF | 1.01 [25.65] | .94 [23.90] |
| 16 | 17 | 16 | 10 | 12 | .938-20 UNEF | 1.14 [28.95] | .92 [23.37] |
| 18 | 19 | 18 | 10 | 14 | 1.062-18 UNEF | 1.28 [32.51] | 1.37 [34.8] |
| 20 | 21 | 20 | 12 | 16 | 1.188-18 UNEF | 1.40 [35.56] | 1.02 [25.08] |
| 22 | 23 | 22 | 14 | 18 | 1.312-18 UNEF | 1.54 [39.11] | 1.13 [28.8] |
| 24 | 25 | 24 | 16 | 20 | 1.438-18 UNEF | 1.66 [42.16] | 1.15 [29.23] |

TABLE II

| ORDER NO. | D MAX DIM | E MAX DIM | F MAX DIM | G MAX DIM | H MAX DIM | I MAX DIM | J MAX DIM |
|-----------|-----------------|------------------|-----------------|-----------------|-----------------|-----------------|-----------------|
| 08 | 2.00 [50.7] | 2.45 [62.23] | 1.50 [38.02] | 1.82 [46.2] | 1.03 [26.16] | 1.05 [26.67] | 1.15 [29.20] |
| 10 | 2.28 [57.91] | 3.02 [76.75] | 1.65 [41.91] | 2.33 [59.18] | 1.32 [33.50] | 1.10 [27.9] | 1.35 [34.40] |
| 12 | 2.44 [62.0] | 3.15 [76.70] | 1.80 [45.80] | 2.33 [59.18] | 1.37 [34.80] | 1.20 [30.5] | 1.41 [35.9] |
| 14 | 2.70 [68.50] | 3.47 [88.1] | 2.03 [51.6] | 2.55 [64.77] | 1.52 [38.61] | 1.15 [29.21] | 1.61 [41.1] |
| 16 | 2.65 [67.40] | 3.52 [89.5] | 2.03 [51.56] | 2.55 [64.77] | 1.44 [36.5] | 1.20 [30.5] | 1.76 [44.8] |
| 18 | 2.64 [67.1] | 3.85 [97.90] | 2.23 [56.64] | 2.90 [73.66] | 1.77 [44.96] | 1.15 [29.21] | 1.89 [48.10] |
| 20 | 2.94 [74.8] | 3.89 [98.81] | 2.24 [56.90] | 2.90 [73.66] | 1.77 [44.96] | 1.20 [30.5] | 1.95 [49.6] |
| 22 | 3.43 [87.12] | 4.43 [112.52] | 2.52 [64.01] | 3.36 [85.34] | 2.16 [54.86] | 1.20 [30.5] | 2.23 [56.66] |
| 24 | 3.53 [89.65] | 4.52 [114.79] | 2.61 [66.4] | 3.36 [85.34] | 2.16 [54.86] | 1.20 [30.5] | 2.33 [59.18] |

TABLE III

| ENTRY SIZE | MOLDED PART DESCRIPTION | S DIA | Z +.010 -.020 |
|------------|-------------------------|-----------------------------------|---------------------|
| 04 | 245W032 | .376 [9.55] .370 [9.40] | .250 [6.35] |
| 06 | 245W042 | .501 [12.73] .495 [12.57] | .375 [9.53] |
| 08 | 245W042 | .626 [15.90] .619 [15.72] | .500 [12.70] |
| 10 | 245W053 | .752 [19.10] .742 [18.85] | .625 [15.88] |
| 12 | 245W053 | .877 [22.28] .867 [22.02] | .750 [19.05] |
| 14 | 245W063 | 1.002 [25.45] .991 [25.17] | .875 [22.23] |
| 16 | 245W063 | 1.127 [28.63] 1.116 [28.35] | 1.000 [25.40] |
| 18 | 245W074 | 1.252 [31.80] 1.241 [31.52] | 1.125 [28.58] |
| 20 | 245W074 | 1.377 [34.98] 1.366 [34.70] | 1.250 [31.75] |

Raychem Adapters

CUSTOMER DRAWING

| | | | |
|-----------|---------------------|-------------------|--------------|
| SIZE A | CAGE CODE: 06090 | DWG. NO. SLM41 | REV A |
| | | | SHEET 3 OF 3 |



Стандарт Электрон Связь

Мы молодая и активно развивающаяся компания в области поставок электронных компонентов. Мы поставляем электронные компоненты отечественного и импортного производства напрямую от производителей и с крупнейших складов мира.

Благодаря сотрудничеству с мировыми поставщиками мы осуществляем комплексные и плановые поставки широчайшего спектра электронных компонентов.

Собственная эффективная логистика и склад в обеспечивает надежную поставку продукции в точно указанные сроки по всей России.

Мы осуществляем техническую поддержку нашим клиентам и предпродажную проверку качества продукции. На все поставляемые продукты мы предоставляем гарантию .

Осуществляем поставки продукции под контролем ВП МО РФ на предприятия военно-промышленного комплекса России , а также работаем в рамках 275 ФЗ с открытием отдельных счетов в уполномоченном банке. Система менеджмента качества компании соответствует требованиям ГОСТ ISO 9001.

Минимальные сроки поставки, гибкие цены, неограниченный ассортимент и индивидуальный подход к клиентам являются основой для выстраивания долгосрочного и эффективного сотрудничества с предприятиями радиоэлектронной промышленности, предприятиями ВПК и научно-исследовательскими институтами России.

С нами вы становитесь еще успешнее!

Наши контакты:

Телефон: +7 812 627 14 35

Электронная почта: sales@st-electron.ru

Адрес: 198099, Санкт-Петербург,
Промышленная ул, дом № 19, литера Н,
помещение 100-Н Офис 331