

LMX2531

High Performance Frequency Synthesizer System with Integrated VCO

General Description

The LMX2531 is a low power, high performance frequency synthesizer system which includes a fully integrated delta-sigma PLL and VCO with fully integrated tank circuit. The third and fourth poles are also integrated and also adjustable. Also included are integrated ultra-low noise and high precision LDOs for the PLL and VCO which give higher supply noise immunity and also more consistent performance. When combined with a high quality reference oscillator, the LMX2531 generates very stable, low noise local oscillator signals for up and down conversion in wireless communication devices. The LMX2531 is a monolithic integrated circuit, fabricated in an advanced BiCMOS process. There are several different versions of this product in order to accommodate different frequency bands.

Device programming is facilitated using a three-wire MICROWIRE Interface that can operate down to 1.8 volts.

Supply voltage range is 2.8 to 3.2 Volts. The LMX2531 is available in a 36 pin 6x6x0.8 mm Lead-Free Leadless Lead-frame Package (LLP).

Target Applications

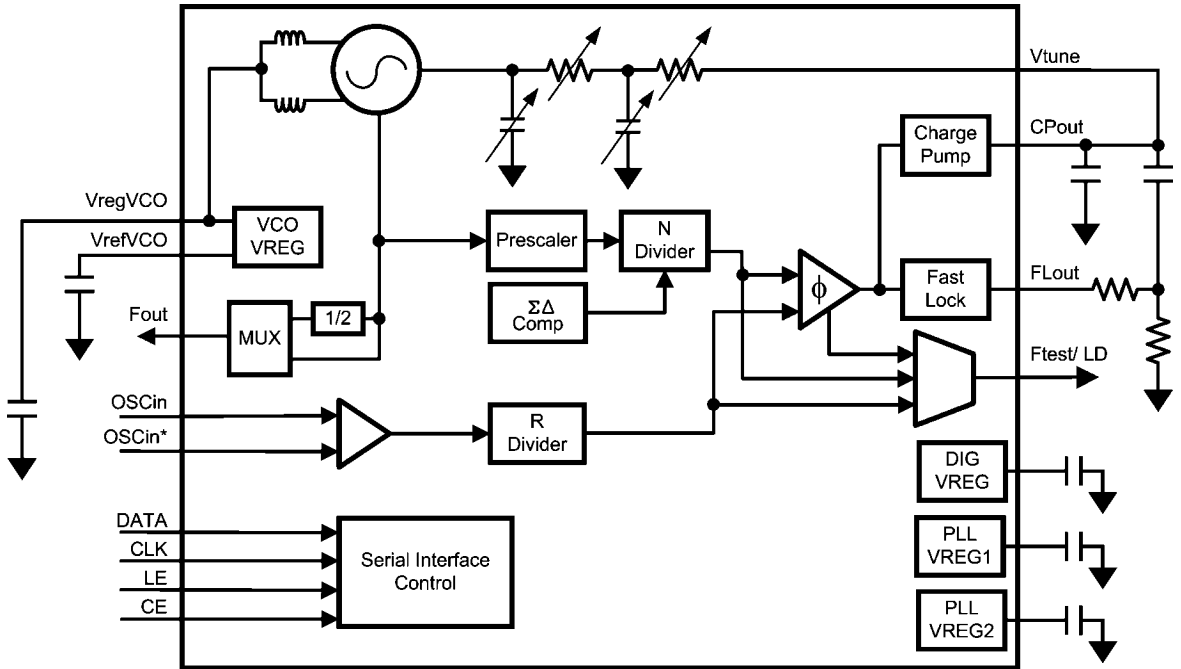
- 3G Cellular Base Stations (WCDMA, TD-SCDMA, CDMA2000)
- 2G Cellular Base Stations (GSM/GPRS, EDGE, CDMA1xRTT)
- Wireless LAN
- Broadband Wireless Access
- Satellite Communications
- Wireless Radio
- Automotive
- CATV Equipment
- Instrumentation and Test Equipment
- RFID Readers

Features

- **Multiple Frequency Options Available**
 - See Selection Guide Below
 - Frequencies from: 765 MHz - 2790 MHz
- **PLL Features**
 - Fractional-N Delta Sigma Modulator Order programmable up to 4th order
 - FastLock/Cycle Slip Reduction with Timeout Counter
 - Partially integrated, adjustable Loop Filter
 - Very low phase noise and spurs
- **VCO Features**
 - Integrated tank inductor
 - Low phase noise
- **Other Features**
 - 2.8 V to 3.2 V Operation
 - Low Power-Down Current
 - 1.8V MICROWIRE Support
 - Package: 36 Lead LLP

| Part | Low Band | High Band |
|----------------|-----------------|-----------------|
| LMX2531LQ1570E | 765 - 818 MHz | 1530 - 1636 MHz |
| LMX2531LQ1650E | 795 - 850 MHz | 1590 - 1700 MHz |
| LMX2531LQ1700E | 831 - 885 MHz | 1662 - 1770 MHz |
| LMX2531LQ1742 | 880 - 933 MHz | 1760 - 1866 MHz |
| LMX2531LQ1778E | 863 - 920 MHz | 1726 - 1840 MHz |
| LMX2531LQ1910E | 917 - 1014 MHz | 1834 - 2028 MHz |
| LMX2531LQ2080E | 952 - 1137 MHz | 1904 - 2274 MHz |
| LMX2531LQ2265E | 1089 - 1200 MHz | 2178 - 2400 MHz |
| LMX2531LQ2570E | 1168 - 1395 MHz | 2336 - 2790 MHz |

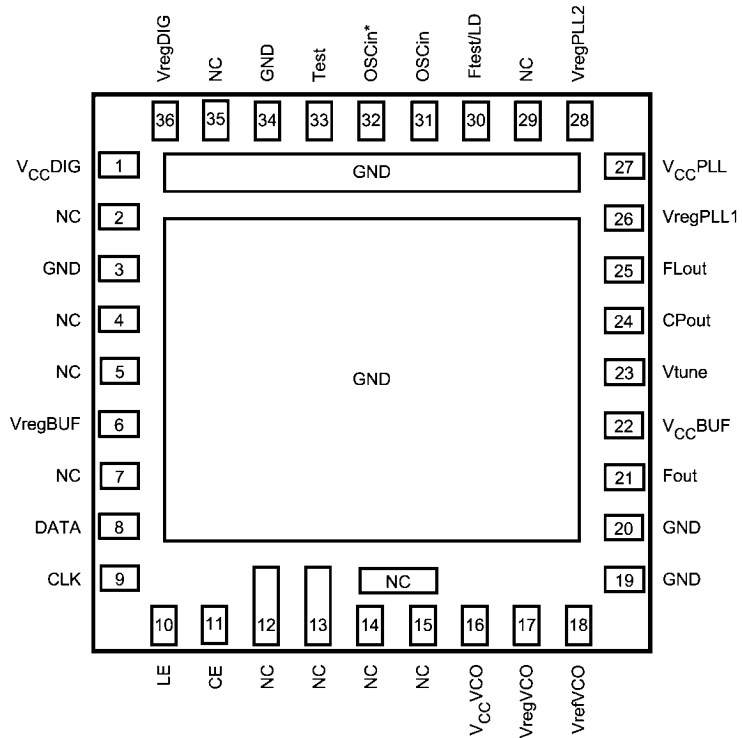
Functional Block Diagram



20101101

Connection Diagram

36-Pin LLP (LQ) Package

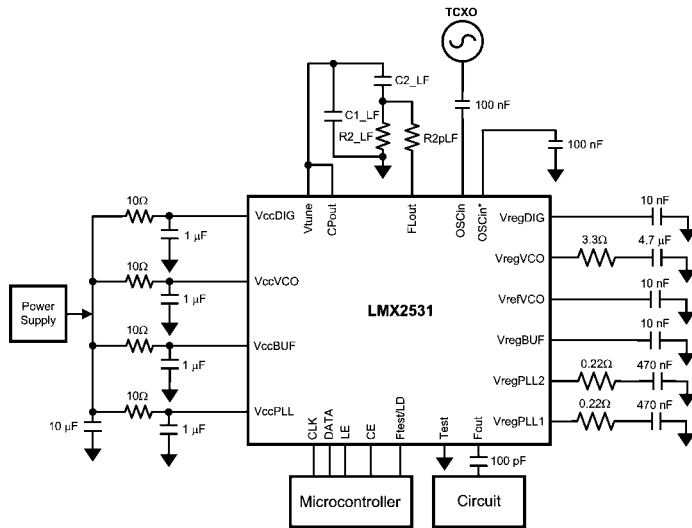


20101102

Pin Descriptions

| Pin # | Pin Name | I/O | Description |
|-------------------------------|----------|-----|--|
| 1 | VccDIG | - | Power Supply for digital LDO circuitry. Input may range from 2.8 - 3.2 V. Bypass capacitors should be placed as close as possible to this pin and ground. |
| 3 | GND | - | Ground |
| 2,4,5,7, 12, 13, 29, 35 | NC | - | No Connect. |
| 6 | VregBUF | - | Internally regulated voltage for the VCO buffer circuitry. Connect to ground with a capacitor. |
| 8 | DATA | I | MICROWIRE serial data input. High impedance CMOS input. This pin must not exceed 2.75V. Data is clocked in MSB first. The last bits clocked in form the control or register select bits. |
| 9 | CLK | I | MICROWIRE clock input. High impedance CMOS input. This pin must not exceed 2.75V. Data is clocked into the shift register on the rising edge. |
| 10 | LE | I | MICROWIRE Latch Enable input. High impedance CMOS input. This pin must not exceed 2.75V. Data stored in the shift register is loaded into the selected latch register when LE goes HIGH. |
| 11 | CE | I | Chip Enable Input. High impedance CMOS input. This pin must not exceed 2.75V. When CE is brought high the LMX2531 is powered up corresponding to the internal power control bits. It is necessary to reprogram the R0 register to get the part to re-lock. |
| 14, 15 | NC | - | No Connect. Do NOT ground. |
| 16 | VccVCO | - | Power Supply for VCO regulator circuitry. Input may range from 2.8 - 3.2 V. Bypass capacitors should be placed as close as possible to this pin and ground. |
| 17 | VregVCO | - | Internally regulated voltage for VCO circuitry. Not intended to drive an external load. Connect to ground with a capacitor and some series resistance. |
| 18 | VrefVCO | - | Internal reference voltage for VCO LDO. Not intended to drive an external load. Connect to ground with a capacitor. |
| 19 | GND | - | Ground for the VCO circuitry. |
| 20 | GND | - | Ground for the VCO Output Buffer circuitry. |
| 21 | Fout | O | Buffered RF Output for the VCO. |
| 22 | VccBUF | - | Power Supply for the VCO Buffer circuitry. Input may range from 2.8 - 3.2 V. Bypass capacitors should be placed as close as possible to this pin and ground. |
| 23 | Vtune | I | Tuning voltage input for the VCO. For connection to the CPout Pin through an external passive loop filter. |
| 24 | CPout | O | Charge pump output for PLL. For connection to Vtune through an external passive loop filter. |
| 25 | FLout | O | An open drain NMOS output which is used for FastLock or a general purpose output. |
| 26 | VregPLL1 | - | Internally regulated voltage for PLL charge pump. Not intended to drive an external load. Connect to ground with a capacitor. |
| 27 | VccPLL | - | Power Supply for the PLL. Input may range from 2.8 - 3.2 V. Bypass capacitors should be placed as close as possible to this pin and ground. |
| 28 | VregPLL2 | - | Internally regulated voltage for RF digital circuitry. Not intended to drive an external load. Connect to ground with a capacitor. |
| 30 | Ftest/LD | O | Multiplexed CMOS output. Typically used to monitor PLL lock condition. |
| 31 | OSCin | I | Oscillator input. |
| 32 | OSCin* | I | Oscillator complimentary input. When a single ended source is used, then a bypass capacitor should be placed as close as possible to this pin and be connected to ground. |
| 33 | Test | O | This pin is for test purposes and should be grounded for normal operation. |
| 34 | GND | - | Ground |
| 36 | VregDIG | - | Internally regulated voltage for LDO digital circuitry. |

Connection Diagram



20101111

| Pin(s) | Application Information |
|--------------------------------------|--|
| VccDIG VccVCO VccBUF VccPLL | Because the LMX2531 contains internal regulators, the power supply noise rejection is very good and capacitors at this pin are not critical. If desired, capacitors can be placed at these pins to improve the noise rejection. Recommended values are from open to 1 μ F. |
| VregDIG | There is not really any reason to use any other values than the recommended values. |
| VrefVCO | If the VregVCO capacitor is changed, it is recommended to keep this capacitor between 1/100 and 1/1000 of the value of the VregVCO capacitor. |
| VregVCO | Because this pin is the output of a regulator, there are be stability concerns if there is not sufficient series resistance. For ceramic capacitors the ESR (Equivalent Series Resistance) is too low, and it recommended that a series resistance of 1 - 3.3 Ω is necessary. If there is insufficient ESR, then there may be degradation in the phase noise, especially in the 100 - 300 kHz offset. Recommended values are from 1 μ F to 10 μ F. |
| VregPLL1 VregPLL2 | The choice of the capacitor value at this pin involves a trade-off between integer spurs and phase noise in the 100 - 300 kHz offset range. If too much series resistance is at this pin, the spurs at far offset will be severely degraded. If there is too little, the phase noise may be degraded. A 470 nF capacitor in series with 220 m Ω provides optimal spurs with a minimal degradation in phase noise, although these optimal values may be design specific. |
| CLK DATA LE | Since the maximum voltage on these pins is less than the minimum Vcc voltage, level shifting may be required, if the output voltage of the microcontroller is too high. This can be accomplished with a resistive divider. |
| CE | As with the CLK, DATA, and LE pins, level shifting may be required if the output voltage of the microcontroller is too high. A resistive divider is or a series diode are two ways to accomplish this. The diode has the advantage that no current flows through it when the chip is powered down. |
| Ftest/LD | It is an option to use the lock detect information from this pin. |
| Fout | This is the high frequency output. This needs to be AC coupled, and matching may also be required. The value of the DC blocking capacitor may be changed, depending on the output frequency. |
| CPout Vtune | In most cases, it is sufficient to short these together. C1_LF, C2_LF, and R2_LF are used in conjunction with the internal loop filter to make a fourth order loop filter. However, the user always has the option of adding additional poles. |
| R2pLF | This is the fastlock resistor, which can be useful in many cases, since the spurs are often better with low charge pump currents, and the internal loop filter can be adjusted during fastlock. |
| OSCin | This is the crystal oscillator input pin. It needs to be AC coupled. |
| OSCin* | If the device is being driven single-ended, this pin needs to be shunted to ground with a capacitor. |

Absolute Maximum Ratings (Note 1)

If Military/Aerospace specified devices are required, please contact the National Semiconductor Sales Office/ Distributors for availability and specifications.

| Parameter | Symbol | Ratings | Units |
|----------------------------------|---|-------------|-------|
| Power Supply Voltage | V_{CC} (VccDIG, VccVCO, VccBUF, VccPLL) | -0.3 to 3.5 | V |
| | All other pins (Except Ground) | -0.3 to 3.0 | |
| Storage Temperature Range | T_{STG} | -65 to 150 | °C |
| Lead Temperature (solder 4 sec.) | T_L | + 260 | °C |

Recommended Operating Conditions

| Parameter | Symbol | Min | Typ | Max | Units |
|--|----------|-----|-----|------|-------|
| Power Supply Voltage (VccDig, VccVCO, VccBUF) | V_{CC} | 2.8 | 3.0 | 3.2 | V |
| Serial Interface and Power Control Voltage | V_i | 0 | | 2.75 | V |
| Ambient Temperature (Note 3) | T_A | -40 | | +85 | °C |

Note 1: Absolute Maximum Ratings indicate limits beyond which damage to the device may occur. Recommended Operating Conditions indicate conditions for which the device is intended to be functional, but do not guarantee specific performance limits. For guaranteed specifications and test conditions, see the Electrical Characteristics. The guaranteed specifications apply only to the test conditions listed.

Electrical Characteristics ($V_{CC} = 3.0\text{ V}$, $-40^{\circ}\text{C} \leq T_A \leq 85^{\circ}\text{C}$; except as specified.)

| Symbol | Parameter | Conditions | Min | Typ | Max | Units |
|----------------------------|---|---|------|------|------|-----------------|
| Current Consumption | | | | | | |
| I_{CC} | Power Supply Current (All Parts Except LMX2531LQ2265E, LMX2531LQ2570E) | Divider Disabled | | 34 | 41 | mA |
| | | Divider Enabled | | 37 | 46 | |
| | Power Supply Current (LMX2351LQ2265E, LMX2531LQ2570E) | Divider Disabled | | 38 | 44 | |
| | | Divider Enabled | | 41 | 49 | |
| I_{CC}^{PD} | Power Down Current | CE = 0 V, Part Initialized | | 7 | | μA |
| Oscillator | | | | | | |
| I_{IH}^{OSC} | Oscillator Input High Current | $V_{IH} = 2.75\text{ V}$ | | | 100 | μA |
| I_{IL}^{OSC} | Oscillator Input Low Current | $V_{IL} = 0$ | -100 | | | μA |
| f_{OSCin} | Frequency Range | | 5 | | 80 | MHz |
| V_{OSCin} | Oscillator Sensitivity | | 0.5 | | 2.0 | V _{pp} |
| PLL | | | | | | |
| f_{COMP} | Phase Detector Frequency | | | | 32 | MHz |
| I_{CPout} | Charge Pump Output Current Magnitude | ICP = 0 | | 90 | | μA |
| | | ICP = 1 | | 180 | | μA |
| | | ICP = 3 | | 360 | | μA |
| | | ICP = 15 | | 1440 | | μA |
| I_{CPout}^{TRI} | CP TRI-STATE Current | $0.4\text{ V} < V_{CPout} < 2.0\text{ V}$ | | 2 | 10 | nA |
| I_{CPout}^{MM} | Charge Pump Sink vs. Source Mismatch | $V_{CPout} = 1.2\text{ V}$ $T_A = 25^{\circ}\text{C}$ | | 2 | 8 | % |
| I_{CPout}^V | Charge Pump Current vs. CP Voltage Variation | $0.4\text{ V} < V_{CPout} < 2.0\text{ V}$ $T_A = 25^{\circ}\text{C}$ | | 4 | | % |
| I_{CPout}^T | CP Current vs. Temperature Variation | $V_{CPout} = 1.2\text{ V}$ | | 8 | | % |
| LN(f) | Normalized Phase Noise Contribution (Note 2) | ICP = 1X Charge Pump Gain 4 kHz Offset | | -202 | | dBc/Hz |
| | | ICP = 16X Charge Pump Gain 4 kHz Offset | | -212 | | |
| VCO Frequencies | | | | | | |
| f_{Fout} | Operating Frequency Range (All options have a frequency divider, this applies before the divider. The frequency after the divider is half of what is shown) | LMX2531LQ1570E | 1530 | | 1636 | MHz |
| | | LMX2531LQ1650E | 1590 | | 1700 | |
| | | LMX2531LQ1700E | 1662 | | 1770 | |
| | | LMX2531LQ1742 | 1760 | | 1866 | |
| | | LMX2531LQ1778E | 1726 | | 1840 | |
| | | LMX2531LQ1910E | 1834 | | 2028 | |
| | | LMX2531LQ2080E | 1904 | | 2274 | |
| | | LMX2531LQ2265E | 2178 | | 2400 | |
| LMX2531LQ2570E | 2336 | | 2790 | | | |

| Symbol | Parameter | Conditions | Min | Typ | Max | Units | |
|---------------------------------|---|--|---|-------|------|-------|-----|
| Other VCO Specifications | | | | | | | |
| ΔT_{CL} | Maximum Allowable Temperature Drift for Continuous Lock (Note 3) | LMX2531LQ1742 | 65 | | | °C | |
| | | LMX2531LQ1570E, LMX2531LQ1650E | 90 | | | | |
| | | LMX2531LQ1700E, LMX2531LQ1778E, LMX2531LQ1910E, LMX2531LQ2080E, LMX2531LQ2265E, LMX2531LQ2570E | 125 | | | | |
| P_{Fout} | Output Power to a 50Ω/5pF Load (Applies across entire tuning range.) | LMX2531LQ1570E | Divider Disabled | 2.0 | 4.5 | 8.0 | dBm |
| | | LMX2531LQ1650E | | 2.0 | 4.5 | 8.0 | |
| | | LMX2531LQ1700E | | 1.0 | 3.5 | 7.0 | |
| | | LMX2531LQ1742 | | 1.0 | 3.5 | 7.0 | |
| | | LMX2531LQ1778E | | 1.0 | 3.5 | 7.0 | |
| | | LMX2531LQ1910E | | 1.0 | 3.5 | 7.0 | |
| | | LMX2531LQ2080E | | 1.0 | 3.5 | 7.0 | |
| | | LMX2531LQ2265E | | 1.0 | 3.5 | 7.0 | |
| | | LMX2531LQ2570E | 0.0 | 3.0 | 6.0 | | |
| | | LMX2531LQ1570E | Divider Enabled | 1.0 | 3.0 | 6.0 | dBm |
| | | LMX2531LQ1650E | | 1.0 | 3.0 | 6.0 | |
| | | LMX2531LQ1700E | | 1.0 | 3.0 | 6.0 | |
| | | LMX2531LQ1742 | | 1.0 | 3.0 | 6.0 | |
| | | LMX2531LQ1778E | | 1.0 | 3.0 | 6.0 | |
| | | LMX2531LQ1910E | | 1.0 | 3.0 | 6.0 | |
| | | LMX2531LQ2080E | | 0.0 | 2.5 | 5.0 | |
| LMX2531LQ2265E | 0.0 | 2.5 | | 5.0 | | | |
| LMX2531LQ2570E | -1.0 | 1.5 | 4.0 | | | | |
| K_{Vtune} | Fine Tuning Sensitivity (When a range is displayed in the typical column, indicates the lower sensitivity is typical at the lower end of the tuning range, and the higher tuning sensitivity is typical at the higher end of the tuning range.) | LMX2531LQ1570E | | 4-7 | | MHz/V | |
| | | LMX2531LQ1650E | | 4-7 | | | |
| | | LMX2531LQ1700E | | 6-10 | | | |
| | | LMX2531LQ1742 | | 4-7 | | | |
| | | LMX2531LQ1778E | | 6-10 | | | |
| | | LMX2531LQ1910E | | 8-14 | | | |
| | | LMX2531LQ2080E | | 9-20 | | | |
| | | LMX2531LQ2265E | | 10-16 | | | |
| LMX2531LQ2570E | | 10-23 | | | | | |
| HS_{Fout} | Harmonic Suppression (Applies Across Entire Tuning Range) | 2nd Harmonic, 50Ω / 5pF Load | Divider Disabled | | -30 | -25 | dBc |
| | | | Divider Enabled | | -20 | -15 | |
| | | 3rd Harmonic, 50Ω / 5pF Load | Divider Disabled | | -40 | -35 | |
| | | | Divider Enabled LMX2531LQ1570E LMX2531LQ1650E | | -20 | -15 | |
| | | | Divider Enabled All Other Options | | -25 | -20 | |
| $PUSH_{Fout}$ | Frequency Pushing | $C_{reg} = 0.1\mu F, V_{DD} \pm 100mV, \text{Open Loop}$ | | 300 | | kHz/V | |
| $PULL_{Fout}$ | Frequency Pulling | VSWR=2:1, Open Loop | | | ±600 | kHz | |
| Z_{Fout} | Output Impedance | | | 50 | | Ω | |

| Symbol | Parameter | Conditions | | | Min | Typ | Max | Units |
|---------------------------------|---------------------------------|------------------------------------|----------------|--|------|-----|--------|-------|
| VCO Phase Noise (Note 4) | | | | | | | | |
| $L(f)_{Fout}$ | Phase Noise (LMX2531LQ1570E) | $f_{Fout} = 1583$ MHz DIV2 = 0 | 10 kHz Offset | | -93 | | dBc/Hz | |
| | | | 100 kHz Offset | | -118 | | | |
| | | | 1 MHz Offset | | -140 | | | |
| | | | 5 MHz Offset | | -154 | | | |
| | | $f_{Fout} = 791.5$ MHz DIV2 = 1 | 10 kHz Offset | | -99 | | | |
| | | | 100 kHz Offset | | -122 | | | |
| | | | 1 MHz Offset | | -144 | | | |
| | | | 5 MHz Offset | | -155 | | | |
| $L(f)_{Fout}$ | Phase Noise (LMX2531LQ1650E) | $f_{Fout} = 1645$ MHz DIV2 = 0 | 10 kHz Offset | | -93 | | dBc/Hz | |
| | | | 100 kHz Offset | | -118 | | | |
| | | | 1 MHz Offset | | -140 | | | |
| | | | 5 MHz Offset | | -154 | | | |
| | | $f_{Fout} = 822.5$ MHz DIV2 = 1 | 10 kHz Offset | | -99 | | | |
| | | | 100 kHz Offset | | -122 | | | |
| | | | 1 MHz Offset | | -144 | | | |
| | | | 5 MHz Offset | | -155 | | | |
| $L(f)_{Fout}$ | Phase Noise (LMX2531LQ1700E) | $f_{Fout} = 1716$ MHz DIV2 = 0 | 10 kHz Offset | | -92 | | dBc/Hz | |
| | | | 100 kHz Offset | | -117 | | | |
| | | | 1 MHz Offset | | -139 | | | |
| | | | 5 MHz Offset | | -153 | | | |
| | | $f_{Fout} = 858$ MHz DIV2 = 1 | 10 kHz Offset | | -98 | | | |
| | | | 100 kHz Offset | | -122 | | | |
| | | | 1 MHz Offset | | -144 | | | |
| | | | 5 MHz Offset | | -154 | | | |
| $L(f)_{Fout}$ | Phase Noise (LMX2531LQ1742) | $f_{Fout} = 1813$ MHz | 10 kHz Offset | | -92 | | dBc/Hz | |
| | | | 100 kHz Offset | | -117 | | | |
| | | | 1 MHz Offset | | -140 | | | |
| | | | 5 MHz Offset | | -152 | | | |
| | | $f_{Fout} = 906.5$ MHz DIV2 = 1 | 10 kHz Offset | | -99 | | | |
| | | | 100 kHz Offset | | -122 | | | |
| | | | 1 MHz Offset | | -143 | | | |
| | | | 5 MHz Offset | | -152 | | | |
| $L(f)_{Fout}$ | Phase Noise (LMX2531LQ1778E) | $f_{Fout} = 1783$ MHz | 10 kHz Offset | | -92 | | dBc/Hz | |
| | | | 100 kHz Offset | | -117 | | | |
| | | | 1 MHz Offset | | -139 | | | |
| | | | 5 MHz Offset | | -152 | | | |
| | | $f_{Fout} = 891.5$ MHz | 10 kHz Offset | | -97 | | | |
| | | | 100 kHz Offset | | -122 | | | |
| | | | 1 MHz Offset | | -144 | | | |
| | | | 5 MHz Offset | | -154 | | | |
| $L(f)_{Fout}$ | Phase Noise (LMX2531LQ1910E) | $f_{Fout} = 1931$ | 10 kHz Offset | | -89 | | dBc/Hz | |
| | | | 100 kHz Offset | | -115 | | | |
| | | | 1 MHz Offset | | -138 | | | |
| | | | 5 MHz Offset | | -151 | | | |
| | | $f_{Fout} = 965.5$ | 10 kHz Offset | | -95 | | | |
| | | | 100 kHz Offset | | -121 | | | |
| | | | 1 MHz Offset | | -143 | | | |
| | | | 5 MHz Offset | | -155 | | | |

| Symbol | Parameter | Conditions | Min | Typ | Max | Units |
|---------------|---------------------------------|-------------------------|----------------|------|-----|--------|
| $L(f)_{Fout}$ | Phase Noise (LMX2531LQ2080E) | $f_{Fout} = 2089$ MHz | 10 kHz Offset | -87 | | dBc/Hz |
| | | | 100 kHz Offset | -113 | | |
| | | | 1 MHz Offset | -136 | | |
| | | | 5 MHz Offset | -150 | | |
| | | $f_{Fout} = 1044.5$ MHz | 10 kHz Offset | -93 | | |
| | | | 100 kHz Offset | -119 | | |
| | | | 1 MHz Offset | -142 | | |
| | | | 5 MHz Offset | -154 | | |
| $L(f)_{Fout}$ | Phase Noise (LMX2531LQ2265E) | $f_{Fout} = 2264$ MHz | 10 kHz Offset | -88 | | dBc/Hz |
| | | | 100 kHz Offset | -113 | | |
| | | | 1 MHz Offset | -136 | | |
| | | | 5 MHz Offset | -150 | | |
| | | $f_{Fout} = 1132$ MHz | 10 kHz Offset | -94 | | |
| | | | 100 kHz Offset | -118 | | |
| | | | 1 MHz Offset | -141 | | |
| | | | 5 MHz Offset | -154 | | |
| $L(f)_{Fout}$ | Phase Noise (LMX2531LQ2570E) | $f_{Fout} = 2563$ MHz | 10 kHz Offset | -86 | | dBc/Hz |
| | | | 100 kHz Offset | -112 | | |
| | | | 1 MHz Offset | -135 | | |
| | | | 5 MHz Offset | -149 | | |
| | | $f_{Fout} = 1281.5$ MHz | 10 kHz Offset | -91 | | |
| | | | 100 kHz Offset | -117 | | |
| | | | 1 MHz Offset | -139 | | |
| | | | 5 MHz Offset | -152 | | |

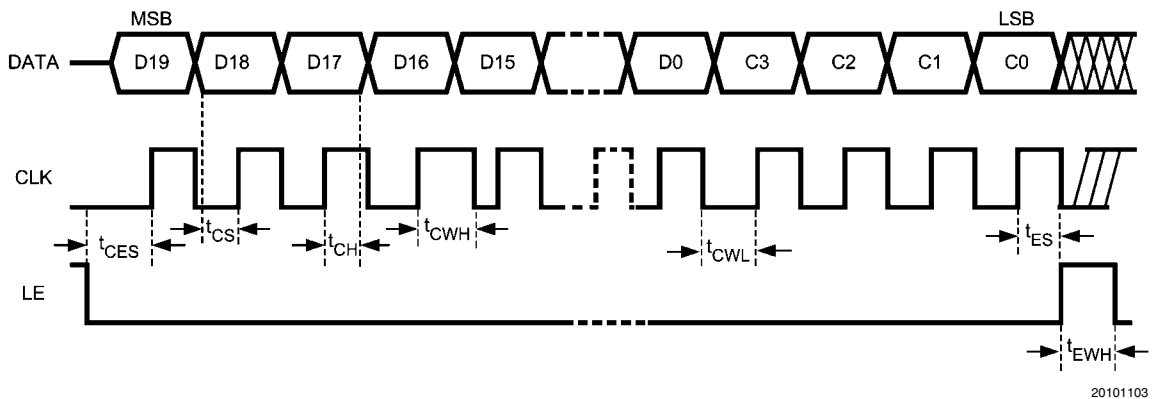
| Symbol | Parameter | Conditions | Min | Typ | Max | Units |
|---|-----------------------------|-----------------------|------|------|------|---------|
| Digital Interface (DATA, CLK, LE, CE, Ftest/LD, FLOut) | | | | | | |
| V_{IH} | High-Level Input Voltage | | 1.6 | | 2.75 | V |
| V_{IL} | Low-Level Input Voltage | | | | 0.4 | V |
| I_{IH} | High-Level Input Current | $V_{IH} = 1.75$ | -3.0 | | 3.0 | μA |
| I_{IL} | Low-Level Input Current | $V_{IL} = 0 V$ | -3.0 | | 3.0 | μA |
| V_{OH} | High-Level Output Voltage | $I_{OH} = 500 \mu A$ | 2.0 | 2.65 | | V |
| V_{OL} | Low-Level Output Voltage | $I_{OL} = -500 \mu A$ | | 0.0 | 0.4 | V |
| MICROWIRE Timing | | | | | | |
| t_{CS} | Data to Clock Set Up Time | See Data Input Timing | 25 | | | ns |
| t_{CH} | Data to Clock Hold Time | See Data Input Timing | 20 | | | ns |
| t_{CWH} | Clock Pulse Width High | See Data Input Timing | 25 | | | ns |
| t_{CWL} | Clock Pulse Width Low | See Data Input Timing | 25 | | | ns |
| t_{ES} | Clock to Enable Set Up Time | See Data Input Timing | 25 | | | ns |
| t_{CES} | Enable to Clock Set Up Time | See Data Input Timing | 25 | | | ns |
| t_{EWH} | Enable Pulse Width High | See Data Input Timing | 25 | | | ns |

Note 2: Normalized Phase Noise Contribution is defined as: $LN(f) = L(f) - 20\log(N) - 10\log(F_{comp})$ where $L(f)$ is defined as the single side band phase noise measured at an offset frequency, f , in a 1 Hz Bandwidth and F_{comp} is the comparison frequency of the synthesizer. The offset frequency, f , must be chosen sufficiently smaller than the loop bandwidth of the PLL, and large enough to avoid a substantial noise contribution from the reference.

Note 3: Maximum Allowable Temperature Drift for Continuous Lock is how far the temperature can drift in either direction from the value it was at the time that the R0 register was last programmed, and still have the part stay in lock. The action of programming the R0 register, even to the same value, activates a frequency calibration routine. This implies that the part will work over the entire frequency range, but if the temperature drifts more than the maximum allowable drift for continuous lock, then it will be necessary to reload the R0 register to ensure that it stays in lock. Regardless of what temperature the part was initially programmed at, the temperature can never drift outside the frequency range of $-40^{\circ}C \leq T_A \leq 85^{\circ}C$ without violating specifications.

Note 4: The VCO phase noise is measured assuming that the loop bandwidth is sufficiently narrow that the VCO noise dominates. The maximum limits apply only at center frequency and over temperature, assuming that the part is reloaded at each test frequency. Over frequency, the phase noise can vary 1-2 dB, with the worst case performance typically occurring at the highest frequency. Over temperature, the phase noise typically varies 1-2 dB, assuming the part is reloaded.

Serial Data Timing Diagram



Note that the DATA is clocked into a shift register on each rising edge of the CLK signal. On the rising edge of the LE signal, the data is sent from the shift registers to an acutal counter. After the programming is complete, the CLK, DATA, and LE signals should be returned to a low state. Although not recommended, LE can be kept high if bit R5[23] is changed to 0 (from its default value of 1). If this bit is changed, then the operation of the part is not guaranteed because it is not tested under these conditions. National Semiconductor strongly recommends keeping LE low after programming.

1.0 Functional Description

The LMX2531 is a low power, high performance frequency synthesizer system which includes the PLL, VCO, and partially integrated loop filter. Section 2.0 on programming describes the bits mentioned in this section in more detail.

1.1 REFERENCE OSCILLATOR INPUT

Because the VCO frequency calibration algorithm is based on clocks from the OSCin pin, there are certain bits that need to be set depending on the OSCin frequency. XTLSSEL (R6[22:20]) and XTLDIV (R7[9:8]) are both need to be set based on the OSCin frequency. For the LMX2531LQ2080E and the LMX2531LQ2570E, the XTLMAN (R7[21:10]) and XTLMAN2 (R8[4]) words need to be set to the correct value, for all other options, this is not necessary.

1.2 R DIVIDER

The R divider divides the OSCin frequency down to the phase detector frequency. The only valid R counter values are 1, 2, 4, 8, 16, and 32. The R divider also has an impact on the fractional modulus that can be used, if it is greater than 8.

1.3 N DIVIDER AND FRACTIONAL CIRCUITRY

The N divider on the LMX2531 is fractional and can achieve any fractional denominator between 1 and 4,194,303. The integer portion of the N counter value, $N_{Integer}$, is determined by the value of the N word. Because there is a 16/17/20/21 prescaler, there are restrictions on how small the $N_{Integer}$ value can be. This is because this value is actually formed by several different prescalers in the quadruple modulus prescaler in order to achieve the desired value. The fractional value, $N_{Fractional}$, is a fraction formed with the NUM and DEN words. The fractional denominator value, DEN, can be set from 2 to 4,194,303. The case of DEN=0 makes no sense, since this would cause an infinite N value, and the case of 1 makes no sense (but could be done), because integer mode should be used in these applications. All other values in this range, like 10, 32,734, or 4,000,000 are all valid. Once the fractional denominator, DEN, is determined, the fractional numerator, NUM, is intended to be varied from 0 to DEN-1. Sometimes, expressing the same fraction, like 1/10, in terms of larger fractions, like 100/10000, sometimes yields better fractional spurs, but other times it does not. This can be impacted by the fractional modulator order and the dithering mode selected, as well as the loop bandwidth, and other application specific criteria. So in general, the total N counter value is determined by:

$$N = N_{Integer} + N_{Fractional}$$

In order to calculate the minimum necessary fractional denominator, the R counter value needs to be chosen, so that the comparison frequency is known. The minimum necessary fractional denominator can be calculated by dividing the comparison frequency by the greatest common multiple of the comparison frequency and the OSCin frequency. For example, consider the case of a 10 MHz crystal and a 200 kHz channel spacing. If the R counter value is chosen to be 2, then the comparison frequency will be 5 MHz. The greatest common multiple of 200 kHz and 5 MHz is 200 kHz. If one takes 5 MHz divided by 200 kHz, this is 25. So a fractional denominator of 25, or any multiple of 25 would work in this situation. Now consider a second example where the channel spacing is changed to 30 kHz. If it is again assumed that the comparison frequency is 5 MHz, then the greatest common multiple of 30 kHz and 5 MHz is 10 kHz. 5 MHz divided by 10 kHz is 500. In this situation, a fractional denominator of 500, or any

multiple of 500 would suffice. For a final example, consider an application with a fixed output frequency of 2110.8 MHz and a crystal frequency of 19.68 MHz. If the R counter is chosen to be 2, then the comparison frequency is 9.84 MHz. The greatest common multiple of 9.84 MHz and 2110.8 MHz is 240 kHz. $9.84 \text{ MHz} / 240 \text{ kHz} = 41$. So the fractional denominator could be 41, or any multiple of 41. For this last example value, the entire N counter value would be $214 + 21/41$.

The fractional value is achieved with a delta sigma architecture. In this architecture, an integer N counter is modulated between different values in order to achieve a fractional value. On this part, the modulator order can be zero (integer mode), two, three, or four. The higher the fractional modulator order is, the lower the spurs theoretically are. However, this is not always the case, and the higher order fractional modulator can sometimes give rise to additional spurious tones, but this is dependent on the application. This is why it is an advantage to have the modulator order selectable. Dithering also has an impact on the fractional spurs, but a lesser one.

1.4 PHASE DETECTOR

The phase detector compares the outputs of the R and N counters and puts out a correction current corresponding to the phase error. The choice of the phase detector frequency does have an impact on performance. When determining which phase detector frequency to use, the restrictions on the R counter values must be taken into consideration.

1.5 PARTIALLY INTEGRATED LOOP FILTER

The LMX2531 integrates the third pole (formed by R3 and C3) and fourth pole (formed by R4 and C4) of the loop filter. This loop filter can be enabled or bypassed using the EN_LPFILTER (R6[15]). The values for C3, C4, R3, and R4 can also be programmed independently through the MICROWIRE interface. Also, the values for R3 and R4 can be changed during FastLock, for minimum lock time. It is recommended that the integrated loop filter be set to the maximum possible attenuation (R3=R4=40kΩ, C3=C4=100pF), the internal loop filter is more effective at reducing certain spurs than the external loop filter. However, if the attenuation of the internal loop filter is too high, it limits the maximum attainable loop bandwidth that can be achieved, which corresponds to the case where the shunt loop filter capacitor, C1, is zero. Increasing the charge pump current and/or the comparison frequency increases the maximum attainable loop bandwidth when designing with the integrated filter. Furthermore, this often allows the loop filter to be better optimized and have stronger attenuation. If the charge pump current and comparison frequency are already as high as they go, and the maximum attainable loop bandwidth is still too low, the resistor and capacitor values can be decreased or the internal loop filter can even be bypassed. Note that when the internal loop filter is bypassed, there is still a small amount of input capacitance on front of the VCO on the order of 200 pF. For design tools and more information on partially integrated loop filters, go to wireless.national.com.

1.6 LOW NOISE, FULLY INTEGRATED VCO

The LMX2531 includes a fully integrated VCO, including the inductors. In order for optimum phase noise performance, this VCO has frequency and phase noise calibration algorithms. The frequency calibration algorithm is necessary because the VCO internally divides up the frequency range into several bands, in order to achieve a lower tuning gain, and therefore better phase noise performance. The frequency calibration routine is activated any time that the R0 register is programmed. If the temperature shifts considerably and the R0

register is not programmed, then it can not drift more than the maximum allowable drift for continuous lock, ΔT_{CL} , or else the VCO is not guaranteed to stay in lock. The phase noise calibration algorithm is necessary in order to achieve the lowest possible phase noise. Each version of the LMX2531, the VCO_ACI_SEL bit (R6[19:16]) needs to be set to the correct value to ensure the best possible phase noise.

The gain of the VCO can change considerably over frequency. It is lowest at the minimum frequency and highest at the maximum frequency. This range is specified in the datasheet. When designing the loop filter, the following method is recommended. First, take the geometric mean of the minimum and maximum frequencies that are to be used. Then use a linear approximation to extrapolate the VCO gain. An example is in order. Suppose the application requires the LMX2531LQ2080E PLL to tune from 2100 to 2150 MHz. The geometric mean of these frequencies is $\sqrt{2100 \times 2150}$ MHz = 2125 MHz. The VCO gain is specified as 9 MHz/V at 1904 MHz and 20 MHz/V at 2274 MHz. Over this range of 370 MHz, the VCO gain changes 11 MHz/V. So at 2125 MHz, the VCO gain would be approximately $9 + (2125-1904) \times 11/370 = 15.6$ MHz/V. Although the VCO gain can change from part to part, this variation is small to how much the VCO gain can change over frequency.

1.7 PROGRAMMABLE DIVIDE BY 2

All options of the LMX2531 offer a divide by 2 option. This allows the user to get exactly half of the VCO frequency, by dividing the output of the VCO output by two. Because this divide by two is outside feedback path between the VCO and the PLL, the loop filter and counter values are set up for the

VCO frequency before it is divide by two. Note that R0 register should be reprogrammed the first time after the DIV2 bit is enabled or disabled for optimal phase noise performance.

1.8 CHOOSING THE CHARGE PUMP CURRENT AND COMPARISON FREQUENCY

The LMX2531 has 16 levels of charge pump currents and a highly flexible fractional modulus. This gives the user many degrees of freedom. This section discusses some of the design considerations. From the perspective of the PLL noise, choosing the charge pump current and comparison frequency as high as possible are best for optimal phase noise performance. The far out PLL noise improves 3 dB for every doubling of the comparison frequency, but at lower offsets, this effect is much less due to the PLL 1/f noise. Increasing the charge pump current improves the phase noise about 3 dB per doubling of the charge pump current, although there are small diminishing returns as the charge pump current goes higher.

From a loop filter design and PLL phase noise perspective, one might think to always design with the highest possible comparison frequency and charge pump current. However, if one considers the worst case fractional spurs that occur at an output frequency equal to 1 channel spacing away from a multiple of the OSCin frequency, then this gives reason to reconsider. If the comparison frequency or charge pump currents are too high, then these spurs could be degraded, and the loop filter may not be able to filter these spurs as well as theoretically predicted. For optimal spur performance, a comparison frequency in the ballpark of 2.5 MHz and a charge pump current of 1X are recommended.

2.0 General Programming Information

The LMX2531 is programmed using 11 24-bit registers used to control the LMX2531 operation. A 24-bit shift register is used as a temporary register to indirectly program the on-chip registers. The shift register consists of a data field and an address field. The last 4 register bits, CTRL[3:0] form the address field, which is used to decode the internal register address. The remaining 20 bits form the data field DATA[19:0]. While LE is low, serial data is clocked into the shift register upon the rising edge of clock (data is programmed MSB first). When LE goes high, data is transferred from the data field into the selected register bank. Although there are actually 14 registers in this part, only a portion of them should be programmed, since the state of the other hidden registers (R13, R11, and R10) are set during the initialization sequence. Although it is possible to program these hidden registers, as well as a lot of bits that are defined to either '1' or '0', the user should not experiment with these hidden registers and bits, since the parts are not tested under these conditions and doing so will most likely degrade performance.

| DATA[19:0] | | | | | | | | | | | | | | | | | | | | CONTROL[3:0] | | | | |
|------------|-----|-----|-----|-----|-----|-----|-----|-----|-----|----|----|----|----|----|----|----|----|----|----|--------------|----|----|----|-----|
| MSB | | | | | | | | | | | | | | | | | | | | | | | | LSB |
| D19 | D18 | D17 | D16 | D15 | D14 | D13 | D12 | D11 | D10 | D9 | D8 | D7 | D6 | D5 | D4 | D3 | D2 | D1 | D0 | C3 | C2 | C1 | C0 | |

2.01 Register Location Truth Table

| C3 | C2 | C1 | C0 | Data Address |
|----|----|----|----|--------------|
| 1 | 1 | 0 | 0 | R12 |
| 1 | 0 | 0 | 1 | R9 |
| 1 | 0 | 0 | 0 | R8 |
| 0 | 1 | 1 | 1 | R7 |
| 0 | 1 | 1 | 0 | R6 |
| 0 | 1 | 0 | 1 | R5 |
| 0 | 1 | 0 | 0 | R4 |
| 0 | 0 | 1 | 1 | R3 |
| 0 | 0 | 1 | 0 | R2 |
| 0 | 0 | 0 | 1 | R1 |
| 0 | 0 | 0 | 0 | R0 |

2.02 Initialization Sequence

The initial loading sequence from a cold start is described below. The registers must be programmed in order shown. There must be a minimum of 10 ms between the time when R5 is last loaded and R1 is loaded to ensure time for the LDOs to power up properly.

| REG. | 23 | 22 | 21 | 20 | 19 | 18 | 17 | 16 | 15 | 14 | 13 | 12 | 11 | 10 | 9 | 8 | 7 | 6 | 5 | 4 | 3 | 2 | 1 | 0 |
|----------|--|----|----|----|----|----|----|----|----|----|----|----|----|----|---|---|---|---|---|---|----|----|----|----|
| | DATA[19:0] | | | | | | | | | | | | | | | | | | | | C3 | C2 | C1 | C0 |
| R5 INIT1 | 1 | 0 | 0 | 0 | 0 | 1 | 0 | 0 | 0 | 0 | 0 | 0 | 0 | 0 | 0 | 0 | 0 | 0 | 0 | 0 | 0 | 1 | 0 | 1 |
| R5 INIT2 | 1 | 0 | 0 | 0 | 0 | 0 | 0 | 0 | 0 | 0 | 0 | 0 | 0 | 0 | 0 | 0 | 0 | 0 | 0 | 0 | 0 | 1 | 0 | 1 |
| R5 | 1 | 0 | 0 | 0 | 0 | 0 | 0 | 0 | 0 | 0 | 0 | 0 | 1 | 1 | 1 | 1 | 1 | 1 | 1 | 1 | 0 | 1 | 0 | 1 |
| R12 | Program R12 as shown in the complete register map. | | | | | | | | | | | | | | | | | | | | 1 | 1 | 0 | 0 |
| R9 | Program R9 as shown in the complete register map. | | | | | | | | | | | | | | | | | | | | 1 | 0 | 0 | 1 |
| R8 | See individual section for Register R8 programming information. Program Register R8 only for the 2080E and 2570E versions when $f_{\text{OSCin}} > 40$ MHz. | | | | | | | | | | | | | | | | | | | | 1 | 0 | 0 | 0 |
| R7 | See individual section for Register R7 programming information. | | | | | | | | | | | | | | | | | | | | 0 | 1 | 1 | 1 |
| R6 | See individual section for Register R6 programming information. | | | | | | | | | | | | | | | | | | | | 0 | 1 | 1 | 0 |
| R4 | See individual section for Register R4 programming information. Register R4 only needs to be programmed if FastLock is used. | | | | | | | | | | | | | | | | | | | | 0 | 1 | 0 | 0 |
| R3 | See individual section for Register R3 programming information. | | | | | | | | | | | | | | | | | | | | 0 | 0 | 1 | 1 |
| R2 | See individual section for Register R2 programming information. | | | | | | | | | | | | | | | | | | | | 0 | 0 | 1 | 0 |
| R1 | See individual section for Register R1 programming information. | | | | | | | | | | | | | | | | | | | | 0 | 0 | 0 | 1 |
| R0 | See individual section for Register R0 programming information. | | | | | | | | | | | | | | | | | | | | 0 | 0 | 0 | 0 |

2.03 Complete Register Content Map

This table shows all the programmable bits for the LMX2531. No programming order or initialization sequence is implied by this table, only the location of the programming information.

| RE | 23 | 22 | 21 | 20 | 19 | 18 | 17 | 16 | 15 | 14 | 13 | 12 | 11 | 10 | 9 | 8 | 7 | 6 | 5 | 4 | 3 | 2 | 1 | 0 | | | | | |
|-----|------------|--------------|-----------------|-------------------|------------|------------|-------------|-------------|--------------|-----------------|--------------|-----------|-----------|----------|--------|--------|--------|----------------|---|---|---|---|---|----|----|----|---|---|---|
| GIS | DATA[19:0] | | | | | | | | | | | | | | | | | | | | | | | C0 | | | | | |
| TER | | | | | | | | | | | | | | | | | | | | | | | | C1 | C2 | C3 | | | |
| R0 | N [7:0] | | | | | | | NUM [11:0] | | | | | | | 0 | 0 | 0 | 0 | 0 | 0 | 0 | 0 | 0 | 0 | 0 | 0 | | | |
| R1 | 0 | 0 | ICP [3:0] | | N [10:8] | | NUM [21:12] | | | | | | | 0 | 0 | 0 | 0 | 0 | 0 | 0 | 0 | 0 | 0 | 0 | 0 | 0 | 0 | 1 | |
| R2 | 0 | 1 | DEN [11:0] | | | | | | | R [5:0] | | | | | | | 0 | 0 | 0 | 0 | 0 | 0 | 0 | 0 | 0 | 0 | 0 | 0 | 0 |
| R3 | DIV 2 | FD M | DITHER [1:0] | ORDER [1:0] | FoLD [3:0] | | | DEN [21:12] | | | | | | | 0 | 0 | 0 | 0 | 0 | 0 | 0 | 0 | 0 | 0 | 0 | 0 | 0 | 1 | |
| R4 | 0 | 0 | ICPFL [3:0] | | | TOC [13:0] | | | | | | | 0 | 0 | 0 | 0 | 0 | 0 | 0 | 0 | 0 | 0 | 0 | 0 | 0 | 0 | 0 | 0 | |
| R5 | 1 | 0 | 0 | 0 | 0 | 0 | 0 | 0 | 0 | 0 | 0 | 0 | 0 | 0 | 0 | 0 | 0 | 0 | 0 | 0 | 0 | 0 | 0 | 0 | 0 | 1 | | | |
| R6 | 0 | XTLSEL [2:0] | | VCO_ACI_SEL [3:0] | | | EN_LP_TP | | R4_ADJ [1:0] | R4_ADJ_FL [1:0] | R3_ADJ [1:0] | EN_PLDDO2 | EN_PLDDO1 | EN_VCOLD | EN_OSC | EN_VCO | EN_PLL | C3_4_ADJ [2:0] | | 0 | 0 | 1 | 0 | 0 | 0 | | | | |
| R7 | 0 | 0 | XTLMAN [11:0] | | | | | | | XTLDIV [1:0] | | | | | | | 0 | 0 | 0 | 0 | 0 | 0 | 0 | 0 | 0 | 0 | 0 | 1 | |
| R8 | 0 | 0 | 0 | 0 | 0 | 1 | 0 | 0 | 0 | 0 | 0 | 0 | 0 | 0 | 0 | 0 | 0 | 0 | 0 | 0 | 1 | 0 | 0 | 0 | 0 | | | | |
| R9 | 0 | 0 | 0 | 0 | 0 | 0 | 0 | 0 | 0 | 0 | 0 | 0 | 0 | 0 | 0 | 0 | 0 | 0 | 0 | 0 | 1 | 0 | 0 | 0 | 1 | | | | |
| R12 | 0 | 0 | 0 | 0 | 0 | 0 | 0 | 0 | 0 | 0 | 0 | 0 | 0 | 0 | 0 | 0 | 0 | 0 | 0 | 0 | 1 | 0 | 0 | 0 | 0 | | | | |

2.1 REGISTER R0

The action of programming the R0 register activates a frequency calibration routine for the VCO. This calibration is necessary to get the VCO to center the tuning voltage for optimal performance. If the temperature drifts considerably, then the PLL should stay in lock, provided that the temperature drift specification is not violated.

2.1.1 NUM[10:0] and NUM[21:12] -- Fractional Numerator

The NUM word is split between the R0 register and R1 register. The Numerator bits determine the fractional numerator for the delta sigma PLL. This value can go from 0 to 4095 when the FDM bit (R3[22]) is 0 (the other bits in this register are ignored), or 0 to 4194303 when the FDM bit is 1.

| Fractional Numerator | NUM[21:12] | | | | | | | | | | NUM[11:0] | | | | | | | | | |
|----------------------|------------|---|---|---|---|---|---|---|---|---|-----------|---|---|---|---|---|---|---|---|---|
| | | | | | | | | | | | | | | | | | | | | |
| 0 | 0 | 0 | 0 | 0 | 0 | 0 | 0 | 0 | 0 | 0 | 0 | 0 | 0 | 0 | 0 | 0 | 0 | 0 | 0 | 0 |
| ... | | | | | | | | | | | | | | | | | | | | |
| 409503 | 1 | 1 | 1 | 1 | 1 | 1 | 1 | 1 | 1 | 1 | 1 | 1 | 1 | 1 | 1 | 1 | 1 | 1 | 1 | 1 |
| 4096 | 0 | 0 | 0 | 0 | 0 | 0 | 0 | 0 | 0 | 0 | 1 | 0 | 0 | 0 | 0 | 0 | 0 | 0 | 0 | 0 |
| ... | | | | | | | | | | | | | | | | | | | | |
| 4194303 | 1 | 1 | 1 | 1 | 1 | 1 | 1 | 1 | 1 | 1 | 1 | 1 | 1 | 1 | 1 | 1 | 1 | 1 | 1 | 1 |

Note that there are restrictions on the fractional numerator value depending on the R counter value if it is 16 or 32.

2.1.2 N[7:0] and N[10:8]

The N counter is 11 bits. 8 of these bits are located in the R0 register, and the remaining 3 (MSB bits) are located in the R1 register. The LMX2531 consists of an A, B, and C counter, which work in conjunction with the 16/17/20/21 prescaler in order to form the final N counter value.

| N Value | N[10:8] | | | | N[7:0] | | | | | | | |
|---------|-------------------------------------|---|---|---|--------|---|---|---|---|---|---|---|
| | C | | | | B | | | A | | | | |
| <55 | Values less than 55 are prohibited. | | | | | | | | | | | |
| 55 | 0 | 0 | 0 | 0 | 0 | 0 | 1 | 1 | 0 | 1 | 1 | 1 |
| ... | | | | | | | | | | | | |
| 2039 | 1 | 1 | 1 | 1 | 1 | 1 | 1 | 1 | 0 | 1 | 1 | 1 |

2.2 REGISTER R1

2.2.1 NUM[21:12]

These are the MSB bits in for the fractional numerator that already have been described.

2.2.2 N[10:8] -- 3 MSB Bits for the N Counter

These are the 2 MSB bits for the N counter, which were discussed in the R0 register section.

2.2.3 ICP[3:0] -- Charge Pump Current

This bit programs the charge pump current when the charge pump gain. The current is programmable between 100uA and 1.6mA in 100uA steps. In general, higher charge pump currents yield better phase noise for the PLL, but also can cause higher spurs.

| ICP | Charge Pump State | Typical Charge Pump Current at 3 Volts (µA) |
|-----|-------------------|---|
| 0 | 1X | 90 |
| 1 | 2X | 180 |
| 2 | 3X | 270 |
| 3 | 4X | 360 |
| 4 | 5X | 450 |
| 5 | 6X | 540 |
| 6 | 7X | 630 |
| 7 | 8X | 720 |
| 8 | 9X | 810 |
| 9 | 10X | 900 |
| 10 | 11X | 990 |
| 11 | 12X | 1080 |
| 12 | 13X | 1170 |
| 13 | 14X | 1260 |
| 14 | 15X | 1350 |
| 15 | 16X | 1440 |

2.3 REGISTER R2

2.3.1 R[5:0] -- R Counter Value

These bits determine the phase detector frequency. The OSCin frequency is divided by this R counter value. Note that only the values of 1, 2, 4, 8, 16, and 32 are allowed.

| R Value | Fractional Denominator Restrictions | R[5:0] | | | | | |
|----------------------------|-------------------------------------|---------------------------|---|---|---|---|---|
| 0,3,5-7, 9-15,17-31, 33-63 | n/a | These values are illegal. | | | | | |
| 1 | none | 0 | 0 | 0 | 0 | 0 | 1 |
| 2 | none | 0 | 0 | 0 | 0 | 1 | 0 |
| 4 | none | 0 | 0 | 0 | 1 | 0 | 0 |
| 8 | none | 0 | 0 | 1 | 0 | 0 | 0 |
| 16 | Must be divisible by 2 | 0 | 1 | 0 | 0 | 0 | 0 |
| 32 | Must be divisible by 4 | 1 | 0 | 0 | 0 | 0 | 0 |

Note that the R counter value can put some restrictions on the fractional denominator. In the case that it is 16, the fractional denominator must be divisible by 2, which is equivalent to saying that the LSB of the fractional denominator word is zero. In the case that the R counter is 32, the two LSB bits of the fractional denominator word must also be zero, which is equivalent to saying that the fractional denominator must be divisible by 4. Because the fractional denominator can be very large, this should cause no issues. For instance, if one wanted to achieve a fractional word of 1/65, and the R counter value was 16, the fractional word could be changed to 4/260, and the same resolution could be achieved.

2.3.2 DEN[21:12] and DEN[11:0]-- Fractional Denominator

These bits determine the fractional denominator. Note that the MSB bits for this word are in register R3. If the FDM bit is set to 0, DEN[21:12] are ignored. The fractional denominator should only be set to zero if the fractional circuitry is being disabled by setting ORDER=1. A value of one never makes sense to use. All other values could reasonably be used in fractional mode.

| Fractional Denominator | DEN[21:12] | | | | | | | | | | DEN[11:0] | | | | | | | | | |
|------------------------|------------|---|---|---|---|---|---|---|---|---|-----------|---|---|---|---|---|---|---|---|---|
| | | | | | | | | | | | | | | | | | | | | |
| 0 | 0 | 0 | 0 | 0 | 0 | 0 | 0 | 0 | 0 | 0 | 0 | 0 | 0 | 0 | 0 | 0 | 0 | 0 | 0 | 0 |
| ... | | | | | | | | | | | | | | | | | | | | |
| 4095 | 1 | 1 | 1 | 1 | 1 | 1 | 1 | 1 | 1 | 1 | 1 | 1 | 1 | 1 | 1 | 1 | 1 | 1 | 1 | 1 |
| 4096 | 0 | 0 | 0 | 0 | 0 | 0 | 0 | 0 | 0 | 1 | 0 | 0 | 0 | 0 | 0 | 0 | 0 | 0 | 0 | 0 |
| ... | | | | | | | | | | | | | | | | | | | | |
| 4194303 | 1 | 1 | 1 | 1 | 1 | 1 | 1 | 1 | 1 | 1 | 1 | 1 | 1 | 1 | 1 | 1 | 1 | 1 | 1 | 1 |

2.4 REGISTER R3

2.4.1 DEN[21:12] -- Extension for the Fractional Denominator

These are the MSB bits of the DEN word, which have already been discussed.

2.4.2 FoLD[3:0] -- Multiplexed Output for Ftest/LD Pin

The FoLD[3:0] word is used to program the output of the Ftest/LD Pin. This pin can be used for a general purpose I/O pin, a lock detect pin, and for diagnostic purposes. When programmed to the digital lock detect state, the output of the Ftest/LD pin will be high when the part is in lock, and low otherwise. Lock is determined by comparing the input phases to the phase detector. The analog lock detect modes put out a high signal with very fast negative pulses, that correspond to when the charge pump comes on. This output can be low pass filtered with an RC filter in order to determine the lock detect state. If the open drain state is used, a pull-up resistor that is much larger than the resistance in the RC filter, to increase the sensitivity of the circuit. For diagnostic purposes, the options that allow one to view the output of the R counter or the N counter can be very useful. Be aware that the output voltage level of the Ftest/LD is not equal to the supply voltage of the part, but rather is given by V_{OH} and V_{OL} in the electrical characteristics specification.

| FoLD | Output Type | Function |
|------|----------------|-------------------------------|
| 0 | High Impedance | Disabled |
| 1 | Push-Pull | Logical High State |
| 2 | Push-Pull | Logical Low State |
| 3 | Push-Pull | Digital Lock Detect |
| 4 | N/A | Reserved |
| 5 | Push-Pull | N Counter Output Divided by 2 |
| 6 | Open-Drain | Analog Lock Detect |
| 7 | Push-Pull | Analog Lock Detect |
| 8 | N/A | Reserved |
| 9 | N/A | Reserved |
| 10 | N/A | Reserved |
| 11 | N/A | Reserved |
| 12 | N/A | Reserved |
| 13 | N/A | Reserved |
| 14 | Push-Pull | R Counter Output |
| 15 | N/A | Reserved |

2.4.3 ORDER -- Order of Delta Sigma Modulator

This bit determines the order of the delta sigma modulator in the PLL. In general, higher order fractional modulators tend to reduce the primary fractional spurs that occur at increments of the channel spacing, but can also create spurs that are at a fraction of the channel spacing, if there is not sufficient filtering. The optimal choice of modulator order is very application specific, however, a third order modulator is a good starting point if not sure what to try first.

| ORDER | Delta Sigma Modulator Order |
|-------|---|
| 0 | Fourth |
| 1 | Reset Modulator (Integer Mode - all fractions are ignored) |
| 2 | Second |
| 3 | Third |

2.4.4 DITHER -- Dithering

Dithering is useful in reducing fractional spurs, especially those that occur a fraction of the channel spacing. The only exception is when the fractional numerator is zero. In this case, dithering usually is not a benefit. Dithering also can sometimes increase the PLL phase noise by a fraction of a dB. In general, if dithering is disabled, phase noise may be slightly better inside the loop bandwidth of the system, but spurs are likely to be worse too.

| DITHER | Dithering Mode |
|--------|--------------------|
| 0 | Weak Dithering |
| 1 | Reserved |
| 2 | Strong Dithering |
| 3 | Dithering Disabled |

2.4.5 FDM -- Fractional Denominator Mode

When this bit is set to 1, the 10 MSB bits for the fractional numerator and denominator are considered. This allows the fractional denominator to range from 1 to 4,194,303. If this bit is set to zero, only the 12 LSB bits of the fractional numerator and denominator are considered, and this allows a fractional denominator from 1 to 4095. When this bit is disabled, the current consumption is about 0.5 mA lower.

2.4.6 -- DIV2

When this bit is enabled on the appropriate option, the output of the VCO is divided by 2 on options that offer this feature. This has a small impact on harmonic content and output power.

| DIV2 | VCO Output Frequency |
|------|----------------------|
| 0 | Not Divided by 2 |
| 1 | Divided by 2 |

2.5 REGISTER R4

2.5.1 TOC[13:0] -- Time Out Counter for FastLock

When the value of this word is 3 or less, then FastLock is disabled, and this pin can only be used for general purpose I/O. When this value is 4 or greater, the time out counter is engaged for the amount of phase detector cycles shown in the table below.

| TOC Value | FLout Pin State | Timeout Count |
|-----------|-----------------|--------------------------|
| 0 | High Impedance | 0 |
| 1 | Low | Always Enabled |
| 2 | Low | 0 |
| 3 | High | 0 |
| 4 | Low | 4 X 2 Phase Detector |
| . | . | . |
| 16383 | Low | 16383 X 2 Phase Detector |

When this count is active, the FLout Pin is grounded, the FastLock current is engaged, and the resistors R3 and R4 are also potentially changed. The table below summarizes the bits that control various values in and out of FastLock differences.

| FastLock State | FLout | Charge Pump Current | R3 | R4 |
|----------------|----------------|---------------------|-----------|-----------|
| Steady State | High Impedance | ICP | R3_ADJ | R4_ADJ |
| Fastlock | Grounded | ICPFL | R3_ADJ_FL | R4_ADJ_FL |

2.5.2 ICPFL[3:0] -- Charge Pump Current for Fastlock

When FastLock is enabled, this is the charge pump current that is used for faster lock time.

| ICPFL | Fastlock Charge Pump State | Typical Fastlock Charge Pump Current at 3 Volts (μ A) |
|-------|----------------------------|--|
| 0 | 1X | 90 |
| 1 | 2X | 180 |
| 2 | 3X | 270 |
| 3 | 4X | 360 |
| 4 | 5X | 450 |
| 5 | 6X | 540 |
| 6 | 7X | 630 |
| 7 | 8X | 720 |
| 8 | 9X | 810 |
| 9 | 10X | 900 |
| 10 | 11X | 990 |
| 11 | 12X | 1080 |
| 12 | 13X | 1170 |
| 13 | 14X | 1260 |
| 14 | 15X | 1350 |
| 15 | 16X | 1440 |

2.6 REGISTER R5

2.6.1 EN_PLL -- Enable Bit for PLL

When this bit is set to 1, the PLL is powered up, otherwise, it is powered down.

2.6.2 EN_VCO -- Enable Bit for the VCO

When this bit is set to 1, the VCO is powered up, otherwise, it is powered down.

2.6.3 EN_OSC -- Enable Bit for the Oscillator Inverter

When this bit is set to 1 (default), the reference oscillator is powered up, otherwise it is powered down.

2.6.4 EN_VCOLDO -- ENABLE BIT FOR THE VCO LDO

When this bit is set to 1 (default), the VCO LDO is powered up, otherwise it is powered down.

2.6.5 EN_PLLLDO1 -- ENABLE BIT FOR THE PLL LDO 1

When this bit is set to 1 (default), the PLL LDO 1 is powered up, otherwise it is powered down.

2.6.6 EN_PLLLDO2 -- ENABLE BIT FOR THE PLL LDO 2

When this bit is set to 1 (default), the PLL LDO 2 is powered up, otherwise it is powered down.

2.6.7 EN_DIGLDO -- ENABLE BIT FOR THE DIGITAL LDO

When this bit is set to 1 (default), the Digital LDO is powered up, otherwise it is powered down.

2.6.8 REG_RST -- RESETS ALL REGISTERS TO DEFAULT SETTINGS

This bit needs to be programmed three times to initialize the part. When this bit is set to one, all registers are set to default mode, and the part is powered down. The second time the R5 register is programmed with REG_RST=0, the register reset is released and the default states are still in the registers. However, since the default states for the blocks and LDOs is powered off, it is therefore necessary to program R5 a third time so that all the LDOs and blocks can be programmed to a power up state. When this bit is set to 1, all registers are set to the default modes, but part is powered down. For normal operation, this bit is set to 0. Note that once this initialization is done, it is not necessary to initialize the part any more.

2.7 REGISTER R6

2.7.1 C3_C4_ADJ[2:0] -- VALUE FOR C3 AND C4 IN THE INTERNAL LOOP FILTER

| C3_C4_ADJ | C3 (pF) | C4 (pF) |
|-----------|---------|---------|
| 0 | 50 | 50 |
| 1 | 50 | 100 |
| 2 | 50 | 150 |
| 3 | 100 | 50 |
| 4 | 150 | 50 |
| 5 | 100 | 100 |
| 6 | 50 | 150 |
| 7 | 50 | 150 |

2.7.2 R3_ADJ_FL[1:0] -- Value for Internal Loop Filter Resistor R3 During Fastlock

| R3_ADJ_FL Value | R3 Resistor During Fastlock (kΩ) |
|-----------------|----------------------------------|
| 0 | 10 |
| 1 | 20 |
| 2 | 30 |
| 3 | 40 |

2.7.3 R3_ADJ[1:0] -- Value for Internal Loop Filter Resistor R3

| R3_ADJ | R3 Value (kΩ) |
|--------|---------------|
| 0 | 10 |
| 1 | 20 |
| 2 | 30 |
| 3 | 40 |

2.7.4 R4_ADJ_FL[1:0] -- Value for Internal Loop Filter Resistor R4 During Fastlock

| R4_ADJ_FL | R4 Value during Fast Lock (kΩ) |
|-----------|--------------------------------|
| 0 | 10 |
| 1 | 20 |
| 2 | 30 |
| 3 | 40 |

2.7.5 R4_ADJ[1:0] -- Value for Internal Loop Filter Resistor R4

| R4_ADJ | R4 Value (kΩ) |
|--------|---------------|
| 0 | 10 |
| 1 | 20 |
| 2 | 30 |
| 3 | 40 |

2.7.6 EN_LPFLTR-- Enable for Partially Integrated Internal Loop Filter

The Enable Loop Filter bit is used to enable/disable the 3rd and 4th pole on-chip loop filters.

| EN_LPFLTR | 3rd and 4th Poles of Loop Filter |
|-----------|--|
| 0 | disabled (R3 = R4 = 0 ohms and C3 + C4 = 200pF) |
| 1 | enabled |

2.7.7 VCO_ACI_SEL

This bit is used to optimize the VCO phase noise. The recommended values are what are used for all testing purposes, and this bit should be set as the table below instructs.

| Part | VCO_ACI_SEL |
|---|-------------|
| LMX2531LQ1570E LMX2531LQ1650E LMX2531LQ1700E LMX2531LQ1742 LMX2531LQ1778E LMX2531LQ1910E LMX2531LQ2080E | 8 |
| LMX2531LQ2265E LMX2531LQ2570E | 6 |

2.7.8 XTLSEL[2:0] -- Crystal Select

| XTLSEL | Crystal Frequency |
|--------|-------------------|
| 0 | <25 MHz |
| 1 | 25 - 50 MHz |
| 2 | 50 - 70 MHz |
| 3 | >70 MHz |
| 4 | Manual Mode |
| 5 | Reserved |
| 6 | Reserved |
| 7 | Reserved |

The value of this word needs to be changed based on the frequency presented to the OSCin pin in accordance to the table above. Manual mode must be used for the LMX2531LQ2080E and the LMX2531LQ2570 only. The other options should use modes 0 - 3.

2.8 REGISTER R7

2.8.1 XTLDIV[1:0] -- Division Ratio for the Crystal Frequency

The frequency provided to the VCO frequency calibration circuitry is based on the OSCin frequency divided down by a factor, determined by the XTLDIV word. Note that this division ratio is independent of the R counter value or the comparison frequency. The necessary division ratio depends on the OSCin frequency and is shown in the table below:

| XTLDIV | Crystal Division Ratio | Crystal Range |
|--------|------------------------|---------------|
| 0 | Reserved | Reserved |
| 1 | Divide by 2 | < 20 MHz |
| 2 | Divide by 4 | 20-40 MHz |
| 3 | Divide by 8 | > 40 MHz |

2.8.2 XTLMAN[11:0] -- Manual Crystal Mode

This word adjusts the calibration timing for lock time. With the exception of the parts listed in the table below, this bit should be set to zero for normal operation. For those parts in the table. For f_{OSCin} frequencies (expressed in MHz) not shown in the table, this bit value can be calculated as $16 \times f_{\text{OSCin}} / \text{Kbit}$.

| Part | Kbit | f_{OSCin} | | | | |
|----------------|------|--------------------|--------|-----------|-----------|----------|
| | | 10 MHz | 20 MHz | 30.72 MHz | 61.44 MHz | 76.8 MHz |
| LMX2531LQ2080E | 4.5 | 36 | 71 | 109 | 218 | 273 |
| LMX2531LQ2570E | 6.0 | 27 | 53 | 82 | 164 | 205 |

2.9 REGISTER R8

2.9.1 XTLMAN2 -- MANUAL CRYSTAL MODE SECOND ADJUSTMENT

This bit also adjusts the calibration timing for lock time. In the case that manual mode for XTLSEL is selected and the OSCin frequency is greater than 40 MHz, this bit should be enabled, otherwise it should be 0.

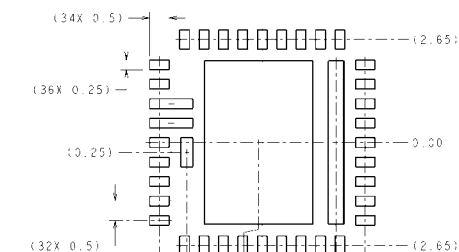
2.10 REGISTER R9

All the bits in this register should be programmed as shown in the programming table.

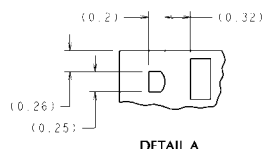
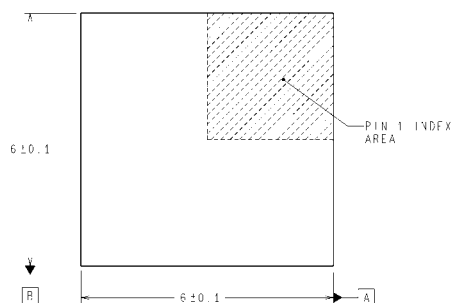
2.11 REGISTER R12

Even though this register does not have user selectable bits, it still needs to be programmed. This register should be loaded as shown in section 2.02 Complete Register Content Map.

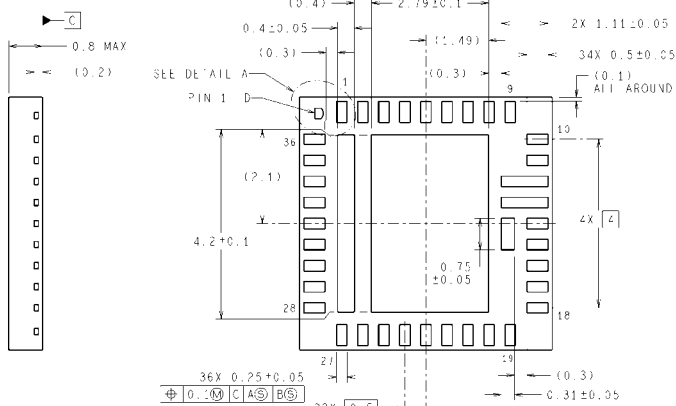
Physical Dimensions inches (millimeters) unless otherwise noted



RECOMMENDED LAND PATTERN
1:1 RATIO WITH PREG SOLDER PADS



DIMENSIONS ARE IN MILLIMETERS
DIMENSIONS IN () FOR REFERENCE ONLY



LQA36A (Rev C)

Leadless Leadframe Package (Bottom View)
Order Number LMX2531LQX for 2500 Unit Reel
Order Number LMX2531LQ for 250 Unit Reel
NS Package Number LQA036AA

| Part | Marking |
|----------------|----------|
| LMX2531LQ1570E | 311570EB |
| LMX2531LQ1650E | 311650EA |
| LMX2531LQ1700E | 311778EB |
| LMX2531LQ1742 | 311742EA |
| LMX2531LQ1778E | 311778EA |

| Part | Marking |
|----------------|----------|
| LMX2531LQ1910E | 311910EB |
| LMX2531LQ2080E | 312080EB |
| LMX2531LQ2265E | 312265ED |
| LMX2531LQ2570E | 312570EC |

Notes

THE CONTENTS OF THIS DOCUMENT ARE PROVIDED IN CONNECTION WITH NATIONAL SEMICONDUCTOR CORPORATION ("NATIONAL") PRODUCTS. NATIONAL MAKES NO REPRESENTATIONS OR WARRANTIES WITH RESPECT TO THE ACCURACY OR COMPLETENESS OF THE CONTENTS OF THIS PUBLICATION AND RESERVES THE RIGHT TO MAKE CHANGES TO SPECIFICATIONS AND PRODUCT DESCRIPTIONS AT ANY TIME WITHOUT NOTICE. NO LICENSE, WHETHER EXPRESS, IMPLIED, ARISING BY ESTOPPEL OR OTHERWISE, TO ANY INTELLECTUAL PROPERTY RIGHTS IS GRANTED BY THIS DOCUMENT.

TESTING AND OTHER QUALITY CONTROLS ARE USED TO THE EXTENT NATIONAL DEEMS NECESSARY TO SUPPORT NATIONAL'S PRODUCT WARRANTY. EXCEPT WHERE MANDATED BY GOVERNMENT REQUIREMENTS, TESTING OF ALL PARAMETERS OF EACH PRODUCT IS NOT NECESSARILY PERFORMED. NATIONAL ASSUMES NO LIABILITY FOR APPLICATIONS ASSISTANCE OR BUYER PRODUCT DESIGN. BUYERS ARE RESPONSIBLE FOR THEIR PRODUCTS AND APPLICATIONS USING NATIONAL COMPONENTS. PRIOR TO USING OR DISTRIBUTING ANY PRODUCTS THAT INCLUDE NATIONAL COMPONENTS, BUYERS SHOULD PROVIDE ADEQUATE DESIGN, TESTING AND OPERATING SAFEGUARDS.

EXCEPT AS PROVIDED IN NATIONAL'S TERMS AND CONDITIONS OF SALE FOR SUCH PRODUCTS, NATIONAL ASSUMES NO LIABILITY WHATSOEVER, AND NATIONAL DISCLAIMS ANY EXPRESS OR IMPLIED WARRANTY RELATING TO THE SALE AND/OR USE OF NATIONAL PRODUCTS INCLUDING LIABILITY OR WARRANTIES RELATING TO FITNESS FOR A PARTICULAR PURPOSE, MERCHANTABILITY, OR INFRINGEMENT OF ANY PATENT, COPYRIGHT OR OTHER INTELLECTUAL PROPERTY RIGHT.

LIFE SUPPORT POLICY

NATIONAL'S PRODUCTS ARE NOT AUTHORIZED FOR USE AS CRITICAL COMPONENTS IN LIFE SUPPORT DEVICES OR SYSTEMS WITHOUT THE EXPRESS PRIOR WRITTEN APPROVAL OF THE CHIEF EXECUTIVE OFFICER AND GENERAL COUNSEL OF NATIONAL SEMICONDUCTOR CORPORATION. As used herein:

Life support devices or systems are devices which (a) are intended for surgical implant into the body, or (b) support or sustain life and whose failure to perform when properly used in accordance with instructions for use provided in the labeling can be reasonably expected to result in a significant injury to the user. A critical component is any component in a life support device or system whose failure to perform can be reasonably expected to cause the failure of the life support device or system or to affect its safety or effectiveness.

National Semiconductor and the National Semiconductor logo are registered trademarks of National Semiconductor Corporation. All other brand or product names may be trademarks or registered trademarks of their respective holders.

Copyright© 2007 National Semiconductor Corporation

For the most current product information visit us at www.national.com



National Semiconductor Americas Customer Support Center
 Email: new.feedback@nsc.com
 Tel: 1-800-272-9959

National Semiconductor Europe Customer Support Center
 Fax: +49 (0) 180-530-85-86
 Email: europe.support@nsc.com
 Deutsch Tel: +49 (0) 69 9508 6208
 English Tel: +49 (0) 870 24 0 2171
 Français Tel: +33 (0) 1 41 91 8790

National Semiconductor Asia Pacific Customer Support Center
 Email: ap.support@nsc.com

National Semiconductor Japan Customer Support Center
 Fax: 81-3-5639-7507
 Email: jpn.feedback@nsc.com
 Tel: 81-3-5639-7560



Стандарт Электрон Связь

Мы молодая и активно развивающаяся компания в области поставок электронных компонентов. Мы поставляем электронные компоненты отечественного и импортного производства напрямую от производителей и с крупнейших складов мира.

Благодаря сотрудничеству с мировыми поставщиками мы осуществляем комплексные и плановые поставки широчайшего спектра электронных компонентов.

Собственная эффективная логистика и склад в обеспечивает надежную поставку продукции в точно указанные сроки по всей России.

Мы осуществляем техническую поддержку нашим клиентам и предпродажную проверку качества продукции. На все поставляемые продукты мы предоставляем гарантию .

Осуществляем поставки продукции под контролем ВП МО РФ на предприятия военно-промышленного комплекса России , а также работаем в рамках 275 ФЗ с открытием отдельных счетов в уполномоченном банке. Система менеджмента качества компании соответствует требованиям ГОСТ ISO 9001.

Минимальные сроки поставки, гибкие цены, неограниченный ассортимент и индивидуальный подход к клиентам являются основой для выстраивания долгосрочного и эффективного сотрудничества с предприятиями радиоэлектронной промышленности, предприятиями ВПК и научно-исследовательскими институтами России.

С нами вы становитесь еще успешнее!

Наши контакты:

Телефон: +7 812 627 14 35

Электронная почта: sales@st-electron.ru

Адрес: 198099, Санкт-Петербург,
Промышленная ул, дом № 19, литера Н,
помещение 100-Н Офис 331